

SALFORD

I-1100 | I-1200 | I-2100 | I-2200 | I-4100 | I-4200

INDEPENDENT SERIES

SALFORD



INSIDE THE SALFORD INDEPENDENT SERIES.

Founded in 1978, Salford quickly forged a reputation for quality and durability with its line of conventional tillage equipment. As interest in conservation tillage and no-till practices grew, Salford diversified its tillage line with one of the first true vertical tillage machines ever made – the Independent Series I-1100, originally known as the Residue Tillage Specialist (RTS).

Equipped with the innovative Coil-Tech Coulter, engineered to carry independently mounted blades, the I-1100 provided a more efficient, less intrusive way to manage residue. Running the spring-loaded coulters across the ground at 8+ mph created vibrations that drove cracks into the hard pan, promoting deeper infiltration of surface moisture.

After a series of unforeseen residue management and seedbed preparation benefits, the durable I-1100 frame became the platform for a whole series of innovative tillage machines. These patented tools, combining independently mounted blades and multiple attachments, have come to be known as Salford's Independent Series.





TABLE OF CONTENTS

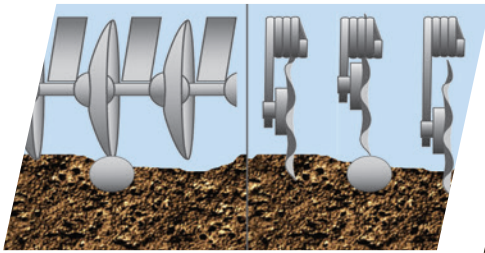
INDEPENDENTLY MOUNTED BLADES & COULTERS	4
FEATURES & OPTIONS	5
<hr/>	
I-1100	8
<hr/>	
I-1200	9
<hr/>	
I-2100	10
<hr/>	
I-2200	11
<hr/>	
I-4100	12
<hr/>	
I-4200	13
<hr/>	
HD HARROW PACKAGE	14
<hr/>	
SWITCHBLADE & HYDRAULIC TIP SHANK KITS	16
<hr/>	
SOIL SCIENCE & SEASONAL APPLICATIONS	18
<hr/>	
MODEL SPECIFICATIONS	20

INDEPENDENTLY MOUNTED

I-SERIES BLADES

Independent Series tools stand alone in their class with patented independent blade mounts, which offer superior performance, soil productivity, maintenance and longevity compared to traditional disk gangs.

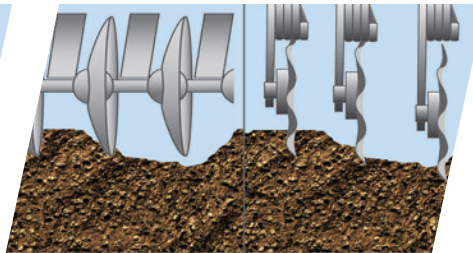
OBSTACLE PROTECTION



Disc Gangs: Forced to leave the ground entirely when one blade contacts an obstacle.

Independent Blade Mounts: Face obstacles individually to maintain high-speed operation without affecting other blades or damaging equipment. Individual mounts deflect from 5 - 7 inches.

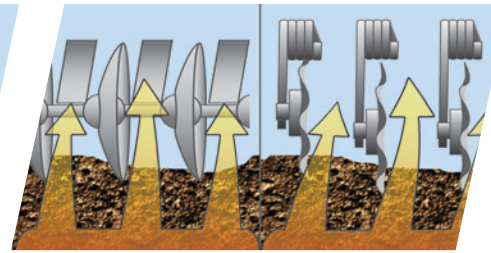
CONTOURING



Disc Gangs: Less weight per blade and gang dependent system can cause machine to ride up on top of tough crop residue or lose soil engagement.

Independent Blade Mounts: More weight per individually mounted coulters (I-2100 averages 440 lbs each) keeps all blades engaged.

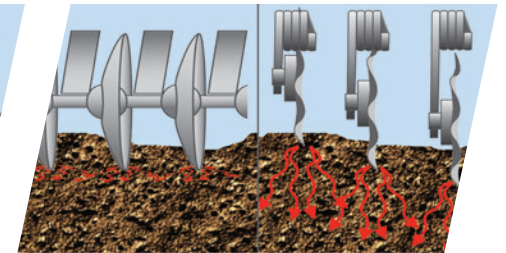
RESIDUE FLOW



Disc Gangs: Uses spools and scrapers that tend to plug and eventually wear out.

Independent Blade Mounts: High-clearance 5-bar frame with offset blade spacing allows for exceptional residue flow and is resistant to plugging. Coulters systems are simple and inexpensive to maintain.

POSITIVE COULTER VIBRATION



Disc Gangs: Creates little to no vibration while moving over the soil.

Independent Blade Mounts: Vibration in the blade mounting system (caused by speed) creates a jackhammer effect — fracturing the soil beyond the normal operating depth and helping to improve your soil's moisture and air storage capacity.



COIL-TECH COULTER I & COIL-TECH COULTER II

The patented Coil-Tech Coulter uses a heavy-duty coil spring to hold the hub and blade. The flexibility of the coil generates the compaction shattering "jackhammer" vibration. The coil's flex and ability to swivel provides unmatched obstacle protection. The Coil-Tech I Coulter is a 1 1/4-inch spring coil that holds a 4-bolt hub, 20-inch blades and is able to flex up to 5-inches.

The second generation Coil-Tech II Coulter is a 1 5/8 inch spring coil engineered for improved ground penetration and residue sizing. It is capable of more aggressive tillage. The Coil-Tech Coulter II holds a 5-bolt hub, 22 inch blades and is able to flex up to 7 inches.



Swivel:

Coil-Tech Coulters are designed to swivel side to side most often traveling around obstacles. Some coils are locked to prevent the machine from shifting and avoid contact with critical components.



Vertical Flex:

Vertical travel allows Coil-Tech Coulters to travel over obstacles and deliver compaction shattering vibration.



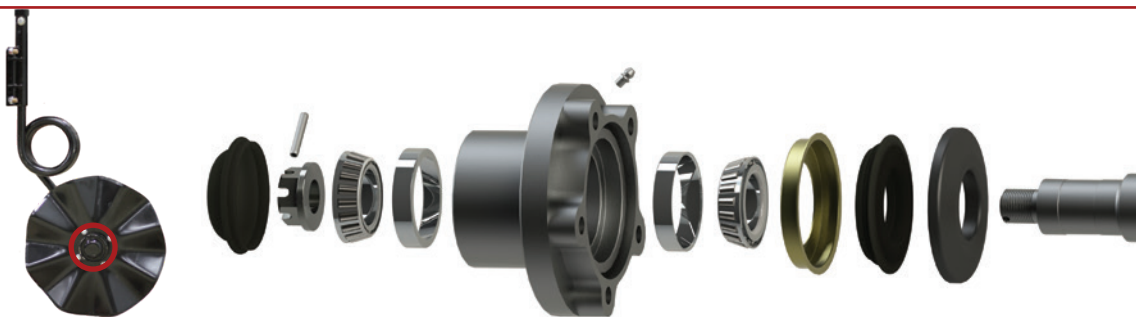
RUBBER COMPRESSION BLADE MOUNT

The I-4100, I-4200 use independent HD rubber compression blade mounts. This system was engineered to carry concave blades with the same high clearance, high speed operation as the Coil-Tech design. The Rubber Compression Blade Mount handles the additional force put on concave blades at high speeds and compound angles.

STANDARD FEATURES

Coil Tech Coulter Hub

Built tougher than competitors sealed bearing systems. The hub can be greased and serviced, allowing for a longer life and lower operating costs. A 100-hour grease interval means you don't spend long working on it. The double tapered cup and cone bearings handle side loads for operating in tough conditions. A multi-lip grease seal, grass wrap wear guard and blade scraper protect the hub and seals.



Salford Coil-Tech I models are equipped with a 4 bolt hub carrying a 20 inch blade.
Salford Coil-Tech II models are equipped with a 5 bolt hub carrying a 22 inch blade.



Boron Steel Blades
High quality boron steel blades for durability and longevity.



Single Point Depth Control
Makes it easy to adjust operating depth for varying field conditions or change from spring to fall tillage.



Hydraulic Level Lift Frame
Keeps the lifting cylinders in sync when changing depth and raising / lowering the machine. Eliminates the need for a rock shaft reducing the number of ages and wear parts.



All Tubular Frame and Welded End Caps
4 inch x 6 inch tubular steel frame and beam ends that are welded shut for increased durability and longevity.



Operator Convenience Center
Hydraulic hose storage, color-coded hydraulic hose grips and operator's manual organized at your fingertips.



Heat Treated Cast Clevis Hitch
Designed for durability and dependability, even at high speeds and in tough field conditions.

CUSTOM OPTIONS

Equip Salford I-Series tools or virtually any other implement with Valmar 56 series granular applicators for cover crop seeding and herbicide application.



Tire Upgrades

Main frame tire upgrades available for most model sizes. Wing frame tire upgrades available on some models.



Tow Hitches

Optional hitches with optional hydraulic lines. The "one person" hitch features light wiring and connects with ease.



Weight Kits

For optimum ground penetration in hard soil types or soils with low organic matter.



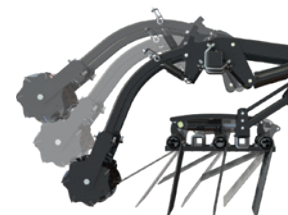
Broadcast Application

Apply and incorporate small seed and/or dry fertilizer in one pass. Coulters loosen soil to incorporate product as the rolling harrow gently firms soil to ensure placement.



SwitchBlade Shanks

Add these hydraulically engaged SwitchBlade shanks for chisel ripping or anhydrous application to I-2100 and I-2200 machines. Or, add these shanks to I-4100 and I-4200 machines for anhydrous application.



FlexFinish

Hydraulically adjustable finishing systems can be adjusted from the cab to change your finishing options on the go.



I-1100

OPERATING DEPTH RANGE	0 inches - 4 inches
BLADE MOUNT	1 1/4 inch Coil-Tech Coulter I
BLADE TYPE	20 inches x 4.5mm 8 wave (2 inch deep wave) 13 wave (1 1/4 inch deep wave)
BLADE SPACING	7.5 inch
VERTICAL TRAVEL	6 inches
OPERATING SPEED	8 – 12 mph

COMPLETE SPECIFICATIONS ON PAGE 20

THE ORIGINAL VERTICAL TILLAGE

SAVE TIME From zero till to conservation till – with light to medium soils and medium to high residue – the I-1100 operates at speeds between 8 and 12 mph.

CONSERVATION CHAMPION The I-1100's 7.5-inch blade spacing creates a mulch finish and warms spring soil, while maintaining soil structure to prevent erosion.

KEEP SOIL STRUCTURE INTACT While managing residue and leveling the field surface I-Series tools loosen the ground but maintaining soil structure. This allows plants to develop deeper roots in the cracked and loosened sub-soil. This leaves sprayers and combines with a solid, aggregate base to ride on, reducing ruts and horse power required.



I-1200

SUPERIOR SEEDBED PREPARATION

TRUE VERTICAL TILLAGE 5-inch blade spacing gives the I-1200 forty percent more blades and more weight compared to the I-1100. The I-1200 delivers superior surface tillage and residue management with leveling power to improve other field operations.

SHATTER COMPACTION The I-1200's spring-loaded Coil-Tech coulters loosen compaction for improved root development and increased moisture storage.

IMPROVE HIGH SPEED PLANTER PERFORMANCE The tighter blade spacing and leveling power of the I-1200 model leaves a smooth surface that improves spraying, harvesting and planting operations by creating a level surface for a smoother ride.

OPERATING DEPTH RANGE	0 inches - 4 inches
BLADE MOUNT	1 1/4 inch Coil-Tech Coulters I
BLADE TYPE	20 inches x 4.5mm 8 wave (2 inch deep wave) 13 wave (1 1/4 inch deep wave)
BLADE SPACING	5 inch
VERTICAL TRAVEL	6 inches
OPERATING SPEED	8 -12 mph

COMPLETE SPECIFICATIONS ON PAGE 20



I-2100



OPERATING DEPTH RANGE	0-inches - 4-inches
BLADE MOUNT	Coil-Tech Coulter II: 1 5/8-inch diameter coil
BLADE TYPE	22-inches x 5mm 8-wave (2 1/2-inch deep wave) 13-wave (1 3/4-inch deep wave)
BLADE SPACING	7.5-inches
VERTICAL TRAVEL	6-inches
OPERATING SPEED	8 -12 mph

COMPLETE SPECIFICATIONS ON PAGE 21

TRUE VERTICAL TILLAGE

GO DEEPER The I-2100's Coil-Tech II carries larger 5 bolt hubs and 22-inch blades to penetrate deeper into tougher ground conditions.

ANY SOIL, ANY SEASON Manage fall residue and prepare spring seedbeds in wet or dry soils with no risk of plugging with the I-2100.

COVER MORE GROUND At an acre per hour, per foot, the I-2100 gets the job done faster.

ADD SWITCHBLADE SHANKS With SwitchBlade hydraulic shanks, the I-2100 converts from vertical tillage to fertilizer applicator or coulter chisel in seconds.



 **SWITCHBLADE SHANK
COMPATIBLE**

I-2200

VERTICAL POWER HOUSE

SUPERIOR FINISH – In spring or fall, the I-2200’s heavy Coil-Tech Coulter II and tight 5 inch spacing creates fine seedbeds and shreds tough fall residue. The Coil-Tech Coulter II carries larger 5 bolt hubs and 22 inch blades to penetrate deeper into tougher ground conditions.

LEVEL THE FIELD – The I-2200’s larger blades and tighter spacing move more soil for field leveling while they mulch fall residue and prepare spring seedbeds for high speed planting.

ADD SWITCHBLADE SHANKS – With SwitchBlade hydraulic shanks, the I-2200 converts from vertical tillage to fertilizer applicator or coulter chisel in seconds.

OPERATING DEPTH RANGE	0 inches - 4 inches
BLADE MOUNT	Coil-Tech Coulter II: 1 5/8 inch diameter coil
BLADE TYPE	22 inches x 5mm 8 wave (2 ½ inch deep wave) 13 wave (1 ¾ inch deep wave)
BLADE SPACING	5-inches
VERTICAL TRAVEL	6-inches
OPERATING SPEED	8 - 12 mph

COMPLETE SPECIFICATIONS ON PAGE 21



I-4100

 **SWITCHBLADE SHANK
COMPATIBLE**

OPERATING DEPTH RANGE	0 inches - 4 inches
BLADE MOUNT	First two rows: Rubber suspension Last two rows: Coil-Tech II
BLADE TYPE	22 in. x 5 mm First two rows: Shallow Concave Last two rows: Coulters 8 wave (2 1/2 inch deep wave)
BLADE SPACING	7.5-inches
VERTICAL TRAVEL	5-inches
OPERATING SPEED	8 - 12 mph

COMPLETE SPECIFICATIONS ON PAGE 22

HYBRID VERTICAL TILLAGE

GO TWO BY TWO – With the I-4100, two rows of concave disc blades split by two rows of coulters allow for more aggressive tillage than wavy coulters alone.

SPRING OR FALL – The I-4100's front rows of concave blades move more soil to smooth fall ruts and in the spring, they help to create a more even seedbed for accurate high-speed planting.

COVER MORE GROUND – At an acre per hour, per foot, the I-4100 gets the job done faster.

ADD SWITCHBLADE SHANKS – With SwitchBlade hydraulic shanks, the I-4100 converts from vertical tillage to fertilizer applicator in seconds.



 **SWITCHBLADE SHANK
COMPATIBLE**

I-4200

HYBRID VERTICAL TILLAGE

ONE PASS FINISH – Concave blades in the front and more wavy coulters in the rear rows match the effects of both light discing and true vertical tillage in one pass. The I-4200 is simply one of greatest soil finishers on the market.

LEVELING POWER – The I-4200’s 5-inch blade spacing and the front rows of concave blades deliver additional leveling power to smooth fall ruts and create a more even seedbed for accurate high speed planting in the spring.

SUPERIOR SEEDBED – The I-4200’s tight coulters spacing and front rows of concave blades mulch and evenly bury more residue for more rapid uniform decomposition that does not leave bunches of residue in the seedbed.

OPERATING DEPTH RANGE	0 inches - 4 inches
BLADE MOUNT	First two rows: Rubber suspension Last two rows: Coil-Tech II
BLADE TYPE	22 in. x 5 mm Shallow concave & wavy coulters 8 wave (2 ½ inch deep wave)
BLADE SPACING	Overall net 5 inch, Concave blades 15 inches
VERTICAL TRAVEL	5-inches
OPERATING SPEED	8 - 12 mph

COMPLETE SPECIFICATIONS ON PAGE 22

FLEX FINISH

FLEX FINISH hydraulically adjustable finishing systems allow operators to adapt to field conditions on the fly by adjusting the rolling basket pressure, tine pitch, or both right from the tractor cab.

HYDRAULICALLY ADJUSTABLE ROLLING BASKET

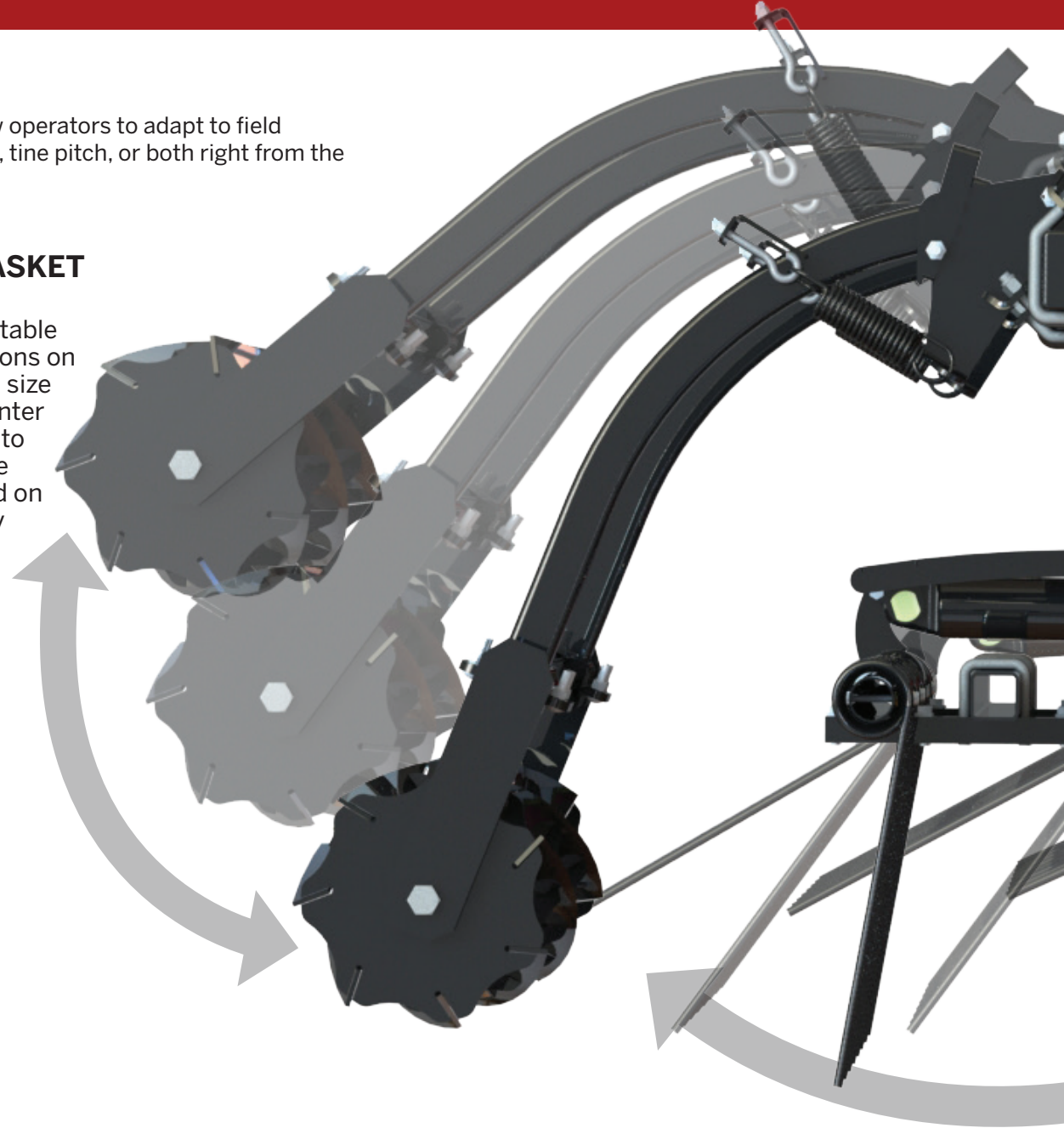
An optional upgrade, the Flex Finish hydraulically adjustable rolling basket allows operators to adjust to field conditions on the go. Increase the basket pressure to reduce soil clod size and create finer seedbeds that improve high-speed planter performance. Or reduce the basket pressure in the fall to leave larger soil clods that hold onto snow and moisture and are less likely to erode. A pressure indicator located on the front of the machine gives the operator full visibility to the basket pressure right from the cab.

HYDRAULICALLY ADJUSTABLE TINES

An optional upgrade, the Flex Finish hydraulically adjustable tines allow the tines to be adjusted hydraulically while in operation to match field conditions exactly.

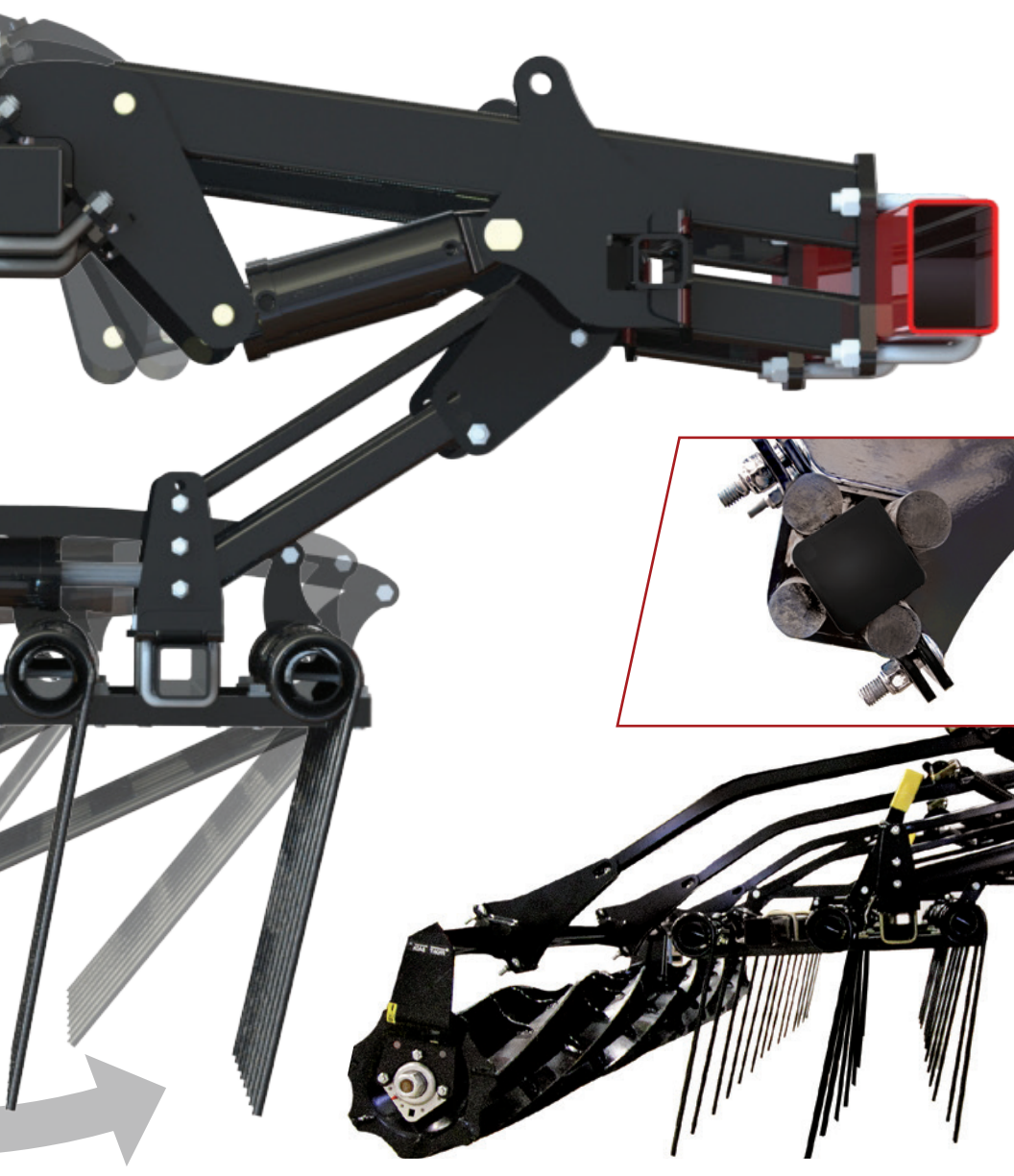
The tines can be set fully forward to fill ruts and perform maximum leveling. In the most relaxed position, the tines will lightly follow ground contours and gently distribute crop residue for an even field finish.

*FlexFinish hydraulic finishing options are only available on select Independent Series models.



FLEX FINISH DESIGN

I-SERIES



FINISH FIRST, STANDARD 14-INCH ROLLING BASKETS

Independent Series rolling harrows are 14 inches in diameter to provide optimal operation at high speeds. The 14-inch rolling harrows provide improved re-sizing of soil clods and help to condition and anchor residue to the surface, helping to reduce erosion. The reinforced steel construction and 1.5-inch triple seal bearing resist rock damage, even at high speeds. Five individual down pressure settings adjust quickly with a tool provided in your harrow kit.

I-Series tools now come equipped with rubber torsion suspension for the rolling baskets making these tools even more durable. Kits are available to retrofit existing I-Series tools with these extra durable rolling basket arms.

LEVEL THE FIELD, THREE BAR 20-INCH TINES

Available with the standard 14-inch rolling basket as well as the **Flex Finish** Hydraulically Adjustable Rolling Basket, three rows of durable ½ inch dia. x 20-inch tines level and distribute residue. Tine harrows are mounted on a parallel linkage for maximum down pressure and contouring. Multiple pitch settings allow for maximum leveling performance. Relax the tines with the tool-less adjustment for exceptional residue distribution and residue flow from the highest yielding crops.

SWITCHBLADE SHANK KITS + SEED/FERTILIZER ATTACHMENTS*

SWITCHBLADE SHANK KITS: 1 + 1 = 3

Adding a SwitchBlade shank kit* to your Independent Series equipment gives you three machines in one: true vertical tillage, a fertilizer applicator and a coulter chisel. This is a highly cost-effective alternative to buying three machines.

Equip your machine with shanks on 15 or 30-inch spacing for chisel operation, then lift every second shank for 30-inch fertilizer application.

SUPERIOR ANHYDROUS APPLICATION WHILE MANAGING RESIDUE AND PREPARING SEEDBEDS

The vibration of the Independent Series Coil-Tech coulters loosens soil and creates cracks that anhydrous gas can seep into, creating more even application.

Each shank is led by a coulter to cut residue and minimize plugging. Shanks are also trailed by coulters on either side to begin closing the trench almost immediately. Within seconds the HD tine harrow crosses over the shank path, further sealing the gas pocket, leveling and evenly distributing soil and residue across the width of the machine. The 14-inch roller follows, sizing clods and gently firming the surface, completing the seal.

The application shank leaf and chisel shank leaf are compatible with a wide range of industry standard points and knives to match the soil disturbance you need and deliver gas, liquid or dry fertilizer.

*Shanks not available on I-1100, I-1200 models. Chisel shanks not available on I-4100 or I-4200.



SWITCHBLADE SHANKS

I-SERIES

INDEPENDENT SERIES ATTACHMENTS: FERTILIZER AND SEED DELIVERY

Independent Series tools can be equipped with air distribution and excel at incorporating seed and fertilizer via coulter mounted banding tubes, broadcast diffusers or both methods at the same time.

- **RIGHT TIME** - Work fast and open the window to a wider range of operating conditions so you can apply fertilizer at the right time.
- **RIGHT PLACE** - Incorporate at a uniform depth and gently firm the soil to ensure product is at the right place.
- **RIGHT RATE** - The accurate metering systems in Salford commodity carts are designed to handle a wide range of products to deliver the product you choose at the right rate.
- **RIGHT PRODUCT** Choose shallow or deep banding or broadcast incorporation to apply the right product in the fall or pre-plant in the spring.
- **LOW DISTURBANCE INCORPORATION** I-Series tools can apply and incorporate seed and fertilizer while maintaining overall soil density in order to minimize erosion on highly erodible land.



BROADCAST DIFFUSER: Allows for accurate incorporation and complete field coverage with seed or fertilizers.



SOIL SCIENCE

Three systems, physical, biological and chemical, work together to make soil productive. Soil scientists agree that the physical condition of soil is the key to efficient biological and chemical activity, which in turn determines how much plant life the soil can support.

SOIL TILTH: WHY COMPACTION IS THE FARMER'S #1 ENEMY

Soil tilth is a measurement of the balance between basic soil elements: air, mineral, water, and organic matter. The proper balance of these elements increases soil production by allowing efficient interaction of all the soil systems. Air and water balance in the soil is the key to good root growth.

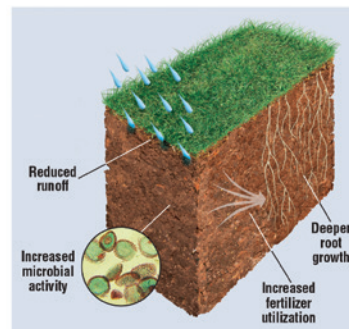
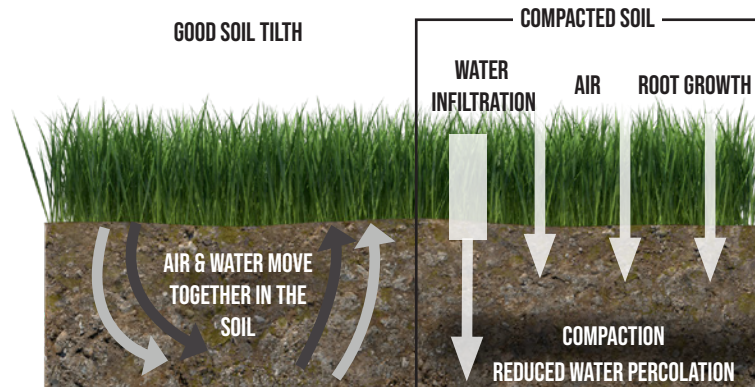
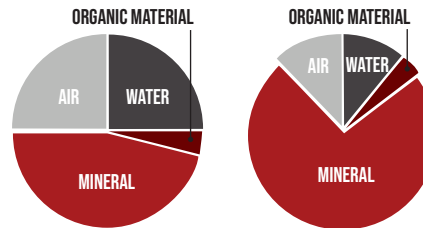
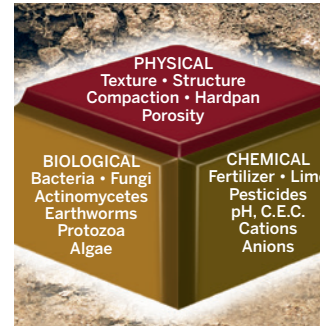
Compaction stresses plants because air and water are "squeezed" from the soil. Biological and chemical activities which depend on air and water become severely restricted. Root growth is impaired, crop production suffers.

AIR AND WATER MOVE TOGETHER

Correcting compaction makes a dramatic improvement in soil tilth. It is the most basic step you can take to improve crop production.

That's because air and water move together in the soil profile. With proper air / water balance in the soil, all the biological and chemical systems work at peak efficiency.

Compaction makes both wet and dry soil conditions more severe. It reduces the water holding capacity of soil which makes drought conditions worse, and inhibits drainage to make wet conditions more troublesome.



APPLICATIONS

SEASONAL APPLICATIONS

Independent Series tools help reduce operating costs compared to conventional tillage, while at the same time improving the productivity of your soil through better management of yield limiting factors.

Independent Series tools give you the versatility to perform multiple applications including:

- Cover Crop Management
- Crust Breaking
- Mixing Herbicides, Fertilizers and Manure
- Stalk Chopping
- Preparing Seedbeds in Conventional, Conservation & No-Till Farming Systems

SPRING APPLICATIONS

- Uniformly size and distribute residues to improve seeding equipment performance
- Loosen seedbed to improve seed-to-soil contact and germination and promote rapid early plant growth
- Shatter crust formed after planting and improve seedbed
- Boost weed control by causing early germination of weed seeds to allow for more complete burn down

Fall applications

- Residue management prior to primary tillage
- Cut and condition residue to assist with insect and disease habitat destruction
- Leveling and distribution of crop residue
- Speed up the decay of crop residue by promoting increased microbial activity
- Help balance the nitrogen/carbon levels in soil
- Help germinate weeds and volunteer crops to maximize winter kill and improve the effects of herbicides

MOISTURE MANAGEMENT

- Evaporate excess surface moisture and increase the rate of soil warming to allow for earlier planting
- Break up any soil crusting to release excess soil moisture without disturbing the wet soil below
- Maintain residue coverage to prevent moisture evaporation, slow run off and prevent erosion
- Manage and increase soil organic matter content to capture and store more moisture
- Increase water infiltration by loosening soil bulk density
- Increase water infiltration by maintaining sub-soil habitat for soil organisms
- Maintain residue coverage to reduce moisture evaporation

SEEDING & FERTILIZER ATTACHMENTS

- Application and incorporation of liquid and dry fertilizers (including NH₃)
- Broadcast and incorporation of seed such as cereals, canola, hay and pasture crops
- Assist in the management of cover crops
- Mixing of manure and fertilizers

PASTURE RENOVATION

- Equip with seed distribution to cover seed pasture
- Dethatch and aerate pasture to improve pasture health and encourage new growth

COMPACTION AND ROOT DEVELOPMENT

Salford I-2100 tillage on the left and traditional soil finisher on the right.

Photo courtesy of Craig Paulek, Pistorius Farms - Blue Mound, IL



I-SERIES MODEL SPECIFICATIONS



I-1100 SPECIFICATIONS

Size	Frame Sections	Number of Coulters*	Transport Height	Transport Width	Approx. Lbs. with harrows	H.P. Required*
12'	1	19	No wings	13'3"	7,400	120 - 140
16'	3- Flat fold	25	10'	10'	9,500	160 - 190
20'	3	33	11'2"	13'3"	12,200	200 - 240
24'	3	37	12'8"	13'3"	14,400	240 - 290
28'	3	45	13'	15'8"	17,400	280 - 340
31'	3	49	14'6"	15'8"	18,100	310 - 370
36'	3	57	14'2"	21'	21,900	360 - 430
41'	3	65	16'6"	21'	23,300	410 - 490
41'	5 Bi-fold	65	13'6"	18'9"	28,700	410 - 490
50'	5 Bi-fold	79	14'3"	19'	33,600	500 - 600+
60'	5 Bi-fold	97	15'8"	21'10"	39,200	600+

I-1200 SPECIFICATIONS

Size	Frame Sections	Number of Coulters*	Transport Height	Transport Width	Approx. Lbs. with harrows	H.P. Required*
12'	1	29	No wings	13'3"	8,400	120 - 140
16'	3- Flat fold	37	10'	10'	11,400	160 - 190
20'	3	49	11'2"	13'3"	13,400	200 - 240
24'	3	57	12'8"	13'3"	16,000	240 - 290
28'	3	69	13'	15'8"	19,200	280 - 340
31'	3	73	14'6"	15'8"	19,900	310 - 370
36'	3	85	14'2"	21'	24,300	360 - 430
41'	3	97	16'6"	21'	31,000	410 - 490
41'	5 Bi-fold	97	13'6"	19'	26,100	410 - 490
50'	5 Bi-fold	119	14'3"	19'	36,700	500 - 600+
60'	5 Bi-fold	145	15'8"	21'10"	43,000	600+

* Horsepower requirements vary by speed and operating depth. Transport dimensions include harrows.

I-2100 SPECIFICATIONS

Size	Frame Sections	COIL-TECH II Number of Coulters*	Transport Height	Transport Width	Approx. Lbs. with harrows	H.P Required*	SwitchBlade 1,300lb Hyd. Shank Kits			
							15" Spacing		30" Spacing	
							# of Shanks	Fertilizer Coverage	# of Shanks	Fertilizer Coverage
12'	1	19	No wings	13'3"	8,000	140 - 170	9	11'3"	5	12'
16'	3 Flat Fold	25	10'	10'	11,400	190 - 220	11	13'9"	6	15'
20'	3	33	11'2"	13'3"	15,700	240 - 280	15	16'3"	8	17'6"
24'	3	37	12'8"	13'3"	16,200	290 - 340	17	21'3"	9	22'6"
28'	3	45	13'	15'8"	19,700	340 - 390	21	26'3"	11	27'6"
31'	3	49	14'6"	15'8"	20,500	370 - 430	23	28'9"	12	30'
36'	3	57	14'2"	21'	24,700	430 - 500	27	33'9"	14	35'
41'	3	65	16'6"	21'	26,600	490 - 570	31	38'9"	16	40'
41'	5 Bi-fold	65	13'6"	19"	31,900	490 - 570	31	38'9"	16	40'
50'	5 Bi-fold	79	14'3"	19'	37,500	600+	39	48'9"	19	47'6"
60'	5 Bi-Fold	97	15'8"	21'10"	44,100	600+	47	58'9"	23	57'6"

I-2200 SPECIFICATIONS

Size	Frame Sections	COIL-TECH II Number of Coulters*	Transport Height	Transport Width	Approx. Lbs. with harrows	H.P Required*	SwitchBlade 1,300lb Hyd. Shank Kits			
							15" Spacing		30" Spacing	
							# of Shanks	Fertilizer Coverage	# of Shanks	Fertilizer Coverage
12'	1	29	No wings	13'3"	10,200	140 - 170	-	-	-	-
16'	3	37	10'	10'	14,000	190 - 220	-	-	-	-
20'	3	49	11'2"	13'3"	17,000	240 - 280	15	16'3"	8	17'6"
24'	3	57	12'8"	13'3"	19,000	290 - 340	17	21'3"	9	22'6"
28'	3	69	13'	15'8"	23,700	340 - 390	21	26'3"	11	27'6"
31'	3	73	14'6"	15'8"	24,400	370 - 430	23	28'9"	12	30'
36'	3	85	14'2"	21'	30,000	430 - 500	27	33'9"	14	35'
41'	3	97	16'6"	21'	36,800	490 - 570	31	38'9"	16	40'
41'	5 Bi-fold	97	13'6"	18'9"	32,300	490 - 570	31	38'9"	16	40'
50'	5 Bi-fold	119	14'3"	19'	47,170	600+	39	48'9"	19	47'6"

* Horsepower requirements vary by speed and operating depth. Transport dimensions include harrows. Shank kits require an additional average of 3 horsepower per shank.

** 5 Section bi-fold frame

I-4100 SPECIFICATIONS

Size	Frame Sections	COIL-TECH II Number of Coulters*	Transport Height	Transport Width	Approx. Lbs. with harrows	H.P Required*	SwitchBlade 1,300lb Hyd. Shank Kits			
							15" Spacing		30" Spacing	
							# of Shanks	Fertilizer Coverage	# of Shanks	Fertilizer Coverage
12'	1	9/10	no wings	13'3"	8,400	140 - 170	-	-	-	-
16'	3 Flat Fold	11/14	10'	10'	12,200	190 - 220	11	13'9"	6	15'
20'	3	15/18	11'2"	13'10"	14,700	240 - 280	15	16'3"	8	17'6"
24'	3	17/20	12'8"	13'10"	16,300	290 - 340	17	21'3"	9	22'6"
28'	3	21/24	13'	15'8"	19,900	340 - 390	21	26'3"	11	27'6"
31'	3	23/26	14'6"	15'8"	20,800	370 - 430	23	28'9"	12	30'
36'	3	27/30	14'2"	21'	24,900	430 - 500	27	33'9"	14	35'
41'	3	31/34	16'6"	21'	27,100	490 - 570	31	38'9"	16	40'
41'	5 Bi-fold	31/34	13'6"	18'9"	32,300	490 - 570	31	38'9"	16	40'
50'	5 Bi-fold	39/40	14'3"	19'	37,800	600+	39	48'9"	19	47'6"
60'	5 Bi-Fold	47/50	15'8"	21'10"	44,600	600+	-	-	-	-

I-4200 SPECIFICATIONS

Size	Frame Sections	COIL-TECH II Number of Coulters*	Transport Height	Transport Width	Approx. Lbs. with harrows	H.P Required*	SwitchBlade 1,300lb Hyd. Shank Kits			
							15" Spacing		30" Spacing	
							# of Shanks	Fertilizer Coverage	# of Shanks	Fertilizer Coverage
12'	1	9/20	No wings	13'3"	10,500	140 - 170	-	-	-	-
16'	3	11/26	10'	10'	14,300	190 - 220	11	13'9"	6	15'
20'	3	15/34	11'2"	13'10"	17,400	240 - 280	15	16'3"	8	17'6"
24'	3	17/40	12'8"	13'3"	19,650	290 - 340	17	21'3"	9	22'6"
28'	3	21/48	13'	15'8"	24,100	340 - 390	21	26'3"	11	27'6"
31'	3	23/50	14'6"	15'8"	24,800	370 - 430	23	28'9"	12	30'
36'	3	27/58	14'2"	21'	30,500	430 - 500	27	33'9"	14	35'
41'	3	31/66	16'6"	21'	32,800	490 - 570	31	38'9"	16	40'
41'	5 Bi-fold	31/66	13'6"	18'9"	37,250	490 - 570	31	38'9"	16	40'
50'	5 Bi-fold	39/80	14'3"	19'	47,650	600+	39	48'9"	19	47'6"

* Horsepower requirements vary by speed and operating depth. Transport dimensions include harrows. Shank kits require an additional average of 3 horsepower per shank.

** 5 Section bi-fold frame





See our full line of products and find your local dealer at salfordgroup.com or call 1-866-442-1293


@salfordgroup

Products and specifications subject to change without notice and without liability therefore. Images may include optional equipment. Salford® is a registered trademark of Salford Group Inc. Copyright©2023 Salford Group Inc. 2023.03 # 10016967- LITERATURE, SALFORD, INDEPENDENT SERIES



SALFORD Field your best.

ONTARIO, CANADA OSCEOLA, IOWA CORNELIA, GEORGIA ELIE, MANITOBA