

CrossFire

SXR & SXL SERIES



Rear Discharge Spreader • 1,355 - 2,617 Gallons



SXR500 CrossFire
2,424 gallons

*Turning Manure, Litter & other Byproducts
into a Manageable Resource*



SXL2636 CrossFire
(single axle pictured)
1,355-1,745 gallons



SXR400 CrossFire
1,870-2,150 gallons



SXL3954 CrossFire
2,033-2,617 gallons



ACCURATE APPLICATION • SUPERIOR PERFORMANCE



Pen Packed Manure • Liquid Manure • Poultry Litter
Sand Bedded Manure • Sludge Products • Municipal Waste

Farm Equipment Buyers Trust The Name Meyer!





SXL3954 CrossFire

SXL CrossFire "Low Profile" Design

MODELS	CAPACITY
SXL2636	260 bushel / 1,355 gallons w/o ext
	360 bushel / 1,745 gallons w/9" ext
SXL3954	390 bushel / 2,033 gallons w/o ext
	540 bushel / 2,617 gallons w/9" ext

All SXL & SXR CrossFire Models provide Superior Spread Performance

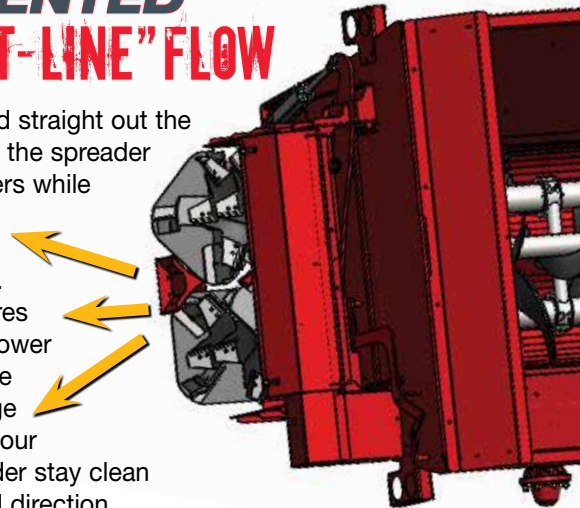
- Redesigned discharge system provides a wider, more consistent pattern while reducing maintenance & adjustment.
- CrossFire patterns generally range from 20-40' wide depending on material density.
- Auger speed adjustment options available
- Wind drift is a non-factor (unlike side delivery spreaders).

NEW CROSSFIRE

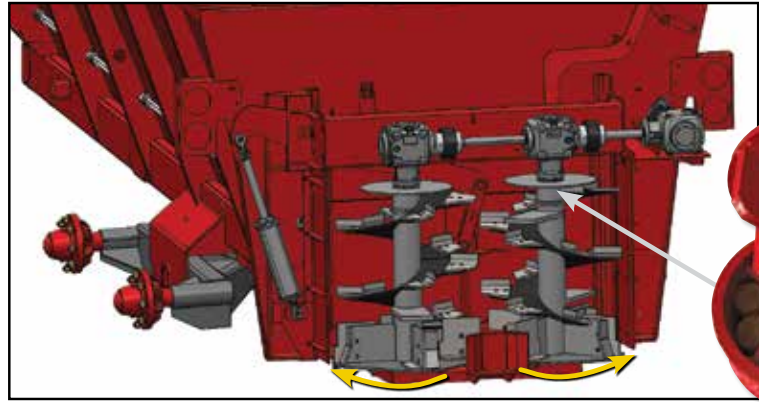
ADVANTAGE - REDESIGNED

PATENTED "STRAIGHT-LINE" FLOW

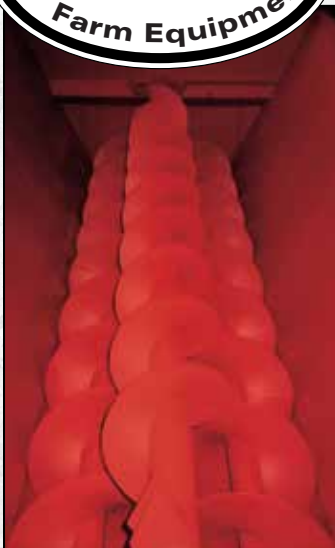
Material is directed straight out the large back gate of the spreader by two lower augers while the upper auger runs forward to eliminate bridging. This system requires much less horsepower and unloading time than side discharge spreaders - plus your tractor and spreader stay clean regardless of wind direction.



AGGRESSIVE, SHAFT DRIVEN DISCHARGE



FEATURES ON SXL & SXR



< All Meyer CrossFire Spreaders feature **three augers** constructed of **massive sectional flighting**. Wider upper tank width makes for easier loading. **Steep tank sides** constructed of heavy gauge, rust resistant steel eliminate bridging!

< A "T-Post" Auger Hold-Down System creates a larger opening for foreign objects to pass through.

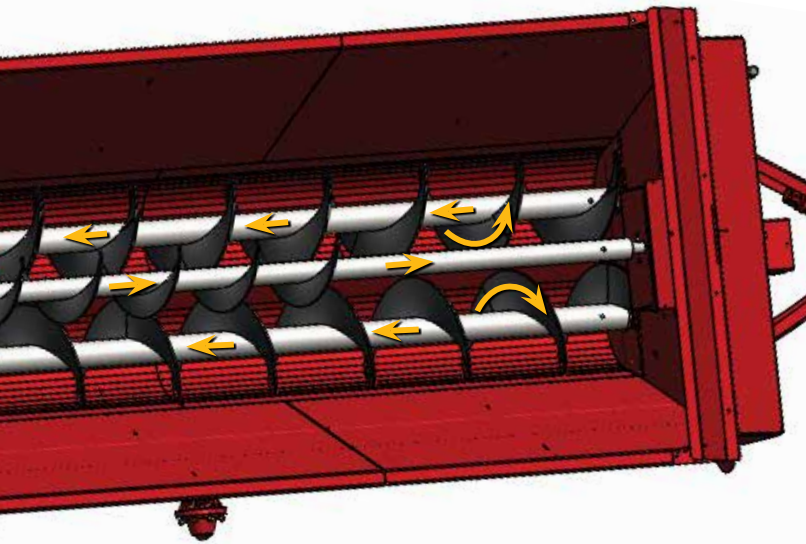


▲ Individual Bottom Auger Shear Hub Protection safe guards your investment and allows you to unload even with one auger obstructed. Standard on all CrossFires.

< This Hinged Clean-Out Panel provides quick access to both sides of the discharge area for easy scraping!

FROM MEYER!

REAR DISCHARGE



Driveline Features

- Chain Oiler automatically activated when you cycle rear tailgate
- Simple, Efficient Drive
- Independent, Lower Auger Shear Protection

Shock-Load Coupler System

- This rubber isolator mounts between the gearbox output & expellers, providing driveline protection from everyday stresses, adding life to your spreader.



SXR400 CrossFire

SXR CrossFire

MODELS	CAPACITY
SXR400	400 bushel / 1,870 gallons w/o ext
	465 bushel / 2,150 gallons w/ 4" ext
SXR500	500 bushel / 2,424 gallons



SXR CrossFire SPREADERS



< **New Helical Expeller Design & Reversed Expeller Rotation** provide exceptional performance in a variety of materials. Replaceable, hardened paddles require less expense & maintenance compared to pivoting hammers.



< **Robust axle designs** on CrossFire models feature sleeved spindles and HD components. SXL models feature a low-profile system to maximize load height.



▲ An optional **Hydraulic Lid** is available. The lid provides cleaner transportation and less odor pollution. Right or left opening. (Shown with standard port hole.) Available for SXL2636, SXL3954 and SXR500 only.

SXR pictured

MEYER CROSSFIRE DIMENSIONS & SPECIFICATIONS

MODELS	SXL2636	SXL3954T	SXL3954 Truck Mount	SXR400T	SXR500T	SXR500 Truck Mount
CAPACITY						
Bushels (heaped) - No Ext.	260	390	390	400	500	500
Bushels (heaped) - With Ext.	360 (9" ext.)	540 (9" ext.)	540 (9" ext.)	465 (4" ext.)	N/A	N/A
Gallons/Cubic Feet (struck) - No Ext.	1355/181	2033/272	2033/272	1870/250	2433/324	2433/324
Gallons/Cubic Feet (struck) - With Ext.	1745/233 (9" ext.)	2617/350 (9" ext.)	2617/350 (9" ext.)	2150/280 (4" ext.)	N/A	N/A
DIMENSIONS						
Overall Length	20'	26'	N/A	23'	23' 7-1/2"	N/A
Inside Tank Length	12'	18'	18'	15'	15'	15'
Loading Height	58-3/4" W/14L x 16.1	61-3/4" W/16.5L x 16.1	47-1/2" + Truck	66-3/4" W/14L x 16.1	77" W/16.5L x 16.1	60-1/4" + Truck
Loading Height With Ext.	67-3/4" W/14L x 16.1	70-3/4" W/16.5L x 16.1	56-1/2" + Truck	70-3/4" W/14L x 16.1		N/A
Overall Height-Top of Splashguard	69-1/4" W/14L x 16.1	72-1/4" W/16.5L x 16.1	58" + Truck	74-1/4" W/14L x 16.1	85-3/4" W/16.5L x 16.1	68-7/8" + Truck
*Height With Optional Tire	+1-1/2" W/16.5L x 16.1	+1" W/19L x 16.1	N/A	+1-1/2" W/16.5L x 16.1	+1" W/19L x 16.1	N/A
Overall Width - Outside Tires	86-3/4" W/14L x 16.1 91-3/4" W/16.5L x 16.1 +11" W/Tandem Axle	104" W/16.5L x 16.1 107-3/4" W/19L x 16.1	N/A	96-1/2" W/14L x 16.1 101-1/2" W/16.5L x 16.1	103" W/16.5L x 16.1 106-3/4" W/19L x 16.1	N/A
Width - Top of Tank	74"	74"	74"	77"	84.5"	84.5"
SPECIFICATIONS						
Total Weight (estimated lbs.)	6,900# Single Axle 7,840# Tandem Axle	9,720#	N/A	8,210#	9,220#	N/A
Maximum Load Net (lbs)	Single Axle - 10,000# Tandem Axle - 18,000#	24,000#	N/A	18,000#	24,000#	N/A
Lower Auger Diameter	20"	20"	20"	20"	20"	20"
Lower Auger Flighting Thickness	3/8" Sectional	3/8" Sectional	3/8" Sectional	3/8" Sectional	3/8" Sectional	3/8" Sectional
"Independent Lower Auger Shear Hub Sprockets"	Standard	Standard	Standard	Standard	Standard	Standard
3rd Auger (solid material)	Standard	Standard	Standard	Standard	Standard	Standard
Drive - PTO-RPM	540 RPM - 1 3/8" Constant Velocity	540 RPM - 1 3/8" Constant Velocity	PTO Direct - Standard Hydraulic - Optional	540 RPM - 1 3/8" Constant Velocity	540 RPM - 1 3/8" Constant Velocity	PTO Direct - Standard Hydraulic - Optional
Drive Line Protection	Overrunning-Torque Disconnect Clutch w/Shear Bolt Auger Protection	Overrunning Torque Disconnect Clutch w/Shear Bolt Auger Protection	Overrunning Torque Disconnect Clutch (PTO Version) w/Shear Bolt Auger Protection	Overrunning Torque Disconnect Clutch W/Shear Bolt Auger Protection	Overrunning Torque Disconnect Clutch W/Shear Bolt Auger Protection	Overrunning Torque Disconnect Clutch (PTO Version) W/Shear Bolt Auger Protection
Roller Chain Drive - Auger	#80 - #120	#80 - #120	#80 - #120	#80 - #120	#80 - #120	#80 - #120
Roller Chain Drive - Expeller	#80	#80	#80	#80	#80	#80
Roller Chain Auto Oiler	Standard	Standard	Standard	Standard	Standard	Standard
Expeller Speed (RPM)	660	660	660	660	660	660
Expeller Diameter	23"	23"	23"	23"	23"	23"
TANK CONSTRUCTION						
Thickness - Auger Troughs	3/16"	3/16"	3/16"	3/16"	3/16"	3/16"
Thickness - Tank Sides	3/16"	3/16"	3/16"	3/16"	3/16"	3/16"
Frame Construction	HD Formed Channel	HD Formed Channel	HD Formed Channel	HD Formed Channel	HD Formed Channel	HD Formed Channel
Door Opening	30" x 46"	30" x 46"	30" x 46"	30" x 46"	30" x 46"	30" x 46"
Spindle Size	2 3/4" Sleeved	3" Sleeved	N/A	2 3/4" Sleeved	3" Sleeved	N/A
Hub	8 Bolt	8 Bolt	N/A	8 Bolt	8 Bolt	N/A
Splash Shields - Standard	Flat (Low Clearance)	Flat (Low Clearance)	Flat (Low Clearance)	Flat (Low Clearance)	Angled	Angled
Transport Light w/Ag Plug	Standard LED	Standard LED	Standard LED	Standard LED	Standard LED	Standard LED
Tractor Requirements-PTO HP (Min.)	75	110		95	110	
OPTIONS						
1000 RPM 1 3/8" - 21 spline	Optional	Optional	N/A	Optional	Optional	N/A
Tandem Axle	Optional	Standard	N/A	Standard	Standard	N/A
HD Axle Package	N/A	Optional	N/A	Optional	Optional	N/A
7-1/2" Extended Hitch (for dual wheeled tractors)	Optional	Optional	N/A	Optional	Standard	N/A
Hydraulic Lid	N/A	Optional	Optional	N/A	Optional	Optional
Poultry Litter Package	Optional	Optional	Optional	Optional	Optional	Optional
Scale Package	N/A	Optional	N/A	N/A	Optional	N/A
Safety Chain / SMV Sign	Optional	Optional	N/A	Optional	Optional	N/A
Truck Mount Version	N/A	Optional	PTO Direct - Standard Hydraulic - Optional	N/A	Optional	PTO Direct - Standard Hydraulic - Optional



YOUR DEALER IS:

**American Made
- American Owned
for 75 years**

Model & Specifications subject to change without notice or obligation.

Farm Equipment Buyers Trust The Name Meyer!

Meyer Mfg. Corp. • Dorchester, Wisconsin 54425 • 715/654-5132 • FAX: 715/654-5513

1-800-325-9103

email: sales@meyermfg.com • home page: www.meyermfg.com

