

KD602

Power Angle Dozer Blade



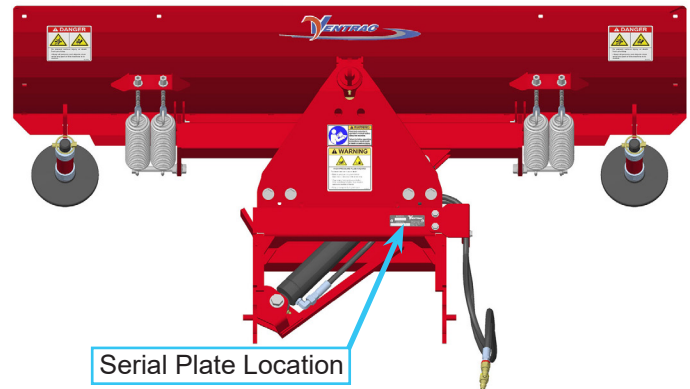
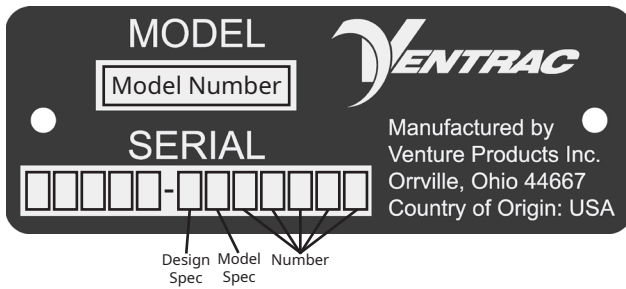


View all manuals



500 Venture Drive
Orrville Oh 44667
www.ventrac.com

Visit ventrac.com/manuals for the latest version of this parts manual. A downloadable operator's manual is also available.



Notes

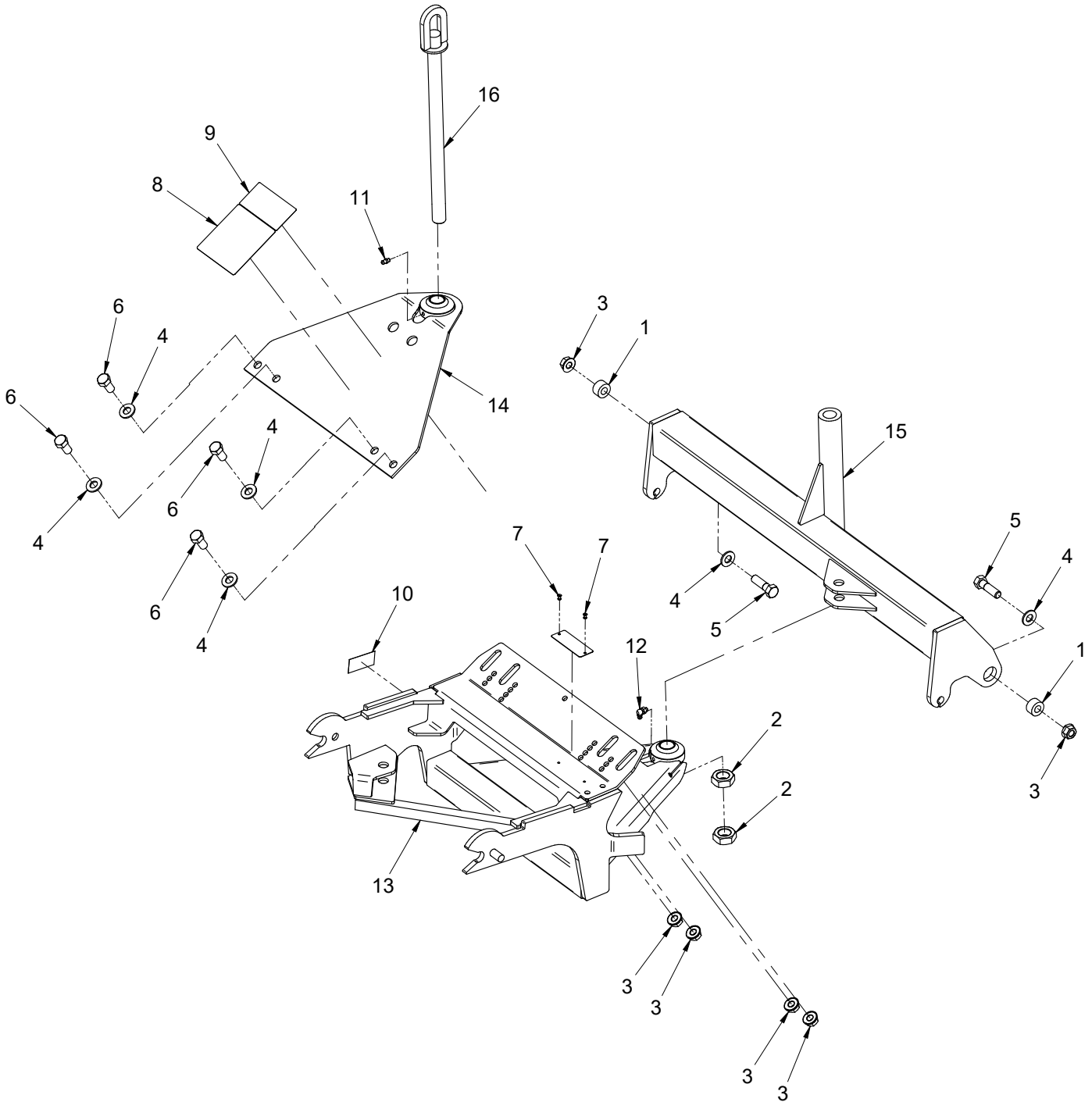
- If any component requires replacement, use only original Ventrac replacement parts.
- When ordering new components, be sure to order all required safety decals. All current safety decals must be affixed to the replacement components prior to installation of the component.

TABLE OF CONTENTS

PARTS	PAGE 4
Hitch Frame & Yoke Crossbar.....	4
Hydraulic Power Angle.....	6
Blade, Cutting Edge, & Skid Shoes.....	8
Hardened Cutting Edge & 70.8030 Polyurethane Edge Kit.....	10

PARTS

ILLUSTRATED DRAWING Hitch Frame & Yoke Crossbar



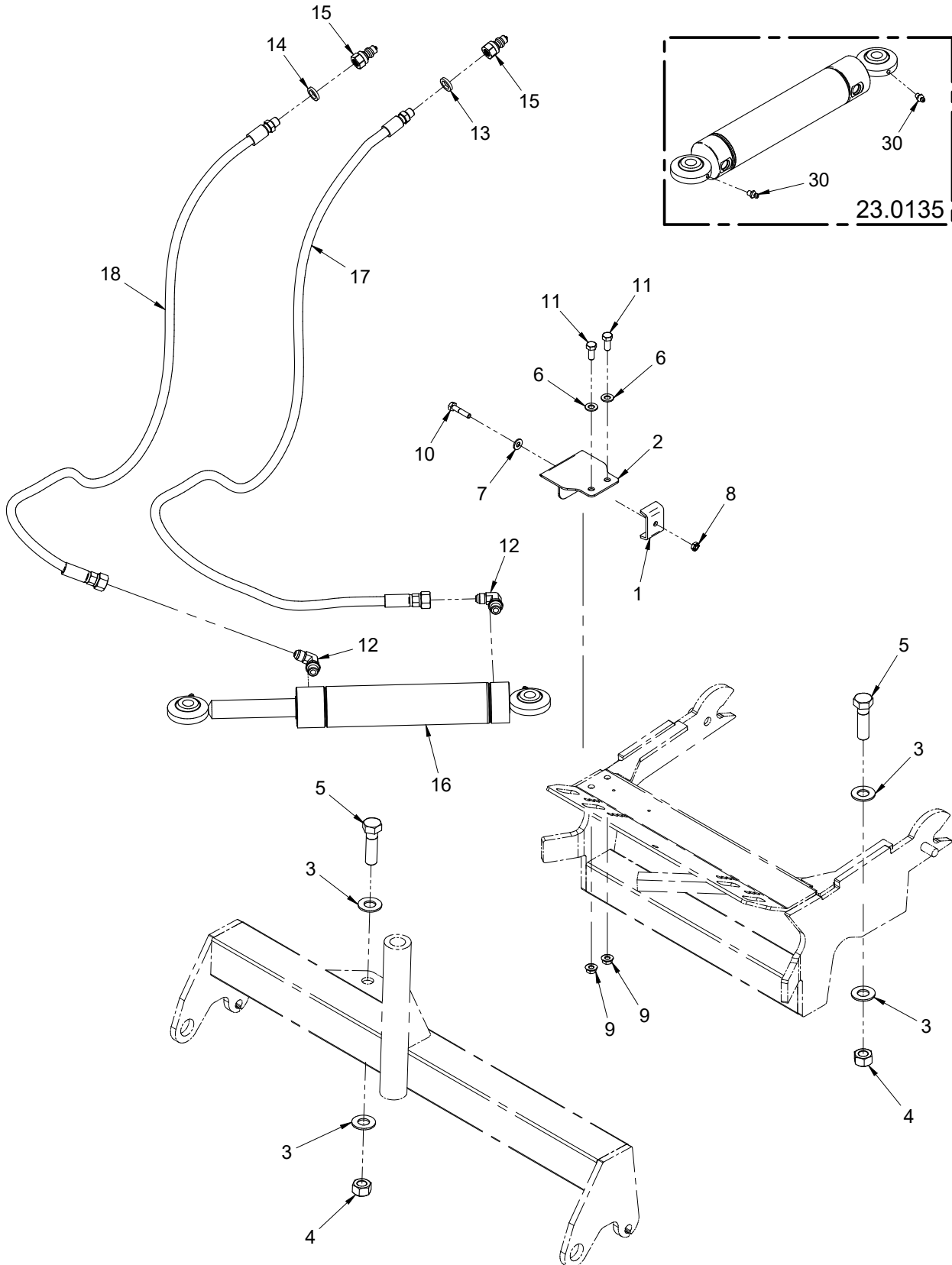
PARTS

Hitch Frame & Yoke Crossbar

REF.	PART NO.	DESCRIPTION	QTY.
1	64.0676	.BUSHING, CROSSBAR SPACER	2
2	99.E0074	.NUT, JAM 7/8-14 SAE	2
3	99.SF08	.NUT, SRF 1/2-13 USS	6
4	95.08	.WASHER, FLAT 1/2 SAE	6
5	90.0814	.BOLT, 1/2-13 USS X 1 3/4	2
6	90.0808	.BOLT, 1/2-13 USS X 1	4
7	04.0029	.RIVET, POP 1/8" X 1/4" SS	2
8	00.0103	.DECAL, HAZARD - HIGH PRESS. FLUID (Serial # 2000-4629)	1
8	00.0621	.DECAL, HIGH PRESSURE FLUID HAZARD (Serial # 4630-)	1
9	00.0217	.DECAL, WARNING READ OWNERS MANUAL (Serial # 2000-4629)	1
9	00.0619	.DECAL, READ OPERATOR'S MANUAL (Serial # 4630-)	1
10	00.0100	.DECAL, BUILT IN THE USA	1
11	29.GF0001	.GREASE FTG, 1/4 SAE ST	1
12	29.GF0002	.GREASE FTG, 1/4 SAE 90	1
13	62.0984	.FRAME, MAIN HITCH	1
14	64.1081	.PLATE, UPPER ANCHOR	1
15	62.0985	.YOKE, CROSSBAR BLD MT	1
16	64.1083	.PIN, CENTER PIVOT	1

PARTS

ILLUSTRATED DRAWING Hydraulic Power Angle



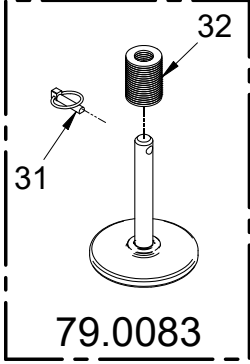
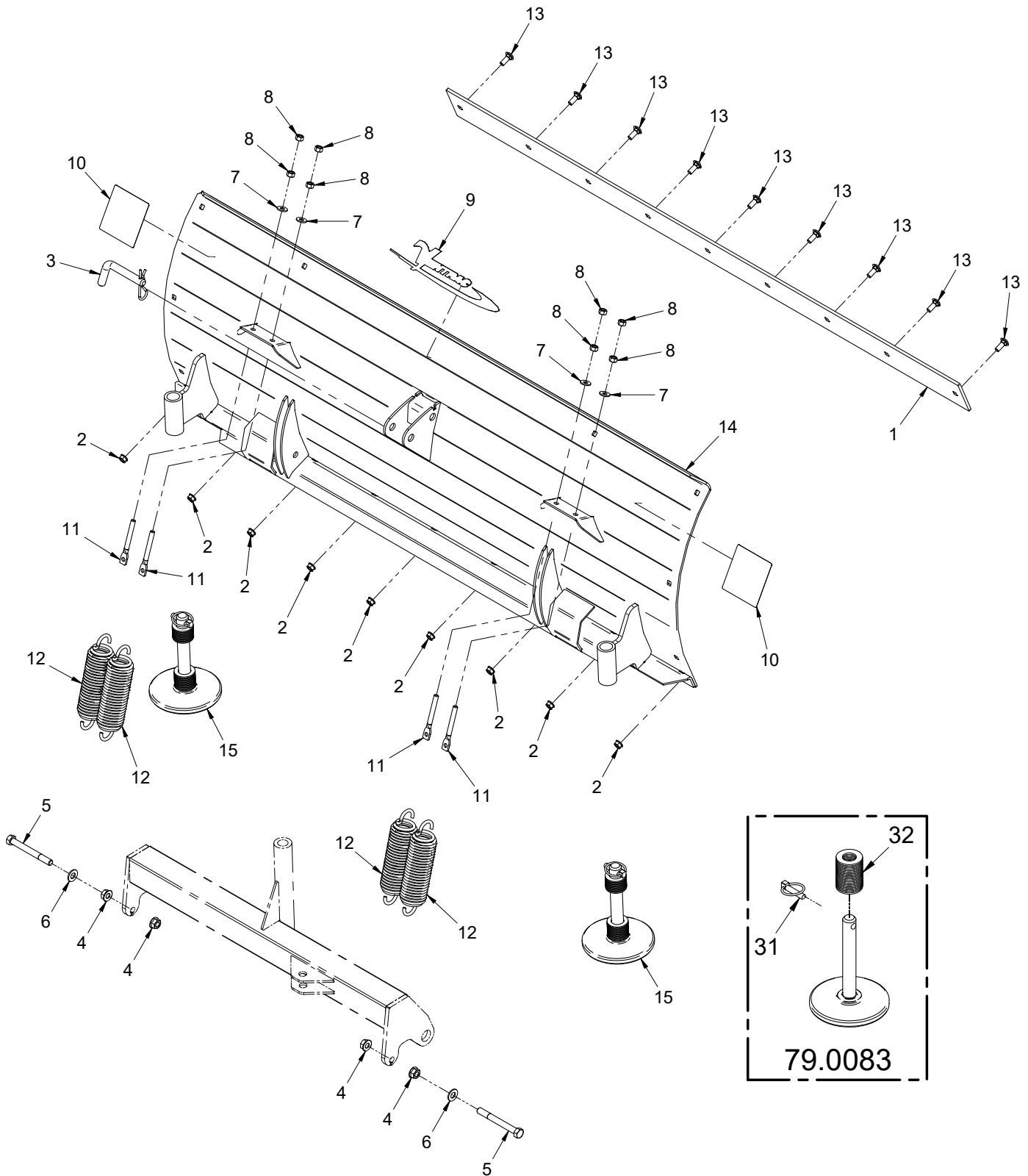
PARTS

Hydraulic Power Angle

REF.	PART NO.	DESCRIPTION	QTY.
1	64.0826	.CLAMP, HYD. HOSE	1
2	64.1082	.BRACKET, HOSE SUPPORT	1
3	95.10	.WASHER, FLAT 5/8 SAE	4
4	99.A10	.LOCKNUT, STOVER 5/8-11 USS	2
5	90.1018	.BOLT, 5/8-11 USS X 2-1/4	2
6	95.05	.WASHER, FLAT 5/16 SAE	2
7	95.04	.WASHER, FLAT 1/4 SAE	1
8	99.A04	.LOCKNUT, STOVER 1/4-20 USS	1
9	99.SF05	.NUT, SRF 5/16-18 USS	2
10	90.0410	.BOLT, 1/4-20 USS X 1-1/4"	1
11	90.0506	.BOLT, 5/16-18 USS X 3/4"	2
12	25.6801-06-06	.FITTING, 90 ME 3/8 X 3/8	2
13	05.0116	.WASHER, .544 ID X .817 X .14 RED	1
14	05.0117	.WASHER, .544 ID X .817 X .14 YEL	1
15	23.0104	.COUPLER, HYDRAULIC QUICK - 1/4 MALE	2
16	23.0135	.CYLINDER, 2" X 8" KD	1
17	20.0208	.HOSE, 1/4X55.00 SAE 100R17 AR	1
18	20.0209	.HOSE, 1/4X45.00 SAE 100R17 AR	1
30	29.GF0001	.GREASE FTG, 1/4 SAE ST	2

PARTS

ILLUSTRATED DRAWING Blade, Cutting Edge, & Skid Shoes



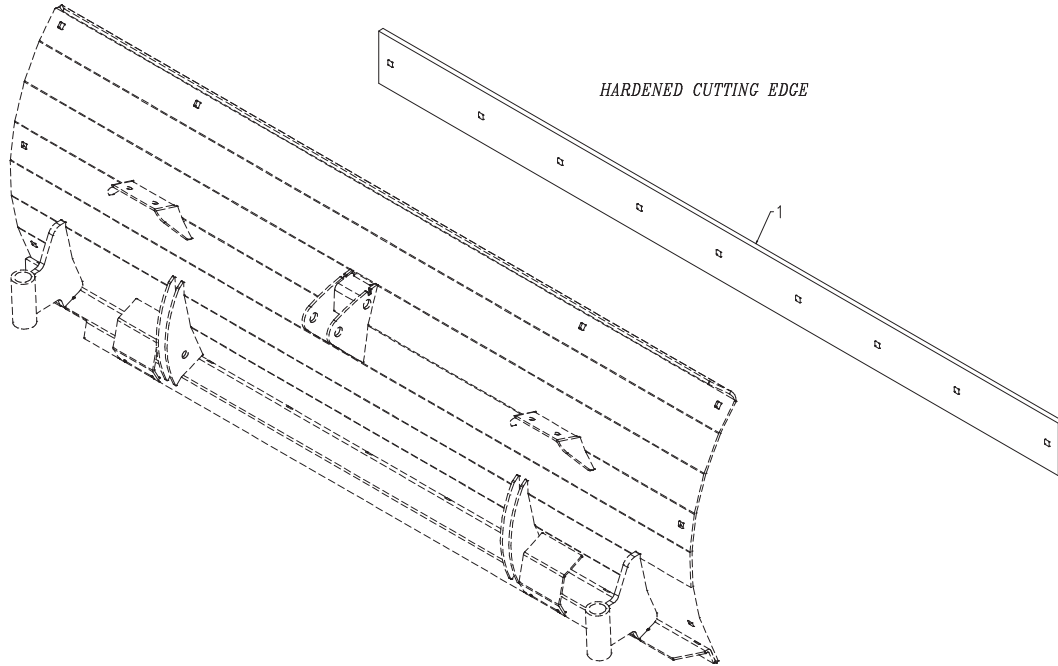
PARTS

Blade, Cutting Edge, & Skid Shoes

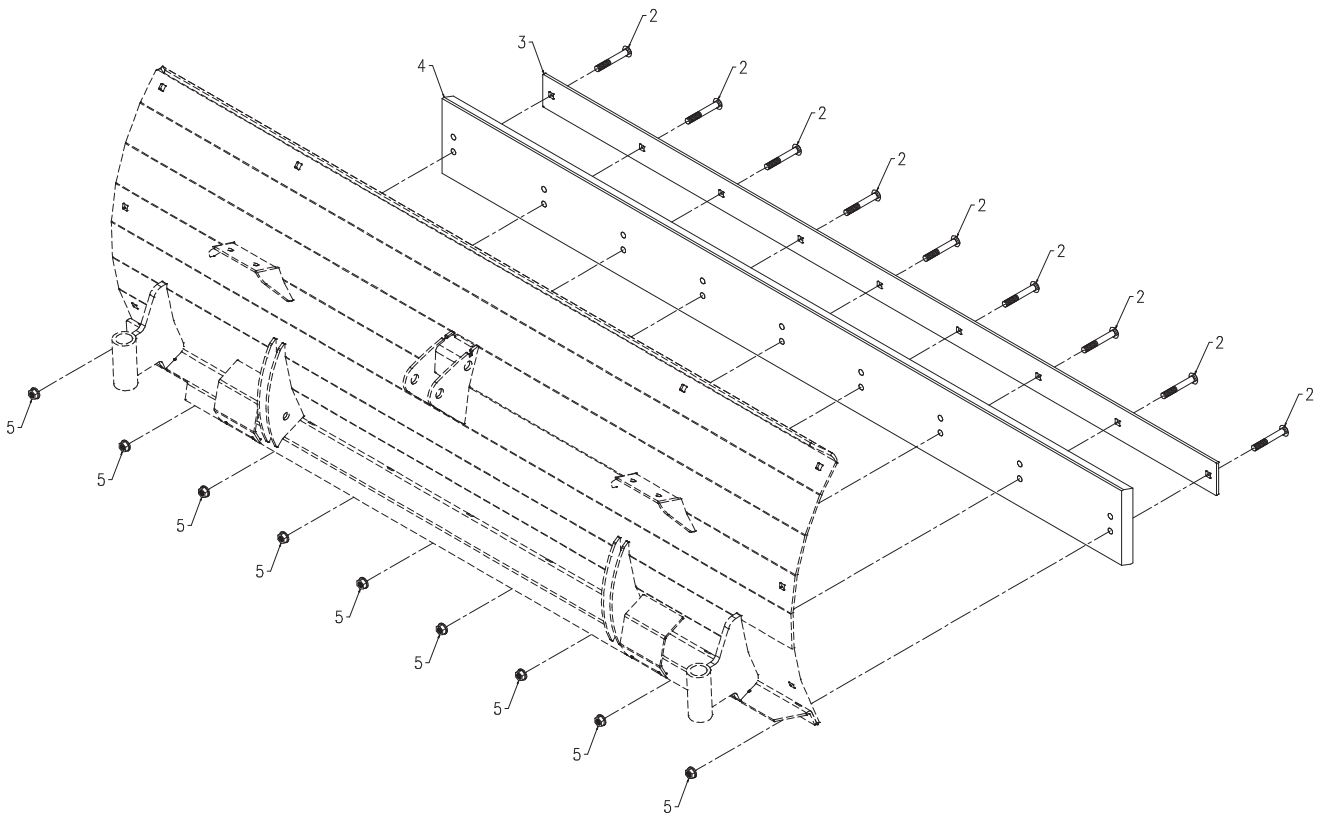
REF.	PART NO.	DESCRIPTION	QTY.
1	78.0040	.CUTTING EDGE, 60" (Serial # 2000-2499)	1
1	78.0058	.CUTTING EDGE, 60" THROUGH HARD (Serial # 2500-)	1
2	99.SF06	.NUT, SRF 3/8-16 USS	9
3	03.0014	.PIN, HITCH 5/8" X 3" USABLE	1
4	99.SF08	.NUT, SRF 1/2-13 USS	4
5	90.0836	.BOLT, 1/2-13 USS X 4-1/2	2
6	95.08	.WASHER, FLAT 1/2 SAE	2
7	94.05	.WASHER, FLAT 5/16 USS	4
8	92.06	.NUT, 3/8-16 USS	8
9	00.0189	.DECAL, VENTRAC ORBITAL	1
10	00.0102	.DECAL, DANGER - PINCHING HAZARDS (Serial # 2000-4629)	2
10	00.0620	.DECAL, PINCHING OR CRUSHING HAZARD (Serial # 4630-)	2
11	99.K0094	.BOLT, HANGER 3/8-16 X 4	4
12	41.0075	.SPRING, EXT 2" OD X 8-3/8" LG	4
13	97.0608	.BOLT, CARRIAGE 3/8 X 1 (Serial # 2000-2499)	9
13	97.0610	.BOLT, CARRIAGE 3/8 X 1 1/4 (Serial # 2500-)	9
14	62.1336	.BLADE, MAIN WELDMENT 2 SERIES	1
15	79.0083	.SHOE, SKID ROUND ASM	2
31	03.0005	.PIN, LYNCH	1
32	95.16	.WASHER, FLAT 1 SAE	19

PARTS

ILLUSTRATED DRAWING Hardened Cutting Edge & 70.8030 Polyurethane Edge Kit



70.8030 POLYURETHANE EDGE KIT



PARTS

Hardened Cutting Edge & 70.8030 Polyurethane Edge Kit

REF.	PART NO.	DESCRIPTION	QTY.
1	78.0058	CUTTING EDGE, 60" THROUGH HARD	1
2	97.0616	BOLT, CARRIAGE 3/8 X 2	9
3	64.1102	CLAMP, POLY BACKER 59-1/2L	1
4	44.0205	CUTTING EDGE, POLY 1 X 6 X 60L	1
5	99.SF06	NUT, SRF 3/8-16 USS.	9