

ALITEC™

**SKID STEER
COLD PLANNER**

**CP40S/C
Single Circuit Valve**

**Effective Serial Number:
6600010303**

MCP40S/C

Rev. 4/30/2019

WOODS®

OPERATOR'S MANUAL

TO THE DEALER:

Assembly and proper installation of this product is the responsibility of the Woods® dealer. Read manual instructions and safety rules. Make sure all items on the Dealer's Pre-Delivery and Delivery Check Lists in the Operator's Manual are completed before releasing equipment to the owner.

The dealer must complete the online Product Registration form at the Woods Dealer Website which certifies that all Dealer Check List items have been completed. Dealers can register all Woods product at dealer.WoodsConstruction.net under Product Registration.

Failure to register the product does not diminish customer's warranty rights.

TO THE OWNER:

Read this manual before operating your Woods equipment. The information presented will prepare you to do a better and safer job. Keep this manual handy for ready reference. Require all operators to read this manual carefully and become acquainted with all adjustment and operating procedures before attempting to operate. Replacement manuals can be obtained from your dealer. To locate your nearest dealer, check the Dealer Locator at www.WoodsEquipment.com, or in the United States and Canada call 1-800-848-3447.

The equipment you have purchased has been carefully engineered and manufactured to provide dependable and satisfactory use. Like all mechanical products, it will require cleaning and upkeep. Lubricate the unit as specified. Observe all safety information in this manual and safety decals on the equipment.

For service, your authorized Woods dealer has trained mechanics, genuine Woods service parts, and the necessary tools and equipment to handle all your needs.

Use only genuine Woods service parts. Substitute parts will void the warranty and may not meet standards required for safe and satisfactory operation. Record the model number and serial number of your equipment in the spaces provided:

Model: _____ **Date of Purchase:** _____

Serial Number: (see Safety Decal section for location) _____

Provide this information to your dealer to obtain correct repair parts.

Throughout this manual, the term **NOTICE** is used to indicate that failure to observe can cause damage to equipment. The terms **CAUTION**, **WARNING**, and **DANGER** are used in conjunction with the Safety-Alert Symbol (a triangle with an exclamation mark) to indicate the degree of hazard for items of personal safety.



This is the safety alert symbol. It is used to alert you to potential physical injury hazards. Obey all safety messages that follow this symbol to avoid possible injury or death.



Indicates a hazardous situation that, if not avoided, will result in death or serious injury.



Indicates a hazardous situation that, if not avoided, could result in death or serious injury.



Indicates a hazardous situation that, if not avoided, could result in minor or moderate injury.

**IMPORTANT
or NOTICE**

Is used to address practices not related to physical injury.

NOTE

Indicates helpful information.

WOODS®


ALITEC™
CENTRAL FABRICATORS®
GANNON®
WAIN-ROY®
WOODS®

2 Introduction

CE Construction (Rev. 3/1/2016)


TABLE OF CONTENTS

INTRODUCTION	2
GENERAL INFORMATION	4
SPECIFICATIONS	4
SAFETY RULES	5
SAFETY DECALS	8
SET-UP INSTRUCTIONS	10
OPERATION	11
MAINTENANCE	13
SERVICE	14
TROUBLE SHOOTING	15
ASSEMBLIES & PARTS LISTS	16
FITTING TORQUE CHART	20
QUICK COUPLER CHART	21
BOLT TORQUE CHART	24
PRODUCT WARRANTY	26
REPLACEMENT PARTS WARRANTY	INSIDE BACK COVER



¡LEA EL INSTRUCTIVO!

Si no lee Ingles, pida ayuda a alguien que si lo lee para que le traduzca las medidas de seguridad.



This Operator's Manual should be regarded as part of the machine. Suppliers of both new and second-hand machines must make sure that this manual is provided with the machine.

GENERAL INFORMATION

The purpose of this manual is to assist you in operating and maintaining your planer. Read it carefully. It furnishes information and instructions that will help you achieve years of dependable performance. These instructions have been compiled from extensive field experience and engineering data. Some information may be general in nature due to unknown and varying operating conditions. However, through experience and these instructions, you should be able to develop procedures suitable to your particular situation.

The illustrations and data used in this manual were current at the time of printing but, due to possible inline production changes, your machine may vary slightly in detail. We reserve the right to redesign and change the machines as may be necessary without notification.

Throughout this manual, references are made to right and left directions. These are determined by standing behind the equipment facing the direction of forward travel.

SPECIFICATIONS

	CP40S/C
PLANING WIDTH	40 inches
PLANING DEPTH	0-10 inches
HYDRAULIC HORSEPOWER REQUIRED	30-60 hp
SIDESHIFT CAPABILITY	22 inches
NUMBER OF CARBIDE PICKS	87
TILT CAPABILITY	±10°
HYDRAULIC FLOW REQUIRED	25-40 gpm
HYDRAULIC PRESSURE REQUIRED	2000-5000 psi
OPERATING WEIGHT	2600 lbs
PLANETARY GEARBOX CAPACITY	19 oz
PLANETARY LUBRICANT	80W-90 GL5 Gear Lube

SAFETY RULES



ATTENTION! BECOME ALERT! YOUR SAFETY IS INVOLVED!



Safety is a primary concern in the design and manufacture of our products. Unfortunately, our efforts to provide safe equipment can be wiped out by an operator's single careless act.

In addition to the design and configuration of equipment, hazard control and accident prevention are dependent upon the awareness, concern, judgement, and proper training of personnel involved in the operation, transport, maintenance and storage of equipment.

It has been said "The best safety device is an informed, careful operator." We ask you to be that kind of operator.

INSTALLATION

- Hydraulics must be connected as instructed in this manual. Do not substitute parts, modify, or connect in any other way.
- After connecting hoses, check that all control lever positions function as instructed in the Operator's Manual. Do not put into service until control lever and equipment movements are correct.

TRAINING

- Safety instructions are important! Read all attachment and power unit manuals; follow all safety rules and safety decal information. (Replacement manuals and safety decals are available from your dealer. To locate your nearest dealer, check the Dealer Locator at www.WoodsEquipment.com, or in the United States and Canada call 1-800-848-3447.) Failure to follow instructions or safety rules can result in serious injury or death.
- If you do not understand any part of this manual and need assistance, see your dealer.
- Know your controls and how to stop engine and attachment quickly in an emergency.
- Operators must be instructed in and be capable of the safe operation of the equipment, its attachments, and all controls. Do not allow anyone to operate this equipment without proper instructions.
- Keep hands and body away from pressurized lines. Use paper or cardboard, not hands or other body parts to check for leaks. Wear safety goggles. Hydraulic fluid under pressure can easily penetrate skin and will cause serious injury or death.
- Make sure that all operating and service personnel know that if hydraulic fluid penetrates skin, it

must be surgically removed as soon as possible by a doctor familiar with this form of injury or gangrene, serious injury, or death will result. **CONTACT A PHYSICIAN IMMEDIATELY IF FLUID ENTERS SKIN OR EYES. DO NOT DELAY.**

- Never allow children or untrained persons to operate equipment.

PREPARATION

- Check that all hardware is properly installed. Always tighten to torque chart specifications unless instructed otherwise in this manual.
- Counterweight ballast may be required for machine stability. Check your power unit manual or contact your dealer.
- Air in hydraulic systems can cause erratic operation and allows loads or equipment components to drop unexpectedly. When connecting equipment or hoses or performing any hydraulic maintenance, purge any air in hydraulic system by operating all hydraulic functions several times. Do this before putting into service or allowing anyone to approach the equipment.
- After connecting hoses, check that all control lever positions function as instructed in the Operator's Manual. Do not put into service until control lever and equipment movements are correct.
- Protective hose sleeves must cover all hydraulic hoses within 20 inches of the operator and be secured onto metal hose fittings. Replace hoses or sleeves if damaged or if protective sleeve cannot be properly positioned or secured.
- Make sure all hydraulic hoses, fittings, and valves are in good condition and not leaking before starting power unit or using equipment. Check and route hoses carefully to prevent damage. Hoses must not be twisted, bent sharply, kinked, frayed, pinched, or come into contact with any moving parts. Operate moveable components through full operational range to check clearances. Replace any damaged hoses immediately.
- Your dealer can supply original equipment hydraulic accessories and repair parts. Substitute parts may not meet original equipment specifications and may be dangerous.
- Always wear relatively tight and belted clothing to avoid getting caught in moving parts. Wear sturdy, rough-soled work shoes and protective equipment for eyes, hair, hands, hearing, and head; and respirator or filter mask where appropriate.

SAFETY RULES



ATTENTION! BECOME ALERT! YOUR SAFETY IS INVOLVED!



■ Be sure attachment is properly secured, adjusted, and in good operating condition. Coupler lockpins must be fully extended and properly engaged into attachment retaining slots.

■ Power unit must be equipped with ROPS and seat belt/operator restraint. Keep seat belt/operator restraint securely fastened/engaged. Falling off power unit can result in death from being run over or crushed. Keep ROPS systems in place at all times.

■ Make sure all safety decals are installed. Replace if damaged. (See Safety Decals section for location.)

■ Make sure shields and guards are properly installed and in good condition. Replace if damaged.

■ Inspect and clear area of stones, branches, or other hard objects that might be thrown, causing injury or damage.

OPERATION

■ Improper operation can cause the machine to tip or roll over and cause injury or death.

- Keep power unit lift arms and attachment as low as possible.
- Do not travel or turn with power unit lift arms and attachment raised.
- Turn only on level ground.
- Go up and down slopes, not across them.
- Keep the heavy end of the machine uphill.
- Do not overload the machine.

■ Never use attachment to carry loads that exceed the rated operating capacity or other specifications of the power unit. Check your power unit manual or see your dealer for rated operating capacity. Exceeding this capacity can cause machine to tip, roll over, or present other hazards that can cause injury or death.

■ Do not allow bystanders in the area when operating, attaching, removing, assembling, or servicing equipment.

■ Contact with high voltage, overhead power lines, underground cables, gas lines, and other hazards can cause serious injury or death from electrocution, explosion, or fire.

■ Keep bystanders away from equipment.

■ Never direct discharge toward people, animals, or property.

■ Do not operate or transport equipment while under the influence of alcohol or drugs.

■ Operate only in daylight or good artificial light.

■ Keep hands, feet, hair, and clothing away from equipment while engine is running. Stay clear of all moving parts.

■ Always comply with all state and local lighting and marking requirements.

■ Do not allow riders. Do not lift or carry anybody on the power unit or attachments.

■ Always sit in power unit seat when operating controls or starting engine. Securely fasten seat belt/operator restraint, place transmission in park or neutral, engage brake and ensure all other controls are disengaged before starting power unit engine.

■ Look down and to the rear and make sure area is clear before operating in reverse.

■ Use extreme care when working close to fences, ditches, other obstructions, or on hillsides.

■ Do not operate or transport on steep slopes.

■ Do not stop, start, or change directions suddenly on slopes.

■ Use extreme care and reduce ground speed on slopes and rough terrain.

■ Watch for hidden hazards on the terrain during operation.

■ Stop power unit and implement immediately upon striking an obstruction. Dismount power unit, using proper procedure. Inspect and repair any damage before resuming operation.

■ Leak down or failure of mechanical or hydraulic system can cause equipment to drop.

■ Before making any adjustments on attachment, stop engine and engage parking brake. Never adjust or work on attachment while the power unit or attachment is running.

■ Before leaving operator's seat, lower lift arms and put attachment on the ground. Engage brake, stop engine, remove key, and remove seat belt.

MAINTENANCE

■ Before leaving operator's seat, lower lift arms and put attachment on the ground. Engage brake, stop engine, remove key, and remove seat belt.

■ **NEVER GO UNDERNEATH EQUIPMENT.** Never place any part of the body underneath equipment



SAFETY RULES

ATTENTION! BECOME ALERT! YOUR SAFETY IS INVOLVED!



or between moveable parts even when the engine has been turned off. Hydraulic system leak-down, hydraulic system failures, mechanical failures, or movement of control levers can cause equipment to drop or rotate unexpectedly and cause severe injury or death.

- Service work does not require going underneath.
- Read Operator's Manual for service instructions or have service performed by a qualified dealer.
- Do not modify or alter or permit anyone else to modify or alter the equipment or any of its components in any way.
- Your dealer can supply original equipment hydraulic accessories and repair parts. Substitute parts may not meet original equipment specifications and may be dangerous.
- When removing front wheel pins, be sure to support the front of the depth skid to prevent hands or feet from being crushed.
- Always wear relatively tight and belted clothing to avoid getting caught in moving parts. Wear sturdy, rough-soled work shoes and protective equipment for eyes, hair, hands, hearing, and head; and respirator or filter mask where appropriate.
- Do not allow bystanders in the area when operating, attaching, removing, assembling, or servicing equipment.
- Be sure attachment is properly secured, adjusted, and in good operating condition. Coupler lockpins must be fully extended and properly engaged into attachment retaining slots.

- Never perform service or maintenance with engine running.
- Keep all persons away from operator control area while performing adjustments, service, or maintenance.
- Tighten all bolts, nuts, and screws to torque chart specifications. Check that all cotter pins are installed securely to ensure equipment is in a safe condition before putting unit into service.
- Make sure all safety decals are installed. Replace if damaged. (See Safety Decals section for location.)
- Make sure shields and guards are properly installed and in good condition. Replace if damaged.
- Do not disconnect hydraulic lines until all system pressure is relieved. Lower unit to ground, stop engine, and operate all hydraulic control levers.
- Leak down or failure of mechanical or hydraulic system can cause equipment to drop.

STORAGE

- Follow manual instructions for storage.
- Keep children and bystanders away from storage area.





SAFETY & INSTRUCTIONAL DECALS

ATTENTION! BECOME ALERT! YOUR SAFETY IS INVOLVED!
Replace Immediately If Damaged!



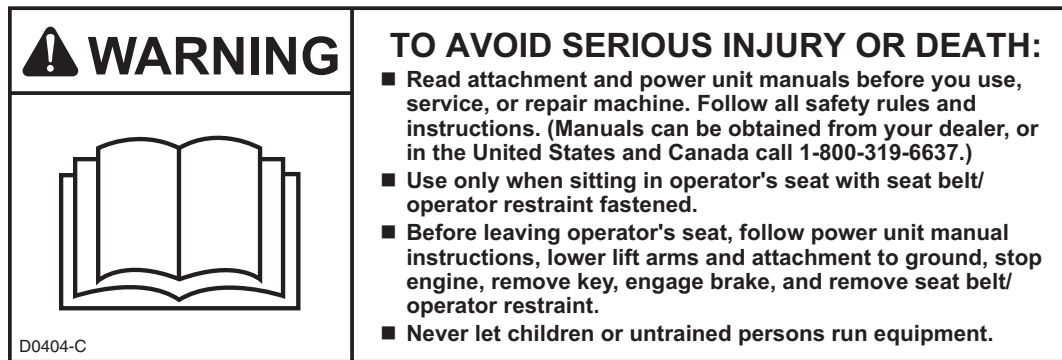
SERIAL NUMBER PLATE



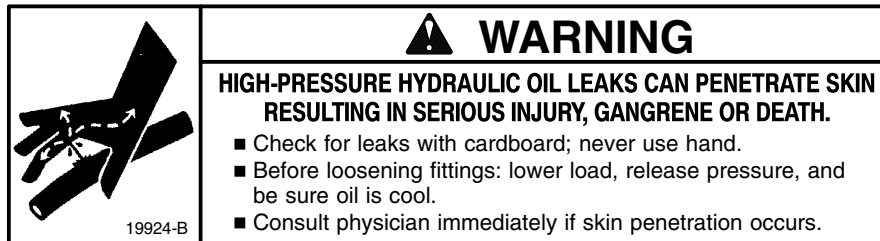
D0193



D0404



19924



D0195



D0192





SAFETY & INSTRUCTIONAL DECALS
ATTENTION! BECOME ALERT! YOUR SAFETY IS INVOLVED!
Replace Immediately If Damaged!



54519

 WARNING	
	
<p>FALLING OFF CAN RESULT IN BEING RUN OVER.</p> <ul style="list-style-type: none"> ■ Skid steer must have ROPS and seat belt/operator restraint. Keep seat belt/operator restraint securely fastened. ■ Allow no riders. <p>RAISED EQUIPMENT CAN DROP AND CRUSH.</p> <ul style="list-style-type: none"> ■ Never go underneath raised equipment or raised Skid Steer lift arms, which can drop from hydraulic leak down, hydraulic system failures, movement of control levers or mechanical linkage failures. ■ Service work does not require going underneath equipment. Read manual instructions. <p>FALLING OFF OR GOING UNDERNEATH EQUIPMENT CAN RESULT IN SERIOUS INJURY OR DEATH.</p>	
<small>54519-A</small>	

BE CAREFUL!

Use a clean, damp cloth to clean safety decals.

Avoid spraying too close to decals when using a pressure washer; high-pressure water can enter through very small scratches or under edges of decals causing them to peel or come off.

Replacement safety decals can be ordered free from your Woods dealer. To locate your nearest dealer, check the Dealer Locator at www.WoodsEquipment.com, or in the United States and Canada call 1-800-319-6637.

SET-UP INSTRUCTIONS

 **WARNING**

- **Read the entire manual as well as the decals on the attachment (see Safety Section), before attempting any maintenance, service, repair, or set-up of the unit.**

Although the attachment is supplied fully assembled, some simple checks should be performed before operation begins.

SAFETY DECALS

The safety decals on the attachment should be clearly readable and always followed. The location and description of the decals is shown in the parts diagram. Copies of the decals are shown in Safety Decals section.

LUBRICATION

All attachment wheels, the sideshift bars and pivot points shown in the parts diagram, should be greased after 40 hours. All bearings should be greased with a high temperature bearing grease after 40 hours of use. Planetary gear lubrication should be changed with EP90 gear lubrication after the first 50 hours of use and every 500 hours of operation thereafter.

DRUM ASSEMBLY

For proper operation, all picks or teeth must be installed in holders. Inspect picks every 4 hours of operation. If any picks show excessive wear (carbide tip missing / damaged or pick body worn), replace all worn picks.

HOSES / FITTINGS

Hydraulic fittings are used to connect all attachment hoses. All fittings should be tight and free of hydraulic leaks. Hoses must be free of crimps or cuts that might result in leakage. Check your attachment before operation to make sure all hose routing are kink-free and allow for maximum movement of all sideshift, lift / lower, and / or swing motion required during normal operation.

RETAINING RINGS

The sideshift cylinder as mounted for operation is retained with three 1" external retaining rings; four in each depth cylinder and two on the tilt cylinder.

NOTICE

- **The planer should not be operated at any time when any of these rings are damaged or missing.**

OPERATION

WARNING

■ **Safety instructions are important! Read all attachment and power unit manuals; follow all safety rules and safety decal information. (Replacement manuals and safety decals are available from your dealer.) Failure to follow instructions or safety rules can result in serious injury or death.**

■ **Power unit must be equipped with ROPS and seat belt/operator restraint. Keep seat belt/operator restraint securely fastened/engaged. Falling off power unit can result in death from being run over or crushed. Keep ROPS systems in place at all times.**

■ **Operators must be instructed in and be capable of the safe operation of the equipment, its attachments, and all controls. Do not allow anyone to operate this equipment without proper instructions.**

NOTICE

■ **Skid steers must be equipped with an auxiliary hydraulic system capable of supplying continuous flow for hydraulic motor operation.**

SAFETY PRECAUTIONS

A careful operator is the best protection against accidents. Most accidents involving operators of industrial equipment are caused by failure to observe basic safety precautions. Familiarize yourself with the safety precautions listed below.

WARNING

■ **The following precautions must be observed for the safety of the operator and/or service personnel.**

1. Read and observe all safety information and decals on the skid steer loader and attachment before operating the unit (see Safety Decals section). In addition, familiarize yourself with all loader safety devices and check daily that they are functioning properly.
2. Refer to the safety section of your skid loader operator's manual and observe all safety recommendations set forth in that manual.
3. Never raise the attachment more than 24" off the ground. When loading, keep attachment as low to the ramps and trailer as possible.

4. Always lower the loader arms fully before leaving the skid steer seat.

WARNING

■ **Never crawl under raised loader arms.**

5. Be sure to raise the attachment totally off the ground before sideshifting.
6. Carefully inspect all hydraulic hoses and connections on a routine basis. Always use a piece of cardboard when searching for leaks.
7. Be sure to exercise the Mandatory Safety Shutdown Procedure, see Service Section, page 14, before proceeding with any work on the attachment.

WARNING

■ **Never use your hands as escaping fluid under pressure can penetrate the skin causing serious injury. If hydraulic fluid does penetrate the skin, seek immediate medical attention by a doctor familiar with this type of injury of gangrene may result.**

■ **Never allow hands or feet near any working part of attachment unless the mandatory Safety Shutdown Procedure has been completed.**

PLANER OPERATION

The planer attachment is hydraulically powered and intended for use in milling asphalt or concrete surfaces. The performance of the attachment can vary greatly depending upon how it is used and operated. Therefore, the recommended operating procedures contained within this manual should be followed at all times for maximum productivity.

The attachment requires a minimum hydraulic supply of 25 gallons per minute (90 liters per minute) at 2000 psi.

NOTICE

■ **Insufficient hydraulic power will result in poor performance.**

In attaching the planer to the skid steer, ensure that all three hydraulic hoses are coupled securely to the quick couplers.

NOTICE

■ **Casedrain must be attached and hose pressure must not exceed 15 psi. Motor seal failure will occur if the casedrain is not attached, if the hose is crimped, or if hose pressure is excessive. All hoses should be free of kinks, cuts, or abrasions for safe operation.**

When using a quick attachment hookup to the skid steer, the locking pins on the loader arms should always be engaged and secured.

When engaging the hydraulic power to the attachment, the drum should not be in contact with the surface to be planed. Free rotation is required to prevent excess pressure spikes upon startup. The operator must always be seated in the host vehicle upon startup.

Engage the hydraulic power. Set the depth indicator slightly less than the desired depth. Actuate the bucket cylinder function for rollout until the planer wheels come in contact with planing surface. Make a trial cut.

Set the depth to the desired depth. Advance the skid steer forward slowly after the desired planing depth is attained. The drum rotation will stall when the load on the planer is too high. This is most likely the result of excessive ground speed. Stop, reverse skid steer direction slightly, and proceed forward.

For maximum productivity, the planer should be operated at full engine throttle.

NOTICE

■ **For proper operation, the majority of the weight of the front of the skid steer should be placed upon the planer with the loader arms fully lowered. The transfer of skid steer weight to the attachment results in smoother, faster planing. The loader arms should never be placed in the float condition because excessive vibration will result.**

With the rear gauge wheel(s) set for acceptable planing depth, the bucket function should be used for lifting or lowering during operation.

NOTICE

■ **The bucket cylinder function should never be used to stop operation due to the existence of secondary reliefs on some skid steer bucket cylinder.**

PRE-OPERATION CHECK LIST

(OWNER'S RESPONSIBILITY)

- ___ Review and follow all safety rules and safety decal instructions on page 5 through page 9.
- ___ Check that all safety decals are installed and in good condition. Replace if damaged.
- ___ Check that all shields and guards are properly installed and in good condition. Replace if damaged.
- ___ Check that equipment is properly and securely attached to skid steer.
- ___ Check that all hardware and cotter pins are properly installed and secured.
- ___ Do not allow riders. Keep all bystanders away from equipment working area.
- ___ Check all lubrication points and grease as instructed. See page 13.
- ___ Check that all hydraulic hoses and fittings are in good condition and not leaking before starting skid steer.
- ___ Check that hoses are not twisted, bent sharply, kinked, frayed or pulled tight. Replace any damaged hoses immediately.
- ___ Make sure skid steer ROPS and seat belt are in good condition. Keep seat belt securely fastened during operation.

MAINTENANCE

Proper maintenance of the attachment will result in longer life and the most productive and cost effective operation. There are two basic categories of maintenance required, pick/holder replacement and component lubrication. For proper operation, the picks should be checked each four hours and lubricated daily to ensure that they can freely rotate in their holders.

PICK REPLACEMENT

As regular use takes place, normal wear of the carbide picks will occur with the outer most picks wearing first. The pick tool included with the planer should be used to remove the picks from the cast holder. In the event the pick tool is not available, any hardened punch or tool allowing access to the bottom of the holders can be used.

WARNING

■ **Never drive the pick in by striking it directly on the end as this can cause the pick to chip and cause injury or create small stress fractures in the pick resulting in premature wear.**

A length of pipe with a 3/4 -1 inch inside diameter can be placed over the pick to protect it from a direct hit. Striking a small piece of wood placed on the pick to absorb the shock will prevent damage.

WARNING

■ **Always wear safety glasses when performing this operation. Hardened tools and pick can shatter causing injury.**

NOTICE

■ **To prevent the picks from seizing in the holders, the picks should be sprayed with diesel fuel at the end of each day. This will break down the asphalt build-up in the holders and prevent premature wear by allowing the picks to rotate in the holders. Excess diesel fuel should be caught in a collection pan and properly disposed.**

LUBRICATION

Lubricate the grease points daily on all planer wheels as well as the drum bearings.

The lubricant in the gear case of the planetary must be changed within the first 50 hours of operation. After that, the lubricant need only be changed once per year or every 1000 hours whichever occurs first.

NOTICE

■ **Type of lubricant should be 80W-90 gear lube, with an EP (extreme pressure) rating of GL-5 minimum. Nineteen ounces is required for each change.**

The lubricant can be changed by removing the drain plug located on the planetary gearbox flange between the chassis and the drum. Rotate the drum until the plug is at its lowest position and remove the plug (it may be necessary to temporarily remove the drive motor to allow the drum to rotate). Allow lubricant to drain. Rotate drum until the drain hole is aligned with the inspection hole in the side of the chassis. Refill gear case with nineteen ounces EP-90 gear lubricant. Reinstall drain plug. Reinstall drive motor if it was removed.

SERVICE

WARNING

- Before servicing this unit, the mandatory safety shutdown procedure must be completed.

MANDATORY SAFETY SHUTDOWN PROCEDURE

Before cleaning, adjusting, lubricating, or servicing this unit, always follow the Mandatory Safety Shutdown Procedure.

1. Move the skid steer loader propulsion control lever to the neutral position.
2. Shut off the attachment by shutting off the auxiliary hydraulic output.
3. Lower the loader lift arms completely and roll the attachment forward so it is securely resting on firm ground or the shop floor.
4. Engage the loader park brake.
5. Move the loader throttle to the slow idle position, shut the engine off, and remove the ignition key.
6. Keep the key with you at all times when working on the unit so no one can start the engine without your knowledge.

WARNING

- Failure to follow the procedures before cleaning, adjusting, lubricating, or servicing this unit could lead to serious injury or death.

DRUM REMOVAL

1. With the attachment resting on a hard, flat surface, loosen the two set screws. These fix the inner bearing race to the dead shaft.
2. Remove the dead shaft by removing the three bolts, nuts and pull the dead shaft from the bearing and out the planer head.
3. Remove the drive motor assembly by removing the two mounting bolts.
4. Remove the planetary mounting bolts.
5. Return to the skid steer operator's seat and check to see that all personnel are clear of the work area. Insert the key in the ignition and start the skid steer.

6. Sideshift the planer head slightly to the left (from the operator's viewpoint) to remove the planetary pilot from the planer head.
7. Raise the attachment with the host vehicle; the drum should remain on the floor.
8. Shut the engine off and remove the ignition key.

WARNING

- If drum does not remain on floor, lower the planer, shut the engine off, remove the ignition key, and review steps 1 through 4. Do not attempt to dislodge the drum while the planer frame is in the raised position. Never place hands or any part of your body in, around, or under the drum as it may fall causing serious injury.
- Use extreme caution during this operation to prevent planetary from tipping and falling.

PLANETARY REMOVAL

1. Remove the drum from the attachment as described in Drum Removal.
2. Fully support the planetary with hoist and remove the planetary flange mounting nuts.
3. Slide the planetary from the drum with a hoist or similar device rated for more than 250 lbs capacity (550 kg).

SIDESHIFT CYLINDER REMOVAL

1. Complete the Mandatory Safety Shutdown procedure.
2. With the attachment on a level surface, remove all three 1" retaining rings from cylinder mounting pins.
3. Pull the cylinder evenly from both mounting pins. Remove the pin on the left-hand side and slide the rod end off the backplate.

SIDESHIFT FRAME REMOVAL

1. Disconnect the drive motor hoses.
2. Remove sideshift cylinder as described in Sideshift Cylinder Removal.
3. Remove three backplate clamp nuts, bolts and main pivot retaining ring.
4. Attach the planer to the skid steer and slowly separate the sideshift frame from the chassis.

CLEANING

After Each Use

- Remove large debris such as clumps of dirt, grass, crop residue, etc. from machine.
- Inspect machine and replace worn or damaged parts.
- Replace any safety decals that are missing or not readable.

Periodically or Before Extended Storage

- Clean large debris such as clumps of dirt, grass, crop residue, etc. from machine.
- Remove the remainder using a low-pressure water spray.

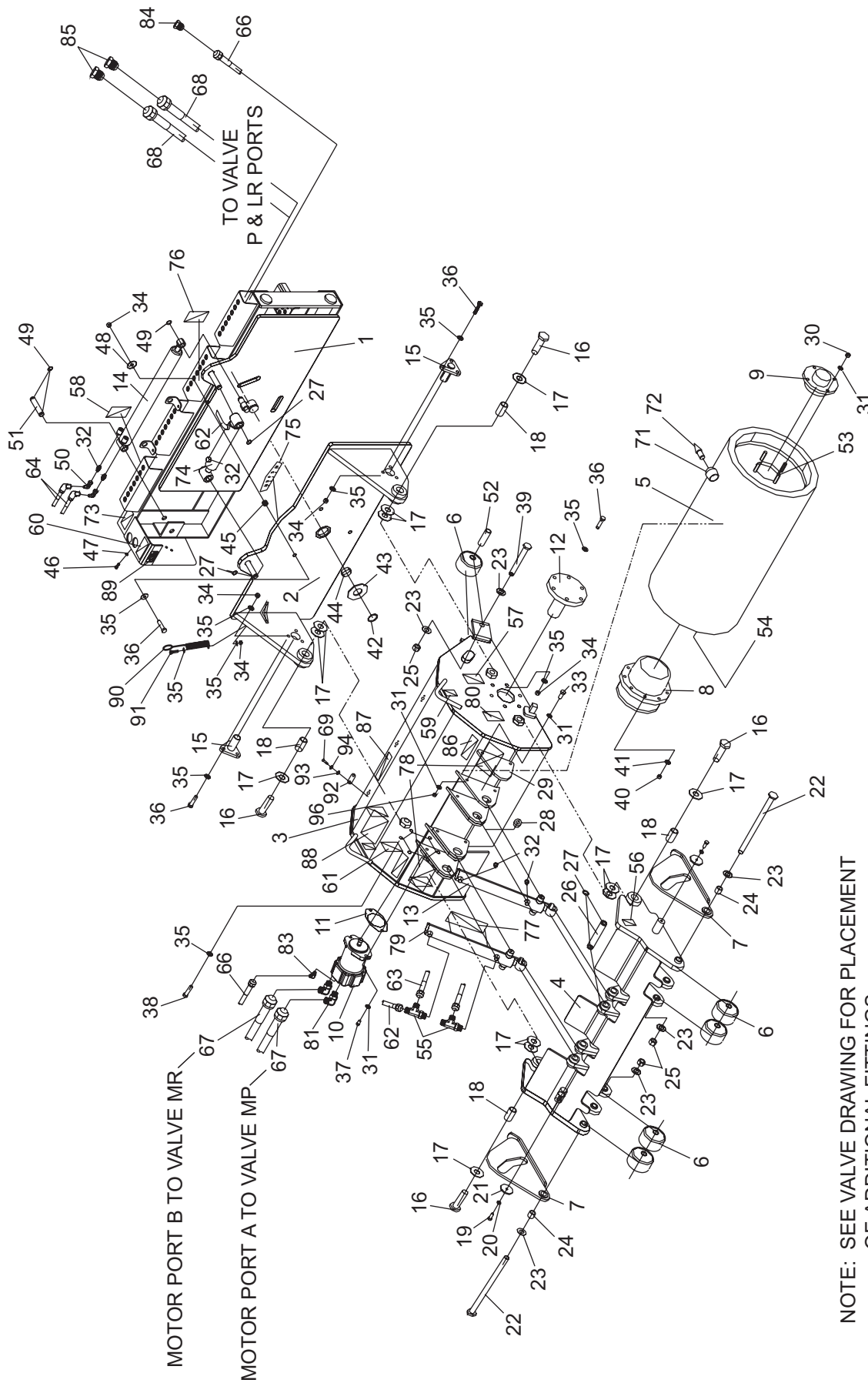
1. Be careful when spraying near scratched or torn safety decals or near edges of decals as water spray can peel decal off surface.
2. Be careful when spraying near chipped or scratched paint as water spray can lift paint.
3. If a pressure washer is used, follow the advice of the pressure washer manufacturer.

- Inspect machine and replace worn or damaged parts.
- Sand down scratches and the edges of areas of missing paint and coat with Woods spray paint of matching color (purchase from your Woods dealer).
- Replace any safety decals that are missing or not readable (supplied free by your Woods dealer). See Safety Decals section for location drawing.

TROUBLESHOOTING

PROBLEM	POSSIBLE CAUSES	CHECK THE FOLLOWING
Planer loses power.	Relief setting in hydraulic system lower than standard 2000 psi or loader circuit pump failure.	Remove, clean or replace solenoid cartridge or replace o-rings. Check reliefs in the loader valve auxiliary valve. Reset or replace any relief below 2000 psi. The flow should be no less than 25 gpm. If pump output is 20% less than rated pump specification, the pump may require repair. Consult loader service manual.
Tilt function is jumpy and erratic.	Tilt clamp bolts set too tight or rusted plate.	Loosen tilt clamp bolts to provide .015 clearance or grease between plates.
Planer drive motor leaks at shaft seal.	Excess motor case drain pressure.	The maximum case drain pressure allowed is 25 psi at full engine throttle. Replace shaft seal.
No functions work.	No power to controller.	Check fuse and power lead connections.
One function doesn't work.	Check power to coil.	If coil has power and pulls, cartridge is defective; replace cartridge. If coil doesn't pull, check for power to coil or replace coil.
Bearing failure of motor or output bearing.	Improper lubrication of bearing. Pick holder replacement - welder not grounded through drum.	Re-grease outboard bearing every 4-8 hours. During holder replacement, ground welder directly to drum (see Maintenance section).

MAIN ASSEMBLY



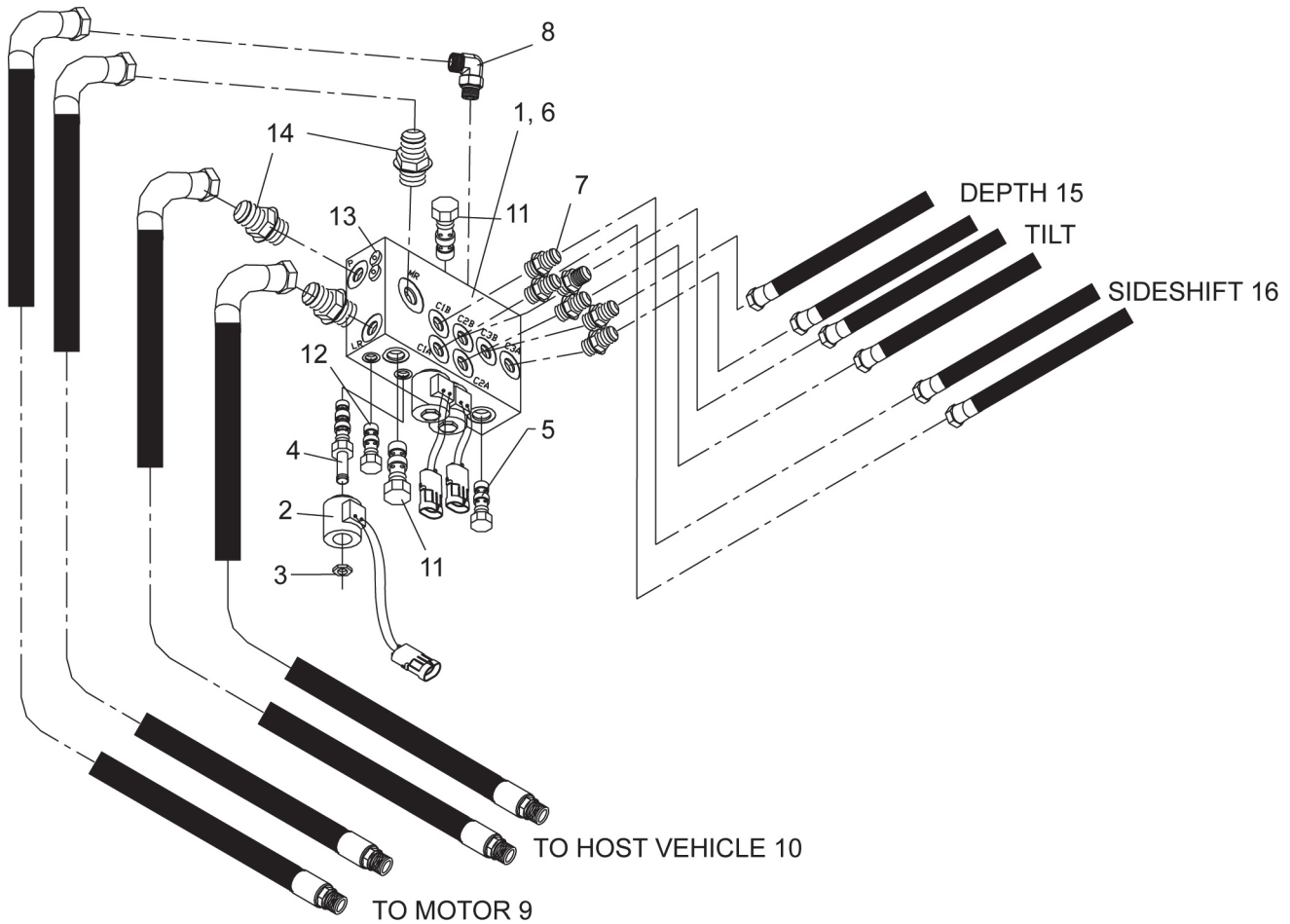
NOTE: SEE VALVE DRAWING FOR PLACEMENT OF ADDITIONAL FITTINGS.

MAIN ASSEMBLY

REF	PART	QTY	DESCRIPTION	REF	PART	QTY	DESCRIPTION
1	106298	1	Attach frame	48	B1020	3	Washer, 5/8" flat USS PLT HRD
2	102435	1	Back plate	49	M0003	3	Retaining ring 1" EXT HD
3	102407	1	Chassis	50	F1387	2	Fitting, 6 SLF x 6 SLM 90°
4	102428	1	Wheel bracket	51	T1035-1	1	Pin, 1" x 5.17" SR 4.5
5	102670440	1	Drum assembly	53	M0165	4	Stud, 1/2" x 2" -20
6	100594	6	Wheel assembly	54	M0153	9	Stud, 9/16" x 2.906" -18
7	102469	2	Skid weldment	55	F1459	2	Fitting, 6 OM x 6 SLM x 6 SLM
8	HC440	1	Planetary, Auburn model 7	56	D0192	1	Decal, pinch point
9	BB001	1	Bearing, 2.5" FYRP	57	D0193	2	Decal, rotating cutter drum
10	HC551	1	Motor, M44-13 tooth, Sauer-Danfoss	58	D0404	1	Decal, read manual
10A	S0100013	1	Seal, shaft Sundstrand M46	59	D0158	2	Decal, lift point
11	M0009	1	Gasket, 2 bolt B flange SAE	60	D0209	1	Decal, no step
12	102711	1	Deadshaft	61	D0042	1	Decal, planetary oil
13	3038344	1	Cylinder, 2" x 15"	62	H1633	4	Hose, #4 x 90" 6 SLF x 6 SLF R2
14	C2201	1	Cylinder, 2" x 22"	63	H1609	2	Hose, #4 x 20" 6 SLF 90° 6 SLF R1
15	102438	2	Deadshaft pivot stop	64	H1609	2	Hose, #4 x 20" 6 SLF 90° 6 SLF R1
16	B2005	4	Bolt, 1-1/4 x 4.5" - 7 GR8 hex	66	H1674	1	Hose, #6 x 170" 6 SLF x 6 SLF R1
17	B2003	12	Washer, 1-1/4" x 3 USS plated	67	H1672	2	Hose, #12 x 50" 12 SLF x 12 SLF 90°
18	BB134	4	Bushing, 1-9/16" x 1.295 x 2-5/8"	68	H1673	2	Hose, #12 x 120" 12 SLF x 12 SLF 90°
19	59000	2	HHCS, 1/2" NF x 1-1/2" GR8 ZP	69	56832	6	HHCS 1/4 x 1-1/4" GR8
20	855 *	2	Washer, lock 1/2" ZP	70	HC548	1	Valve assembly, 3 stage S/C (not shown)
21	102167	2	Spacer, depth cylinder	71	100256	87	Holder, pick
22	B1633	2	Bolt, 1" x 16" UNC PLT GR8	72	102572	87	Pick, concrete
23	B1620	8	Washer, 1" flat SAE PLT HRD	73	D0323	1	Decal, avoid motor
24	T1006	2	Bushing, wheel guide 1.01 x 1.25 x 1.12"	74	C0802	1	Cylinder, 2" x 1-1/8"
25	34279	2	Nut, lock 1" NC	75	D0108	1	Decal, tilt
26	T1088	2	Pin, 1.25" x 7.13 SR 6.5	76	D0157	2	Decal, tie down
27	M0030	6	Retaining ring, 1-1/4" EXT	77	D0272	1	Decal, depth
28	102145	4	Bushing, cylinder depth 1.26" x 2" x 1"	78	D0444	2	Decal, CP40 (white)
29	102913	4	Plate, cylinder retaining	79	102479	1	Depth cylinder weldment
30	B0816	4	Nut, 1/2" - 20 Stover PLT GR5	80	D0195	2	Decal, flying objects
31	57816	22	Washer, 1/2" SAE flat HRD	81	F1293	3	Fitting, 12 OM x 12 SLM 90°
32	F1407	12	Fitting, 6 OM x 6 SLM	83	F1465	1	Fitting, 10 OM x 6 SLM ST
33	59009	8	Bolt, 1/2" NC x 1-3/4" GR8 ZP	84	F1469	1	Fitting, 6 SLM plug
34	B1015	16	Nut, 5/8" Stover UNC GR5	85	F1470	2	Fitting, 12 SLM plug
35	B1021	32	Washer, 5/8" flat SAE PLT HRD	86	D0119	2	Decal, Alitec white
36	21507	15	HHCS, 5/8" x 3" GR8 ZP	87	54519	1	Decal, Warning skid steer crush
37	21666	2	HHCS, 1/2" NC x 1-1/2" GR8 ZP	88	19924	1	Decal, Warning high pressure hyd
38	59019	6	HHCS, 5/8" NC x 1-1/2" GR8 ZP	89	----	1	Serial number plate
39	B1605	2	Bolt, 1" x 8" UNC GR8	90	100913	1	Spring, hose support
40	B0915	9	Nut, 9/16" -18 GR5 Stover PLT	91	4548 *	1	HHCS 5/8" NC x 1-3/4" GR5 ZP
41	B0920	9	Washer, 9/16" flat SAE PLT HRD	92	101562	3	Plate, pistol control bracket
42	M0042	1	Retaining ring, 2" EXT PLT	93	5336 *	6	Washer, 1/4" flat ZP
43	B3221	1	Washer, 2 flat GR8 PLT USS	94	1985 *	6	Washer, 1/4" STD D lock
44	100601	1	Bushing, 2 x 2.5" x 5/8" pivot	95	M0007	1	Pick tool standard (not shown)
45	BB135	3	Bushing, 1" x .687" x .75"	96	765	8	Nut, lock 1/2 NC ZP
46	839 *	2	HHCS, 3/8 NC 1 GR5 ZP				
47	21757 *	2	Washer, 3/8" Std SAE FLT				

* Standard hardware, obtain locally

3-STAGE VALVE



REF	PART	QTY	DESCRIPTION	REF	PART	QTY	DESCRIPTION
1	HC548	1	Valve assembly, 3-stage single circuit	10	H1673	2	Hose #12 x 120" 12 SLF x 12 SLF 90°
2	S0100955	6	Coil, hydac 12V for HC548	11	S0100952	2	Cartridge, hydac check RV16
3	S0100956	3	Nut, coil hydac	12	S0100925	1	Cartridge, Sun Frda-Xan
4	S0100953	3	Cartridge, hydac 4-way 3 position	13	F1188	2	Fitting, 4 OM plug socket
5	S0100954	1	Cartridge, hydac po check	14	F1289	3	Fitting, 12 OM x 12 SLM ST
6	S0100957	1	Block, valve single circuit	15	H1633	4	Hose #4 x 90" 6 SLF x 6 SLF R2
7	F1407	6	Fitting, 6 OM x 6 SLM	16	H1609	2	Hose #4 x 20" 6 SLF 90° x 6 SLF R1
8	F1293	1	Fitting, 12 OM x 12 SLM 90°				
9	H1672	2	Hose #12 x 50" 12 SLF x 12 SLF 90°				* Standard hardware, obtain locally

18 Parts

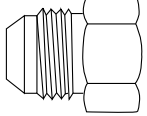
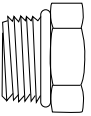
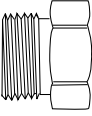
MCP40S/C (Rev. 4/20/2007)

FITTING TORQUE CHART

Always tighten fittings to these values unless a different torque value is listed for a specific service procedure.

Make sure fastener threads are clean and threads are engaged properly.

All torque values are adopted from SAE J514 and SAE J1453.

			
Size	SAE (JIC) 37° Flare Thread Size	O-Ring Style Straight Thread Size	Seal-Lok Thread
2	5/16 - 24	5/16 - 24	---
3	3/8 - 24	3/8 - 24	---
4	7/16 - 20	7/16 - 20	9/16 - 18
5	1/2 - 20	1/2 - 20	---
6	9/16 - 18	9/16 - 18	11/16 - 16
8	3/4 - 16	3/4 - 16	13/16 - 16
10	7/8 - 14	7/8 - 14	1 - 14
12	1-1/16 - 12	1-1/16 - 12	1-3/16 - 12
14	1-3/16 - 12	1-3/16 - 12	---
16	1-5/16 - 12	1-5/16 - 12	1-7/16 - 12
20	1-5/8 - 12	1-5/8 - 12	1-11/16 - 12
24	1-7/8 - 12	1-7/8 - 12	2 - 12
32	2-1/2 - 12	2-1/2 - 12	---

SAE Dash Size	TORQUE					
	SAE 37° Flare		O-Ring Straight Thread		Seal-Lok	
	Lbs-Ft	N-m	Lbs-Ft	N-m	Lbs-Ft	N-m
2	4	5	4	5	---	---
3	8	11	9	12	---	---
4	12	16	16	22	18	25
5	15	20	22	30	---	---
6	18	25	35	48	27	37
8	37	50	60	82	40	54
10	48	65	105	143	63	86
12	74	100	140	190	92	125
14	88	120	184	250	---	---
16	100	135	221	300	122	165
20	133	180	258	350	147	200
24	166	225	317	430	166	225
32	236	320	---	---	---	---

QUICK COUPLER KITS

Make		High-Flow with Auxiliary		High-Flow with No Auxiliary		Low-Flow	
		QC Kit	Description	QC Kit	Description	QC Kit	Description
Bobcat		HC356	Flush Face	HC355	Flush Face	HC357	Flush Face
	Vintage					HC243	Poppet
						HC211	Ag Ball Valve
Case		1013825	Flush Face	HC212	Flush Face	HC279	Flush Face
	Vintage	HC278	Flush Face			HC211	Ag Ball Valve
		HC209	Flush Face & Ag Ball Valve				
Cat		HC538	Flush Face	1014196	Flush Face	1014197	Flush Face
Daewoo		HC209	Flush Face	HC212	Flush Face	HC211	Ag Ball Valve
Gehl		HC398	Flush Face	1014195	Flush Face	HC400	Flush Face
	Vintage			HC305	Poppet & Ag Ball		
John Deere		1014198	Flush Face	1013826	Flush Face	HC310	Flush Face
Komatsu		1013834	Flush Face	1013833	Flush Face	1013835	Flush Face
New Holland		1014199	Flush Face	HC308	Flush Face	HC310	Flush Face
Scat Trak		HC537	Flush Face			HC243	Poppet

QUICK COUPLER KIT COMPONENTS

QC KIT	Includes	Style	Male/Female	Body Size	Hose End
HC209	HC193	Flush Face	Male	3/4	SAE #12 O-ring
	HC194	Flush Face	Female	3/4	SAE #12 O-ring
	HC195	Ag Ball	Female	1/2	1/2-14 NPT
	HC196	Ag Ball	Male	1/2	1/2-14 NPT
	HC197	Flush Face	Female	1/2	SAE #10 O-ring
HC211	HC195	Ag Ball	Female	1/2	1/2-14 NPT
	HC196	Ag Ball	Male	1/2	1/2-14 NPT
HC212	HC193	Flush Face	Male	3/4	SAE #12 O-ring
	HC194	Flush Face	Female	3/4	SAE #12 O-ring
	HC197	Flush Face	Female	1/2	SAE #10 O-ring
HC278	HC193	Flush Face	Male	3/4	SAE #12 O-ring
	HC194	Flush Face	Female	3/4	SAE #12 O-ring
	HC197	Flush Face	Female	1/2	SAE #10 O-ring
	HC201	Flush Face	Male	1/2	SAE #10 O-ring
HC279	HC197	Flush Face	Female	1/2	SAE #10 O-ring
	HC201	Flush Face	Male	1/2	SAE #10 O-ring

QUICK COUPLER KIT COMPONENTS

QC KIT	Includes	Style	Male/Female	Body Size	Hose End
HC308	HC416	Flush Face	Female	5/8	SAE #12 O-ring
	HC417	Flush Face	Male	5/8	SAE #12 O-ring
	HC418	Flush Face	Male	3/8	SAE #8 O-ring
HC310	HC414	Flush Face	Male	1/2	SAE #12 O-ring
	HC415	Flush Face	Female	1/2	SAE #12 O-ring
HC355	HC344	Flush Face	Male	12 mm	SAE #12 O-ring
	HC345	Flush Face	Female	12 mm	SAE #12 O-ring
	HC346	Flush Face	Female	9 mm	SAE #8 O-ring
HC356	HC342	Flush Face	Female	7 mm	SAE #6 O-ring
	HC343	Flush Face	Male	7 mm	SAE #6 O-ring
	HC344	Flush Face	Male	12 mm	SAE #12 O-ring
	HC345	Flush Face	Female	12 mm	SAE #12 O-ring
	HC346	Flush Face	Female	9 mm	SAE #8 O-ring
HC357	HC344	Flush Face	Male	12 mm	SAE #12 O-ring
	HC345	Flush Face	Female	12 mm	SAE #12 O-ring
HC398	HC344	Flush Face	Male	12 mm	SAE #12 O-ring
	HC345	Flush Face	Female	12 mm	SAE #12 O-ring
	HC346	Flush Face	Female	9 mm	SAE #8 O-ring
HC400	HC344	Flush Face	Male	12 mm	SAE #12 O-ring
	HC345	Flush Face	Female	12 mm	SAE #12 O-ring
HC537	HC415	Flush Face	Female	1/2	SAE #12 O-ring
	HC416	Flush Face	Female	5/8	SAE #12 O-ring
	HC417	Flush Face	Male	5/8	SAE #12 O-ring
	HC418	Flush Face	Male	3/8	SAE #8 O-ring
HC538	HC521	Flush Face	Female	16 mm	SAE #12 O-ring
	HC522	Flush Face	Male	16 mm	SAE #12 O-ring
	1532994	Flush Face	Female	3/4	SAE #12 O-ring
	1532995	Flush Face	Male	3/4	SAE #12 O-ring
	1532997	Flush Face	Female	1/2	SAE #8 O-ring
1013825	HC417	Flush Face	Male	5/8	SAE #12 O-ring
	HC418	Flush Face	Male	3/8	SAE #8 O-ring
	HC545	Flush Face	Female	5/8	SAE #12 O-ring
	HC546	Flush Face	Female	1/2	SAE #10 O-ring
	HC547	Flush Face	Male	1/2	SAE #10 O-ring
1013826	HC343	Flush Face	Male	7 mm	SAE #6 O-ring
	HC521	Flush Face	Female	16 mm	SAE #12 O-ring
	HC522	Flush Face	Male	16 mm	SAE #12 O-ring
1013833	HC415	Flush Face	Female	1/2	SAE #12 O-ring
	HC521	Flush Face	Female	16 mm	SAE #12 O-ring
	HC522	Flush Face	Male	16 mm	SAE #12 O-ring

QUICK COUPLER KIT COMPONENTS

QC KIT	Includes	Style	Male/Female	Body Size	Hose End
1013834	HC414	Flush Face	Male	1/2	SAE #12 O-ring
	HC415	Flush Face	Female	1/2	SAE #12 O-ring
	HC521	Flush Face	Female	16 mm	SAE #12 O-ring
	HC522	Flush Face	Male	16 mm	SAE #12 O-ring
1013835	46058	Flush Face	M/F Set	3/4	SAE #12 O-ring
1014195	HC344	Flush Face	Male	12 mm	SAE #12 O-ring
	HC345	Flush Face	Female	12 mm	SAE #12 O-ring
	HC346	Flush Face	Female	9 mm	SAE #8 O-ring
1014196	HC521	Flush Face	Female	16 mm	SAE #12 O-ring
	HC522	Flush Face	Male	16 mm	SAE #12 O-ring
	1532997	Flush Face	Female	1/2	SAE #8 O-ring
1014197	1532994	Flush Face	Female	3/4	SAE #10 O-ring
	1532995	Flush Face	Male	3/4	SAE #10 O-ring
1014198	HC343	Flush Face	Male	7 mm	SAE #6 O-ring
	HC414	Flush Face	Male	1/2	SAE #12 O-ring
	HC415	Flush Face	Female	1/2	SAE #12 O-ring
	HC521	Flush Face	Female	16 mm	SAE #12 O-ring
	HC522	Flush Face	Male	16 mm	SAE #12 O-ring
1014199	HC414	Flush Face	Male	1/2	SAE #12 O-ring
	HC415	Flush Face	Female	1/2	SAE #12 O-ring
	HC416	Flush Face	Female	5/8	SAE #12 O-ring
	HC417	Flush Face	Male	5/8	SAE #12 O-ring
	HC418	Flush Face	Male	3/8	SAE #8 O-ring

BOLT TORQUE CHART

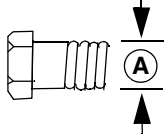
Always tighten hardware to these values unless a different torque value or tightening procedure is listed for a specific application.

Fasteners must always be replaced with the same grade as specified in the manual parts list.

Always use the proper tool for tightening hardware: SAE for SAE hardware and Metric for metric hardware.

Make sure fastener threads are clean and you start thread engagement properly.

All torque values are given to specifications used on hardware defined by SAE J1701 MAR 99 & J1701M JUL 96.



SAE SERIES TORQUE CHART



SAE Grade 2
(No Dashes)

SAE Bolt Head Identification

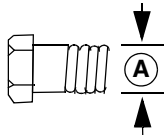


SAE Grade 5
(3 Radial Dashes)



SAE Grade 8
(6 Radial Dashes)

Ⓐ Diameter (Inches)	Wrench Size	MARKING ON HEAD					
		SAE 2		SAE 5		SAE 8	
		lbs-ft	N-m	lbs-ft	N-m	lbs-ft	N-m
1/4"	7/16"	6	8	10	13	14	18
5/16"	1/2"	12	17	19	26	27	37
3/8"	9/16"	23	31	35	47	49	67
7/16"	5/8"	36	48	55	75	78	106
1/2"	3/4"	55	75	85	115	120	163
9/16"	13/16"	78	106	121	164	171	232
5/8"	15/16"	110	149	170	230	240	325
3/4"	1-1/8"	192	261	297	403	420	569
7/8"	1-5/16"	306	416	474	642	669	907
1"	1-1/2"	467	634	722	979	1020	1383



METRIC SERIES TORQUE CHART



Metric
Grade 8.8

Metric Bolt Head Identification

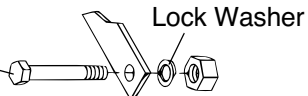


Metric
Grade 10.9

Ⓐ Diameter & Thread Pitch (Millimeters)	Wrench Size	COARSE THREAD				FINE THREAD				Ⓐ Diameter & Thread Pitch (Millimeters)
		MARKING ON HEAD								
		Metric 8.8		Metric 10.9		Metric 8.8		Metric 10.9		
		N-m	lbs-ft	N-m	lbs-ft	N-m	lbs-ft	N-m	lbs-ft	
6 x 1.0	10 mm	8	6	11	8	8	6	11	8	6 x 1.0
8 x 1.25	13 mm	20	15	27	20	21	16	29	22	8 x 1.0
10 x 1.5	16 mm	39	29	54	40	41	30	57	42	10 x 1.25
12 x 1.75	18 mm	68	50	94	70	75	55	103	76	12 x 1.25
14 x 2.0	21 mm	109	80	151	111	118	87	163	120	14 x 1.5
16 x 2.0	24 mm	169	125	234	173	181	133	250	184	16 x 1.5
18 x 2.5	27 mm	234	172	323	239	263	194	363	268	18 x 1.5
20 x 2.5	30 mm	330	244	457	337	367	270	507	374	20 x 1.5
22 x 2.5	34 mm	451	332	623	460	495	365	684	505	22 x 1.5
24 x 3.0	36 mm	571	421	790	583	623	459	861	635	24 x 2.0
30 x 3.0	46 mm	1175	867	1626	1199	1258	928	1740	1283	30 x 2.0

Typical Washer Installations

Bolt



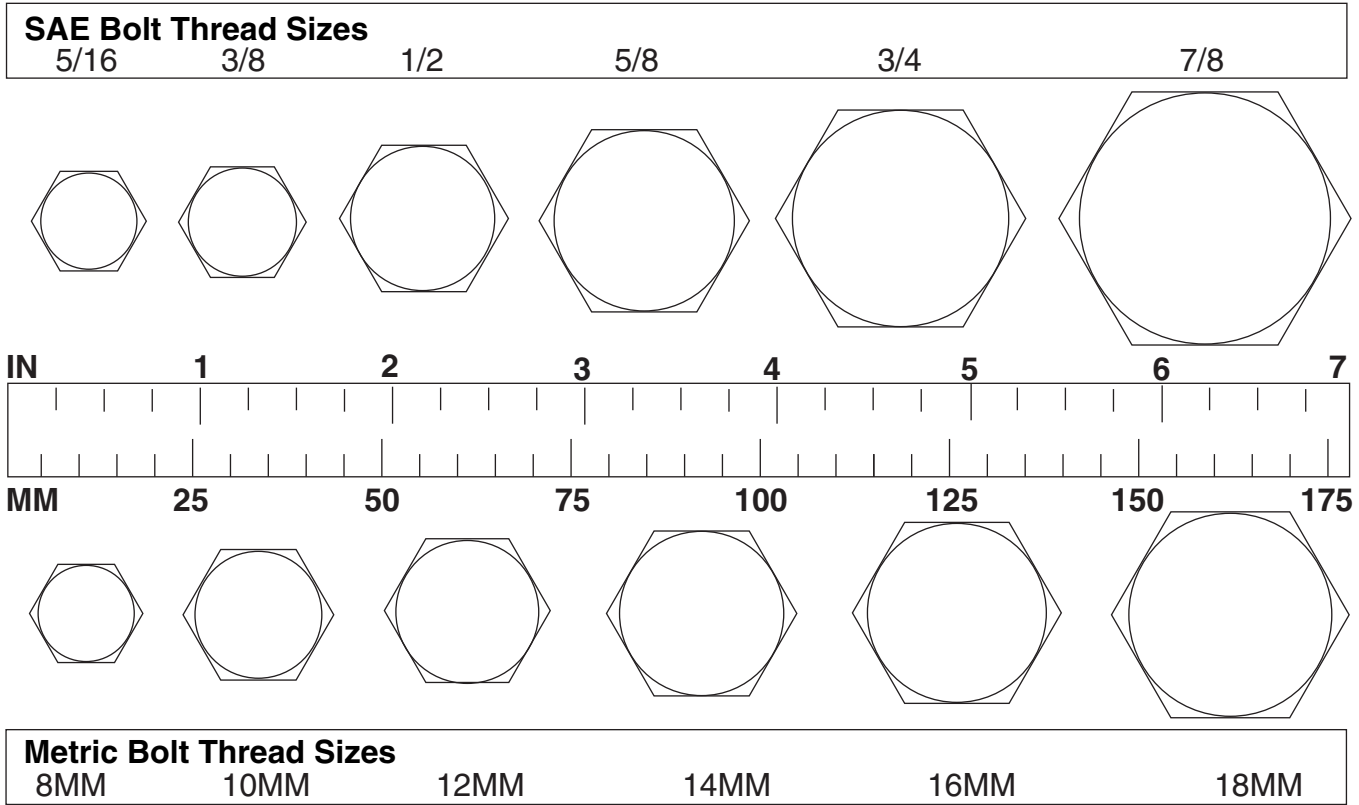
Flat Washer



8/9/00

BOLT SIZE CHART

NOTE: Chart shows bolt thread sizes and corresponding head (wrench) sizes for standard SAE and metric bolts.



ABBREVIATIONS

AG	Agriculture	MPa.....	Mega Pascal
ASABE.....	American Society of Agricultural & Biological Engineers (formerly ASAE)	N.....	Newton
ASAE	American Society of Agricultural Engineers	NC	National Coarse
ATF	Automatic Transmission Fluid	NF	National Fine
BSPP	British Standard Pipe Parallel	NPSM.....	National Pipe Straight Mechanical
BSPTM	British Standard Pipe Tapered Male	NPT	National Pipe Tapered
CV.....	Constant Velocity	NPT SWF	National Pipe Tapered Swivel Female
CCW	Counter-Clockwise	ORB.....	O-Ring Boss - Male
CW.....	Clockwise	P.....	Pitch
F	Female	PBY	Power-Beyond
FT	Full Thread	psi.....	Pounds per Square Inch
GA.....	Gauge	PTO.....	Power Take Off
GR (5, etc.)	Grade (5, etc.)	QD.....	Quick Disconnect
HHCS	Hex Head Cap Screw	RH.....	Right Hand
HT.....	Heat-Treated	ROPS	Roll-Over Protective Structure
JIC	Joint Industry Council 37° Degree Flare	RPM	Revolutions Per Minute
LH.....	Left Hand	RT.....	Right
LT.....	Left	SAE	Society of Automotive Engineers
m.....	Meter	UNC	Unified Coarse
mm.....	Millimeter	UNF	Unified Fine
M.....	Male	UNS.....	Unified Special


WARRANTY
Construction Equipment

Please Enter Information Below and Save for Future Reference.

Date of Purchase: _____

From (Dealer): _____

Model Number: _____

Serial Number: _____

Woods Equipment Company ("WOODS") warrants this product to be free from defects in material and workmanship. Except as otherwise set forth below, the duration of this Warranty shall be twelve (12) months commencing on the in-service date of the product or fifteen months after shipment from the factory or 2,000 hours of service, whichever occurs first. Proof of the in-service date must be provided for claims involving product that originally shipped more than twelve (12) months prior to the date of the claim.

Under no circumstances will this Warranty apply in the event that the product, in the good faith opinion of WOODS, has been subjected to improper operation, improper maintenance, misuse, inappropriate application or an accident. This Warranty does not apply in the event that the product has been materially modified or repaired by someone other than WOODS, a WOODS authorized dealer or distributor, and/or a WOODS authorized service center. This Warranty does not cover normal wear and tear, or normal maintenance items, as more specifically described below. This Warranty also does not cover repairs made with parts other than those obtained through WOODS.

This Warranty is extended solely to the original purchaser of new and unused product, including, but not limited to, purchases made from authorized Woods dealers. Should such original purchaser sell or otherwise transfer this product to a third party, this Warranty does not transfer to the third party purchaser in any way. There are no third party beneficiaries of this Warranty.

WOODS' obligation under this Warranty is limited to, at WOODS' option, the repair or replacement, free of charge, of the product if WOODS, in its sole discretion, deems it to be defective or in noncompliance with this Warranty. **The product must be returned to WOODS with proof of purchase within thirty (30) days after such defect or noncompliance is discovered or should have been discovered, routed through the dealer and distributor from whom the purchase was made, transportation charges prepaid.** WOODS shall complete such repair or replacement within a reasonable time after WOODS receives the product. **THERE ARE NO OTHER REMEDIES UNDER THIS WARRANTY. THE REMEDY OF REPAIR OR REPLACEMENT IS THE SOLE AND EXCLUSIVE REMEDY UNDER THIS WARRANTY.**

THERE ARE NO WARRANTIES, WHICH EXTEND BEYOND THE DESCRIPTION ON THE FACE OF THIS WARRANTY. WOODS MAKES NO OTHER WARRANTY, EXPRESS OR IMPLIED, AND WOODS SPECIFICALLY DISCLAIMS ANY IMPLIED WARRANTY OF MERCHANTABILITY AND/OR ANY IMPLIED WARRANTY OF FITNESS FOR A PARTICULAR PURPOSE.

WOODS shall not be liable for any incidental or consequential losses, damages or expenses, arising directly or indirectly from the product, whether such claim is based upon breach of contract, breach of warranty, negligence, strict liability in tort or any other legal theory. Without limiting the generality of the foregoing, WOODS specifically disclaims any damages relating to (i) lost profits, business, revenue or goodwill; (ii) any expense or loss incurred for labor, supplies, substitute machinery or rental; or (iii) any other type of damage to property or economic loss.

This Warranty is subject to any existing conditions of supply, which may directly affect WOODS' ability to obtain materials or manufacturer replacement parts.

No agent, representative, dealer, distributor, serviceperson, or employee of any company, including without limitation, WOODS, its authorized dealers, distributors, and service centers, is authorized to alter, modify or enlarge this Warranty.

Contact an authorized WOODS dealer or service center for warranty service. Common issues that would NOT be covered by this Warranty Policy include, but are not limited to, the examples listed below this Policy.

ALITEC™
CENTRAL FABRICATORS®
GANNON®
WAIN-ROY®
WOODS®

WOODS
CONSTRUCTION

WOODS® | A Blount International Brand
1962 Queenland Drive
Mosinee, Wisconsin 54455 USA
800-848-3447 CE tel
715-692-5987 fax
woodsequipment.com

Examples of Common, Non-Covered Claims

1. The owner and operator are responsible for maintaining weld integrity on attachments subject to weld erosion from ongoing contact with soils, rocks, and other materials. Different materials have differing abrasive characteristics that will erode the structural welds of ground-engaging attachments at differing rates. Structural failures may occur as a result of excessive weld erosion. The owner and operator are responsible for maintaining necessary weld sizes and re-welding eroded welds with industry-approved procedures. Woods will not accept warranty claims for weld erosion or structural failures of the attachment as a result of weld erosion.
2. Attachments are used extensively in ground-engaging operations and, as a result, the teeth, tooth holders, cutting edges, bucket edges, ripper shanks, and other portions of the attachment are subject to abrasion and resulting wear. Woods will not accept warranty claims for wear of components or wear of areas of the attachment subject to ground-engaging wear.
3. The owner and operator are responsible for examining the attachment for any weld or structural cracking. Any such cracking caused by a defect in materials or workmanship by Woods will be covered under the Woods Warranty Policy. If the owner or operator continues to operate the attachment after weld cracking or structural cracking is visible or should have reasonably been visible, and as a result of continued operation, additional damage to the attachment results, Woods will not accept responsibility for the additional damage caused to other welds or to the attachment structure.
4. Materially modifying Woods attachments may result in premature failures of the attachment. Woods will not accept warranty claims on attachments that have been materially modified.
5. Misapplications of attachments may result in premature wear, breakage, or structural failures of the attachment. Woods will not accept warranty claims on attachments that have been misapplied. For instance, using a general purpose excavator bucket in an application requiring a heavy or severe duty bucket or using the excavator bucket as a "jack hammer" to break concrete are considered misapplications.

©2018 Woods Equipment Company. All rights reserved. WOODS, the Woods logo, and "Tested. Proven. Unbeatable." are trademarks of Woods Equipment Company. All other trademarks, trade names, or service marks not owned by Woods Equipment Company that appear in this manual are the property of their respective companies or mark holders. Specifications subject to change without notice.

W-10023-V CE Manuals (Rev. 10/1/2018)



WARRANTY

(Replacement Parts For All Models Except Zero-Turn Mowers)

Woods Equipment Company (“WOODS”) warrants this product to be free from defect in material and workmanship for a period of ninety (90) days from the date of delivery of the product to the original purchaser with the exception of V-belts, which will be free of defect in material and workmanship for a period of 12 months.

Under no circumstances will this Warranty apply in the event that the product, in the good faith opinion of WOODS, has been subjected to improper operation, improper maintenance, misuse, or an accident. This Warranty does not cover normal wear or tear, or normal maintenance items.

This Warranty is extended solely to the original purchaser of the product. Should the original purchaser sell or otherwise transfer this product to a third party, this Warranty does not transfer to the third party purchaser in any way. There are no third party beneficiaries of this Warranty.

WOODS’ obligation under this Warranty is limited to, at WOODS’ option, the repair or replacement, free of charge, of the product if WOODS, in its sole discretion, deems it to be defective or in noncompliance with this Warranty. **The product must be returned to WOODS with proof of purchase within thirty (30) days after such defect or noncompliance is discovered or should have been discovered, routed through the dealer and distributor from whom the purchase was made, transportation charges prepaid.** WOODS shall complete such repair or replacement within a reasonable time after WOODS receives the product. THERE ARE NO OTHER REMEDIES UNDER THIS WARRANTY. THE REMEDY OF REPAIR OR REPLACEMENT IS THE SOLE AND EXCLUSIVE REMEDY UNDER THIS WARRANTY.

THERE ARE NO WARRANTIES WHICH EXTEND BEYOND THE DESCRIPTION ON THE FACE OF THIS WARRANTY. WOODS MAKES NO OTHER WARRANTY, EXPRESS OR IMPLIED, AND WOODS SPECIFICALLY DISCLAIMS ANY IMPLIED WARRANTY OF MERCHANTABILITY AND/OR ANY IMPLIED WARRANTY OF FITNESS FOR A PARTICULAR PURPOSE.

WOODS shall not be liable for any incidental or consequential losses, damages or expenses, arising directly or indirectly from the product, whether such claim is based upon breach of contract, breach of warranty, negligence, strict liability in tort or any other legal theory. Without limiting the generality of the foregoing, Woods specifically disclaims any damages relating to (i) lost profits, business, revenues or goodwill; (ii) loss of crops; (iii) loss because of delay in harvesting; (iv) any expense or loss incurred for labor, supplies, substitute machinery or rental; or (v) any other type of damage to property or economic loss.

This Warranty is subject to any existing conditions of supply which may directly affect WOODS’ ability to obtain materials or manufacture replacement parts.

No agent, representative, dealer, distributor, service person, salesperson, or employee of any company, including without limitation, WOODS, its authorized dealers, distributors, and service centers, is authorized to alter, modify, or enlarge this Warranty.

Answers to any questions regarding warranty service and locations may be obtained by contacting:

WOODS® | A Blount International Brand

2606 South Illinois Route 2
Post Office Box 1000
Oregon, Illinois 61061 USA

800-319-6637 tel
800-399-6637 fax
woodsequipment.com

ALITEC™
CENTRAL FABRICATORS®
GANNON®
WAIN-ROY®
WOODS®

PART NO.
MCP40S/C

WOODS® | A Blount International Brand

2606 South Illinois Route 2
Post Office Box 1000
Oregon, Illinois 61061 USA

800-319-6637 tel
800-399-6637 fax
woodsequipment.com

WOODS®

© 2019 Woods Equipment Company. All rights reserved. Woods® and the Woods logo are trademarks of Woods Equipment Company. All other trademarks, trade names, or service marks not owned by Woods Equipment Company that appear in this manual are the property of their respective companies or mark holders. Specifications subject to change without notice.