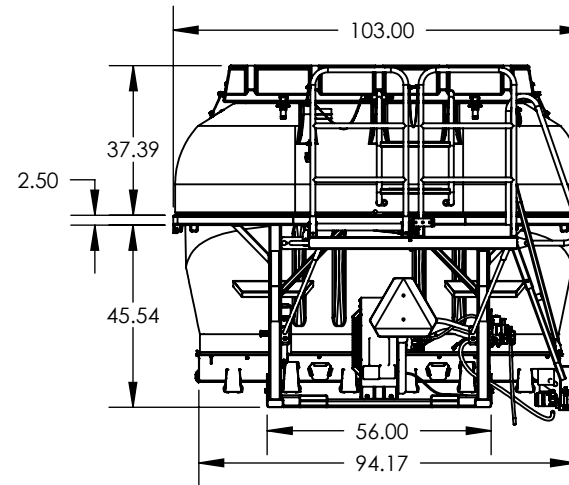
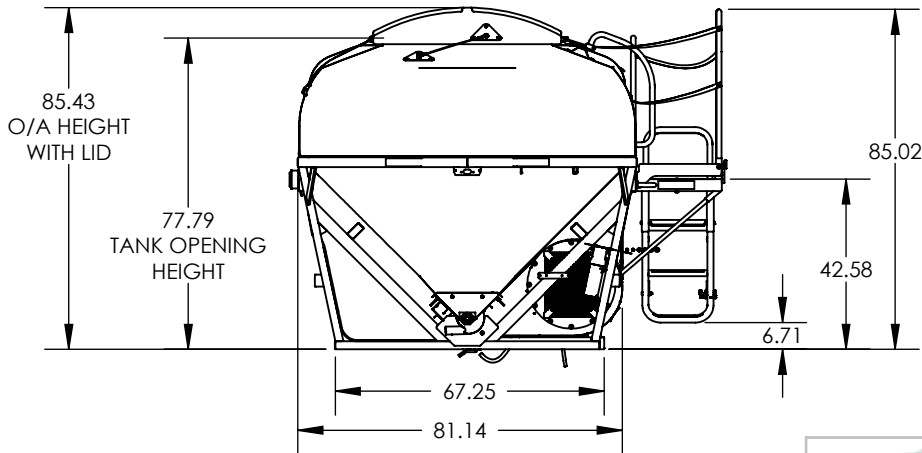
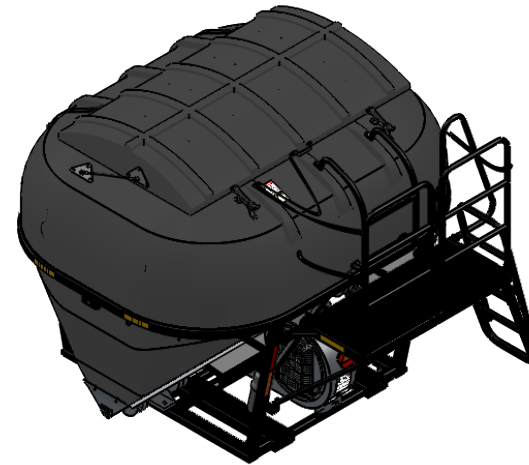


NOTE: LID REMOVED TO SHOW DETAIL



MONTAG MFG

3816 461st AVE,
Emmetsburg, IA 50536

P: 712-852-4572
F: 712-852-4574
www.montagmfg.com

DO NOT SCALE DRAWING
UNLESS OTHERWISE SPECIFIED:
DIMENSIONS ARE IN INCHES

TOLERANCES ARE AS FOLLOWS:
FRACTIONAL ± 1/32
ANGULAR: ± 1°
TWO PLACE DECIMAL ± .03
THREE PLACE DECIMAL ± .003

MATERIAL N/A
FINISH N/A

CONFIDENTIAL:
This drawing and design is proprietary
and confidential to Montag
Manufacturing, Inc.

	NAME	DATE
DRAWN	SEC	4/22/14
APPROVED	SEC	02/04/15

COMMENTS:

TITLE:

**6 Ton Unit - 12 Row
Standard Meter**

SIZE	PART. NO.	REV
A	S12A6	B
SCALE: 1:48	WEIGHT: 1800.00	SHEET 6 OF 6