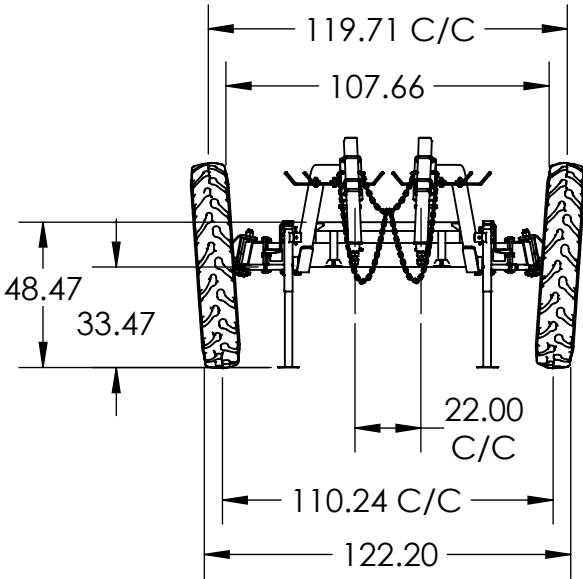
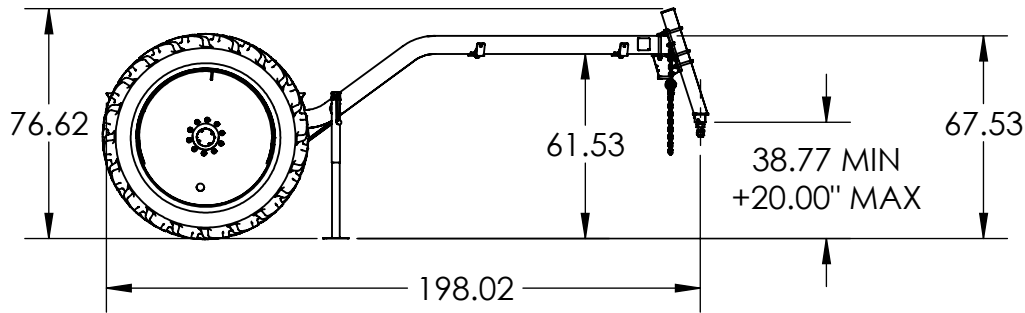
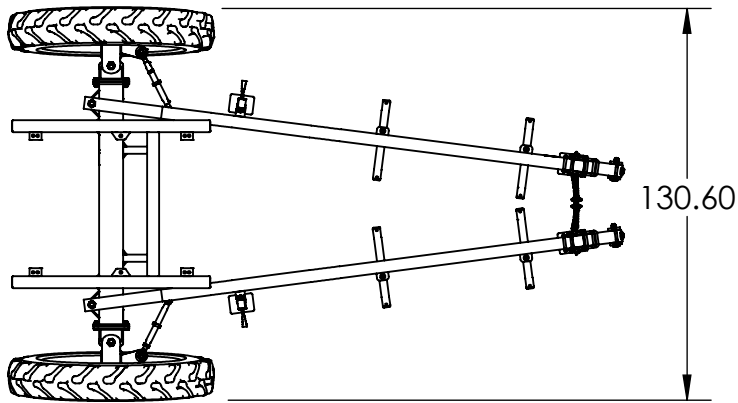


OPTIONS AS SHOWN		
OPTION	PART #	DESCRIPTION
Tires	A000175/ A000304	Tire Assembly - 320/90 R46" 10 Bolt Small
Adj. Axle	N/A	N/A (Req. P000350)
Coupler Style	A000034	Hitch - Adj. (Req. A000017)

NOTE: ALL TIRE DIMENSIONS ARE APPROXIMATE

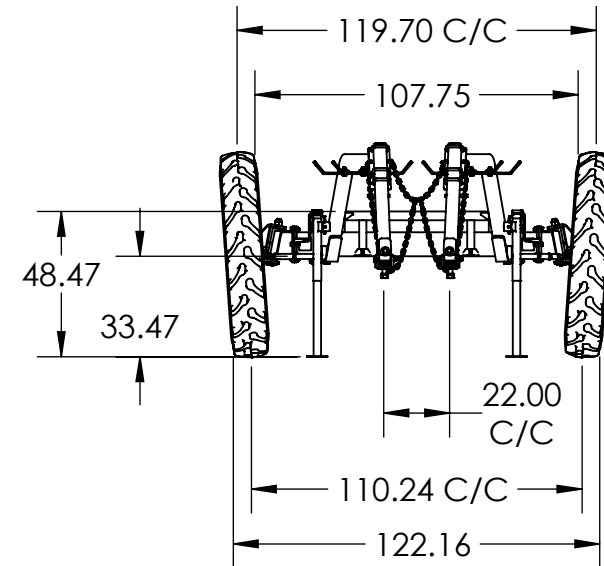
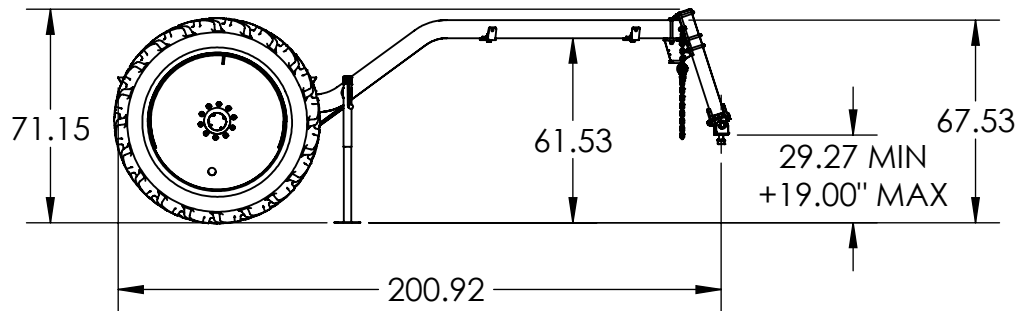


		MONTAG MFG 3816 461st AVE, Emmetsburg, IA 50536		P: 712-852-4572 F: 712-852-4574 www.montagmfg.com	
		DO NOT SCALE DRAWING UNLESS OTHERWISE SPECIFIED: DIMENSIONS ARE IN INCHES TOLERANCES ARE AS FOLLOWS: FRACTIONAL ± 1/32 ANGULAR: ± 1 TWO PLACE DECIMAL ±.03 THREE PLACE DECIMAL ±.003		CONFIDENTIAL: This drawing and design is proprietary and confidential to Montag Manufacturing, Inc.	
MATERIAL N/A		DRAWN BB 7/9/12		NAME DATE	
FINISH NA		APPROVED SEC 03/17/17		COMMENTS:	
		SIZE A		PART. NO. C06M	
		SCALE: 1:64		WEIGHT: 2719.82	
		REV D-01			



OPTIONS AS SHOWN		
OPTION	PART #	DESCRIPTION
Tires	A000175/ A000304	Tire Assembly - 320/90 R46" 10 Bolt Small
Adj. Axle	N/A	N/A (Req. P-0350)
Coupler Style	A000020	Hitch - Knuckle Assembly (Req. W000237)

NOTE: ALL TIRE DIMENSIONS ARE APPROXIMATE



MONTAG MFG

3816 461st AVE,
Emmetsburg, IA 50536

P: 712-852-4572
F: 712-852-4574
www.montagmfg.com

DO NOT SCALE DRAWING
UNLESS OTHERWISE SPECIFIED:
DIMENSIONS ARE IN INCHES

TOLERANCES ARE AS FOLLOWS:
FRACTIONAL ± 1/32
ANGULAR: ± 1
TWO PLACE DECIMAL ±.03
THREE PLACE DECIMAL ±.003

MATERIAL N/A

FINISH NA

CONFIDENTIAL:
This drawing and design is proprietary
and confidential to Montag
Manufacturing, Inc.

	NAME	DATE
DRAWN	BB	7/9/12
APPROVED	SEC	03/17/17

COMMENTS:

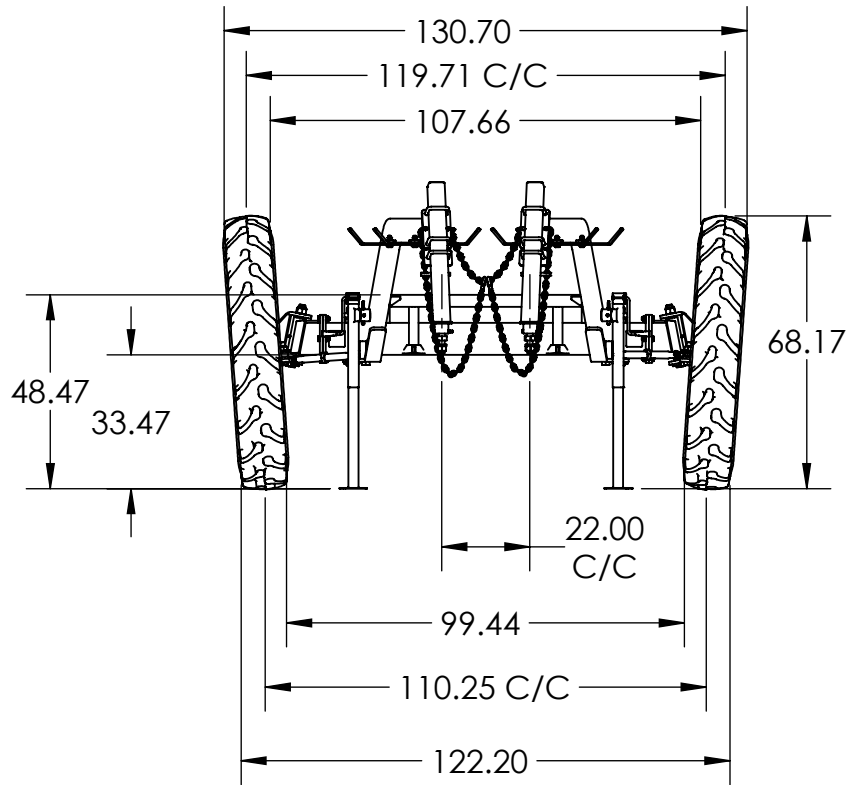
TITLE:

Auto-Steer Cart - 6Ton
Metric Adjustable Axle
(110")

SIZE	PART. NO.	REV
A	C06M	D-01

SCALE: 1:64 WEIGHT: 2719.82

**C06M-
A000175/A000304
320/90 R46"**



NOTE: ALL TIRE DIMENSIONS ARE APPROXIMATE



MONTAG MFG

3816 461st AVE,
Emmetsburg, IA 50536

P: 712-852-4572
F: 712-852-4574
www.montagmfg.com

DO NOT SCALE DRAWING
UNLESS OTHERWISE SPECIFIED:
DIMENSIONS ARE IN INCHES

TOLERANCES ARE AS FOLLOWS:
FRACTIONAL $\pm 1/32$
ANGULAR: ± 1
TWO PLACE DECIMAL $\pm .03$
THREE PLACE DECIMAL $\pm .003$

MATERIAL
N/A

FINISH
NA

CONFIDENTIAL:
This drawing and design is proprietary
and confidential to Montag
Manufacturing, Inc.

	NAME	DATE
DRAWN	BB	7/9/12
APPROVED	SEC	03/17/17

COMMENTS:

TITLE:

**Auto-Steer Cart - 6Ton
Metric Adjustable Axle
(110")**

SIZE	PART. NO.	REV
A	C06M	D-01

SCALE: 1:48 WEIGHT: 2719.82