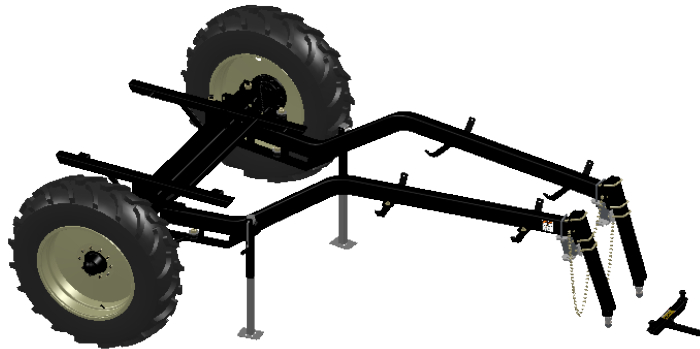
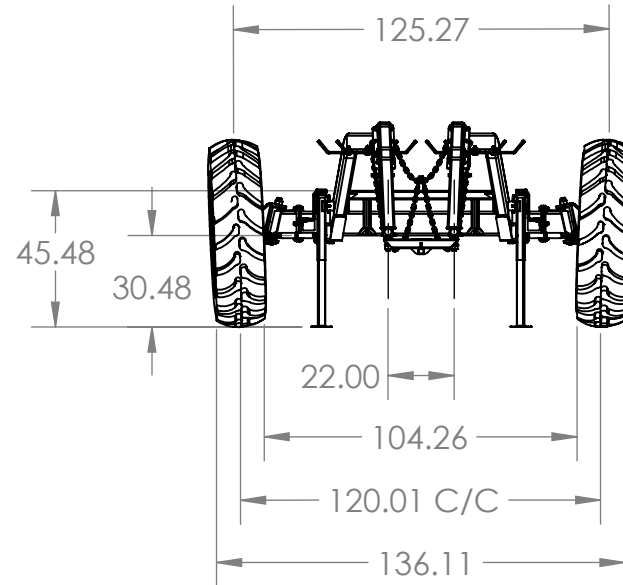
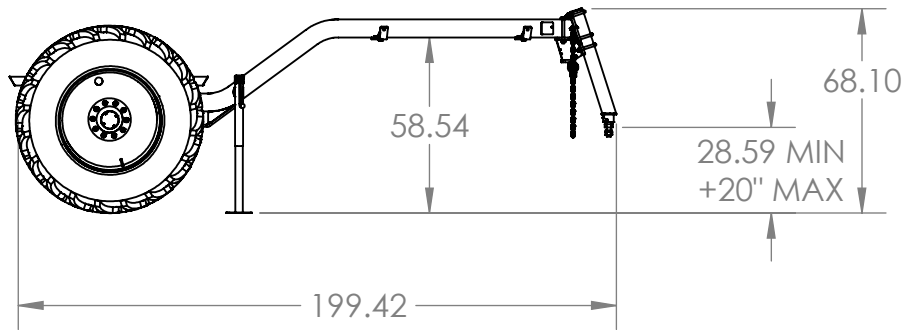

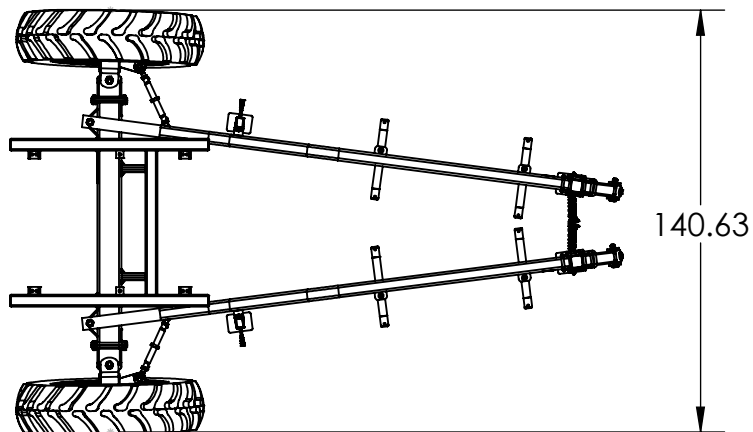


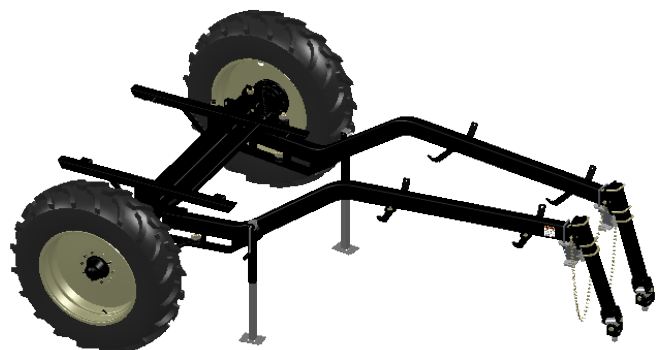
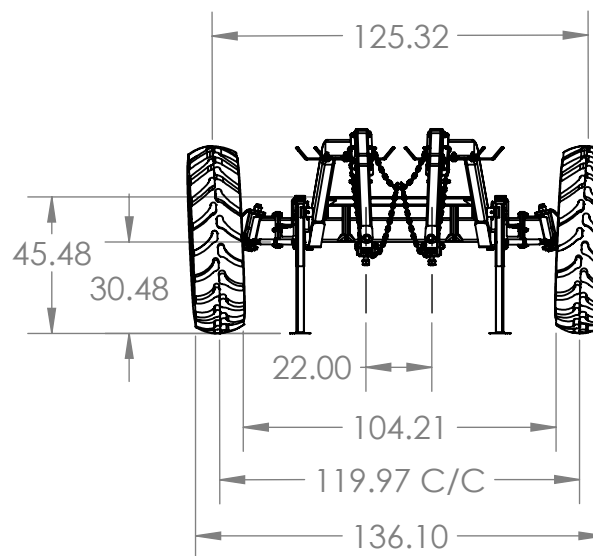
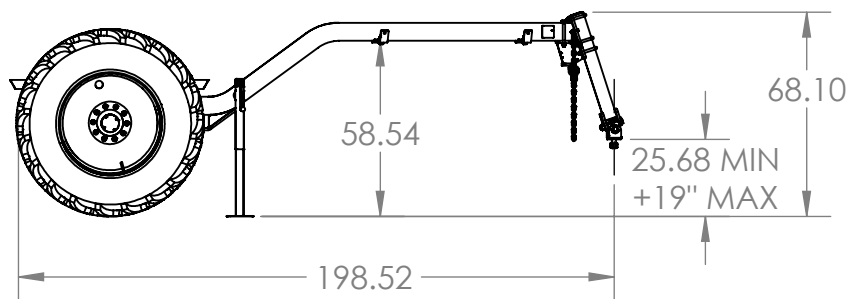
OPTIONS AS SHOWN		
OPTION	PART #	DESCRIPTION
Tires	A000005	Tire Assembly - 420/85 R34" 10 Bolt Small
Adj. Axle	N/A	N/A (Req. P000350)
Coupler Style	A000034	Hitch - Adj. (Req. A000017)




		MONTAG MFG 3816 461st AVE, Emmetsburg, IA 50536		P: 712-852-4572 F: 712-852-4574 www.montagmfg.com	
		DO NOT SCALE DRAWING UNLESS OTHERWISE SPECIFIED: DIMENSIONS ARE IN INCHES TOLERANCES ARE AS FOLLOWS: FRACTIONAL ± 1/32 ANGULAR: ± 1 TWO PLACE DECIMAL ±.03 THREE PLACE DECIMAL ±.003		CONFIDENTIAL: This drawing and design is proprietary and confidential to Montag Manufacturing, Inc.	
MATERIAL N/A		DRAWN SEC 11/3/2014		APPROVED IJM 01/06/17	
FINISH N/A		COMMENTS:		SIZE A	
				PART. NO. C06B	
				REV E	
				SCALE: 1:64 WEIGHT: 3473.36	



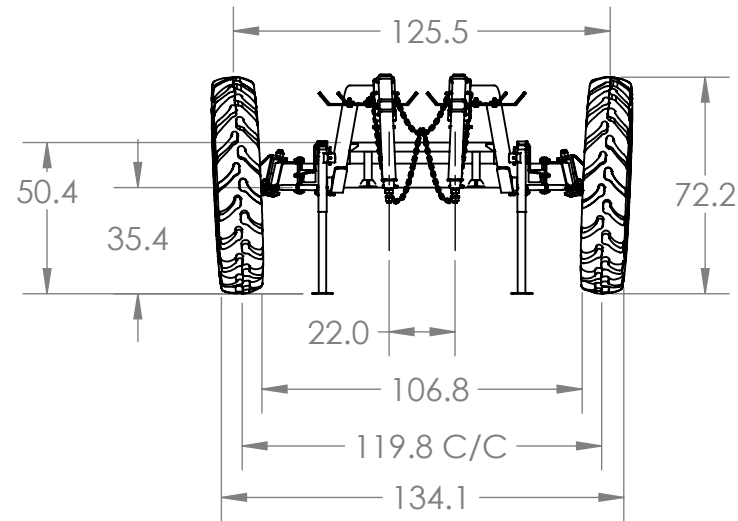
OPTIONS AS SHOWN		
OPTION	PART #	DESCRIPTION
Tires	A000005	Tire Assembly - 420/85 R34" 10 Bolt Small
Adj. Axle	N/A	N/A (Req. P000350)
Coupler Style	A000020	Hitch - Knuckle Assembly (Req. W000237)



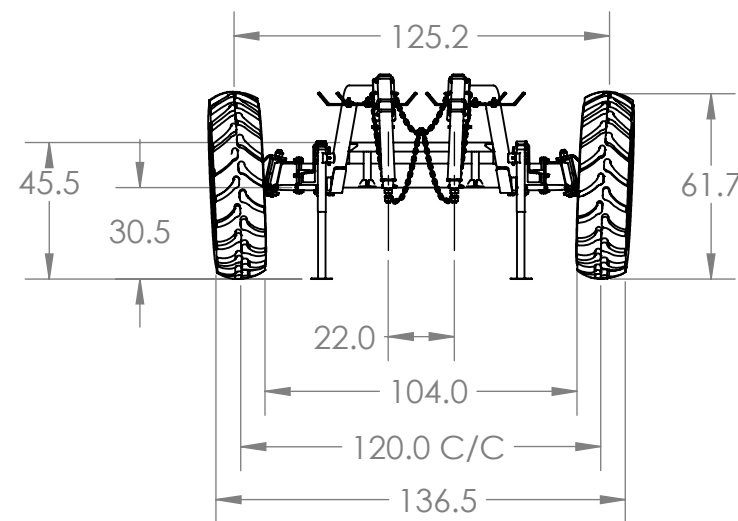
		MONTAG MFG 3816 461st AVE, Emmetsburg, IA 50536		P: 712-852-4572 F: 712-852-4574 www.montagmfg.com	
		DO NOT SCALE DRAWING UNLESS OTHERWISE SPECIFIED: DIMENSIONS ARE IN INCHES TOLERANCES ARE AS FOLLOWS: FRACTIONAL ± 1/32 ANGULAR: ± 1 TWO PLACE DECIMAL ±.03 THREE PLACE DECIMAL ±.003		CONFIDENTIAL: This drawing and design is proprietary and confidential to Montag Manufacturing, Inc.	
MATERIAL N/A		DRAWN SEC 11/3/2014		APPROVED IJM 01/06/17	
FINISH N/A		COMMENTS:		SIZE A	
				PART. NO. C06B	
				REV E	
				SCALE: 1:64 WEIGHT:3473.36	

0" OFFSET

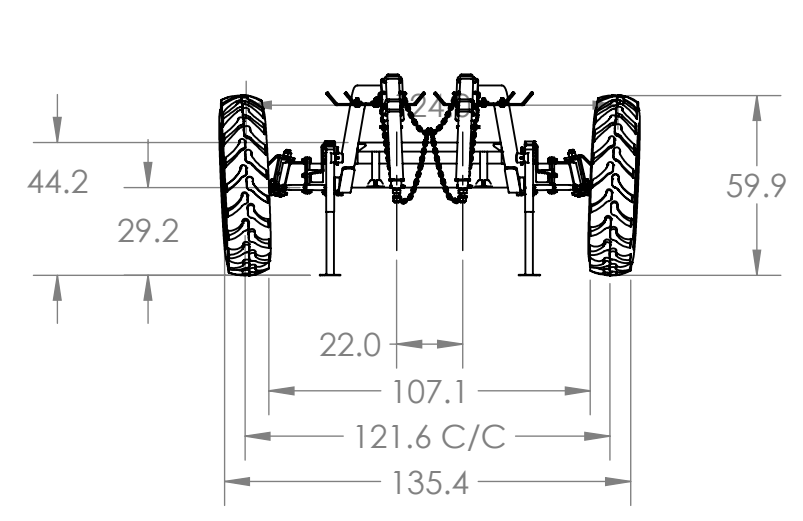
C06B-B
A000004
380/90 R46"



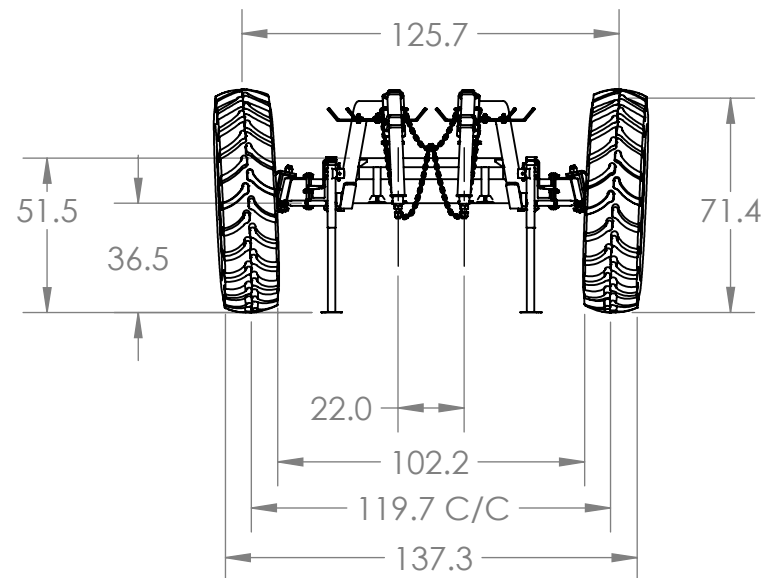
C06B-A
A000005
420/85 R34"



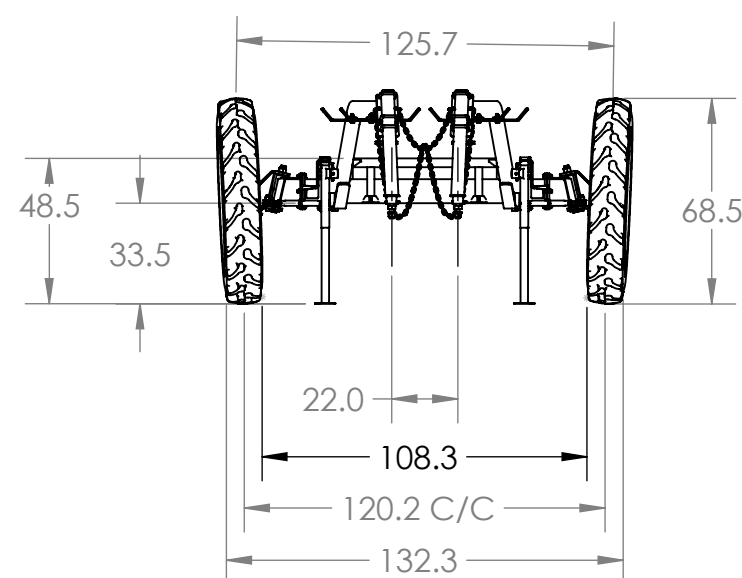
C06B-F
A000006
380/85 R34"



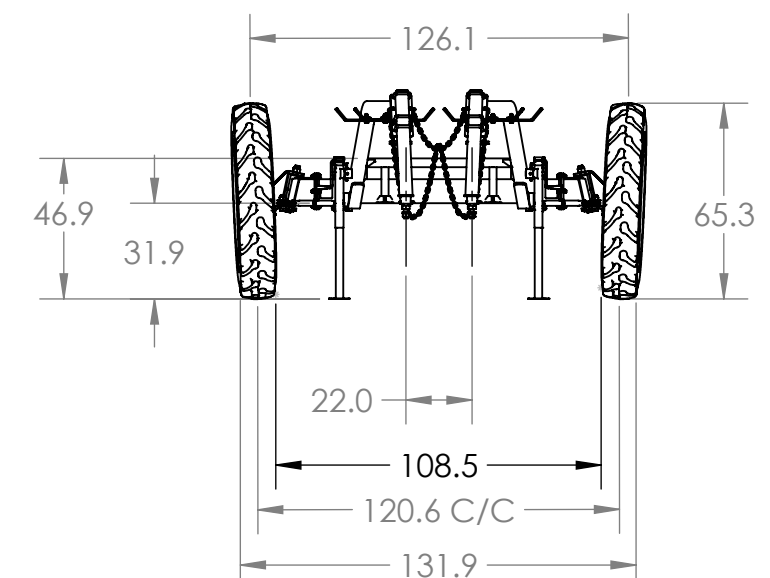
C06B-G
A000063
480/80 R42"



C06B-H
A000175
320/90 R42"



C06B-D
A000193
320/90 R42"



NOTE: ALL TIRE DIMENSIONS ARE APPROXIMATE



MONTAG MFG
3816 461st AVE,
Emmetsburg, IA 50536

P: 712-852-4572
F: 712-852-4574
www.montagmfg.com

DO NOT SCALE DRAWING
UNLESS OTHERWISE SPECIFIED:
DIMENSIONS ARE IN INCHES
TOLERANCES ARE AS FOLLOWS:
FRACTIONAL ± 1/32
ANGULAR: ± 1
TWO PLACE DECIMAL ±.03
THREE PLACE DECIMAL ±.003

CONFIDENTIAL: This drawing and design is proprietary and confidential to Montag Manufacturing, Inc.		
NAME	DATE	
DRAWN	SEC	11/3/2014
APPROVED	IJM	01/06/17

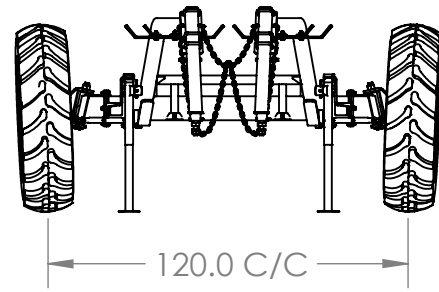
TITLE:
Auto-Steer Cart - 6Ton Adjustable Axle

MATERIAL: N/A
FINISH: N/A

COMMENTS:

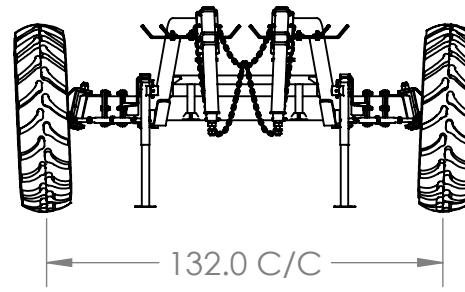
SIZE	PART. NO.	REV
B	C06B	E
SCALE: 1:64		WEIGHT:

0" OFFSET



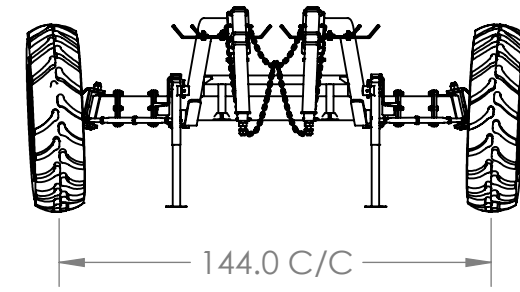
AXLE EXTENSION: NONE
TIE-ROD: P000350

12" OFFSET



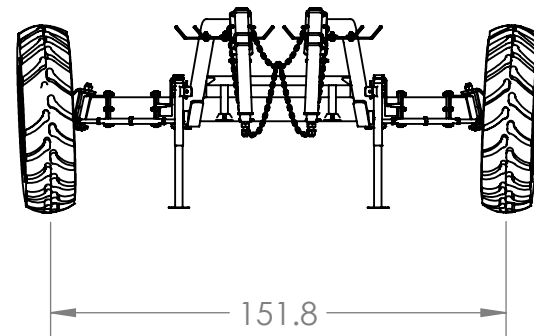
AXLE EXTENSION: A000039
TIE-ROD: P000350

24" OFFSET



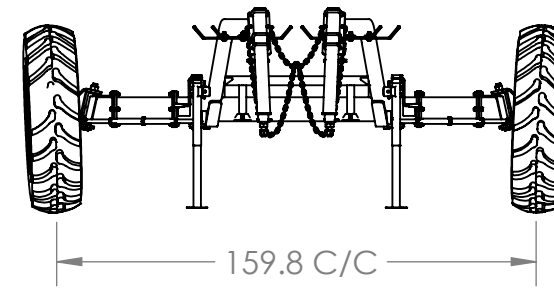
AXLE EXTENSION: A000040
TIE-ROD: P000351

32" OFFSET



AXLE EXTENSION: A000041
TIE-ROD: P000351

40" OFFSET



AXLE EXTENSION: A000042
TIE-ROD: P000351

CARTS DISPLAYED ARE C06B-A (A000005 - 420/85 R34") TIRE OPTION



MONTAG MFG
3816 461st AVE,
Emmetsburg, IA 50536

P: 712-852-4572
F: 712-852-4574
www.montagmfg.com

DO NOT SCALE DRAWING
UNLESS OTHERWISE SPECIFIED:
DIMENSIONS ARE IN INCHES
TOLERANCES ARE AS FOLLOWS:
FRACTIONAL ± 1/32
ANGULAR: ± 1
TWO PLACE DECIMAL ±.03
THREE PLACE DECIMAL ±.003

CONFIDENTIAL: This drawing and design is proprietary and confidential to Montag Manufacturing, Inc.		
NAME	DATE	
DRAWN	SEC	11/3/2014
APPROVED	IJM	01/06/17

TITLE: Auto-Steer Cart - 6Ton Adjustable Axle		
SIZE B	PART. NO. C06B	REV E
SCALE: 1:64		WEIGHT:

MATERIAL: N/A
FINISH: N/A
COMMENTS: