

FENDT

Fendt 900 Vario MT





The soil is precious. Protect it with Fendt.

The soil forms the basis of healthy crops and high yields. Managing it efficiently and with care ensures long-term economic success. In addition to efficiency and comfort, soil protection is our top priority when developing tractors. If you want the advantage of grip and soil, go for Fendt.



The perfect relationship. Fendt 900 Vario MT

Fendt 900 Vario MT combines the best of two worlds. The experience gained from installing more than 250,000 Vario gearboxes, and more than 30 years of working with tracked tractors, as well as the Fendt operator environment and Fendt Smart Farming functions make this a modern and innovative tracked tractor.



Intelligence and performance combined. Unrivalled traction power meets Farming 4.0.

Machine power alone is no longer sufficient for efficient cultivation of large areas. Enormous potential lies in planning and documentation of work, and automatic control of partial widths and seed rates. Fendt Smart Farming offers you the functions and interfaces you need.

Engine	938 MT	940 MT	943 MT	
Rated power ECE R 120	kW/hp	279/380	298/405	317/431

Everything you'd expect from a Fendt.

As opposed to the other tracked tractors, Fendt 900 Vario MT is not based on a standard tractor. It has been developed as a pure tracked tractor and feels like it, too. Fendt 900 Vario MT is ideal for any challenge.

- AGCO Power 9.8 l seven-cylinder engine with up to 431 hp.
- Fendt iD low engine speed concept
- Fendt Concentric Air System
- Fendt VarioDrive drive concept
- Tracks with SmartRide chassis and ConstantGrip roller suspension
- Fendt cab suspension
- Fendt Smart Farming functions
- Up to 440 l/min hydraulic power
- Standard cat. III/IV linkage with 11,500 daN lifting power
- 2-speed PTO shaft 1000 & 1000E



Experience and innovation for your success.
The only way to really experience all the advantages of a tracked tractor is to choose the Fendt 900 Vario MT. It combines experience and innovation, which will help you and your business to move forward.

Fendt 900 Vario MT:
Experience and innovation for your success.

FENDT 900 VARIO MT TRACKS

You have the perfect setup thanks to our experience.

All advantages in one vehicle

The track system on the new Fendt 900 Vario MT is the result of more than 30 years of experience with track tractors. The wheelbase has been extended to 2,565 mm; 13 cm longer than previous versions. The total ground contact area is 3.25 m² on 25" wide tracks, 3.90 m² with 30" and a hefty 4.42 m² on 34" tracks. This means: more traction, less soil pressure and an optimal weight distribution across the entire contact area even in the case of a heavy load. And, of course, optimised driving comfort.

Unique suspension system

The Fendt 900 Vario MT offers unprecedented driving comfort for a tracked tractor, which can be experienced during field work as well as on road. This is mainly due to the innovative SmartRide suspension system. Here the hard-bar is mounted on the frame using coil springs, shock absorbers and silent rubber blocks and has a considerable spring stroke of 217 mm overall. The central carrier can oscillate by 11° for best ground-hugging. A coupling rod (Panhard bar) prevents any movement to the side and stabilises the tracks lengthways.

Full contact for best grip

The three rollers of the undercarriage play a decisive role when it comes to permanent power transmission. In Fendt 900 Vario MT, they are attached to the chassis frame in a unique boogie-in-boogie system. This way they achieve an enormous swing distance and flexibly adapt the track to the ground contour. Hence the weight is always distributed across a maximum contact area and the entire track is always in contact with the ground. Power can therefore also be permanently transmitted.

The widest choice

The tracks establish contact between the tractor and the ground. They are the key to power transfer to the ground. A wide range of tracks is available for Fendt 900 Vario MT. There are two tracks, which are specially design for agricultural use, where one version is enhanced for special applications.

The middle rollers are spring-mounted and adapted to the ground contour in order that ground contact is not lost and power can be permanently transmitted.



The front idlers can be ballasted with up to 1,580 kg.



Smoothly driving the rollers, the rear drive wheels transfer the power perfectly.



The durable rear axle is built for the longest service life. The internal oil balance can be easily checked through the inspection gauges.

FENDT 900 VARIO MT TRACKS

Constant traction for continuous propulsion.

Constantly under tension

The tracks run smoothly, without any friction. Perfect traction between the drive sprocket and the treadbar ensures that Fendt 900 Vario MT converts its power into permanent propulsion. A hydraulic cylinder mounted on the chassis frame pushes the idlers forward and thus creates tension so that traction is never lost. Since the tensioning system works in one direction, the bearings are reliably protected thanks to the symmetrically acting forces. The hydraulic accumulator automatically sets the right pressure. This is clearly displayed on the 10.4" Varioterminal.

Always running in line: Idler wheel

The front idler wheel keeps the Fendt 900 Vario MT running in line. It measures 950 mm in diameter. The idler wheel is also offered in two different widths for different track widths. The correct width supports self-centring of the tracks. The rubber coating of the idlers provides reliable contact with the belt.

Unique design: Rollers made from polyurethane

Another unique feature that will let you experience the leading edge of the tracks is the oscillating rollers. The three rollers are 380 mm in diameter and are attached to the chassis via a unique boogie-in-boogie suspension system called ConstantGrip. The special polyurethane coating of the snap-in ring inside the rollers reliably prevents heat generation even during continuous operation at high speeds. It also protects guide blocks inside the rolling tracks.

Ensures your progress: Drive sprocket

The drive sprocket has once again been improved in the latest evolution stage of the track drive. It measures 1,550 mm in diameter and has a rubber coating with a chevron pattern. The surface offers good self-cleaning properties and thus prevents accumulation of dirt. This results in reliable traction. The optional debris ejector on the inside prevents contamination in the rim after every turn.

The middle rollers, traction wheels and idlers are fitted with different widths for perfect steering depending on the width of the treadbar.



Thanks to the innovative suspension concept SmartRide, the Fendt 900 Vario MT offers unparalleled driving comfort for a tracked tractor.



Even on headlands, the track tractor shows its strength and does not create deep tracks.

FENDT 900 VARIO MT ENGINE

Reliably converts every drop of fuel into efficient power.

Fendt iD low engine speed concept

A powerful and highly efficient 7-cylinder AGCO Power engine sits under the bonnet of the Fendt 900 Vario MT. With its cubic capacity of 9 litres, the engine generates up to 317 kW/431 hp at a rated speed of just 1700 rpm. Two in-line turbochargers with fixed geometry provide constant power generation. The max. torque of 1.921 Nm is already reached at just 1,450 rpm thanks to the Fendt iD low-speed concept. The speed range of the engine is between 1,000 and 1,700 rpm. The engine idle speed is just 800 rpm. Experience unbridled power and extremely efficient work during every use thanks to Fendt iD.

Unique cooling system

Efficient cooling is ensured by the unique Fendt Fan and Concentric Air System (CAS) cooling concept. Here, a forced-draft high-performance fan is positioned in front of the cooler unit, where it sucks in cool dense air, accelerates it via the concentric hood and pushes it through the cooler. The CAS has its own hydrostatic drive, so it can always deliver ideal cooling power to each component according to need, independent of the engine speed. The fan is tilted upwards, which prevents harvesting residue from being sucked up from the ground.

Economical, low-emission, environmentally friendly

The Fendt 900 Vario MT fulfils the strict emission regulations Stage V/Tier 5. With the injection pressure of 2,000 bar, combustion is extremely clean. With a low particulate volume. The electronically controlled and cooled exhaust gas recirculation recirculates a small part of the exhaust gases back to combustion. Part of the exhaust aftertreatment is a new 'all-in-one' exhaust system, which includes a diesel oxidation catalyst and a diesel particulate filter. The pressure drop on the filter measures the amount of particles that pass through the system. This is followed by the SCR catalyst, which is located in the upper part of the exhaust. The exhaust is located on the right side of the vehicle, so the view to the front is not obstructed.

Easy maintenance for long operating times

Do not waste time on extensive maintenance. Take advantage of the long maintenance intervals and perfect accessibility. Fresh air is sucked in at the front. The Venturi system of the air filter prevents many dirt particles from getting sucked in. In addition, a dust extraction system, which is driven by the vacuum of the CAS, ensures that the air filter remains efficient for longer periods. A contamination sensor constantly monitors the status of the filter and reports upcoming maintenance if required. The constant further development of AGCO Power engines along with the low maintenance effort makes Fendt 900 Vario MT a totally reliable workhorse.

The fuel filter is very easy to reach for routine maintenance.



The Concentric Air System offers a large cooling capacity with maximum efficiency along with an unparalleled high efficiency.



A large intercooler with a heat exchanger as an intermediate intercooler ensures perfectly temperature-controlled inlet air.



Two turbo chargers with fixed geometry and electronic wastegate control provide enormous torque across the entire speed range.

FENDT 900 VARIO MT VARIODRIVE

Fendt VarioDrive: Drive of a new generation.

Vario gearboxes of the latest generation

The revolutionary Fendt VarioDrive drivetrain from the standard tractor Fendt 1000 Vario has been extensively and optimally adapted for the Fendt 900 Vario MT. The result was the innovative and efficient continuously-variable drive for tracked tractors, which fulfil all the practical requirements. As a result, you can drive in a continuously-variable power-split way in a speed range from 20 m/h to 40 km/h and without having to manually change between the speed ranges. You can therefore always work within an optimal speed range with minimum slippage when operating the Fendt 900 Vario MT. What you experience is huge power transmission and the best jerk-free ride comfort.

High-performance hydrostatic devices

The heart of VarioDrive drivetrain is formed by the extremely large and powerful hydrostatic devices. They each boast a capacity of 370 cm³. The hydro-motors can swivel independent of each other. This way, the VarioDrive drivetrain achieves maximum efficiency in every situation. To further increase the efficiency, a hydro motor is decoupled at higher speeds (more than approx. 20 km/h) as soon as it swivels back.

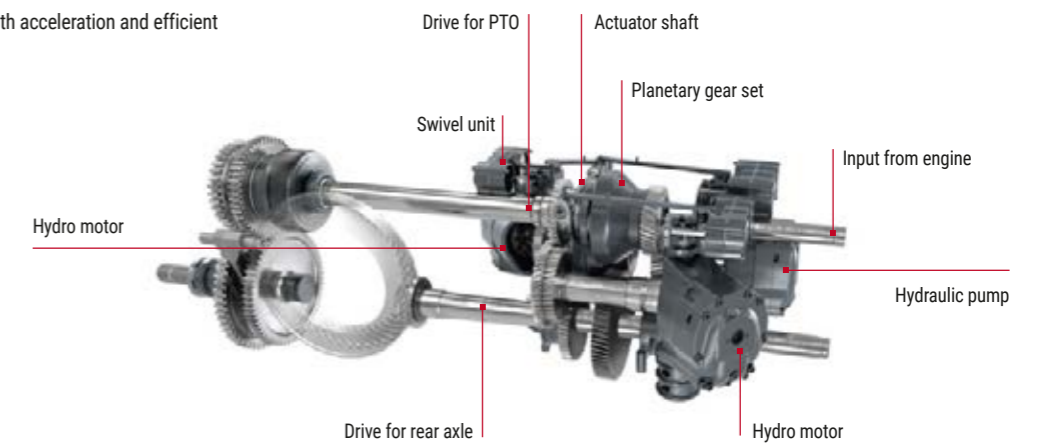
Automatic in optimal range

Thanks to the Fendt VarioDrive drive, you can always drive automatically within the most efficient range. The Fendt 900 Vario MT achieves a transport speed of 40 km/h at a low 1,550 rpm. The renowned Tractor Management System TMS along with the automatic maximum load control ensures that the Fendt 900 Vario MT delivers the most efficient results every time, without you having to make any elaborate settings. Together with Fendt iD low engine speed concept, experience sheer power with lowest possible consumption.

Everything under one roof

It was never easier to control a tracked tractor to perfection. For Fendt 900 Vario MT, the motto is: Sit down and set off. Select your preferred driving strategy in the armrest: Drive the Fendt 900 Vario MT using either the joystick or the accelerator pedal. In the process, the TMS maintains an optimal ratio of the rpm and driving speed. You can also set the rpm with the accelerator pedal and the speed using the joystick. If the TMS is deactivated, you can control the speed and the engine speed absolutely independent of each other.

High-performance hydrostatic devices in the Fendt VarioDrive ensure smooth acceleration and efficient jerk-free propulsion.



Maximum performance in the field and on road: The Fendt Vario 900 MT offers a completely new driving experience thanks to Fendt VarioDrive.

No compromise when it comes to performance and possibility.

Attachments under complete control

Matching the power and performance of Fendt 900 Vario MT, the hydraulic system has also been developed for maximum performance. Select either 220 l/min or 440 l/min pump capacity. The bigger version has two separate circuits with 220 l/min capacity each. Both the versions deliver their maximum performance at 1,700 rpm. The highest extractable oil quantity is 100 litres. And the hydraulic oil supply is separate from the transmission oil. This avoids mixing the oil and causing system problems. The steering system has its own separate system. This means that there is enough oil at your disposal for the attachments.

Interfaces at the rear

Both hydraulic pumps share the work perfectly; one of the pumps is directly coupled to the left valve block and supplies to valves 1-3 and the Power Beyond connection. The second supplies to the right valve block with valves 4-6 and the powerful linkage. All in all, maximum six valves are possible in the rear. Stay flexible with cartridge applications: the 1/2" couplings offer a flow rate of up to 140 l/min. The 3/4" coupling and easy Flat Face Coupler (FFC) allow up to 170 l/min. All the valves at the rear can be coupled under pressure on both sides (DUDK).

Complete lifting unit

You can couple three-point attachments onto the Fendt 900 Vario MT just as comfortably as onto a standard tractor. The rear linkage has a 11,500 daN lift capacity. In addition to power, enjoy the greatest comfort: the rear linkage can be operated at both the rear mudguards. shock load stabilising/damping when driving on road contributes to high ride comfort and road safety. Gearbox pressure sensors are used for controlling the linkage. You can control the attachments perfectly via the comfortable power lift module in the armrest.

Direct power transmission

In order to transmit power of the AGCO Power engine to the PTO-operated attachments efficiently, the PTO is almost directly connected to the crankshaft. Only one gear level lies in between. This facilitates high effectiveness. Two speeds are at your disposal: The 1000 at 1,650 rpm or the 1000E at a favourable 1,255 rpm. The speed is pre-selected simply and without complication at the touch of a button in the cab. The PTO is similarly activated. Alternately, it can also be activated at both the rear mudguards.



The hydraulic connections are marked in colour. This way, you can couple devices quickly and safely.



The hydraulic system is designed for maximum performance and offers the option of up to 440 l/min performance at 1,700 rpm.



Operate the rear linkage, the PTO and a control unit conveniently from the rear mudguards.



The dual-circuit air brakes also act on the trailer when the parking brake is applied.



Select between two PTO speeds: 1000 and 1000E.

FENDT 900 VARIO MT CAB

The workplace you've always wanted.



Three different seats are available to match your individual requirements.

Welcome home

Anyone taking a seat in the cab of the Fendt 900 Vario MT will feel right at home! The operation concept is a feature of all the self-propelled Fendt machines. This helps the drivers to find their way quickly. All settings are implemented easily and quickly and the attachments are safely operated.

New driving comfort

With its 2-point cab suspension, Fendt 900 Vario MT offers spring stroke between the driver and the ground like no other tracked tractor. Robust coil springs with integrated shock absorbers at the rear and two silent spring blocks at the front absorb the vibrations in the field and on the road. The spring stroke at the rear is 98 mm. The damping elements operate precisely and sensitively in order to make your work as pleasant as possible even on long working days.

Creates a feel-good atmosphere

The Fendt cab offers an excellent view in all directions thanks to the low side lines, narrow bars and handily-placed exhaust pipe with DOC, DPF and SCR catalytic converter. With 6.27 m² of window, you have the best seat in the house, converting the 3.06 m³ cab and its equipment into a bright, friendly workplace. Moreover, it is ROPS-certified.

Sophisticated interior

For long working days, the cab offers numerous storage compartments and 12 V USB connector for charging mobile phones and tablets. The operator's seat is available in three versions and can be easily cleaned thanks to the leather cover. Even the instructor seat is made of leather and offers first-rate comfort. If required, it can be folded down and used as a beverage holder. If the sunlight is too bright, sun blinds on all four sides protect the driver from disruptive glare.

Here's everything you need to know: The storage compartment in the armrest offers sufficient space.



The numerous storage options are important on long working days. They also keep the cab tidy.



The leather instructor seat offers high comfort.



You can climb into the spacious cab via a ladder that can be folded up and down automatically.



The high-quality sound system caters for entertainment.



Power connections for external consumers are tidily arranged and can be easily accessed in the roof area.

FENDT 900 VARIO MT: OPERATION

Driving comfort can be so easy.

Standard operating philosophy

A modern and comfortable workplace awaits you in the Fendt 900 Vario MT. The trusty Fendt multi-functional armrest offers you fast and comfortable access to all tractor functions required during your work. Its height and position can be adjusted. The Varioterminal 10.4" permanently displays all the important settings, the steering system or the attachments so that you can continuously keep an eye on all the machine data.

Everything in one place

Using just one multi-functional joystick, you can control all the important tractor functions. In addition to the driving speed and direction, you can also control the acceleration in four stages. With the help of two buttons, directly select two different cruise controls or activate a saved engine speed. Activate the VariotronicTM headland management using the Go and End buttons. This way you have complex attachments under control and get to experience reduced workload on headlands. A particular benefit is how easy it is to program headland sequences at a standstill or even on the move.

Complete rear linkage

The Fendt 900 Vario MT comes with full rear linkage. And it's so easy to control from the armrest. The rear linkage operation module is located directly next to the multi-functional joystick and the crossgate lever for hydraulic valves.

Hydraulic system & buttons

You can operate the powerful hydraulic valves using a toggle switch in the armrest, which is easily accessible and clearly structured. The response behaviour of the toggle switches can be adapted to your requirements. Moreover, a joystick is also available for hydraulic operation directly next to the joystick with which you can operate two valves. The valves can be freely assigned. Easily assign them on the Varioterminal at the touch of a button. Here you can also adjust the flow times and quantities easily and control your attachments to get the best results.

Adjust the position of the steering wheel with the foot pedal.



Activate the headlights and working lights on the left side of the instrument panel.



Control the extremely powerful air-conditioning system directly from the dashboard.



The exclusive spoke steering wheel provides controls for the audio system.



Use the multi-functional joystick (fitted as standard) to control the speed, cruise controls, engine speed memory and headland management.



Adjust the gearbox, hydraulic and PTO settings using the membrane keys in the armrest.



The optional Profi joystick also features buttons to control two hydraulics valves.

FENDT 900 VARIO MT – SMART FARMING

Smart solutions meet huge tractive power.



Always on track – Fendt VarioGuide with Contour Assistant

With VarioGuide – the central track guidance system for Fendt machines – you always work with the utmost precision. Choose from two receiver options (NovAtel® or Trimble®) and a variety of correction data signals. The Fendt VarioGuide Contour Assistant helps you work even more efficiently and easily with the new VarioGuide wayline types, Contour Segments and Single Track. With Contour Segments, you can use different waylines at the same time. The tractor automatically switches to the right wayline based on its current direction and position. The guidance system is a big help on the headland.

Variotronic™ automatic headland management

You can make all the key settings for the lane guidance and other systems on the Varioterminal 10.4". You can also control the innovative and extensive headland management Variotronic™ auto. Sequences can be programmed both from the stationary vehicle (offline editing) and while driving. Stored sequences can additionally be optimised from the stationary vehicle at any time. The system automatically detects the headland line from a GPS signal and executes the stored sequence fully automatically.

Needs-based management with SectionControl and VariableRateControl

Easily control both the fully automated SectionControl and the section-specific application of products with VariableRateControl on the Varioterminal.

Fendt Connect telemetry system

Our basic telemetry package is the best way to analyse and manage your fleet. Fendt Connect can read, store and analyse machine data as part of the package. This makes it easier to plan usage times and machine capacity, which ultimately helps you increase the cost-effectiveness of your vehicles. Call up extensive machine data on your PC or Smart Device:- Position and route of the machine (map view)- Fuel consumption- Speed- Working hours- Machine capacity- Error messages- Upcoming service intervals And more.

Realtime display with Smart Connect

The optional Smart Connect app visualises machine parameters in real time without storing any data. You can also intuitively set the maximum load control based on the retrieved data in the Smart Connect App. As a trusted brand of agricultural solutions, data security is extremely important for Fendt. Using digital Fendt devices is subject to strict European IT security standards.

With Fendt VarioGuide, work with the accuracy you want year after year.



Perfect headland: Thanks to Fendt Variotronic™, even complex manoeuvres are in your control.



ISOBUS attachment and Fendt VarioGuide automated steering are displayed in an overview on the Varioterminal.



FENDT 900 VARIO MT

Equipment in detail



■ The roller shades on all sides protect the operator from glare and neatly disappear into the roof liner.



■ There is a storage option even behind the operator's seat.



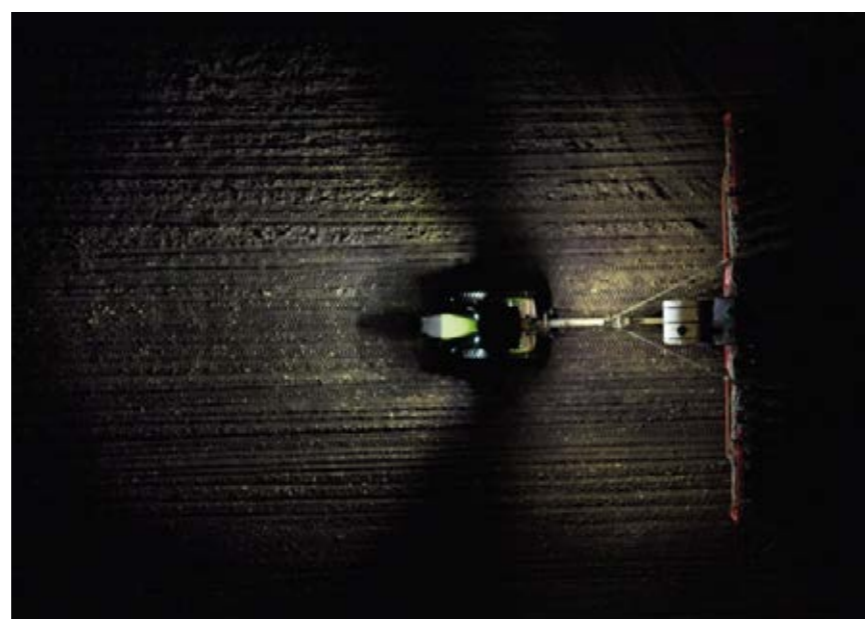
■ The instructor seat with seat belt serves as a bottle holder when folded down.



■ There is a storage compartment under the driver seat. That ensures there is order in the cab.



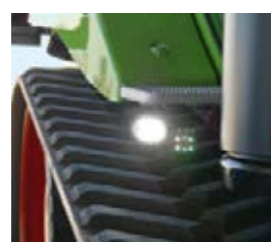
■ There are storage options even in the entrance area.



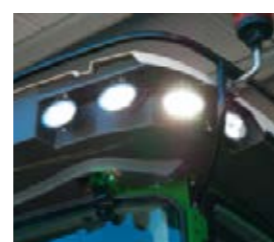
■ The extensive lighting package turns night into day.



□ Thanks to the wide-angle mirrors, you can continuously keep an eye on the attachments.



□ The lighting with the LED light package is brilliant even to the front.



□ An LED light bundle is available on request.



□ The track width adjustment system makes the Fendt 900 Vario MT perfectly usable for row crops.



■ The 12 V connection at the rear of the machine supplies power to the external consumers.



□ The pressure for pre-tensioning the rolling track can be comfortably adjusted from the side by means of a connection.



■ With VarioGuide you have a full choice of receivers and signal options.



■ Full ISOBUS functionality brings you new options.



FENDT SERVICES

The best product with the best care and service.

With Fendt, you get a cutting edge product that will overcome the toughest of challenges. That's why you can expect that little bit extra when it comes to services from highly-efficient, certified Fendt dealers:

- Fast lines of communication between you and our trained service team.
- 24/7 availability of replacement parts throughout the season
- 12-month warranty on Fendt original parts and their fitting

100% quality. 100% service: Fendt Services
We offer outstanding services to offer you the best possible reliability of use and efficiency from your Fendt Machine:

- Fendt Demo service
- Fendt Expert operator training
- AGCO Finance – finance and lease deals
- Fendt Care – servicing and guarantee extensions



+44 330 123 9909

Your Fendt dealers are always there when you need them, and have just one aim – to make sure your Fendt machines are ready for action at any time. If something does go wrong during harvest time, simply call your certified service centre 24/7 on the emergency hotline.

FENDT SERVICES

Rest assured that your machine will be ready for action tomorrow.

Fendt Demo service

Is this a new purchase? You'll love our Fendt solutions and overall efficiency. Let the Fendt Demo service make the decision easier.

Fendt Expert operator training

We help you get the most out of your vehicle. With the help of our exclusive Fendt Expert operator training programme, you can optimise the efficiency of your Fendt even further, and get to know all the functions to make your daily routine that much easier. Our team of professional trainers will advise you on how to use your Fendt machine to its full potential.

Individual finance and lease models

Investing in technology means a considerable capital outlay. A credit finance agreement from AGCO Finance offers attractive conditions and flexible terms. From the initial down payment to monthly instalments to the payment term – you set the general terms on which to finance your Fendt. If you need additional resources in a hurry or want to use tractors over a long-term period without purchasing them, your Fendt dealer can offer the ideal solution with tailored lease packages.

Fendt Care – servicing and guarantee extensions

To keep your machine ready for action at any time, we offer a tailored maintenance and repair service beyond the statutory warranty. This only covers the repair risk of a new machine for the first 12 months after delivery. That's where Fendt Care comes in. With flexible durations and flexible rates with and without excess, the machine can be guaranteed even after the first year. Your Fendt dealer will only install Fendt original parts. These have a proven standard of quality and are safety-tested. This ensures the best value retention for your Fendt machine.

Using the smartphone app "AGCO Parts Books to go", you can find Fendt spare parts quickly and easily and order them directly. The app is available for download in the app store and in the Google Play Store. Your personal access data is available from your Fendt dealer.



Full control over costs and planning reliability

Fendt Care	Bronze	Silver		
Service	Regular maintenance, fixed maintenance costs	Cover against the risk of repair (excludes wear)		
Benefits	Reliability of use	Coverage against major damage	Full coverage under great conditions	Full protection while you keep costs under control
Regular maintenance	✓	✓	✓	✓
Repair costs		✓	✓	✓
Excess		€490	€190	€0



8 years / 10,000 operating hours

With our new Fendt Care rates, Fendt offers extensive coverage for the reliability and repair risk of new machines. Fendt Care gives you complete cost control with exceptional service. From a service agreement to the full carefree package including replacement machine, Fendt has a flexible and tailored solution for your fleet.

Quick and simple servicing.



The engine compartment is very accessible, with removable side panels.



The air filter is easy to replace and has a dirt sensor, which provides information on the filter effect.



There is a compressed air connection at the machine front to blow out the air from the radiator.

Fendt extras.



Fendt extras are a great addition to your Fendt machine. Choose from an extensive range of products including lubricants, AdBlue, care kits, cab accessories and much more. All extras are available for purchase exclusively from your Fendt dealer.



What can we do for you?

What makes Fendt Services different?

For us, service means knowing and understanding your work in order to meet your demands for reliability and safety and to act in your economic interest. We stand behind our products and have developed them for the highest demands and long-term operation. Our service is the partnership aspect for your work.

How do I get a software update?

Fendt software is update-compatible, so your Fendt always features the latest technology. This ensures that your Fendt machine is technologically advanced, that it maintains its value, and keeps your investment as up to date in the future as it was on the first day you bought it. Contact your Fendt dealer for details.

What is Fendt Expert?

Become an expert on the Vario Profi with Fendt Expert driver training: Are you already familiar with all the functions that the technology has to offer? Take advantage of the technology in every Fendt Vario and learn how to make best use of every feature, with Fendt Expert. Our team of professional trainers will advise you on how to use the full potential of your Fendt tractor. Contact your dealer for details and register today.

fendt.com

Find everything online – from brochures to technical specifications, from reports about customers or our company to our Fendt event calendar.

Fendt Configurator

With the Fendt Vehicle Configurator, you can choose from all the available equipment variations and put together the optimally equipped vehicle for your farm. The Fendt Configurator is available online at www.fendt.com, where you will find a quick link to it directly on the start page.

fendt.tv

Fendt around the clock – our Fendt Media Library makes it possible. Our Internet TV provides you with news and information about Fendt 24/7.

Test drives

Go to fendt.com and select "Fendt Services" on the "Service" page, select the "Demo Service", then register for a test drive with the tractor of your choice.



FENDT 900 VARIO MT

Equipment variants.

Engine	
Reversible fan	<input type="checkbox"/>
Engine pre-heating	<input type="checkbox"/>
Preheater unit (engine, transmission oil)	<input type="checkbox"/>
Transmission	
Vario TMS - Tractor Management System	■
Shuttle function, stop-and-go function	■
Cruise control	■
Guidance system	
Guidance system basic package	■
Standard Trimble / NovAtel	<input type="checkbox"/>
Contour Assistant	<input type="checkbox"/>
Agronomy	
Agronomy basic package	<input type="checkbox"/>
Telemetry	
Telemetry basic package	■
Smart Connect	<input type="checkbox"/>
Machine control	
Machine control basic package (ISOBUS)	■
Section Control (SC)	<input type="checkbox"/>
Variable Rate Control (VRC)	<input type="checkbox"/>
Vario operation	
Speed control lever with cruise control and engine speed memory, automatic modes	■
Multi-function joystick with cruise control, engine speed memory, automatic modes, controls for hydraulics	<input type="checkbox"/>
Varioterminal 10.4" with touchscreen and key control	■
Cab	
Mechanical cab suspension	<input type="checkbox"/>
Comfort seat, air sprung	■
Super Comfort Seat, air sprung	<input type="checkbox"/>
Instructor seat	■
Height and tilt-adjustable steering column	■
Heating with stepless fans	■
Air-conditioning	■
Integrated automatic climate control	<input type="checkbox"/>
Roller shade rear	<input type="checkbox"/>
Roller shade right	<input type="checkbox"/>
Parallel wipers front	■
Rear window wash/wipe	■
Ext. rearview mirror, electrically adjustable, heated	■
Radio CD MP3 hands-free speaking system	<input type="checkbox"/>
Radar sensor	■

Lighting	
Halogen headlights	■
Rear working lights	■
Work lights A-pillar	■
A-pillar LED work lights	<input type="checkbox"/>
Roof rear LED work lights	<input type="checkbox"/>
Roof front LED work lights	<input type="checkbox"/>
3. Brake lights	■
LED rotating beacons	■
Chassis	
ContantGrip suspension	■
SmartRide suspension system	■
Infinite track adjustment	■
Conveyor with standard design	■
Conveyor with reinforcement	<input type="checkbox"/>
Compressed air system 2-circuit system	
Power lift	
Tractive power and stepless mixed control	■
Externally controlled rear power lift	■
PTO	
Rear: Flanged PTO 1000/1000E rpm	■
External controls for rear PTO	■
Hydraulics	
EHS valve actuation linear module	■
Load sensing system with axial piston pump (220 l/min)	■
Load sensing system with 2 axial piston pumps (220+220 l/min)	<input type="checkbox"/>
Up to 6 electr. proportional valves	<input type="checkbox"/>
Hydraulic power beyond connection	<input type="checkbox"/>
Unpressurised rear return flow	<input type="checkbox"/>
FFC flat-gasket rear hydraulic couplings	<input type="checkbox"/>
Double connect-under-pressure lever couplings rear	■
Additional equipment	
Automatic trailer hitch without remote control, rear	■
Drawbar category 4	■
Drawbar category 4 with category 3 adapter	<input type="checkbox"/>
Front weights, various sizes	<input type="checkbox"/>
Wide vehicle marker	<input type="checkbox"/>

FENDT 900 VARIO MT

Technical specifications.



		938 MT	940 MT	943 MT
Engine				
Rated power ECE R 120	kW/hp	279/380	298/405	317/431
Maximum power ECE R 120	kW/hp	279/380	298/405	317/431
No. of cylinders	Number	7	7	7
Cylinder bore/stroke	mm	111/145	111/145	111/145
Cubic capacity	cm³	9800	9800	9800
Rated speed	rpm	1700	1700	1700
Max. torque at 1450 rpm	Nm	1698	1806	1921
Fuel level	litres	681.0	681.0	681.0
AdBlue tank	litres	71.0	71.0	71.0
Constant power range	rpm	1600-1700	1600-1700	1600-1700
Transmission and PTO				
Transmission type		TA 300T	TA 300T	TA 300T
Top speed	km/h	40	40	40
Rear PTO		1000/1000E	1000/1000E	1000/1000E
Engine rpm at rated speed of rear PTO (1000 PTO)	rpm	1650	1650	1650
Engine rpm at rated speed of rear PTO (1000E PTO)	rpm	1255	1255	1255
Power lift and hydraulics				
Variable flow pump	l/min	220	220	220
Variable flow pump option 1	l/min	440	440	440
Working pressure / control pressure	bar	200	200	200
Max. valves (front/centre/rear)	Number	0/0/6	0/0/6	0/0/6
Max. hydraulic oil filling	approx. litres	125	125	125
Max. available hydraulic oil volume	litres	100	100	100
Flow rate of control valves (all valves)	litres	140	140	140
Max. lift capacity of rear power lift	daN	11500	11500	11500
Electrical features				
Max. transferable current ISOBUS socket	A	60	60	60
Caterpillar tracks				
Central carrier suspension		SmartRide	SmartRide	SmartRide
Swing angle of the primary suspension	degrees	11	11	11
Suspension travel of the front guiding wheel	mm	260	260	260
Chassis suspension		ConstantGrip	ConstantGrip	ConstantGrip
Total width of driving wheel	mm	225	225	225
Total width of track roller	mm	224	224	224
Series caterpillar track		25" Standard AG	25" Standard AG	25" Standard AG
1. Optional caterpillar track		25" Extreme AG	25" Extreme AG	25" Extreme AG
2. Optional caterpillar track		25" Extreme APP	25" Extreme APP	25" Extreme APP
3. Optional caterpillar track		30" Extreme AG	30" Extreme AG	30" Extreme AG
Dimensions				
Track width (for series caterpillar track)	mm	2032	2032	2032
Minimum track width (for series caterpillar track)	mm	2032	2032	2032
Maximum track width (for series caterpillar track)	mm	2235	2235	2235
Total width for series caterpillar track	mm	2667	2667	2667
Overall length	mm	5993	5993	5993
Overall height - comfort cab	mm	3515	3515	3515
Max. ground clearance	mm	368	368	368
Wheel base (driving wheel to the front guiding wheel)	mm	2565	2565	2565
Weights				
Unladen weight (base tractor with cab - full tanks, without driver)	kg	15169.0	15169.0	15169.0
Max. permissible overall weight	kg	20900.0	20900.0	20900.0
Max. trailer hitch load	kg	3628.0	3628.0	3628.0

FENDT

It's Fendt. Because we understand Agriculture.



www.fendt.com

AGCO GmbH – Fendt Marketing
87616 Marktberdorf, Germany

 **AGCO**
Your Agriculture Company

Fendt is a worldwide brand of AGCO.
All details regarding scope of delivery, appearance, performance, dimensions and weights, fuel consumption and running costs of vehicles reflect the latest information available at the time of print. These may change by the time of purchase. Your Fendt dealer will be happy to inform you about any changes. The vehicles shown do not feature country-specific equipment.