

PRODUCT GUIDE



With Over 50 Models for Compact
and Sub-compact Tractors



WOODS
GET AFTER IT

TOP 5 IMPLEMENTS EVERY FARM NEEDS

When choosing implements, you simply need to know:

- your tractor's engine and PTO horsepower
- your tractor's wheel width

Now, match it to the horsepower requirements and widths listed in our specification charts to ensure you have enough power to operate the implement and that it's wide enough to cover your wheel tracks.



Rotary Cutter

Rotary Cutters are a must for large areas of brush and overgrown grass. Not well-suited to finish mowing, however, because they do not adjust to changes in topography. If cutting too low it could scrape soil.

Rear-mount Finish Mower

A Rear-mount Finish Mower will keep your grassy areas well manicured. Look for one with a durable design that provides even distribution of the cut material. Make sure it's quick-hitch ready for easy attachment to your tractor.



Box Scraper

Tackle tough grading and spreading jobs with a Box Scraper. It can move large amounts of material and has replaceable scarifiers and cutting edges to carve into sod and dirt with ease. Be sure your scraper is as wide or wider than the tractor tires. Get connected faster with quick-hitch compatibility.



Rotary Tiller

Whether you need to control weeds in your garden, get a field ready for planting, or prepare ground for a food plot, a rotary tiller makes fast work of dirt work. Matching the tiller to your tractor horsepower is key: As a general rule, every foot of width on a tiller requires at least eight horsepower from your tractor.



Post Hole Digger

Post hole diggers make jobs like fencing, planting trees, or building a deck much easier. The auger is often sold separately, offering a choice of sizes for various projects. They work well in most conditions. However, for extremely hard soil choose a heavy-duty model.



Implements for Compact and Sub-compact Tractors

We offer over 50 models for your Compact and Sub-compact Tractors. Look for this icon throughout this product guide and our website to find the right implement for your next project.

Batwing® Cutters	 5
12-foot Batwing® Cutter	8
10 and 15-foot Batwing Cutters	9
BW15 Series Batwing Overhaul Kit	12
13 and 20-foot Batwing Cutters	14
Rigid Rotary Cutters	 17
BrushBull™ Single-spindle Premium Cutters	18
RC-Series Single-spindle Standard Cutters	24
Dual-spindle Cutters	25
Finish Mowers	 31
TurfKeeper™ Rear-mount Mowers	32
TurfKeeper Pro™ Rear-mount Mowers	34
RD990X Rear-mount Mower	36
Turf Batwing™ Mowers	37
Seeders	 41
Compact Super Seeders	42
Food Plot Seeders	46
Precision Super Seeders	47
Groundbreaker® Backhoes	 51
6.5-foot Groundbreaker® Backhoe	54
7.5-foot Groundbreaker Backhoe	55
8.5-foot Groundbreaker Backhoe	56
10-foot Groundbreaker Backhoe	57
Tillage Equipment	 59
Rotary Tillers	60
Disc Harrows	63
Dirt Working	 65
Quick Hitch	65
Woods® Box Scrapers	66
Grading Scrapers	68
Rear Blades	70
Landscape Rakes	72
Post Hole Diggers	73
Stump Grinder	74
Flail Shredders	 77
Woods® Skid Steer Attachments	 78
Bale Spears	80
Pallet Forks	81
Join the Woods Power Team	 82

GET AFTER IT... ONLINE

There are many features on our website that make it easy for you to find and compare products, get a quote, or connect with your Woods dealer.

www.woodsequipment.com



Use the Match My Tractor tool to find the 40HP and under Woods products that are compatible with your tractor.



Which model is best for your needs? Use our Product Compare to view product features and specifications side-by-side.



Woods dealers are the best source for choosing the right equipment. Use our Dealer Locator to easily find the one closest to you.



Found the right product? Great. Easily add it to a Quote Request and send it directly to your Woods dealer for the best pricing or incentives.



BW15.51
Shown with standard
chain shielding

BATWING[®] CUTTERS



BW15.71
Shown with standard
chain shielding

IF IT'S NOT WOODS[®], IT'S NOT A BATWING.

The customer-designed 15-foot series Batwing[®] from Woods. It's more reliable, more durable, easier-to-use, easier-to-maintain and built to perform better. It's the flexwing cutter you always wanted, you just needed a company to build it.



15-FOOT BATWING® CUTTERS

PROVEN DURABILITY

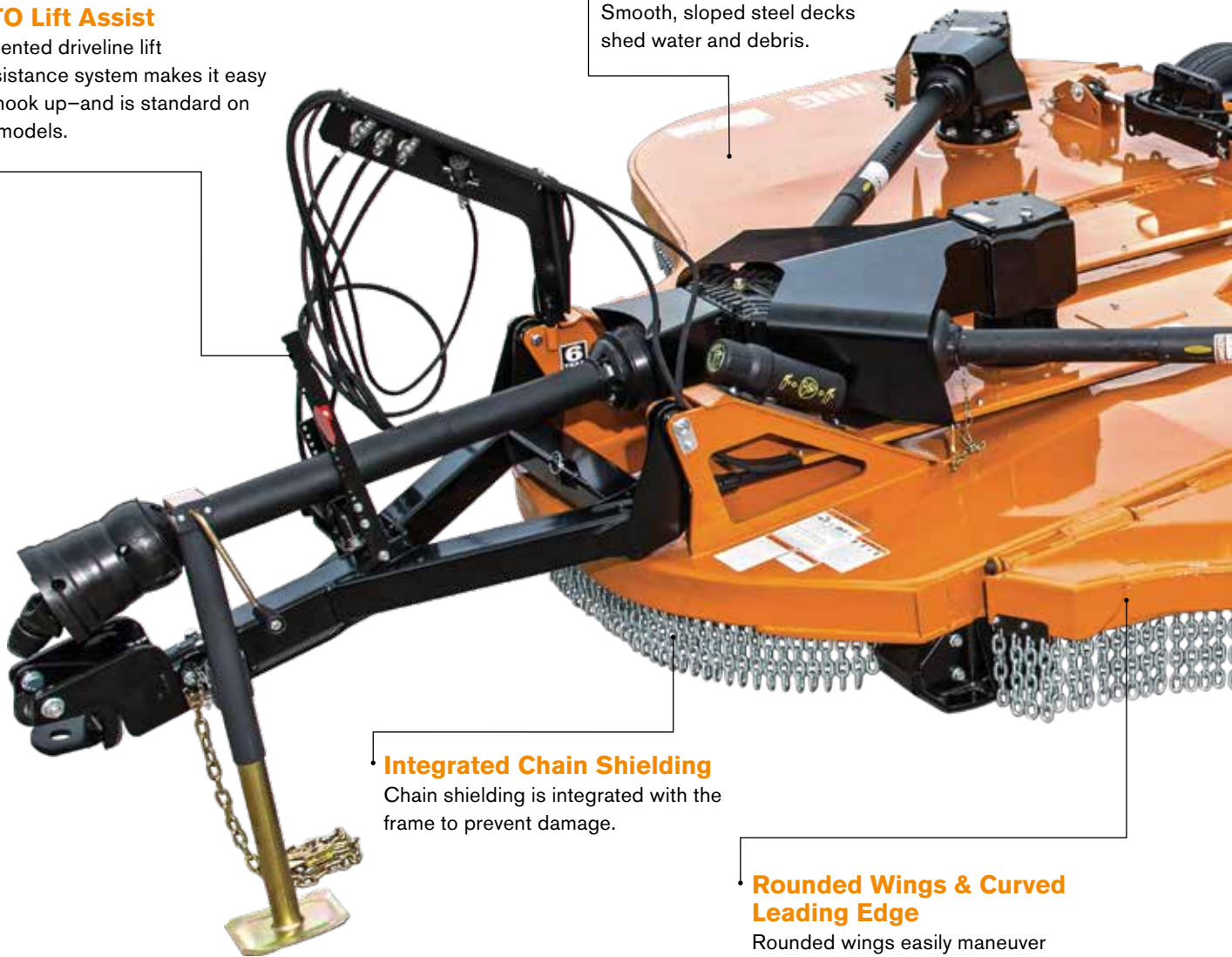
We not only build the toughest Batwing®, we build the only Batwing. But, don't just choose us for our name, choose us for the hours of testing in extreme conditions, the rugged sub-structure, and the industry-leading welding and paint standards. Choose Batwing for the sheer ability to tame the most unruly fields, waterways, pastures and roadsides.

PTO Lift Assist

Patented driveline lift assistance system makes it easy to hook up—and is standard on all models.

Sloped Deck

Smooth, sloped steel decks shed water and debris.



Integrated Chain Shielding

Chain shielding is integrated with the frame to prevent damage.

Rounded Wings & Curved Leading Edge

Rounded wings easily maneuver around obstacles and slice through tall brush while the curved leading edge shrugs off impact.

UNBEATABLE PERFORMANCE

The Batwing is designed with a high torque capacity, a deep deck with welded baffles, and our easy tractor hook-up so you will get to work quickly and mow more material in less time. Woods Batwing cutters set the standard for cut quality, distribution and ease of use, whether you're cutting brush or shredding stalks.

DURABLE CONSTRUCTION

Woods was the first to introduce a smooth, sloped deck that sheds debris. Raising components off the deck makes clean-up easy and covering hoses protects from wear and damage. Bolt-on, heavy-duty skid shoes with an 'approachable' leading edge reduce sod damage when turning and protect the deck from damage.



Easy Maintenance

Patented greasable
Quick-change blade
pins are easy to remove.



Extremely Strong Structure

A steel tube around the perimeter
absorbs shock and creates a stronger,
longer-lasting machine.

Heavy-duty Gearboxes

Massive, heavy-duty gearboxes deliver
more cutting power and performance.



Our advanced gearbox seal
technology, designed for hard
conditions, reduces leaks and
downtime and is backed by our
six-year gearbox warranty, which
includes the seals.

**BW12**

Shown with standard chain shielding

TRACTOR PTO HP RANGE: MINIMUM 35 HP

BW12 | 12-foot Flexwing Cutter for compact/utility tractors

Requiring a minimum of 35 hp, the BW12 gives you Woods quality and performance in a sleek, round-front design and our industry-leading sloped deck.

- Total weight 2,450 lbs with 750 lb tongue weight, ideal for use on lower horsepower compact and utility tractors.
- Twelve gauge, high-strength steel and smooth, sloped deck provide durability for long life.
- Easy hook-up reduces preparation time and frustration.
- Fully baffled deck, ensures better distribution of cut material, and the performance you expect.
- Six-year gearbox warranty including seals, for confidence in your purchase decision.
- Standard chain shielding, for added safety and peace of mind.



MODEL	BW12
Tractor PTO (HP)	35 min
Tractor Hitch	Swivel clevis
Cutting Width (ft)	12
Adjustable Cutting Height (in)	2 - 12
Cutting Capacity (in)	1.5
Gearbox Rating (HP)	160 - splitter / 75 - center and wing
Blade Tip Speed (fpm)	14,300 center / 14,900 wing
Deck Thickness (ga)	12, high-strength steel
Side Frame Thickness (ga)	7
Deck Side Depth (in)	11
Weight (tongue/total) (lbs)	750 / 2450
Blade Dimensions (in)	.5 x 4
Blade Overlap (in)	6
Hydraulics Wing Flex (degrees)	90 up, 22 down
Tires	Laminated; new Ag; foam filled
Suspension	Spring on center section
PTP Driveline (main/wing)	CAT 4 / CAT 3
Cutting Area Shielding	Standard chain shielding
Warranty (cutter/gearbox)	6-year / 6-year limited



*** NOTE:** All Batwing® models pass all applicable safety standards for thrown object without chain shielding. However, if these units will be used in areas where the possibility of thrown objects could be hazardous to persons or property, it is strongly recommended that standard chain shielding be used for extra protection.

15-FOOT BATWING® CUTTERS

RC

TRACTOR PTO HP RANGE: 45 - 200 HP

BW10.51 | 10.5-foot Single-wing Flexwing cutter

BW15.51 | 15-foot Flexwing cutter

The BW15.51 is ideal for cutting tall grasses and saplings up to 3 inches in diameter.

Here are just a few features exclusive to Woods that rotary cutter users like you told us were important in our 15-foot series.

- Patented driveline lift assistance system makes it easy to hook up. Standard on all models.
- Rounded wings easily maneuver around obstacles and slice through tall brush while the curved leading edge shrugs off impact.
- Our gearbox seal technology reduces leaks and downtime and is backed by our six-year gearbox warranty, which includes the seals.
- A steel tube around the perimeter absorbs shock and creates a stronger, longer-lasting machine.
- Chain shielding is integrated with the frame to prevent damage.
- Patented greasable Quick-change blade pins are easy to remove.
- Patented regressive spring design reduces shock transfer and wear to cutter body.



BW15.51
Shown with standard chain shielding

NOTE: 15' Batwing series no longer offered with hinged metal wing gearbox shields.

Designed with input from users like you, the **BW15.51, BW15.61, BW15.71**, and their one-winged models, set a new industry standard for durability, reliability, performance and ease. We think you'll agree that it's the best Batwing® ever.

MODEL	BW10.51 ¹	BW15.51
Tractor PTO (HP)	45 - 200	
Adjustable Cutting Height (in)	2 - 15	
Cut Capacity (in)	3 dia	
Cutting Width (in)	126	180
Blade Tip Speed (fpm)	15,000 at 540 rpm 16,000 at 1000 rpm	
Weight (lbs)	4,040	4,340
Tongue Weight (lbs)	1,150	1,200
Center Deck / Wing Deck (ga)	10	
Side Skirt Thickness (in)	.25	
Side Skirt Depth (in)	13	
Transport Width (in)	93	96
Stump Jumper	Round	
Hydraulics Wing Flex (degrees)	90 up, 22 down	
Driveline Rating	CAT 6 CV main; CAT 4 wing	
Splitter Gearbox Rating (hp)	210	
Wings Gearbox Rating (hp)	200	
Output Shaft Size (in)	2 dia	
Gearbox Warranty	6-year	
Options	<ul style="list-style-type: none"> ▪ Double row chain shielding ▪ Dual wheels 	

¹Single-wing



BW10.51
Shown with standard chain shielding

15-FOOT BATWING® CUTTERS



TRACTOR PTO HP RANGE: 55 - 275 HP

BW10.61 | 10.5-foot Single-wing Flexwing cutter

BW15.61 | 15-foot Flexwing cutter

The BW15.61 easily powers through tall brush and trees up to 4 inches in diameter.

TRACTOR PTO HP RANGE: 65 - 300 HP

BW10.71 | 10.5-foot Single-wing Flexwing cutter

BW15.71 | 15-foot Flexwing cutter

The rugged BW15.71 can tame the harshest conditions – heavy brush and trees up to 4.5 inches in diameter. Ideal for professional and contract cutting.

Sloped Deck

Smooth and sloped seven-gauge steel decks shed water and debris; deck design and baffling helps recut material, ensuring a finer shred and more even distribution.

Gearboxes

Massive, heavy-duty gearboxes deliver more cutting power and performance with a six-year limited warranty.



NOTE: 15' Batwing series no longer offered with hinged metal wing gearbox shields.

BW15.61

Shown with standard chain shielding

15-FOOT BATWING® CUTTERS

RC

MODEL	BW10.61' / BW15.61	BW10.71' / BW15.71
Tractor PTO (HP)	55-275	65-300
Adjustable Cutting Height (in)	2 - 15	
Cut Capacity (in)	4 dia	4.5 dia
Cutting Width (in)	126 - 180	
Blade Tip Speed (fpm)	15,700 at 540 rpm 16,000 at 1,000 rpm	
Weight (lbs)	4,400 / 4,600	5,500 / 5,290
Tongue Weight (lbs)	1,290	1,490 / 1,530
Center Deck / Wing Deck (ga in)	7	1/4
Side Skirt Thickness (in)	.25	
Side Skirt Depth (in)	13	
Transport Width (in)	93	96
Stump Jumper	Round	
Hydraulics Wing Flex (degrees)	90 up / 22 down	
Driveline Rating	CAT 6 CV main / CAT 4 wing	CAT 6 CV main / CAT 5 wing
Splitter Gearbox Rating (HP)	275	
Wings Gearbox Rating (HP)	225	
Output Shaft Size (in)	3 dia	
Gearbox Warranty	6-year	
Options	<ul style="list-style-type: none"> ▪ Double row chain shielding ▪ Dual wheels ▪ Shredding kit ▪ Deck ring ▪ Spring axle ▪ Full walking tandem 	

¹Single-wing

- Patented driveline lift assistance system makes it easy to hook up.
- Rounded wings easily maneuver around obstacles and slice through tall brush while the curved leading edge shrugs off impact.
- Our gearbox seal technology reduces leaks and downtime and is backed by our six-year gearbox warranty, which includes the seals.
- A steel tube around the perimeter absorbs shock and creates a stronger, longer-lasting machine.
- Chain shielding is integrated with the frame to prevent damage.
- Patented greasable Quick-change blade pins are easy to remove.

Plus,

- Beefy, heavy-duty skid shoes prevent gouging and protect the deck.
- Strategically placed, welded baffles cut and distribute debris evenly.
- Center and wing decks feature high-strength 7 gauge steel (.61 models) or .25 inch thick steel (.71 models) for added durability.
- The side skirt is 13 inches deep and made of .25 inch thick steel for greater material capacity and the strength to manage it.
- For added toughness in extreme conditions, the .61 and .71 models have a 3-inch gearbox output shaft and optional deck ring.
- Other options include double row chain shielding, dual wheels, and for the .61 and .71 models, a shredding kit for added versatility.



Skid Shoes

Bolt-on, heavy-duty skid shoes with an “approachable” leading edge reduce sod damage when turning.

BW15.71

Shown with standard chain shielding

NOTE: 15' Batwing series no longer offered with hinged metal wing gearbox shields.

BW15 SERIES BATWING® OVERHAUL KIT

Everything you need in one box to overhaul your BW15 series Batwing®.

The off-season is the perfect time to go over your mowers and cutters to address any issues that may result in down-time when it's go-time. Most times it calls for a replacement of the major wear components. So in an industry first, now all the major wear components are available in one kit as one part number, and priced 10% lower than if you were to purchase the individual components.



FEATURES

- Ease of Order – One part number for everything you need to complete a basic overhaul on a BW15 series Batwing® rotary cutter.
- Greater Savings – Save 10% on a kit versus purchasing the individual parts.
- Reduced Downtime – Reduce in-season downtime, or eliminate it altogether, by replacing all major wear components in one pass.

CONTENTS

Kit includes everything you would need to replace the major wear components of a BW15.51¹ or BW15.61¹ including:

- 6 - Rotary Cutter Blades;
- 6 - Greasable Blade Pins;
- 6 - Slip Clutch Plates;
- Patented Greasable Blade Components and Hardware.

¹ When ordering the kit for a BW15.71, add 6 additional slip clutch plates to your order.

Order your BW15 Series Batwing® Overhaul Kit today from your local authorized Woods dealer.

Part Number 620934



BW15.61
Shown with standard
chain shielding

20-FOOT BATWING® CUTTERS

TRACTOR PTO HP RANGE: 70 - 200 HP

BW20.51 | 20-foot Flexwing Cutter

- Main driveline: CAT 6 CV
- Cuts brush up to 2 inches in diameter
- Walking tandem axle available

TRACTOR PTO HP RANGE: 70 - 300 HP

BW20.61 | 20-foot Flexwing Cutter

- Main driveline: CAT 6 CV
- Cuts brush up to 3 inches in diameter
- Side frame depth of 13.25 inches —the deepest in the industry
- Optional shredding kit

MODEL	BW20.51	BW20.61
Tractor PTO HP	70-200	70-300
Main Driveline	CAT 6 CV	
Wing Driveline	CAT 4 telescoping profile	
Tractor Hitch	Clevis/self-leveling clevis; optional pintel ring	
Cutting Width (in)	240	
Adjustable Cutting Height (in)	2-15	
Cutting Capacity Diameter (in)	2	3
Side Frame Depth (in)	13.25	
Tractor PTO (rpm)	540 or 1,000	
Transport Width (in)	123	
Overall Width x Length (in)	250 x 198	
Deck Type	Smooth, sloped	
Deck Thickness (in)	.135	
Side Frame Thickness (in)	.25	
Hinges / Hinge Rod Diameter (in)	1	
Weight (lbs)	6,510	6,600
Number of Gearcases	4	
Vertical Shaft Size (in)	2	2.38
Splitter/Wing (HP)	250/200	275/225
Blade Thickness (in)	.5	
Blade Width (in)	4	
Blade Type	Hi-lift, flat or shredder	
Blade Overlap (in)	6	
Blade Tip Speed (fpm)	15,450 at 540 rpm 16,300 at 1,000 rpm	
Material Flow System	Standard baffles	
Stump Jumper Type	Standard round-welded	
Hydraulics Wing Flex (degrees)	90 up, 22 down	
Suspension	Standard spring suspension or tandem spring arms	
Wheel Type (in)	15 rims; 21 laminated; or 29 used aircraft	
Cutting Area Shielding	Single or double chain	
Gearbox Warranty	6-year limited	

Greasable Pivot Pins

Greasable pivot points are located on turnbuckle and axle arms to increase durability and reduce wear.



Easy Maintenance

Patented greasable Quick-change blade pins are easy to remove.



BW20.51
Shown with standard chain shielding

The BW13.71 and BW20.71 feature a double deck, built extra heavy to handle a host of rugged applications.

* **NOTE:** All Batwing® models pass all applicable safety standards for thrown object without chain shielding. However, if these units will be used in areas where the possibility of thrown objects could be hazardous to persons or property, it is strongly recommended that chain shielding be used for extra protection.

TRACTOR PTO HP RANGE: 70 - 300 HP

BW13.71 | 13.5-foot Single-wing Flexwing Cutter

BW20.71 | 20-foot Flexwing Cutter

- Main driveline: CAT 6 CV
- Deck plate has two layers of .135 inch plate
- Cuts brush up to 4 inches in diameter
- Side frame depth of 12.5 inches
- Optional dual tires available for wings
- Optional shredder kit or optional blade ring
- Six-year gearbox limited warranty



Deep Side Frame

Side frame depth of 13.25 inches — the deepest in the industry.

BW20.61

Shown with standard chain shielding

MODEL	BW13.71 ¹	BW20.71
Tractor PTO (HP)	70-300	
Main Driveline	CAT 6 CV	
Wing Driveline	CAT 5	
Tractor Hitch	Self-leveling swivel clevis; optional pintle ring	
Cutting Width (in)	162	240
Adjustable Cutting Height (in)	2-15	
Cutting Capacity Diameter (in)	4	
Side Frame Depth (in)	12.5	
Tractor PTO rpm	540 or 1,000	
Transport Width (in)	99	99
Overall Width x Length (in)	171 x 198	250 x 198
Deck Type	Smooth, sloped double-deck	
Deck Thickness (in)	.135 / .135 upper / lower	
Side Frame Thickness (in)	.25	
Hinges / Hinge Rod Diameter (in)	1 full length	
Weight (lbs)	8,500	7,740
Number of Gearcases	3	4
Vertical Shaft Size (in)	2.38	
Splitter Wing (HP)	275 / 225	
Blade Thickness (in)	.5	
Blade Width (in)	4	
Blade Type	Hi-lift, flat	Hi-lift, flat or shredder kit
Blade Overlap (in)	6	
Blade Tip Speed (fpm)	15,450 at 540 rpm 16,300 at 1,000 rpm	
Material Flow System	Standard baffles	
Stump Jumper Type	Standard round-welded	
Hydraulics Wing Flex (degrees)	Left or right wing - 90 up, 22 down	90 up, 22 down
Suspension	Standard spring suspension or optional tandem spring arms	
Wheel Type (in)	15 rims; 21 laminated; or 29 used aircraft	
Cutting Area Shielding	Single or double chain	
Gearbox Warranty	6-year limited	

¹Single-wing



BB72.80
Shown with optional
chain shielding

RIGID ROTARY CUTTERS



BB84.40
Shown with standard
chain shielding

ReliaBull. DuraBull. PreferaBull.

Put our products to the test in your own back yard. Rugged, dependable and productive — Woods rotary cutters are designed for the extremes of real world use.



START AT THE BEGINNING

Since 1946, Woods has grown to become the undisputed cutter expert. This legacy began with development of the first tractor-mounted rotary cutter and continues today with unmatched product innovations such as greasable Quick-change blade pins and a smooth, sloped deck that sheds debris.

And yet, we still go back to customers like you before redesigning a product. Erasing preconceptions, we listen – really listen – to what you need and value. Then, Woods engineers go to work creating a product that you will love to use.

Finally, we make it just a bit more durable, kick up the performance and add style, because that's what people expect from Woods.

Newly redesigned, the top-selling Woods BrushBull™ is easy to use and maintain, delivers superior cut quality and performance, and looks good doing it. Year after year after year.

Quick-hitch Ready

Driveline Hanger

Adjustable driveline hanger makes it easier to attach, and is standard on all models.

More Room

Corners angle back to give operators more room between the tractor tire and cutter when connecting and disconnecting cutter to tractor.

Skid Shoes

Full-length, bolt-on skid shoes protect the deck and are easy to change. Adjust the height on heavy-duty models.

Sloped Deck

Smooth, sloped deck sheds debris and is easy to clean.





Heavy-duty Gearboxes

Our advanced gearbox seal technology is designed for hard conditions, reduces leaks and downtime and is backed by our six-year gearbox warranty, which includes the seals.

Easy Maintenance

Patented Quick-change blade pins are easy to maintain and remove.



Patented Greasable Blade System

A large blade access hole makes it easy to reach our exclusive patented Quick-change pins and quickly change the blade from the top of the deck.

EASY TO OPERATE

Customers like you told us what's important in a single-spindle cutter. Then, we redesigned our premium BrushBull cutter to meet – and exceed – your needs. An adjustable drive lift hanger and quick-hitch readiness make it easy to attach. A large access window on top of the deck and our exclusive, patented greasable Quick-change blade pins make blade changes easy, even in the field. But, you're not sacrificing performance for ease. A deep deck, large half-inch by four-inch blade and welded baffle work together, creating a strong suction that lifts, then evenly cuts and distributes large amounts of material.

PROVEN DURABILITY

Choose a BrushBull for the hours of testing in extreme conditions, and a Z-shaped, high-strength steel bumper that's twice as thick as competitive models, for added durability when backing over tough brush. Or, choose Woods for the advanced gearbox seal technology that's so good our 6-year limited warranty includes the seals. That's worry-free reliability.

EASY TO MAINTAIN

Woods was the first to introduce a smooth, sloped deck that sheds debris. Front corners angle back to give operators more room between the tractor tire and cutter.



BB60.30
Shown with optional chain shielding

High-strength Steel

High-strength steel bumper is 2-times thicker than competitive models, with a Z-channel frame for added durability when backing over tough brush.

Our most popular models are ideal for clearing brush along fence rows, maintaining miles of interstate highways, and cutting overgrown grass, weeds and brush wherever you need to tame the land.

TRACTOR PTO HP RANGE: 15 - 75 HP

BB48.30 | 48-inch

BB60.30 | 60-inch

BB72.30 | 72-inch

- Three-point hitch: CAT 1, quick-hitch ready
- Cuts brush up to two inches in diameter
- Six-year limited gearbox warranty includes the seals
- A deep deck, with half-inch by four-inch blades and rear baffling work together to evenly cut and distribute large amounts of material, for a superior cut quality



TRACTOR PTO HP RANGE: 35 - 90 HP

BB84.40 | 84-inch

- Three-point hitch: CAT 1 & CAT 2, quick-hitch ready
- Cuts brush up to two inches in diameter
- Six-year limited gearbox warranty includes the seals
- Eleven-inch deep deck, with half-inch by four-inch blades and rear baffling work together to evenly cut and distribute large amounts of material, for a superior cut quality
- Choose an optional dual tailwheel for adjusting the mowing height



BB48.30
Shown with optional
chain shielding

BRUSHBULL™ SINGLE-SPINDLE PREMIUM CUTTERS

RC



MODEL	BB48.30	BB60.30	BB72.30	BB84.40
Tractor PTO (HP)	15-50	25-50	30-75	35-90
Hitch Category/Type	CAT 1 clevis			CAT 1 & CAT 2 clevis
Cutting Width (in)	48	60	72	84
Total Weight with Chain Shield (lbs)	635	728	878	1,118
Cutting Capacity Diameter (in)	2			
Adjustable Cutting Height (in)	1 - 9			2 - 12
Transport Width (in)	55	67	79	91
Overall Length (in)	86	99	111	124
Tractor PTO Speed (rpm)	540			540
Quick-hitch Ready	Yes			Yes
Rear Bumper	Z-channel			Z-channel
Frame & Deck Support (in)	3 x 3 tube			3 x 3 tube
Deck Construction	Smooth top, sloped			Smooth top, sloped
Skid Shoes	Full-length, replaceable			
Deck Thickness (ga in)	12 (.105)		11 (.120)	
Side Frame Thickness (ga in)	10 (.135)			
Side Frame Depth (in)	10.5			11.6
Gearbox Warranty	6-year limited			6-year limited
Gearbox (HP)	65	75		90
Output Shaft Diameter (in)	1.57			2
Blade Tip Speed (fpm)	13,000	14,335	14,963	15,086
Blade Dimensions (in)	.50 x 4			
Blade Pin Diameter (in)	1.50			
Blade Carrier	Oval stump jumper			
Driveline Protection	Slip-clutch			
Options	Check chain			Check chain, dual tailwheel



BB72.30
Shown with optional chain shielding

BRUSHBULL™ SINGLE-SPINDLE PREMIUM CUTTERS

TRACTOR PTO HP RANGE: 30 - 150 HP

BB60.50 | 60-inch

BB72.50 | 72-inch

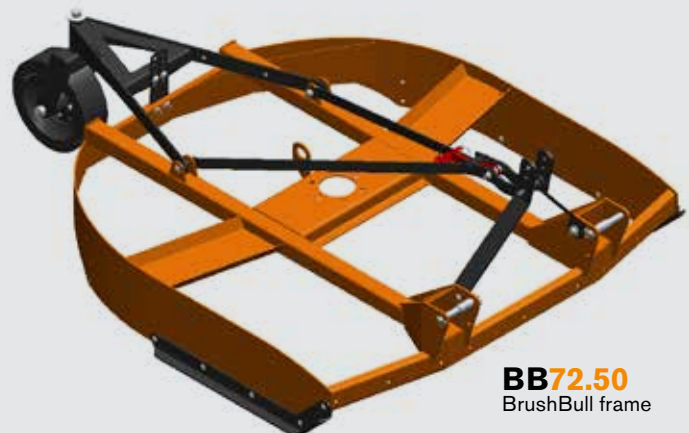
BB84.50 | 84-inch

- Three-point hitch: CAT 1 & CAT 2, CAT 2 & CAT 3, quick-hitch ready
- Cuts brush up to three inches in diameter
- Six-year limited gearbox warranty includes the seals
- High-strength 10 gauge steel deck manufactured for tough conditions
- A deep deck, with half-inch by four-inch blades and rear baffling work together to evenly cut and distribute large amounts of material, for a superior cut quality
- Options include round stump jumper, check chains for height adjustments, and dual tailwheel on models BB72.50 and BB84.50

MODEL	BB60.50	BB72.50	BB84.50
Tractor PTO (HP)	30-150		40-150
Hitch Category/Type	CAT 1 & CAT 2 clevis		CAT 2 & CAT 3 clevis
Cutting Width (in)	60	72	84
Total Weight with Chain Shield (lbs)	1,006	1,152	1,331
Cutting Capacity Diameter (in)	3		
Adjustable Cutting Height (in)	2 - 12		
Transport Width (in)	67.3	79.3	91.3
Overall Length (in)	100	112	124
Tractor PTO Speed (rpm)	540		
Quick-hitch Ready	Yes		
Rear Bumper	Z-channel		
Frame & Deck Support (in)	3 x 3 tube		
Deck Construction	Smooth top, sloped		
Skid Shoes	Full-length, replaceable		
Deck Thickness (ga in)	10 (.135)		
Side Frame Thickness (in)	0.25		
Side Frame Depth (in)	12.7		
Gearbox Warranty	6-year limited		
Gearbox (HP)	150		
Output Shaft Diameter (in)	2		
Blade Tip Speed (fpm)	15,525	15,900	16,000
Blade Dimensions (in)	.50 x 4		
Blade Pin Diameter (in)	1.5		
Blade Carrier	Diamond stump jumper, optional round		
Driveline Protection	Slip-clutch		
Options	Check chains, round stump jumper	Check chains, round stump jumper, dual tailwheel	

COUNT ON THE INTEGRITY OF THE BRUSHBULL FRAME

- Stress points are tied to full-length 3-inch by 3-inch tubes, not on the deck plate, for added stability.
- A full frame design means strength and durability are built into every BrushBull from the frame out.
- The rear bumper is a Z-shaped channel that's two-times thicker than competitive models, adding structural integrity when backing over brush.



BB72.50
BrushBull frame

BRUSHBULL™ SINGLE-SPINDLE PREMIUM CUTTERS

RC

TRACTOR PTO HP RANGE: 40 - 210 HP

BB60.60 | 60-inch

BB72.60 | 72-inch

BB84.60 | 84-inch

- Three-point hitch: CAT 1 & CAT 2, CAT 2 & CAT 3, quick-hitch ready
- Cuts brush and saplings up to four inches in diameter
- Six-year limited gearbox warranty includes the seals
- High-strength 10 gauge steel deck is made for extreme conditions
- Deck is 12.7 inches deep, with half-inch by four-inch blades, and rear baffling that work together to evenly cut and distribute large amounts of material, for a superior cut quality
- Options include round stump jumper and check chains for height adjustments

MODEL	BB60.60	BB72.60	BB84.60
Tractor PTO (HP)	40-150	50-210	65-210
Hitch Category/Type	CAT 1 & CAT 2 clevis		CAT 2 & CAT 3 clevis
Cutting Width (in)	60	72	84
Total Weight with Chain Shield (lbs)	1,082	1,366	1,568
Cutting Capacity Diameter (in)	4		
Adjustable Cutting Height (in)	2 - 12		
Transport Width (in)	67.3	79.3	91.3
Overall Length (in)	100	112	124
Tractor PTO Speed (rpm)	540		
Quick-hitch Ready	Yes		
Rear Bumper	Z-channel		
Frame & Deck Support (in)	3 x 3 tube		
Deck Construction	Smooth top, sloped		
Skid Shoes	Adjustable height full-length, replaceable		
Deck Thickness (ga in)	10 (.135)		
Side Frame Thickness (in)	0.25		
Side Frame Depth (in)	12.7		
Gearbox Warranty	6-year limited		
Gearbox (HP)	210		
Output Shaft Diameter (in)	3		
Blade Tip Speed (fpm)	13,570	13,945	14,250
Blade Dimensions (in)	.50 x 4		
Blade Pin Diameter (in)	1.5		
Blade Carrier	Diamond stump jumper, optional round		
Driveline Protection	Slip-clutch		
Options	Check chains, round stump jumper		



EXTRA DURABILITY AND HIGHER PERFORMANCE UNDER THE DECK, TOO!

Rear baffle, standard on all models, concentrates the airflow and ensures cut material is distributed evenly.

The large 1/2-inch by 4-inch blades and extra deep deck precisely cut large amounts of material.

A beefier, heavy-duty crossbar and 1/4-inch steel stump jumper protect the undercarriage from extreme conditions.

The frame is built with full-length 3-inch by 3-inch tubes and channels for extra durability.

Woods' RC-Series Single-spindle is ideal for getting the most from your compact or sub-compact tractor. Built with high-strength steel, Woods confidently stands behind this product with our three-year gearbox warranty.

**TRACTOR PTO HP RANGE:
15 - 50 HP**

RC48.20 | 48-inch

RC60.20 | 60-inch

RC72.20 | 72-inch

- Three cutting widths to fit the size of your job and paint colors to match your tractor.
- Unique smooth, sloped decks are easy to clean and reduce build-up of water and debris.
- Stump jumpers are standard on all models for added driveline protection.
- High-strength steel and quality parts provide dependable service year-after-year.
- Three-year gearbox warranty is one of the best in the industry.



MODEL	RC48.20	RC60.20	RC72.20
Tractor PTO (HP)	15-40	20-50	
Hitch Category / Type	CAT 1 cantilevered		
Cutting Width (in)	48	60	72
Adjustable Cutting Height (in)	2-9		
Cutting Capacity (in)	1		
Gearbox Rating (HP)	50		
Blade Tip Speed (fpm)	13,100	13,620	14,340
Side Frame Depth (in)	7		
Approximate Weight (lbs)	410	494	575
Blade Dimensions (in)	.5 x 3		
Blade Carrier	Oval stump jumper		
Tailwheel (in)	4 x 16 laminated		
Driveline Protection	Shear-bolt or slip-clutch		
Driveline Holder	Yes, on deck		
Tractor PTO Speed (rpm)	540		
Quick-hitch Ready	Yes		
Cutting Area Shielding	Belt standard; chain shielding optional		
Warranty (cutter/gearbox)	1-year / 3-year		



Choose Your Color!

Painted to match most tractor brands.



RC72.20

Shown with optional chain shielding

Easy to Use

The proven leader in the cutter business delivers a full line of durable easy-to-use rotary cutters for both brush cutting and crop shredding. Choose our 30-, 40-, or 50-series models loaded with features that help you work efficiently and effectively – whatever you’re cutting or shredding.

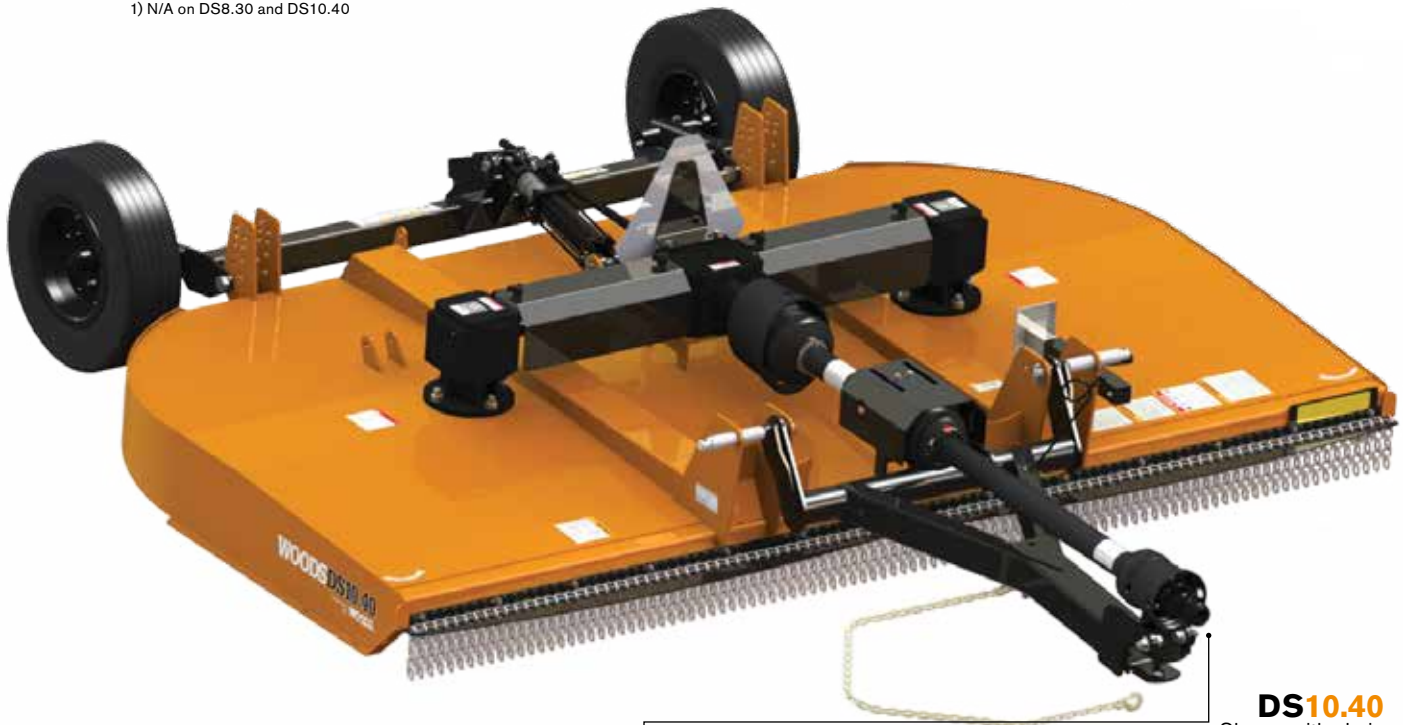
- A floating hitch allows the cutter to follow the terrain. Cross steep inclines and ditches with ease.
- Changing cutting blades is a snap with the exclusive Woods patented Quick-change blade pin system, standard on all gear-driven dual-spindle cutters. 50-series models also feature a large blade access window in the deck.
- The 50-series offers variable wheel spacing so you can adjust the wheels for row crops.

Hard to Break

You’ll rely on your Woods rotary cutter for years because we still manufacture them with the same dependable quality that we’ve built in since 1946.

- Woods gearboxes feature heat-treated, alloy steel gears that stand up to the demands of rotary cutting.
- Sloped-top decks shed water and debris to prevent rust and corrosion and wrap around a heavy steel superstructure.
- Spring cushion axles reduce stress spikes to keep your Woods rotary cutter delivering high-performance cutting.¹
- Factory balanced stump jumpers are standard. Avoid hazards and save your blades from wear and tear.¹

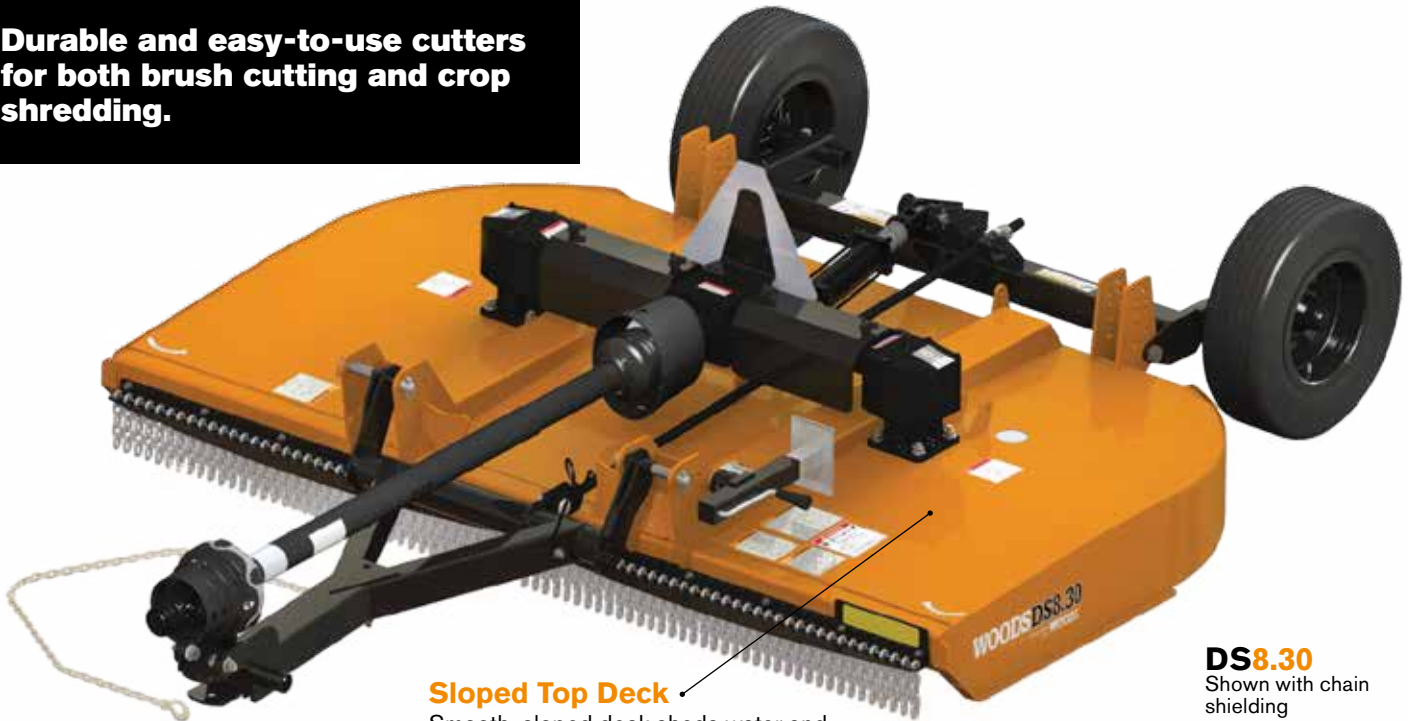
¹) N/A on DS8.30 and DS10.40



CV Drive
Less maintenance,
smoother operation.

DS10.40
Shown with chain
shielding

Durable and easy-to-use cutters for both brush cutting and crop shredding.



Sloped Top Deck

Smooth, sloped deck sheds water and debris to prevent rust and corrosion.

DS8.30

Shown with chain shielding

30- and 40-series Dual-spindle Cutters

TRACTOR PTO HP RANGE: 35 - 120 HP

DS8.30 | 96-inch, pull-type

MDS8.30 | 96-inch, 3-point mounted

DS10.40 | 120-inch, pull-type

MDS10.40 | 120-inch, 3-point mounted

- Cuts light brush up to 1.5 inches (30-series) to 2 inches (40-series) in diameter
- Six-year limited gearbox warranty

MODEL	DS8.30 (PULL-TYPE) MDS8.30 (3-POINT MOUNTED)	DS10.40 (PULL-TYPE) MDS10.40 (3-POINT MOUNTED)
Minimum Tractor PTO (HP)	35 pull-type 45 mounted	40 hp pull-type 60 hp mounted
Hitch Category / Type	Pull-type: pivoting clevis; mounted: CAT 1 or 2 / clevis	Pull-type: pivoting clevis; mounted: CAT 2 or 3 / clevis
Cutting Width (in)	96	120
Adjustable Cutting Height (in)	2-12	
Cutting Capacity (in)	1.5	2
Gearbox Rating (HP)	100 center / 75 spindle	120 center / 90 spindle
Blade Tip Speed (fpm)	15,200	16,700
Deck Side Depth (in)	10	
Deck Thickness (ga in)	10 (.135)	
Overall Width (in)	100	124
Overall Length (in)	Pull-type: 142 (25" tires) mounted: 96	Pull-type: 155 (25" tires) mounted: 106
Approximate Weight (lbs)	Pull-type: 1,467 mounted: 1,213	Pull-type: 1,847 mounted: 1,576
Blade Dimensions (in)	.5 x 4	
Wheel Selection	Laminated, severe duty new ag; foam filled new ag, 15 inch rims	
Optional Dual Wheels - Pull-Type	No	
Quick-hitch Ready	Yes	
Gearbox Warranty	6-year	

Patented Quick-change Blade Pins

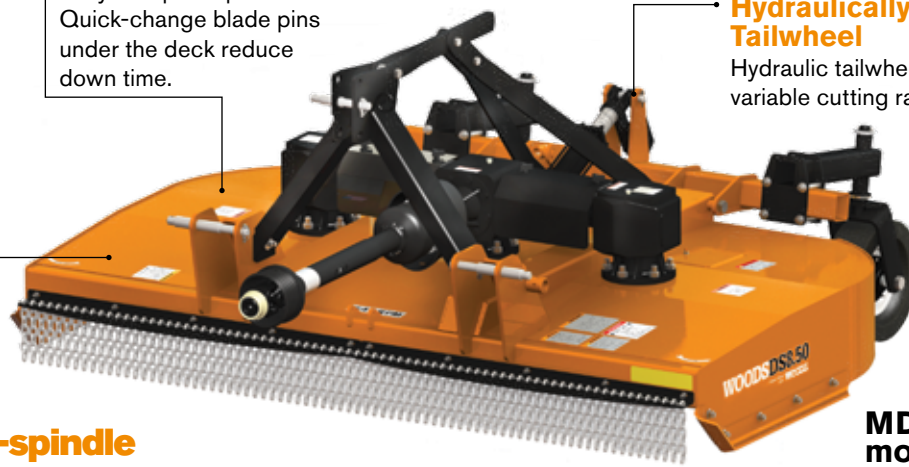
Easy to replace patented Quick-change blade pins under the deck reduce down time.

Hydraulically Adjustable Tailwheel

Hydraulic tailwheel offers a variable cutting range.

Tubular Front Frame

Greater strength and rigidity for towing.



MDS8.50 mounted

Shown with chain shielding

50-series Dual-spindle Cutters

TRACTOR PTO HP RANGE: 40 - 200 HP

DS8.50 | 96-inch, pull-type

MDS8.50 | 96-inch, 3-point mounted

DS10.50 | 120-inch, pull-type

MDS10.50 | 120-inch, 3-point mounted

- Cuts brush up to 3 inches in diameter
- Variable wheel spacing
- Our advanced gearbox seal technology, designed for harsh conditions, reduces leaks and downtime and is backed by our six-year gearbox warranty – which includes the seals

MODEL	DS8.50 (PULL-TYPE) MDS8.50 (3-POINT MOUNTED)	DS10.50 (PULL-TYPE) MDS10.50 (3-POINT MOUNTED)
Minimum Tractor PTO (HP)	40 pull-type 55 mounted	50 pull, semi-mounted 65 mounted
Hitch Category / Type	Pull-type: pivoting clevis; mounted: CAT 2 or 3 / clevis	
Cutting Width (in)	96	120
Adjustable Cutting Height (in)	2-12	
Cutting Capacity (in)	3	
Gearbox Rating (HP)	205 center, 160 spindle	205 splitter, 160 spindle
Blade Tip Speed (fpm)	14,886 at 540 rpm	15,974 at 540 rpm 16,232 at 1,000 rpm (MDS only)
Deck Side Depth (in)	13	
Deck Thickness (ga in)	10 (.135)	
Overall Width (in)	103	127
Overall Length (in)	Pull-type: 150 (25" tires) mounted: 99	Pull-type: 162 mounted: 111
Approximate Weight (lbs)	Pull-type: 2,238 mounted: 2,069	Pull-type: 2,537 mounted: 2,373
Blade Dimensions (in)	.5 x 4	
Wheel Selection	Laminated, severe duty new ag; foam filled new ag, 15 inch rims, used aircraft	
Optional Dual Wheels - Pull-Type	Yes	
Quick-hitch Ready	Yes	
Gearbox Warranty	6-year	

50-series Offset Dual-spindle Cutters

TRACTOR PTO HP RANGE: 50 - 200 HP

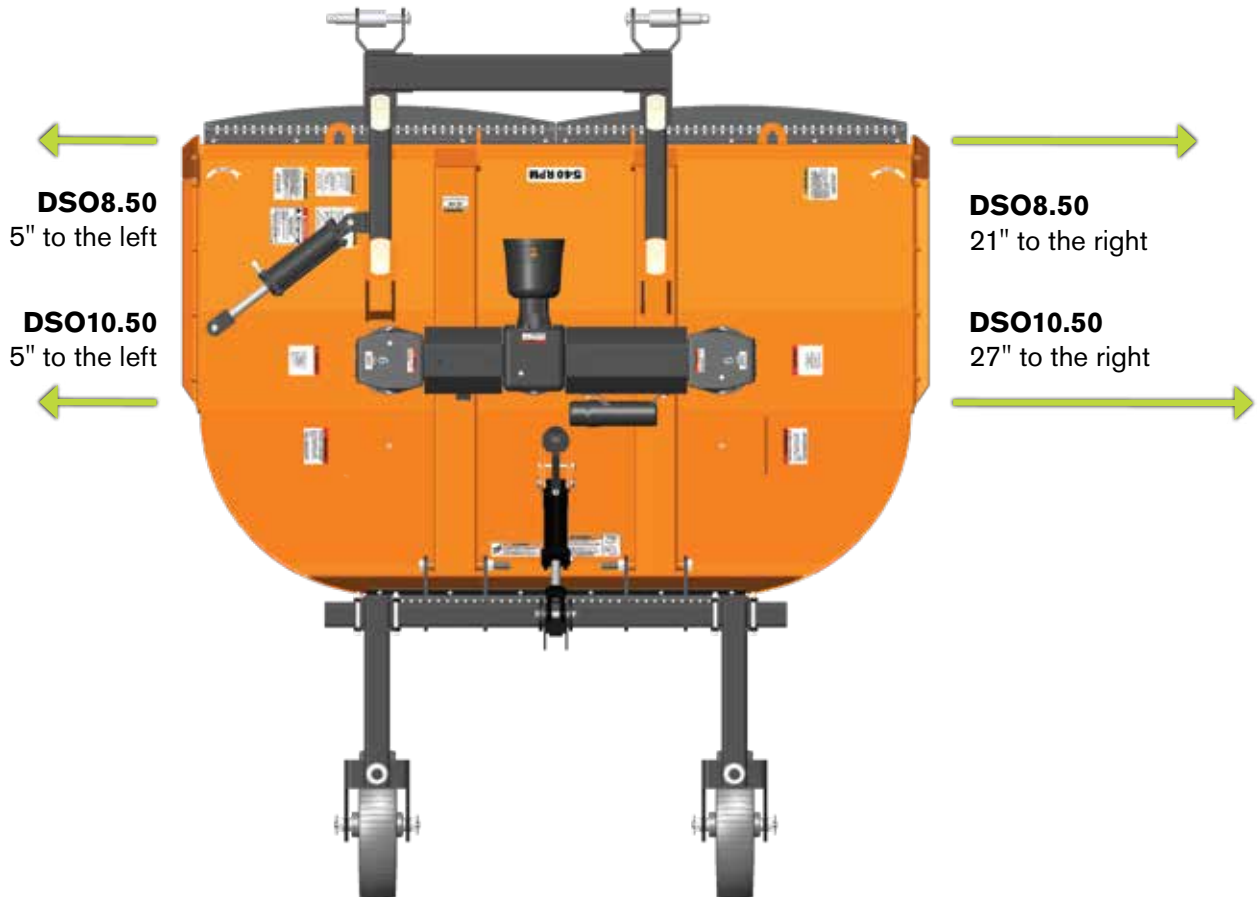
DSO8.50 | 96-inch, semi-mounted

DSO10.50 | 120-inch, semi-mounted

Woods' rugged and powerful 50-Series offset models are ideal for orchards, tree-lined fields and any setting with overhangs.

- Cuts brush up to 3 inches in diameter
- Variable wheel spacing
- DSO8.50 Hydraulic variable offset 21 inches to the right or 5 inches left
- DSO10.50 Hydraulic variable offset 27 inches to the right or 5 inches left
- Advanced gearbox seal technology, designed for harsh conditions, reduces leaks and downtime and is backed by our six-year gearbox warranty – which includes the seals

Hydraulic Variable Offset





DSO8.50
Shown with
chain shielding

Woods' offset models reach far under canopies on either side of the tractor.

MODEL	DSO8.50	DSO10.50
Minimum Tractor PTO (HP)	Semi-mounted: 40	Semi-mounted: 50
Hitch Category / Type	CAT 2 or CAT 3 / clevis	
Hydraulic Variable Offset (in)	21 to the right, 5 to the left	27 to the right, 5 to the left
Cutting Width (in)	96	120
Adjustable Cutting Height (in)	2-12	
Cutting Capacity (in)	3	
Gearbox Rating (HP)	205 center, 160 blade spindle	205 splitter; 160 blade spindle
Gearbox Warranty	6-year	
Blade Tip Speed (fpm)	14,886 at 540 rpm	15,974 at 540 rpm
Deck Side Depth (in)	13	
Deck Thickness (ga l in)	10 (.135)	
Overall Width (in)	103	127
Overall Length (in)	122	128
Approximate Weight (lbs)	2,335	2,510
Blade Dimensions (in)	.5 x 4	
Wheel Selection (in)	21 laminated	



TKP72.40

Shown with optional
chain shielding

FINISH MOWERS

TURFKEEPER™



TK60.20

Shown with optional
chain shielding

**TURFKEEPER
PRO™**



TKP72.40

Shown with optional
chain shielding

TIME TO GET EVEN

EVEN CUT. EVEN DISTRIBUTION. EVEN COSTS LESS TO OWN.



TIME TO GET EVEN

EVEN CUT. EVEN DISTRIBUTION. EVEN COSTS LESS TO OWN.



Introducing the new rear-mount finish mowers from Woods, the TurfKeeper™, designed to deliver outstanding cut quality at a lower cost of ownership.



3-year Gearbox Warranty
Confidence in the durability of your Woods mower.



1-year Spindle Warranty
Lubed for life spindles with one year warranty provide ease of mind.



Driveline Holder
Keep the drive out of the dirt, even when attaching.



Easy Shield Removal
No tools needed to access belt sheaves, belt, spring-loaded idler.



Cast Iron Sheaves
Better belt grip for extended belt life.



Serviceable Belt Idler
Replaceable idler post and bronze bushing.



Optional Chain Shielding
Helps prevent discharge of foreign objects.



Optional Front Roller
Anti-scalp protection for uneven terrain.



Quick-Hitch Ready
CAT 1 quick-hitch ready as shipped.

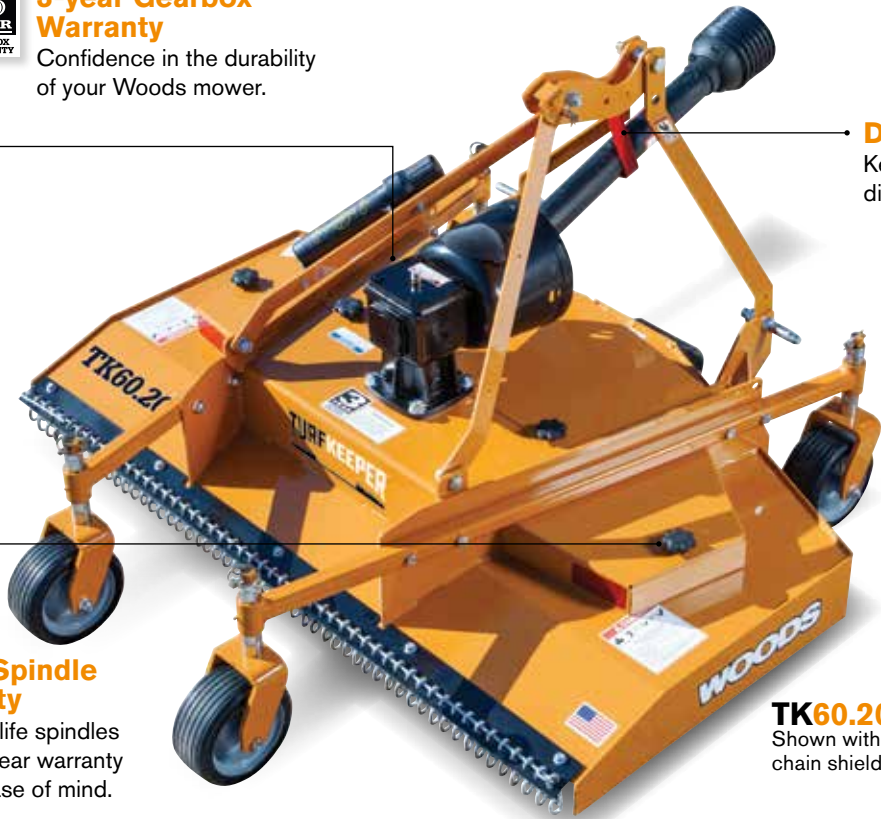


3-year Gearbox Warranty

Confidence in the durability of your Woods mower.

Driveline Holder

Keep the drive out of the dirt, even when attaching.



1-year Spindle Warranty

Lubed for life spindles with one year warranty provide ease of mind.

TK60.20

Shown with optional chain shielding

MODEL	TK60.20	TK72.20
Tractor PTO (HP)	15-35	20-35
Hitch / Quick-hitch Ready	Limited CAT 1 & CAT 1 / Yes	CAT 1 / yes
Cutting Width (in)	60	72
Weight (lbs)	480	540
Adjustable Cutting Height (in)	1.5 - 5	
Overall Width (in)	61	73
Deck Material Thickness (ga)	10	
Side skirt (ga in)	7 x 4.8	
Gearbox Rating (HP)	35	
Blade Tip Speed (fpm)	17,900	18,000
Blade Overlap (in)	1.25	
Blade Spindles / Bearings	3 cast iron housings / greasable ball bearings	
Spindle Maintenance	Lubed-for-Life	
Tractor PTO Speed (rpm)	540	
Driveline Size	CAT 2	
Belt	B-section Kevlar®	
Belt Adjustment	Spring-loaded idler	
Cutting Area Shielding	Chain shielding (optional)	
Mower Warranty	1-year residential or 90 days commercial	
Gearbox Warranty (limited)	3-year homeowners or 1-year commercial	

Kevlar® is a registered trademark of DuPont™.

TRACTOR PTO HP RANGE: 15 - 35 HP

TK60.20 | 60-inch cutting width

TK72.20 | 72-inch cutting width

- High-lift blades for best in class lifting and cutting of green material for evenness of cut.
- Parallel frame deck sides spread material from edge to edge for even material distribution.
- High blade tip speeds enhance productivity with improved mowing at higher speeds for less time on the job.
- Hitch: Limited CAT 1 (TK60.20) and CAT 1 (TK60.20 & TK72.20).



*** NOTE:** All TurfKeeper™ finish mower models pass all applicable safety standards for thrown object and blade contact without chain shielding. However, if these units will be used in areas where the possibility of thrown objects could be hazardous to persons or property, it is strongly recommended that optional chain shielding be used for extra protection.



TIME TO GET EVEN LIKE A PRO

EVEN CUT. EVEN DISTRIBUTION. EVEN COSTS LESS TO OWN.



TurfKeeper Pro™ is packed with features including a deep high-grade steel deck, premium caster wheels, and heavy-duty construction to meet the demands of even the toughest commercial applications.

Re-designed under deck baffling, a floating lower hitch, high-lift blades, and parallel side frames create an extremely even cut and even distribution of cut material...even when mowing at higher speeds. For ease of attachment, TurfKeeper Pro comes with a convenient driveline holder and is quick-hitch ready from the factory, without the need for additional hardware.

Combine all these great features with our 6-year gearbox warranty and 3-year spindle warranty, and you'll have complete confidence that the TurfKeeper Pro is one of the most rugged, best performing, and easiest to use finish mowers available.



6-year Gearbox Warranty
Confidence in the durability of your Woods mower.



3-year Spindle Warranty
Ductile iron blade spindles with triple ball bearings and three-year warranty.



Driveline Holder
Keep the drive out of the dirt, even when attaching.



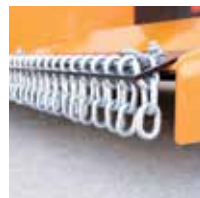
Easy Shield Removal
No tools needed to access belt sheaves, belt, spring-loaded idler.



Cast-iron Sheaves
Better belt grip for extended belt life.



Spring-loaded Belt Tensioner
Replaceable ball bearing pivot for smooth operation.



Optional Chain Shielding
Helps prevent discharge of foreign objects.



Optional Front Roller
Anti-scalp protection for uneven terrain.



Quick-Hitch Ready
CAT 1 quick-hitch ready at purchase.



TRACTOR PTO HP RANGE: 15 - 50 HP

- TKP60.40** | 60-inch cutting width
- TKP72.40** | 72-inch cutting width
- TKP84.40** | 84-inch cutting width

- Heavy duty construction provides maximum durability.
- Strong, 7 gauge steel deck and a powerful 60 hp gearbox.
- Uniquely designed for best-in-class cut quality.
- Floating lower hitch helps to follow ground contours for a smooth, even cut.
- Easy shield removal-no tools necessary.
- Deep deck and high blade tip speeds help you get the job done faster.
- Optional chain shielding attaches and detaches easily.
- Ideal for mowing large lawns, sports fields and parks.
- Superior baffle design distributes material more evenly.



TurfKeeper Pro delivers best-in-class cut quality at a lower cost of ownership.
It's time to get even with your grass - like a pro!

Ease of Attachment

Quick-hitch ready from the factory for ease of attachment.



Durability

Premium, solid rubber caster wheels for performance and durability.

TKP72.40

Shown with optional chain shielding

MODEL	TKP60.40	TKP72.40	TKP84.40
Tractor PTO (HP)	15-50	20-50	25-50
Product Weight (lbs)	617	686	790
Shipping Weight (lbs)	710	779	898
Hitch	CAT 1 & Ltd CAT 1	CAT 1	
Quick-hitch Ready	Yes		
Floating Lower Hitch	Yes		
Cut Width (in)	60	72	84
Overall Width (in)	61	73	85
Cut Height (in)	1.5 - 5.0		
Gearbox Rating (HP)	60		
Driveline Category	CAT 3		
Spindle Housing	Ductile iron		
Spindle Bearings	Triple ball bearings		
Greasable Spindle	Yes		
Spindle Sheave Type	Cast-iron		
Belt	B-section Aramid		
Belt Adjustment	Spring-loaded w/ bearing pivot		
Blade Size (in)	1/4 x 2-1/2 x 21	1/4 x 2-1/2 x 25	5/16 x 2-1/2 x 29
Blade Overlap (in)	1.5		
Blade Tip Speed (fpm)	18,000	18,100	
Deck Thickness (ga)	7		
Deck Depth (in)	5.38		
Caster Wheels (in)	4 x 10 solid		

FM REAR-MOUNT MOWERS

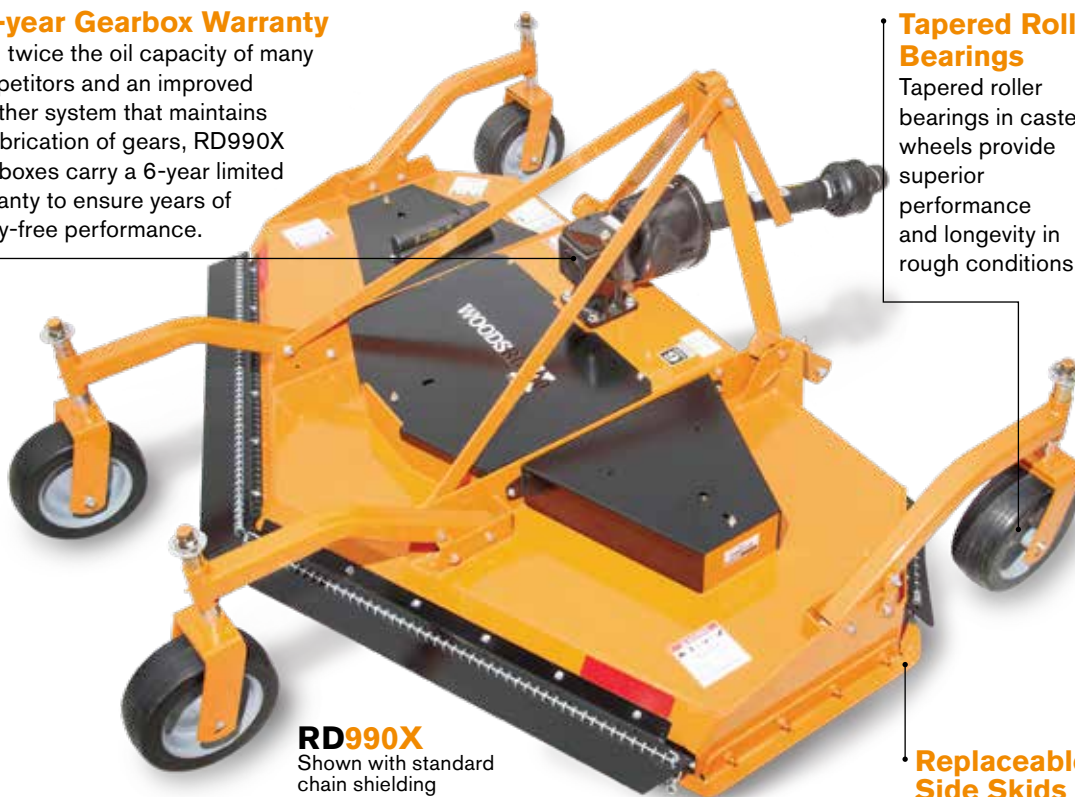


Six-year Gearbox Warranty

With twice the oil capacity of many competitors and an improved breather system that maintains oil lubrication of gears, RD990X gearboxes carry a 6-year limited warranty to ensure years of worry-free performance.

Tapered Roller Bearings

Tapered roller bearings in caster wheels provide superior performance and longevity in rough conditions.



RD990X
Shown with standard chain shielding

Replaceable Side Skids

Replaceable side skids attach to heavy side frames for durability and long life.

MODEL	RD990X
Tractor PTO (HP)	45-75
Hitch / Quick-hitch Ready	CAT 1 & CAT 2 / yes
Cutting Width (in)	90
Weight (lbs)	1,333
Adjustable Cutting Height (in)	1.5-7
Overall Width (in)	97
Deck Material Thickness (ga)	7
Side Skirt (in)	.31 x 8.5 with skid shoes
Gearbox Rating (HP)	75
Blade Tip Speed (fpm)	17,000
Blade Overlap (in)	2
Blade Spindles / Bearings	3 cast iron housings / greasable tapered roller bearings
Tractor PTO Speed (rpm)	540
Driveline Size	CAT 4
Belt	Powerband w/double B-section
Belt Adjustment	Spring-loaded idler
Cutting Area Shielding	Chain shielding
Mower Warranty	1-year
Gearbox Warranty (limited)	6-year
Spindle Warranty (limited)	3-year

TRACTOR PTO HP RANGE: 45 - 75 HP

RD990X | 90-inch cutting width

The Woods RD990X rear-mount finish mower is tough yet versatile enough to move from rough, weedy farmland to commercial lawns and landscapes.

- Three-point hitch: CAT 1 and CAT 2.
- Blade tip speed: 17,000 fpm.
- Takes down grass and light weeds, and leaves a high grade finish cut behind.
- Features a patented Quick-change blade system, an extra strong double B-section belt, and anti-wrap bars that prevent damage caused by material wrapped around lower spindle.
- Deep deck and stump jumper blade carrier with free-swinging blades ideal for rough grass.
- Floating lower hitch points allow the mower to follow uneven terrain.
- Chain shielding standard.

INTRODUCING THE NEW

TURF BATWING™

TRIPLE-DECK FLEXWING FINISH MOWERS

ESTATE | COMMERCIAL



***The Turf Batwing™ includes the cutting technology from the #1 rated TurfKeeper Pro™, rated best in cut quality in independent testing.**

For more information visit woodsequipment.com

Introducing the newly redesigned Turf Batwing®, our triple-deck, rear-discharge, flexwing finish mower for large lawns, estates and commercial applications. The Turf Batwing delivers the best-in-class cut quality at a lower cost of ownership. That's how Woods helps you *Get After It*.

Estate Model

The Estate model offers a 12-ft cutting width and Woods' latest innovative precision cutting technology that beautifies your lawn in less time, leaving that well-manicured look.

Commercial Models

Commercial models are available in 12-ft, 15-ft and 17-ft cutting widths and are engineered with proven components for best-in-class cut quality* and extreme durability. Tackle challenging terrains and overcome demanding commercial applications.



TBW17.40
Shown with optional chain shielding and anti-scalp rollers.

TURF BATWING™

Estate Model

TRACTOR PTO HP RANGE: 25 - 60 HP

TBW12.20 | 12-foot cutting width

- High-lift blades for best-in-class lifting and cutting of green material for evenness of cut.
- Parallel deck side frames spread material from edge to edge for even material distribution.
- High blade tip speeds enhance productivity with improved mowing at higher speeds for less time on the job.
- Trust the Woods legacy for durable, high-quality cutting equipment for all your mowing needs.

Woods' latest innovative precision cutting technology beautifies your lawn in less time, leaving that well-manicured look.



TBW12.20
Shown with optional chain shielding, front and rear anti-scalping rollers and light kit.

SPECIFICATIONS	TBW12.20
Tractor PTO HP	25-60
Shipping Weight (lbs)	2005
Hitch	CAT 2 drawbar
Cut Width (in)	144
Cut Height (in)	1.5 - 4.5
Overall Width (in)	147
Max. Overall Length (in)	141
Transport Tongue Wt. (lbs)	384
Transport Width (in)	91
Transport Length (in)	135
Transport Height (in)	71.5
Splitter Gearbox HP	100
Deck Gearbox HP	30
Blade Tip Speed (fpm)	18,000
Drive Type	Gearbox over v-belt
Input Driveline	CAT 3 (CV)
Wing Drivelines	CAT 3
Transport Tires (in)	(2) 20.5x8-10
Caster Wheels (in)	(10) 8 x 3.5 solid
Trailer Frame Construction	4.0 x 4.0 x .25 sq tube
Deck Thickness	10 gauge
Blade Spindles	(9) ductile iron, lubed-for-life
Blade Overlap (in)	1.25
Blade Dimensions (in)	(6) .25 x 2.5 x 17.0, (3) .25 x 2.5 x 20.8
Hydraulic Remotes Required	(1)



3-year Gearbox Warranty
Confidence in the durability of your Woods mower.



1-year Spindle Warranty
Ductile iron blade spindles are lubed-for-life.



Hydraulic Cylinders
Rugged, single-acting hydraulic cylinders fold the mower for transport.



Easy Shield Removal
No tools needed to access belt sheaves, belt or spring-loaded idler.



Transport Lock Quick Release
Easily pull the rope to release transport lock.



Cast-iron Sheaves
Better belt grip for extended belt life.



Spring-loaded Belt Tensioner
Replaceable idler post and bronze bushing.



Optional Front and Rear Rollers
Anti-scalp protection for uneven terrain.



Optional Chain Shielding
Added protection to further reduce the risk of thrown objects.



For compact tractors

TBW12.20
Shown in transport mode.



TURF BATWING™

Commercial Models

TRACTOR PTO HP RANGE: 30 - 80 HP

TBW12.40 | 12-foot cutting width

TBW15.40 | 15-foot cutting width

TBW17.40 | 17-foot cutting width

With its unique deck design and heavy duty steel construction, the new commercial Turf Batwing finish mower line combines unsurpassed cut quality and extreme durability. This rugged workhorse is capable of withstanding 2,000 hours of continuous runtime and features premium caster wheels to tackle uneven terrain. What's more, its unique high-lift blades and baffling design produce unrivaled cut quality*, making it the best choice when you mean business on your job.

**COMMERCIAL GRADE.
FINISH CUT.
NO COMPROMISES.**



TBW15.40

Shown with optional chain shielding, front and rear anti-scalping rollers and light kit.

SPECIFICATIONS	TBW12.40	TBW15.40	TBW17.40
Tractor PTO (hp)	30-80	35-80	40-80
Hitch	CAT 1, Drawbar	CAT 2, Drawbar	
Hitch Adjustment	Floating Clevis, Multi-position		
Cut Width (in)	144	180	204
Cut Height (in)	1.5 - 5.5		
Wing Deck Cut Width (in)	48	60	72
Center Deck Cut Width (in)	60	72	72
Deck Overlap (in)	6.0		
Overall Width (in)	145	183	205
Transport Width (in)	88	97	101
Max. Overall Length (in)	171	182	
Transport Length (in)	167	176	
Splitter Gearbox (hp)	100		
Blade Tip Speed (fpm)	18,000	18,100	
Drive Type	Gearbox over v-belt		
Input Driveline	CAT 4 CV (const. vel.)		
Wing Drivelines	CAT 3		
Transport Tires [in]	(2) 20.5 x 8-10		
Caster Wheel Bearings	Tapered roller bearings		
Caster Wheels (in)	(10) 15 x 6-6 pneumatic	(10) 18 x 9.5-8 pneumatic	
Wing Deck Lift Cylinders	3.0 x 10 single-acting		
Center Deck Lift Cylinders	3.0 x 8 single-acting		
Trailer Frame Construction (in)	4.0 x 4.0 x .25 sq tube		
Deck Thickness	7 gauge		
Blade Spindles	(9) ductile iron		
Blade Spindle Bearings	Triple ball bearings		
Blade Dimensions (in)	(6) .25 x 2.5 x 17 (3) .25 x 2.5 x 21	(6) .25 x 2.5 x 21 (3) .25 x 2.5 x 25	(9) .25 x 2.5 x 25



6-year Gearbox Warranty

The industry's most comprehensive warranty covers both the gearbox and seals.



3-year Spindle Warranty

Ductile iron blade spindles with triple ball bearings.



More Even Cut

Unique baffling and blade design lifts grass more efficiently for a better cut.



Handle Rugged Terrain

Repositioned, extra-large casters better handle rugged terrain.



Wider Discharge Area

Wider discharge area allows clippings to flow through effortlessly, without clogging.



Improved Belt Drive Design

Handles more horsepower than ever before to maintain superior cut quality at higher speeds.



Easy Shield Removal

No tools needed to access belt sheaves, belt and spring-loaded idler.



Optional Front and Rear Rollers

Anti-scalp protection for uneven terrain.



Optional Chain Shielding

Helps prevent discharge of foreign objects.



CSS48

SEEDERS



CSS60

There's nothing like the smell of fresh turned dirt and the hope of newly planted seeds.

Woods' seeders give you the flexibility to handle primary seeding, over-seeding, and can even plant up to three types of seed in one pass. You choose the combination of seed boxes that fits your application. That means efficient, one-pass planting that maximizes efficiency and productivity.

Woods offers three types of seeders - the Food Plot Seeder, Precision Super Seeder, and the Compact Super Seeder. Our seeders are designed for tractors ranging from 15 to 125 HP and come in 48 to 84 inch widths.

**GOOD THINGS...
PRECISION
METERING,
MANEUVERABILITY,
VERSATILITY,
PRODUCTIVITY,
DURABILITY...
COME IN COMPACT
PACKAGES
FROM WOODS.**

Ideal for small-scale planting, such as food plots, lawns, gardens, wildflower meadows, waterways and roadways. Widths 48 or 60 inches and lighter weight so you can maneuver into formerly unreachable areas.

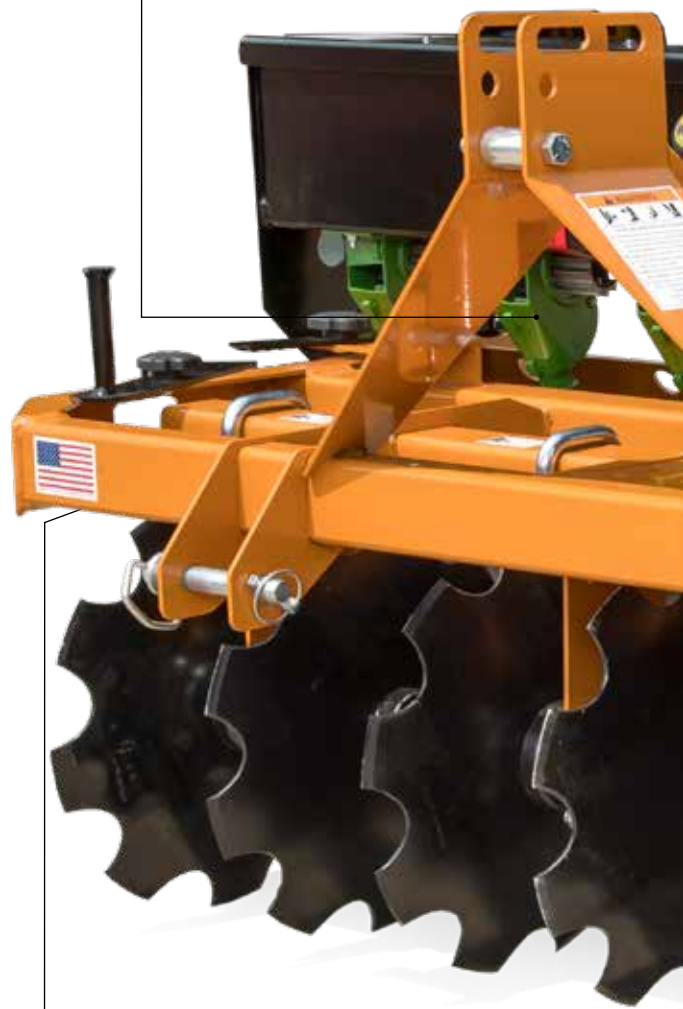
**Additional Features
Standard on Both Models**

- The calibration system includes seed charts, a calibration tray and crank for accurate seed rates. **WOODS EXCLUSIVE**
- Windowed seed cups and clear PVC tubes allow you to easily monitor the flow of seeds.
- A quick and easy disconnect – pull a pin and one or both seed boxes stop to make it a tilling tool for preparing the ground. Till your seed bed, then replace the pin and engage the seeding function for a final pass.

**WOODS
EXCLUSIVE**

Precision Metering

Precisely measure out seeds, reducing waste, plus enjoy the durability of metal (not plastic) meters.



Maneuverability

Easily weave into narrow spaces and make tight turns to plant areas that may not be accessible with a larger tractor and planter.



Versatility

Handle a wide range of seeds from Black-eyed Susans to corn. See our planting guide.

CSS60

Productivity

Simultaneously plant two seed types at two different depths in one pass.



Durability

Expect years of work from a rugged, Grade 80 steel body.

COMPACT SUPER SEEDERS

The Woods Compact Super Seeder is everything you need in one compact cultivation and planting package. In one pass, you can prepare the seed bed, precisely drop seeds at two different depths, then firm the bed for improved germination.

Woods' superior design enables you to maneuver into tight spaces and reach once unreachable places. Go ahead, plant a little food plot in the woods. You can do it with the Woods Compact Super Seeders.



CSS48

CHOOSE THE FEATURES THAT FIT YOUR PROJECT

Every model starts with a spiked drive roller and a cool season seed box. Then, choose the front tool that will prepare your seed bed.

**WOODS
EXCLUSIVE**

Choose one of these options to improve your productivity and versatility:



Spiked roller with adjustable angles that will penetrate thatch and aerate lawns. Or, angle it to break up the surface and remove stands of turf.

OR



Adjustable disc blades that will cut into and work the soil. Easily adjust the blade angles to till more aggressively depending upon soil conditions.

Plus any or all of these:

- + Add a legume seed box and now you can plant two seeds at different depths in one pass.
- + Mud scrapers help keep blades free from dirt clods, mud and clay.
- + An electric tow kit for ATVs and UTVs for tractors that make it easy to transport.

Plus, a fast/slow chain drive, road lights, seed stop plates – the options offer you nearly endless ways to customize your Woods Compact Super Seeder.

Reach Once Unreachable Plots

If you prefer to work the land on an ATV or UTV instead of a tractor, the Woods Compact Super Seeder is your machine. Full-featured like our larger seeders, with the same rugged steel body and parts — yet, lightweight so that you can easily lift, tow, till and sow with an ATV or UTV.

Tow Kit

Make your seeder easy to transport with an optional tow kit. You won't even need to leave your seat to raise and lower the seeder.

Available models include an electric tow kit for ATVs and UTVs.

Available for PSS and CSS models.



CSS60

TRACTOR HP RANGE: 15 - 45 HP

CSS48 | 48-inch

CSS60 | 60-inch

- Three-point hitch:
CAT 1/Limited CAT 1
- Working width 48 - 60 inches
- ATV/UTV minimum 350 - 400cc



MODEL	CSS48	CSS60
Tractor Engine (HP)	15-35	20-45
Tractor Hitch	CAT 1/Limited CAT 1	
ATV/UTV Engine Size (cc)	Minimum 350	Minimum 400
Working Width (in)	48	60
Overall Width	57	69
Weight with Seed, Depending upon Configuration (lbs)	395-679	487-810
Drive Type	Ground-driven spiked roller	
Number of Seed Boxes Available	1 or 2	
Seed Metering	6 seed cups	8 seed cups
Seed Box Ratio	5.1:1 or 14.4:1	5.1:1 or 14.4:1
Cool Season Seed Box with Agitator	Standard	
Cool Season Seed Box Capacity (bushel)	1.00	1.25
Legume Seed Box	Optional	
Legume Seed Box Capacity (bushel)	1.00	1.25
Front Tool Choices	6 - 16" notched disc blade or spiked roller	8 - 16" notched disc blade or spiked roller
Calibration Tray	Standard	
Crank Handle	Standard	
Spring-loaded Trailing Cultipacker	Optional	
Speed Ranges	Turf seed range 0-700 lbs/acre (cool season); food plot range 0-30 lbs/acre (legume)	
Options	Fast/slow chain drive, quick-hitch bushings, mud scrapers, seed stop plates, highway lights, tow kit	
ASABE Quick Hitch	Add hitch pin bushings to make CAT 1 quick-hitch ready	

Plant up to three types of seed in one pass. Ideal for hunters and small acreage farmers seeding legumes and larger seeds.

- Three seed box choices — one cool season and two legume — can plant a variety of seeds like alfalfa, clover, corn, sorghum, soybeans, turnips and wheat.
- A trailing cultipacker firms the seed bed for perfect seed-to-soil contact that's ready to trap moisture for germination.
- Plant cool season seeds in rows at a deeper depth while evenly broadcasting up to two types of legume seeds at a shallow depth — all in one pass.

FPS72

Shown with optional mud scrapers, legume seed boxes and cultipacker



TRACTOR HP RANGE: 25 - 125 HP

FPS48 | 49-inch

FPS60 | 60-inch

FPS72 | 72-inch

FPS84 | 84-inch

- Three-point hitch: CAT 1 & CAT 2
- Working widths from 48–84 inches

MODEL	FPS48	FPS60	FPS72	FPS84
Tractor Engine (HP)	25-45	30-65	35-85	40-125
Tractor Hitch	CAT 1 & CAT 2			CAT 2
Working Width (in)	49	60	72	84
Weight – Standard Configuration ¹ (lbs)	821	899	1,196	1,320
Weight – Fully Configured ² (lbs)	1,084	1,222	1,578	1,762
Drive Type	Ground			
Number of Seed Boxes Available	3			
Seed Box Ratio	1-speed			
Seed Cups (7" spacing)	7	8	10	12
Row Units	Standard			
Cool Season Seed Box Capacity (bushel)	4.00	5.00	6.00	7.00
Legume Seed Box Capacity (bushel)	1.00	1.25	1.50	1.75
Disc Blades	(8) 16" notched		(10) 18" notched	
Cast Iron or Nylon Trailing Cultipacker	Optional (9.5" diameter cast iron or 11" diameter nylon)			
Calibration Tray & Crank Handle	Standard			
Mud Scrapers & Frame Platform	Optional			
ASABE Quick-hitch Ready	Yes			

¹ Includes spiked drive roller, disc blades, cool season seed box, and row units.

² Includes cultipacker drive roller, disc blades, cool season seed box, row units, 1st and 2nd legume seed boxes, and nylon trailing cultipacker.



PSS84

Shown with optional seed boxes and cultipacker

The Precision Super Seeder gives you the flexibility to handle primary seeding, over-seeding, and applications such as native grasses and food plots. It's the most versatile seed box combination on the market.

- Three seed box options — cool season, warm season, and legume — let you plant anything from rye and oats to prairie grasses, wild flowers, radishes and soybeans.
- Efficient, one-pass planting of up to two seed types at one depth and legume seeds at a different depth — with models equipped with three seed boxes.
- All seed boxes can be engaged and disengaged independently with a single lynch pin — no tools required.

TRACTOR HP RANGE: 25 - 125 HP

- PSS48** | 49-inch
- PSS60** | 60-inch
- PSS72** | 72-inch
- PSS84** | 84-inch

- Three-point hitch: CAT 1 & CAT 2
- Working widths from 48–84 inches

MODEL	PSS48	PSS60	PSS72	PSS84
Tractor Engine (HP)	25-45	30-65	35-85	40-125
Tractor Hitch	CAT 1 & CAT 2			CAT 2
Working Width (in)	49	60	72	84
Weight – Standard Configuration ¹ (lbs)	779	861	1,132	1,249
Weight – Hunting Edition Configuration ² (lbs)	1,044	1,222	1,565	1,761
Drive Type	Ground			
Number of Seed Boxes Available	3			
Seed Metering	Fluted and picker wheel			
Seed Cups (7" spacing)	7	8	10	12
Cool Season Seed Box Capacity (bushel)	4.00	5.00	6.00	7.00
Native Warm Season Seed Box Capacity (bushel)	5.00	6.25	7.50	8.75
Legume Seed Box Capacity (bushel)	1.00	1.25	1.50	1.75
Front Roller Spikes	(128) .5" x 1.75" carbide steel	(160) .5" x 1.75" carbide steel	(192) .5" x 1.75" carbide steel	(224) .5" x 1.75" carbide steel
ASABE Quick-hitch Ready	Yes			

¹ Standard configuration consists of frame with spiked drive roller, adjustable front spiked rollers and cool season seed box

² Hunting Edition configuration consists of frame with spiked, ground drive roller, adjustable front disc blades, cool season seed box, legume seed box and cast iron cultipacker

WHAT CAN WOODS SEEDERS PLANT?

HERE IS A PARTIAL LIST...

Cool Season Grass and Cereal Grains (large seeds)

Annual Ryegrass
Barley
Buckwheat
Buffalo Grass
Chufa
Corn (small rounds)
Fescue
Kentucky Bluegrass Blends
Kidney Beans
Lablab
Lima Beans
Oats
Orchardgrass
Peas
Perennial Ryegrass
Snow Peas
Sorghum
Soybeans
Sudan
Sugar Beets
Sunflower
Triticale
Wheat

Legume Box (small seeds)

Alfalfa
Bahai
Bermuda
Birdsfoot Trefoil
Black-eyed Susan
Brassica
Brown Top Millet
Carpet Grass
Centipede
Chicory
Clover
Fescue
Forbes
Green Sprangletop
Kale
Kentucky Bluegrass
Kleingrass
Plains Bristlegrass
Radish
Rape
Side Oats Grama
Sudan
Sugar Beets
Switchgrass
Timothy
Turnip
Zoysia

Native Warm Season Grass Box (fluffy, light-weight seeds)*

Big Bluestem
Brome
Canadian Wild Rye
Indian Grass
Little Bluestem
Sideoats Grama



*Precision Super Seeder only



PSS84



BH100
Shown with
optional
thumb

GROUNDBREAKER® BACKHOES



35 Years of Backhoe Innovation

We believe in heavily researching what customers think about the equipment they use and what they need – really need – before we ever start designing. And, given the depth and breadth of experience at Woods, we agree with Ron that a superior product is simply inevitable.

Industry experts agree. The Groundbreaker® BH100 backhoe won the 2020 ASABE award for outstanding innovation in engineering and technology.

BH100
Shown with
optional
thumb

Choose Your Color!

Available in black or painted to match most tractor brands



2
YEAR
LIMITED
WARRANTY

WOODS
EXCLUSIVE

2-year Limited Warranty
includes tractor.

Backhoes Made So Well the Warranty Covers Your Tractor

Woods stands behind its backhoes, loaders and mounts with a 2-year limited warranty that includes the tractor. If your tractor manufacturer threatens to void its warranty as a result of installing one of our attachments, we'll cover the warranty if our product damages or compromises your tractor's frame integrity. We're that confident.

Compare our backhoe warranty to others and you'll find that Woods stands behind its attachments like no one else.

Operator's Station

Comfortably work with the adjustable seat and roomy, non-slip, walk-through platform.

Innovation

Woods was the first to offer a curved boom on a residential backhoe for greater visibility and control.

Swing Cushioning

Swing cushioning provides smooth, superior control – even at the ends of the swing arc.

WOODS
EXCLUSIVE

3-point Saf-T-Lok® Hitch

No tools needed to attach or detach. (sub-frame shown)

BH100

Shown with optional thumb.
See page 59 for full specs.

Unmatched Performance

Combine an excavator style curved boom (first offered by Woods on a compact tractor model) with other Woods innovations like a unique easy-on/easy-off mounting system, serrated edges, and construction-grade buckets, and you've got the best built backhoe in the industry.

Groundbreaker® backhoes are powerful diggers that are simple to service, require no tools to attach and detach, and offer greater bucket capacity than any other bucket in its class.

Durable Construction

Woods' reputation for premium quality products extends to our line of backhoes. Welded to American Welding Society standards and tested in rigorous real-life conditions, our backhoes are built to handle your most challenging jobs.

- Heavy-duty cylinders endure greater force and last longer.
- Easy to service hoses and pins make maintenance a breeze.
- Greasable end pins are simple to maintain and extend the work life.



Extra-Long Reach

The extra-long reach saves time repositioning your tractor.

High Capacity Bucket

Durable, high capacity bucket digs more in less time.

Grip and Rip

Saw-tooth edges on the thumb, dipper and bucket allow you to grip and rip material.

Hydraulic Thumb

The powerful optional hydraulic thumb adds versatility to your backhoe.

High 4,600 lb. Digging Force

Power to dig through hard-packed, rocky and root-filled ground.

BH65

Shown with optional thumb



The latest Woods Groundbreaker® backhoes are rugged and affordable—ideal for trenching, excavating, and landscaping.

TRACTOR PTO HP RANGE: 15 - 40 HP**BH65** | 6.5-foot**BH75** | 7.5-foot

- Curved boom offers better visibility and reaches over obstacles with little repositioning.
- Bolt-on bucket teeth are durable and easy to replace.
- Greasable end pins are simple to maintain and extend work life.
- High ramp angle and ground clearance make transporting easy.
- Sub-frame or 3-point hitch mounts are compatible with most loaders and undermount mowers.
- Optional mechanical thumb available.



MODEL	BH65	BH75
Tractor PTO (HP)	15 - 30	20 - 40
Digging Depth - 2' Flat Bottom (in ft)	78 6.5	90 7.5
Digging Depth - 8' Flat Bottom (in)	52	70
Reach from Swing Pivot (in)	102	119
Loading Height (in)	60	73
Loading Reach (in)	33.5	46
Transport Height (in)	66.5	74
Transport Length (in)	42	45
Approx. Weight - frame only (lbs)	695	842
Swing Arc (degrees)	150	180
Bucket Rotation (degrees)	180	
Stabilizer Spread - Up (transporting) (in)	52	
Stabilizer Spread - Down (operating) (in)	83	
Relief Pressure (psi)	2,030	2,465
Bucket Digging Force (lbs)	2,800	3,380
Dipperstick Digging Force (lbs)	1,590	2,230
Trenching Bucket Widths (in)	9, 12, 16	9, 12, 16, 18, 24
Thumb	Optional mechanical	
Flip-Over Stabilizer Pads	Standard	
Stabilizer Street Pads	Optional	
PTO Pump Kit	N.A.	Optional
2-Cylinder Swing	-	Yes
Warranty	2-year limited warranty includes your tractor	

Don't just dig...

pull, pick up and move heavy objects with the optional thumb that adjusts easily with a single pin.





BH100

Shown with optional thumb

Woods' BH85 and BH100 Groundbreaker® backhoes are the culmination of 35 years of experience designing compact backhoes, including the first curved boom on a compact tractor model. Add that to months of research uncovering what customers really want and the result is a superior product. **It's inevitable.**

Designed after months of research with backhoe operators to ensure a rugged, versatile, powerful and comfortable backhoe.

- Maximum digging depths of 8.5 feet and 10 feet.
- Heavy-duty, high capacity bucket widths from 12 to 36 inches.
- Extra-long reach and digging depths saves time repositioning.
- 4,600 lb digging force powers through hard, rocky, root-fill ground.
- Saw-tooth edges on thumb, dipper and bucket can grip and rip.
- Sub-frame or 3-point hitch mounts are compatible with most loaders and undermount mowers.
- Work comfortably for hours with the adjustable seat and the roomy, walk-through, non-slip operator's platform.
- Steps on the mounts and grab rails on the valve console make it easy to climb up and get to work.
- Bolt-on bucket teeth are durable and easy to replace.
- Greasable end pins are simple to maintain and extend work life.
- High ramp angle and ground clearance make transporting easy.
- Optional mechanical or hydraulic thumb add versatility.
- Two-year limited warranty, includes your tractor.



Woods BH100 backhoe received the 2020 ASABE award for outstanding innovation in engineering and technology.

BH100
Shown with optional thumb

TRACTOR PTO HP RANGE: 30 - 100 HP

BH85 | 8.5-foot

BH100 | 10-foot

BH85/BH100 are ideal for:

- Tractors up to 100 hp.
- Construction and demolition.
- Trenching, drainage and excavation work.
- Removing trees, stumps and shrubs.
- Precisely pick-and-place rocks, concrete chunks, logs and landscape timbers.
- Digging efficiently in a wide variety of soil conditions.
- Repositioning odd-shaped, over-sized materials.

MODEL	BH85	BH100
Tractor PTO (HP)	30 - 100	40 - 100
Digging Depth - 2' Flat Bottom (in ft)	102 8.5	120 10
Digging Depth - 8' Flat Bottom (in)	82	102
Reach from Swing Pivot (in)	141	161
Loading Height (in)	83	100
Loading Reach (in)	61	70
Transport Height (in)	94	104
Transport Length (in)	55	55
Approx. Weight - frame only (lbs)	1,275	1,320
Swing Arc (degrees)	180	
Bucket Rotation (degrees)	180	
Stabilizer Spread - Up (transporting) (in)	71	
Stabilizer Spread - Down (operating) (in)	102	
Relief Pressure (psi)	2,465	
Bucket Digging Force (lbs)	4,600	
Dipperstick Digging Force (lbs)	2,940	2,720
Trenching Bucket Widths (in)	12, 15, 18, 24	
Thumb	Optional mechanical or hydraulic	
Flip-Over Stabilizer Pads	Standard	
Stabilizer Street Pads	Optional	
PTO Pump Kit	Optional	
Cemetery / Bellhole Bucket	36	
Ditching Bucket	36	
2-Cylinder Swing	Yes	
Warranty	2-year limited warranty includes your tractor	



RTR72.40

TILLAGE EQUIPMENT



RTR72.40

When you're ready to dig in and work the soil, turn to Woods.

Since 1946, Woods has been making equipment that helps you get your job done right. Because having the right tool for the job makes work seem... well, less like work.

For everyone who loves to work in the dirt, we offer versatile, easy to use disc harrows and rotary tillers in a range of sizes and abilities to fit your job.

Woods' line of rotary tillers couples the best design features with outstanding performance for the discerning user. Our tillers will handle your landscaping and gardening projects with ease.

What's your soil type? Are you cutting into an established lawn or simply turning over the ground after harvest? Woods tillage equipment has innovative design features that make them easy to use, durable and highly productive. In fact, the double-flange blade support design and efficient, low-maintenance gear drive are just two innovations that earned our 30- and 40-series rotary tillers the 2017 ASABE Award for outstanding innovations in product and systems technology.



Strong Blade Support

Woods' innovative double flange design strengthens blade support and simplifies maintenance.

Gear-driven Side Drive

Robust gear-driven side drive provides years of reliable service and requires far less maintenance than chain-driven units.



High-strength Steel

Heat-treated, C-shaped tines penetrate deep, even in thick residue and loose, compacted or rocky soil.

3-year Gearbox Warranty

Woods 3-year input gearbox warranty includes seals.

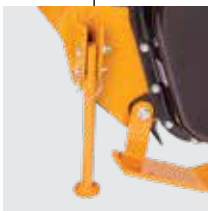


Fixed Offset

Fixed offset tiller width covers tire tracks with each pass.

Finished Seedbed

Tapered tailgate removes furrow for a finished seedbed.



Easy Hook-up

Sturdy tubular integrated parking stand ensures easy storage and hook-up.

Easy Depth Control

Adjustable skid shoes provide easy depth control.

Woods offers tillers in forward rotation in 41" to 74" widths and reverse rotation in 47" to 74" widths.

When you're ready to dig in and work the soil, turn to Woods. We bring a well-earned reputation for durability, reliability and innovation to our line of tillage equipment. Woods rotary tillers and disc harrows are designed for a wide range of projects on homes, small farms, orchards or nurseries, and for anyone living the country life. Choose from a large selection of widths, depending upon your tasks.



Forward rotation tillers

are ideal for moist, wet, rocky, sandy or loose soil conditions.

Reverse rotation tillers

work best in non-rocky soil conditions. They deliver a smoother top layer of soil by allowing ground cover to travel over the rotor top first, then incorporating it back into the ground beneath a fresh new layer of dirt. More often than not, users can achieve an exceptional seed bed with fewer passes when using a reverse rotation tiller.





30- & 40-series Rotary Tillers

TRACTOR PTO HP RANGE: 12 - 50 HP

RT42.30 | 41-inch

RT48.30/RTR48.30 | 47-inch

RT60.40/RTR60.40 | 59-inch

RT72.40/RTR72.40 | 71-inch

- Patented double-flange blade support
- Gear-driven side drive – less maintenance than chain-driven units
- 3-year warranty on input gearbox (includes seals)
- Rugged, heat-treated C-shaped tines for deep penetration in the toughest soils
- Tapered tailgate removes furrow for a finished seedbed
- Sturdy tubular integrated parking stand for easy storage and setup

MODEL	RT42.30	RT48.30/ RTR48.30	RT60.40/ RTR60.40	RT72.40/ RTR72.40
Tractor PTO (HP)	12 - 30	15 - 35	18 - 40	20 - 50
Tractor Hitch	Limited CAT 1 & CAT 1		CAT 1	
Working Width (in)	41	47	59	71
Overall Width (in)	51	57	69	81
Weight (lbs)	478	502 / 508	570 / 578	621 / 630
Maximum Tilling Depth (in)	7			
Drive Type	Gearbox			
Number of Tines / Number of Flanges	20 / 5	24 / 6	28 / 7	36 / 9
Number of Tines per Flange	4 C-type			
Rotor Speed (rpm)	210			
Tractor PTO Speed (rpm)	540			
PTO Driveline Protection	Slip clutch			
Gearbox Housing	Heavy-duty cast iron			
Gearbox Drain Plug	Yes			
Convertible Side Shift (right)	n/a			
Quick-hitch Ready	Yes			



There's nothing like the smell of fresh-turned dirt, especially when you're doing what you love... working the land.

Whether you're breaking new ground for a garden, or tilling an existing nursery, food plot, vineyard or farm, Woods has the right – the best – disc harrow for your land. You will get years of productive, reliable, dirt-turning work.

Built with high-strength U.S. steel, these rugged disc harrows carry Woods' reputation for durability and reliability. Plus, these discs are easy to use due to innovative design features like individually adjustable disc gangs that reposition with a single pin.



DHS64
Shown with optional mud scrapers

Tapered Frame

Tapered frame design balances individual disc gangs for easy adjustments



DHM80
Shown with optional drawbar, furrow fillers and mud scrapers

TRACTOR HP RANGE: UP TO 85 HP

- DHS48** | 48-inch
- DHS64** | 64-inch
- DHS80** | 80-inch
- DHM80** | 80-inch
- DHM96** | 96-inch

- Furrow fillers to reduce end ridges*
- Rear drawbar for towing equipment
- Mud scrapers that prevent clogging, increase productivity
- Mud scrapers that prevent clogging, increase productivity
- Furrow fillers (DHS64, DHS80)

* Does not apply to DHS48.



MODEL	DHS48	DHS64	DHS80	DHM80	DHM96
Tractor Engine (HP)	up to 35	25-45	35-55	45-75	55-85
Tractor Hitch	CAT 1, Ltd. CAT 1, CAT 0 optional	CAT 1		CAT 1 & CAT 2	
Width (in)	48	64	80	80	96
Average Weight (lbs) - depending upon blade type	390	508	590	845	960
Disc Blade Type	Notched	Notched; or combination smooth and notched			
Average Weight Distribution per Blade (lbs)	33	36	33	47	44
Disc Diameter (in) / Quantity	16 / 12	18 / 14	18 / 18	20 / 18	20 / 22
Disc Spacing (in)	7.5 front and rear	9 front, 7.5 rear			
Gang Axle Size (in)	1 square			1 1/8 square	
Frame Construction (in)	3 x 3 tube and angle		3 x 3 tube and channel		3 x 3 tube
Quick-hitch Ready	Yes				



DIRT WORKING

Whether your landscape projects are contained in your own backyard or the way you make your living, you want equipment that's easy to use, easy to maintain, and built to last. That's what Woods delivers.

We build a full line of tools to tackle a variety of projects, such as putting in a new garden, reshaping a driveway, or cleaning up. We'll help you get the most out of the investment you've made in your tractor. And, at the end of the day, we'll help you feel good about all the chores you checked off your list.

Pull it all together and you've got Woods Power — power to be more productive.

Box Scrapers: Designed with exceptional strength and versatility to move large amounts of material.

Grading Scrapers: Ideal for leveling dirt and gravel in driveways, lawns and fields.

Rear Blades: Move dirt, grade driveways, and clear snow.

Landscape Rakes: Great for clean-up jobs and fine raking.

Post Hole Diggers: Power through a variety of soil conditions and projects, like planting trees and shrubs or installing deck or fence posts.

Quick Hitch

Woods TQH1 quick hitch makes easy work of changing from one 3-point attachment to another. When hooking up to many implements, you never have to leave the tractor because lower hooks automatically lock implement into place.

- Heavy-duty steel construction with adjustable top link bracket
- Seven-eighths-inch mounting pins and adapter bushings
- Lower arms lock automatically
- Ensure fast, easy and safe hook-ups with ASABE quick-hitch readiness



TQH1



	TQH1	TQH2
Tractor Hitch	CAT 1	CAT 2
Width (in)	27.25	27.25
Approximate Weight (lbs)	75	75
Mounting Pin Diameter (in)	.875	.875
Adapter Bushing Diameter (in)	1.125	1.125

Tackle the toughest spreading and grading jobs with Woods® box scrapers. From the reinforced steel A-frame to the tough, reversible cutting edge and replaceable scarifiers, our box scrapers deliver exceptional durability and versatility.

- Easily carve into sod and dirt with full-length, high-strength, double beveled cutting edges.
- Widths from 48 to 96 inches to match a variety of jobs.
- Tackle the most rugged jobs with high-strength moldboards.
- Ensure fast, easy and safe hook-ups with ASABE quick-hitch readiness.

**TRACTOR HP RANGE:
UP TO 45 HP**

- GBC48** | 48-inch
- BSS54** | 54-inch
- BSS60** | 60-inch
- BSS65** | 65-inch
- BSS72** | 72-inch

- Hardened scarifier teeth with replaceable tips
- High-carbon reversible/replaceable cutting edges leaves a level finish



GBC48 / BSS54 / BSS60 / BSS65 / BSS72



BSS72

**TRACTOR HP RANGE:
40 - 65 HP**

- BSM72** | 72-inch
- BSM84** | 84-inch

- Offers optional floating, hinged tailgate to provide maximum down force on cutting edge
- End plates: .5-inch – 33% heavier end plates than our BSS models
- One-quarter-inch plate welded inside of end plates to increase life

MODEL	GBC48	BSS54	BSS60	BSS65	BSS72	BSM72	BSM84
Tractor Engine (HP)	Up to 25	Up to 45				40-65	
Tractor Hitch	Ltd CAT 1 & CAT 1	CAT 1				CAT 1 & CAT 2	
Working Width (in)	48	54	60	65	72	72	84
Capacity (cubic feet)	9	9.7	10.8	11.7	13.0	13.0	15.1
Approximate Weight (lbs)	285	486	514	528	551	680	750
Scarifier Depth (in)	0-1.5	0, 1.5 or 3 adjustable					
Number of Scarifiers	4	4	5	5	6	6	7
Tailgate Type	Fixed					Fixed, floating optional	
Cutting Edges	2						



WOODSBSS72
WOODS

Woods grading scrapers are ideal for leveling, whether you're filling potholes in gravel driveways or removing a soil berm after installing field tile.

- Heavy-duty mast plate creates more down force for smoother surface and virtually eliminates washboard effect.
- Adjustable skid shoes and scarifiers increase performance.
- Tall side frames hold more material for leveling.
- Approachable leading edges and structural reinforcements keep scraper stronger for longer.
- Reversible/replaceable high-carbon cutting edges.

**TRACTOR HP RANGE:
15 - 45 HP**

GSS54P | 53-inch

GSS60P | 59-inch

GSS72P | 71-inch

- Three-point hitch: Limited CAT 1 and 1
- Fourteen- and sixteen-inch box heights



GSS72P



GSS54P

TRACTOR HP RANGE:

30 - 65 HP

GSM84P | 83-inch

GSM96P | 95-inch

- Three-point hitch: CAT 1 and 2
- Sixteen-inch box height — one of the tallest in the industry



GSM96P

MODEL	GSS54P	GSS60P	GSS72P	GSM84P	GSM96P
Tractor Engine (HP)	15-30	20-45		30-65	
Hitch Category	Limited CAT 1 & CAT 1	CAT 1		CAT 1 & CAT 2	
Working Width (in)	53	59	71	83	95
Overall Width (in)	58	64	76	88	100
Overall Length (in)	42				46
Box Height (in)	14				16
Weight with Scarifiers (lbs)	419	553	655	754	802
Number of Scarifiers	4		5	6	
Scarifier Adjustments	-4.0, -2.5, -1.0, +1.0	-2.5, -1.0, +0.5, +2.5			
Reversible Cutting Edge (in)			0.5 x 6		
Skid Shoe Adjustment	-0.75 to +0.75		-1.0 to +0.5		
Lower Hitch Design			Clevis		

**TRACTOR HP RANGE:
UP TO 45 HP**

RBS54 | 53-inch **RBS60P** | 59-inch
RBS60 | 59-inch **RBS72P** | 71-inch
RBS72 | 71-inch **RBS84P** | 83-inch

- Formed moldboard made from high-strength steel provides exceptional rigidity and pivots 360°.
- Reversible, bolt-on cutting edge adds to product life and enables easy replacement.
- Tilt and offset functions for advanced grading applications (premium models).
- Fast, easy, and safe hook-ups with ASABE quick-hitch readiness.
- Optional skid shoes for depth control, optional parking stand for easier attachment, and optional end plates (premium models) for moving more material.



RBS84P



RBS72

Ideal for grading dirt or gravel, cleaning up construction sites and moving snow.

MODEL	RBS54	RBS60	RBS72	RBS60P	RBS72P	RBS84P
Tractor Engine (HP)	Up to 30			20-45		
Tractor Hitch	Limited CAT 1 & CAT 1			CAT 1		
Working Width (in)	53	59	71	59	71	83
Moldboard Height (in)	12			15		
Moldboard Thickness (in)	0.182 (grade 80 steel)			0.250 (grade 80 steel)		
Weight (lbs)	134	142	156	268	288	308
Double-beveled, Reversible Cutting Edge Dimensions (in)	0.375 x 6			0.5 x 6		
Angle Adjustments (degrees)	5 positions up to 30					
Offset Adjustments (in)	-	-	-	Up to 12 left or right		
Tilt Adjustments (degrees)	-	-	-	Up to 15		
End Plates	-	-	-	Optional		
Skid Shoes	Optional					
Parking Stand	Optional					
ASABE Quick-hitch Ready	Yes					

RB72.50



TRACTOR HP RANGE: 30 - 65 HP

RB72.50 | 71-inch
RB84.50 | 83-inch
RB96.50 | 95-inch

- Seventeen-inch high, 1/4-inch thick moldboard.
- Double-beveled, reversible, and hardened cutting edge for long life.
- Fully manual offers angle, offset, and tilt adjustments.
- Optional end plates, skid shoes, and hydraulic angle kit (includes relief valve).
- Convenient parking stand is standard.

TRACTOR HP RANGE: 40 - 85 HP

RB84.60 | 83-inch
RB96.60 | 95-inch

- Seventeen and 1/2 inch high, 5/16-inch thick moldboard.
- Double-beveled, reversible, and hardened cutting edge for long life.
- Choose manual or hydraulic, featuring angle, offset, and tilt adjustments.
- Optional end plates, skid shoes, tailwheel, and selector valve.
- Convenient parking stand is standard.

TRACTOR HP RANGE: 50 - 150 HP

RB850 | 95-inch
RB1010 | 119-inch

- Three-point hitch: CAT 2 and 3.
- Available as fully hydraulic, fully manual or combination cylinder options.
- Fully hydraulic models allow precise blade and material control (angle, tilt, and offset).
- Tough, dozer-type full box construction.

MODEL	RB72.50	RB84.50	RB96.50	RB84.60	RB96.60	RB850	RB1010
Tractor Engine (HP)	30-65			40-85		50-100	80-150
Tractor Hitch	CAT 1 & CAT 2			CAT 1 & CAT 2		CAT 2	CAT 2 & CAT 3
Working Width (in)	71	83	95	83	95	95	119
Moldboard Height (in)	17			17.5		17	18
Moldboard Thickness (in)	0.25 (grade 80 steel)			0.313 (grade 80 steel)		0.313	0.25
Weight (lbs)	455	475	495	705	730	1,233	1,535
Double-beveled, Reversible Cutting Edge Dimensions (in)	0.5 x 6						
Angle Adjustments (degrees)	7 positions up to 45 (mech or hyd)			Up to 45 (mech or hyd)		9 forward up to 60; 5 reverse up to 30 (mech or hyd)	Up to 60 (hyd)
Offset Adjustments (in)	6, 12, 18 left or right			Up to 20 (mech or hyd)		Up to 24 (mech or hyd)	Up to 33 (mech or hyd)
Tilt Adjustments (degrees)	5 positions up to 23			Up to 23 (mech or hyd)		Up to 30 (mech or hyd)	Up to 28 (mech or hyd)
End Plates				Optional			—
Skid Shoes				Optional			—
Tailwheel	—			Optional			
Parking Stand				Standard			
ASABE Quick-hitch Ready				Yes			



LRS72P

Woods landscape rakes are built with rugged durability for tough clean-up jobs, as well as fine raking features for light-duty lawn care and general maintenance.

TRACTOR HP RANGE: UP TO 45 HP

- LRS52 | 52-inch LRS72P | 72-inch
- LRS60 | 60-inch LRS84P | 84-inch
- LRS72 | 72-inch LRS96P | 96-inch

- Heavy pivot components increase product longevity.
- Large, structural tine beam channel holds alloy spring steel tines firmly.
- Fast, easy and safe hook-ups with ASABE quick-hitch readiness.
- Optional gauge wheels allow better depth control and optional parking stand for easier attachment.



MODEL	LRS52	LRS60	LRS72	LRS72P	LRS84P	LRS96P
Tractor Engine (HP)	Up to 30			20-45		
Tractor Hitch	Limited CAT 1 & CAT 1			CAT 1		
Working Width (in)	52	60	72	72	84	96
Approximate Weight (lbs)	156	168	186	264	288	311
Pivot Angle	5 positions between 0 and 30 degrees, both forward and reverse					
Tines Dimensions (in)	5/16 x 1					
Tines Spacing (in)	1					
Gauge Wheels	Optional					
ASABE Quick-hitch Ready	Yes					
Parking Stand	Optional					

Ideal for landscapers, farmers, and municipalities planting trees and shrubs or installing decks and fencing in all soil types and conditions.



Three sizes in three duty classes

PD35.30

**TRACTOR PTO HP RANGE:
14 - 95 HP**

- PD25.20**
- PD35.30**
- PD95.50**

- Heavy-duty welded construction and shear pin increase product longevity.
- Rugged gearbox with tapered roller bearings withstands shock load to handle the toughest projects.
- Wide range of auger bits ensures the best tool for any application.
- Positioning handle standard for easy operating.
- PTO driveline holder for easier setup.
- Six-year gearbox warranty.



MODEL	PD25.20	PD35.30	PD95.50
Tractor PTO (HP)	14-25	20-35	35-95
Tractor Hitch	CAT 0, Ltd CAT 1, & CAT 1	CAT 1	CAT 1 & CAT 2
Approximate Weight without auger (lbs)	177	178	245
Drive Type	Gearbox		
Tractor PTO Speed (rpm)	540		
Shear Pin	Standard		
Positioning Handle	Standard		
Parking Stand	Standard		
Auger (Diameter x Length) (in)	6, 9, 12 x 36	6, 9, 12 x 48	6, 9, 12, 18, 24 x 48
Auger Extension (in)	Optional (12)		

DW STUMP GRINDER



The Woods PTO-powered stump grinders are built to perform — reducing tree stumps to mulch in minutes and grinding below ground level.

TRACTOR PTO HP RANGE: 15 - 50 HP

TSG50 | 20-inch cutting wheel

- Grinds stumps 16 inches above and below.
- Twenty-four tough, carbide steel teeth cut bi-directionally for increased productivity.
- Hinged debris shield allows easier grinding below ground level.



MODEL	TSG50
Tractor PTO (HP)	15-50
Tractor Hitch	CAT 1 & CAT 2
Cutting Wheel Diameter (in)	20
Cutting Wheel Speed (rpm)	1,037
Cutter Tip Speed (fpm)	5,428
Hub Torque (lbs / ft)	76-250
Approximate Weight (lbs)	545
Max Stump Height (in)	16
Max Cutting Depth (in)	16



LRS72



FLAIL SHREDDERS

TRACTOR PTO HP RANGE: MINIMUM 90 - 240 HP

S15CD | Cutting width: 183 inches

S20CD | Cutting width: 247 inches

S25CD | Cutting width: 303 inches

S27CD | Cutting width: 327 inches

- High capacity gearbox with large oil volume reduces heat buildup, extending bearing and gear life.
- Specially designed oil seal protectors prevent vines from encasing and damaging gearbox oil seals.
- 12.75-inch diameter flail tubes with spiral mounted knives feature increased rigidity, resulting in smoother operation.



Tri-lateral Hood Allows Quadruple Shredding Action

The first cut occurs at the cutting level, the second at the front panel, the third at the top of the shredder, and the fourth cut occurs at the back of the shredder.

Standard L Knife

Heat-treated, 6mm reversible for long life

HD-Cotton L Knife

Heat-treated, Duraface®, 8mm reversible for longer life and durability in severe conditions

MODEL	S15CD	S20CD	S25CD	S27CD
Minimum Tractor PTO (HP)	90	120	150	162
Tractor PTO (rpm)	1,000			
Adjustable Cutting Height (in)	2-14			
Cutting Width (in)	183	247	303	327
Overall Width (in)	190	254	310	334
Approximate Weight (lbs)	4,248	5,038	5,838	6,138
Number of L Knives	168	232	288	312
Lift HP Required	90	120	150	165
Pull HP Required	90	120	150	165
Gearbox Rating (HP)	300			
Gearbox Warranty	6-year limited			
Driveline 2 Point & 3 Point	CAT 6			
Pull-type	CAT 6 CV			
Hood Type	Smooth, trilateral shape			
Hood Thickness (in)	.18			
End Plate Thickness (in)	.25			
Flail Tube Diameter (in)	12.75			
Flail Tube End Bearing (in)	2.18 (2-3/16)			
Shielding	Steel flaps			
Wheel Size (in)	9.5L x 15			
Knife Retention	Bolt-on (no D-rings)			
Knife Pattern	Spiral			
Knife Types	Double-edged L (6mm), double-edged HD-cotton Duraface® (8mm) L			
Wheel Arm Types	Rigid Strut available on S15CD, S20CD, S25CD, and S27CD. Caster available on S25CD and S27CD.			
Optional Friction Clutch	24,000 lbs inch rating			
Automatic Clutch	30,000 lbs inch rating (1.75" 20 PTO only)			
Optional Hitches	3-point (quick-hitch ready)			

SKID STEER ATTACHMENTS



The Right Attachment for the Job.

Chances are, you invested in a skid steer loader for its power, maneuverability, and versatility. Take your investment to the next level with Woods' branded attachments.

THE RIGHT ATTACHMENT FOR THE JOB.

Every Woods® attachment carries our reputation for rugged reliability, backed by decades of innovative engineering and quality manufacturing.

- Built with high-strength steel welded to American Welding Society (AWS) standards.
- Featuring our Quick Attach coupler system that complies with the universal skid steer attachment mount specification ISO 24410.

This section features our most popular attachments for farm and ranch applications. Our line of top-quality skid steer attachments includes:

Bale Spears

Pallet Forks



Weld-On Mounting Brackets

Adapt attachments to fit with Woods® Spee-D-Change™ and skid steer (SAE J2513) quick attaching systems

- Attachment back plate fits skid steers with quick attaching systems (SAE J2512)
- Attachment frame fits Woods models 110, 115, 195, 200/205/210, 215/255/260, 275, 305/310, 315/355/360 Spee-D-Change

Bale Spears

Single, double, and triple bale spears let you efficiently move and stack round and large square bales.

BS3044 | Single Spear

BS6044 | Double Spear

BS4032 | Triple Spear

All models are available for skid steer and tractor attachment systems:

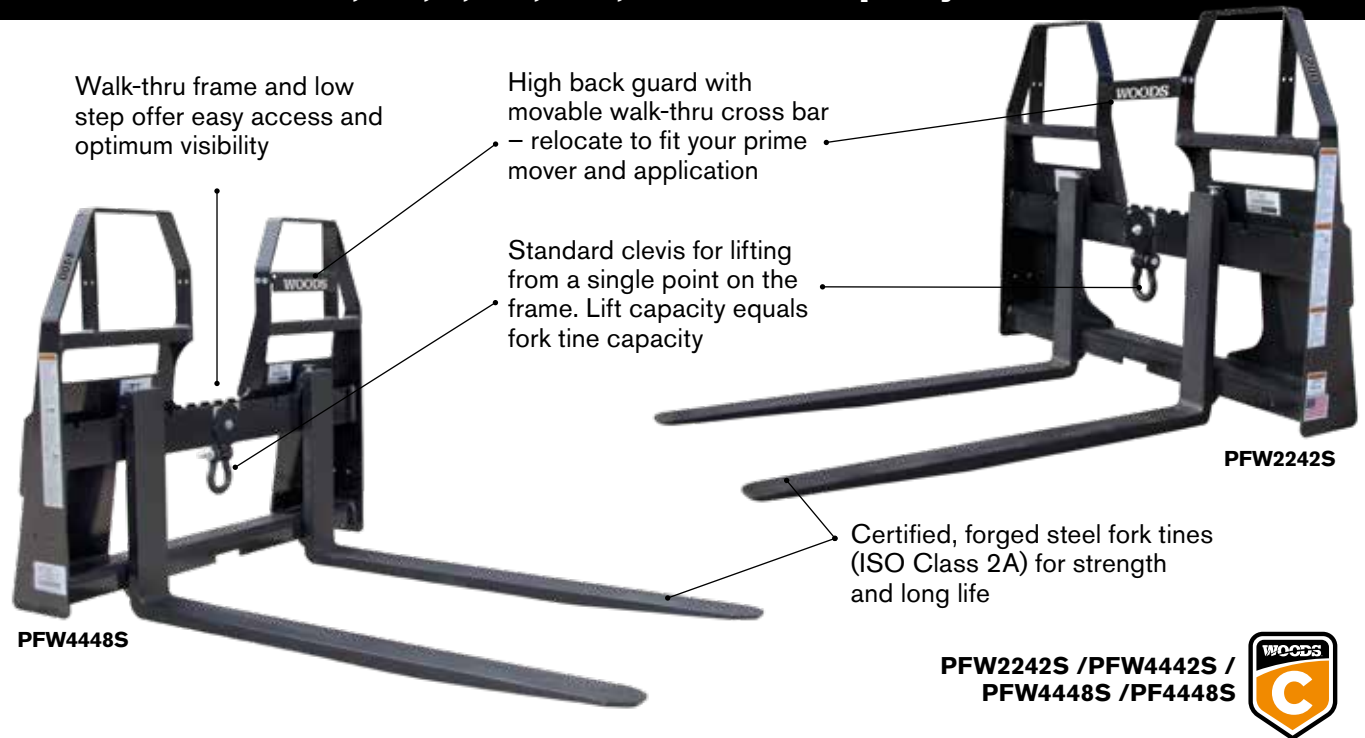
- Durable drop-forged spears and high-strength steel frame provide longer product life.
- High carry load ratings increase performance.
- Optional step kit enables easier access to skid steer cabs.
- Optional vertical backstops on the triple bale spear allow stacking while transporting.
- Skid steer, ISO, or John Deere® Quick Attach available.



BS3044

MODEL	BS3044	BS6044	BS4032
Number of Spears	1	2	3
Number of Stabilizer Spikes	2	n/a	
Usable Spear Length (in)	44		32
Spear Diameter (mm)	45		
Maximum Carry Load (lbs)	3,000	6,000	4,000
Spear Material	Drop-forged steel		
Frame Material	High-strength steel plate		
Frame Dimensions (in) (W x H)	45 x 21		57.5 x 21
Quick Attach Systems	BS3044 available in all 3 systems, BS6044 and BS4032 only in Euro and Skid Steer		
Step Kit	Optional		
Vertical Backstops	n/a		Standard

Woods' versatile, Pallet Forks are designed with a full-height frame and walk-thru capability. Ideal for lifting and moving material with your loader or skid steer. Choose from 2,200, 4,400, or 6,600 lb. fork capacity.



PFW2242S / PFW4442S / PFW4448S / PF4448S



MODEL	PFW2242S	PFW2242JD	PFW4442S
Frame Type	Walk-thru with full frame option		
Coupler System Compatibility	Skid steer	John Deere®	Skid steer
Operating Weight (lbs)	275	255	360
Fork Capacity at 19.7 in from Tine Face (lbs)	2,200	2,200	4,400
Fork Tine Dimensions (L x W x H) (in)	42 x 3.2 x 1.2		48 x 3.9 x 1.4
Fork Tine Spread Range (in)	12 - 45 outside to outside		
Fork Tine Type	Double hook lock down (ISO Class 2A)		
Clevis	Standard		

MODEL	PF4448S	PFW4448S	PFW4448JD	PFW4448E	PFW6648S	PFW6648E
Frame Type	Full frame	Walk-thru with full frame option				
Coupler System Compatibility	Skid steer	Skid steer	John Deere®	ISO 23206	Skid steer	ISO 23206
Product Weight (lbs)	390	380	380	370	470	455
Fork Capacity at 19.7 in from Tine Face (lbs)	4,400	4,400	4,400	4,400	6,600	6,600
Fork Tine Dimensions (L x W x H) (in)	48 x 3.9 x 1.4				48 x 3.9 x 1.8	
Fork Tine Spread Range (in)	12 - 45 outside to outside					
Fork Tine Type	Double hook lock down (ISO Class 2A)					
Clevis	Standard					

Robotically welded for consistent high quality. Compatible with Skid Steer (ISO 24410), John Deere®, and ISO 23206 Quick Attach Systems.

INNOVATION DOESN'T JUST HAPPEN. IT TAKES YOU.

Ben Faivre, Polo, Illinois
Farmer and Power Team member



The superior design, durability and style of our equipment doesn't just come from Woods® team members. It's inspired and driven by passionate conversations, opinions and ideas from people like you.

You work the land every day. And you probably come up with a better way to get things done.

Why not share those ideas?

Join our Power Team customer panel and you may see your ideas come to life on our next new product. We will ask for your input on product features, new product ideas, advertising and more. We'll connect with you through surveys, phone interviews, or focus groups, depending upon your preferences. You'll get advance notice on breaking news. We may even ask you to test a product before it goes to market.

Help us develop innovative products you will love to use.




Got ideas?

Join our Power Team customer panel at woodsequipment.com/contact/power-team, or scan the QR code to the right.

You have the power...





**AT WOODS, WE ARE INSPIRED BY THE
WORK YOU DO EVERY DAY TO DO RIGHT
BY THE LAND, AND YOUR BUSINESS.**

**THAT'S WHY WE CREATE PRODUCTS THAT
KEEP YOU MOVING FORWARD, DESPITE
THE ENDLESS CHALLENGES YOU FACE
WHEN WORKING ON THE FARM, RANCH,
OR IN THE FIELD.**

Because we believe it is essential to continuously listen, observe, and truly understand your world, we've never stopped improving our products to help you tackle the toughest jobs. Our relentless pursuit of excellence extends beyond engineering every product for ideal performance. We also back our innovative designs with intense scientific testing so there's no stone unturned, no room for errors. For more than 75 years, we've been proud to stand by our equipment so it stands up to the most important task – yours.

GET AFTER IT.

WOODS® | Woods Equipment Company
2606 South Illinois Route 2, Oregon, Illinois 61061 tel 800-319-6637 woodsequipment.com



Warning! Some images may show safety shields removed to provide a better view. Equipment should never be operated with any safety shield removed. Some machines in this brochure may be shown with optional equipment. Always operate machines in accordance with supplied operator's manuals. ©2022 Woods Equipment Company. All rights reserved. WOODS and Woods logo are trademarks of Woods Equipment Company. All other trademarks, trade names, or service marks not owned by Woods Equipment Company that appear in this brochure are the property of their respective companies or mark holders. Specifications subject to change without notice.

B011201 June 2022