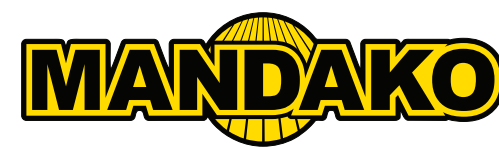
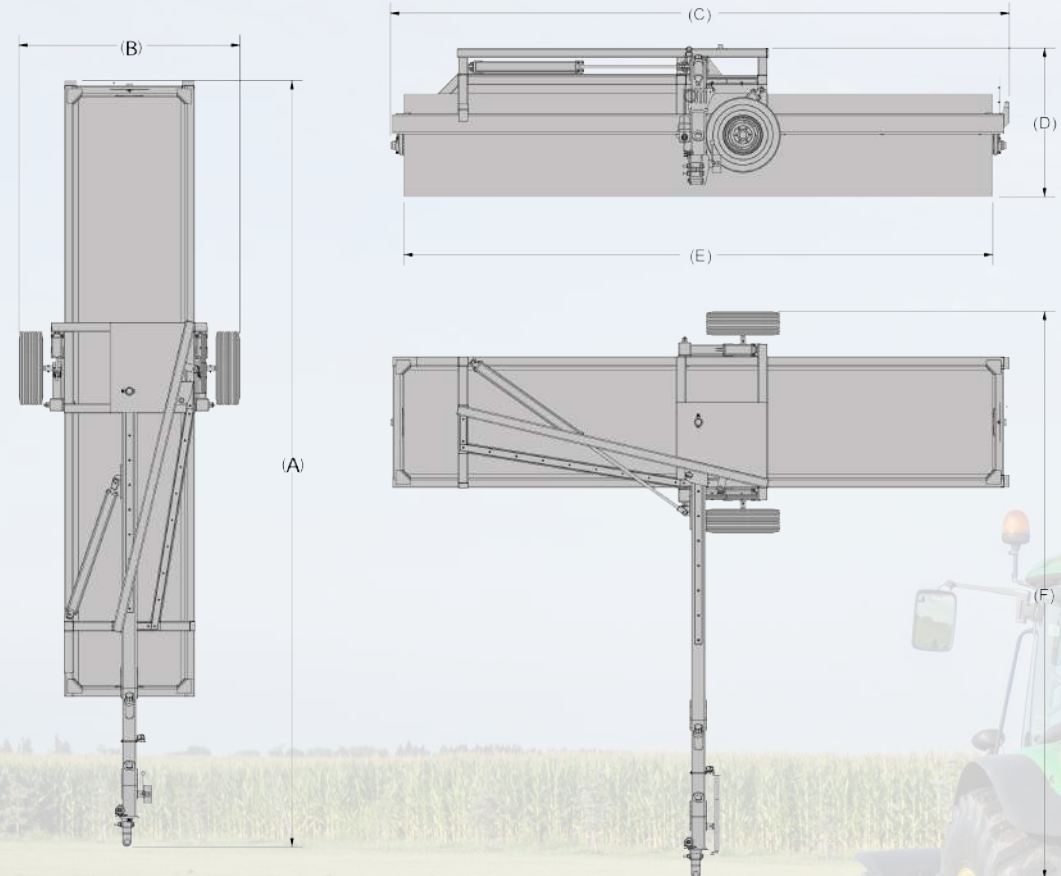




# INLINE LANDROLLER SPECIFICATIONS



# LANDROLLER INLINE



Unit Size	10'	13'	15'	20'
Transport Length (A)	15'3"	18'3"	22'8"	26'2"
Transport Width (B)	7'7"	7'7"	7'7"	7'7"
Overall Width (C)	11'1"	14'1"	16'7"	21'1"
Overall Height (D)	5'1"	5'1"	5'1"	5'1"
Working Width (E)	10'1"	13'1"	15'7"	20'1"
Working Length (F)	15'	15'	18'2"	19'4"
Weight (lbs/ft)*	675	650	600	525
Hyd. Red. (Ports)	2	2	2	2
Hyd. Red. (@2800 PSI)	5GPM (19LPM)	5GPM (19LPM)	5GPM (19LPM)	5GPM (19LPM)
Horsepower Red.	60+	60+	70+	80+
Tire Size	ST235/85R16E 14 Ply			
Drum Size	36" x 1/2" W   42" x 5/8" W   42" x 3/4" W			

\*Approximate Weight



Mandako Agri Marketing (2010) Ltd.  
 12159B Hwy 306  
 Box 379  
 Plum Coulee, MB R0G 1R0

(888) 525-5892  
 www.mandako.com



Printed in Canada

## COMMON APPLICATIONS FOR USING A LANDROLLER

- Increased Soil-to-Seed Contact for more consistent germination
- Reduce repairs on your equipment by simply pushing rocks into the ground
- Increase crop yields – studies show an increase of approximately 3 bu/acre when rolling soybeans in the V1/V2 stage
- Alfalfa Fields / Pasture Land / Horse Paddocks / Acreages – smooth out ruts and rocks and level mole hills
- Crush corn stalks for faster decomposition
- Rural Airports – help keep grass runways smooth

## SIZES AVAILABLE

10' | 13' | 15' | 20'

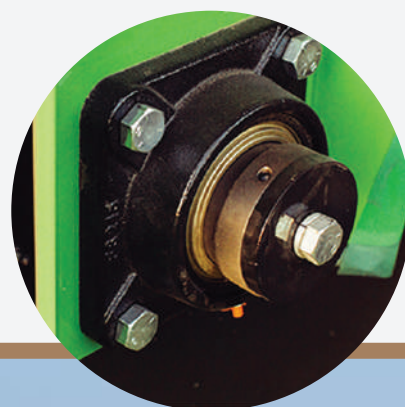
Clevis Hitch Insert



Mechanical Acre Counter



3" Drum Shaft/Bearing



Color Coded Hyd Handles



LED Light Kit



Transport Safety Lock



## Features

- 8" x 4" x 3/8" Frame Tubing
- 6" x 6" x 1/2" Hitch Tubing
- 3" Drum Shaft & HD Bearing
- 42" x 5/8" Diameter Drum (0.625")
- 14-Ply Tires (ST235/85R16E)
- LED Lights
- Ability to add water for increased weight
- Replaceable 2-1/2" Wheel Shaft w/ 8-Bolt Hub
- Hydra-Grip Handles
- Narrow Transport Width (under 8')

## Options

- Clevis Hitch Insert
- Mechanical Acre Counter
- 42" x 3/4" HD Drum Option
- 36" x 1/2" Roller Drum Option
- Mud Scraper Kit
- Available in Mandako Green or Black