

FENDT



FENDT® 900 VARIO MT SERIES | 380 to 431 HP

Meet the new track star.



Four hundred years ago, knowing precisely what time it was required a lot more effort than simply looking at your smartphone or digital watch. In Oberdorf, a German clock-making family named Fendt was obsessed with precision engineering. The unique clocks the Fendts designed and built were installed in church and city clock towers throughout the surrounding countryside. Precision, reliability, and enduring craftsmanship were the hallmarks of their creations.

Those traits are still very much in evidence today. Not with Fendt clocks in towers anymore, but with the best-engineered, highest-quality tractors in the industry. At the turn of the 20th century, the Fendt family transitioned from telling time to saving time for farmers by developing a self-propelled grass mower that progressed to small tractor designs. By the 1930s, direct Fendt descendants of those clockmakers produced the first six-HP Dieselross tractor. A week's worth of manual labor could be done in a single day.

We've improved our timing greatly over the years. Like now. The Fendt 900 Vario MT couldn't have come along at a better time. The Fendt 900 Vario MT boasts a number of innovations from Fendt to deliver a better return on investment and to help minimize downtime: our stepless VarioDrive transmission, cab suspension, CAN Bus technology, Mobil-trac™, and Fendt iD low-engine-speed concept, to name a few.

Power, precision, and profitability. It's a good time to own a Fendt.

FENDT 900 VARIO MT IN PROFILE



Ideal for: Medium- or high-speed tillage
Large planters and air seeders
Grain carts
Large manure tankers or drag-reel lines
Potato or beet lifters
Showing off to your neighbors

Quick Specs and Features

Min / max weight: 33,443 / 41,000 lbs. (15,169 / 18,600 kg.)

Engine: AGCO Power™ 9.8 L, 7 cylinder, Tier 4F

Constant engine power ECE R120 HP / kW: 380 / 279 – 431 / 317

Maximum speed: 25 MPH (40 KPH)

Hydraulic capacity: 58 GPM (std.) / 116 GPM (opt.)

Rear power lift capacity: up to 19,000 lbs. (8,618 kg.)

VarioDrive Continuously Variable Transmission (CVT)

Track sizes: 14"–34"

Big-time horsepower combined with performance, comfort, ease of use, and reliability make the Fendt 900 Vario MT outstanding in its field.

The Fendt 900 Vario MT provides a solid, consistent return on investment while simultaneously managing risk and minimizing downtime. The much-imitated (but never duplicated) Mobil-trac™ system helps improve yield potential by reducing compaction and improves tractive ability and ride quality thanks to track-to-chassis and cab suspension elements. The AGCO Power™ 9.8 L engine provides an RPM band of 650–1,800 RPMs, while the Fendt iD low-engine-speed concept reduces fuel consumption and provides for an exceptionally quiet and smooth ride. With up to 116 GPM of dedicated hydraulic capacity, you can be sure that no matter the application, you won't come up short on hydraulic output. Combined with an industry-leading warranty and customer care program, the Fendt 900 Vario MT delivers efficiency, productivity, fuel-savings, comfort, and profitability in a track tractor well suited to your needs.

What makes a Fendt, a Fendt?

Uncompromising excellence for a start. And intelligence. The Fendt 900 Vario MT has both from hood to hitch, and even beyond. The Fendt iD low-engine-speed concept maximizes engine torque at slow speeds, creating efficiencies throughout the driveline—like when pulling the heaviest implements through the toughest conditions more efficiently than ever. Higher performance, less engine noise, reduced fuel costs, and extended service life. That's productivity at its best. And the Fendt 900 Vario MT is even good-looking too. Smart choice.



The highly efficient seven-cylinder engine features a high-torque, low-engine-speed concept and delivers 1,400 lb./ft. of torque at 1,275 RPM—perfect for heavy draft work.

- The engine, transmission, fan, and hydraulics are precisely engineered to work at their highest capacity at these low engine speeds—delivering unsurpassed performance and efficiency, 365 days a year.



Convenient, comfortable, easy to use. A 10.4 in. touch screen terminal—paired with a customizable, multi-function joystick—puts everything you need to operate the Fendt 900 Vario MT literally at your fingertips.

A stepless VarioDrive CVT, with no range changes, allows for 65 ft./hr. to 25 MPH all in one range without any intervention by the operator, for easier operation.



A hydraulic system is fully dedicated to the implements it powers—the optional dual-pump, dual-circuit system, provides up to 116 GPM hydraulic oil capacity, designed to handle the most demanding implements of today, and tomorrow.

It's the best warranty in the business—three year/3,000-hour full-machine warranty, PLUS all scheduled maintenance and a loaner guarantee.



Our patented Mobil-Trac System (MTS) provides an operator with better traction, and with reduced compaction, thanks to its long footprint and pivoting midwheel design. Paired with our Smart Ride and cab suspension system, it provides exceptional ride quality down the road or through the field.

FENDT 900 VARIO MT ENGINE

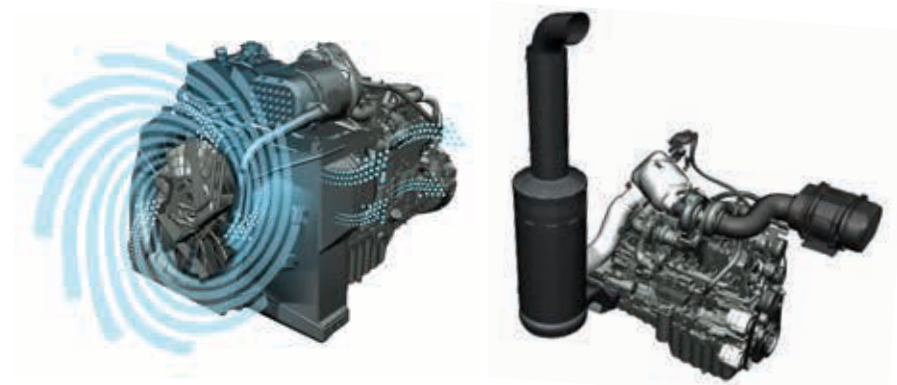
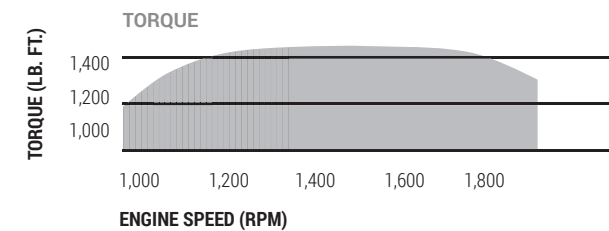
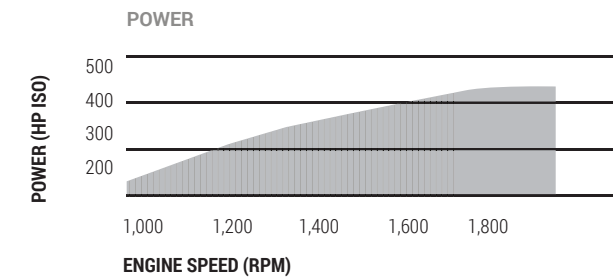
Torque away.

Pick a field condition. Any field condition. The AGCO Power™ engine is ready when you are. Productivity and performance come standard. And the Fendt 900 Vario MT engine has a superior torque curve with greater torque rise over a wider range of RPMs. In the field, that translates into:

- Unmatched lugging ability = No need to downshift or raise the implement when the going gets tough
- Operating at lower engine RPMs = Savings on fuel and extended engine life
- Tractor Management System (TMS) = Optimal coordination with the engine for peak performance and maximum efficiency

Designed specifically for ag applications, the AGCO Power engine delivers more horsepower and unmatched torque with greater efficiency—so you cover more ground with less fuel in less time.

Fendt's twin turbocharger system offers excellent engine response and high torque rise at all engine RPMs. There's no need to wait for turbo lag thanks to our eWastegate, which almost anticipates the boost needed.



Concentric Air System (CAS)

A new high-performance fan located in front of the cooler unit sucks in cold, dense air and accelerates it over the concentrically formed hood and presses it through the radiator.

- The CAS has its own hydrostatic drive, delivering ideal cooling power to each component, according to need, independent of engine speed.
- The optional reversing fan function blows air at the grille—preventing the accumulation of ground residue.

AGCO Power™

The highly efficient 7-cylinder engine was improved with a high-torque, low-engine-speed concept and delivers 1,400 lb./ft. of torque at 1,275 RPM — perfect for heavy draft work.

- The engine, transmission, fan and hydraulics are precisely engineered to work at their highest capacity at these low engine speeds—delivering unsurpassed performance and efficiency, 365 days a year.

BIG-TIME PERFORMANCE; LITTLE TIME WASTED.

VarioDrive

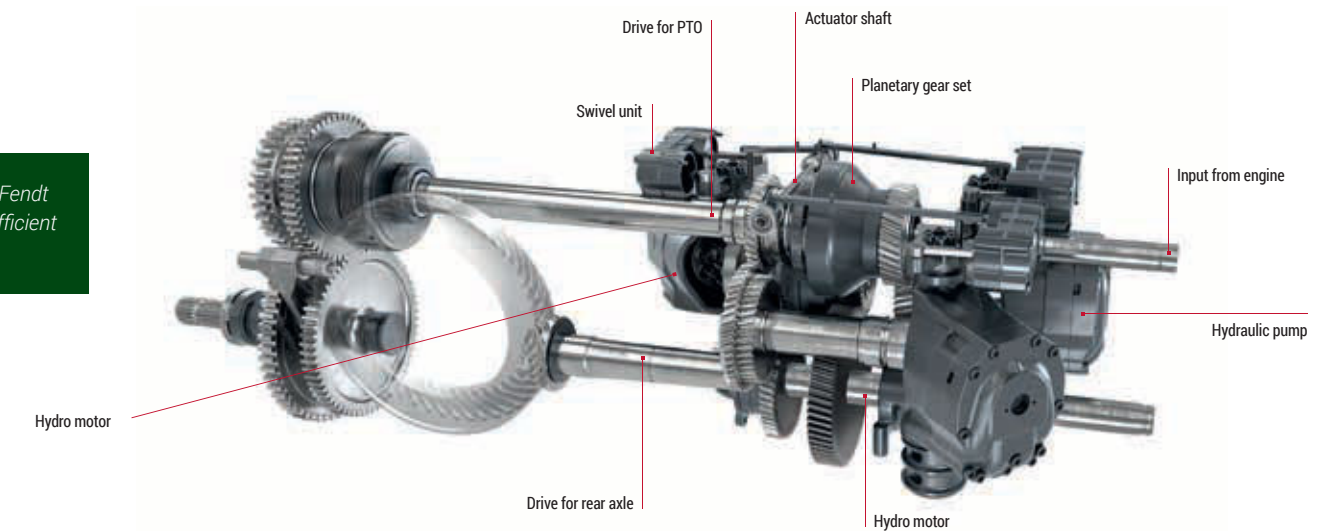
There's a new power player in the Fendt 900 Vario MT. A stepless VarioDrive CVT, with no range changes, optimizes engine power and maximizes fuel efficiency. The AGCO Power engine and stepless CVT automatically regulate and optimize engine load based on power requirements, so you get maximum power whether you're going 65 ft./hr. or 25 MPH. It's smooth, it puts power to the ground, and it even helps you get down the road faster than before.

The Tractor Management System is the kind of dynamic operating experience you can only get from Fendt.

The VarioDrive CVT provides optimal coordination with the engine for peak performance and productivity across multiple applications.

- During field operations, torque is directly transferred through the powertrain, resulting in tremendous pulling power.
- The continuously variable operation allows for 65 ft./hr. to 25 MPH all in one range without any intervention by the operator, for easier operation.

High-performance hydrostatic devices in the Fendt VarioDrive ensure smooth acceleration and efficient propulsion without gear or range changes.



DEFINITELY ON THE RIGHT TRACK. PATENTED. POWERFUL. PRODUCTIVE.

It'll come as no surprise to you that Fendt doesn't do what others do. Retrofit wheel tractors with tracks? Not gonna happen. The 900 Vario MT has been engineered from the ground up to be a track machine, correctly ballasted from the start for:

- More efficient transfer of power
- Maximum traction with minimum compaction
- A comfortable ride from sunup to sundown

Patented Oscillating Midwheels

- Maximum track-to-ground contact for improved traction
- Reduced compaction for better yields
- Ultra-high molecular weight wear ring provides greater longevity of the midwheel components and can handle high road speeds

Friction Drive System

- Large diameter rear drive wheel efficiently transfers the power
- Chevron design ejects debris and reduces slip

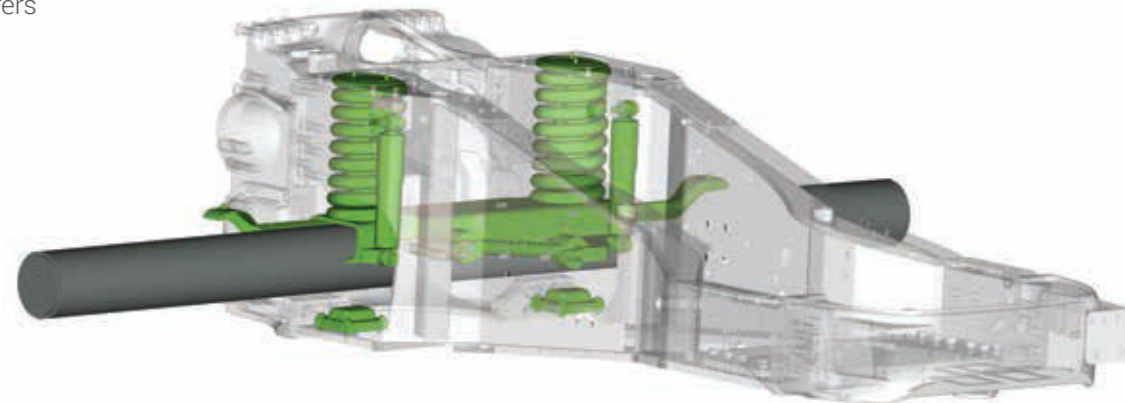
Tracks That Adapt

- Available gauge settings from 72" to 160"
- Eight track widths
- 900 Vario MT: 14"–34" track offerings

The Smart Ride™ Suspension

You shouldn't need to choose between being comfortable through the field or down the road. The Smart Ride suspension on the Fendt 900 Vario MT handles both. The advanced design of suspending the hardbar from the chassis of the tractor using dual coil springs and off-road-style heavy-duty shock absorbers allows for increased oscillation of the hardbar. Smooth and comfortable.

- The increased oscillation and vertical rise of the hardbar allows either of the idlers to travel 7 in. (177 mm) upward and 3 in. (76 mm) downward.
- The left and right track systems move up and down independently from the tractor chassis, allowing each side to smoothly travel over the field and minimize compaction.
- Plus, standard 10% larger midwheels with no lip to reduce debris buildup.
- Monoblock weight offerings for quick and easy ballasting.



Mobil-Trac System

The pivoting midwheel design provides better traction and improved ride quality, no matter the terrain.

PERFORMANCE ON DEMAND... EVERY TIME YOU NEED IT.

Name your implement. The Fendt 900 Vario MT can handle it, with a hydraulic system fully dedicated to the implements it powers—something the competition can't come close to matching. With multiple hydraulic options, you can be assured of efficient operation time after time. And the unique two-pump, load-sensing hydraulic system can control a delivery rate for operations that require high-capacity hydraulics. That kind of power and versatility allows you to do more jobs than ever.

- Two load-sensing pumps provide independent priority functions and supply each hydraulic function with just the right amount of oil pressure and volume through each individual circuit.

For example: A fan on a planter requires high flow rates with low oil pressure. Other functions, such as a down-pressure system, require low flow with high oil pressure.

- With the two-pump system, each pump delivers only the oil needed—at a reduced RPM to save fuel—and is more efficient.
- Since unused fluid isn't continuously being pumped, engine power isn't wasted. As a result, excess heat isn't created, and overall tractor efficiency improves.
- The dual-pump system can achieve 68 GPM at 1,000 RPM or 116 GPM at 1,700, so the optimal flow is available on demand.



High-Capacity Hitch

- 19,000 lbs. of lift capacity to handle the largest mounted implements.
- The active transport dampening system reduces vibration and movement of three-point mounted implements when traveling down the road.
- Standard Cat 4 fixed drawbar with 11,000 lbs. (4,989 kg.) of vertical load capacity.



CABIN COMFORT AND QUALITY.

- **VarioTerminal**—Clear, practical, 10.4 in. display with full-screen, half-screen, and split-screen modes, or a four-in-one view, with each section displaying a different function; fully integrates tractor and implement controls, camera function, guidance, and documentation.
- **Multi-Function Joystick**—Assign and control up to ten ISOBUS implement functions with the four-way, multi-function joystick. Includes additional operating buttons for customized hydraulic assignments, cruise control, engine-speed memory buttons, and activation of VariotronicTI headland management.
- **Fendt Guide**—Work with the utmost precision without having to actively steer, even when using wide implements or in poor reception; reduced product overlapping could save 3–10%.
- **Fendt TaskDoc®**—Quickly capture and wirelessly transfer data like seed quantity, fertilizer applied, or fuel consumption per acre for analysis and documentation.
 - Record GPS position data and transfer it in near real time, enabling mapping and automated, seamless exchanges with ISOXML-compatible field files.
- **Fendt Rate Control**—Call up, visualize on application maps and automatically execute variable-rate application of seeds, fertilizer, and pesticides, based on agronomic needs. Plan farm inputs in field files, precisely apply them every time, and save on operating inputs.
- **Fendt Section Control for ISOBUS Implements**—Fully automatic section control ensures seeds, fertilizer and pesticides are applied evenly and economically, preventing overlaps; switch up to thirty-six sections when operating ISOBUS-capable planters, drills, or sprayers.

KEEPING AN EYE ON IT ALL.

- **Fendt Connect™** is like a control tower for your fleet, seamlessly linking your office, your dealer, and your operators. Through one easy-to-use interface—on a smartphone, tablet or laptop—Fendt Connect provides signals that enable remote, real-time monitoring, decision-making, and even diagnostics.
- **Your Office**—See where your machines are, what they're doing, and how they're performing—in near real time or historically. From anywhere. This operational visualization enables everything from scheduling timely refueling to providing documentation for invoicing.
- **Your Dealer**—When enabled, your dealer can remotely access and monitor fault codes and performance parameters, anticipating or diagnosing problems, which can speed up service, minimize downtime, and reduce cost.
- **Your Operators**—Operators can focus on their task at hand, knowing both you and your dealer are practically right there with them in the cab.



Learn more or get started at
get.agcoconnect.com



**We have your back. And your front.
And everything in between.**

Nearly 400 years ago, the Fendt family not only built a reputation for fabricating precision clocks, they solidified that reputation by personally servicing and maintaining each one. Like our ancestors, we still believe a great warranty isn't a matter of profit, it's one of pride. The Fendt Gold Star maintenance service and warranty program is the best in the business. The Fendt family kept clocks ticking and we keep tractors, well, tracking. But uptime all the time is only part of the plan. We also provide the kind of after-sale care that rewards you with exceptional resale value when you eventually trade in your tractor for a newer model.

Gold Star+ (Optional)

For longer working periods, you can extend the standard Gold Star offering with Gold Star+. All the same benefits but for as long as five years or 5,000 hours.

THE WARRANTY

Three years or 3,000 hours, including all scheduled routine maintenance and all other repairs, as required.

THE PARTS

Fendt dealers use only genuine AGCO® parts, so your Fendt is always 100% Fendt. All parts are covered for one year, and all labor for six months, under the AGCO Parts Advantage warranty.

THE SERVICE

Fendt dealers and their certified technicians use only the highest-caliber diagnostic tools.

THE LOANER

If your tractor can't be repaired in 48 working hours, we'll provide you with a loaner tractor. We stand by this promise for three years or 3,000 hours.

Fendt 900 Vario MT Series Specifications

		938 Vario MT	940 Vario MT	943 Vario MT
Engine				
Model		AGCO Power™ 9.8 L Tier 4F 7-cylinder diesel engine		
Constant power ECE R 120 at 1,700 RPM (HP ISO)	PS (kW)	380 (279)	405 (298)	431 (317)
Displacement	in. ³ (L)	598 (9.8)		
Max torque	RPM	1,450		
Diesel tank capacity	gal. (L)	180 (681) In base, auxiliary tanks options 215 (814) or 257 (973)		
DEF capacity	gal. (L)	21 (79.5)		
Transmission & PTO				
Type / model		VarioDrive CVT / ML400T		
Speed range forward / reverse		65 ft./hr. to 25 MPH / (20 m/hr. to 40 km/hr.), 0.01 to 8.7 MPH / (0.02 to 14 km/hr.)		
Max speed @ ERPM	MPH (KPH)	25 (40) at 1,550 ERPM		
GAUGE OPTIONS				
Type		Infinitely adjustable bar axle with smooth hardbar		
Standard / wide	in. (mm)	72-88 (1,829-2,235) / 72-120 (1,829-3,048)		
Mobil-trac™ System (MTS) Undercarriage				
Hardbar suspension		Coiled springs (2)		
Hardbar oscillation		±11 Degrees		
Undercarriage suspension		Tri-bogie suspension		
Hydraulics				
Type		Electrohydraulic powerlift control (EPC) with shock-load stabilizing and standard load compensation		
Hydraulic pump capacity @ 1,700 RPM	GPM (LPM)	1 pump: 58 / 220 2 pumps: 116 / 439 (58 / 220 + 58 / 220)		
Hydraulic control valves		4 (Std.), 6 (Opt.)		
Track Options				
General ag tracks	in. (mm)	16, 18, 20, 25, 30, 34 / (405, 455, 508, 635, 762, 864)		
Extreme ag tracks	in. (mm)	25, 30, 34 / (635, 762, 864)		
Extreme application tracks	in. (mm)	14, 16, 18, 20, 25, 30 / (405, 455, 508, 635, 762)		
3-Point Hitch / Drawbar				
ASAE hitch category		Category 3/4N		
ASAE hitch category	lbs. (kg.)	19,000 (8,618)		
Weights & Dimensions				
Unladen weight (does not include any ballast weights)	lbs. (kg.)	33,443 (15,169) standard gauge / 33,667 (15,271) wide gauge		
Max ballast overall weight	lbs. (kg.)	41,000 (18,600)		

*Specifications are manufacturer's estimates at time of publication and are subject to change without prior notification.

FENDT 900 VARIO MT SERIES

FENDT 900 VARIO MT SERIES

FENDT

fendt.com | Fendt is a worldwide brand of AGCO.



FENDT 900 VARIO MT SERIES