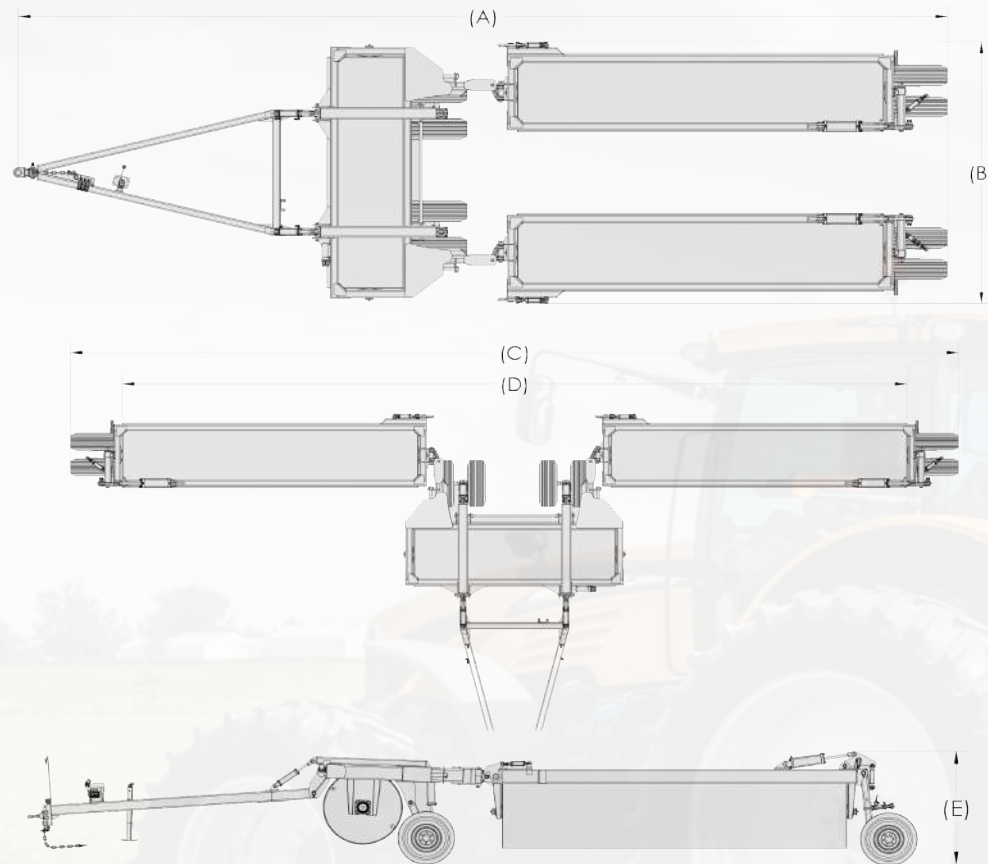




# 3-PLEX LANDROLLER SPECIFICATIONS



# LANDROLLER 3-PLEX



Unit Size	30'	34'	40'	42'	45'	50'
Transport Length (A)	34'	36'	39'	40'	41'6"	44'
Transport Width (B)	11'7"	11'7"	11'7"	11'7"	11'7"	11'7"
Overall Width (C)	33'6"	37'6"	43'6"	45'6"	48'6"	53'6"
Working Width (D)	30'	34'	40'	42'	45'	50'
Overall Height(E)	5'5"	5'5"	5'5"	5'5"	5'5"	5'5"
Weight (lbs/ft)*	530	507	495	488	469	465
Hyd. Red. (Ports)	3	3	3	3	3	3
Hyd. Red. (@2800 PSI)	5GPM (19LPM)					
Horsepower Red.	120+	136+	160+	168+	180+	200+
Tire Size	ST235/80R16E 10 Ply					
Drum Size	36" x 1/2" W   42" x 5/8" W   42" x 3/4" W					

\*Approximate Weight



Mandako Agri Marketing (2010) Ltd.  
12159B Hwy 306  
Box 379  
Plum Coulee, MB R0G 1R0

(888) 525-5892  
www.mandako.com



Printed in Canada

## COMMON APPLICATIONS FOR USING A LANDROLLER

- Increased Soil-to-Seed Contact for more consistent germination
- Reduce repairs on your equipment by simply pushing rocks into the ground
- Increase crop yields – studies show an increase of approximately 3 bu/acre when rolling soybeans in the V1/V2 stage
- Alfalfa Fields / Pasture Land / Horse Paddocks / Acreages – smooth out ruts and rocks and level mole hills
- Crush corn stalks for faster decomposition
- Rural Airports – help keep grass runways smooth

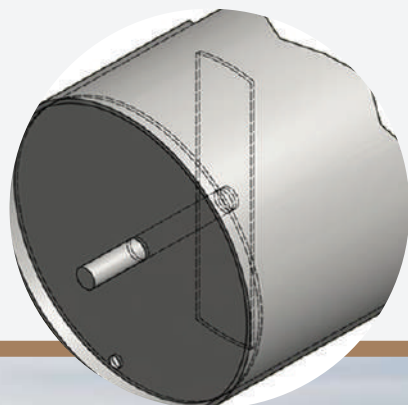
## SIZES AVAILABLE

30' | 34' | 40' | 42' | 45' | 50' | 60'

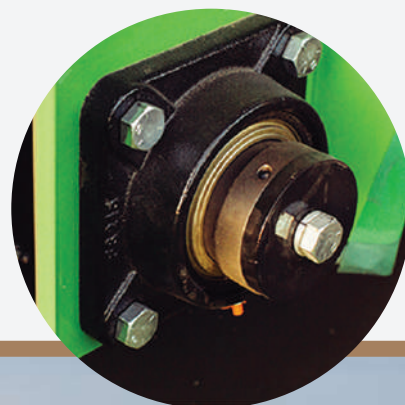
Clevis Hitch Insert  
(Optional)



3" Shaft Extends Inside  
Drum With Support Plate



3" Drum Shaft/Bearing



Color Coded Hyd Handles



LED Light Kit



Hydraulic Floating Hitch

## Features

- 8" x 4" x 3/8" Frame Tubing
- 6" x 6" x 1/2" Hitch Tubing
- 3" Drum Shaft & HD Bearing
- 42" x 5/8" Diameter Drum (0.625")
- 14-Ply Tires (ST235/85R16E)
- LED Lights
- Ability to add water for increased weight
- Replaceable 2-1/2" Wheel Shaft w/ 8-Bolt Hub
- Hydra-Grip Handles
- Narrow Transport Width (under 8')
- Dual Hydraulic Rear Wheel Steer
- Hydraulic Floating Hitch
- Easy Hookup With Colour Coded Hydraulic Handles
- Category 3 Pintle Hitch
- Hydraulic Wing Lock

## Options

- 280/70/R15 Implement Tire (10-Ply)
- Clevis Hitch Insert
- Mechanical Acre Counter
- 42" x 3/4" HD Drum Option
- 36" x 1/2" Roller Drum Option
- Mud Scraper Kit
- Available in Mandako Green or Black

