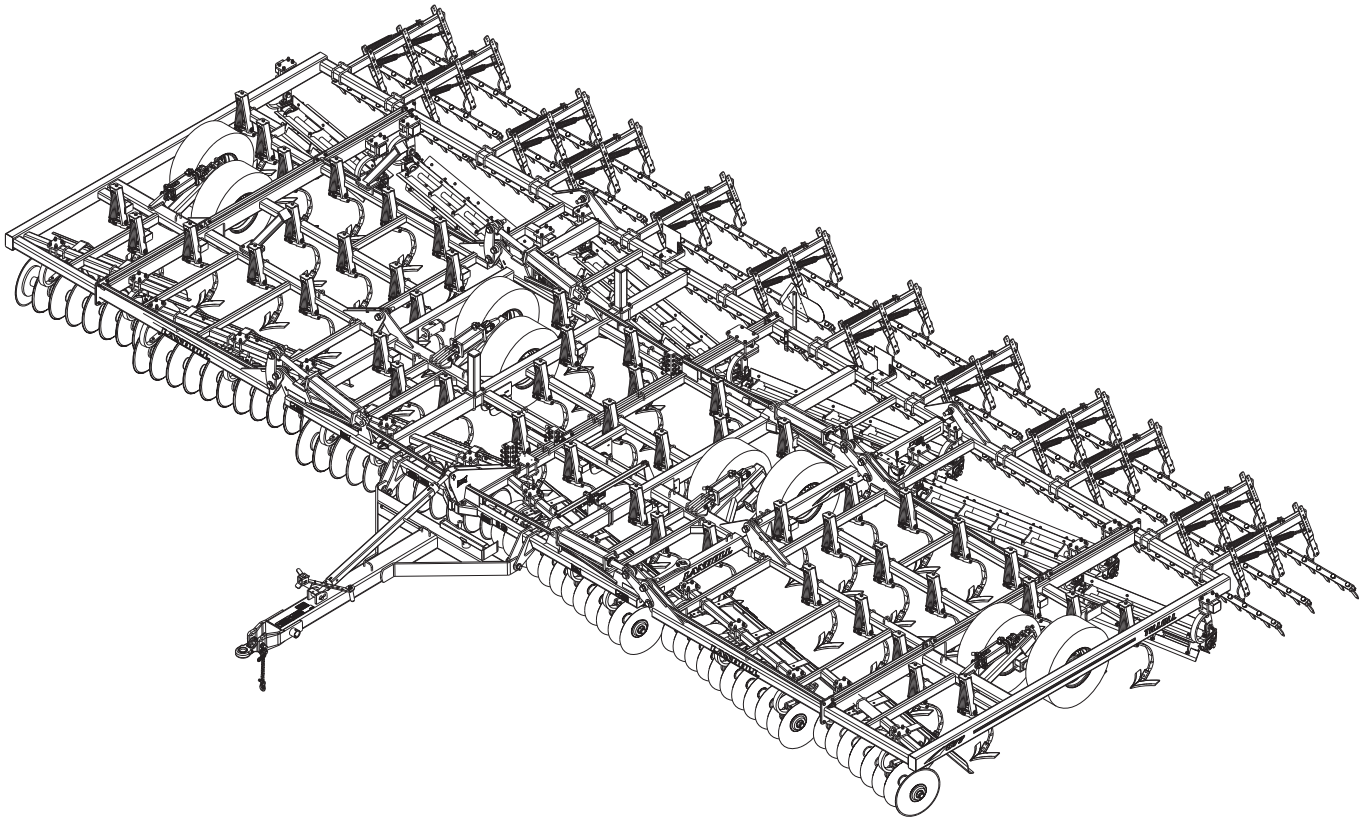




# Model 877 Tillage Parts Manual

Serial Number: 01B2002332 to Present



**LANDOLL COMPANY, LLC**

1900 North Street

Marysville, Kansas 66508

(785) 562-5381

800-428-5655 ~ [WWW.LANDOLL.COM](http://WWW.LANDOLL.COM)

---

## Manuals for the 877 Tilloll

MANUAL NUMBER	MANUAL NAME
F-1072	877 Operator's Manual
F-1073	877 Parts Manual

---

# Table of Contents

## 1 Illustrated Parts List

<b>Instructions for Ordering Parts</b> .....	<b>1-1</b>
<b>Center Frames</b> .....	<b>1-2</b>
Center Frame Assembly .....	1-3
Center Frame Lift Assembly .....	1-5
Depth Stop Assembly .....	1-6
<b>Wing Frames</b> .....	<b>1-8</b>
Wing Frame Assembly 30' .....	1-9
Wing Frame Assembly 35' .....	1-11
Wing Frame Assembly 40' .....	1-13
<b>Hub &amp; Spindles</b> .....	<b>1-14</b>
Hub and Spindle Assembly - 156972 .....	1-15
Hub and Spindle Assembly - 223440 .....	1-17
<b>Hitch Assemblies</b> .....	<b>1-18</b>
Hitch Assembly .....	1-19
7,000 Lb. Sidewind Jack Assembly .....	1-20
Ball & Ring Hitches .....	1-23
<b>Fold Assemblies</b> .....	<b>1-24</b>
Fold Assembly 877-30' .....	1-25
Fold Assembly 877-35' .....	1-27
Fold Assembly 877-40' .....	1-29
<b>Disc Gangs Assemblies</b> .....	<b>1-30</b>
Disc Gang Assembly .....	1-31
Disc Gang Layout 877-30' .....	1-32
Disc Gang Layout 877-35' .....	1-33
Disc Gang Layout 877-40' .....	1-34
<b>Disc Gang Shields</b> .....	<b>1-36</b>
Disc Gang Shield Assembly .....	1-37
<b>Shank Assemblies</b> .....	<b>1-38</b>
Spring Shank Assembly (Before 08-01-2020) .....	1-39
Spring Shank Assembly (After 08-01-2020) .....	1-41
S-Tine Shank Assembly .....	1-43
<b>Reel &amp; Harrow Assemblies</b> .....	<b>1-44</b>
Reel & Harrow Layout .....	1-45
Reel Assembly .....	1-47
Chopper Reel Assembly .....	1-49
Harrow Assembly .....	1-51
<b>Lift Hydraulics</b> .....	<b>1-52</b>
Lift Hydraulic Assembly .....	1-53
<b>Fold Hydraulics</b> .....	<b>1-54</b>
Fold Hydraulic Assembly 877-30' .....	1-55
Fold Hydraulic Assembly 877-35'-40' .....	1-57
<b>Cylinders</b> .....	<b>1-58</b>

Cylinder - Rephase Assembly 4-1/2 X 8 .....	1-58
Cylinder - Rephase Assembly 4 X 8 .....	1-59
Cylinder - 3-1/2 X 16 .....	1-60
Cylinder - 4-1/2 X 16 .....	1-61
Cylinder - 4-1/2 X 20 .....	1-62
<b>Electrical</b> .....	<b>1-63</b>
Electrical Assembly W/ LED Lights .....	1-65
<b>Decals</b> .....	<b>1-66</b>
Decals .....	1-69

## **2 Index**

# Illustrated Parts List

## Instructions for Ordering Parts

**\*\* Repair parts must be ordered through an Authorized Dealer \*\***

### DEALER INSTRUCTIONS FOR ORDERING PARTS FROM LANDOLL PARTS DISTRIBUTION CENTER

Phone #: [800-423-4320](tel:800-423-4320) or [785-562-5381](tel:785-562-5381)

Fax #: [888-527-3909](tel:888-527-3909)

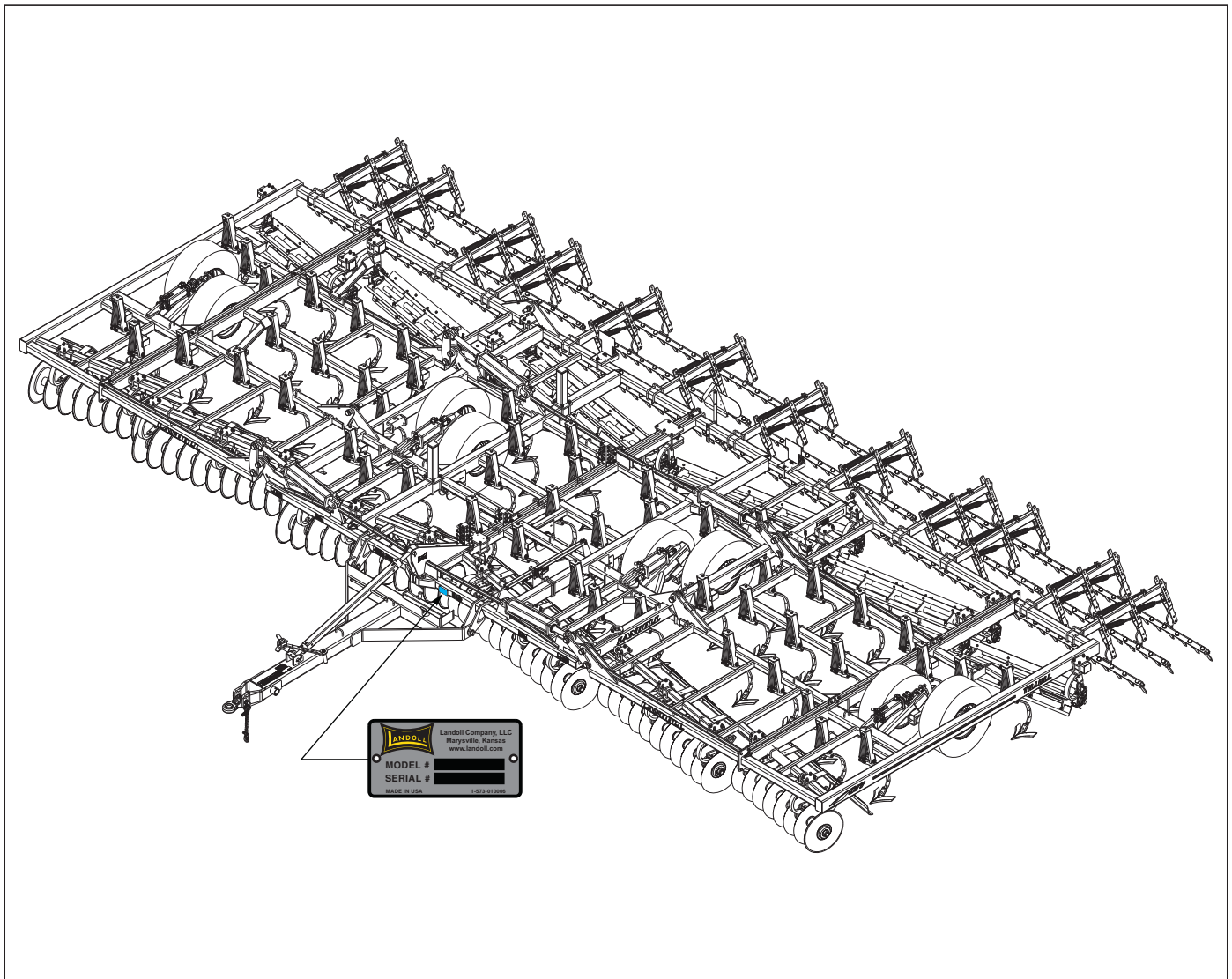
Order online: [dealer.landoll.com](http://dealer.landoll.com)

### IDENTIFICATION PLATE

*See Figure 1-1* The identification plate, which lists the model number and serial number, is located on the front of the center frame.

### SERIAL NUMBER NOMENCLATURE

The serial number for the Landoll 877 Tillage is located on the identification plate.



**Figure 1-1: Identification Plate**

# Center Frames

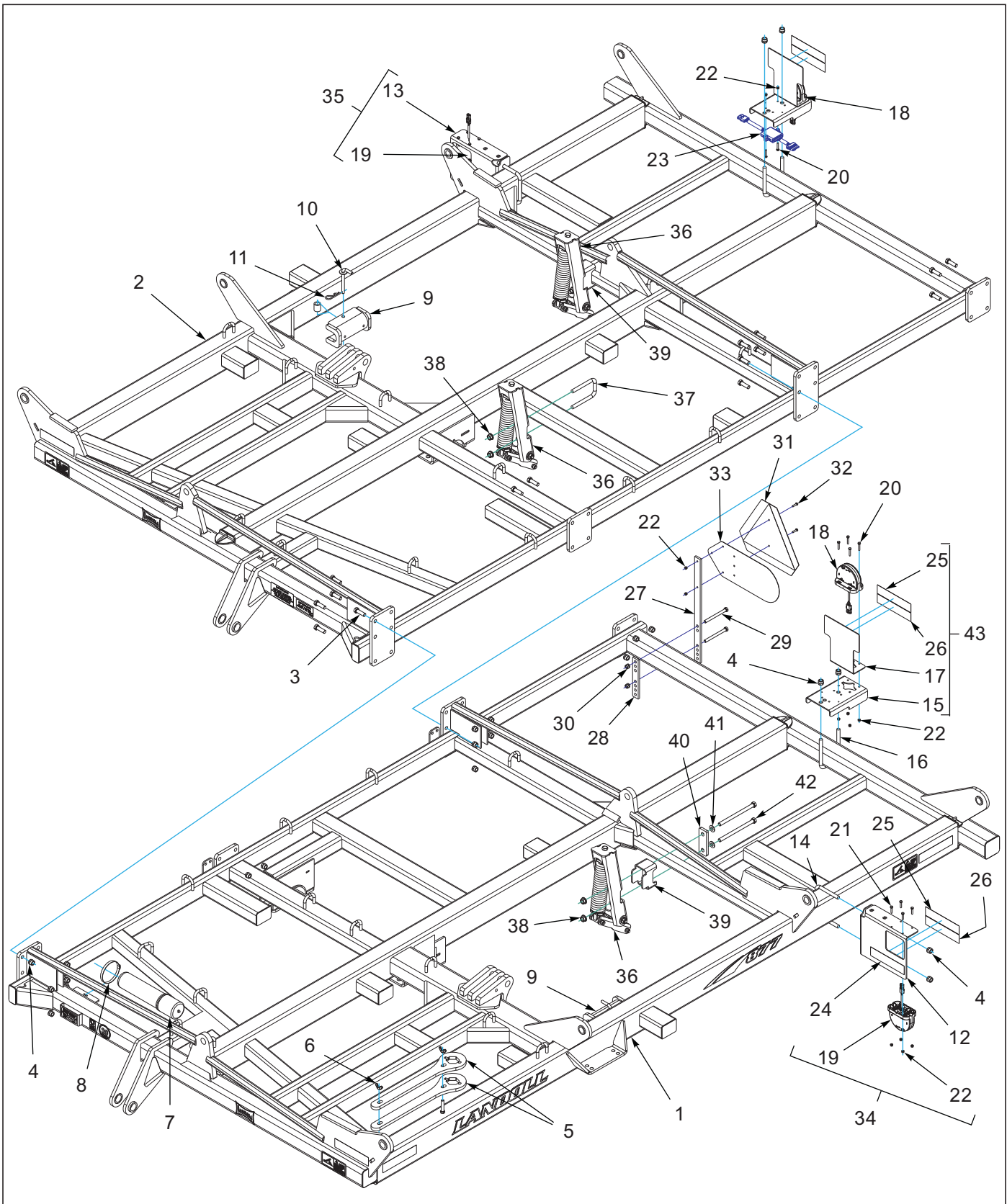


Figure 1-2: Center Frame Assembly

## Center Frame Assembly

ITEM	PART NO.	DESCRIPTION	QTY.
1	229585	FRAME WLDMT, LH CENTER 30'	1
1	225513	FRAME WLDMT, LH CENTER 35'-40'	1
2	229586	FRAME WLDMT, RH CENTER 30'	1
2	225514	FRAME WLDMT, RH CENTER 35'-40'	1
3	1-654-010059-05	SCREW,HEX CAP,5/8-11UNCX2 GR5	20
4	1-512-010005-13	NUT,HEX SLFLKG GRB 5/8-11	28
5	2-217-010033	WRENCH COULTER GANG NUT	2
6	1-533-010001	1/2-13 WING NUT 20 TYPE A	2
7	1-116-010019	BOX, MANUAL STORAGE	1
8	105-0093	HOSE CLAMP 4-1/2 IDEAL #5264	1
9	2-459-010038	LOCKOUT, DROP-IN 2IN RODX8	2
10	2-557-010053	PIN LOCKOUT	2
11	1-557-010013	PIN, HAIR 3/16 DIA	2
12	222135	MOUNT, LH LED LIGHT	1
13	222134	MOUNT, RH LED LIGHT	1
14	2-102-010032	U BOLT CENTER SHANK MT.	2
15	164138	MOUNT, LIGHT TAIL	2
16	141228	U-BOLT 5/8X4X6-1/2	2
17	164139	MOUNT, REFLECTOR	2
18	174435	LAMP, AG RED SINGLE LED	2
19	174436	LAMP, AG AMBER SINGLE LED	2
20	1-654-010047-08	SCREW HX CP,1/4-20UNCX1-1/2G5	8
21	1-654-010047-07	SCREW,HX CP 1/4-20UNCX1-1/4G5	8
22	1-512-010005-01	NUT,HEX,SLFLKG GRB 1/4-20	20
23	174437	MODULE, AG FLASHER CONTROL	1
24	528934	REFLECTOR - YELLOW	2
25	528938	STRIPE, ORANGE	4
26	528933	REFLECTOR - RED	4
27	108830	BRACKET, MOUNTING, SMV	1
28	2-054-010461	BAR, WARNING LIGHTS	1
29	1-654-010055-16	SCREW HEX CAP 1/2-13X5-1/2GR5	2
30	1-512-010005-09	NUT,HEX,SLFLKG, 1/2-13 GRB	2
31	70260977	SMV EMBLEM	1
32	1-654-010047-06	SCREW,HX CP 1/4-20UNCX1 GR5	2
33	224590	MOUNT, SIS DECAL	1
34	222133	LIGHT ASSY, LH LED AMBER <b>(INCLUDES ITEMS 12, 19, 21-22, 24-26)</b>	1
35	222132	LIGHT ASSY, RH LED AMBER <b>(INCLUDES ITEMS 13, 19, 21-22, 24-26)</b>	1
36	225540	SHANK ASSY, SPRING, 3 X 4 TUBE <b>(SEE PAGE 1-41)</b>	1
37	229555	U-BOLT, 5/8 X 3-11/16 X 5-3/4	1
38	29SFFL 5811	NUT,FLANGE HEAD LOCK5/8-11UNC	2
39	225546	EXTENSION, SPRING SHANK 2-1/2"	
40	197394	PLATE, SHANK MOUNT	1
41	1-861-010032-18	WASHER, FLAT 5/8 N ZP/CD	2
42	171892	SCREW, HEX CAP 5/8-11UNCX9 GR5	2
43	164140	REFLECTOR ASSY <b>(INCLUDES ITEMS 15, 17, 25-26)</b>	2

ILLUSTRATED PARTS LIST

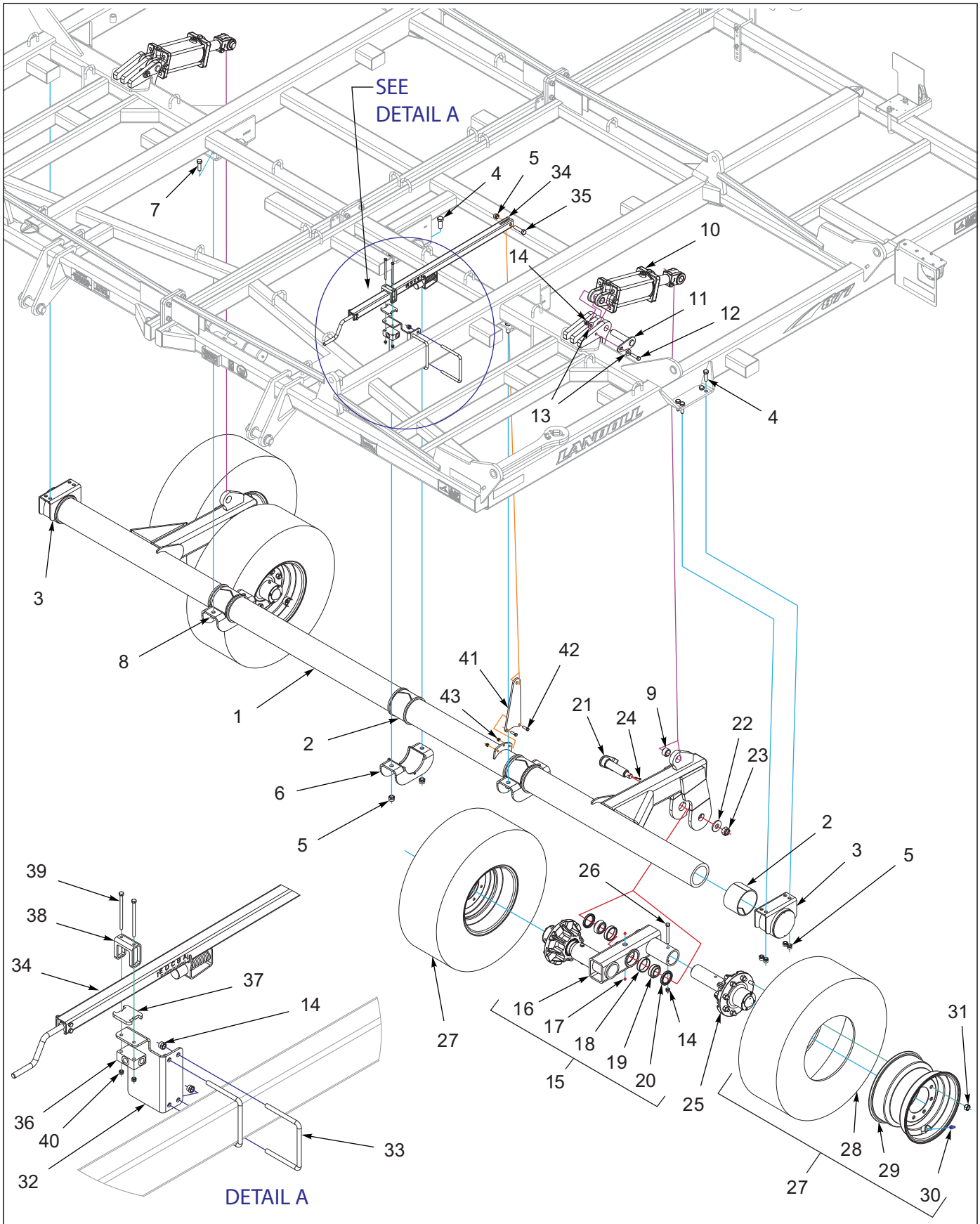


Figure 1-3: Center Frame Lift Assembly



## Center Frame Lift Assembly

ITEM	PART NO.	DESCRIPTION	QTY.
1	225516	LIFT WLDMT, CENTER 877	1
2	140519	BEARING, UHMW 4IN	5
3	179655	BEARING CAP, LIFT WLDMT	2
4	1-654-010059-05	SCREW,HEX CAP,5/8-11UNCX2 GR5	10
5	1-512-010005-13	NUT,HEX SLFLKG GRB 5/8-11	11
6	141234	WLDMT, BEARING CAP LIFT	3
7	1-654-010061-05	SCREW,HHC,3/4-10UNCX2,GR5,ZP	4
8	1-512-010005-15	NUT,HEX,SLFLKG GRB 3/4-10	4
9	2-150-010174	BUSHING,1-5/8X1-1/4X1	2
10	134558	CYLINDER,4-1/2X8 MASTER 876 <b>(SEE PAGE 1-58)</b>	2
11	134495	PIN WLDMT LIFT CYL 876	2
12	1-654-010055-05	SCREW,HEX CAP,1/2-13UNCX2 GR5	2
13	1-861-010032-15	WASHER, FLAT 1/2 W ZP/CD	6
14	1-512-010005-09	NUT,HEX,SLFLKG, 1/2-13 GRB	12
15	161545	WALKING BEAM ASSY, 3" <b>(INCLUDES ITEMS 16-20)</b>	2
16	161546	WALKING BEAM, 3" SPINDLE WLDMT	2
17	1-298-010001-1	ZERK FITTING 1/4 SAE	4
18	140551	CUP BEARING	4
19	140552	CONE BEARING	4
20	140553	SEAL GREASE	4
21	141196	SPINDLE, WALKING BEAM WLDMT	2
21	1-861-010005	WASHER, SPINDLE 1	2
22	1-516-010001-20	NUT, HX SLOT 1-14	2
23	1-557-010362-51	PIN, COTTER 3/16X1-1/2	2
24	156972	HUB & SPINDLE ASSY, 8 BOLT <b>(BEFORE 02-01-2020) (SEE PAGE 1-15)</b>	4
25	223440	ASSY, 8 BOLT HUB & SPINDLE <b>(AFTER 02-01-2020) (SEE PAGE 1-17)</b>	4
26	1-654-010055-14	SCREW,HX CP,1/2-13UNCX4-1/2G5	4
27	184708	TIRE ASSY,320/70R15,8 BOLTWHL <b>(INCLUDES ITEMS 28-31)</b>	4
28	204385	FIRESTONE RADIAL 320/70R15	4
29	140548	WHEEL, 15 X 10 LB 8 BOLT	4
30	TR575	VALVE STEM TUBELESS TIRE	4
31	102600	NUT,WHEEL BOLT, 5/8	32
32	225531	BRACKET, DCV MOUNT	1
33	4J918	U-BOLT 1/2 X 5-1/4 X 6-1/16	2
34	225532	ASSY, DEPTH STOP 47" <b>(SEE PAGE 1-6)</b>	1
35	1-654-010059-07	SCREW HX CP 5/8-11UNCX2-1/2G5	1
36	185660	VALVE, LIMIT	1
37	165257	PAD, SLIDE	1
38	165265	GUIDE, DEPTH STOP	1
39	1-654-010049-19	SCREW,HEX CP,5/16-18UNCX5 GR5	2
40	1-512-010005-03	NUT HEX SLFLKG GRB 5/16-18	2
41	164124	MOUNT, DEPTH CONTROL	1
42	1-654-010051-06	SCREW,HEX CAP 3/8-16UNCX1-1/4	2
43	1-512-010005-05	NUT, HEX, SLFLKG GRB 3/8-16	2

ILLUSTRATED PARTS LIST

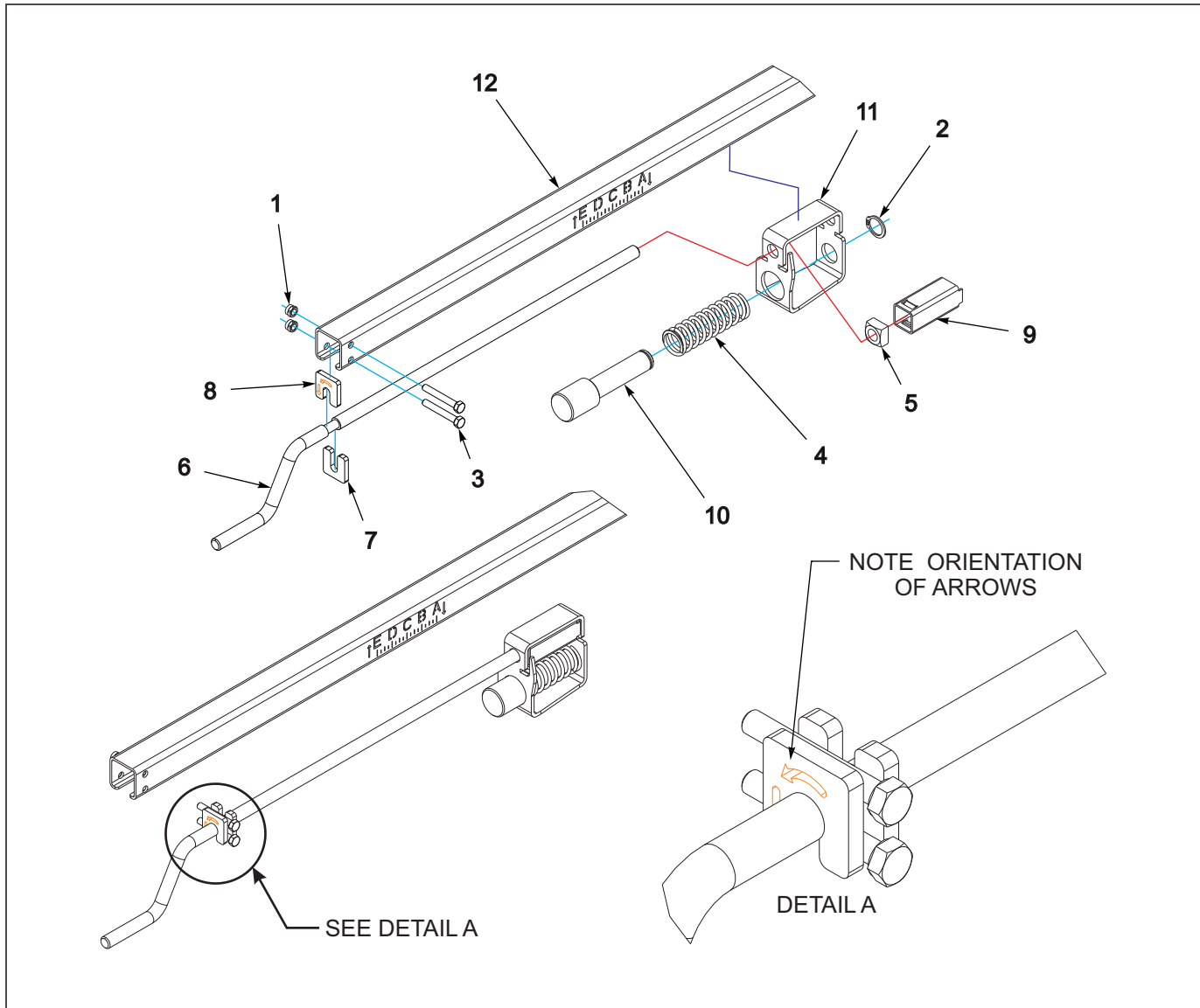


Figure 1-4: Depth Stop Assembly

Depth Stop Assembly

ITEM	PART NO.	DESCRIPTION	QTY.
--	225532	ASSY, DEPTH STOP 47"	
1	1-512-010005-03	NUT HEX SLFLKG GRB 5/16-18	2
2	1-630-010021-03	RING, RETAINING 1.0 HD	1
3	108628	SCREW HX CP 5/16-18UNCX2-1/4	2
4	122917	SPRING COMPRESSION,4-1/2 MONO	1
5	144048	NUT, SQ 5/8-11 GR5	1
6	165258	HANDLE, DEPTH STOP	1
7	165259	STOP, HANDLE LONG	1
8	165260	STOP, HANDLE SHORT	1
9	166717	SQ TUBE, FLOATING	1
10	174708	PIN, DEPTH STOP	1
11	174709	SQ TUBE, DEPTH STOP	1
12	225533	SQ TUBE, DEPTH STOP 47"	1



# Wing Frames

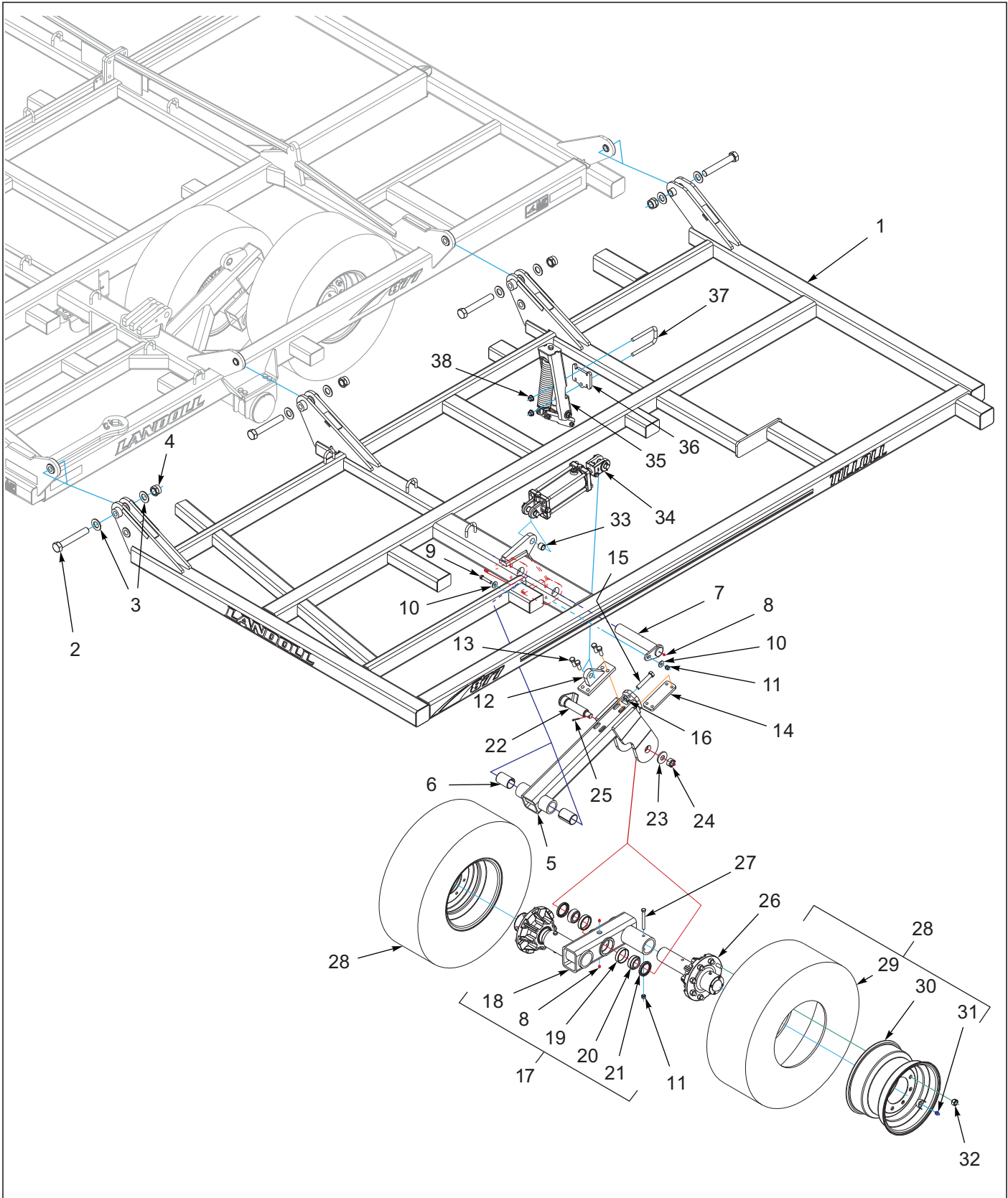


Figure 1-5: Wing Frame Assembly 30'

## Wing Frame Assembly 30'

ITEM	PART NO.	DESCRIPTION	QTY.
1	222143	FRAME WLDMT, LH WING 30' <b>(SHOWN)</b>	1
1	222144	FRAME WLDMT, RH WING 30'	1
2	1-654-010125-20	SCREW,1-8UNCX7-1/2 HX CP GR8	8
3	1-861-010032-24	WASHER FL 1IN NARROW ZP)	16
4	1-512-010005-19	NUT 1-8 HEX SLF-LOCKING GRB	8
5	218882	WLDMT, ADJ WING LIFT	2
6	134496	BUSHING,SPRING 2-1/4X2X3-1/4	4
7	134498	PIN WLDMT PIVOT 2"	2
8	1-298-010001-1	ZERK FITTING 1/4 SAE	3
9	1-654-010055-07	SCREW HX CP 1/2-13UNCX2-1/2	2
10	1-861-010032-15	WASHER, FLAT 1/2 W ZP/CD	4
11	1-512-010005-09	NUT,HEX,SLFLKG, 1/2-13 GRB	4
12	156860	CYL ANCHOR WLDMT	2
13	1-654-010059-04	SCREW,HEX CAP 5/8-11X1-3/4 G5	8
14	139800	PLATE CLAMP ANCHOR	2
15	163504	SCREW HX FL THD3/4-10UNCX4 G5	2
16	119083	NUT, HEX JAM 3/4-10 GR2 ZP	2
17	161545	WALKING BEAM ASSY, 3" <b>(INCLUDES ITEMS 8, 18-21)</b>	2
18	161546	WALKING BEAM, 3" SPINDLE WLDMT	2
19	140551	CUP BEARING	4
20	140552	CONE BEARING	4
21	140553	SEAL GREASE	4
22	141196	SPINDLE, WALKING BEAM WLDMT	2
23	1-861-010005	WASHER, SPINDLE 1	2
24	1-516-010001-20	NUT, HX SLOT 1-14	2
25	1-557-010362-51	PIN, COTTER 3/16X1-1/2	2
26	156972	HUB & SPINDLE ASSY, 8 BOLT <b>(BEFORE 02-01-2020) (SEE PAGE 1-15)</b>	4
26	223440	ASSY, 8 BOLT HUB & SPINDLE <b>(AFTER 02-01-2020) (SEE PAGE 1-17)</b>	4
27	1-654-010055-14	SCREW,HX CP,1/2-13UNCX4-1/2G5	2
28	184708	TIRE ASSY,320/70R15,8 BOLTWHL <b>(INCLUDES ITEMS 29-31)</b>	4
29	204385	FIRESTONE RADIAL 320/70R15	4
30	140548	WHEEL, 15 X 10 LB 8 BOLT	4
31	TR575	VALVE STEM TUBELESS TIRE	4
32	102600	NUT,WHEEL BOLT, 5/8	32
33	2-150-010008	BUSHING 1-1/4ODX1IDX1 STEEL	4
34	1-242-010173-5	CYLINDER HYD 4X8 SLAVE 1 <b>(SEE PAGE 1-59)</b>	2
35	225540	SHANK ASSY, SPRING, 3 X 4 TUBE	1
36	229557	EXTENSION, SPRING SHANK 1/2"	1
37	8-102-010043	U-BOLT, SPING CLAMP	1
38	29SFFL 5811	NUT,FLANGE HEAD LOCK5/8-11UNC	2

ILLUSTRATED PARTS LIST

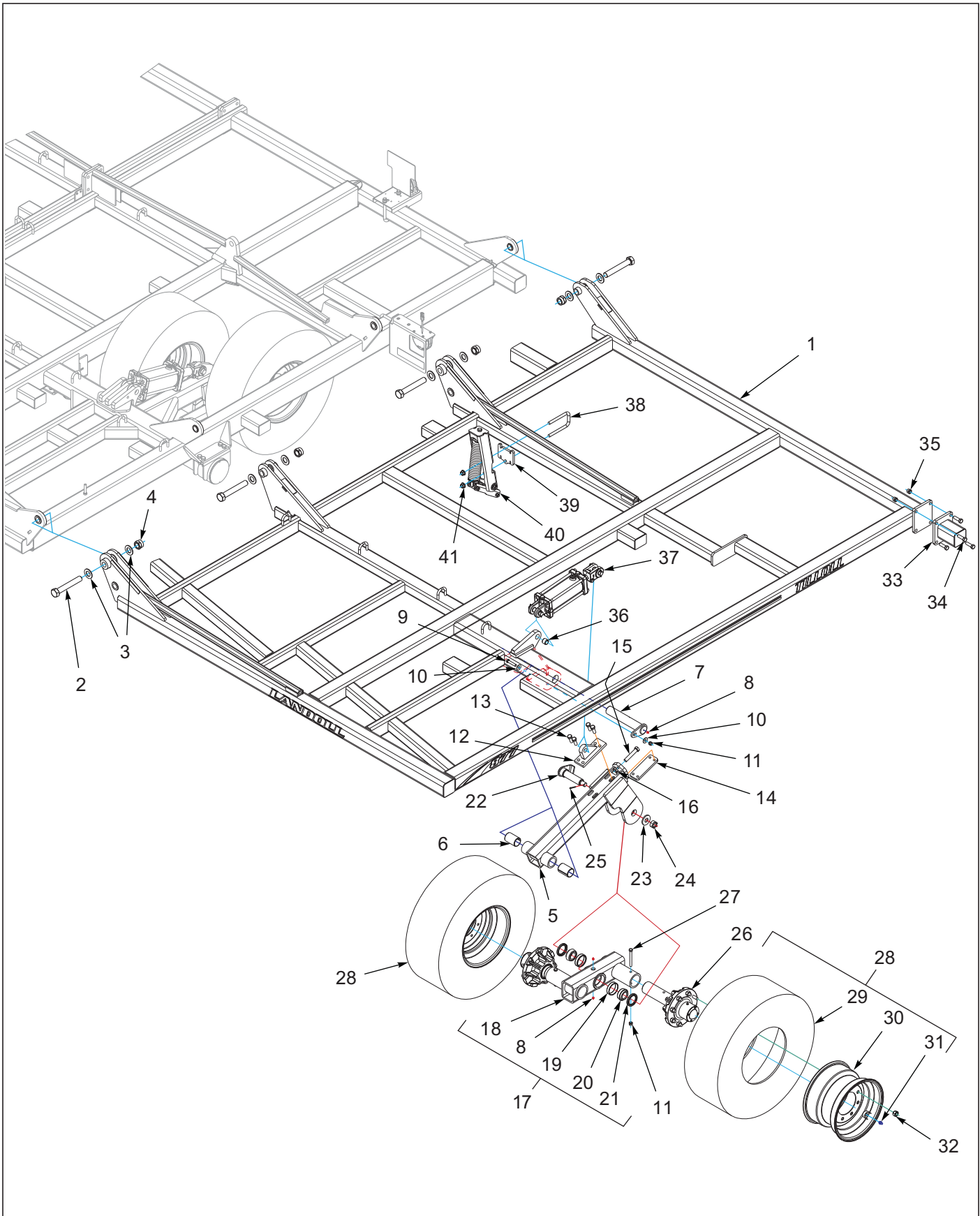


Figure 1-6: Wing Frame Assembly 35'

## Wing Frame Assembly 35'

ITEM	PART NO.	DESCRIPTION	QTY.
1	222119	FRAME WLDMT, LH WING 35' <b>(SHOWN)</b>	1
1	222118	FRAME WLDMT, RH WING 35'	1
2	1-654-010123-01	SCREW,CAP,SPEC.,1-1/4-7X8G8	8
3	116100	WASHER 1-1/4 NAR FL ZP/CD	16
4	101385	NUT,HEX SLFLKG,1-1/4-7 GRB	8
5	218882	WLDMT, ADJ WING LIFT	2
6	134496	BUSHING,SPRING 2-1/4X2X3-1/4	4
7	134498	PIN WLDMT PIVOT 2"	2
8	1-298-010001-1	ZERK FITTING 1/4 SAE	3
9	1-654-010055-07	SCREW HX CP 1/2-13UNCX2-1/2	2
10	1-861-010032-15	WASHER, FLAT 1/2 W ZP/CD	4
11	1-512-010005-09	NUT,HEX,SLFLKG, 1/2-13 GRB	3
12	156860	CYL ANCHOR WLDMT	2
13	1-654-010059-04	SCREW,HEX CAP 5/8-11X1-3/4 G5	8
14	139800	PLATE CLAMP ANCHOR	2
15	163504	SCREW HX FL THD3/4-10UNCX4 G5	2
16	119083	NUT, HEX JAM 3/4-10 GR2 ZP	2
17	161545	WALKING BEAM ASSY, 3" <b>(INCLUDES ITEMS 18-21)</b>	2
18	161546	WALKING BEAM, 3" SPINDLE WLDMT	2
19	140551	CUP BEARING	4
20	140552	CONE BEARING	4
21	140553	SEAL GREASE	4
22	141196	SPINDLE, WALKING BEAM WLDMT	2
23	1-861-010005	WASHER, SPINDLE 1	2
24	1-516-010001-20	NUT, HX SLOT 1-14	2
25	1-557-010362-51	PIN, COTTER 3/16X1-1/2	2
26	156972	HUB & SPINDLE ASSY, 8 BOLT <b>(BEFORE 02-01-2020) (SEE PAGE 1-15)</b>	4
26	223440	ASSY, 8 BOLT HUB & SPINDLE <b>(AFTER 02-01-2020) (SEE PAGE 1-17)</b>	4
27	1-654-010055-14	SCREW,HX CP,1/2-13UNCX4-1/2G5	2
28	184708	TIRE ASSY,320/70R15,8 BOLTWHL <b>(INCLUDES ITEMS 29-31)</b>	4
29	204385	FIRESTONE RADIAL 320/70R15	4
30	140548	WHEEL, 15 X 10 LB 8 BOLT	4
31	TR575	VALVE STEM TUBELESS TIRE	4
32	102600	NUT,WHEEL BOLT, 5/8	32
33	222159	WLDMT, TILLOLL FRAME EXT	2
34	1-654-010059-05	SCREW,HEX CAP,5/8-11UNCX2 GR5	8
35	1-512-010005-13	NUT,HEX SLFLKG GRB 5/8-11	8
36	2-150-010008	BUSHING 1-1/4ODX1IDX1 STEEL	4
37	1-242-010173-5	CYLINDER HYD 4X8 SLAVE 1 <b>(SEE PAGE 1-59)</b>	2
38	8-102-010043	U-BOLT, SPING CLAMP	1
39	229557	EXTENSION, SPRING SHANK 1/2"	1
40	225540	SHANK ASSY, SPRING, 3 X 4 TUBE	1
41	29SFFL 5811	NUT,FLANGE HEAD LOCK5/8-11UNC	2

ILLUSTRATED PARTS LIST

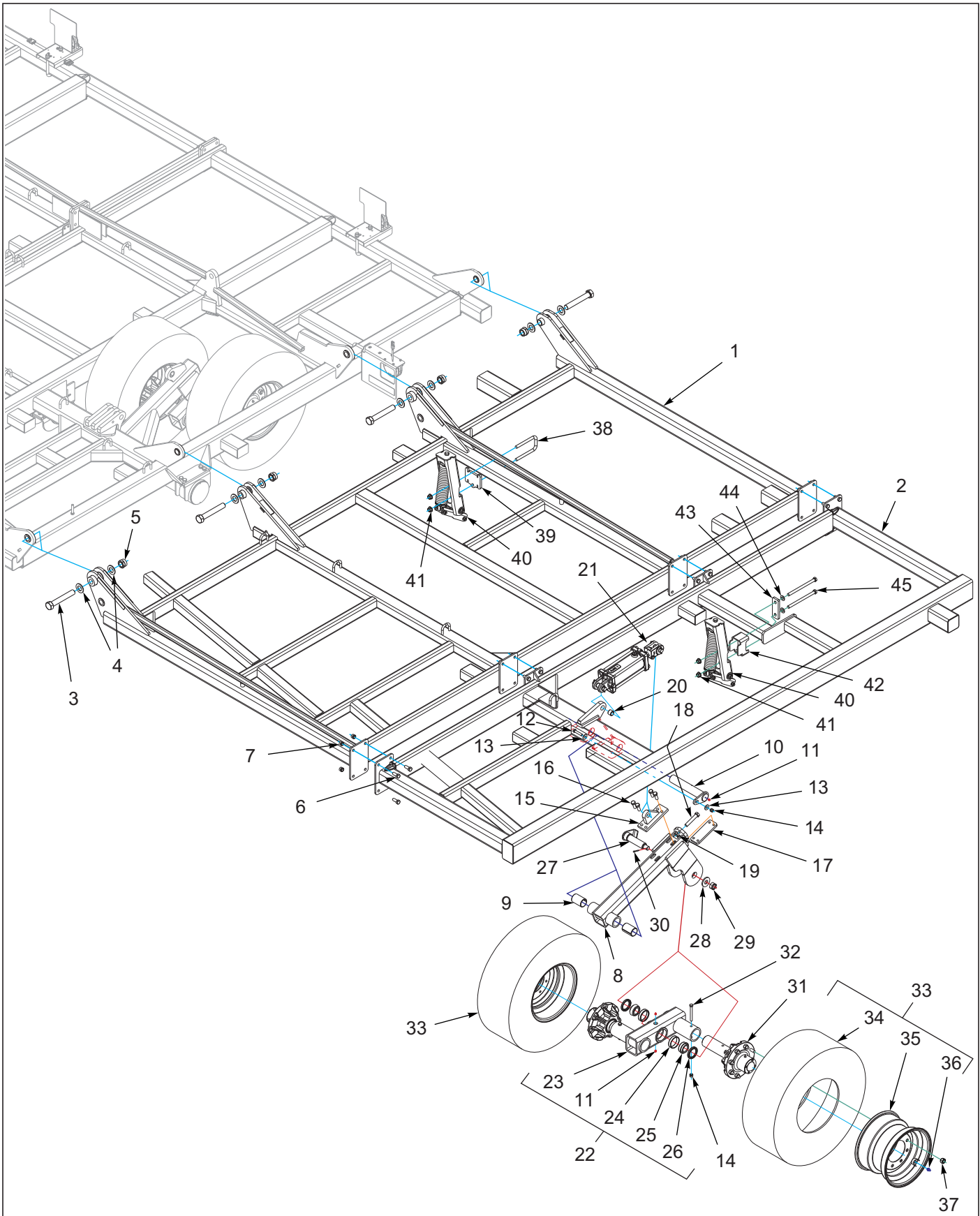


Figure 1-7: Wing Frame Assembly 40'



## Wing Frame Assembly 40'

ITEM	PART NO.	DESCRIPTION	QTY.
1	218877	FRAME WLDMT, LH WING 40' (SHOWN)	1
1	218879	FRAME WLDMT, RH WING 40'	1
2	218878	FRAME WLDMT, LH WING EXT 40' (SHOWN)	1
2	218880	FRAME WLDMT, RH WING EXT 40'	1
3	1-654-010123-01	SCREW,CAP,SPEC.,1-1/4-7X8G8	8
4	116100	WASHER 1-1/4 NAR FL ZP/CD	16
5	101385	NUT,HEX SLFLKG,1-1/4-7 GRB	8
6	1-654-010059-03	SCREW 5/8-11UNCX1-1/2 HXCP G5	32
7	1-512-010005-13	NUT,HEX SLFLKG GRB 5/8-11	32
8	218882	WLDMT, ADJ WING LIFT	2
9	134496	BUSHING,SPRING 2-1/4X2X3-1/4	4
10	134498	PIN WLDMT PIVOT 2"	2
11	1-298-010001-1	ZERK FITTING 1/4 SAE	3
12	1-654-010055-07	SCREW HX CP 1/2-13UNCX2-1/2	2
13	1-861-010032-15	WASHER, FLAT 1/2 W ZP/CD	4
14	1-512-010005-09	NUT,HEX,SLFLKG, 1/2-13 GRB	3
15	156860	CYL ANCHOR WLDMT	2
16	1-654-010059-04	SCREW,HEX CAP 5/8-11X1-3/4 G5	8
17	139800	PLATE CLAMP ANCHOR	2
18	163504	SCREW HX FL THD3/4-10UNCX4 G5	2
19	119083	NUT, HEX JAM 3/4-10 GR2 ZP	2
20	2-150-010008	BUSHING 1-1/4ODX1IDX1 STEEL	4
21	1-242-010173-5	CYLINDER HYD 4X8 SLAVE 1 (SEE PAGE 1-59)	2
22	161545	WALKING BEAM ASSY, 3" (INCLUDES ITEMS 18-21)	2
23	161546	WALKING BEAM, 3" SPINDLE WLDMT	2
24	140551	CUP BEARING	4
25	140552	CONE BEARING	4
26	140553	SEAL GREASE	4
27	141196	SPINDLE, WALKING BEAM WLDMT	2
28	1-861-010005	WASHER, SPINDLE 1	2
29	1-516-010001-20	NUT, HX SLOT 1-14	2
30	1-557-010362-51	PIN, COTTER 3/16X1-1/2	2
31	156972	HUB & SPINDLE ASSY, 8 BOLT (BEFORE 02-01-2020) (SEE PAGE 1-15)	4
31	223440	ASSY, 8 BOLT HUB & SPINDLE (AFTER 02-01-2020) (SEE PAGE 1-17)	4
32	1-654-010055-14	SCREW,HX CP,1/2-13UNCX4-1/2G5	2
33	184708	TIRE ASSY,320/70R15,8 BOLTWHL (INCLUDES ITEMS 34-36)	4
34	204385	FIRESTONE RADIAL 320/70R15	4
35	140548	WHEEL, 15 X 10 LB 8 BOLT	4
36	TR575	VALVE STEM TUBELESS TIRE	4
37	102600	NUT,WHEEL BOLT, 5/8	32
38	8-102-010043	U-BOLT, SPING CLAMP	1
39	229557	EXTENSION, SPRING SHANK 1/2"	1
40	225540	SHANK ASSY, SPRING, 3 X 4 TUBE	1
41	29SFFL 5811	NUT,FLANGE HEAD LOCK5/8-11UNC	2
42	225546	EXTENSION, SPRING SHANK 2-1/2"	1
43	197394	PLATE, SHANK MOUNT	1
44	1-861-010032-18	WASHER, FLAT 5/8 N ZP/CD	2
45	171892	SCREW, HEX CAP 5/8-11UNCX9 GR5	2

# Hub & Spindles

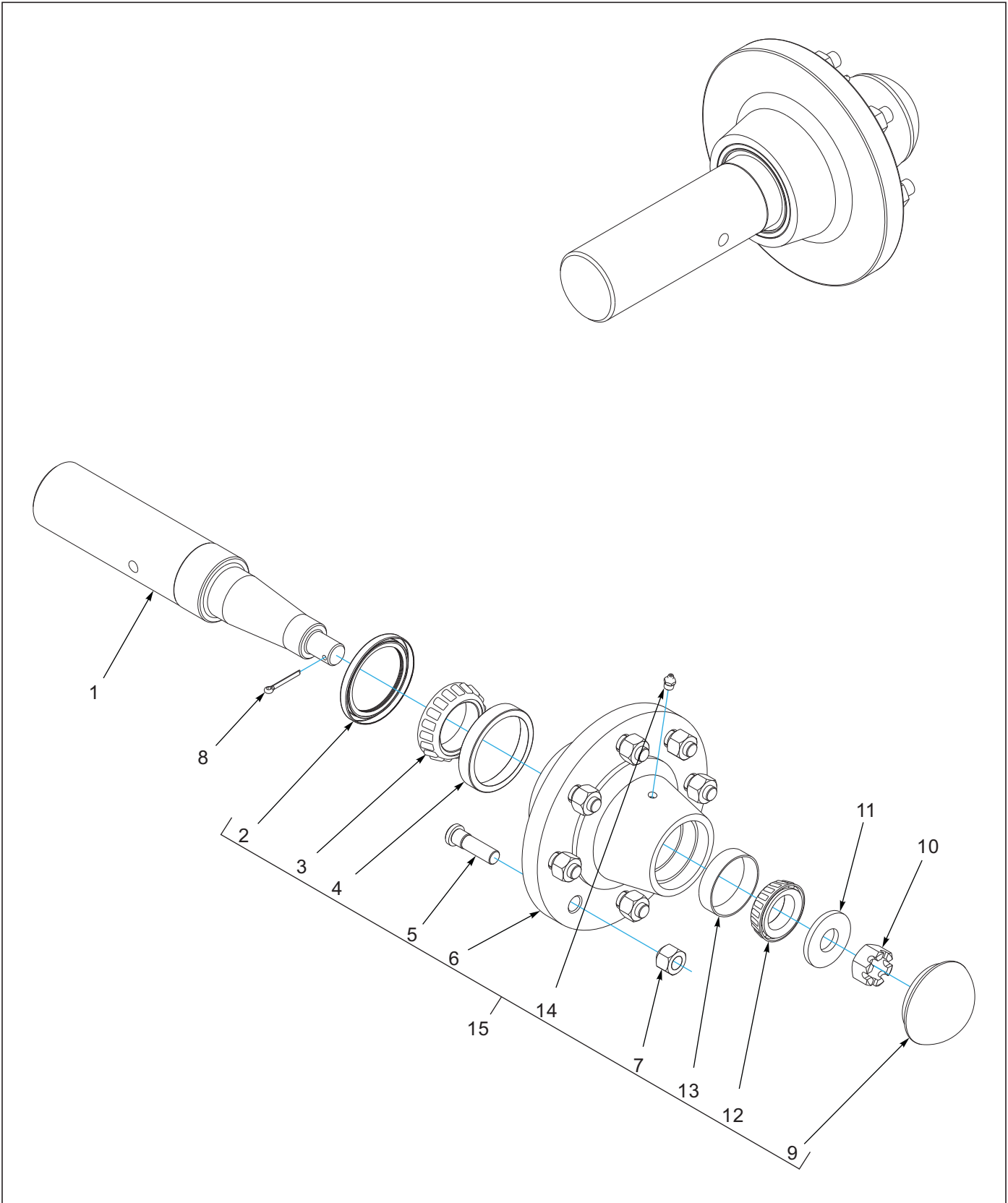


Figure 1-8: Hub and Spindle Assembly - 156972

---

## Hub and Spindle Assembly - 156972

---

ITEM	PART NO.	DESCRIPTION	QTY.
--	156972	HUB & SPINDLE ASSY, 8 BOLT <b>(BEFORE 2-1-2020)</b>	
1	156973	SPINDLE 3 X 16-1/2	1
2	159970	SEAL,TRIPLE LIP 4 ODX3 IDX3/8	1
3	156979	CONE BEARING - 387AS	1
4	111962	OUTER BEARING CUP L20HD#382A	1
5	4001060	HUB 75-8 BOLTS 5/8-18 STUD	1
6	156974	HUB W/CUPS, 8 BOLT, 7500LBS <b>(INCLUDES ITEMS 4, 5, 7, 13, 14)</b>	1
7	102600	NUT,WHEEL BOLT, 5/8	8
8	1-557-010362-51	PIN, COTTER 3/16X1-1/2	1
9	102601	HUB CAP, 8-BOLT HUB	1
10	1-516-010001-20	NUT, HX SLOT 1-14	1
11	1-861-010005	WASHER, SPINDLE 1	1
12	102498	BEARING CONE,OUTER, 1.625	1
13	102604	BEARING CUP, OUTER	1
14	5000	ZERK FITTING 1/8NPT	1
15	168859	HUB ASSY, EIGHT BOLT <b>(SERVICE KIT ONLY)</b>	

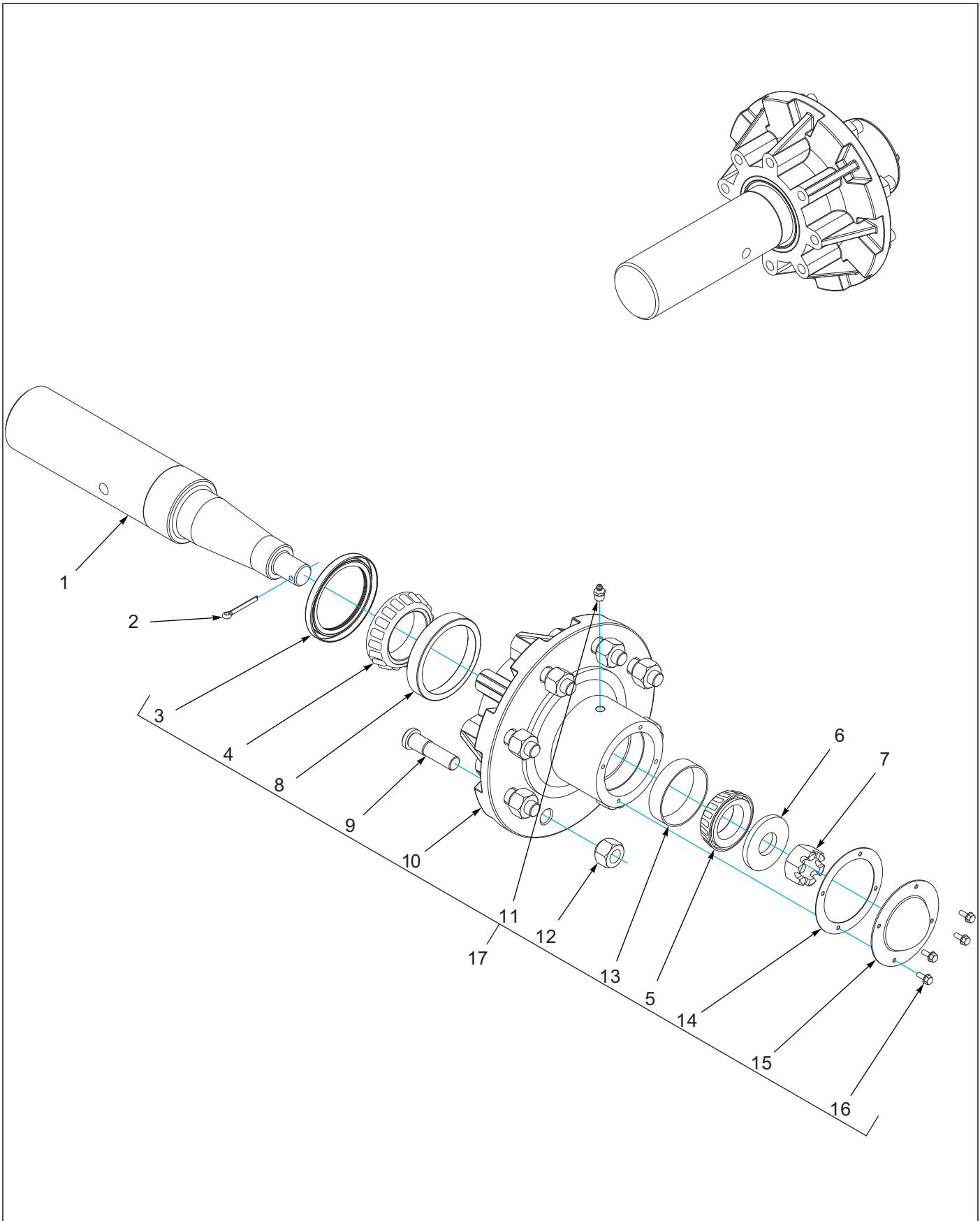


Figure 1-9: Hub and Spindle Assembly - 223440

## Hub and Spindle Assembly - 223440

ITEM	PART NO.	DESCRIPTION	QTY.
--	223440	ASSY, 8 BOLT HUB & SPINDLE <b>(AFTER 2-1-2020)</b> (NOTE: P/N 223440 HUB & SPINDLE WILL REPLACE ALL EXISTING 156972 HUB & SPINDLE ASSEMBLIES)	
1	156973	SPINDLE 3 X 16-1/2	1
2	1-557-010362-51	PIN, COTTER 3/16X1-1/2	1
3	159970	SEAL,TRIPLE LIP 4 ODX3 IDX3/8	1
4	156979	CONE BEARING - 387AS	1
5	102498	BEARING CONE,OUTER, 1.625	1
6	1-861-010005	WASHER, SPINDLE 1	1
7	1-516-010001-20	NUT, HX SLOT 1-14	1
8	111962	OUTER BEARING CUP L20HD#382A	1
9	4001060	HUB 75-8 BOLTS 5/8-18 STUD	8
10	223435	HUB ASSY W/ CUPS,GASKET,CAP <b>(INCLUDES ITEMS 8, 9, 11-16)</b>	1
11	5000	ZERK FITTING 1/8NPT	1
12	102600	NUT,WHEEL BOLT, 5/8	8
13	102604	BEARING CUP, OUTER	1
14	223439	GASKET, DUST CAP	1
15	223437	DUST CAP, BOLT ON	1
16	223438	SCREW, 10-32X1/2 HEX FLANGE	4
17	168859	HUB ASSY, EIGHT BOLT <b>(SERVICE KIT ONLY)</b>	

# Hitch Assemblies

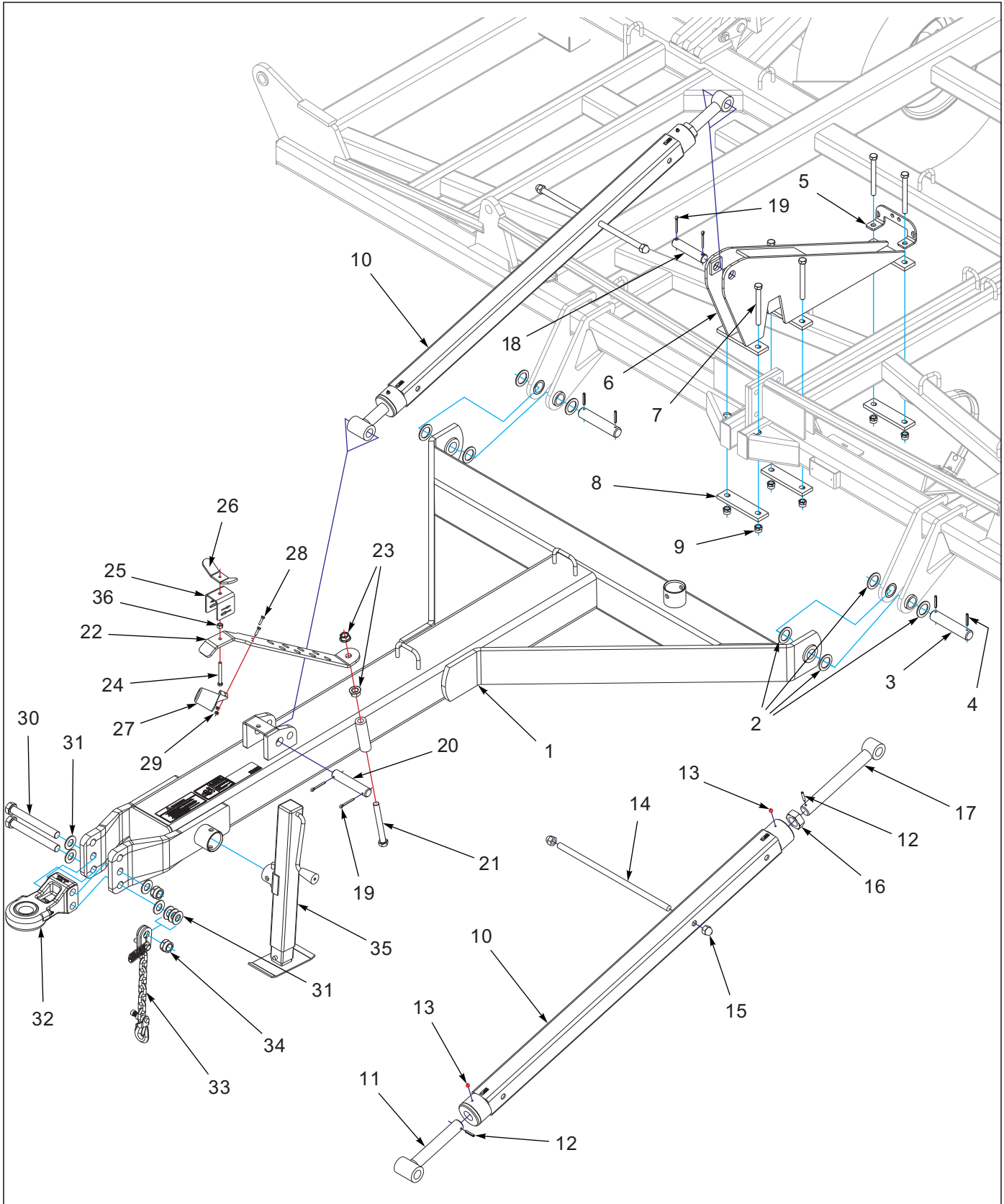


Figure 1-10: Hitch Assembly

## Hitch Assembly

ITEM	PART NO.	DESCRIPTION	QTY.
1	222160	WLDMT, TILLOLL HITCH	1
2	8-861-010021	FW 2-3/8ODX1-5/8IDX1/8 ZP	8
3	8-557-010114	HITCH PIN	2
4	1-647-010004257	PIN,SPRING,SLOTTED 3/8X2-1/2	4
5	225534	BRKT, MANIFOLD MNT	1
6	134486	MAST WLDMT 876 TILLOLL	1
7	1-654-010059-17	SCREW,HX CP,5/8-11UNCX6 GR5	6
8	100695	COULTER SUPPORT BAR PAINTED	3
9	1-512-010005-13	NUT,HEX SLFLKG GRB 5/8-11	6
10	2-615-010021	RADIUS ROD WLDMT,HITCH, 2220	1
11	2-654-010115	SCREW WLMT,LH,RADIUS ROD,2220	1
12	1-647-010004217	SPRING PIN, SLOTTED 1/4X1-1/2	2
13	1-298-010001-1	ZERK FITTING 1/4 SAE	2
14	2-360-010015	20 IN HANDLE RADIUS ROD 275	1
15	1-512-010011-19	NUT, HEX, ACORN 3/4-10, ZP	2
16	100807	NUT,HEX JAM,1-1/2-6, ZP,GR2	1
17	134446	RH SCREW WLDMT,RADIUS ROD	1
18	116360	PIN 1-1/4X5-5/8	1
19	1-557-010362-63	PIN,COTTER 1/4X2 ZP	4
20	2-557-010491	PIN, RADIUS ROD, LOWER	1
21	1-654-010061-19	SCREW,HX CP 3/4-10UNCX7 GR5	1
22	141246	BRACKET, HOSE HOLDER	1
23	103841	NUT,FLG,LNK,SERRATED 3/4-10UNC	2
24	141807	SCREW 3/8-16UNCX3-1/2 ALLTHRD	1
25	141247	CLAMP, HOSE HOLDER	1
26	141249	WING NUT, HOSE HOLDER	1
27	2-368-010287	HARNESS, STOR-A-WAY	1
28	1-654-010047-06	SCREW,HX CP 1/4-20UNCX1 GR5	2
29	1-512-010005-01	NUT,HEX,SLFLKG GRB 1/4-20	2
30	1-654-010125-22	SCREW HX CP 1-8UNCX8-1/2G8ZP <b>(CAT V HITCHES USE 3 CAP SCREWS)</b>	2
31	1-861-010032-24	WASHER FL 1IN NARROW ZP <b>(CAT V HITCHES USE 9 FLAT WASHERS)</b>	7
32	177031	HITCH, BALL CAT IV <b>(SEE PAGE 1-23)</b>	1
33	141434	SAFETY CHAIN 21,000LB	1
34	1-512-010005-19	NUT 1-8 HEX SLF-LOCKING GRB <b>(CAT V HITCHES USE 3 LOCK NUTS)</b>	2
35	140647	JACK, SIDE WIND 7000/8000 LB <b>(SEE PAGE 1-20)</b>	1
36	1-512-010007-07	NUT, HEX 3/8-16 GR2 ZP	1

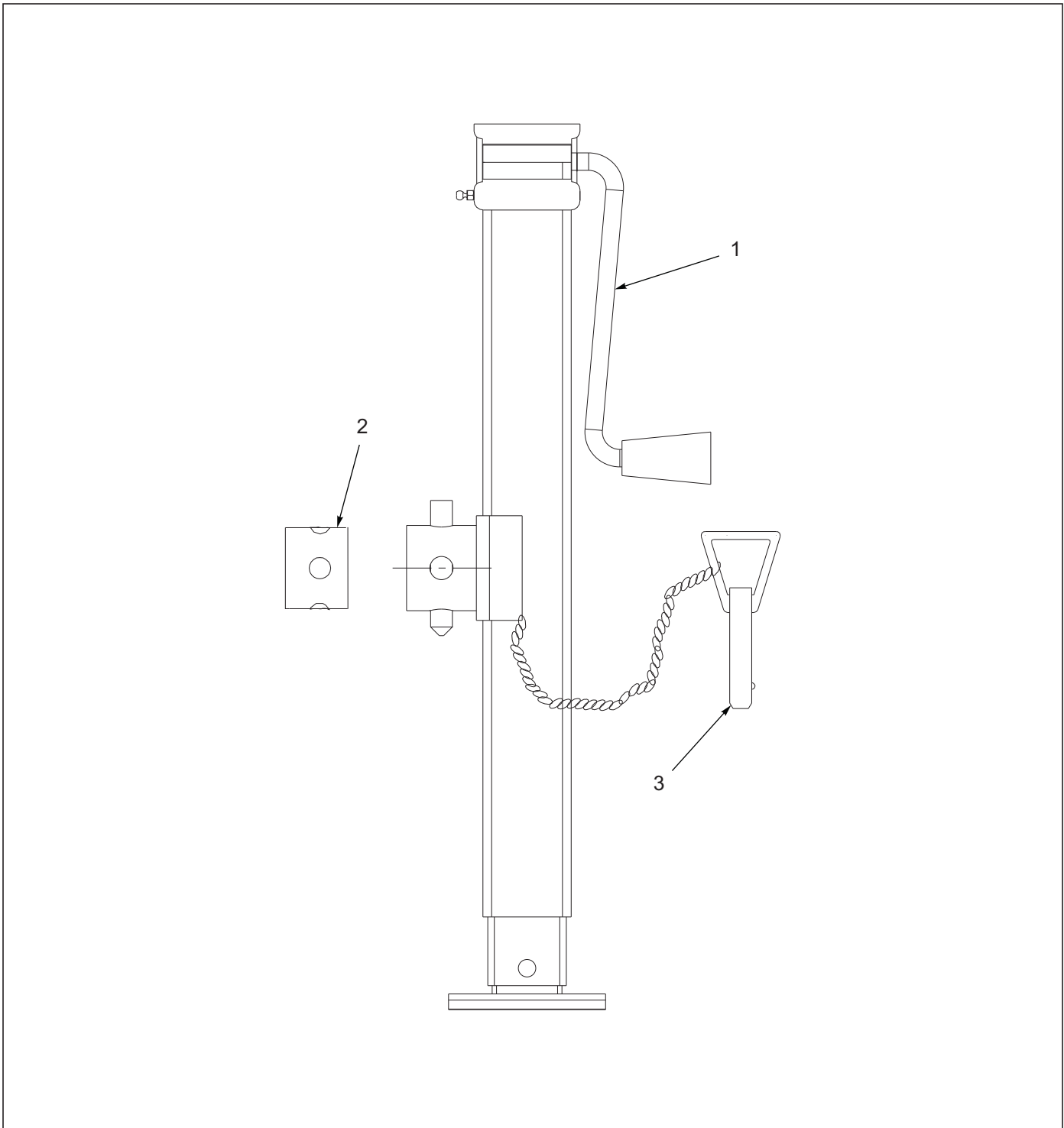


Figure 1-11: 7,000 Lb. Sidewind Jack Assembly

### 7,000 Lb. Sidewind Jack Assembly

ITEM	PART NO.	DESCRIPTION	QTY.
--	140647	JACK, SIDE WIND 7000/8000 LB	
1	500171	HANDLE FOR JACK	1
2	141250	TUBE, RD, JACK MOUNT (WELD TO IMPLEMENT FRAME)	1
3	142194	5/8" PIN	1





ILLUSTRATED PARTS LIST

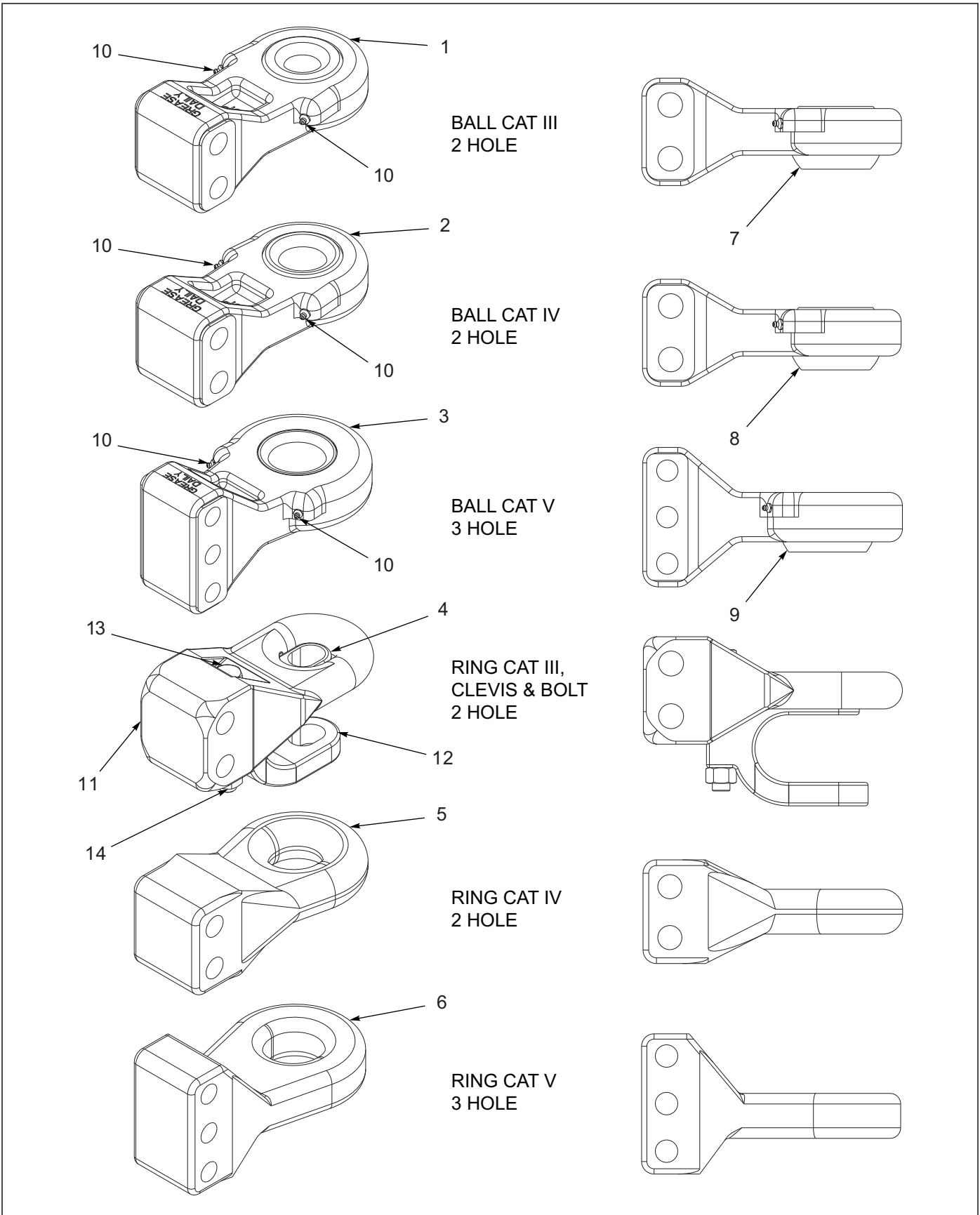


Figure 1-12: Ball & Ring Hitches

## Ball & Ring Hitches

ITEM	PART NO.	DESCRIPTION	QTY.
1	177030	HITCH, BALL CAT III (INCLUDES ITEM 10)	1
2	177031	HITCH, BALL CAT IV (INCLUDES ITEM 10)	1
3	177032	HITCH, BALL CAT V (INCLUDES ITEM 10)	1
4	100844	HITCH ASSY CAT III AND CLEVIS (INCLUDES ITEM 11-14)	1
5	2-375-010602	HITCH RING CAT IV	1
6	156949	HITCH, RING CAT V	1
7	189453	BUSHING, SPHERICAL 1-1/2 ID	1
7	189454	BUSHING, SPHERICAL 2 ID	1
8	189454	BUSHING, SPHERICAL 2 ID	1
8	189453	BUSHING, SPHERICAL 1-1/2 ID	1
9	189468	BUSHING, SPHERICAL 2-3/4 ID	1
9	189467	BUSHING, SPHERICAL 2 ID	1
10	1-298-010001-1	ZERK FITTING 1/4 SAE	2
11	2-375-010601	HITCH, RING CAT III	1
12	100214	CLEVIS, HITCH, PPI-208	1
13	1-654-010087-16	SCREW, HEX CAP, 3/4-16X5.50 GR8	1
14	1-512-010008-12	NUT, HEX 3/4-16 UNF GRB	1

# Fold Assemblies

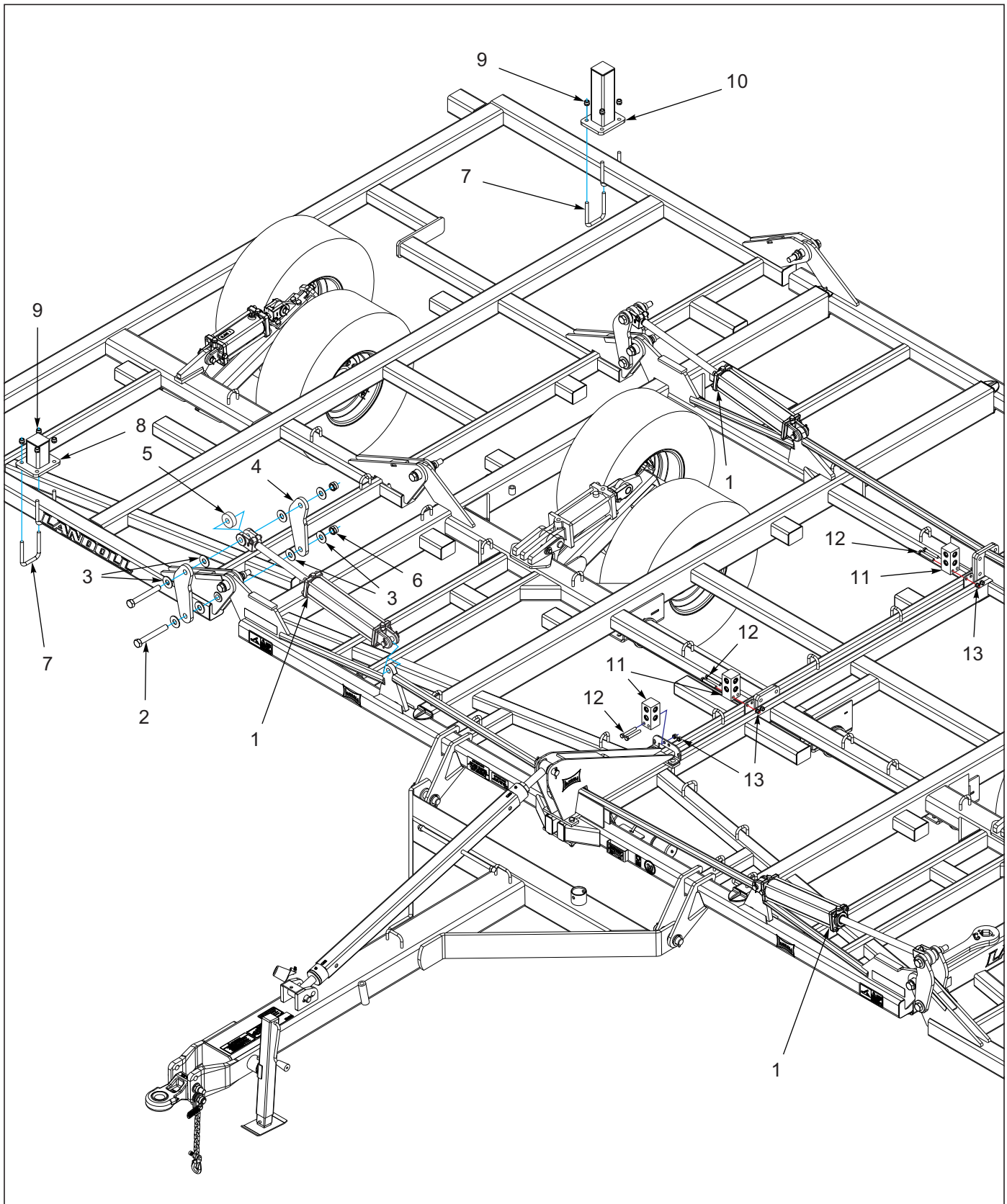


Figure 1-13: Fold Assembly 877-30'

## Fold Assembly 877-30'

ITEM	PART NO.	DESCRIPTION	QTY.
1	1-242-010179-2	CYLINDER,HYD 3-1/2X16 3000PSI (SEE PAGE 1-60)	4
2	1-654-010125-20	SCREW,1-8UNCX7-1/2 HX CP GR8	8
3	1-861-010032-25	WASHER FL 1IN WIDE ZP	32
4	2-120-010136	BRKT WING FOLD WSMII	8
5	8-276-010195	ROLLER WING EXTENSION	4
6	1-512-010005-19	NUT 1-8 HEX SLF-LOCKING GRB	4
7	6-102-010009	U-BOLT RIGID GA WHEEL	8
8	2-276-010240	SHORT WING SUPPORT WLDMT	2
9	1-512-010005-13	NUT,HEX SLFLKG GRB 5/8-11	16
10	8-276-010334	WING SUPPORT WLDMT	2
11	2-474-010022	MANIFOLD HYDRAULIC, 8 HOSE	3
12	1-654-010055-11	SCREW,HX CP 1/2-13UNCX3-1/2	6
13	1-512-010005-09	NUT,HEX,SLFLKG, 1/2-13 GRB	6

ILLUSTRATED PARTS LIST

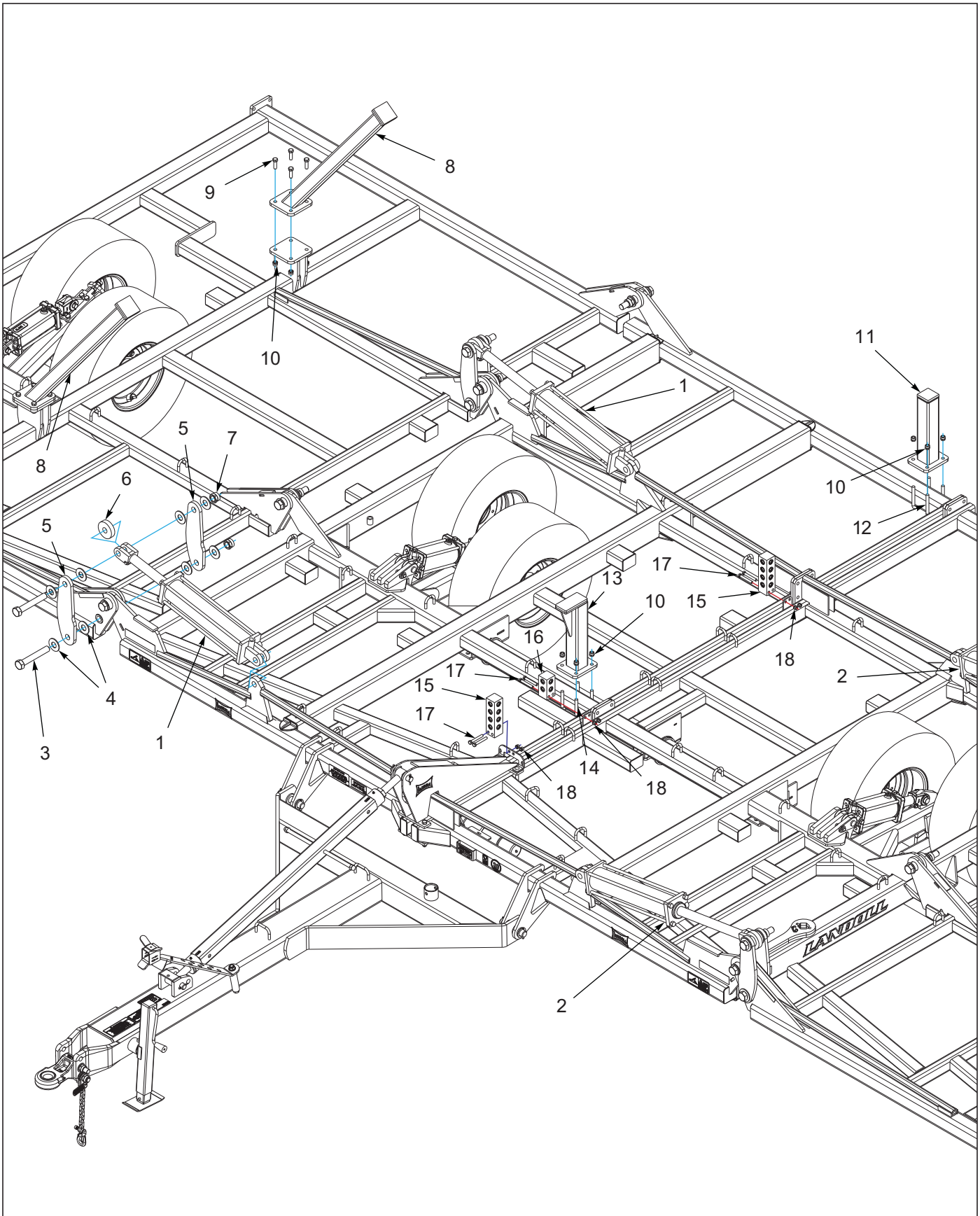


Figure 1-14: Fold Assembly 877-35'

## Fold Assembly 877-35'

ITEM	PART NO.	DESCRIPTION	QTY.
1	107899	CYLINDER, 4-1/2X16 SIDE PORT (SEE PAGE 1-61) (RH WING)	2
2	108265	CYLINDER, 4-1/2X20 SIDE PORT (SEE PAGE 1-62) (LH WING)	2
3	1-654-010123-01	SCREW,CAP,SPEC.,1-1/4-7X8G8	8
4	1-861-010032-29	WASHER, FLAT 1-1/4 W ZP/CD	32
5	162536	PLATE, WING FOLD 876 HF	8
6	2-645-010067	ROLLER,WING EXTENSION 2220F	4
7	101385	NUT,HEX SLFLKG,1-1/4-7 GRB	4
8	229581	WING STAND, 877-35 RH WLDMT	2
9	1-654-010059-05	SCREW,HEX CAP,5/8-11UNCX2 GR5	8
10	1-512-010005-13	NUT,HEX SLFLKG GRB 5/8-11	16
11	114002	WING SUPPORT TILLOLL 40' WLDMT	1
12	6-102-010009	U-BOLT RIGID GA WHEEL	2
13	225506	WING SUPPORT 35'LH FRONT WLDMT	1
14	5J914	U-BOLT 5/8 X 4-1/2 X 4-11/16	2
15	141594	MANIFOLD, HYDRAULIC 16 PORT	2
16	2-474-010022	MANIFOLD HYDRAULIC, 8 HOSE	1
17	1-654-010055-11	SCREW,HX CP 1/2-13UNCX3-1/2	6
18	1-512-010005-09	NUT,HEX,SLFLKG, 1/2-13 GRB	6

ILLUSTRATED PARTS LIST

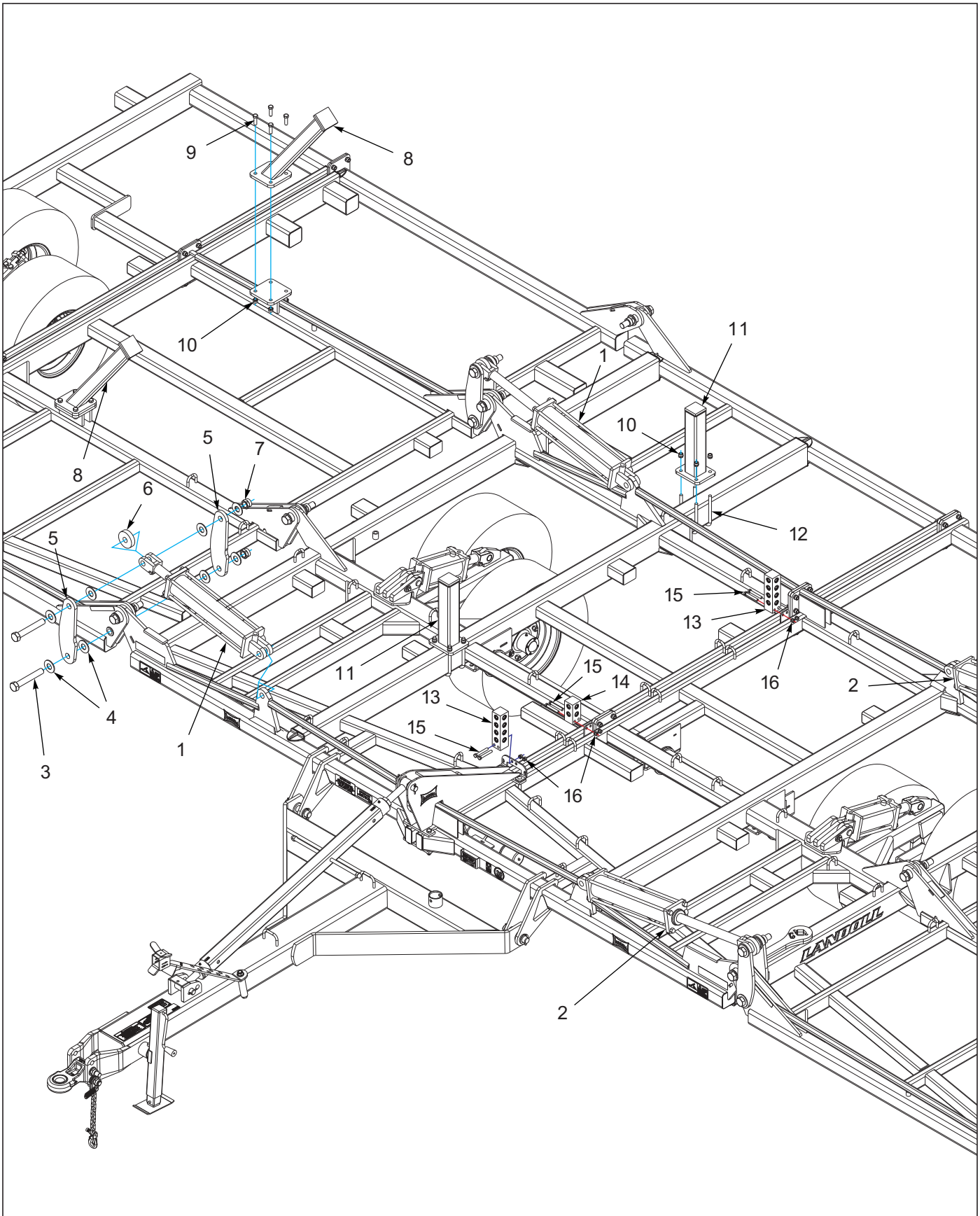


Figure 1-15: Fold Assembly 877-40'



## Fold Assembly 877-40'

ITEM	PART NO.	DESCRIPTION	QTY.
1	107899	CYLINDER, 4-1/2X16 SIDE PORT (SEE PAGE 1-61) (RH WING)	2
2	108265	CYLINDER, 4-1/2X20 SIDE PORT (SEE PAGE 1-62) (LH WING)	2
3	1-654-010123-01	SCREW,CAP,SPEC.,1-1/4-7X8G8	8
4	1-861-010032-29	WASHER, FLAT 1-1/4 W ZP/CD	32
5	162536	PLATE, WING FOLD 876 HF	8
6	2-645-010067	ROLLER,WING EXTENSION 2220F	4
7	101385	NUT,HEX SLFLKG,1-1/4-7 GRB	4
8	229578	WING STAND, 877-40 RH WLDMT	2
9	1-654-010059-05	SCREW,HEX CAP,5/8-11UNCX2 GR5	8
10	1-512-010005-13	NUT,HEX SLFLKG GRB 5/8-11	16
11	114002	WING SUPPORT TILLOLL 40' WLDMT	2
12	2-102-010037	U-BOLT CENTER SCRAPER	4
13	141594	MANIFOLD, HYDRAULIC 16 PORT	2
14	2-474-010022	MANIFOLD HYDRAULIC, 8 HOSE	1
15	1-654-010055-11	SCREW,HX CP 1/2-13UNCX3-1/2	6
16	1-512-010005-09	NUT,HEX,SLFLKG, 1/2-13 GRB	6

# Disc Gang Assemblies

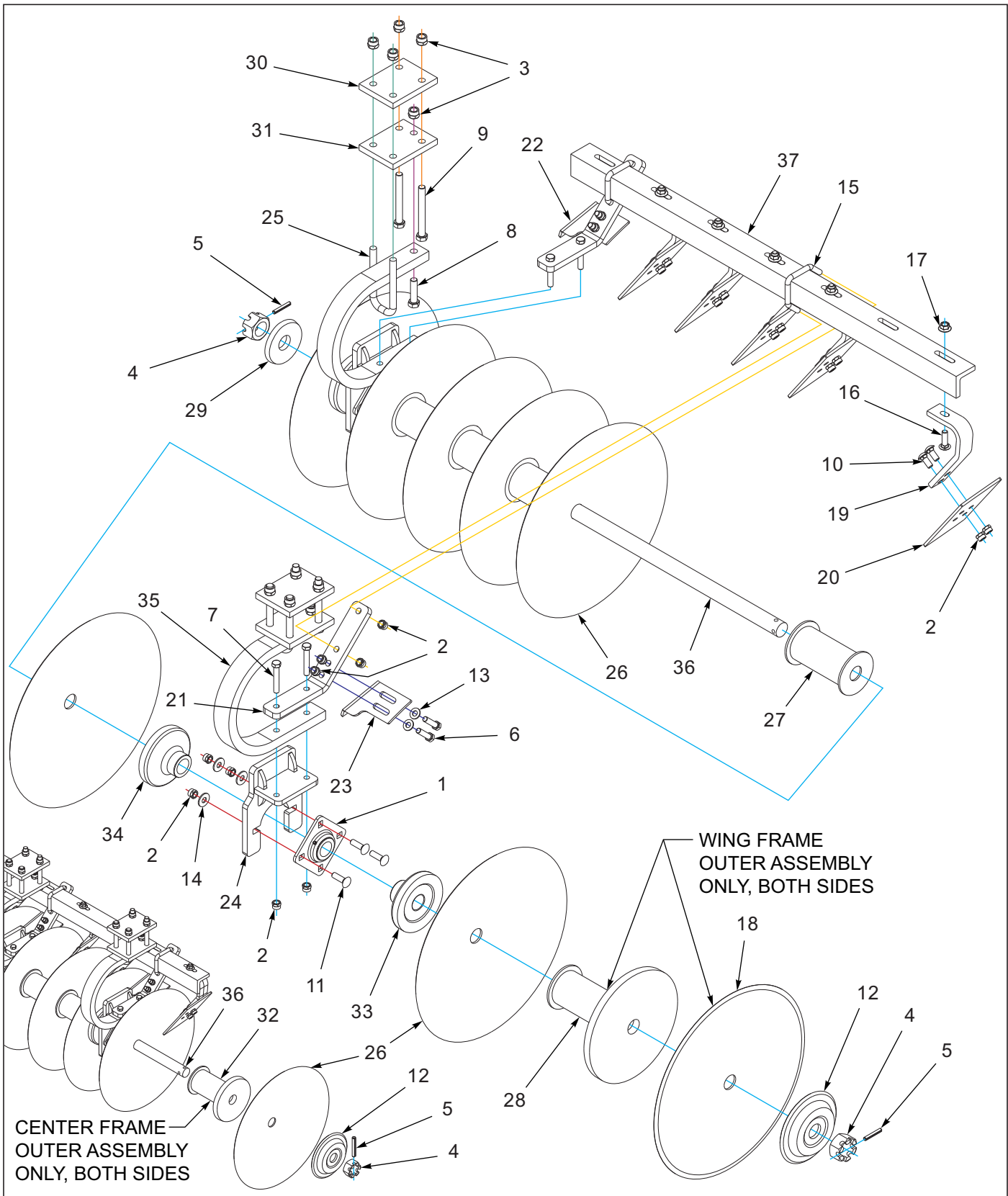


Figure 1-16: Disc Gang Assembly

## Disc Gang Assembly

ITEM	PART NO.	DESCRIPTION	QTY.		
--	222140	DISC ASSY, 877-30' (SEE PAGE 1-32)	*		
--	222116	DISC ASSY, 877-35' (SEE PAGE 1-33)	*		
--	216142	DISC ASSY, 877-40' (SEE PAGE 1-34)	*		
1	1-065-010011	BEARING FLANGED 1-1/2ID	12	14	16
2	1-512-010005-09	NUT,HEX,SLFLKG, 1/2-13 GRB	168	194	224
3	1-512-010005-13	NUT,HEX SLFLKG GRB 5/8-11	60	70	80
4	1-516-010001-27	NUT,HX SLOT 1-1/2-6 ZP	8	12	12
5	1-647-010004257	PIN,SPRING,SLOTTED 3/8X2-1/2	8	12	12
6	1-654-010055-05	SCREW,HEX CAP,1/2-13UNCX2 GR5	24	28	32
7	1-654-010055-09	SCREW,HX CP,1/2-13UNCX3 GR5	24	28	32
8	1-654-010059-07	SCREW HX CP 5/8-11UNCX2-1/2G5	12	14	16
9	1-654-010059-16	SCREW,HEX CAP,5/8-11UNCX5.50	24	28	32
10	1-654-010070-02	SCREW 1/2-13X1-1/4 RD HD SQNK	60	68	80
11	1-654-010070-04	SCREW RDHD SQNK 1/2-13X1-3/4	36	42	48
12	1-861-010006	SPRING WASHER DISC GANG	4	6	6
13	1-861-010032-14	WASHER, FLAT 1/2" N ZP/CD	24	28	32
14	1-861-010032-15	WASHER, FLAT 1/2 W ZP/CD	36	42	48
15	140487	UBOLT, SCRAPER BAR MOUNT	12	14	16
16	160161	SHAKER BOLT1/2-13X1-3/4 GR8ZP	30	34	40
17	172509	NUT,1/2-13 WIDE FLNG TOP LCK F	30	34	40
18	2-217-010031	COULTER BLADE	2	2	2
19	216129	ARM, SCRAPER	30	34	40
20	216130	SCRAPER, 4" REV	30	34	40
21	216133	MOUNT, SCRAPER BAR STR	12	14	16
22	216134	SCRAPER, DUAL RH	6	7	8
23	216135	SCRAPER, DUAL LH	6	7	8
24	216136	WLDMT, BEARING MNT	12	14	16
25	8-102-010021	U BOLT DISC MOUNT	12	14	16
26	8-253-010002	DISC BLADE 20IN	44	52	60
27	8-253-010007	SPOOL ASSY DISC GANG WLDMT	26	30	36
28	8-253-010010	SPOOL, OUTSIDE WLDMT	2	2	2
29	8-253-010012	HEAVY DISC WASHER	4	6	6
30	8-253-010040	4 HOLE PLATE DISC MOUNT 875	12	14	16
31	8-253-010041	5 HOLE PLATE DISC MOUNT 875	12	14	16
32	8-253-010043	END SPOOL, WING MAIN FRAME WLD	2	2	2
33	8-253-010049	HALF SPOOL CONCAVE	12	14	16
34	8-253-010050	HALF SPOOL CONVEX FLG	12	14	16
35	8-683-010020	SPRING SHANK DISC MOUNT	12	14	16
36	8-253-010021	DISC ROD MAIN FRAME DISC 30FT	2	6	2
36	8-253-010022	DISC ROD WING FRAME DISC 30FT	2	--	--
36	8-253-010028	DISC ROD WING FRAME 25FT 6IN	--	2	2
36	8-253-010037	DISC ROD 18 FT MAIN FRAME	--	2	--
36	8-253-010027	DISC ROD MAIN FRAME 25FT 6IN	--	--	2
37	179770	SCRAPER BAR, 7-1/2 SP 10 HOLE	2	--	2
37	179771	SCRAPER BAR, 7-1/2 SP 11 HOLE	2	2	2
37	179766	SCRAPER BAR, 7-1/2 SP 6 HOLE	--	2	--
37	179767	SCRAPER BAR, 7-1/2 SP 7 HOLE	--	2	2

ILLUSTRATED PARTS LIST

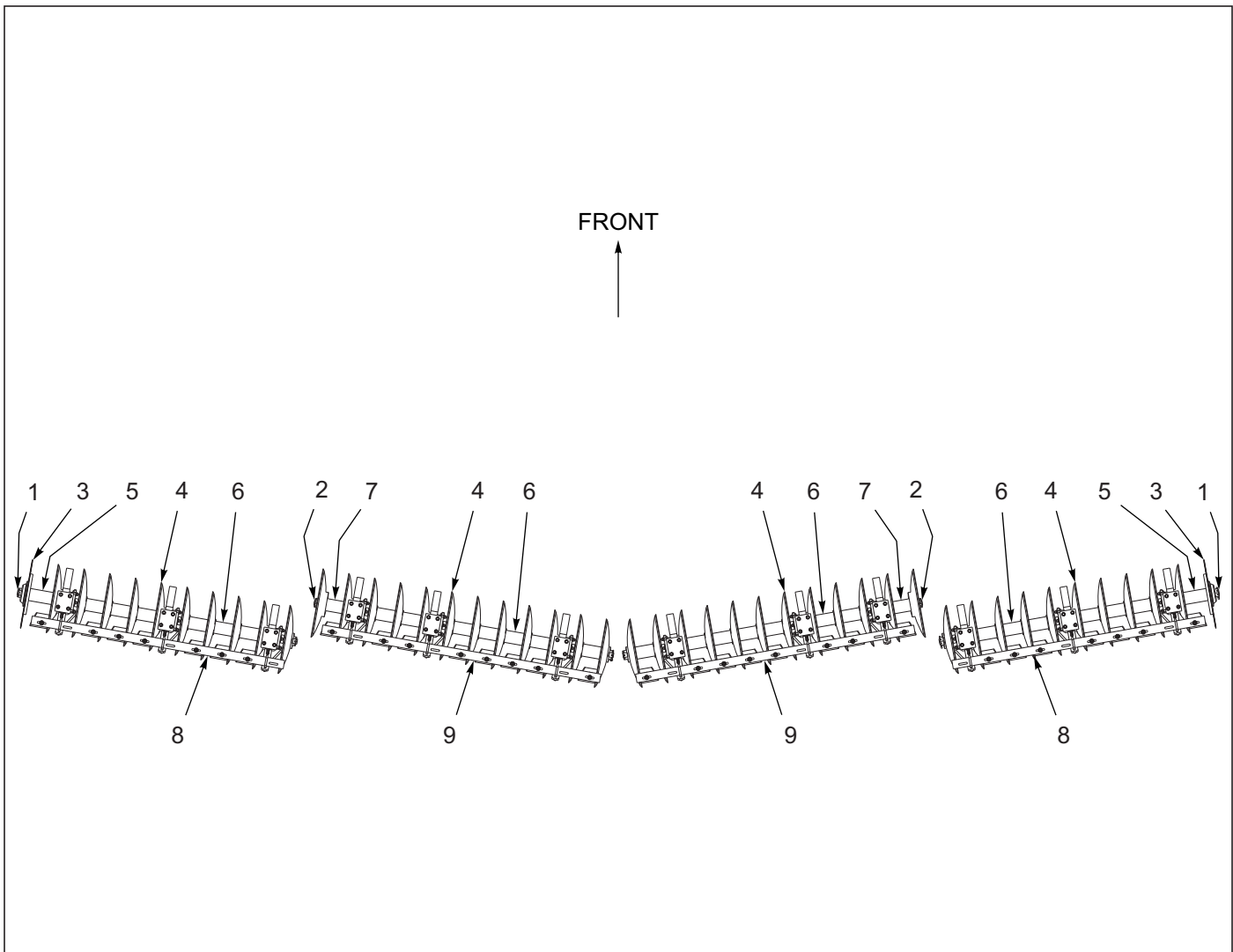


Figure 1-17: Disc Gang Layout 877-30'

**Disc Gang Layout 877-30'**

ITEM	PART NO.	DESCRIPTION	QTY.
--	222140	DISC ASSY, 877-30'	
1	8-253-010022	DISC ROD WING FRAME DISC 30FT	2
2	8-253-010021	DISC ROD MAIN FRAME DISC 30FT	2
3	2-217-010031	COULTER BLADE	2
4	8-253-010002	DISC BLADE 20IN	44
5	8-253-010010	SPOOL, OUTSIDE WLDMT	2
6	8-253-010007	SPOOL ASSY DISC GANG WLDMT	26
7	8-253-010043	END SPOOL, WING MAIN FRAME WLD	2
8	179770	SCRAPER BAR, 7-1/2 SP 10 HOLE	2
9	179771	SCRAPER BAR, 7-1/2 SP 11 HOLE	2

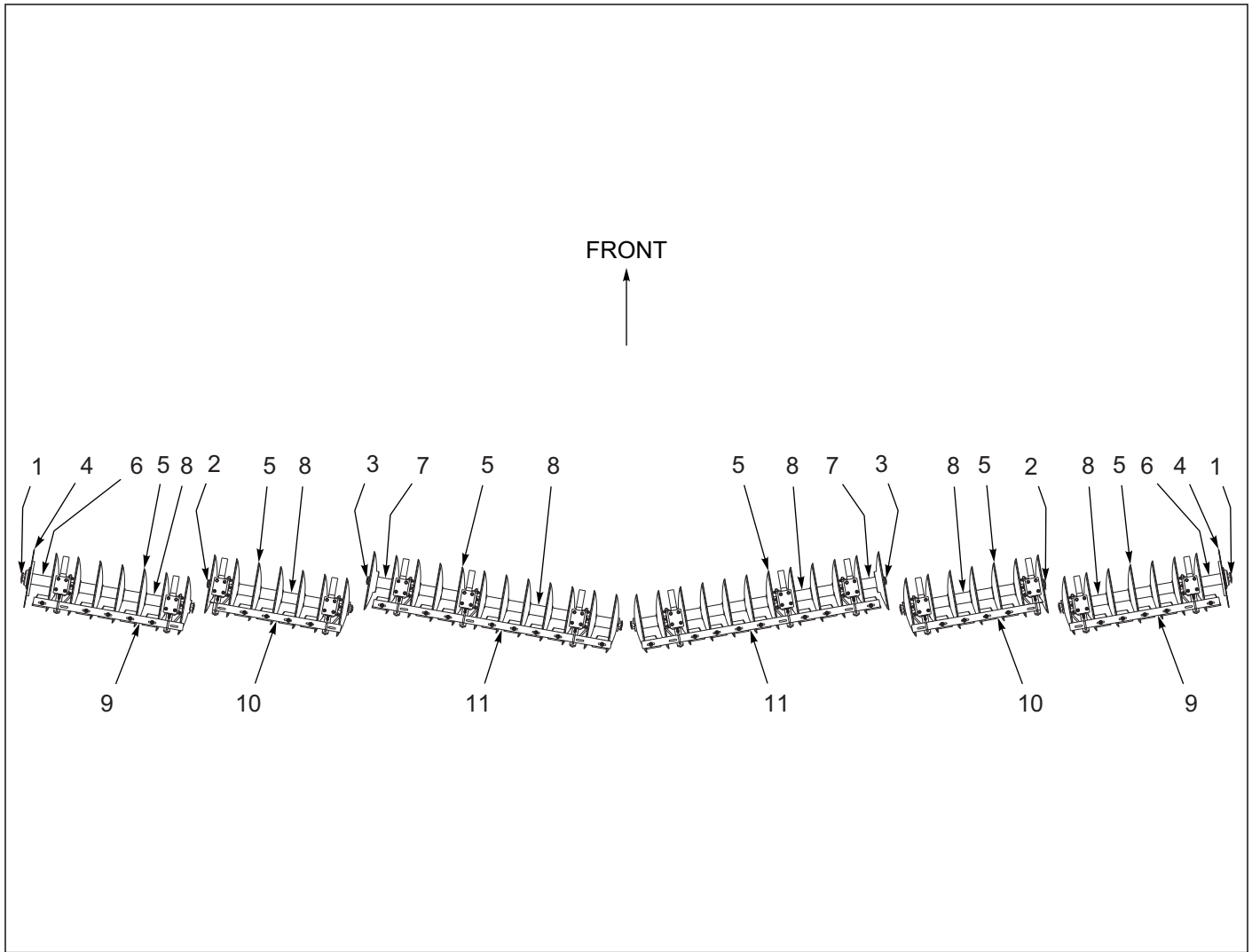


Figure 1-18: Disc Gang Layout 877-35'

### Disc Gang Layout 877-35'

ITEM	PART NO.	DESCRIPTION	QTY.
--	222116	DISC ASSY, 877-35'	
1	8-253-010028	DISC ROD WING FRAME 25FT 6IN	2
2	8-253-010037	DISC ROD 18 FT MAIN FRAME	2
3	8-253-010021	DISC ROD MAIN FRAME DISC 30FT	2
4	2-217-010031	COULTER BLADE	2
5	8-253-010002	DISC BLADE 20IN	52
6	8-253-010010	SPOOL, OUTSIDE WLDMT	2
7	8-253-010043	END SPOOL, WING MAIN FRAME WLD	2
8	8-253-010007	SPOOL ASSY DISC GANG WLDMT	30
9	179767	SCRAPER BAR, 7-1/2 SP 7 HOLE	2
10	179766	SCRAPER BAR, 7-1/2 SP 6 HOLE	2
11	179771	SCRAPER BAR, 7-1/2 SP 11 HOLE	2

ILLUSTRATED PARTS LIST

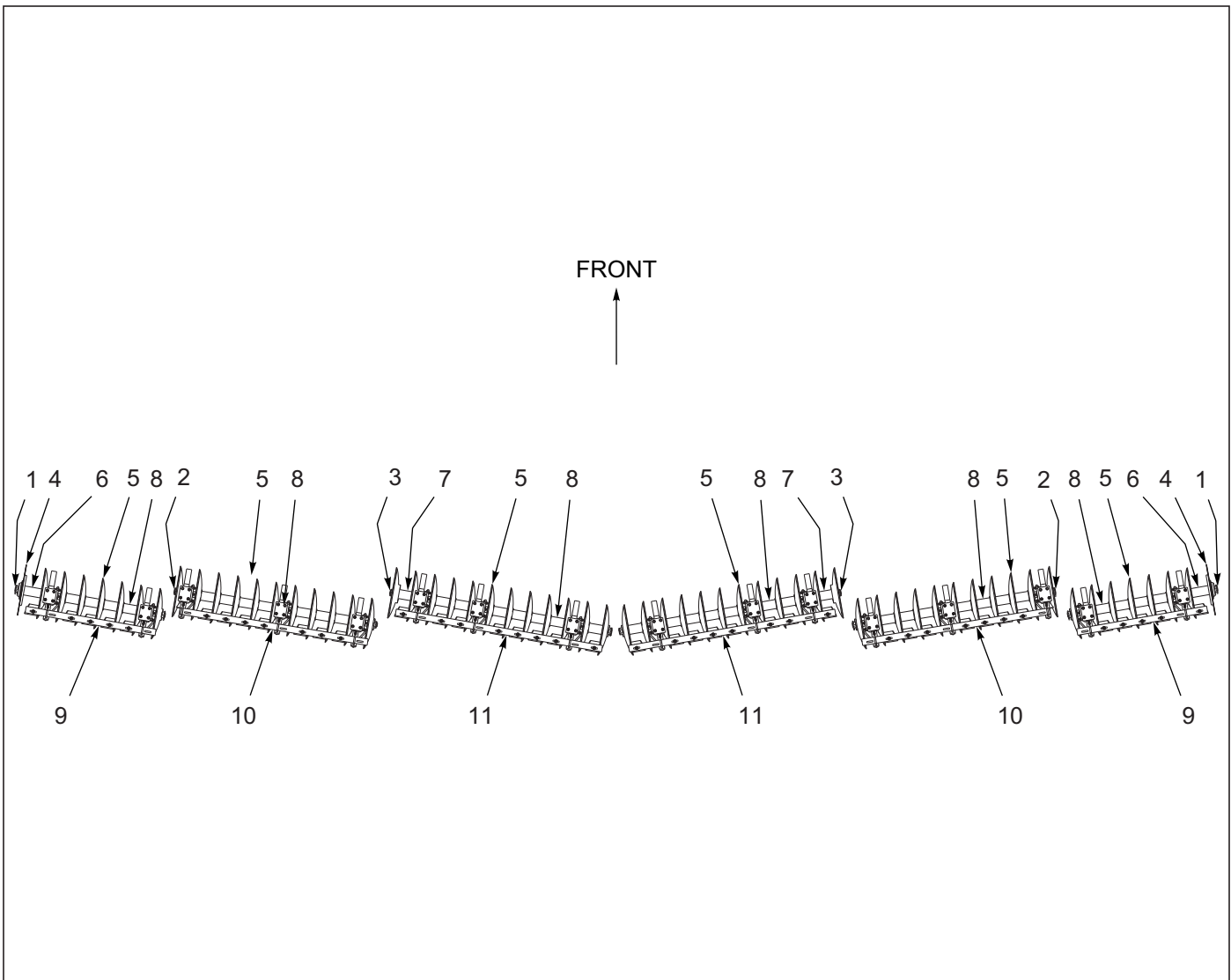


Figure 1-19: Disc Gang Layout 877-40'

Disc Gang Layout 877-40'

ITEM	PART NO.	DESCRIPTION	QTY.
--	216142	DISC ASSY, 877-40	
1	8-253-010028	DISC ROD WING FRAME 25FT 6IN	2
2	8-253-010027	DISC ROD MAIN FRAME 25FT 6IN	2
3	8-253-010021	DISC ROD MAIN FRAME DISC 30FT	2
4	2-217-010031	COULTER BLADE	2
5	8-253-010002	DISC BLADE 20IN	60
6	8-253-010010	SPOOL, OUTSIDE WLDMT	2
7	8-253-010043	END SPOOL, WING MAIN FRAME WLD	2
8	8-253-010007	SPOOL ASSY DISC GANG WLDMT	36
9	179767	SCRAPER BAR, 7-1/2 SP 7 HOLE	2
10	179770	SCRAPER BAR, 7-1/2 SP 10 HOLE	2
11	179771	SCRAPER BAR, 7-1/2 SP 11 HOLE	2



# Disc Gang Shields

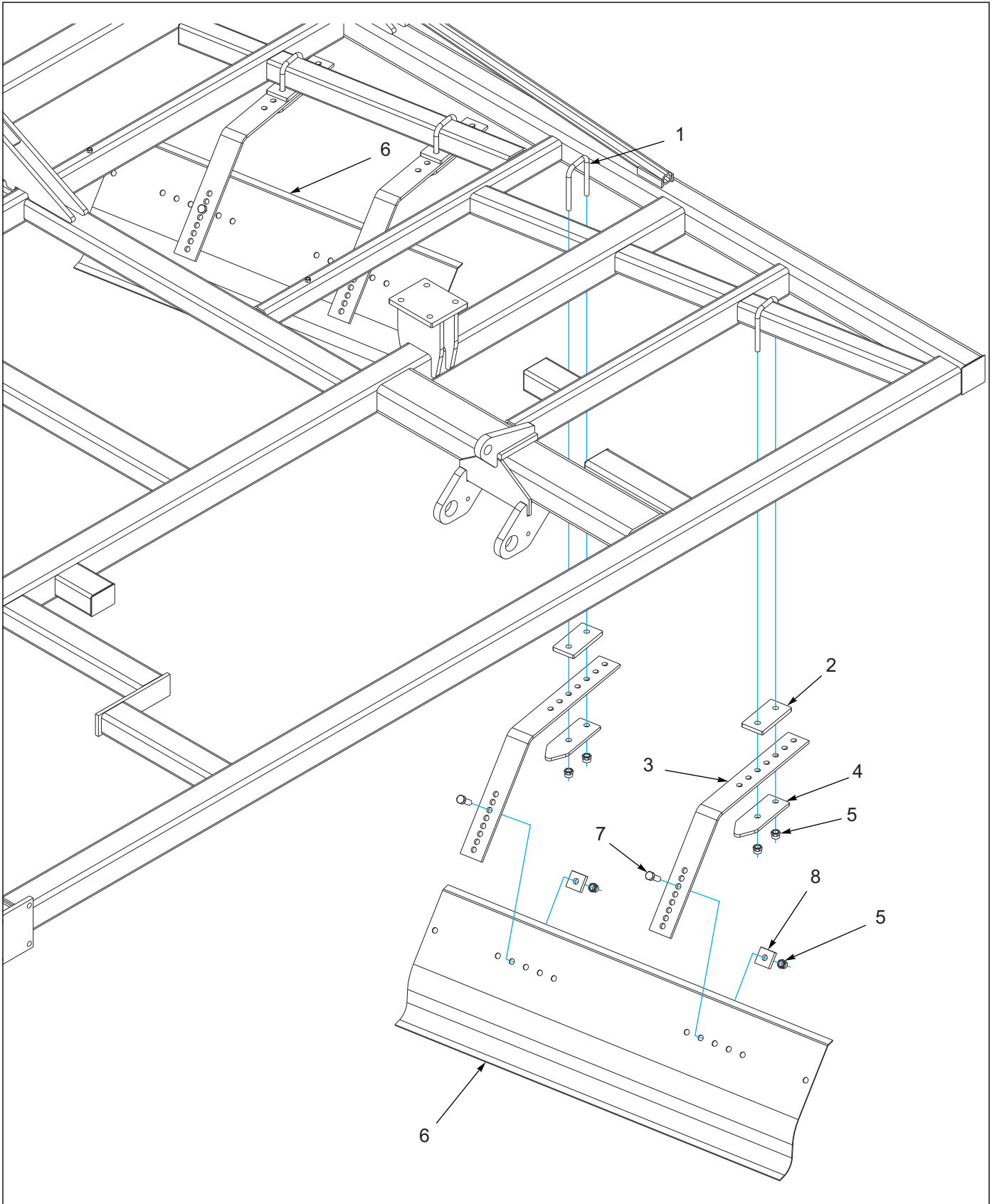


Figure 1-20: Disc Gang Shield Assembly



## Disc Gang Shield Assembly

ITEM	PART NO.	DESCRIPTION	QTY.		
--	----	877-30' Disc Gang Shield	*		
--	----	877-35' Disc Gang Shield		*	
--	----	877-40' Disc Gang Shield			*
1	8-102-010023	U-BOLT SPRING CLAMP 1400	12	14	16
2	218910	PLATE, SPRAY SHIELD BRKT	12	14	16
3	8-681-010008	ADJ BRACKET SPRAY SHIELD 875	12	14	16
4	218908	SUPT PLATE, SHIELD BRKT	12	14	16
5	1-512-010005-13	NUT,HEX SLFLKG GRB 5/8-11	36	42	48
6	8-681-010011	SPRAY SHIELD 83 IN 875 ( <b>877-30, 877-35 &amp; 877-40 MAIN FRAME</b> )	2	2	2
6	8-681-010009	SPRAY SHIELD 76IN 875 ( <b>877-30 WING &amp; 877-40 INNER WING</b> )	2	--	2
6	8-681-010012	SPRAY SHIELD 55 IN 875 ( <b>877-35 OUTER WING &amp; 877-40 OUTER WING</b> )	--	2	2
6	8-681-010013	SPRAY SHIELD 48 IN 875 ( <b>877-35 INNER WING</b> )	--	2	--
7	1-654-010059-05	SCREW,HEX CAP,5/8-11UNCX2 GR5	12	14	16
8	8-681-010010	BACKUP PLATE	12	14	16

# Shank Assemblies

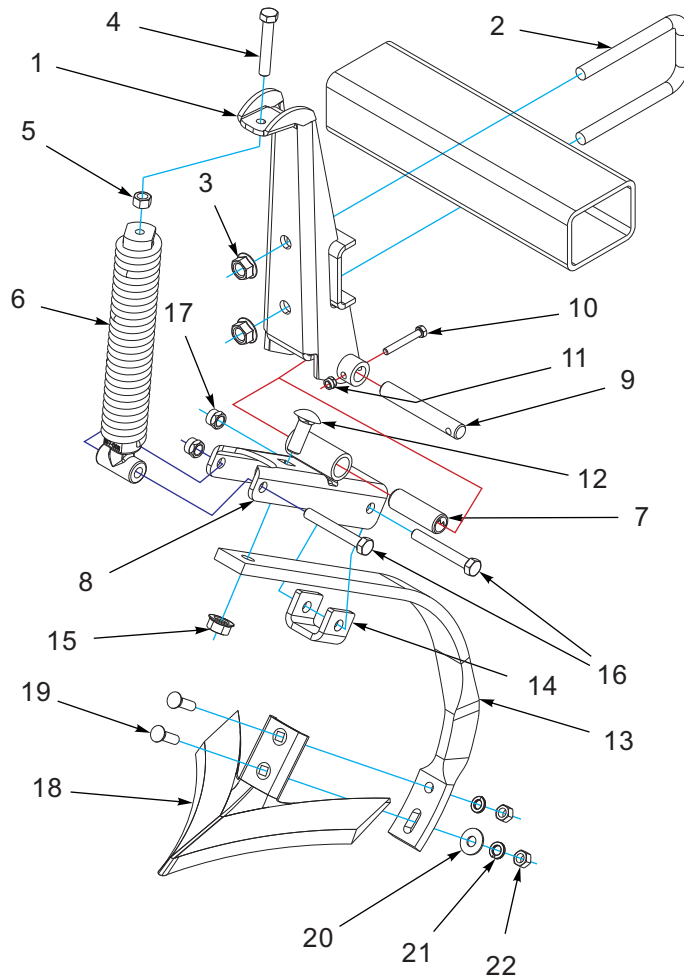


Figure 1-21: Spring Shank Assembly (Before 08-01-2020)

## Spring Shank Assembly (Before 08-01-2020)

ITEM	PART NO.	DESCRIPTION	QTY.
--	222157	SHANK ASSY, TILLOLL SPRING	
1	2-183-010090	CLAMP,WLDMT,UPPER SPRING CLMP	1
2	8-102-010043	U-BOLT, SPING CLAMP	1
3	100827	NUT,FLG HD,SERRATED,5/8-11	2
4	8-105-010006	CAPSCREW 1/2X13X3 F THD GR5	1
5	1-512-010007-09	NUT, HEX 1/2-13 GR2 ZP	1
6	8-183-010058	ASSY FIELD CULT SPRING	1
7	2-150-010058	SPRING BUSHING 1X3/4X3	1
8	178474	WLDMT, SPRING CLAMP <b>(INCLUDES ITEM NO. 7)</b>	1
9	2-557-010517	PIN,SPRING CLAMP, 850	1
10	108628	SCREW HX CP 5/16-18UNCX2-1/4	1
11	1-512-010005-03	NUT HEX SLFLKG GRB 5/16-18	1
12	133662	SCRW RDHD SHT SQNK5/8-11X1.75	1
13	2-683-010079	SHANK "C" EDGE BENT	1
14	178475	CLAMP, SHANK	1
15	29SFFL 5811	NUT,FLANGE HEAD LOCK5/8-11UNC	1
16	8-105-010004	1/2IN PIVOT BOLT SPRING CLAMP	2
17	1-512-010005-09	NUT,HEX,SLFLKG, 1/2-13 GRB	2
18	2-689-010057	SWEEP 1/4X10 ULTRAWING	1
18	8-689-010009	SWEEP 10 IN 810-800A	1
19	7/16-14X1-1/2PW	PLOW BOLT ZP GR5	2
20	1-861-010032-13	WASHER FLAT 7/16	1
21	1-861-010034-12	WASHER,LOCKING HLC SPG 7/16	2
22	1-512-010007-08	NUT, HEX 7/16-14 GR2 ZP	2

ILLUSTRATED PARTS LIST

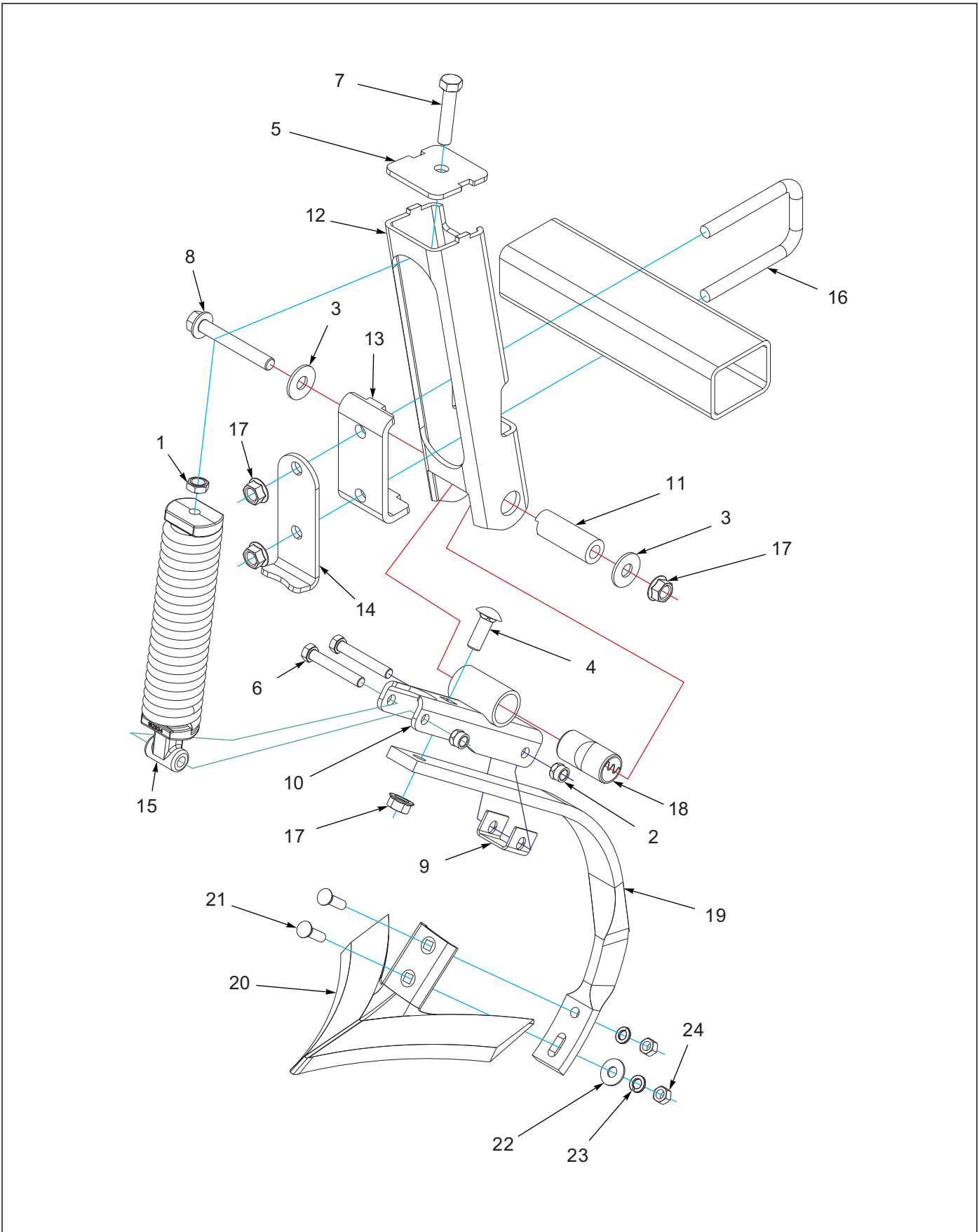


Figure 1-22: Spring Shank Assembly (After 08-01-2020)

## Spring Shank Assembly (After 08-01-2020)

ITEM	PART NO.	DESCRIPTION	QTY.
--	225540	SHANK ASSY, SPRING, 3 X 4 TUBE	
1	1-511-010001-07	NUT, HEX JAM 5/8-11	1
2	1-512-010005-09	NUT,HEX,SLFLKG, 1/2-13 GRB	2
3	1-861-010032-19	WASHER, FLAT 5/8 W ZP/CD	2
4	133662	SCRW RDHD SHT SQNK5/8-11X1.75	1
5	162906	PLATE, SPRING	1
6	164146	SCREW, HEX CAP 1/2-13X3-1/4	2
7	164147	SCREW HX CAP5/8-11X3 2-1/2THD	1
8	164192	SCREW 5/8-11UNCX4-1/2 FLG HD	1
9	166160	CLAMP, SHANK	1
10	172667	CLAMP, SHANK	1
11	172671	BUSHING, CLAMP	1
12	225541	SQ TUBE, SHANK MOUNT	1
13	225542	CLAMP, SHANK MOUNT	1
14	225543	STOP, SHANK MOUNT	1
15	225544	SPRING ASSY, 13-1/8 EXTENSION	1
16	229555	U-BOLT, 5/8 X 3-11/16 X 5-3/4	1
17	29SFFL 5811	NUT,FLANGE HEAD LOCK5/8-11UNC	4
18	172672	BUSHING 1-1/2 X 1-1/4 X2-15/16	1
19	2-683-010079	SHANK "C" EDGE BENT	1
20	2-689-010057	SWEEP 1/4X10 ULTRAWING	1
20	8-689-010009	SWEEP 10 IN 810-800A	1
21	7/16-14X1-1/2PW	PLOW BOLT ZP GR5	2
22	1-861-010032-13	WASHER FLAT 7/16	1
23	1-861-010034-12	WASHER,LOCKING HLC SPG 7/16	2
24	1-512-010007-08	NUT, HEX 7/16-14 GR2 ZP	2

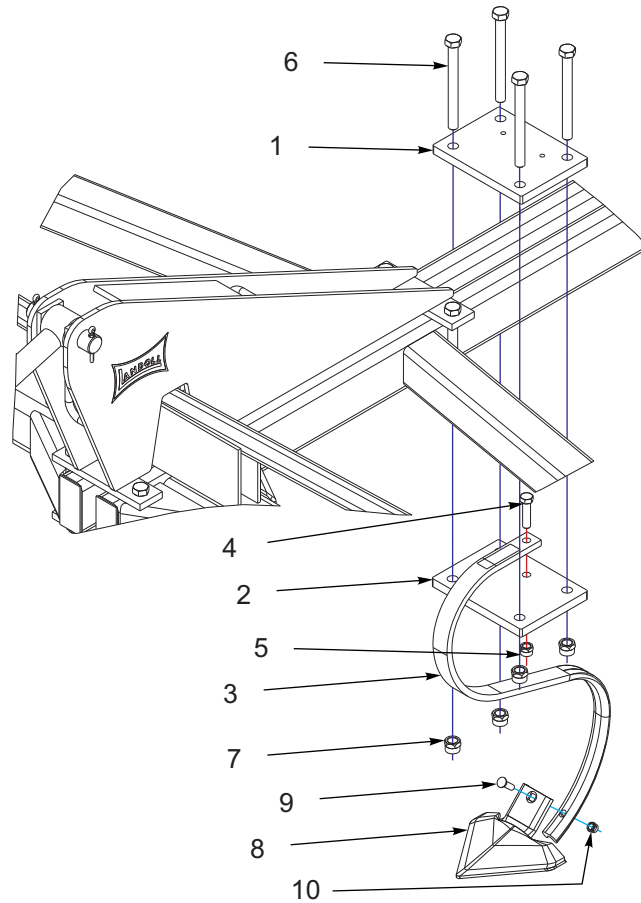


Figure 1-23: S-Tine Shank Assembly

---

**S-Tine Shank Assembly**

ITEM	PART NO.	DESCRIPTION	QTY.
--	B4-182-005	CLAMP, CENTER SHANK	
1	8-182-010023	MOUNTING BRACKET	1
2	8-182-010022	CENTER SHANK MOUNT	1
3	8-683-010021	CENTER SHANK	1
4	1-654-010055-05	SCREW,HEX CAP,1/2-13UNCX2 GR5	1
5	1-512-010005-09	NUT,HEX,SLFLKG, 1/2-13 GRB	1
6	107-0018	HHCS 5/8-11X6-1/2LG GR5	4
7	1-512-010005-13	NUT,HEX SLFLKG GRB 5/8-11	4
8	8-689-010010	7IN DANISH SWEEP VS-7	1
9	3/8-16X1-1/2PB	BOLT PLOW 3/8 NO. 8 HEAD	2
10	1-512-010005-05	NUT, HEX, SLFLKG GRB 3/8-16	2

# Reel & Harrow Assemblies

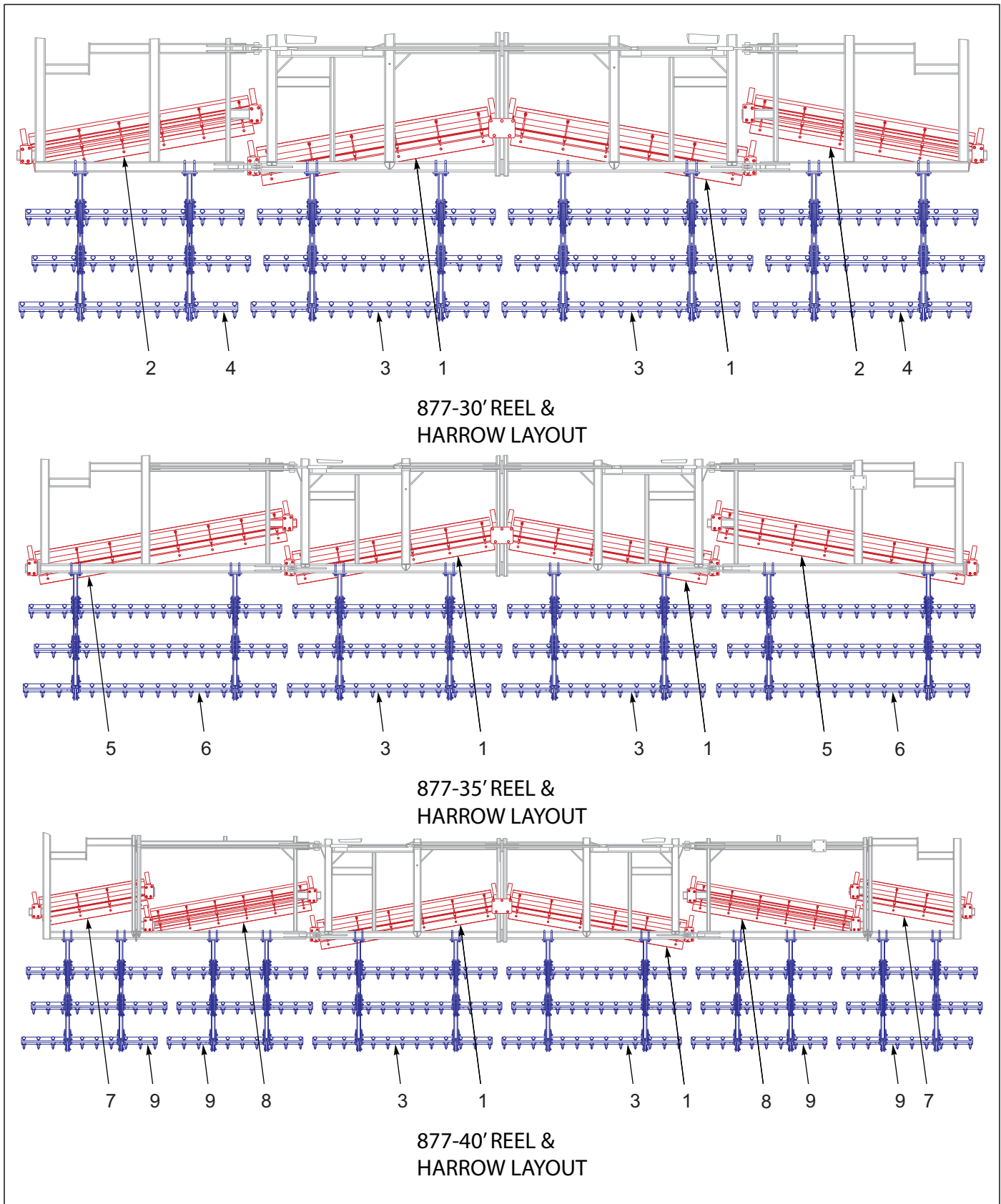


Figure 1-24: Chopper Reel Layout



## Reel & Harrow Layout

ITEM	PART NO.	DESCRIPTION	QTY.		
--	-----	REEL & HARROW LAYOUT 877-30'	*		
--	-----	REEL & HARROW LAYOUT 877-35'		*	
--	-----	REEL & HARROW LAYOUT 877-40'			*
1	-----	REEL ASSEMBLY 91" (SEE 1-47 THRU 1-49)	2	2	2
2	-----	REEL ASSEMBLY 86-1/2" (SEE 1-47 THRU 1-49)	2	--	--
3	-----	HARROW ASSEMBLY 92-1/2" (SEE PAGE 1-51)	2	2	2
4	-----	HARROW ASSEMBLY 85" (SEE PAGE 1-51)	2	--	--
5	-----	REEL ASSEMBLY 114" (SEE 1-47 THRU 1-49)	--	2	--
6	-----	HARROW ASSEMBLY 115" (SEE PAGE 1-51)	--	2	--
7	-----	REEL ASSEMBLY 55" (SEE 1-47 THRU 1-49)	--	--	2
8	-----	REEL ASSEMBLY 82" (SEE 1-47 THRU 1-49)	--	--	2
9	-----	HARROW ASSEMBLY 70" (SEE PAGE 1-51)	--	--	4

ILLUSTRATED PARTS LIST

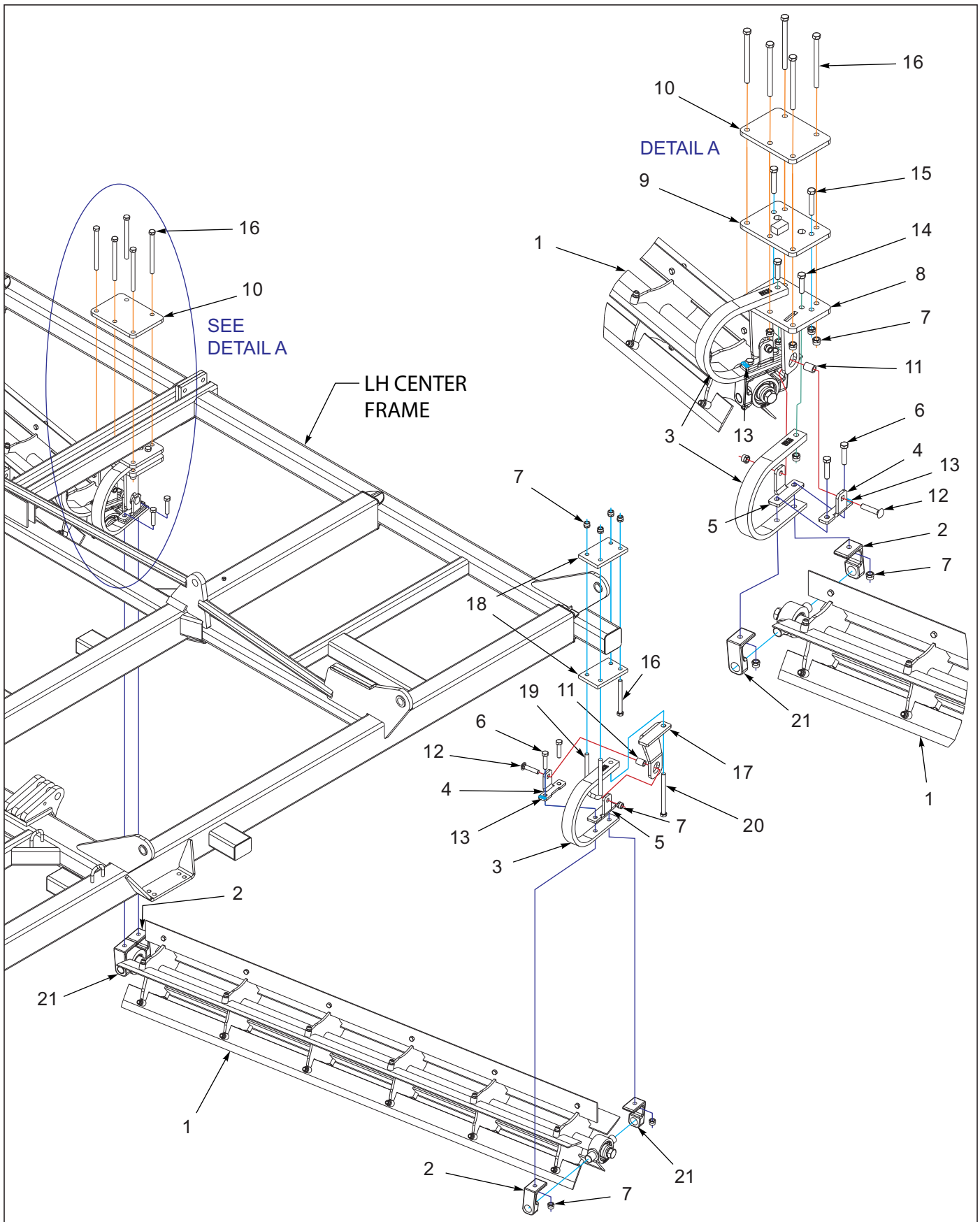


Figure 1-25: Reel Assembly

## Reel Assembly

ITEM	PART NO.	DESCRIPTION	QTY.	
1	----	REEL ASSEMBLY 877-30'-35' (SEE PAGE 1-49)	*	
1	----	REEL ASSEMBLY 877-40' (SEE PAGE 1-49)	*	
2	136509	HANGER, LH, REEL	8	12
3	8-683-010023	TAPER SPRING SHANK REEL	8	12
4	135443	BRACKET INNER BOTTOM REEL	8	12
5	135442	BRACKET OUTER BOTTOM REEL	8	12
6	1-654-010059-08	SCREW HX CP 5/8-11UNCX2-3/4G5	16	24
7	1-512-010005-13	NUT,HEX SLFLKG GRB 5/8-11	39	47
8	218904	WLDMT, CTR REEL BRKT	1	1
9	218905	PLATE, REEL BRKT SPACER	1	1
10	218907	PLATE, CTR REEL BRKT	1	1
11	RRT159	TUBE RD 1 X 11/16 1.41	8	12
12	164861	SCREW,RD HD SQNCK 5/8-11X3	8	12
13	2-573-010330-01	DECAL, LUBRICATION 5 HOURS	8	12
14	1-654-010059-07	SCREW HX CP 5/8-11UNCX2-1/2G5	2	2
15	1-654-010059-11	SCREW,HX CP 5/8-11UNCX3.5GR5	2	2
16	1-654-010059-21	SCREW,HEX CAP,5/8-11UNCX8 GR5	11	15
17	135439	BRACKET TOP REEL GUARD	6	10
18	8-622-010003	SHANK MOUNT REEL	12	20
19	8-102-010020	U BOLT REEL MOUNT	6	10
20	107-0018	HHCS 5/8-11X6-1/2LG GR5	6	10
21	136510	HANGER, RH, REEL	8	12

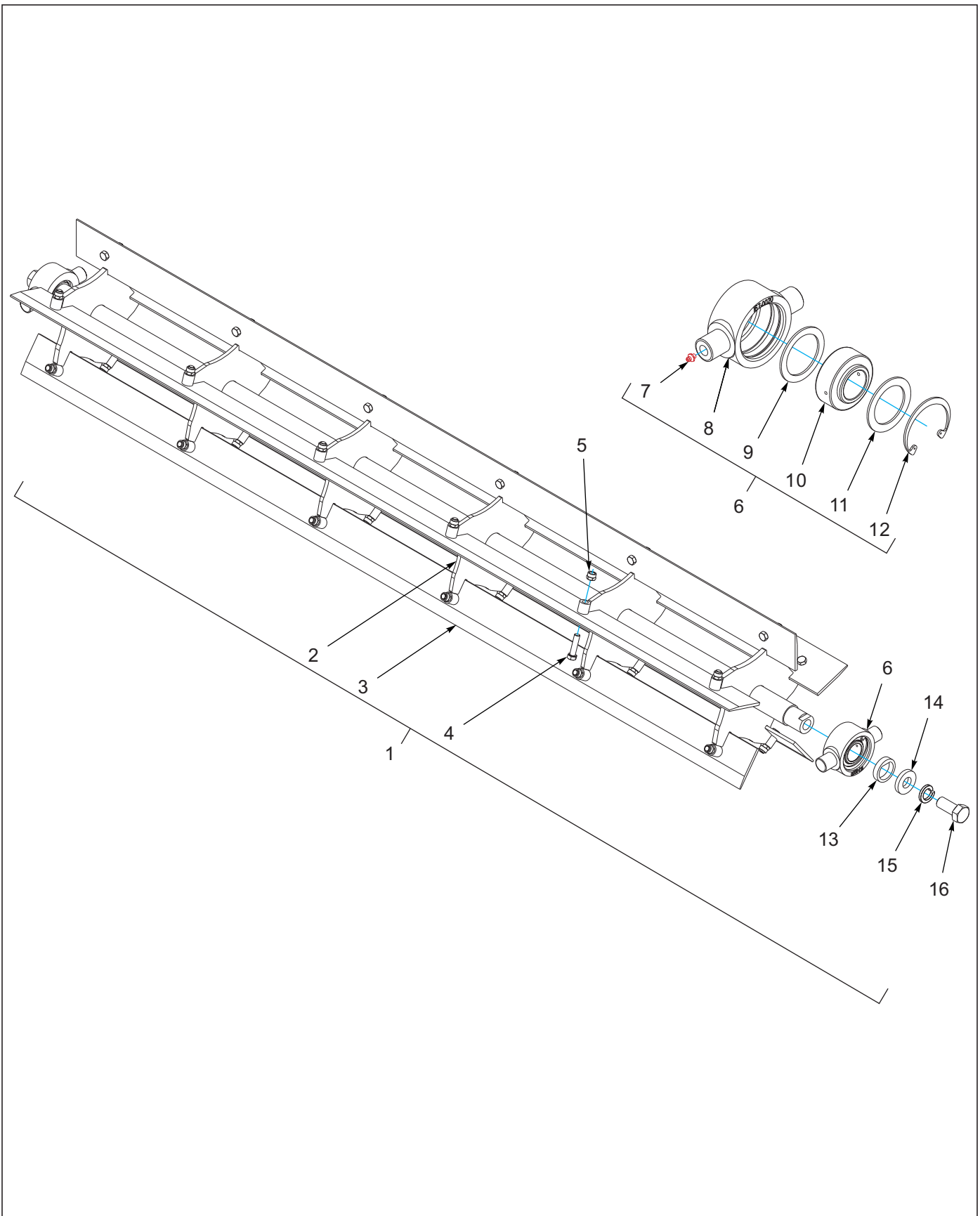


Figure 1-26: Chopper Reel Assembly

## Chopper Reel Assembly

ITEM	PART NO.	DESCRIPTION	QTY.			
1	218872	ASSY, CHOPPER REEL 91"	*			
1	218873	ASSY, CHOPPER REEL 82"		*		
1	218874	ASSY, CHOPPER REEL 55"			*	
1	222117	ASSY, CHOPPER REEL, 114"				*
2	218893	REEL WLDMT, 91" BLADE	1	--	--	--
2	218894	REEL WLDMT, 82" BLADE	--	1	--	--
2	218895	REEL WLDMT, 55" BLADE	--	--	1	--
2	222123	REEL WLDMT, 114" BLADE	--	--	--	1
3	8-622-010012	REEL BLADE 91 IN	5	--	--	--
3	8-622-010007	BLADE REEL 82 IN	--	5	--	--
3	8-622-010025	REEL BLADE 55 IN	--	--	5	--
3	8-622-010081	REEL BLADE 114"	--	--	--	5
4	1-654-010055-05	SCREW,HEX CAP,1/2-13UNCX2 GR5	30	30	20	40
5	1-512-010005-09	NUT,HEX,SLFLKG, 1/2-13 GRB	30	30	20	40
6	218899	BEARING ASSY,Ø1.75 ID TRUNNION	2	2	2	2
7	1-298-010001-1	ZERK FITTING 1/4 SAE	2	2	2	2
8	1-065-010013	BEARING HOUSING TRUNNION MT	2	2	2	2
9	8-861-010008	WASHER FLAT	2	2	2	2
10	218900	BEARING,Ø1.75 CYLIN,W/O COLLAR	2	2	2	2
11	8-861-010009	WASHER FLAT	2	2	2	2
12	8-630-010001	RING RETAINING	2	2	2	2
13	218902	WASHER, FLAT TOP	2	2	2	2
14	218901	WASHER, 3/8	2	2	2	2
15	1-861-010034-21	WASHER, LKG HEL SPRG 1IN	2	2	2	2
16	137943	SCREW,HEX CAP 1-8UNCX2-1/4GR5	2	2	2	2

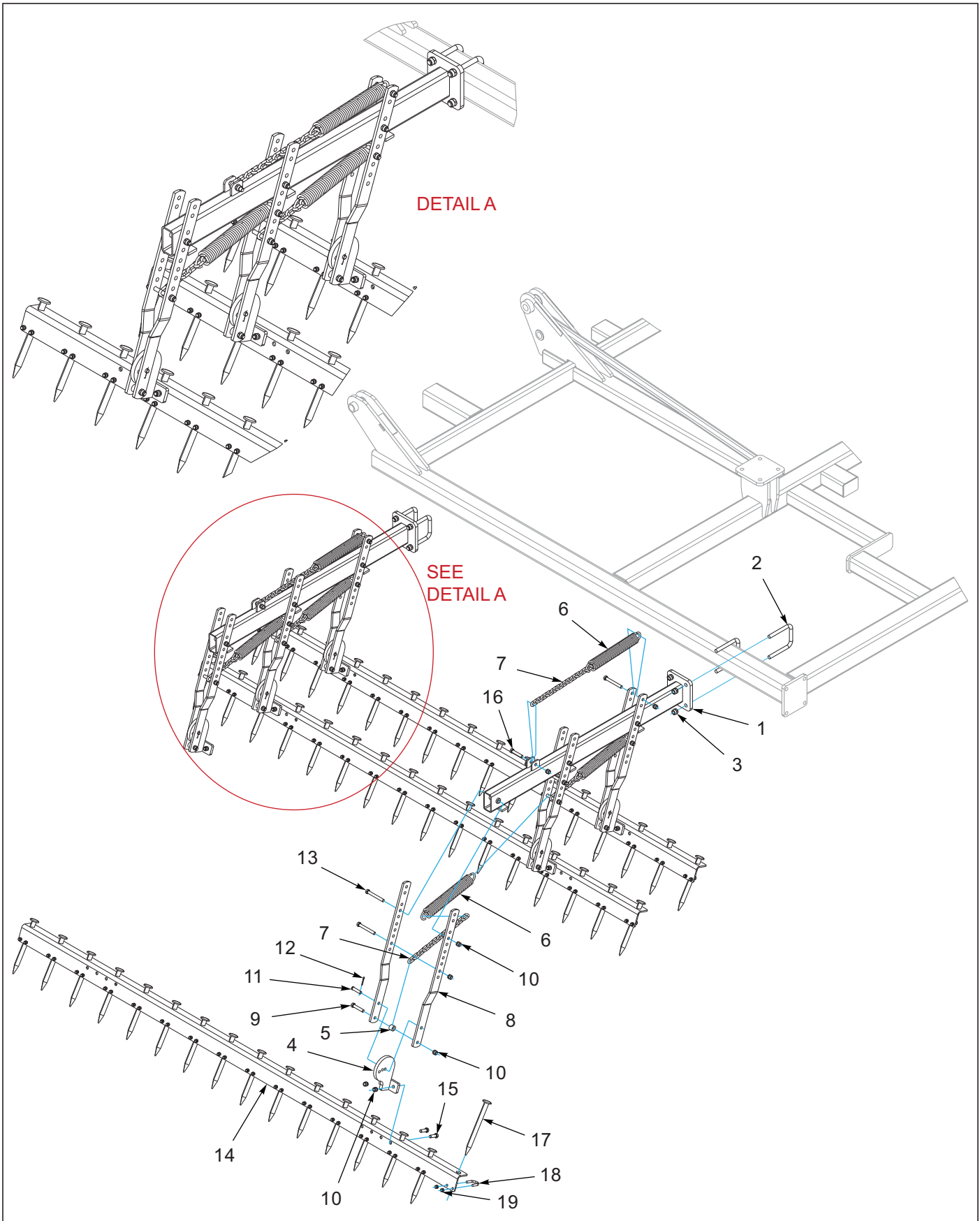


Figure 1-27: Harrow Assembly

## Harrow Assembly

ITEM	PART NO.	DESCRIPTION	QTY.		
--	----	HARROW ASSEMBLY 877-30' (SEE 1-45 FOR PROPER PLACEMENT)	*		
--	----	HARROW ASSEMBLY 877-35'(SEE 1-45 FOR PROPER PLACEMENT)	*		
--	----	HARROW ASSEMBLY 877-40'(SEE 1-45 FOR PROPER PLACEMENT)	*		
1	151029	HANGER ARM, HARROW, EXT WLDMT	8	8	12
2	6-102-010009	U-BOLT RIGID GA WHEEL	16	16	24
3	1-512-010005-13	NUT,HEX SLFLKG GRB 5/8-11	32	32	48
4	8-370-010008	HARROW ADJ BRACKET WLDMT	24	24	36
5	RRT128X.75	TUBE RD 1X9/16X3/4 CDBW	24	24	36
6	8-720-010011	HARROW SPRING	24	24	36
7	229587	CHAIN, 5/16 PROOF COIL,12 LINK	24	24	36
8	8-370-010007	HARROW ADJUSTMENT ARM	48	48	72
9	1-654-010055-07	SCREW HX CP 1/2-13UNCX2-1/2	24	24	36
10	1-512-010005-09	NUT,HEX,SLFLKG, 1/2-13 GRB40	128	128	188
11	0800-0500-02000	PIN CLEVIS 1/2X2	24	24	36
12	1-557-010362-40	PIN, COTTER 5/32X1-1/4	24	24	36
13	1-654-010055-13	SCREW,HEX CAP,1/2-13UNCX4 GR5	48	48	72
14	8-370-010011	HARROW 85 IN (877-30' WINGS)	6	--	--
14	8-370-010012	HARROW 92-1/2 IN (877-30'-35'-40' CENTER)	6	6	6
14	8-370-010040	HARROW 115" (877-35' WINGS)	--	6	--
14	8-370-010014	HARROW 70 IN (877-40' WINGS)	--	--	12
15	1-654-010055-03	SCREW,HEX CAP,1/2-13UNCX1-1/2	48	48	72
16	1-654-010055-07	SCREW HX CP 1/2-13UNCX2-1/2	8	8	12
17	8-370-010001	TEETH,HARROW 3/4 SQ 11H	150	150	198
18	8-102-010017	U-BOLT HARROW SPIKE	150	150	198
19	1-512-010005-05	NUT, HEX, SLFLKG GRB 3/8-16	300	300	396

# Lift Hydraulics

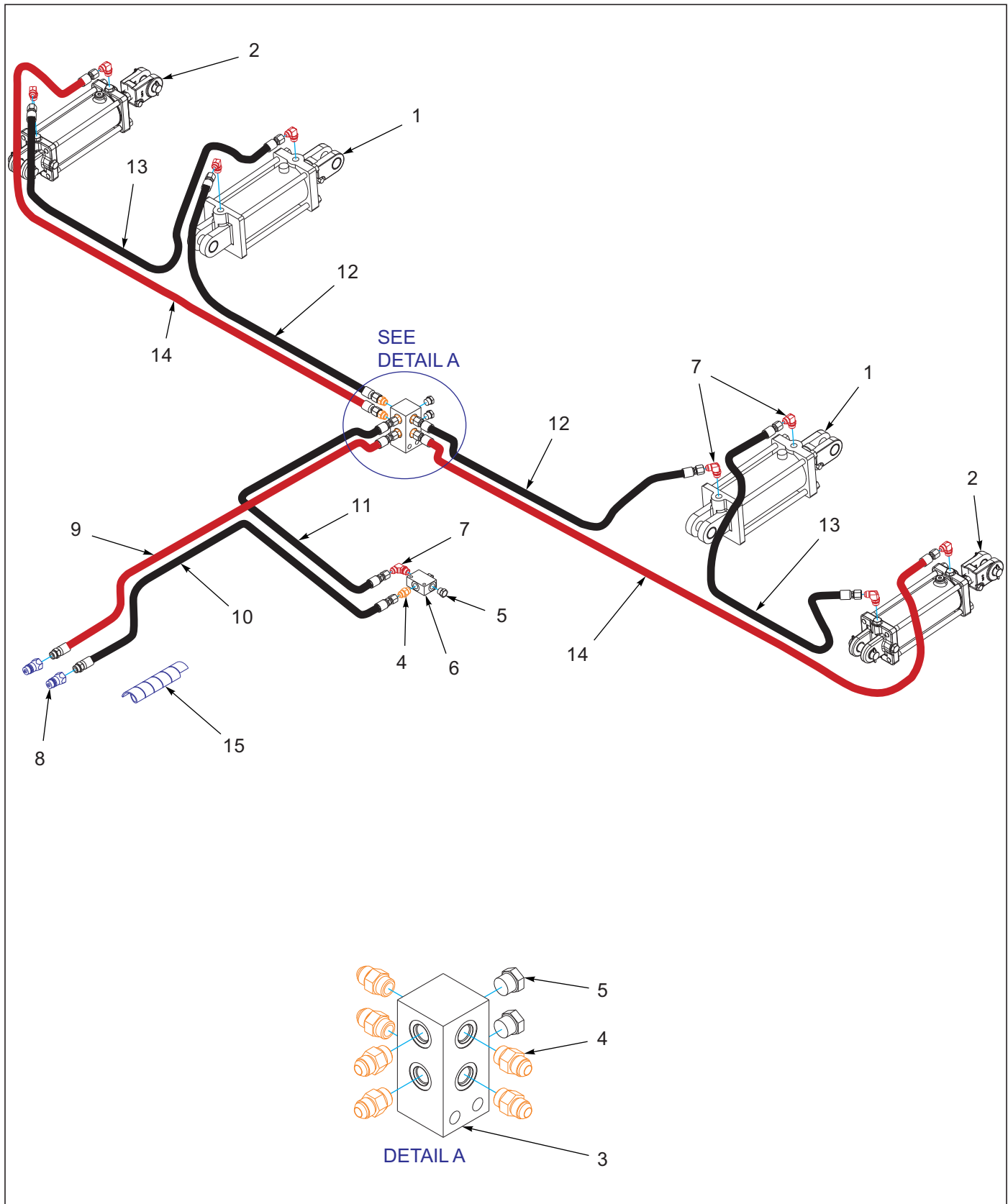


Figure 1-28: Lift Hydraulic Assembly



## Lift Hydraulic Assembly

ITEM	PART NO.	DESCRIPTION	QTY.
1	134558	CYLINDER,4-1/2X8 MASTER 876 (SEE PAGE 1-58)	2
2	1-242-010173-5	CYLINDER HYD 4X8 SLAVE 1 (SEE PAGE 1-59)	2
3	2-474-010022	MANIFOLD HYDRAULIC, 8 HOSE	1
4	202702-8-8S	ADAPTER #8 O-RING TO #8 TUBE	7
5	1-007-010025	PLUG, 3/4-16 O-RING BOSS	3
6	185660	VALVE, LIMIT	1
7	2062-8-8S	ADAPTER, 90, #8 O-RING-TUBE	9
8	141828	COUPLER,MALE 3/4-16 O-RING	2
9	176996	HOSE 1/2 X 220, #8JIC X #8OR	1
10	208811	HOSE ASSY, 1/2X255,-8FJX,-8ORB	1
11	168521	HOSE ASSY 1/2X67 SAE37 STR-STR	1
12	209436	HOSE ASSY, 3/8X76,-8FJX,-8FJX	2
13	231852	HOSE ASSY, 3/8X122,-8FJX,-8FJX (877-30')	2
13	159569	HOSE ASSY 3/8X161,#8JIC SWVL (877-35')	2
13	150273	HOSE ASSY 3/8X185 #8JIC SWIVL (877-40')	2
14	141883	HOSE ASSY 3/8X190 #8 JIC SWIV (877-30')	2
14	211327	HOSE ASSY,3/8X218,8FJS ENDS (877-35')	2
14	71510821	HOSE, .38 X 244 IN. (877-40')	2
15	155528	HOSE WRAP, BLUE 1" ID X 8"	1

# Fold Hydraulics

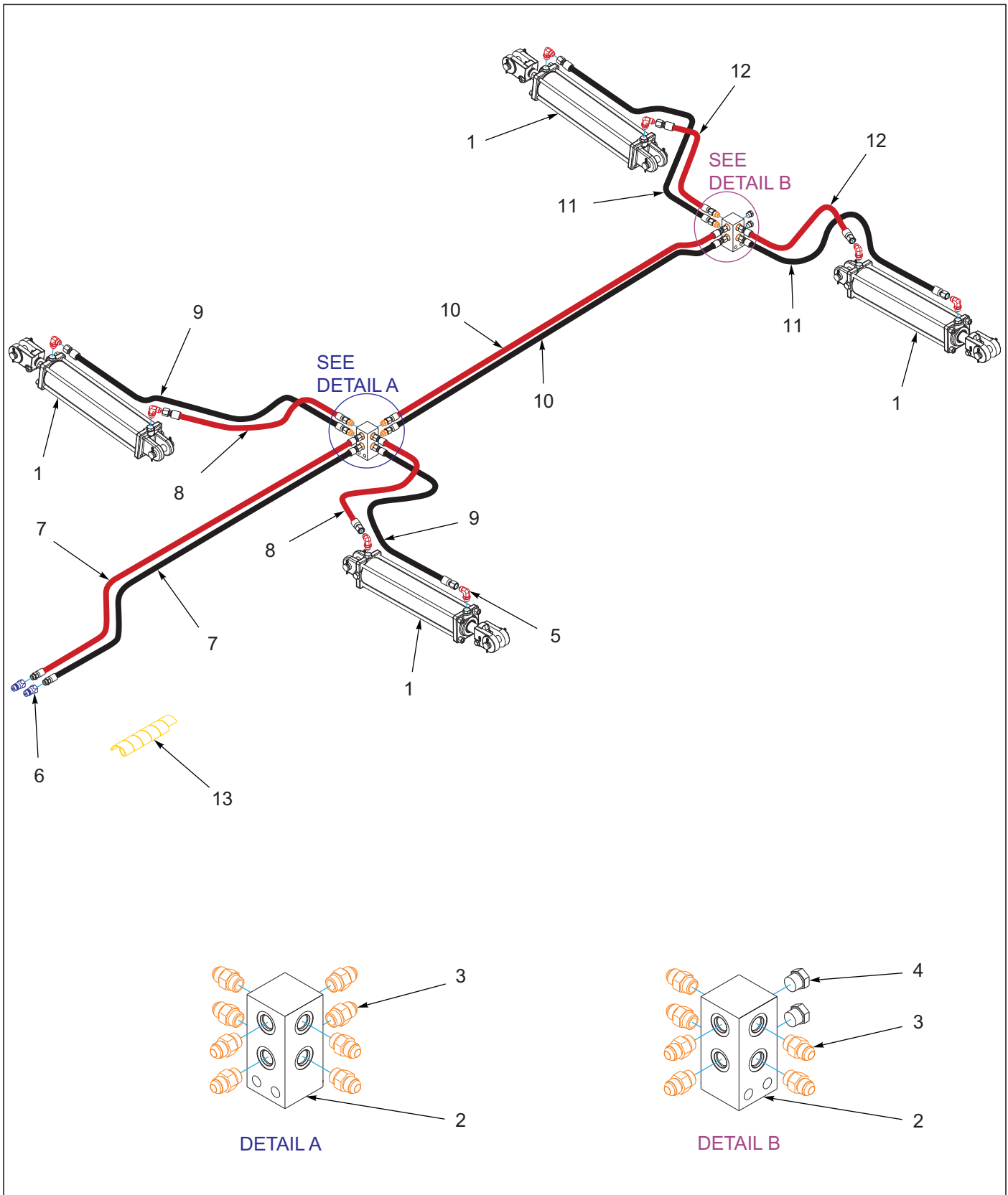


Figure 1-29: Fold Hydraulic Assembly 877-30'

## Fold Hydraulic Assembly 877-30'

ITEM	PART NO.	DESCRIPTION	QTY.
1	1-242-010179-2	CYLINDER,HYD 3-1/2X16 3000PSI (SEE PAGE 1-60)	4
2	2-474-010022	MANIFOLD HYDRAULIC, 8 HOSE	2
3	202702-8-8S	ADAPTER #8 O-RING TO #8 TUBE	14
4	1-007-010025	PLUG, 3/4-16 O-RING BOSS	2
5	141826	ELBOW 90 1/16 RES	8
6	141828	COUPLER,MALE 3/4-16 O-RING	2
7	186237	HOSE 1/2X195 #8JIC X #8OR	2
8	122910	HOSE ASSY 3/8X70,#8 JIC SWVL	2
9	116433	HOSE ASSY 3/8X90 #8 JIC SWV	2
10	1407064	HOSE ASSY,1/2X82.25, SAE37,STR	2
11	208479	HOSE ASSY 3/8X84,8FJS ENDS	2
12	116489	HOSE ASSY 3/8X64 #8 JIC SW	2
13	155529	HOSE WRAP, YELLOW 1" ID X 8"	1

ILLUSTRATED PARTS LIST

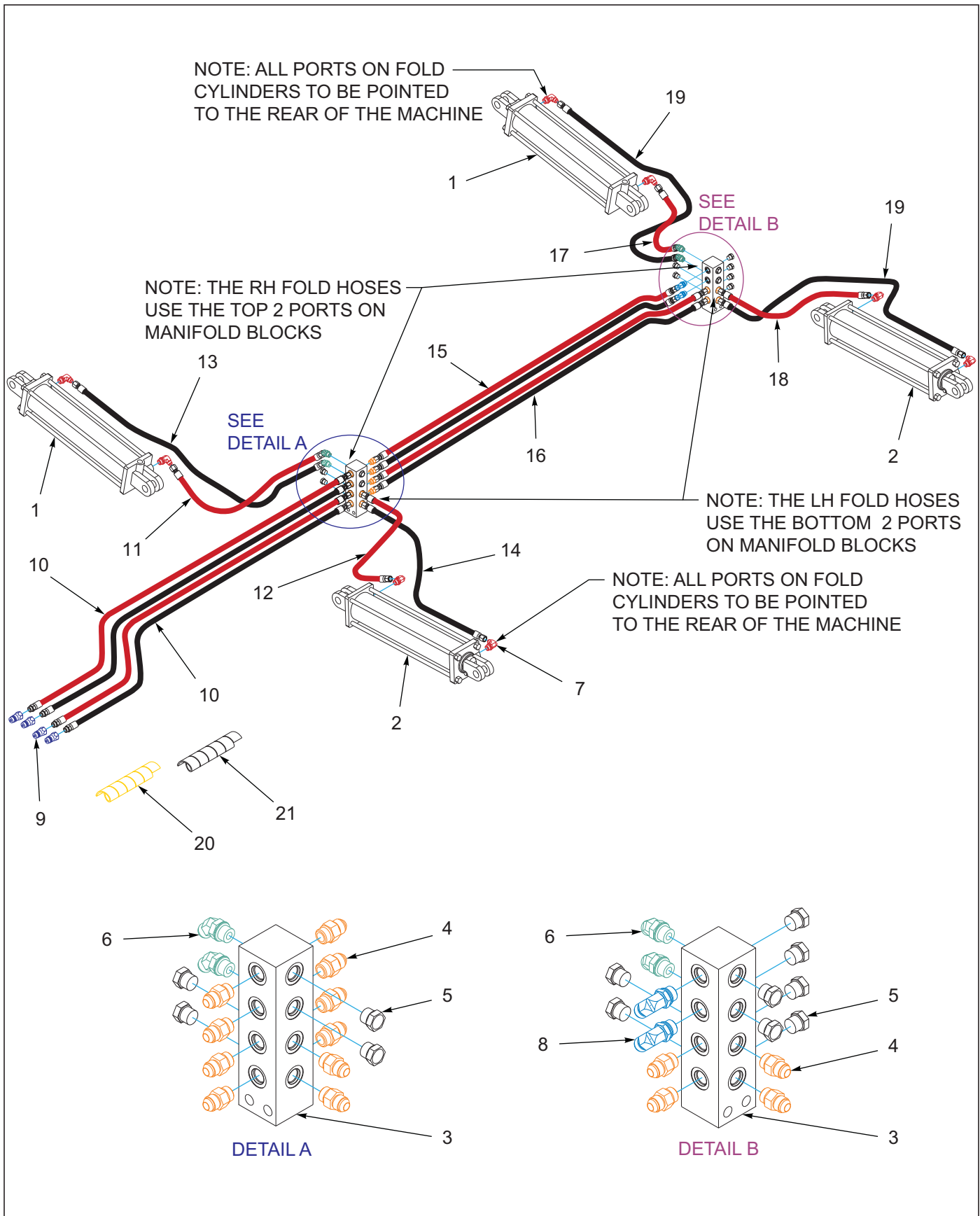


Figure 1-30: Fold Hydraulic Assembly 877-35'-40'

## Fold Hydraulic Assembly 877-35'-40'

ITEM	PART NO.	DESCRIPTION	QTY.
1	107899	CYLINDER, 4-1/2X16 SIDE PORT (SEE PAGE 1-61) (RH WING)	2
2	108265	CYLINDER, 4-1/2X20 SIDE PORT (SEE PAGE 1-62) (LH WING)	2
3	141594	MANIFOLD, HYDRAULIC 16 PORT	2
4	202702-8-8S	ADAPTER #8 O-RING TO #8 TUBE	14
5	1-007-010025	PLUG, 3/4-16 O-RING BOSS	12
6	2061-8-8S	ADAPTER, 45, #8 O-RING-TUBE	4
7	162778	EL 90 7/8 ORING 3/4 JIC 1/16 (DEPENDS ON CYLINDER VENDOR)	8
7	141826	ELBOW 90 1/16 RES (DEPENDS ON CYLINDER VENDOR)	8
8	2062-8-8S	ADAPTER, 90, #8 O-RING-TUBE	2
9	141828	COUPLER,MALE 3/4-16 O-RING	4
10	186237	HOSE 1/2X195 #8JIC X #8OR	4
11	122910	HOSE ASSY 3/8X70,#8 JIC SWVL	1
12	153843	HOSE ASSY 3/8X67 #8 JIC SWIV	1
13	195647	HOSE ASSY, 3/8X93 #8 JIC SWIV	1
14	192481	HOSE ASSY 3/8 X 88	1
15	1413640	HOSE ASSY 1/2X91,SAE37,ST-ST	2
16	1407064	HOSE ASSY,1/2X82.25, SAE37,STR	2
17	123547	HOSE ASSY 3/8X56 #8 JIC SWIVL	1
18	208812	HOSE ASSY, 3/8X52,-8FJX,-8FJX	1
19	116490	HOSE ASSY 3/8X78 #8 JIC SW	2
20	155529	HOSE WRAP, YELLOW 1" ID X 8"	1
21	155530	HOSE WRAP, BLACK 1" ID X 8"	1

# Cylinders

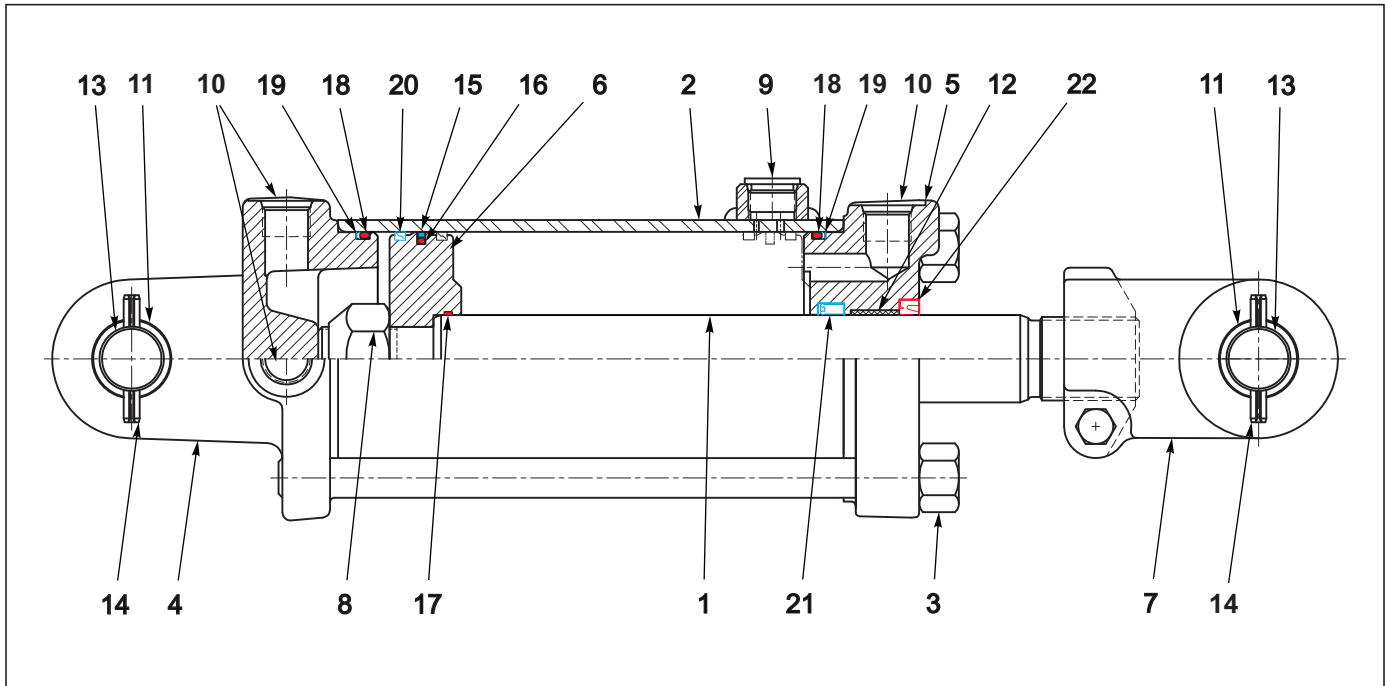


Figure 1-31: Cylinder - Rephase Assembly 4-1/2 X 8

## Cylinder - Rephase Assembly 4-1/2 X 8

ITEM	PART NO.	DESCRIPTION	QTY.
--	134558	CYLINDER,4-1/2X8 MASTER 876	
1	----	ROD, PISTON	1
2	----	TUBE ASSY	1
3	----	TIEROD ASSY	4
4	----	BUTT CLEVIS ASSY	1
5	103153	GLAND ASSEMBLY	1
6	----	PISTON	1
7	137304	CLEVIS ASSY	1
8	----	LOCKNUT	1
9	----	SHIPPING PLUG	1
10	----	SHIPPING PLUG	3
11	----	BUSHING	4
12	----	BUSHING	1
13	142122	CLEVIS PIN	2
14	111789	ROLL PIN	4
15	----	TEFLON SEAL	1
16	----	O- RING	1
17	----	O- RING	2
18	----	O- RING	2
19	----	BU- WASHER	1
20	----	BEARING RING	1
21	----	U- CUP	1
22	----	WIPER	1
23	135913	PACKING KIT (NOT SHOWN) (INCLUDES ITEMS 15-22)	

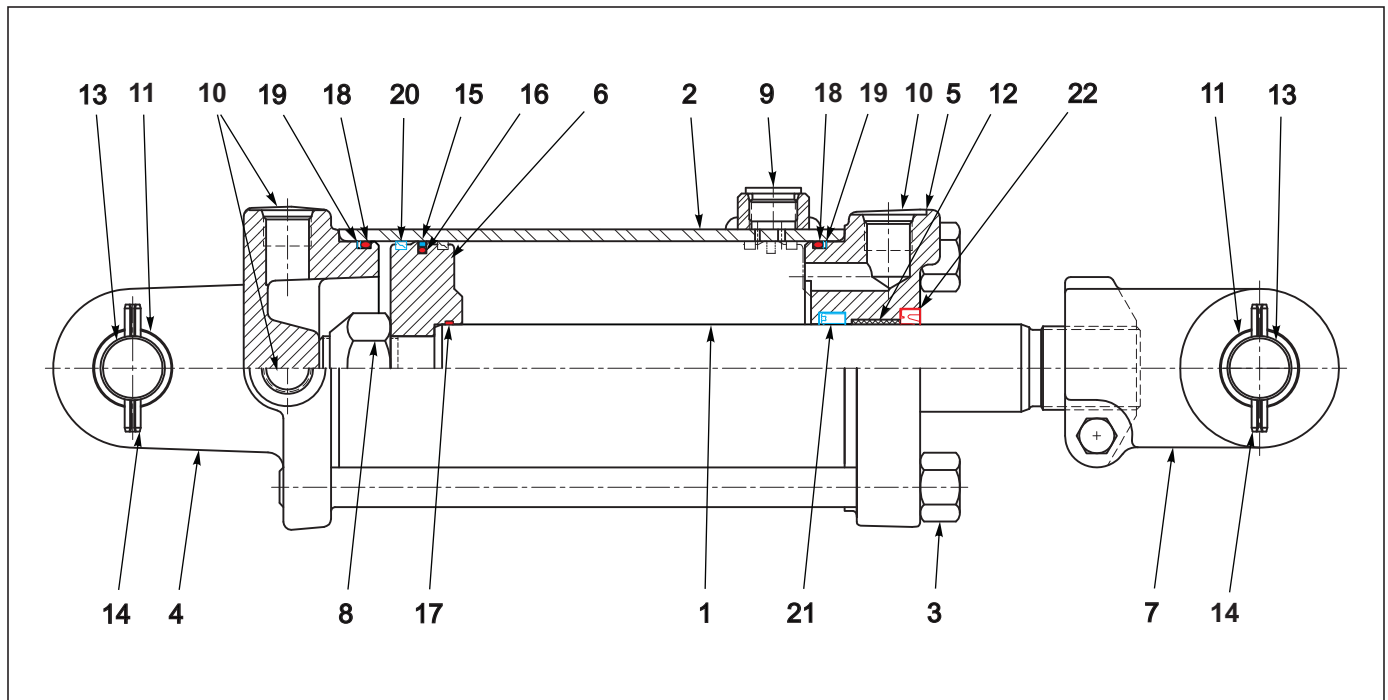


Figure 1-32: Cylinder - Rephase Assembly 4 X 8

## Cylinder - Rephase Assembly 4 X 8

ITEM	PART NO.	DESCRIPTION	QTY.
--	1-242-010173-5	CYLINDER HYD 4X8 SLAVE 1	
1	----	ROD, PISTON	1
2	----	TUBE ASSY	1
3	----	TIEROD ASSY	4
4	----	BUTT CLEVIS ASSY	1
5	081900374	GLAND ASSEMBLY	1
6	----	PISTON	1
7	111874	CLEVIS ASSY	1
8	----	LOCKNUT	1
9	----	SHIPPING PLUG	1
10	----	SHIPPING PLUG	3
11	----	BUSHING	4
12	----	BUSHING	1
13	111790	CLEVIS PIN	2
14	111789	ROLL PIN	4
15	----	TEFLON SEAL	1
16	----	O- RING	1
17	----	O- RING	2
18	----	O- RING	2
19	----	BU- WASHER	1
20	----	BEARING RING	1
21	----	U- CUP	1
22	----	WIPER	1
23	113215	PACKING KIT (NOT SHOWN) (INCLUDES ITEMS 15-22)	

ILLUSTRATED PARTS LIST

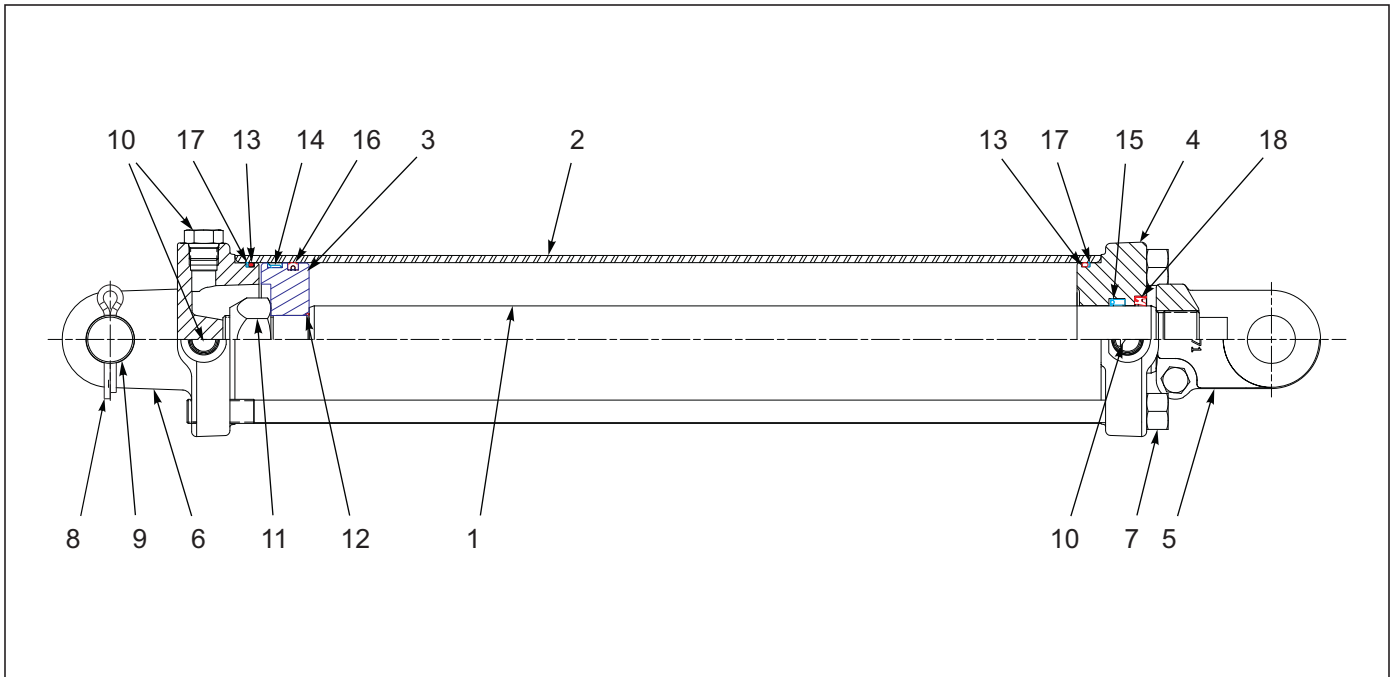


Figure 1-33: Cylinder - Assembly 3-1/2 X 16

Cylinder - 3-1/2 X 16

ITEM	PART NO.	DESCRIPTION	QTY.
--	1-242-010179-2	CYLINDER, HYD 3-1/2X16 3000PSI	
1	----	PISTON ROD	1
2	----	TUBE	1
3	----	PISTON	1
4	111870	GLAND	1
5	----	CLEVIS ASSY	1
6	----	BUTT CLEVIS	1
7	----	TIE ROD STUD W/HEX NUT	4
8	----	COTTER PIN	2
9	111790	CLEVIS PIN	1
10	----	#8 SAE HEX HEAD PLUG	3
11	----	LOCK NUT	1
12	----	O- RING	1
13	----	O- RING	2
14	----	PISTON BEARING RING	1
15	----	U-CUP	1
16	----	CROWN SEAL	1
17	----	BU- WASHER	2
18	----	CANNED WIPER	1
19	1-242-010178-2	PACKING KIT (NOT SHOWN) (INCL ITEMS 12-18)	



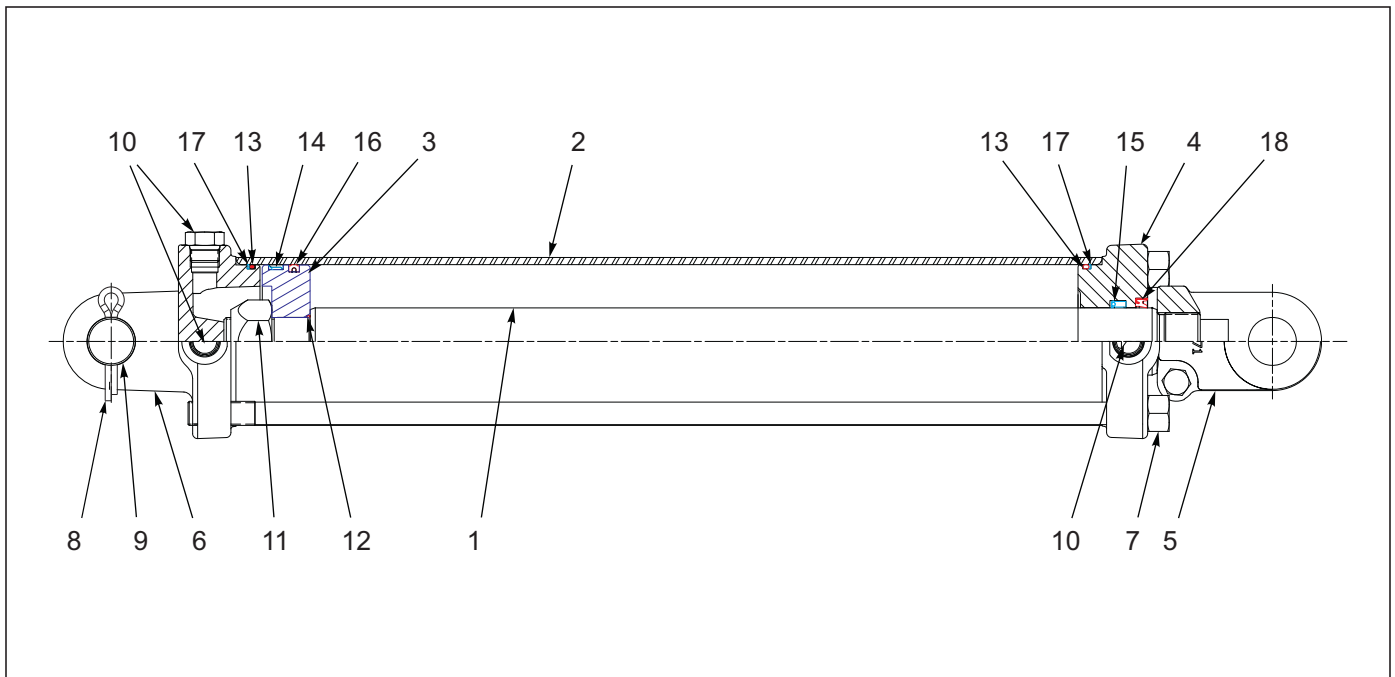


Figure 1-34: Cylinder - Assembly 4-1/2 X 16

### Cylinder - 4-1/2 X 16

ITEM	PART NO.	DESCRIPTION	QTY.
--	107899	CYLINDER, 4-1/2X16 SIDE PORT	
1	----	PISTON ROD	1
2	----	TUBE	1
3	----	PISTON	1
4	163038	GLAND	1
5	100000362	CLEVIS ASSY	1
6	----	BUTT CLEVIS	1
7	----	TIE ROD STUD W/HEX NUT	4
8	----	COTTER PIN	2
9	----	CLEVIS PIN	1
10	----	#8 SAE HEX HEAD PLUG	3
11	----	LOCK NUT	1
12	----	O- RING	1
13	----	O- RING	2
14	----	PISTON BEARING RING	1
15	----	U-CUP	1
16	----	CROWN SEAL	1
17	----	BU- WASHER	2
18	----	CANNED WIPER	1
19	132077	PACKING KIT (NOT SHOWN) (INCL ITEMS 12-18)	

ILLUSTRATED PARTS LIST

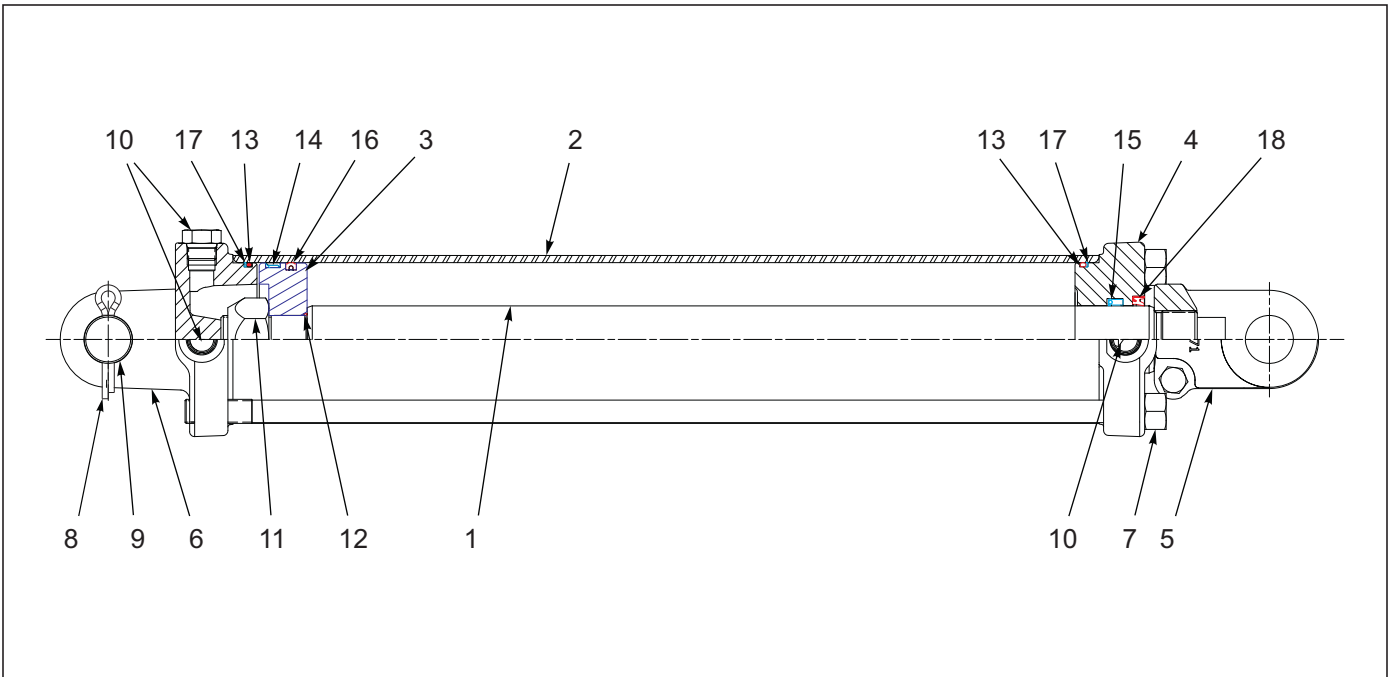


Figure 1-35: Cylinder - Assembly 4-1/2 X 20

Cylinder - 4-1/2 X 20

ITEM	PART NO.	DESCRIPTION	QTY.
--	108265	CYLINDER, 4-1/2X20 SIDE PORT	
1	----	PISTON ROD	1
2	----	TUBE	1
3	----	PISTON	1
4	163038	GLAND	1
5	100000362	CLEVIS ASSY	1
6	----	BUTT CLEVIS	1
7	----	TIE ROD STUD W/HEX NUT	4
8	----	COTTER PIN	2
9	----	CLEVIS PIN	1
10	----	#8 SAE HEX HEAD PLUG	3
11	----	LOCK NUT	1
12	----	O- RING	1
13	----	O- RING	2
14	----	PISTON BEARING RING	1
15	----	U-CUP	1
16	----	CROWN SEAL	1
17	----	BU- WASHER	2
18	----	CANNED WIPER	1
19	132077	PACKING KIT (NOT SHOWN) (INCL ITEMS 12-18)	

## Electrical

7-PIN CONNECTOR	4-PIN TOWER	2-PIN TOWER	CIRCUIT
1	D	A	GROUND
2	–	–	WORK LAMPS
3	B	–	LEFT FLASHING & TURN
4	–	–	STOP LAMPS
5	A	–	RIGHT FLASHING & TURN
6	C	–	TAIL LAMPS
7	–	B	SWITCHED POWER (12 V)

### MAIN WARNING LIGHT HARNESS - WIRING CHART

	1	2	3	4	5
	2-PIN TOWER	3-PIN TOWER	6-PIN SHROUD	3-PIN TOWER	2-PIN TOWER
● BLACK LEFT TURN			A	C	
● WHITE GROUND	A	A	B	A	A
● BROWN TAIL LIGHT		B	C	B	
● YELLOW LEFT TURN			D		B
● GREEN RIGHT TURN	B		E		
● RED RIGHT TURN		C	F		

### REAR WARNING LIGHT HARNESS - WIRING CHART

Figure 1-36: Electrical Assembly W/ LED Lights (1 of 2)

ILLUSTRATED PARTS LIST

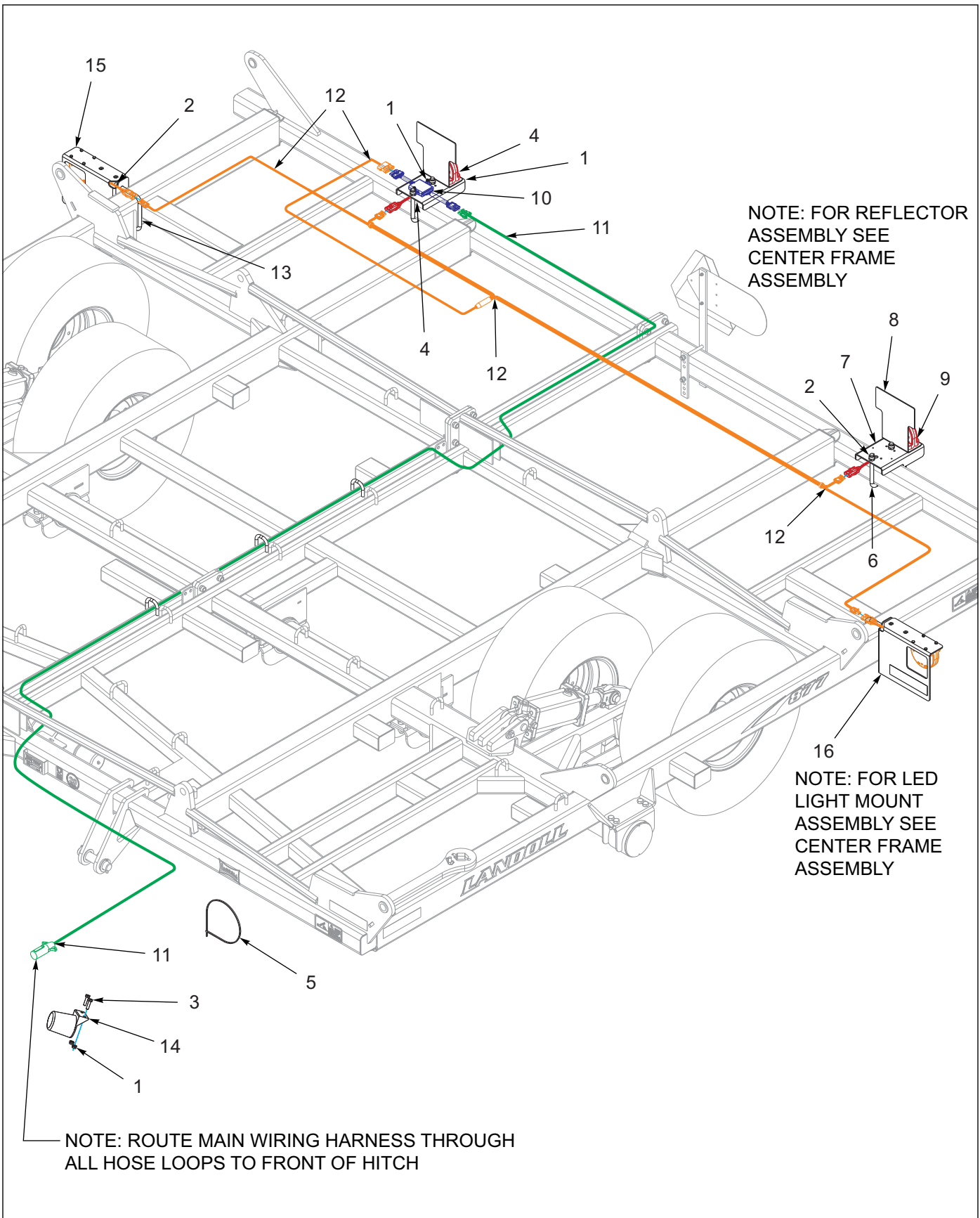


Figure 1-37: Electrical Assembly W/ LED Lights (2 of 2)

## Electrical Assembly W/ LED Lights

ITEM	PART NO.	DESCRIPTION	QTY.
--	222131	LED LIGHT KIT, 877	
1	1-512-010005-01	NUT,HEX,SLFLKG GRB 1/4-20	12
2	1-512-010005-13	NUT,HEX SLFLKG GRB 5/8-11	8
3	1-654-010047-06	SCREW,HX CP 1/4-20UNCX1 GR5	2
4	1-654-010047-08	SCREW HX CP,1/4-20UNCX1-1/2G5	10
5	105874	TIE,STRAP PLSTC 21.5-24X.301	15
6	141228	U-BOLT 5/8X4X6-1/2	2
7	164138	MOUNT, LIGHT TAIL <b>(SEE PAGE 1-3)</b>	2
8	164140	REFLECTOR ASSY <b>(SEE PAGE 1-3)</b>	2
9	174435	LAMP, AG RED SINGLE LED	2
10	174437	MODULE, AG FLASHER CONTROL <b>(SEE PAGE 1-3)</b>	1
11	174438	HARNESS, MAIN WARNING LIGHTS	1
12	174439	HARNESS, REAR WARNING LIGHTS	1
13	2-102-010032	U BOLT CENTER SHANK MT.	2
14	2-368-010287	HARNESS, STOR-A-WAY <b>(SEE PAGE 1-3)</b>	1
15	222132	LIGHT ASSY, RH LED AMBER <b>(SEE PAGE 1-3)</b>	1
16	222133	LIGHT ASSY, LH LED AMBER <b>(SEE PAGE 1-3)</b>	1

Decals

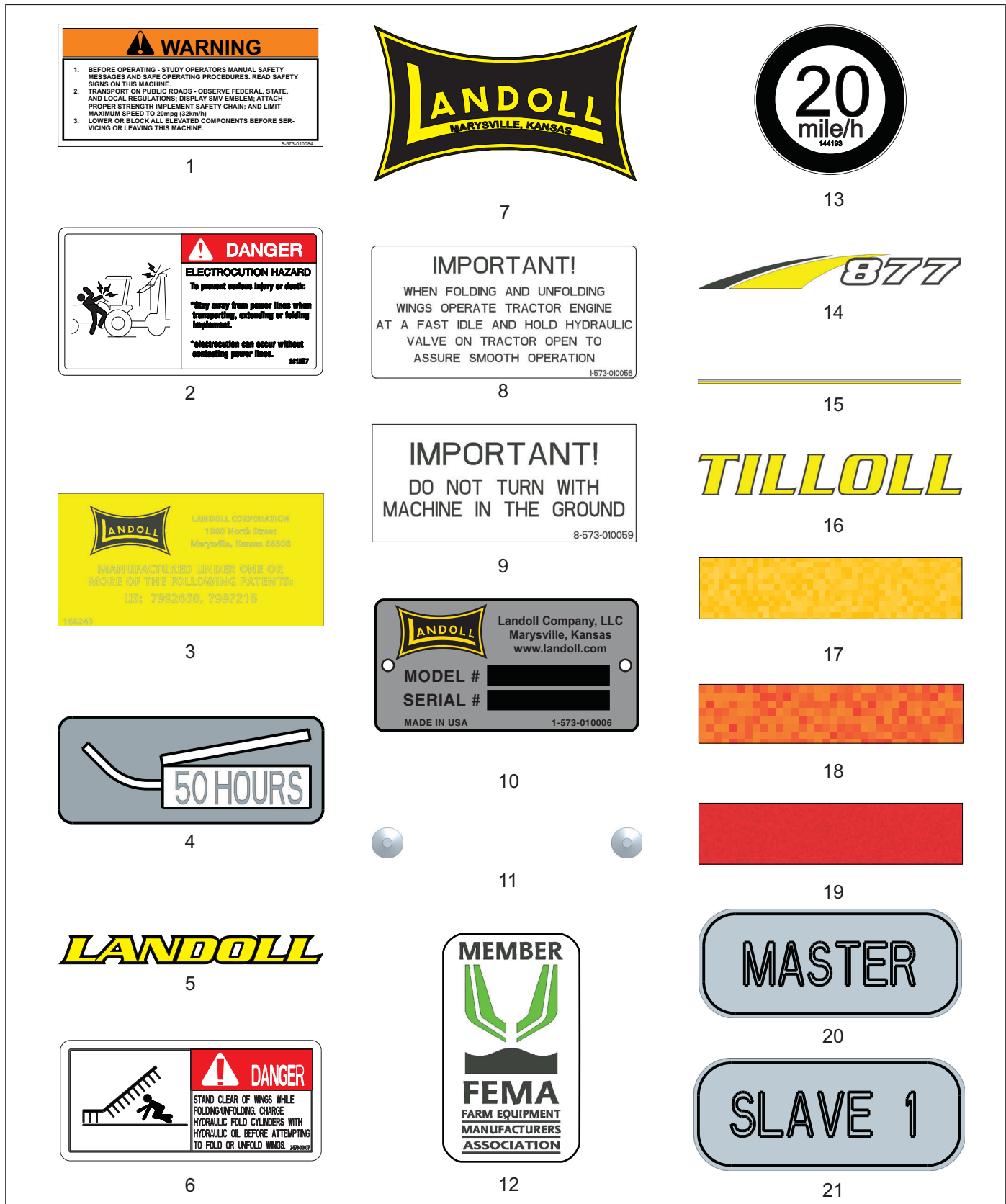
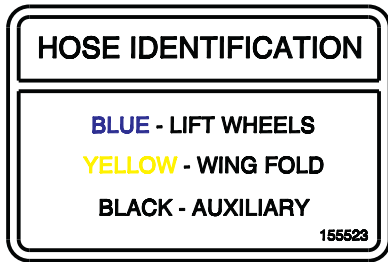


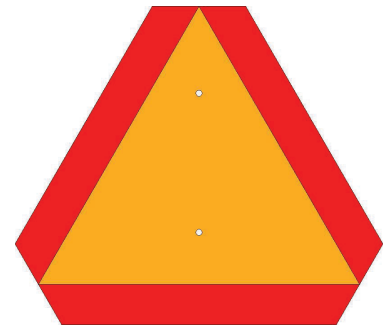
Figure 1-38: Decals (1 of 2)



22



23



24

Figure 1-39: Decals (2 of 2)

ILLUSTRATED PARTS LIST

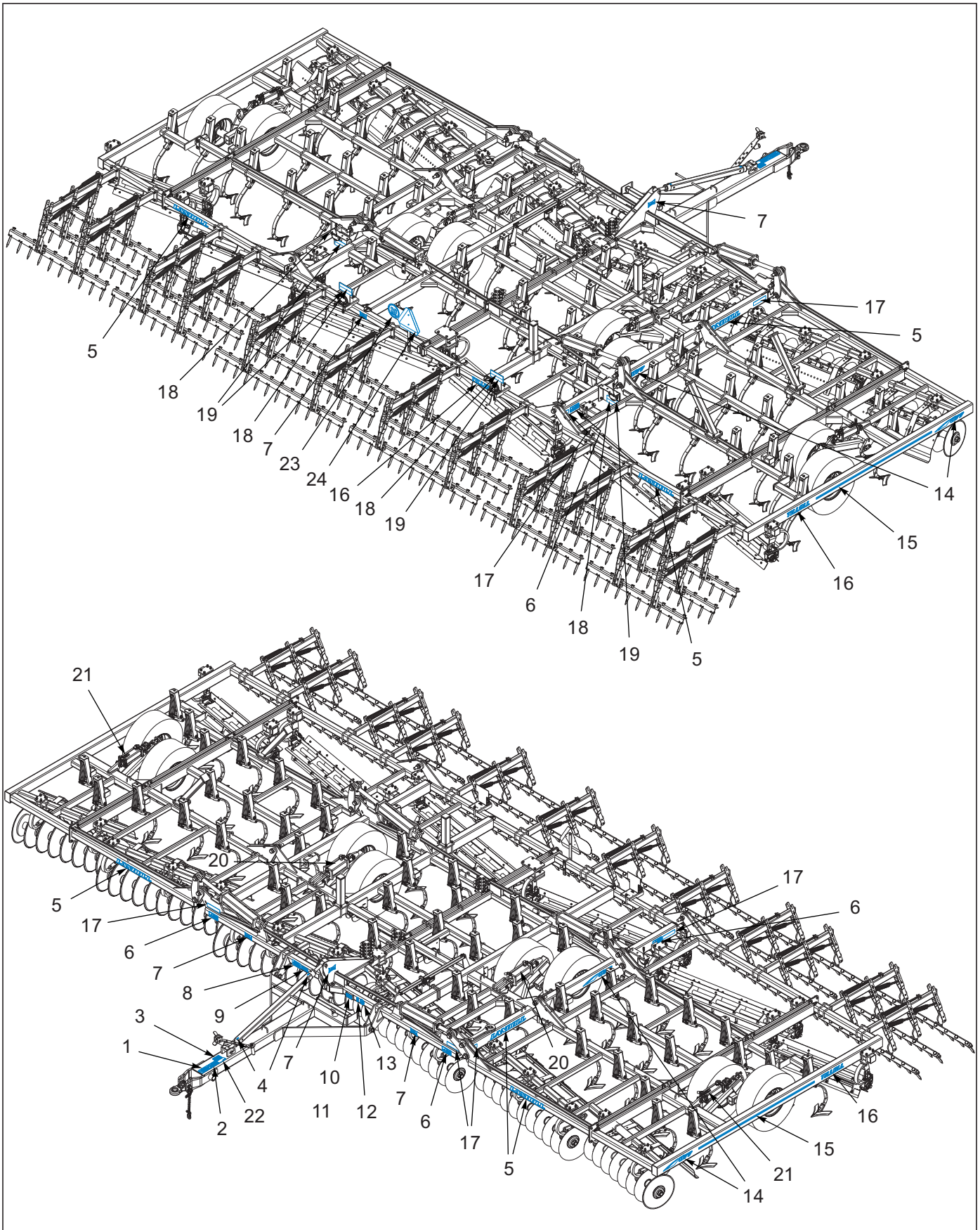


Figure 1-40: Decal Locations



## Decals

ITEM	PART NO.	DESCRIPTION	QTY.
1	8-573-010084	DECAL WARNING BEFORE OPERATG	1
2	141597	DECAL, DANGER ELECTROCUTION	1
3	1-573-010373	DECAL, PATENT TILLAGE	1
4	2-573-010330-03	DECAL, LUBRICATION 50 HOURS	2
5	141260	DECAL, LANDOLL	6
6	2-573-010037	DECAL, DANGER, WING	4
7	141259	DECAL, LANDOLL, YELLOW	5
8	1-573-010056	DECAL IMPORTANT WING FOLDING	1
9	8-573-010059	DECAL IMPORTANT NO TURNING	1
10	1-573-010006	PLACARD, NAME	1
11	156010	RIVET, BLIND .156X1/2 GRIP	2
12	2-573-010198	DECAL, MEMBER FEMA	1
13	144193	DECAL, SIS 20 MPH	1
14	218888	DECAL, 877 MODEL	4
15	161515	DECAL, STRIPE 1" X 84"	2
16	218889	DECAL, TILLOLL 2-1/2"	3
17	528934	REFLECTOR - YELLOW	5
18	528938	STRIPE, ORANGE	4
19	528933	REFLECTOR - RED	4
20	2-573-010150	DECAL MASTER	2
21	2-573-010149	DECAL SLAVE	2
22	229580	DECAL, HOSE IDENTIFICATION	1
23	224589	DECAL, SIS 20 MILE/H	1
24	70260977	SMV EMBLEM	1



**Numerics**

0800-0500-02000 .....	1-51	116100 .....	1-11, 1-13
081900374 .....	1-59	116360 .....	1-19
100000362 .....	1-61, 1-62	116433 .....	1-55
100214 .....	1-23	116489 .....	1-55
100695 .....	1-19	116490 .....	1-57
1-007-010025 .....	1-53, 1-55, 1-57	119083 .....	1-9, 1-11, 1-13
100807 .....	1-19	122910 .....	1-55, 1-57
100827 .....	1-39	122917 .....	1-6
100844 .....	1-23	123547 .....	1-57
101385 .....	1-11, 1-13, 1-27, 1-29	1-242-010173-5 .....	1-9, 1-11, 1-13, 1-53, 1-59
102498 .....	1-15, 1-17	1-242-010178-2 .....	1-60
102600 .....	1-5, 1-9, 1-11, 1-13, 1-15, 1-17	1-242-010179-2 .....	1-25, 1-55, 1-60
102601 .....	1-15	1-298-010001-1 .....	1-5, 1-9, 1-11, 1-13, 1-19, 1-23, 1-49
102604 .....	1-15, 1-17	132077 .....	1-61, 1-62
103153 .....	1-58	133662 .....	1-39, 1-41
103841 .....	1-19	134446 .....	1-19
105-0093 .....	1-3	134486 .....	1-19
105874 .....	1-65	134495 .....	1-5
1-065-010011 .....	1-31	134496 .....	1-9, 1-11, 1-13
1-065-010013 .....	1-49	134498 .....	1-9, 1-11, 1-13
107-0018 .....	1-43, 1-47	134558 .....	1-5, 1-53, 1-58
107899 .....	1-27, 1-29, 1-57, 1-61	135439 .....	1-47
108265 .....	1-27, 1-29, 1-57, 1-62	135442 .....	1-47
108628 .....	1-6, 1-39	135443 .....	1-47
108830 .....	1-3	135913 .....	1-58
1-116-010019 .....	1-3	136509 .....	1-47
111789 .....	1-58, 1-59	136510 .....	1-47
111790 .....	1-59, 1-60	137304 .....	1-58
111870 .....	1-60	137943 .....	1-49
111874 .....	1-59	139800 .....	1-9, 1-11, 1-13
111962 .....	1-15, 1-17	140487 .....	1-31
113215 .....	1-59	140519 .....	1-5
114002 .....	1-27, 1-29	140548 .....	1-5, 1-9, 1-11, 1-13
		140551 .....	1-5, 1-9, 1-11, 1-13
		140552 .....	1-5, 1-9, 1-11, 1-13

## TABLE OF CONTENTS

### INDEX

---

140553	1-5, 1-9, 1-11, 1-13	1-512-010007-09	1-39
140647	1-19, 1-20	1-512-010008-12	1-23
1407064	1-55, 1-57	1-512-010011-19	1-19
141196	1-5, 1-9, 1-11, 1-13	1-516-010001-20	1-5, 1-9, 1-11, 1-13, 1-15, 1-17
141228	1-3, 1-65	1-516-010001-27	1-31
141234	1-5	1-533-010001	1-3
141246	1-19	153843	1-57
141247	1-19	155528	1-53
141249	1-19	155529	1-55, 1-57
141250	1-20	155530	1-57
141259	1-69	1-557-010013	1-3
141260	1-69	1-557-010362-40	1-51
1413640	1-57	1-557-010362-51	1-5, 1-9, 1-11, 1-13, 1-15, 1-17
141434	1-19	1-557-010362-63	1-19
141594	1-27, 1-29, 1-57	156010	1-69
141597	1-69	156860	1-9, 1-11, 1-13
141807	1-19	156949	1-23
141826	1-55, 1-57	156972	1-5, 1-9, 1-11, 1-13, 1-15
141828	1-53, 1-55, 1-57	156973	1-15, 1-17
141883	1-53	156974	1-15
142122	1-58	156979	1-15, 1-17
142194	1-20	1-573-010006	1-69
144048	1-6	1-573-010056	1-69
144193	1-69	1-573-010373	1-69
150273	1-53	159569	1-53
151029	1-51	159970	1-15, 1-17
1-511-010001-07	1-41	160161	1-31
1-512-010005-01	1-3, 1-19, 1-65	161515	1-69
1-512-010005-03	1-5, 1-6, 1-39	161545	1-5, 1-9, 1-11, 1-13
1-512-010005-05	1-5, 1-43, 1-51	161546	1-5, 1-9, 1-11, 1-13
1-512-010005-09	1-3, 1-5, 1-9, 1-11, 1-13, 1-25, 1-27, 1-29, 1-31, 1-39, 1-41, 1-43, 1-49, 1-51	162536	1-27, 1-29
1-512-010005-13	1-3, 1-5, 1-11, 1-13, 1-19, 1-25, 1-27, 1-29, 1-31, 1-37, 1-43, 1-47, 1-51, 1-65	162778	1-57
1-512-010005-15	1-5	162906	1-41
1-512-010005-19	1-9, 1-19, 1-25	1-630-010021-03	1-6
1-512-010007-07	1-19	163038	1-61, 1-62
1-512-010007-08	1-39, 1-41	163504	1-9, 1-11, 1-13
		164124	1-5
		164138	1-3, 1-65

---

164139 .....	1-3	1-654-010070-04 .....	1-31
164140 .....	1-3, 1-65	1-654-010087-16 .....	1-23
164146 .....	1-41	1-654-010123-01 .....	1-11, 1-13, 1-27, 1-29
164147 .....	1-41	1-654-010125-20 .....	1-9, 1-25
164192 .....	1-41	1-654-010125-22 .....	1-19
1-647-010004217 .....	1-19	166160 .....	1-41
1-647-010004257 .....	1-19, 1-31	166717 .....	1-6
164861 .....	1-47	168521 .....	1-53
165257 .....	1-5	168859 .....	1-15, 1-17
165258 .....	1-6	171892 .....	1-3, 1-13
165259 .....	1-6	172509 .....	1-31
165260 .....	1-6	172667 .....	1-41
165265 .....	1-5	172671 .....	1-41
1-654-010047-06 .....	1-3, 1-19, 1-65	172672 .....	1-41
1-654-010047-07 .....	1-3	174435 .....	1-3, 1-65
1-654-010047-08 .....	1-3, 1-65	174436 .....	1-3
1-654-010049-19 .....	1-5	174437 .....	1-3, 1-65
1-654-010051-06 .....	1-5	174438 .....	1-65
1-654-010055-03 .....	1-51	174439 .....	1-65
1-654-010055-05 .....	1-5, 1-31, 1-43, 1-49	174708 .....	1-6
1-654-010055-07 .....	1-9, 1-11, 1-13, 1-51	174709 .....	1-6
1-654-010055-09 .....	1-31	176996 .....	1-53
1-654-010055-11 .....	1-25, 1-27, 1-29	177030 .....	1-23
1-654-010055-13 .....	1-51	177031 .....	1-19, 1-23
1-654-010055-14 .....	1-5, 1-9, 1-11, 1-13	177032 .....	1-23
1-654-010055-16 .....	1-3	178474 .....	1-39
1-654-010059-03 .....	1-13	178475 .....	1-39
1-654-010059-04 .....	1-9, 1-11, 1-13	179655 .....	1-5
1-654-010059-05 .....	1-3, 1-5, 1-11, 1-27, 1-29, 1-37	179766 .....	1-31, 1-33
1-654-010059-07 .....	1-5, 1-31, 1-47	179767 .....	1-31, 1-33, 1-34
1-654-010059-08 .....	1-47	179770 .....	1-31, 1-32, 1-34
1-654-010059-11 .....	1-47	179771 .....	1-31, 1-32, 1-33, 1-34
1-654-010059-16 .....	1-31	184708 .....	1-5, 1-9, 1-11, 1-13
1-654-010059-17 .....	1-19	185660 .....	1-5, 1-53
1-654-010059-21 .....	1-47	1-861-010005 .....	1-5, 1-9, 1-11, 1-13, 1-15, 1-17
1-654-010061-05 .....	1-5	1-861-010006 .....	1-31
1-654-010061-19 .....	1-19	1-861-010032-13 .....	1-39, 1-41
1-654-010070-02 .....	1-31	1-861-010032-14 .....	1-31

---

## TABLE OF CONTENTS

### INDEX

---

1-861-010032-15	1-5, 1-9, 1-11, 1-13, 1-31	216142	1-31, 1-34
1-861-010032-18	1-3, 1-13	2-183-010090	1-39
1-861-010032-19	1-41	218872	1-49
1-861-010032-24	1-9, 1-19	218873	1-49
1-861-010032-25	1-25	218874	1-49
1-861-010032-29	1-27, 1-29	218877	1-13
1-861-010034-12	1-39, 1-41	218878	1-13
1-861-010034-21	1-49	218879	1-13
186237	1-55, 1-57	218880	1-13
189453	1-23	218882	1-9, 1-11, 1-13
189454	1-23	218888	1-69
189467	1-23	218889	1-69
189468	1-23	218893	1-49
192481	1-57	218894	1-49
195647	1-57	218895	1-49
197394	1-3, 1-13	218899	1-49
202702-8-8S	1-53, 1-55, 1-57	218900	1-49
204385	1-5, 1-9, 1-11, 1-13	218901	1-49
2-054-010461	1-3	218902	1-49
2061-8-8S	1-57	218904	1-47
2062-8-8S	1-53, 1-57	218905	1-47
208479	1-55	218907	1-47
208811	1-53	218908	1-37
208812	1-57	218910	1-37
209436	1-53	2-217-010031	1-31, 1-32, 1-33, 1-34
2-102-010032	1-3, 1-65	2-217-010033	1-3
2-102-010037	1-29	222116	1-31, 1-33
211327	1-53	222117	1-49
2-120-010136	1-25	222118	1-11
2-150-010008	1-9, 1-11, 1-13	222119	1-11
2-150-010058	1-39	222123	1-49
2-150-010174	1-5	222131	1-65
216129	1-31	222132	1-3, 1-65
216130	1-31	222133	1-3, 1-65
216133	1-31	222134	1-3
216134	1-31	222135	1-3
216135	1-31	222140	1-31, 1-32
216136	1-31	222143	1-9

# TABLE OF CONTENTS

# INDEX

222144	1-9	2-375-010602	1-23
222157	1-39	2-459-010038	1-3
222159	1-11	2-474-010022	1-25, 1-27, 1-29, 1-53, 1-55
222160	1-19	2-557-010053	1-3
223435	1-17	2-557-010491	1-19
223437	1-17	2-557-010517	1-39
223438	1-17	2-573-010037	1-69
223439	1-17	2-573-010149	1-69
223440	1-5, 1-9, 1-11, 1-13, 1-17	2-573-010150	1-69
224589	1-69	2-573-010198	1-69
224590	1-3	2-573-010330-01	1-47
225506	1-27	2-573-010330-03	1-69
225513	1-3	2-615-010021	1-19
225514	1-3	2-645-010067	1-27, 1-29
225516	1-5	2-654-010115	1-19
225531	1-5	2-683-010079	1-39, 1-41
225532	1-5, 1-6	2-689-010057	1-39, 1-41
225533	1-6	29SFFL 5811	1-3, 1-9, 1-11, 1-13, 1-39, 1-41
225534	1-19	3/8-16X1-1/2PB	1-43
225540	1-3, 1-9, 1-11, 1-13, 1-41	4001060	1-15, 1-17
225541	1-41	4J918	1-5
225542	1-41	5000	1-15, 1-17
225543	1-41	500171	1-20
225544	1-41	528933	1-3, 1-69
225546	1-3, 1-13	528934	1-3, 1-69
2-276-010240	1-25	528938	1-3, 1-69
229555	1-3, 1-41	5J914	1-27
229557	1-9, 1-11, 1-13	6-102-010009	1-25, 1-27, 1-51
229578	1-29	7/16-14X1-1/2PW	1-39, 1-41
229580	1-69	70260977	1-3, 1-69
229581	1-27	71510821	1-53
229585	1-3	8-102-010017	1-51
229586	1-3	8-102-010020	1-47
229587	1-51	8-102-010021	1-31
231852	1-53	8-102-010023	1-37
2-360-010015	1-19	8-102-010043	1-9, 1-11, 1-13, 1-39
2-368-010287	1-19, 1-65	8-105-010004	1-39
2-375-010601	1-23	8-105-010006	1-39

## TABLE OF CONTENTS

### INDEX

---

8-182-010022 .....	1-43	8-681-010011 .....	1-37
8-182-010023 .....	1-43	8-681-010012 .....	1-37
8-183-010058 .....	1-39	8-681-010013 .....	1-37
8-253-010002 .....	1-31, 1-32, 1-33, 1-34	8-683-010020 .....	1-31
8-253-010007 .....	1-31, 1-32, 1-33, 1-34	8-683-010021 .....	1-43
8-253-010010 .....	1-31, 1-32, 1-33, 1-34	8-683-010023 .....	1-47
8-253-010012 .....	1-31	8-689-010009 .....	1-39, 1-41
8-253-010021 .....	1-31, 1-32, 1-33, 1-34	8-689-010010 .....	1-43
8-253-010022 .....	1-31, 1-32	8-720-010011 .....	1-51
8-253-010027 .....	1-31, 1-34	8-861-010008 .....	1-49
8-253-010028 .....	1-31, 1-33, 1-34	8-861-010009 .....	1-49
8-253-010037 .....	1-31, 1-33	8-861-010021 .....	1-19
8-253-010040 .....	1-31		
8-253-010041 .....	1-31	<b>B</b>	
8-253-010043 .....	1-31, 1-32, 1-33, 1-34		
8-253-010049 .....	1-31	B4-182-005 .....	1-43
8-253-010050 .....	1-31		
8-276-010195 .....	1-25	<b>R</b>	
8-276-010334 .....	1-25		
8-370-010001 .....	1-51	RRT128X.75 .....	1-51
8-370-010007 .....	1-51	RRT159 .....	1-47
8-370-010008 .....	1-51		
8-370-010011 .....	1-51	<b>T</b>	
8-370-010012 .....	1-51		
8-370-010014 .....	1-51	TR575 .....	1-5, 1-9, 1-11, 1-13
8-370-010040 .....	1-51		
8-557-010114 .....	1-19		
8-573-010059 .....	1-69		
8-573-010084 .....	1-69		
8-622-010003 .....	1-47		
8-622-010007 .....	1-49		
8-622-010012 .....	1-49		
8-622-010025 .....	1-49		
8-622-010081 .....	1-49		
8-630-010001 .....	1-49		
8-681-010008 .....	1-37		
8-681-010009 .....	1-37		
8-681-010010 .....	1-37		



**Document Control Revision Log:**

<b>Date</b>	<b>Form #</b>	<b>Improvement(s): Description and Comments</b>
12/12/2019	F-1073	Initial Release.
03/20/2020	F-1073-0320	New Manual.
01/38/2021	F-1073-0121	Updated new center frame/lift, wings, spring shank assembly, hydraulics.



---

# Intertek

Equipment from Landoll Company, LLC is built to exacting standards ensured by ISO 9001 registration at all Landoll manufacturing facilities.

## Model 877 Tilloll Parts Manual Serial Number: 01B2002332 to Present

Re-Order Part Number F-1073-0121

### LANDOLL COMPANY, LLC

1900 North Street

Marysville, Kansas 66508

(785) 562-5381

800-428-5655 ~ [WWW.LANDOLL.COM](http://WWW.LANDOLL.COM)



Copyright 2020. Landoll Company, LLC

“All rights reserved, including the right to reproduce this material or portions thereof in any form.”

Scan to go to [www.landoll.com](http://www.landoll.com)

