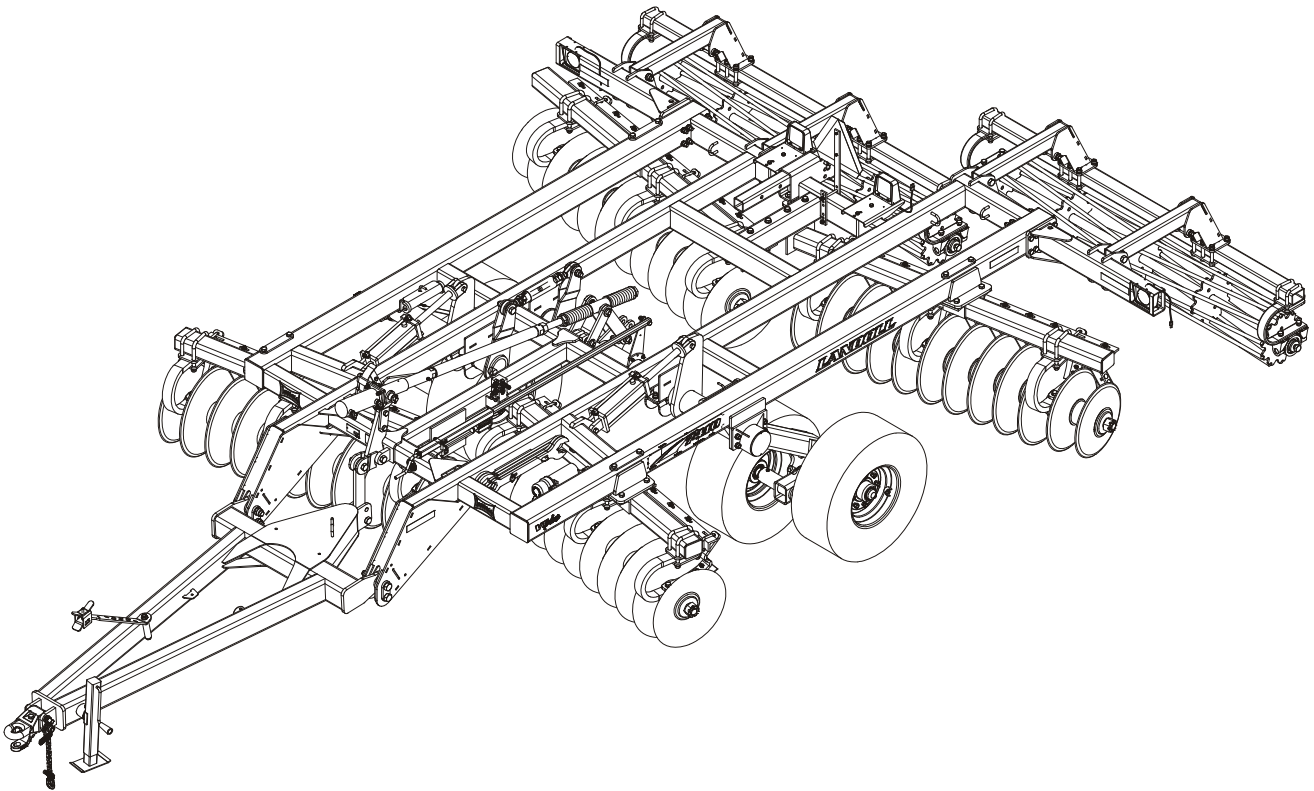




# Model 7410 VT Plus Parts Manual



## **LANDOLL CORPORATION**

1900 North Street  
Marysville, Kansas 66508  
(785) 562-5381

800-428-5655 ~ [WWW.LANDOLL.COM](http://WWW.LANDOLL.COM)



# Table of Contents

## 1 Instructions for Ordering Parts

## 2 Illustrated Parts List

GENERAL ASSEMBLY .....	2-1
FRAME ASSEMBLY .....	2-3
LIFT WHEEL ASSEMBLY .....	2-5
LIFT RADIUS ROD ASSEMBLY .....	2-7
HITCH AND LEVELING LINKAGE ASSEMBLY .....	2-10
HITCH ASSEMBLIES .....	2-12
7,000 Lb. Sidewind Jack Assembly .....	2-13
LEVELER SCREW ASSEMBLY .....	2-14
DEPTH STOP TUBE ASSEMBLY .....	2-15
MANUAL LEVELER ASSEMBLY .....	2-16
HYDRAULIC LEVELER ASSEMBLY .....	2-19
DISC GANG ASSEMBLY .....	2-21
14' DISC GANG PLACEMENT PARTS .....	2-23
CONDITIONER SINGLE REEL ASSEMBLY .....	2-25
HYDRAULIC CONDITIONER REEL ASSEMBLY .....	2-27
CONDITIONER REEL HYDRAULIC AND MISCELLANEOUS PARTS ASSEMBLY .....	2-29
CONDITIONER REEL/GANG BAR ASSEMBLY .....	2-31
REEL DOUBLE SPRING ASSEMBLY .....	2-33
REEL DOUBLE HYDRAULIC ASSEMBLY .....	2-35
DOUBLE REEL ASSEMBLY .....	2-37
HYDRAULIC REAR TOW HITCH (1 of 2) .....	2-39
HYDRAULIC REAR TOW HITCH (2 OF 2) .....	2-41
REAR JACK ASSEMBLY .....	2-42
Cylinder 2-1/2 X 1-1/2 .....	2-43
Cylinder - 2-1/2" X 1-1/2" (1-1/8" THD) .....	2-44
ELECTRICAL ASSEMBLY (PRIOR TO AUGUST, 2013) .....	2-47
ELECTRICAL ASSEMBLY W/ LED LIGHTS (AFTER AUGUST, 2013) .....	2-49
HYDRAULIC ASSEMBLY .....	2-51

---

Cylinder - Rephase Assembly - 4 X 10 (1" Pin) .....	2-52
Cylinder Hydraulic 3-1/2" X 6" .....	2-53
DECAL INSTALLATION .....	2-55

### **3 Numerical Index**

# Instructions for Ordering Parts

## ORDER PARTS FROM LANDOLL PARTS DISTRIBUTION CENTER

**\*\* Repair parts must be ordered through an Authorized Dealer \*\***

Phone #:: **800-423-4320** or **785-562-538**  
ORDER ONLINE: [companystore.landoll.com](http://companystore.landoll.com)

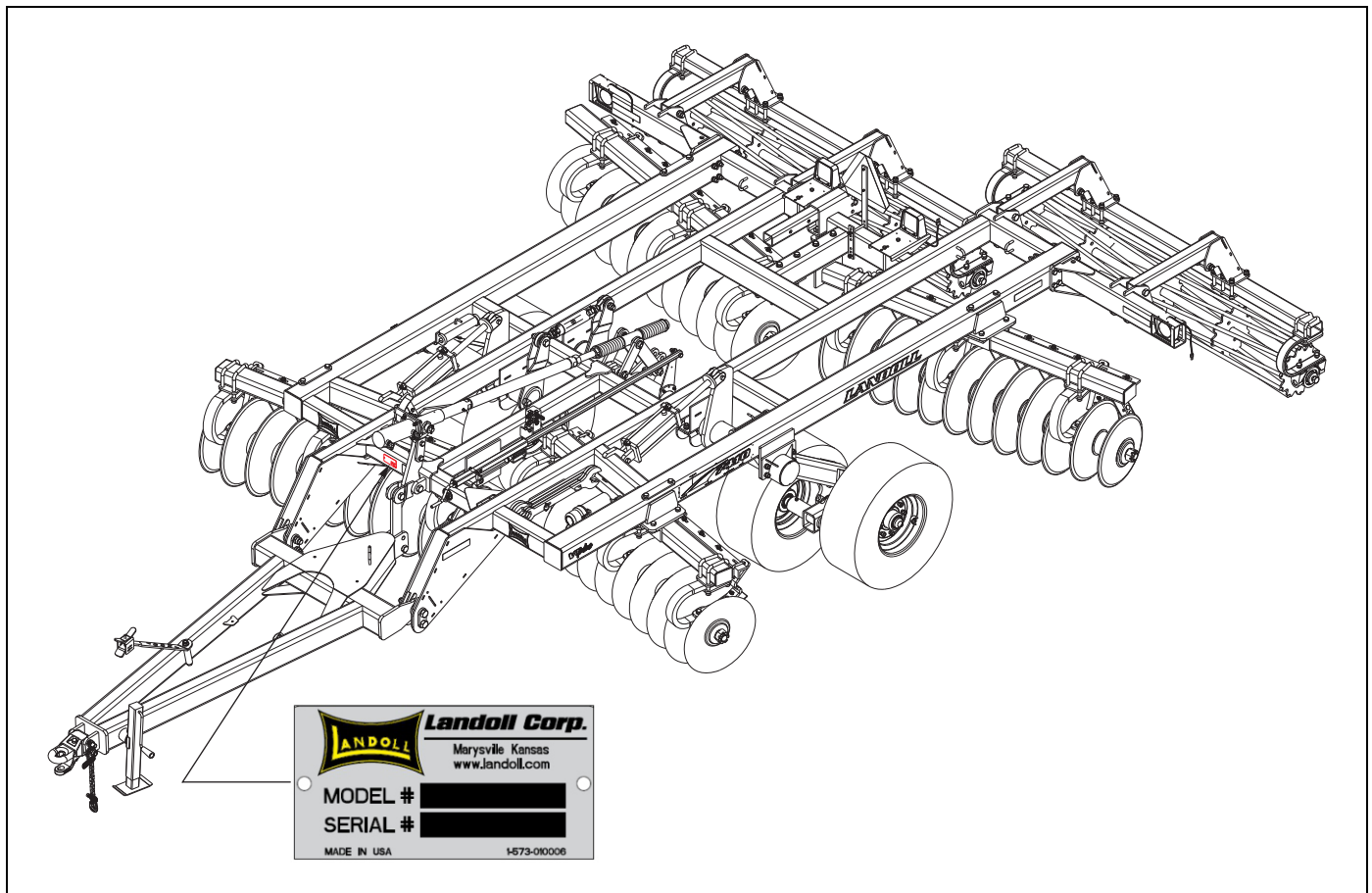
Fax #: **888-527-3909**

### IDENTIFICATION PLATE

The identification plate, which lists the model number and serial number, is located on the front of the frame (See **Figure 1-1.**)

### SERIAL NUMBER NOMENCLATURE

The serial number for the 7410 VT Plus is located on the identification plate.



**Figure 1-1: Identification Plate and Location**



# Illustrated Parts List

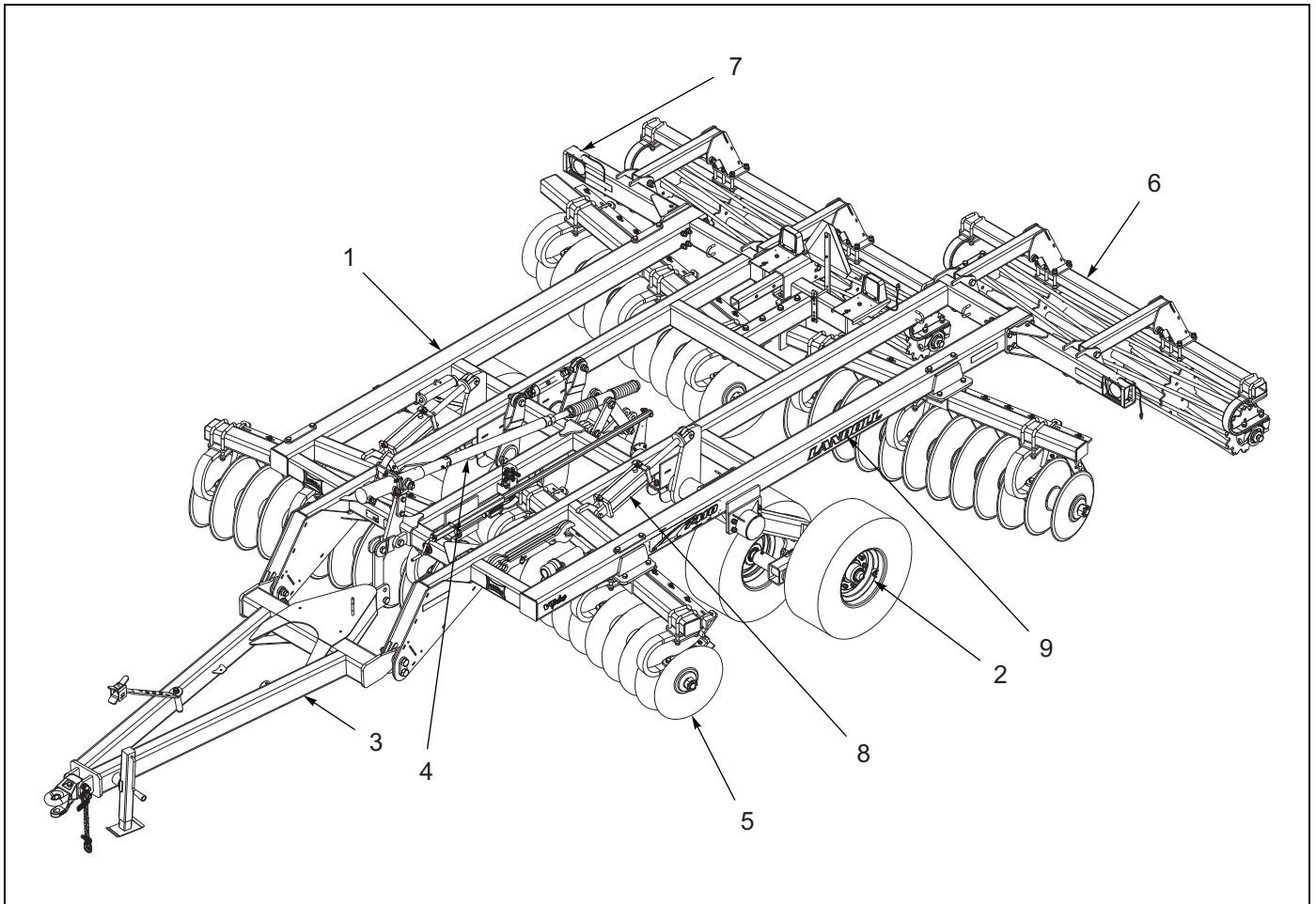


Figure 2-1: General Assembly

## GENERAL ASSEMBLY

ITEM	PAGE NO.	DESCRIPTION	QTY.
1	2-2 - 2-3	FRAME ASSEMBLY	
2	2-4 - 2-7	LIFT WHEEL ASSEMBLY	
3	2-8 - 2-15	HITCH AND LEVELING LINKAGE ASSEMBLIES	
4	2-16 - 2-19	MANUAL AND HYDRAULIC LEVELER ASSEMBLIES	
5	2-20 - 2-23	DISC GANG ASSEMBLIES	
6	2-24 - 2-44	CONDITIONER REEL ASSEMBLIES	
7	2-46 - 2-49	ELECTRICAL ASSEMBLIES	
8	2-50 - 2-53	HYDRAULIC ASSEMBLIES	
9	2-54 - 2-55	DECAL INSTALLATION	

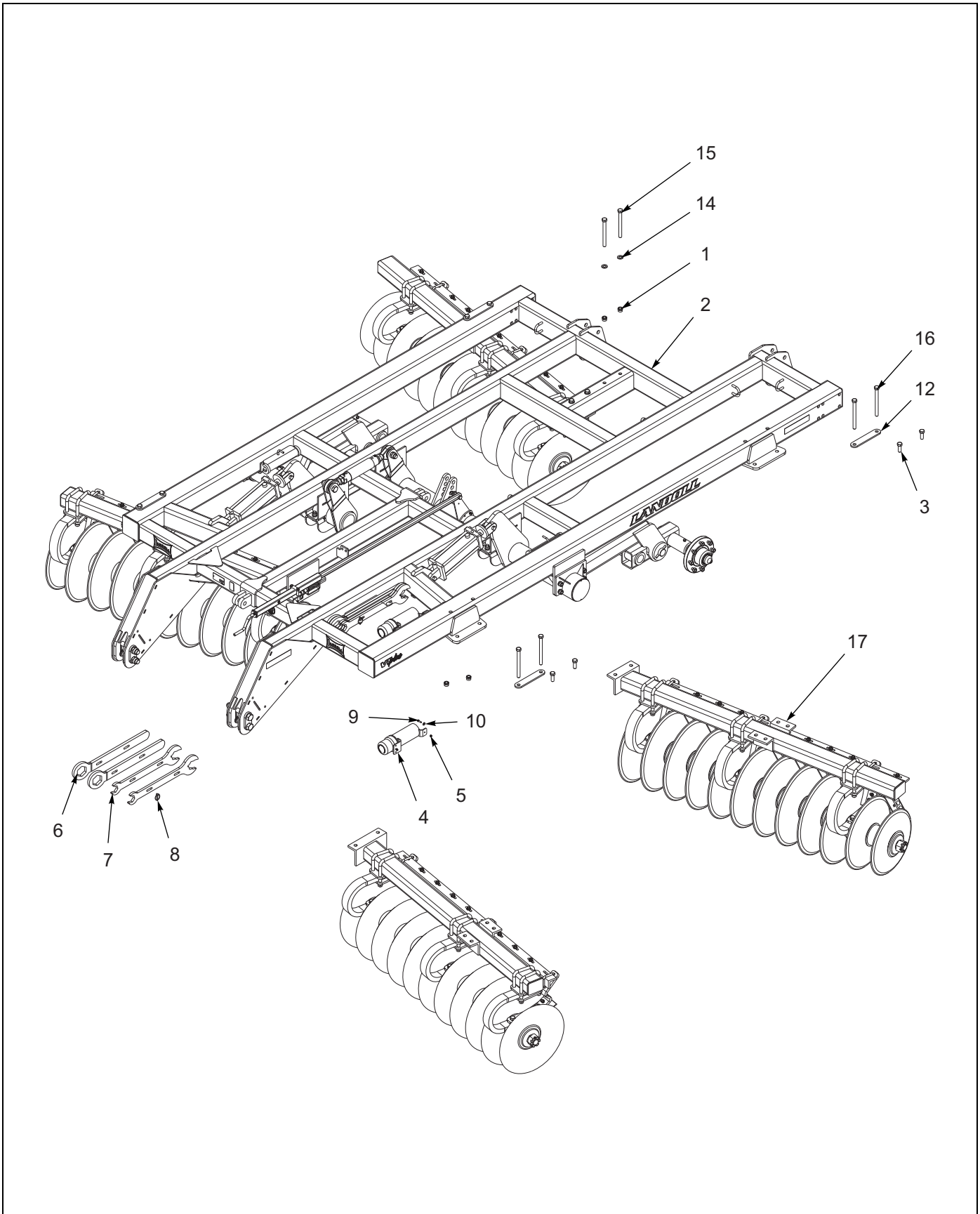


Figure 2-2: Frame Assembly



**FRAME ASSEMBLY**

ITEM	PART NO.	DESCRIPTION	QTY.
1	1-512-010005-15	NUT, HEX LOCK 3/4-10 GRB	
2	161599	FRAME, CENTER	
3	1-654-010032-05	SCREW, HEX HEAD CAP 3/4-10 X 2 GR8	
4	142753	MANUAL HOLDER	
5	1-512-010005-01	NUT, HEX LOCK 1/4-20	
6	140533	GANG WRENCH	
7	141109	ADJUSTMENT WRENCH	
8	70239854	PIN, QUICK HITCH	
9	1-654-010047-06	SCREW, HEX HEAD CAP 1/4-20 X 1 GR5	
10	1-861-010032-07	WASHER, FLAT 1/4	
11	158850	PLATE, CLAMP	
12	107491	SCREW, HEX HEAD CAP 3/4-10 X 8-1/2 GR8	
13	1-861-010032-20	WASHER, FLAT 3/4N	
14	162249	SCREW, HEX HEAD CAP 3/4-10 X 8 GR8	
15	-----	DISC GANG ASSEMBLY (SEE PAGE 2-21)	

# ILLUSTRATED PARTS LIST

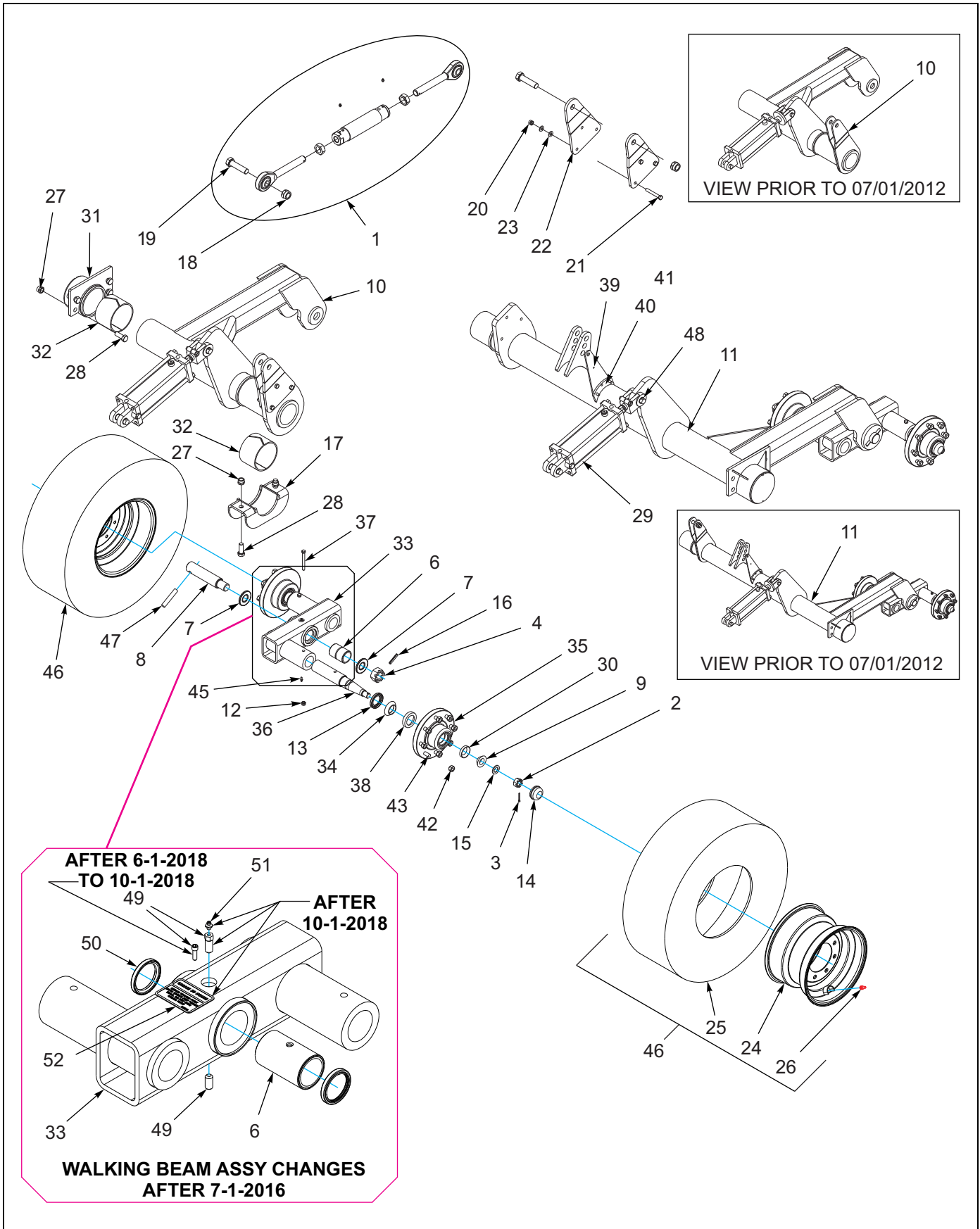


Figure 2-3: Lift Wheel Assembly, Frame

**LIFT WHEEL ASSEMBLY**

ITEM	PART NO.	DESCRIPTION	QTY.
1	158844	RADIUS ROD, LIFT ASSEMBLY <b>(SEE PAGE 2-7)</b>	
2	1-516-010001-20	NUT, HEX SLOT 1-14	
3	1-557-010362-51	PIN, COTTER 3/16 X 1-1/2	
4	119118	NUT, HEX SLOTTED 1-1/2-12	
6	158903	BUSHING, SPRING 2-1/2 X 2 X 4-5/8 <b>(172962)</b>	
6	200310	ASSY, TANDEM PIVOT-2" <b>(198342)</b>	
7	160597	WASHER, THRUST 2" <b>(4" OD) (BEFORE 01/01/2013)</b>	
7	171070	WASHER, THRUST 2" <b>(3-11/16" OD) (AFTER 01/01/2013)</b>	
8	157019	SPINDLE, WALKING BEAM	
9	1-076-010007	CONE, OUTER BEARING	
10	158745	LIFT, CENTER RIGHT <b>(ITEMS 20-23, &amp; 48)</b>	
11	158746	LIFT, CENTER LEFT <b>(ITEMS 20-23, &amp; 48)</b>	
12	101988	NUT, HEX LOCK 7/16-14 GRB	
13	140554	SEAL, GREASE	
14	141236	DUST CAP, WHEEL HUB	
15	141238	WASHER, SPINDLE	
16	127712	PIN, SPRING SLOTTED 3/8 X 2-1/4	
17	141234	BEARING CAP, LIFT	
18	1-512-010005-19	NUT, HEX LOCK 1-8 GRB	
19	1-654-010065-13	SCREW, HEX HEAD CAP 1-8 X 4 GR5	
20	1-512-010005-09	NUT, HEX LOCK 1/2-13 GRB	
21	1-654-010055-11	SCREW, HEX HEAD CAP 1/2-13 X 3-1/2 GR5	
22	171063	PLATE, OFFSET	
23	1-861-010032-14	WASHER, FLAT 1/2	
24	140548	WHEEL, 15 X 10, 8 BOLT	
25	204385	TIRE, FIRESTONE RADIAL 320/70R15 <b>(AFTER 11-1-2016)</b>	
26	415	VALVE STEM	
27	1-512-010005-15	NUT, HEX LOCK 3/4-10 GRB	
28	1-654-010061-05	SCREW, HEX HEAD CAP 3/4-10 X 2 GR5	
29	140470	CYLINDER, 4 X 10 REPHASE <b>(SEE PAGE 2-52)</b>	
30	1-076-010010	CUP, BEARING	
31	141209	BEARING CAP, LIFT	
32	140519	BEARING, UHMW 4"	
33	172962	WALKING BEAM, 2-1/4 SPINDLE <b>(WHEN REPLACING, ORDER QTY 2 OF P/N 171070) (PRIOR TO 7-1-2016)</b>	
33	198342	WALKING BEAM ASSY, 2-1/4" <b>(AFTER 7-1-2016)</b>	
34	140595	CONE, BEARING	
35	140646	HUB W/ CUPS 8 BOLT <b>(ITEMS 30 &amp; 38)</b>	
36	141198	SPINDLE 2-1/4"	
37	141809	SCREW, HEX HEAD CAP 7/16-14 X 4 GR5	
38	140594	CUP, BEARING INNER	
39	141227	PLATE, DEPTH STOP MOUNT	
40	1-512-010005-05	NUT, HEX 3/8-16 GRB	
41	1-654-010051-06	SCREW, HEX HEAD CAP 3/8-16 X 1-1/4 GR5	
42	102600	LUG NUT <b>(8 BOLT)</b>	
43	143067	STUD BOLT <b>(8 BOLT)</b>	
44	147553	8 BOLT HUB/SPINDLE ASSY, 2-1/4" <b>(ITEMS 2-3,9,13-15, &amp; 34-36)</b>	
45	153804	FITTING, GREASE 1/4-28 STR LONG <b>(BEFORE 01/01/2013)</b>	
45	171024	FITTING, GREASE 1/4-28 STR SHORT <b>(AFTER 01/01/2013)</b>	

**LIFT WHEEL ASSEMBLY**

<b>ITEM</b>	<b>PART NO.</b>	<b>DESCRIPTION</b>	<b>QTY.</b>
46	184708	TIRE & WHEEL ASSY, 320/70R15, 8 BOLT WHEEL <b>(AFTER 11-1-2016)</b>	
47	156992	PIN, WALKING BEAM SPINDLE	
48	2-150-010008	BUSHING, 1-1/4 X 1 ID STEEL	
49	200129	5/16-24X1 SOCKET HD CUP PT <b>(198342) (BEFORE 6-1-2018)</b>	
49	15G816ER	SCREW SET SOC HD CPPT.5-13X1 <b>(AFTER 6-1-18 TO 10-1-2018)</b>	
49	212046	SCREW, SET FOR ZERK <b>(AFTER10-1-2018)</b>	
50	198322	SEAL, V17, DOUBLE LIP 2" <b>(198342)</b>	
51	1-298-010001-1	ZERK FITTING 1/4 SAE <b>(AFTER 10-1-2018)</b>	
52	215341	DECAL, GREASE WALKER <b>(AFTER 10-1-2018)</b>	

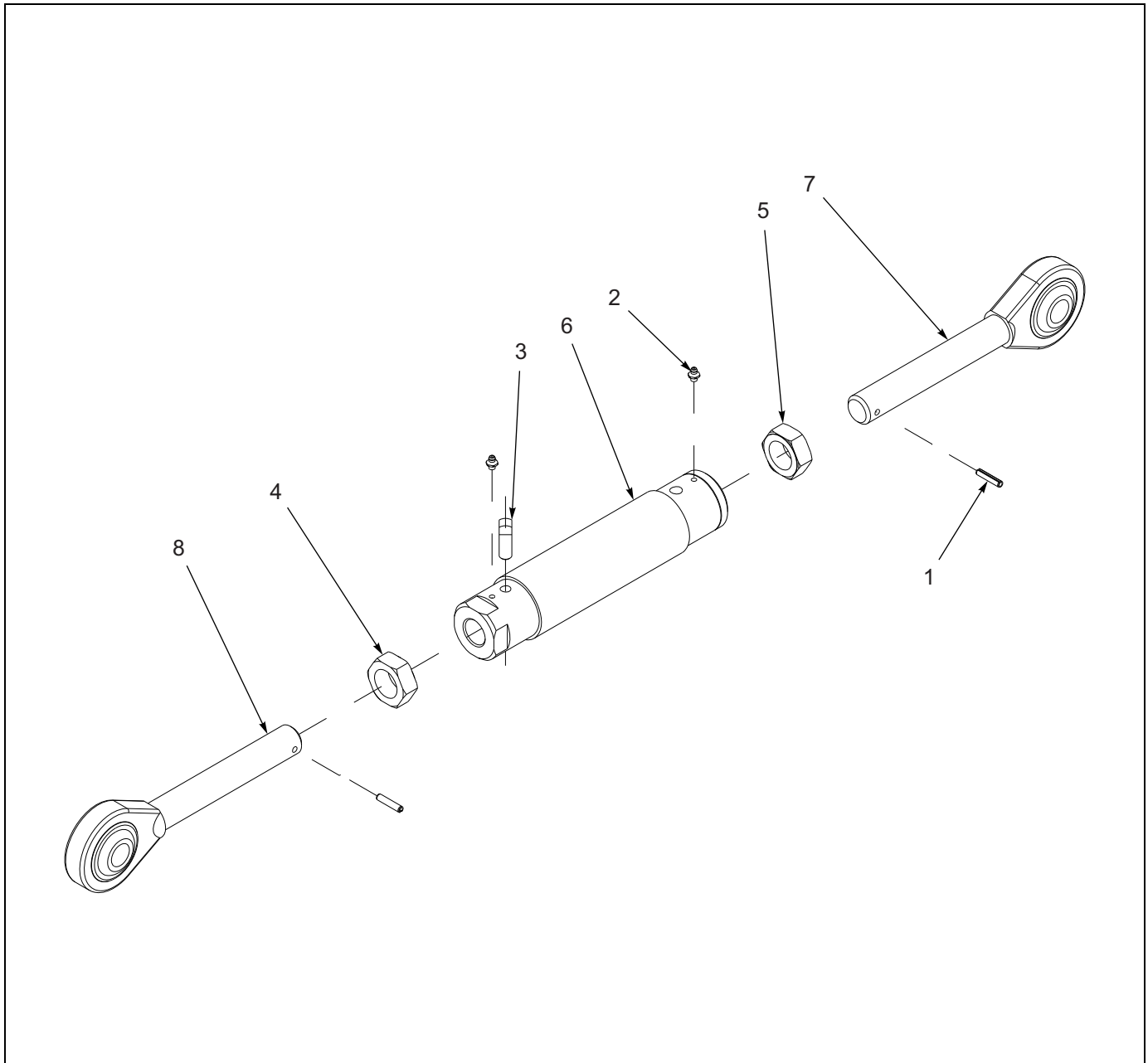


Figure 2-4: Lift Radius Rod Assembly

## LIFT RADIUS ROD ASSEMBLY

ITEM	PART NO.	DESCRIPTION	QTY.
	158844	LIFT RADIUS ROD ASSEMBLY	
1	0600-250-01250	ROLL PIN 1/4 X 1-1/4	2
2	1-298-010001-1	ZERK FITTING	2
3	1-654-010080-02	SET SCREW, SQ HEAD CUP POINT 1/2 X 1-1/4	1
4	100823	NUT, HEX JAM 1-1/4-7 GRB	1
5	153803	NUT, HEX JAM LH 1-1/4-7	1
6	158843	RADIUS ROD WELDMENT, 13"	1
7	2-654-010097	SCREW, LH RADIUS ROD	1
8	2-654-010098	SCREW, RH RADIUS ROD	1



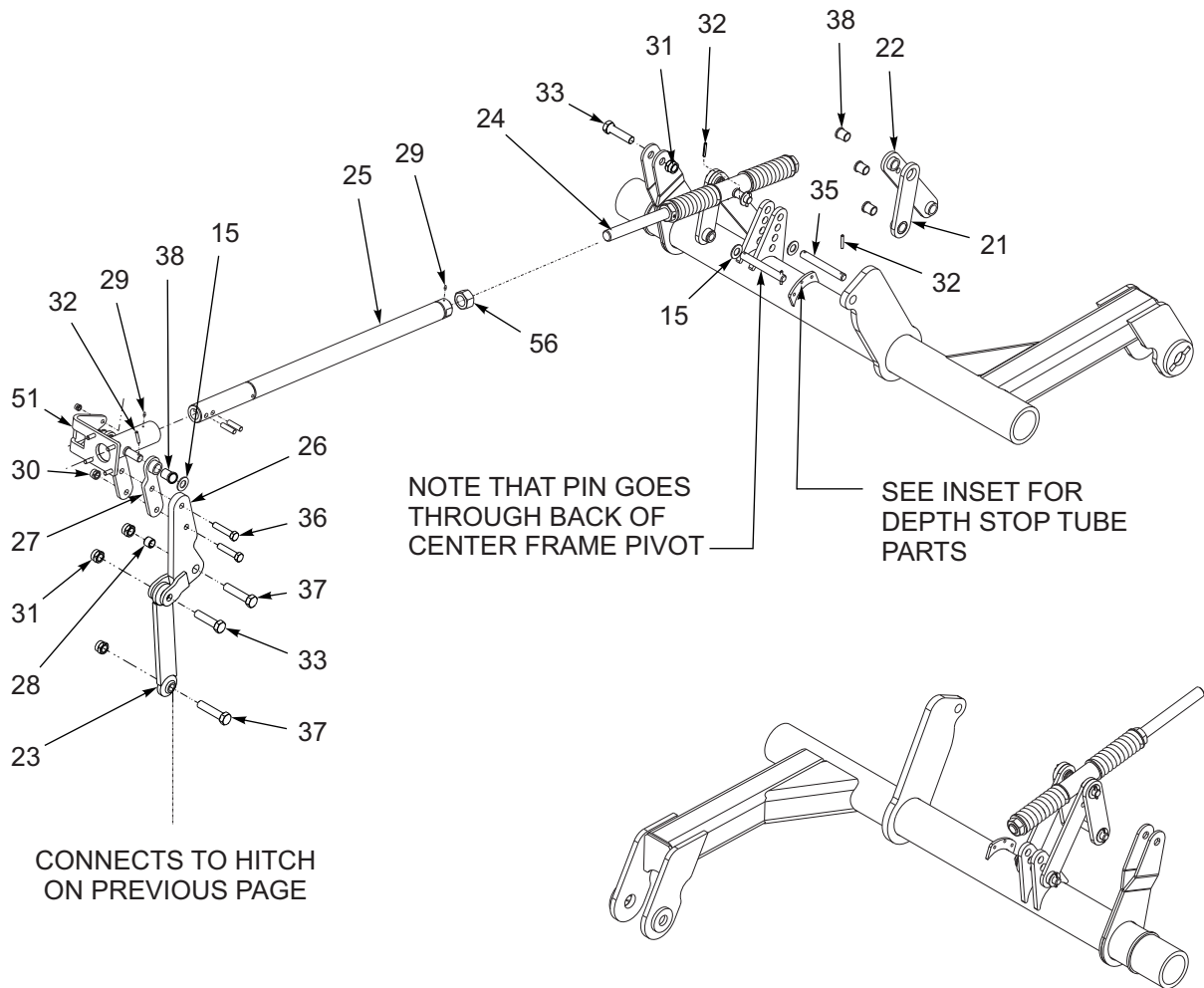
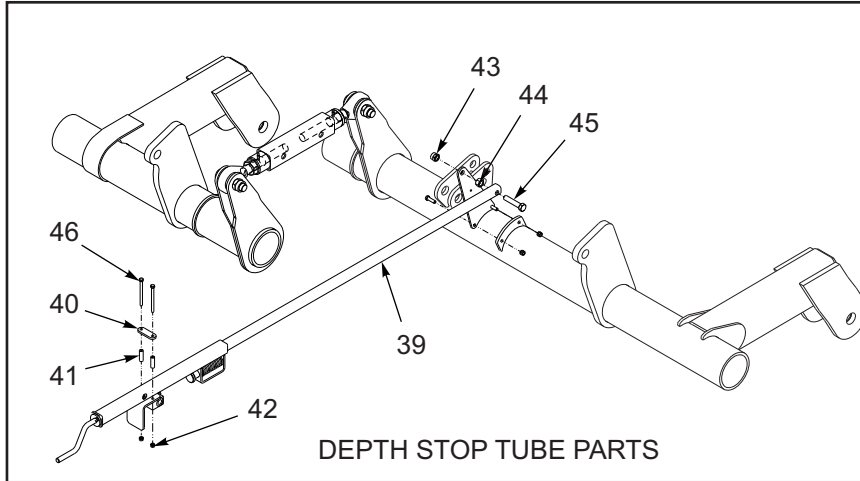


Figure 2-6: Hitch and Leveling Linkage Assembly (2 of 2)

## HITCH AND LEVELING LINKAGE ASSEMBLY

ITEM	PART NO.	DESCRIPTION	QTY.
1	140575	HITCH WELDMENT	1
2	140647	JACK, SIDEWIND 7,000LB (NOT SHOWN) (SEE PAGE 2-13)	1
3	141246	BRACKET, HOSE HOLDER	1
4	141247	CLAMP, HOSE HOLDER	1
5	141249	WING NUT, HOSE HOLDER	1
6	141252	PLATE, HITCH MOUNT	4
7	156950	SAFETY CHAIN 41,000 LB.	1
8	103841	NUT, FLANGE PREVAILING TORQUE 3/4-10	2
9	1-512-010005-01	NUT HEX LOCK 1/4-20 GRB	2
11	1-512-010007-07	NUT, HEX 3/8-16	1
12	1-512-010047-06	SCREW, HEX HEAD CAP 1/4-20 X 1 GR5	2
13	1-654-010061-19	SCREW, HEX HEAD CAP 3/4-10 X 7 GR5	1
14	153696	BOLT, HITCH CLEVIS	1
15	1-861-010032-24	WASHER, FLAT 1N	AR
16	141253	SCREW, HEX HEAD CAP 1-1/8-7 X 7-1/2	4
17	141254	NUT, HEX LOCK 1-1/8-7	4
18	141255	BUSHING, MACHINE 1-1/8 X 14GA	4
19	141256	BUSHING, MACHINE 1-1/8 X 10GA	10
20	141807	SCREW, ALL THREAD 3/8-16 X 3-1/2	1
21	142643	LINK WELDMENT, LEVELER 8"	2
22	158778	LINK ASSEMBLY, LEVELER 13"	2
23	140606	LINK, LEVELER BALL JOINT	1
24	140607	LEVELER SCREW ASSEMBLY (SEE PAGE 2-14)	1
25	140616	LEVELER TUBE	1
26	140619	LINK, LEVELER L	1
27	142645	LEVELER CROSS BRACKET WLDMT (PART OF 140525)	REF
27	142646	LEVELER CROSS BRACKET WLDMT (PART OF 140526)	REF
28	2-150-010008	BUSHING, 1-1/4 X 1 ID STEEL	1
29	1-298-010001-1	ZERK FITTING 1/4	1
30	1-512-010005-15	NUT, HEX LOCK 3/4-10 GRB	2
31	1-512-010005-19	NUT, HEX LOCK 1-8 GRB	5
32	1-647-010004240	PIN, SPRING SLOTTED 5/16 X 2-1/2	8
33	1-654-010065-13	SCREW, HEX HEAD CAP 1-8 X 4 GR5	1
34	2-375-010601	HITCH, RING, CAT III	1
34	2-375-010602	HITCH RING, CAT IV	1
35	141243	PIN, LEVELER	2
36	141776	SCREW, HEX HEAD CAP 3/4-10 X 3-1/2 GR5	2
37	141777	SCREW, HEX HEAD CAP 1-8 X 4-1/2 GR5	2
38	2-073-010012	BEARING FLANGE	8
39	141220	TUBE ASSEMBLY, DEPTH STOP (SEE PAGE 2-15)	1
40	141224	PLATE, DEPTH STOP	1
41	141225	SPACER, DEPTH STOP	2
42	1-512-010005-03	NUT, HEX LOCK 5/16-18	2
43	1-512-010005-13	NUT, HEX LOCK 5/8-11 GRB	1
44	1-512-010007-11	NUT, HEX 5/8-11 GRB	1
45	1-654-010059-09	SCREW, HEX HEAD CAP 5/8-11 X 3 GR5	1
46	123579	SCREW, HEX HEAD CAP 5/16-18 X 4	2
47	100844	HITCH AND CLEVIS, CAT III (INCL ITEMS 34, 48-50)	1



## HITCH AND LEVELING LINKAGE ASSEMBLY

ITEM	PART NO.	DESCRIPTION	QTY.
48	1-512-010008-12	NUT, HEX 3/4-16 GRB	1
49	1-654-010087-16	SCREW, HEX HEAD CAP 3/4-16 X 5-1/2 GR8	1
50	100214	HITCH, CLEVIS	1
51	140526	HYDRAULIC LEVELER ASSEMBLY (SEE PAGE 2-19)	1
51	140525	MANUAL LEVELER ASSY (NOT SHOWN)(SEE PAGE 2-16)	1
52	1-512-010005-05	NUT, HEX LOCK 3/8-16 GRB	1
53	1-654-010051-11	SCREW, HEX HEAD CAP 3/8-16 X 2-1/2 GR5	1
53	1-654-010051-13	SCREW, HEX HEAD CAP 3/8-16 X 3 GR5	1
54	1-861-010032-11	WASHER, FLAT 3/8W	1
55	2-181-010001	HOSE CLAMP	AR
56	102351	NUT, HEX 1-1/2 - 6 GRB	REF
57	161550	HITCH CLEVIS, DOUBLE 1-9/16"	1
58	1-654-010125-22	SCREW, HEX HEAD CAP 1-8 X 8-1/2 GR8	1
59	1-512-010005-09	NUT, HEX LOCK 1/2-13 GRB	2
60	174695	CLAMP, HOSE HOLDER	1
61	131081	SCREW, HEX HEAD CAP 1/2-13 X 11 GR5	2
62	189451	HITCH, BALL CAT IV, 3-HOLE	1

## ILLUSTRATED PARTS LIST

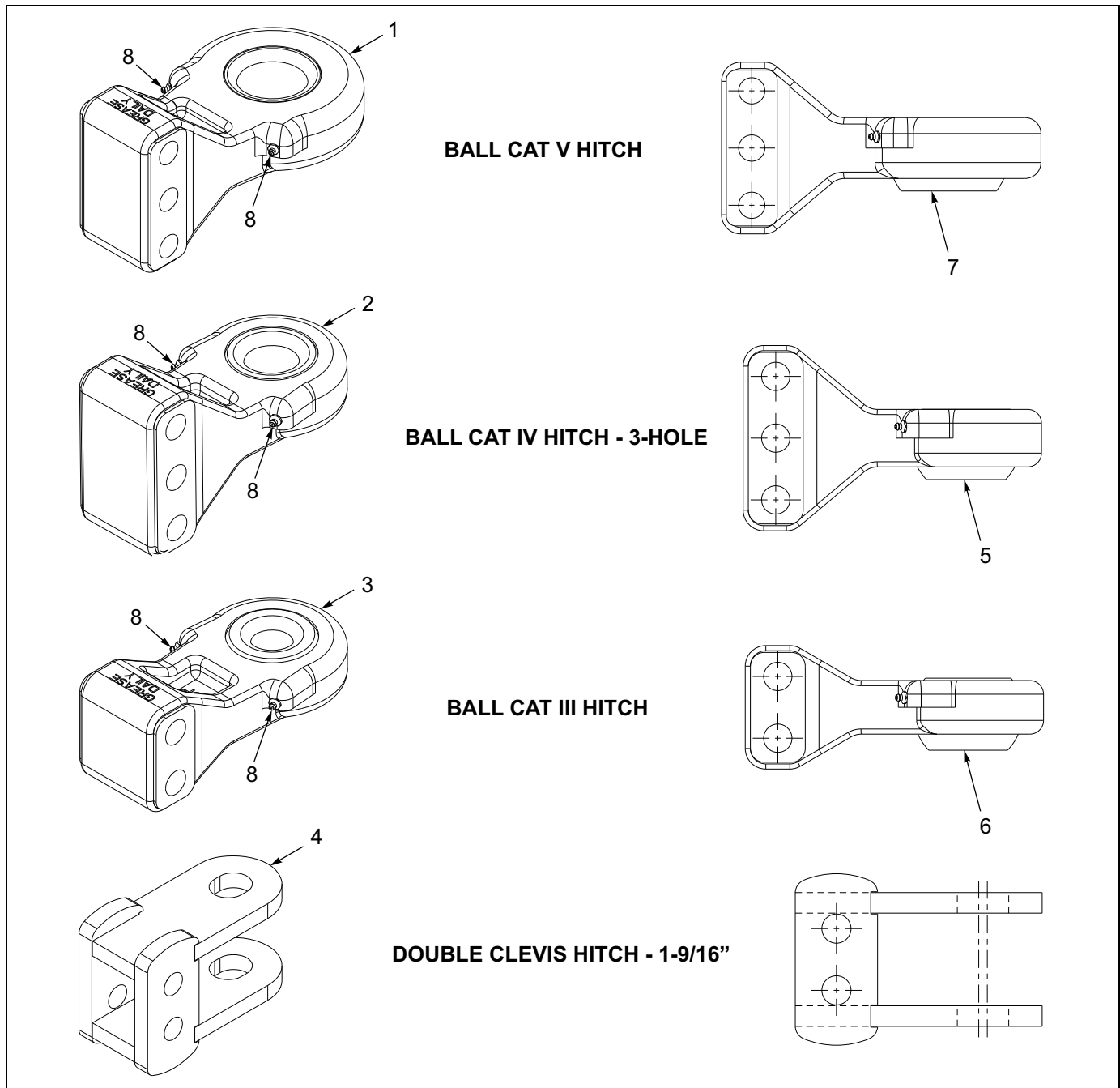


Figure 2-7: Hitch Assemblies

## HITCH ASSEMBLIES

ITEM	PART NO.	DESCRIPTION	QTY.
1	177032	HITCH, BALL V	1
2	189451	HITCH, BALL CAT IV, 3-HOLE	1
3	177030	HITCH, BALL CAT III	1
4	161500	HITCH CLEVIS, DOUBLE 1-9/16"	1
5	189454	BUSHING, SPHERICAL, 2" ID	1
6	189453	BUSHING, SPHERICAL, 1-1/2" ID	1
7	189468	BUSHING, SPHERICAL, 2-3/4" ID	1
8	1-298-010001-01	ZERK	1

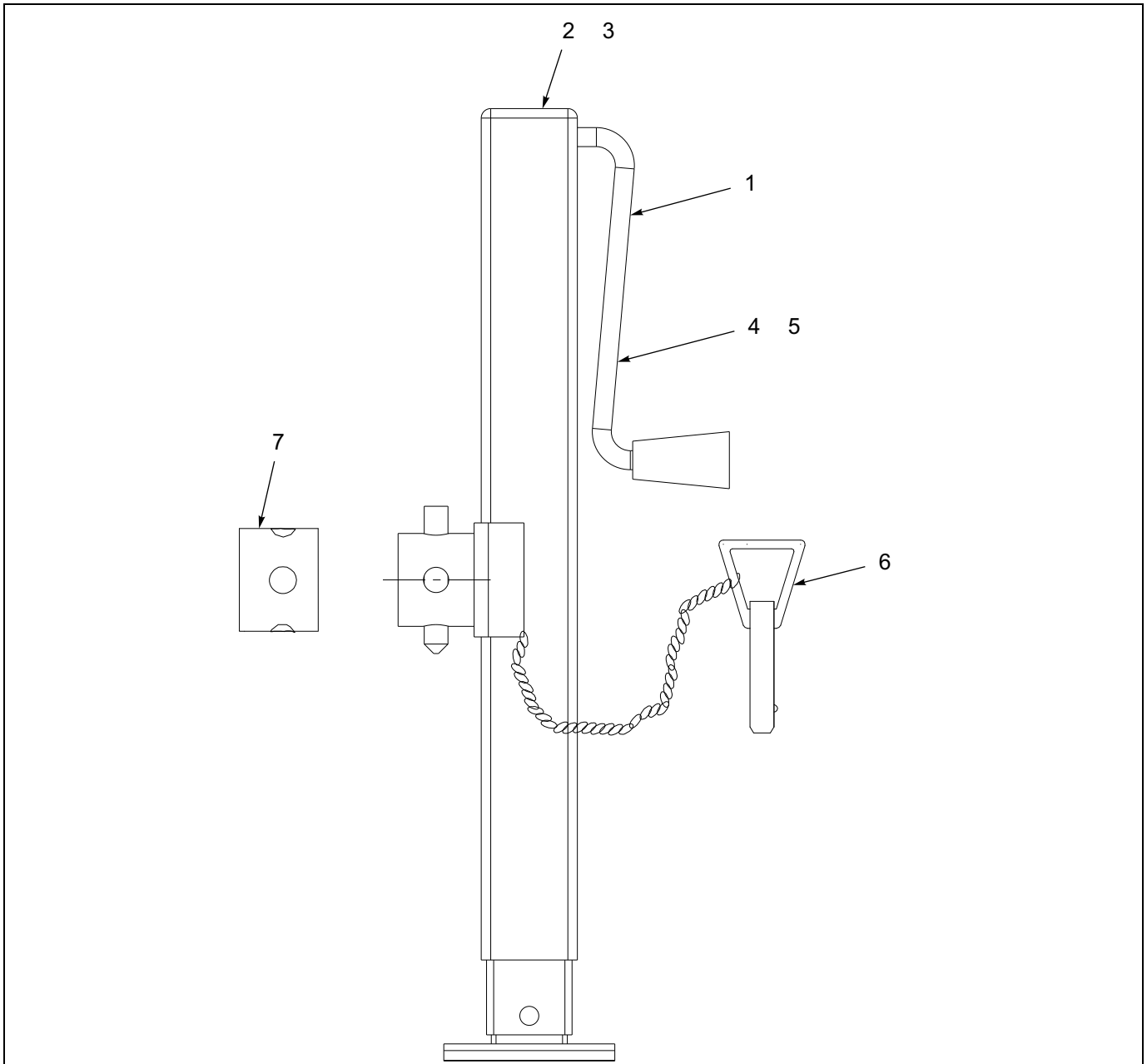
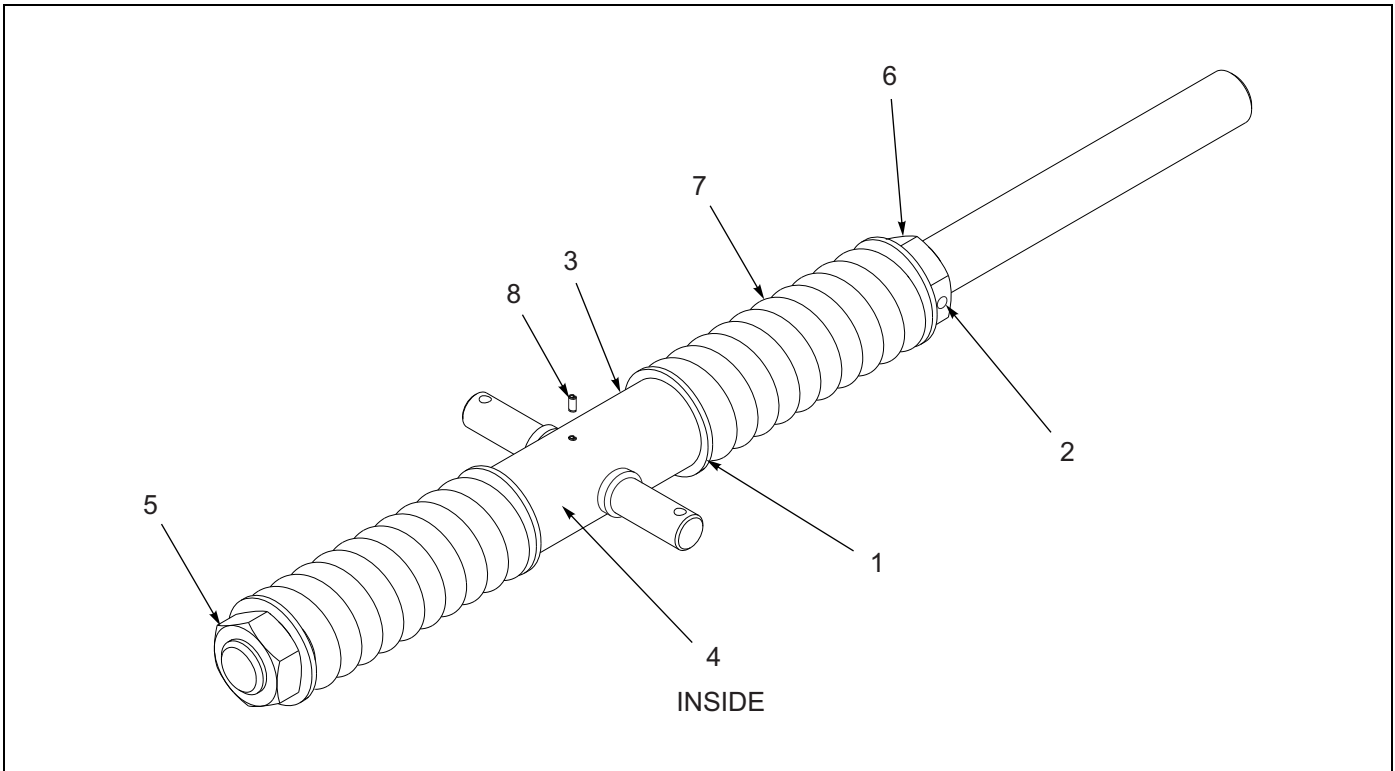


Figure 2-8: 7,000 Lb. Sidewind Jack Assembly

## 7,000 Lb. Sidewind Jack Assembly

ITEM	PART NO.	DESCRIPTION	QTY.
	140647	JACK, SIDEWIND 7000LB	
1	142189	9" HANDLE KIT (USED WITH NORTHFIELD JACK)	1
1	500171	9" HANDLE KIT (USED WITH BULLDOG JACK)	1
2	142190	GEAR KIT (USED WITH NORTHFIELD JACK)	1
3	142191	BEARING KIT (USED WITH NORTHFIELD JACK)	1
4	142192	BLACK HANDLE (USED WITH NORTHFIELD JACK)	1
5	142193	RETAINING CLIP (USED WITH NORTHFIELD JACK)	1
6	142194	5/8" PIN AND CHAIN - L (USED WITH NORTHFIELD JACK)	1
6	2-557-010426	PIN, DETENT 5/8 DIA W/CHAIN (USED WITH BULLDOG JACK)	1
7	141250	TUBE, RD, JACK MOUNT (WELD TO IMPLEMENT FRAME)	1



**Figure 2-9: Leveler Screw Assembly**

**LEVELER SCREW ASSEMBLY**

<b>ITEM</b>	<b>PART NO.</b>	<b>DESCRIPTION</b>	<b>QTY.</b>
	140607	LEVELER SCREW ASSEMBLY	
1	1-861-010032-32	WASHER, FLAT 1-1/2	4
2	122709	SCREW, SET HEX SOCKET CUP PT 3/8-16 X 1/2	1
3	140598	CROSS, LEVELER15	1
4	140599	BEARING, FLANGE 1-1/2	2
5	140609	SCREW, LEVELER	1
6	140610	NUT, HEX JAM W/O SET SCREW	1
7	140649	SPRING, LEVELER	2
8	1-298-010001-1	ZERK, FITTING 1/4	1

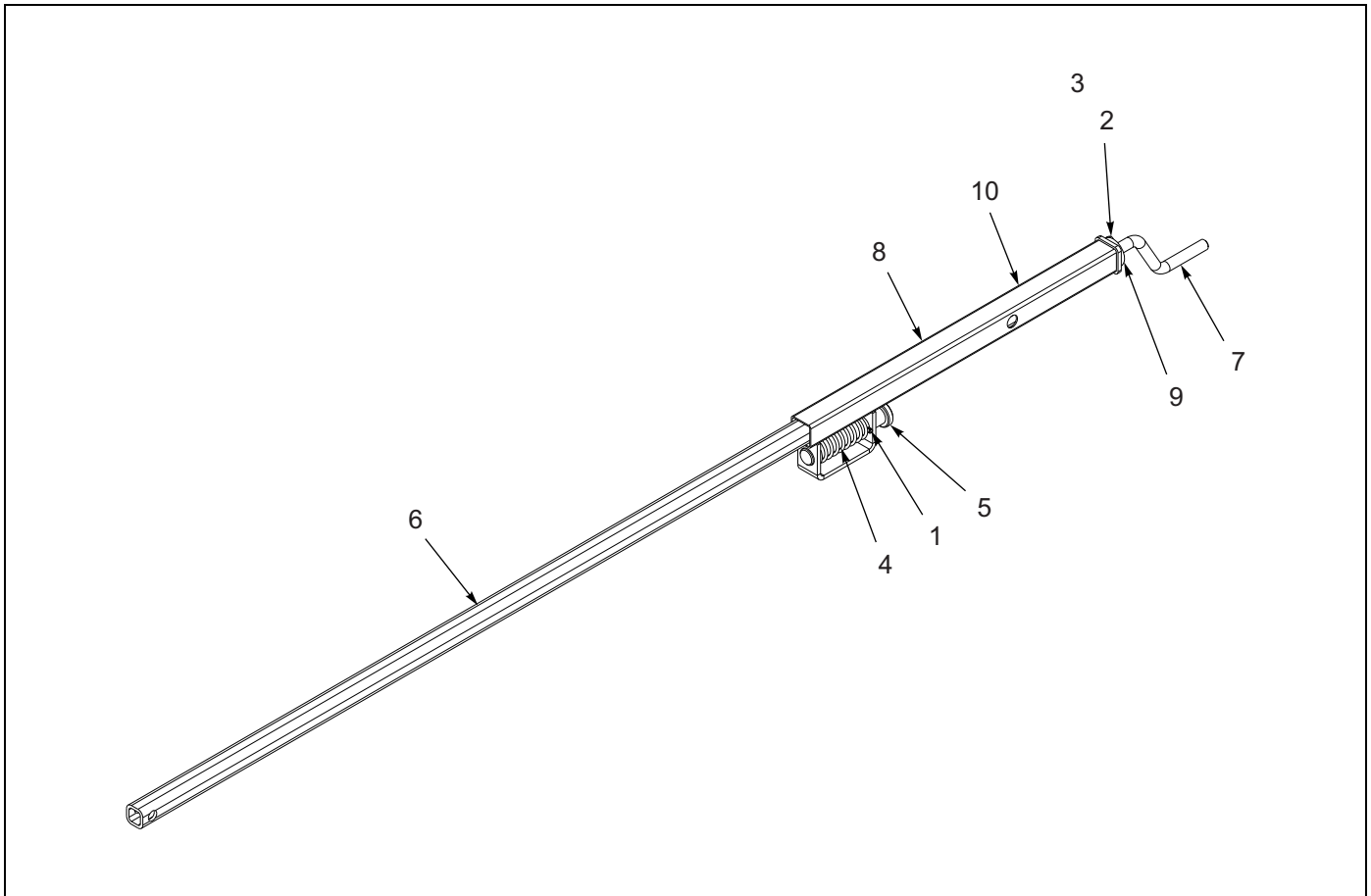


Figure 2-10: Depth Stop Tube Assembly

## DEPTH STOP TUBE ASSEMBLY

ITEM	PART NO.	DESCRIPTION	QTY.
	141220	TUBE ASSEMBLY, DEPTH STOP	
1	1-647-010004217	PIN, SPRING SLOTTED 1/4 X 1-1/2	1
2	1-654-010047-04	SCREW, HEX HEAD CAP 1/4-20 X 3/4 GR5	1
3	1-861-010034-09	WASHER, SPLIT LOCK 1/4	1
4	122917	SPRING, COMPRESSION 4-1/2 MONO	1
5	141213	PIN, DEPTH STOP	1
6	141216	TUBE, DEPTH STOP	1
7	141217	HANDLE, DEPTH STOP	1
8	141222	TUBE, DEPTH STOP	1
9	141223	WASHER, DEPTH STOP	1
10	141262	DECAL, DEPTH STOP INDICATOR	1

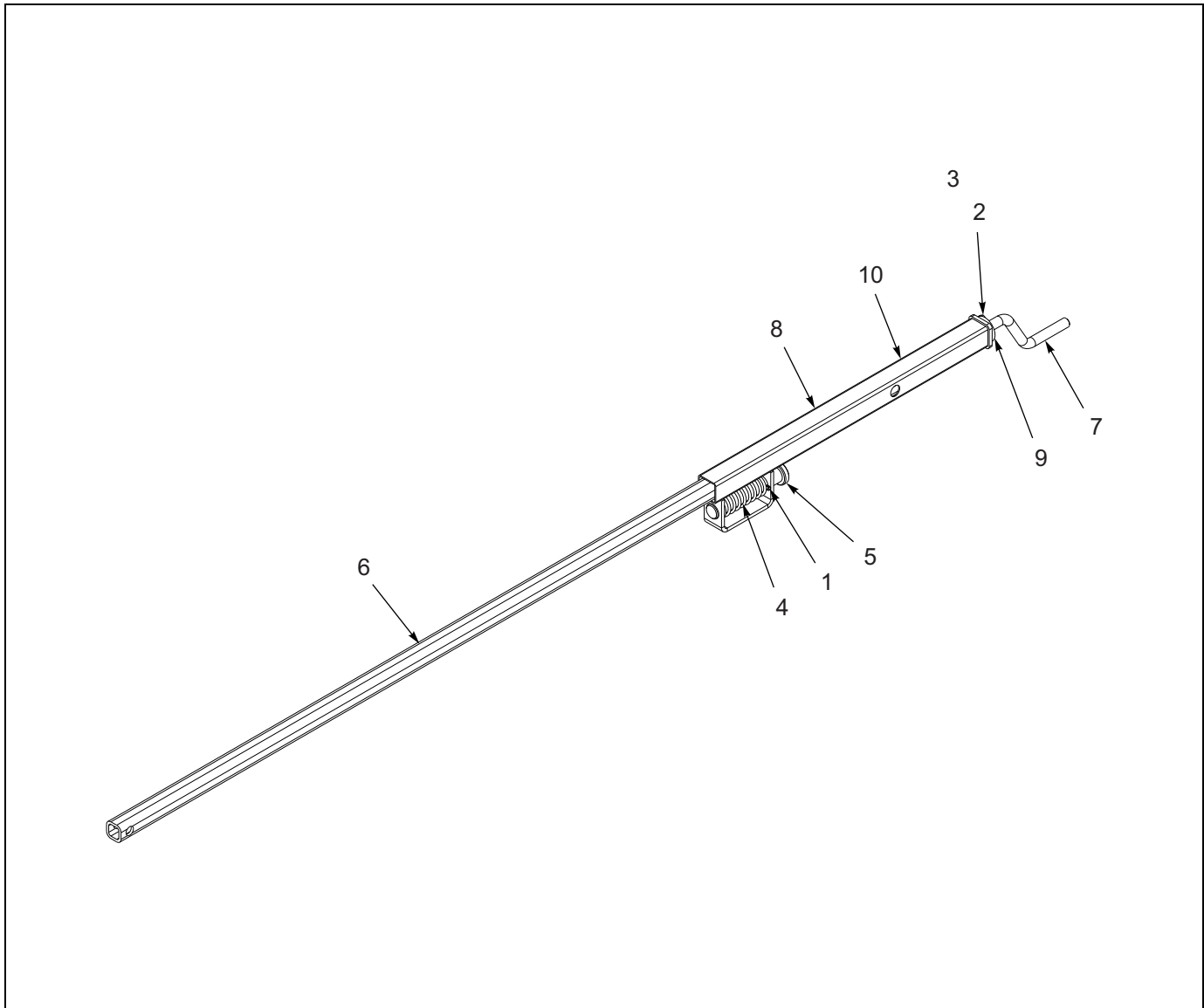


Figure 2-11: Manual Leveler Assembly

## MANUAL LEVELER ASSEMBLY

ITEM	PART NO.	DESCRIPTION	QTY.
	140525	LEVELER ASSEMBLY, MANUAL	
1	140598	CROSS, LEVELER	1
2	140630	HANDLE, LEVELER	1
3	1-512-010005-13	NUT, HEX LOCK 5/8-11 GRB	2
4	1-654-010059-11	SCREW, HEX HEAD CAP 5/8-11 X 3-1/2 GR5	2
5	1-861-010032-32	WASHER, FLAT 1-1/2	2
6	140599	BEARING, FLANGE 1-1/2	2
7	1-647-010004240	PIN, SPRING SLOTTED 5/16 X 2-1/2	REF
8	2-073-010012	BEARING, FLANGE	REF
9	1-861-010032-24	WASHER, FLAT 1N	REF
10	142645	LEVELER CROSS BRACKET WLDMT (INCL ITEM 8)	1
11	1-298-010001-1	ZERK, FITTING 1/4	1
12	140616	LEVELER TUBE	REF



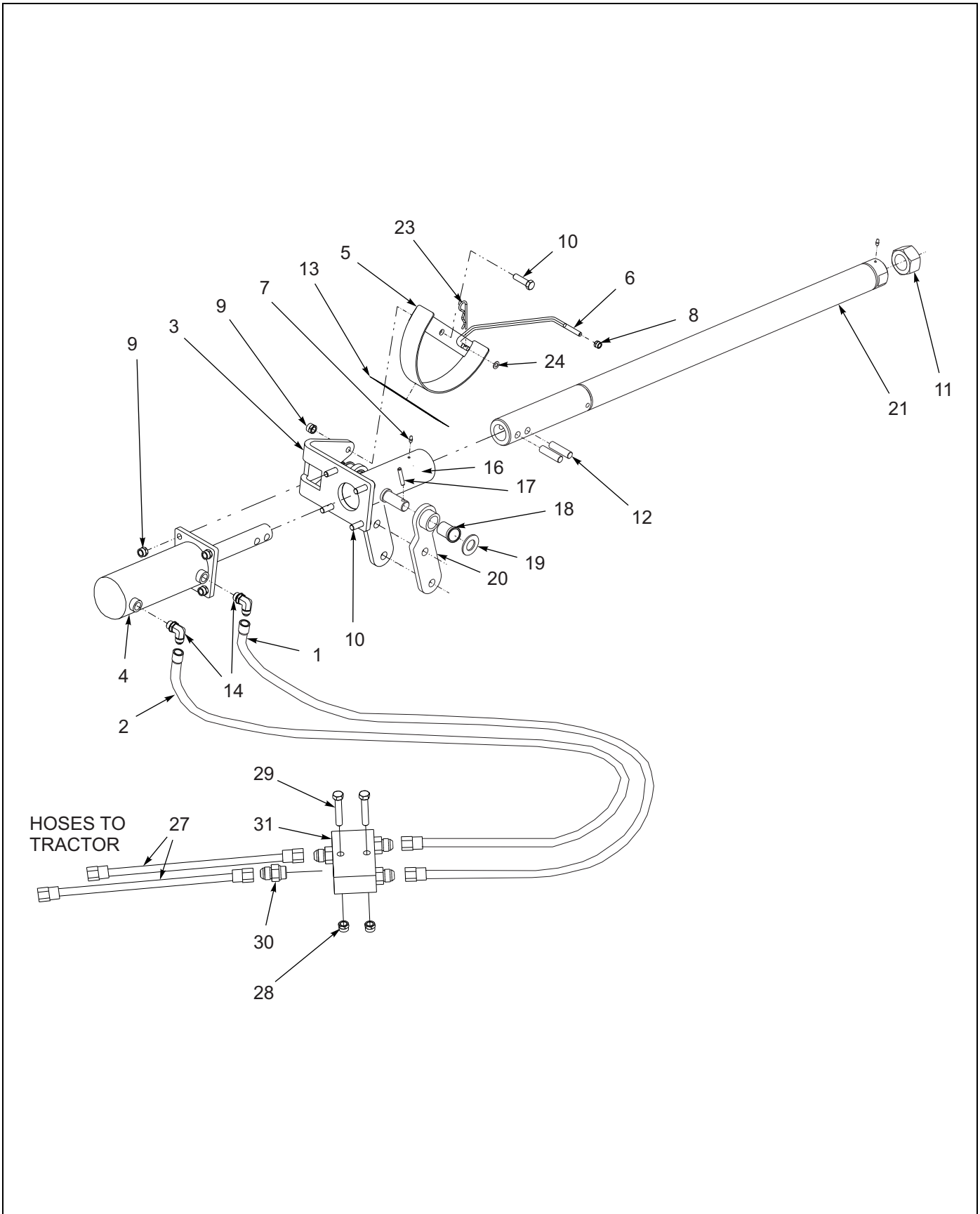


Figure 2-12: Hydraulic Leveler Assembly



## HYDRAULIC LEVELER ASSEMBLY

ITEM	PART NO.	DESCRIPTION	QTY.
	140526	LEVELER ASSEMBLY, HYDRAULIC	
*1	141861	HOSE ASSEMBLY 3/8 X 196 (PRIOR TO 01/01/2013)	1
1	123547	HOSE ASSEMBLY 3/8 X 56 (AFTER 01/01/2013)	1
*2	116489	HOSE ASSEMBLY 3/8 X 204 (PRIOR TO 01/01/2013)	1
2	116489	HOSE ASSEMBLY 3/8 X 64 (AFTER 01/01/2013)	1
3	140625	CROSS, LEVELER	1
4	140631	CYLINDER, 3-1/2 X 6 (SEE PAGE 2-53)	1
5	141241	GAUGE, LEVEL INDICATOR	1
6	141242	ROD, LEVEL INDICATOR	1
7	1-298-010001-1	ZERK FITTING 1/4	1
8	1-512-010005-05	NUT, HEX LOCK 3/8-16 GRB	1
9	1-512-010005-09	NUT, HEX LOCK 1/2-13 GRB	5
10	1-654-010055-05	SCREW, HEX HEAD CAP 1/2-13 X 2 GR5	5
11	102351	NUT, HEX 1-1/2 - 6 GRB	1
12	140627	PIN, LEVELER	2
13	141263	DECAL, LEVEL INDICATOR	1
14	141827	ELBOW 90 W/ 1/32 RESTRICTOR	2
15	141828	COUPLER, MALE 3/4-16 (NOT SHOWN)	2
16	2-573-010330-03	DECAL, LUBRICATION 50 HOURS	1
17	1-647-010004240	PIN SPRING SLOTTED 5/16 X 2-1/2	REF
18	2-073-010012	BEARING FLANGE	REF
19	1-861-010032-24	WASHER, FLAT 1N	REF
20	142646	LEVELER CROSS BRACKET WLDMT (INCL ITEM 18)	2
21	140616	LEVELER TUBE	REF
22	155530	HOSE WRAP, BLACK (NOT SHOWN)	AR
23	1-557-010403	HAIRPIN, 1/8	1
24	1-861-010032-11	WASHER, FLAT 3/8W	1
25	2-181-010001	HOSE CLAMP (NOT SHOWN)	1
26	1-654-010051-13	SCREW, HEX HEAD CAP 3/8-16 X 3 (NOT SHOWN)	1
*27	174721	HOSE ASSEMBLY 3/8 X 140	2
*28	1-512-010005-05	NUT, HEX LOCK 3/8-16 GRB	2
*29	1-654-010051-09	SCREW, HEX HEAD CAP 3/8-16 X 2 GR5	2
*30	202702-8-8S	ADAPTER	4
*31	124696	VALVE, DOUBLE PILOT CHECK	1

\* ITEMS 27 - 31 ARE USED AFTER 01/01/2013 IN ADDITION TO ITEMS 1 AND 2 HOSES DESIGNATED BY DATE.

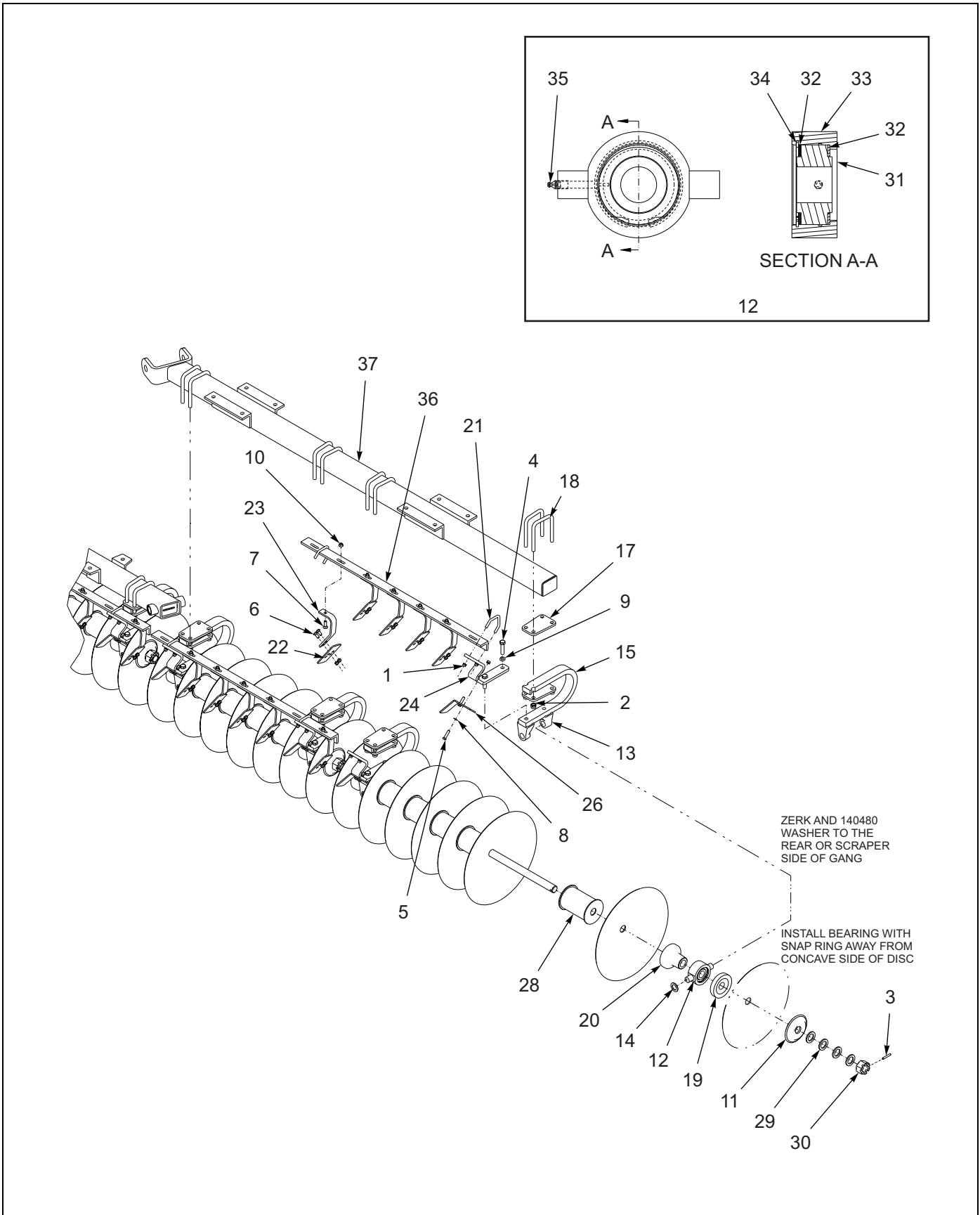


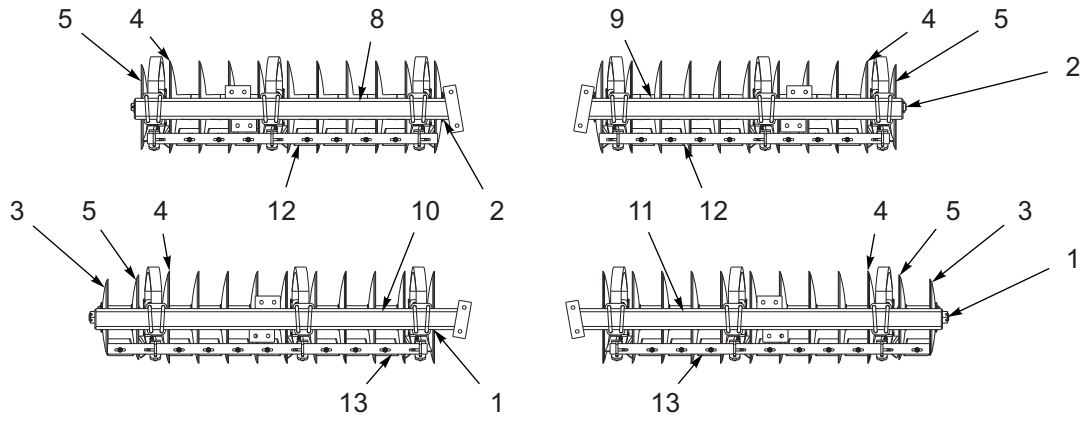
Figure 2-13: Disc Gang Assembly

## DISC GANG ASSEMBLY

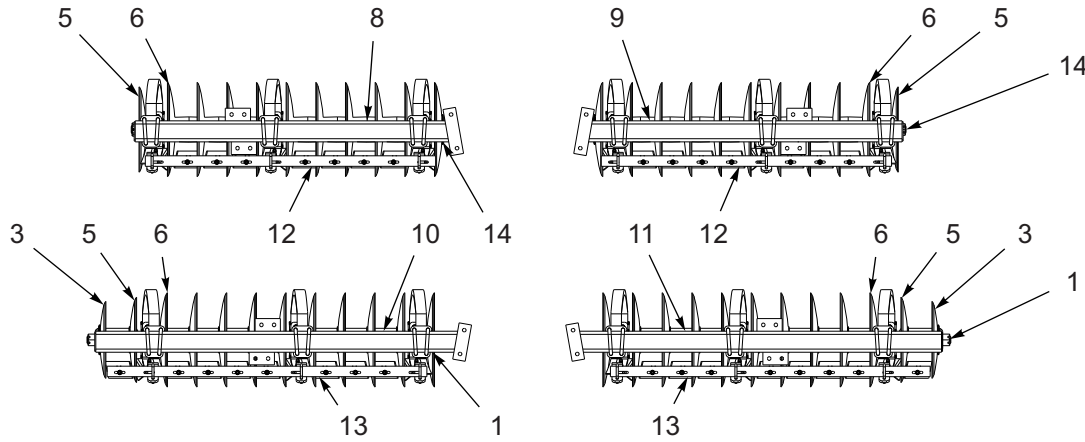
ITEM	PART NO.	DESCRIPTION	QTY.
1	1-512-010005-09	NUT HEX LOCK 1/2-13 GRB	
2	1-512-010005-15	NUT HEX LOCK 3/4-10 GRB	
3	1-647-010004257	PIN, SPRING SLOTTED 3/8 X 2-1/2	
4	1-654-010032-09	SCREW, HEX HEAD CAP 3/4-10 X 3 GR8	
5	1-654-010055-05	SCREW, HEX HEAD CAP 1/2-13 X 2 GR5	
6	1-654-010070-02	SCREW, RD HEAD SQ NECK 1/2-13 X 1-1/4	
7	160161	SCREW, RD HEAD SQ NECK 1/2-13 X 1-3/4	
8	1-861-010032-14	WASHER, FLAT 1/2N	
9	1-861-010034-17	WASHER, SPLIT LOCK 3/4	
10	172509	NUT, HEX FLANGE LOCK 1/2-13	
11	140469	END COLLAR	
12	140477	BEARING ASSEMBLY, DISC 1.775 ID <b>(INCL ITEMS 31-35)</b>	
13	140479	MOUNT, TRUNNION BEARING	
14	140480	WASHER, TRUNNION	
15	140481*	SHANK, DISC BEARING, RIGHT	
16	140482**	SHANK, DISC BEARING, LEFT <b>(NOT SHOWN)</b>	
17	140483	PLATE, DISC SHANK MOUNT	
18	140484	U-BOLT, 3/4 X 5	
19	140485	HALF SPOOL, CONCAVE	
20	153651	HALF SPOOL, CONVEX	
21	140487	U-BOLT, SCRAPER BAR MOUNT	
22	151550	SCRAPER, 4" <b>(BEFORE 03/01/2015)</b>	
22	166718	SCRAPER, 5-1/2" <b>(AFTER 03/01/2015)</b>	
23	144155	SCRAPER ARM	
24	140490*	MOUNT, SCRAPER BAR RIGHT	
25	140491**	MOUNT, SCRAPER BAR LEFT <b>(NOT SHOWN)</b>	
26	153649*	SCRAPER, DUAL RIGHT 7	
27	153650**	SCRAPER, DUAL LEFT 7 <b>(NOT SHOWN)</b>	
28	153652	SPOOL WELDMENT 7" <b>(REAR GANGS)</b>	
28	154668	SPOOL CAST 7 SP <b>(FRONT GANGS)</b>	
29	141154	WASHER, GANG SHAFT	
30	23085	NUT, HEX SLOTTED 1-3/4 - 5	
31	140464	BEARING, DISC 1.775ID	
32	140473	WASHER, BEARING	
33	140475	CASTING, TRUNNION BEARING	
34	140476	INTERNAL RETAINING RING	
35	5000	ZERK, FITTING 1/8	
36	-----	SCRAPER BAR <b>(SEE PAGE 2-23)</b>	
37	-----	GANG BAR <b>(SEE PAGE 2-23)</b>	

\* USED RIGHT FRONT AND LEFT REAR GANGS

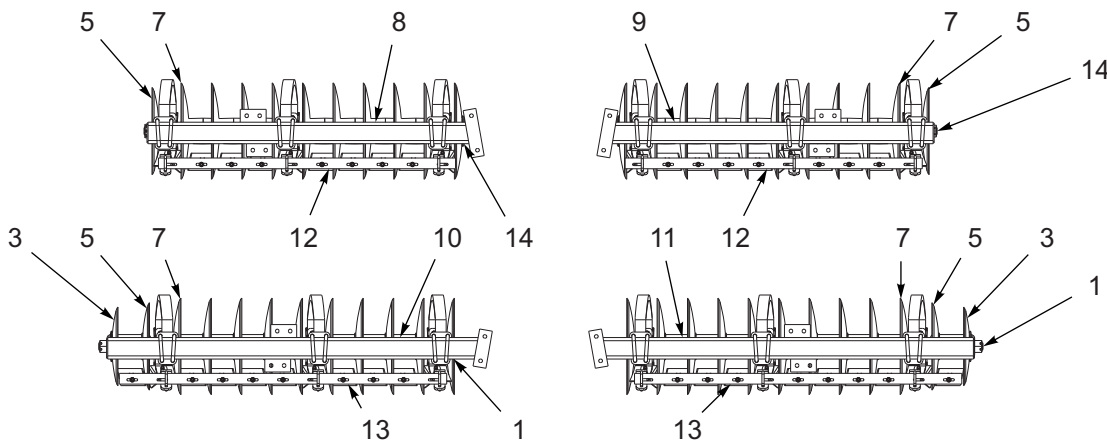
\*\* USED LEFT FRONT AND RIGHT REAR GANGS



7410-14 22" 6 GA LC DISC BLADES



7410-14 22" 4 GA LC DISC BLADES



7410-14 22" 4 GA ROLLABLE LC DISC BLADES

Figure 2-14: 14' Disc Gang Placement

## 14' DISC GANG PLACEMENT PARTS

ITEM	PART NO.	DESCRIPTION	QTY.
1	161621	SHAFT, GANG 84-1/2L	
2	142581	SHAFT, GANG 77L	
3	158898	DISC BLADE, 18" X 1/4" - 1-3/4" ID ROLLABLE, OSMUNDSON <b>(PRIOR TO 10-1-14)</b>	
3	186101	DISC BLADE, 18" X 1/4" - 1-3/4" ID DISC BLADES, INGERSOLL <b>(AFTER 10-1-14)</b>	
4	151548	DISC BLADE 22" X 6 GA	
5	155619	DISC BLADE, 20" X 1/4" - 1-3/4" ID ROLLABLE, OSMUNDSON <b>(PRIOR TO 10-1-14)</b>	
5	186100	DISC BLADE, 20" X 1/4" - 1-3/4" ID ROLLABLE, INGERSOLL <b>(AFTER 10-1-14)</b>	
6	155617	DISC BLADE 22" X 1/4 - 1-3/4" ID	
7	155618	DISC BLADE 22" X 1/4 - 1-3/4" ID ROLLABLE	
8	161605	GANG BAR, LCF	
9	161606	GANG BAR, RCF	
10	161607	GANG BAR, LCR	
11	161608	GANG BAR, RCR	
12	153701	SCRAPER BAR, 7 SP 10 HOLE	
13	153702	SCRAPER BAR 7 SP 11 HOLE	
14	180165	SHAFT, GANG 77 1/2L	

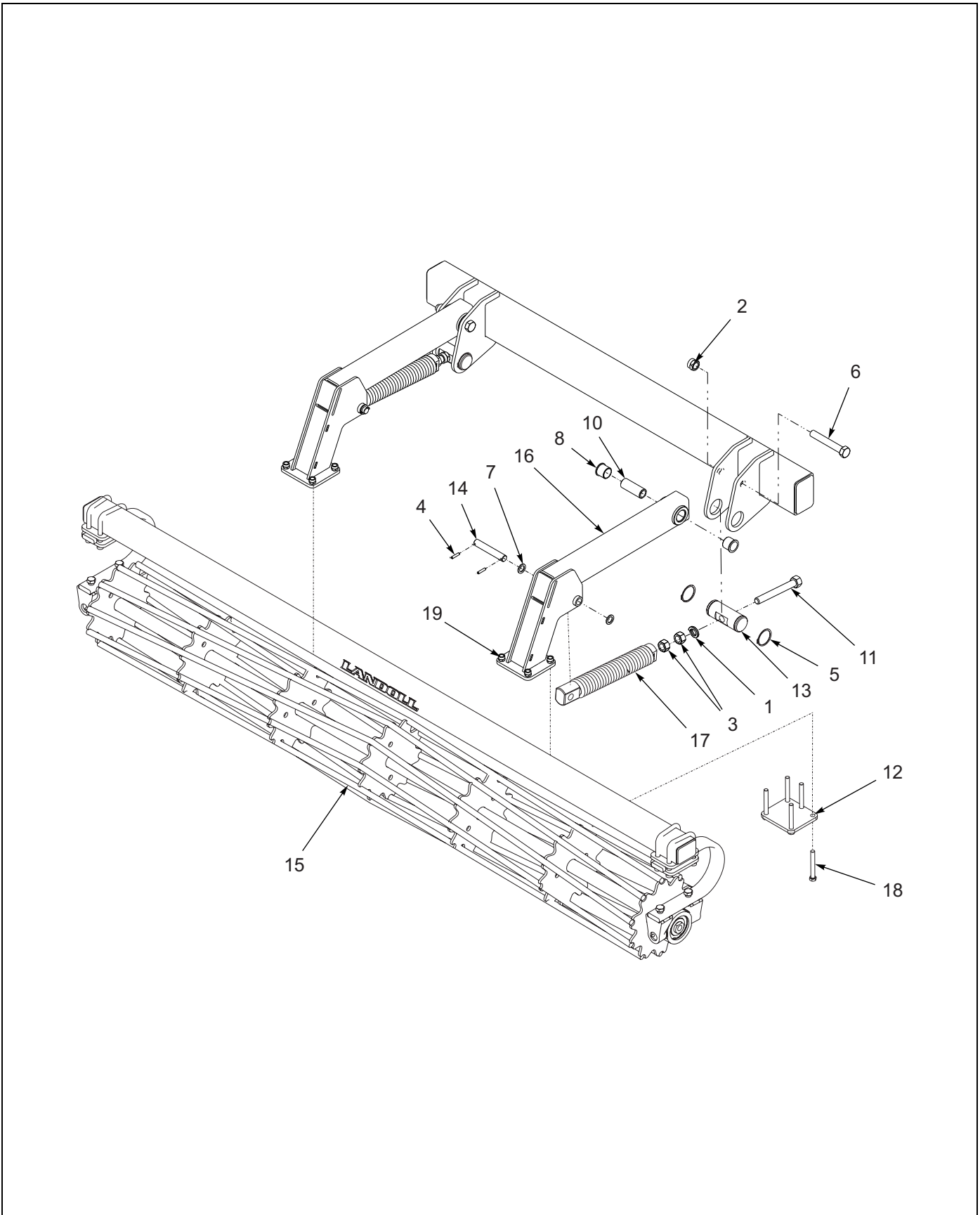


Figure 2-15: Conditioner Single Reel Assembly

## CONDITIONER SINGLE REEL ASSEMBLY

ITEM	PART NO.	DESCRIPTION	QTY.
	161644	CONDITIONER REEL ASSEMBLY	
1	1-861-010034-21	WASHER, LOCK 1"	
2	1-512-010005-19	NUT, HEX LOCK 1-8 GRB	
3	1-512-010007-14	NUT, HEX 1-8 GRB	
4	1-647-010004236	SPRING PIN, SLOTTED 5/16 X 1-1/2	
5	158896	SNAP RING	
6	100829	SCREW, HEX HEAD CAP 1-8 X 6-1/2 GR5	
7	117957	MACHINERY BUSHING	
8	140599	BEARING, FLANGE 1-1/2	
9	156953	REAR JACK MOUNT <b>(NOT SHOWN) (SEE PAGE 2-42)</b>	
10	152209	BUSHING, PIVOT 1-1/2	
11	152210	BOLT, ADJ 1 X 8	
12	154748P	PLATE, GANGBAR MOUNT	
13	158897	PIN, ADJUSTMENT W/ SNAP RING	
14	154392	PIN, PIVOT	
15	154686	CONDITIONER REEL/GANGBAR ASSY, 91" <b>(SEE PAGE 2-31)</b>	
16	158847	ARM, REEL	
17	158795	SPRING ASSEMBLY, HEAVY 17"	
18	172884	SCREW, HEX HEAD CAP 3/4-10 X 6 GR8	
19	1-512-010005-15	NUT, HEX LOCK 3/4-10 GRB	

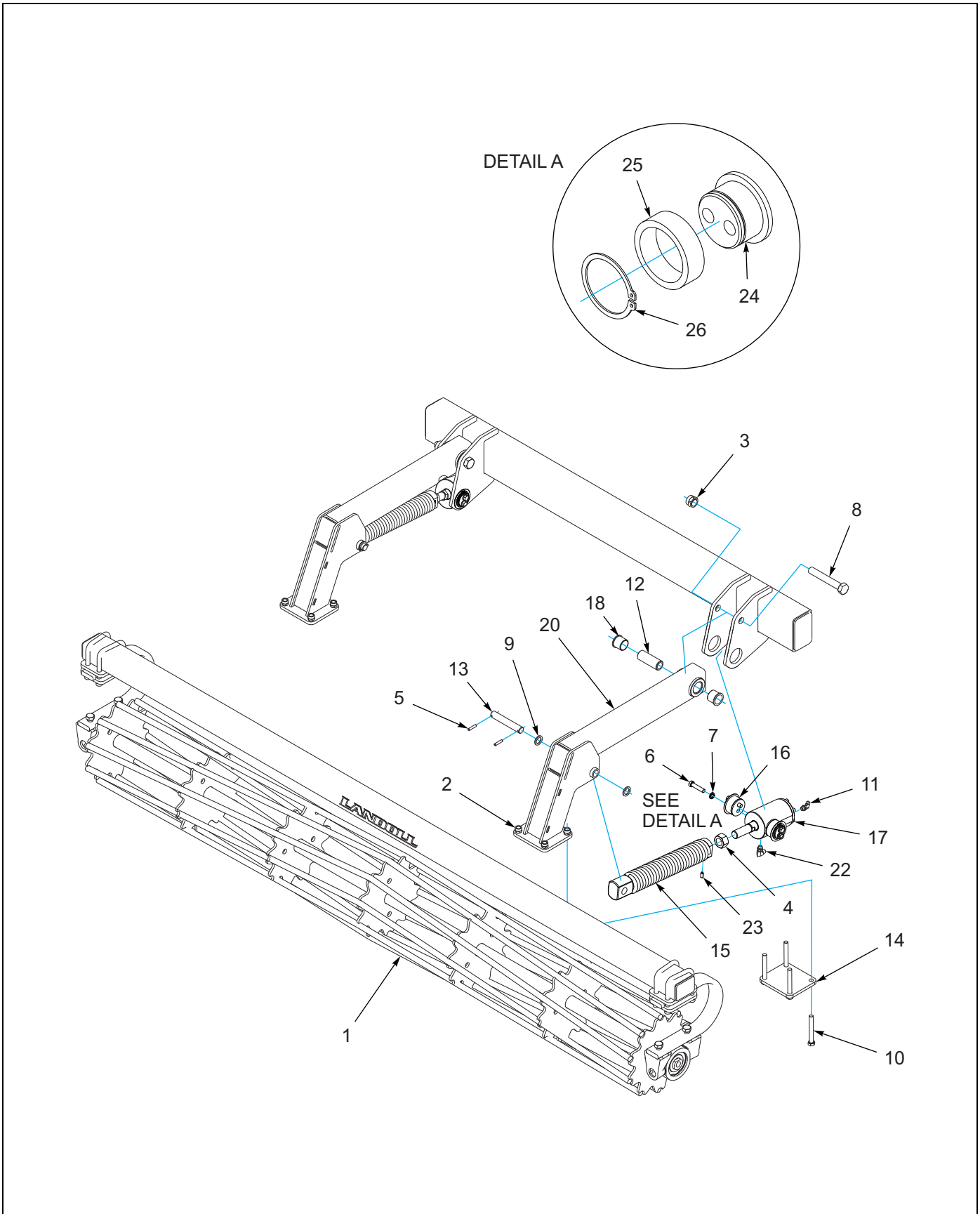


Figure 2-16: Hydraulic Conditioner Reel Assembly



## HYDRAULIC CONDITIONER REEL ASSEMBLY

ITEM	PART NO.	DESCRIPTION	QTY.
	172983	HYDRAULIC CONDITIONER REEL ASSEMBLY	
1	154686	CONDITIONER REEL/GANGBAR ASSY, 91" <b>(SEE PAGE 2-31)</b>	2
2	1-512-010005-15	NUT, HEX LOCK 3/4-10 GRB	40
3	1-512-010005-19	NUT, HEX LOCK 1-8 GRB	4
4	1-512-010007-14	NUT, HEX 1-8 GRB <b>(BEFORE 6-8-2017)</b>	4
4	206675	NUT, 1-1/8-12 UNF, Z/P GR 2 <b>(AFTER 6-8-2017)</b>	4
5	1-647-010004236	SPRING PIN, SLOTTED 5/16 X 1-1/2	8
6	1-654-010055-03	SCREW, HEX HEAD CAP 1/2-13 X 1-1/2 GR5 <b>(BEFORE 2-21-2016)</b>	16
6	1-654-010055-05	SCREW, HEX CAP 1/2-13 UNC X 2 GR5 <b>(AFTER 2-21-2016)</b>	
7	1-861-010034-13	WASHER, SPLIT LOCK 1/2	16
8	100829	SCREW, HEX HEAD CAP 1-8 X 6-1/2 GR5	4
9	117957	MACHINERY BUSHING	8
10	172884	SCREW, HEX HEAD CAP 3/4-10 X 6 GR8	20
11	2061-6-6S	ADAPTER, 45	REF
12	152209	BUSHING, PIVOT 1-1/2	4
13	154392	PIN, PIVOT	4
14	154748P	PLATE, GANGBAR MOUNT	4
15	158795	SPRING ASSEMBLY, HEAVY 17" <b>(BEFORE 6-8-2017)</b>	4
15	206652	SPRING ASSY 17" 1-1/8THD <b>(AFTER 6-8-2017)</b>	4
16	171074	TRUNION, CYLINDER <b>(BEFORE 2-21-2016)</b>	8
16	198320	ASSY, TRUNION MOUNT 1-1/4" <b>(AFTER 2-21-2016) (INCLUDES ITEMS 24-26)</b>	8
17	171076	CYLINDER, 2-1/2 X 1-1/2 <b>(SEE PAGE 2-43) (BEFORE 6-8-2017)</b>	4
17	206598	CYL ASM 2-1/2X1-1/2 ST 1-1/8" THD <b>(SEE PAGE 2-44) (BEFORE 6-8-2017)</b>	
18	140599	BEARING, FLANGE 1-1/2	8
19	156953	REAR JACK MOUNT (NOT SHOWN) <b>(SEE PAGE 2-42)</b>	1
20	158847	ARM, REEL	4
21	173024	HOSE KIT, REEL CYLINDER (NOT SHOWN) <b>(SEE PAGE 2-29)</b>	1
22	2061-6-6S	ADAPTER, 45	REF
23	1P444	SET SCREW, 3/8-16X3/4 NYLON	4
24	191924	TRUNION, CYLINDER	1
25	191925	TRUNION, BEARING	1
26	18530	SNAP RING. 2 SHAFT	1

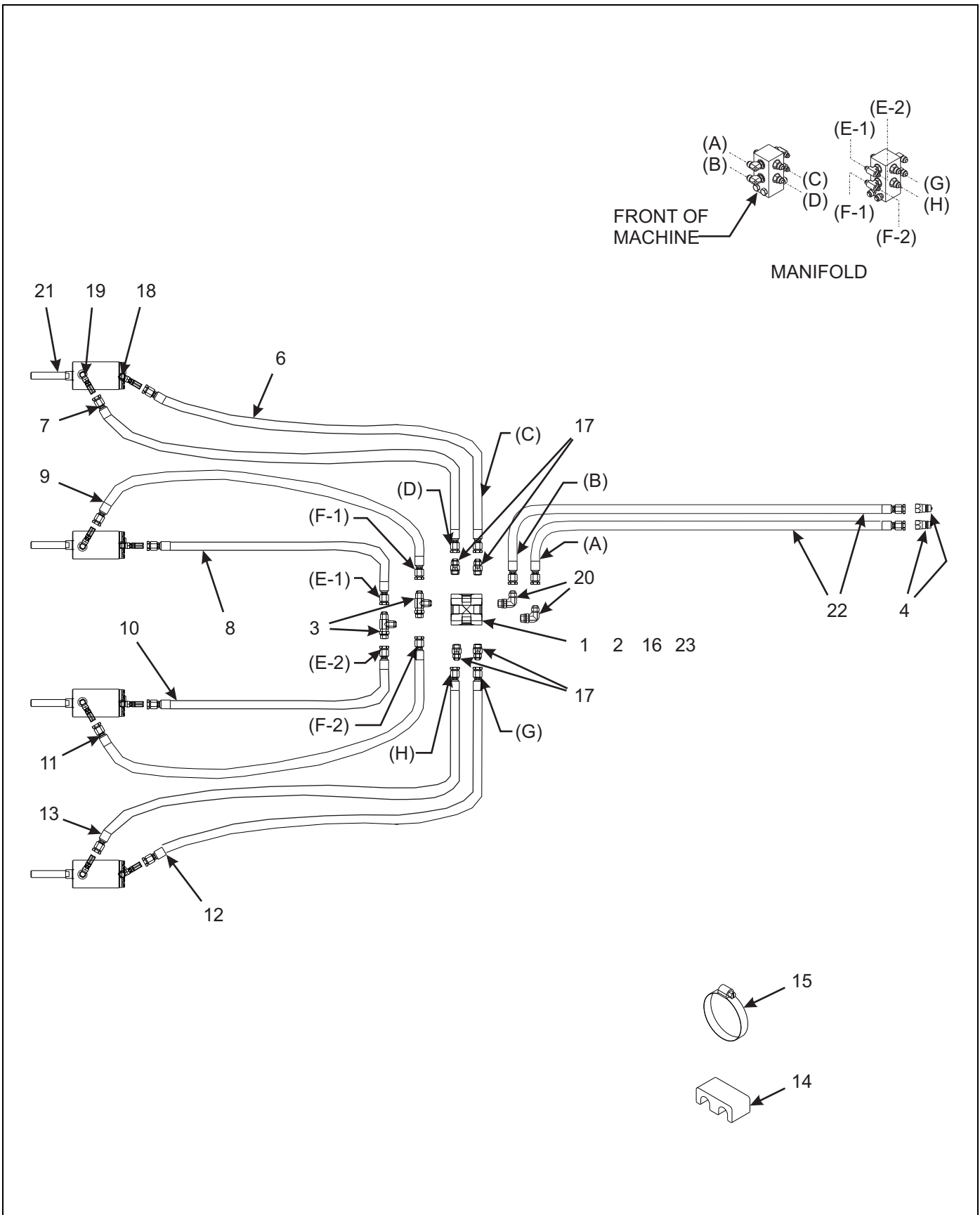


Figure 2-17: Conditioner Reel Hydraulic and Miscellaneous Parts Assembly

## CONDITIONER REEL HYDRAULIC AND MISCELLANEOUS PARTS ASSEMBLY

ITEM	PART NO.	DESCRIPTION	QTY.
	173024	HOSE KIT, REEL CYLINDER	1
1	1-512-010005-09	NUT, HEX LOCK 1/2-13 GRB	2
2	1-654-010055-11	SCREW, HEX HEAD CAP 1/2-13 X 3-1/2 GR5	2
3	139347	ADAPTER, TEE	2
4	141828	COUPLER, MALE 3/4-16	2
5	172973	HOSE WRAP, RED (NOT SHOWN)	1
6	7779-90	HOSE ASSEMBLY, 1/4 X 90	1
7	172978	HOSE ASSEMBLY 1/4 X 94	1
8	71500166	HOSE ASSEMBLY 1/4 X 52	1
9	173013	HOSE ASSEMBLY 1/4 X 57	1
10	71509125	HOSE ASSEMBLY 1/4 X 30	1
11	7779-34	HOSE ASSEMBLY 1/4 X 34	1
12	7779-72	HOSE ASSEMBLY, 1/4 X 72	1
13	172998	HOSE ASSEMBLY 1/4 X 75	1
14	172974	CLAMP, 2 HOSE	2
15	172976	CLAMP, HOSE 4-1/2 - 6-1/2	2
16	2-474-010022	MANIFOLD, HYDRAULIC ASSEMBLY 8 PORT	1
17	202702-8-6S	ADAPTER	4
18	2061-6-6S	ADAPTER, 45	4
19	2062-6-6S	ADAPTER, 90	4
20	2062-8-6S	ELBOW, 90	2
21	171076	CYLINDER, 2-1/2 X 1-1/2 (SEE PAGE 2-43) (BEFORE 6-8-2017)	4
21	206598	CYL ASM 2-1/2X1-1/2 ST 1-1/8" THD (SEE PAGE 2-44) (BEFORE 6-8-2017)	
22	172972	HOSE ASSEMBLY 3/8 X 330	2
23	141854	BRACKET, MANIFOLD MOUNT	1

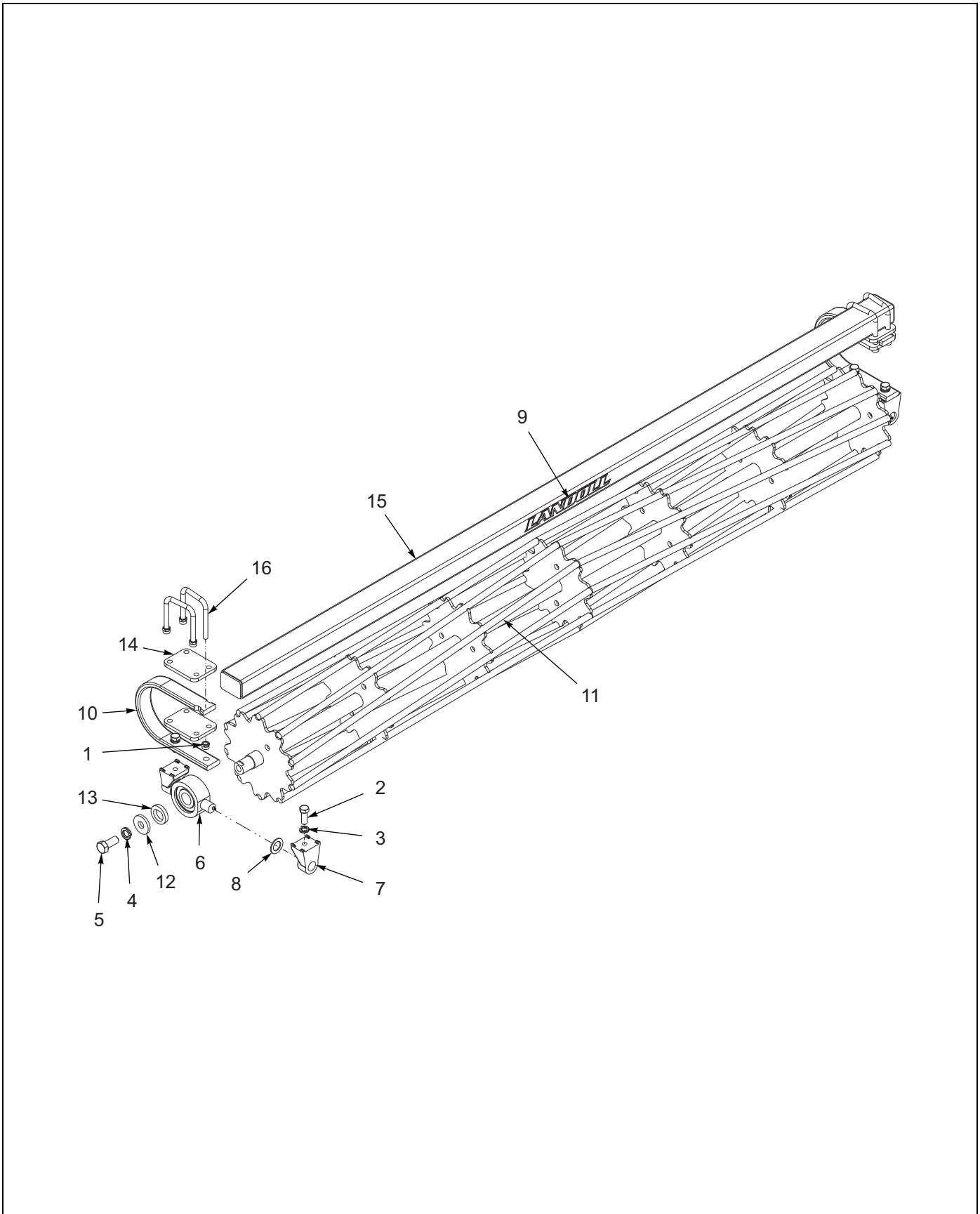


Figure 2-18: Conditioner Reel/Gang Bar Assembly

## CONDITIONER REEL/GANG BAR ASSEMBLY

ITEM	PART NO.	DESCRIPTION	QTY.
	154686	CONDITIONER REEL/GANGBAR ASSY, 91"	
1	1-512-010005-13	NUT, HEX LOCK 5/8-11 GRB	8
2	1-654-010032-05	SCREW, HEX HEAD CAP 3/4-10 X 2 GR8	4
3	1-861-010034-17	WASHER, SPLIT LOCK 3/4	4
4	1-861-010034-21	WASHER, SPLIT LOCK 1"	2
5	137943	SCREW, HEX HEAD CAP 1-8 X 2-1/4 GR5	2
6	140477	BEARING, DISC 1.775 ID ASSEMBLY	2
7	140479	MOUNT, TRUNNION BEARING	4
8	140480	WASHER, TRUNNION	2
9	148337	ATTACHMENT DECAL, LANDOLL	1
10	153716	SHANK, STRAIGHT 3/4 X 2-1/2	2
11	154691	CONDITIONER REEL, 91"	1
12	154185	WASHER, 3/8 THICK	2
13	154186	WASHER, FLAT TOP	2
14	154393	PLATE, SHANK MOUNT	4
15	154658	GANG BAR, 101" REEL 91"	1
16	6-102-010009	U-BOLT	4

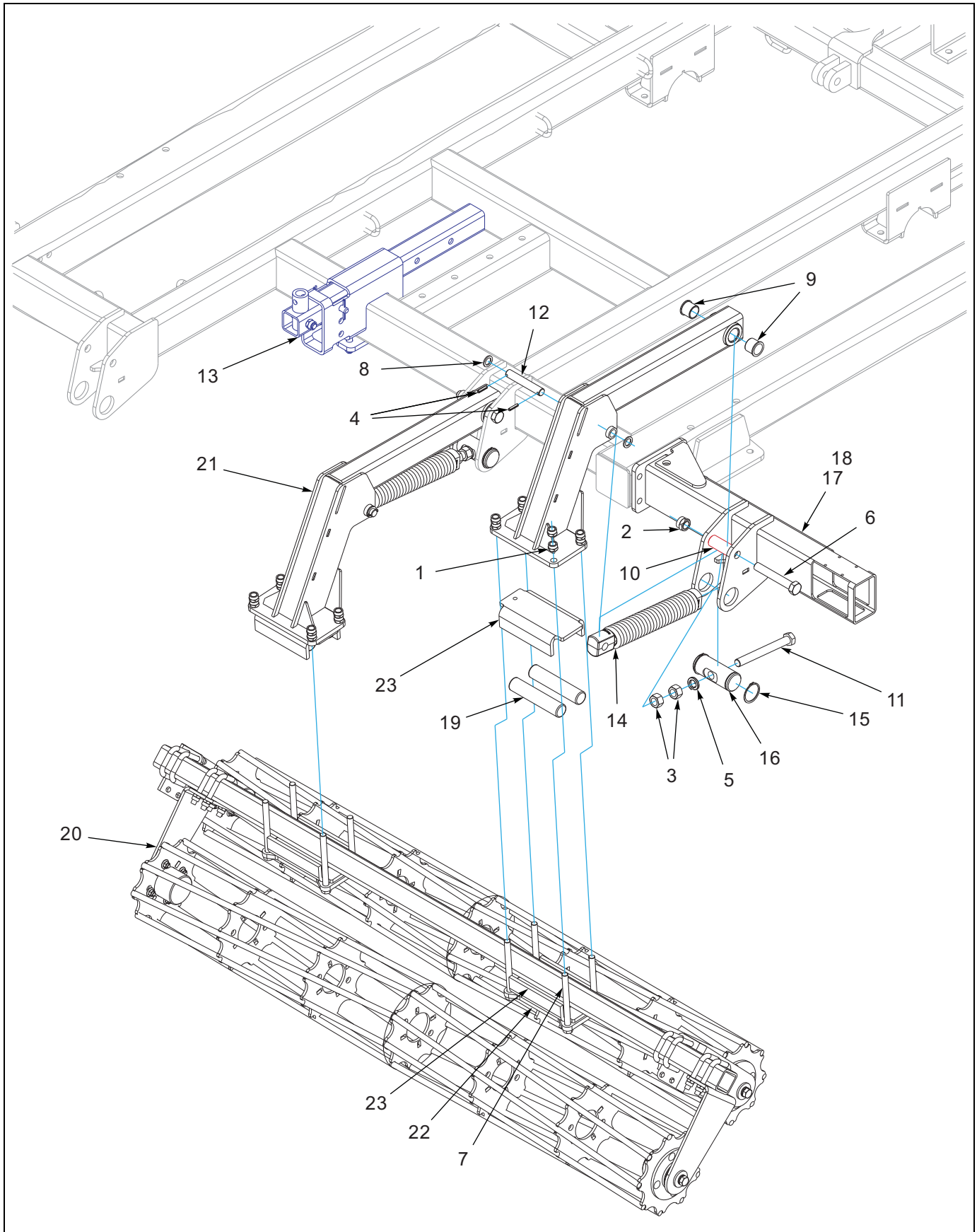


Figure 2-19: Reel Double Spring Assembly

## REEL DOUBLE SPRING ASSEMBLY

ITEM	PART NO.	DESCRIPTION	QTY.
	191948	DOUBLE REEL ASSY 7410-14	
1	1-512-010005-15	NUT,HEX,SLFLKG GRB 3/4-10	32
2	1-512-010005-19	NUT 1-8 HEX SLF-LOCKING GRB	4
3	1-512-010007-14	NUT, HEX 1-8 GR2 ZP	8
4	1-647-010004236	SPRING PIN,SLOTTED 5/16X1-1/2	8
5	1-861-010034-21	WASHER, LKG HEL SPRG 1IN	4
6	100829	SCREW,HEX CAP,1-8X6-1/2,GR5	4
7	107491	SCREW HX CP 3/4-10X8-1/2 GR8	16
8	117957	MACHINERY BUSHING,ZINC PLATED	8
9	140599	BEARING, FLANGE 1-1/2	8
10	152209	BUSHING, PIVOT 1-1/2	4
11	152210	BOLT, ADJ, 1 X 9	4
12	154392	PIN,PIVOT	4
13	156953	REAR JACK MOUNT (SEE PAGE 2-42)	1
14	158795	SPRING ASSY, 17"	4
15	158896	SNAP RING, 2-1/2 SHAFT	8
16	158897	PIN, ADJUSTMENT	4
17	161635	EXTENSION, REEL LH (NOT SHOWN) (SEE PAGE 2-49)	1
18	161636	EXTENSION, REEL RH (SHOWN) (SEE PAGE 2-49)	1
19	203525	SPRING-TORSION, RUBBER, 1-3/4	16
20	204417	DOUBLE REEL ASSY, 90/90 (SEE PAGE 2-37)	2
21	204505	ARM WLDMT DOUBLE REEL	4
22	204510	PLATE GANGBAR MOUNT	4
23	204511	TUBE, CLAMP	8

# ILLUSTRATED PARTS LIST

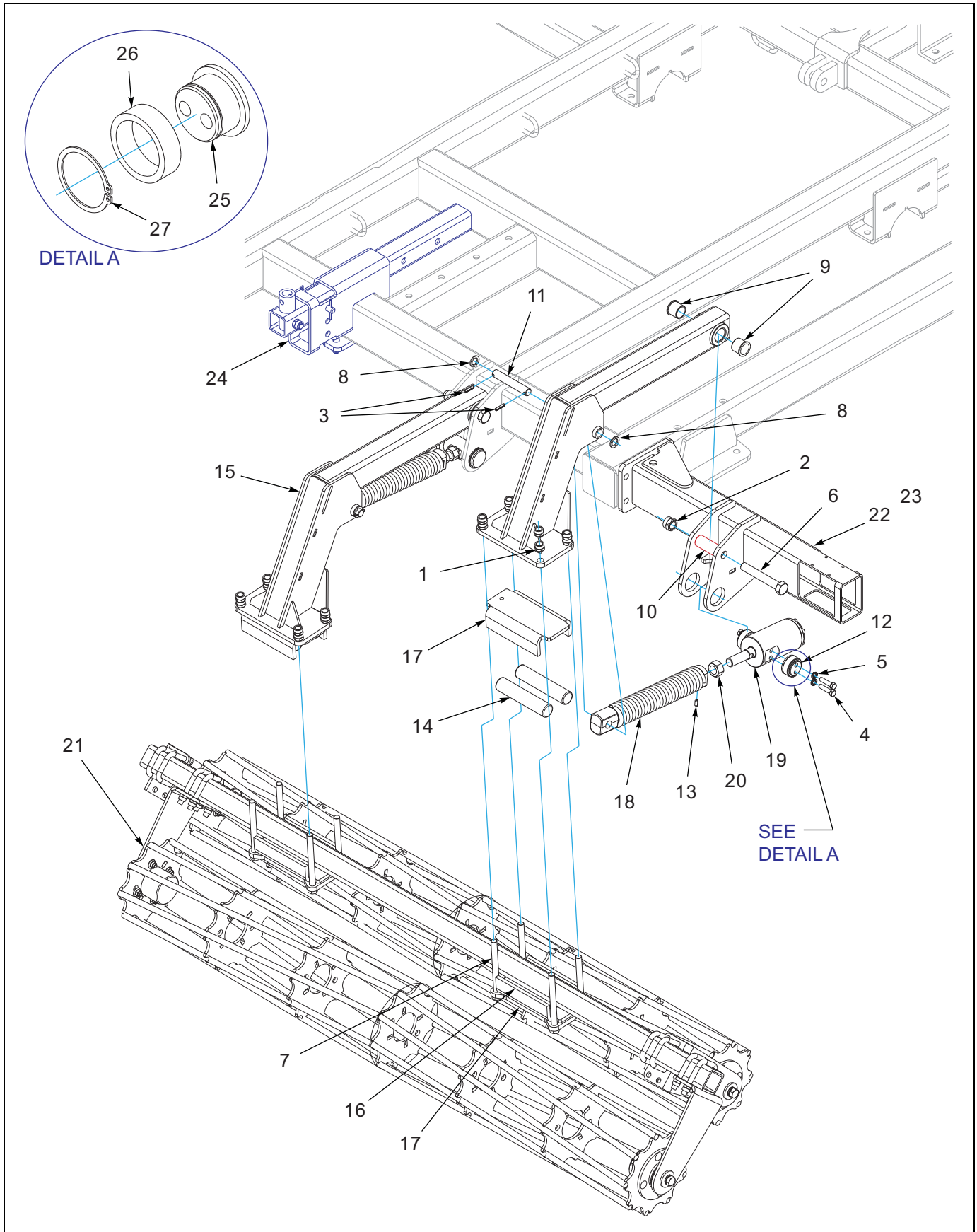


Figure 2-20: Reel Double Hydraulic Assembly



**REEL DOUBLE HYDRAULIC ASSEMBLY**

ITEM	PART NO.	DESCRIPTION	QTY.
1	1-512-010005-15	NUT,HEX,SLFLKG GRB 3/4-10	32
2	1-512-010005-19	NUT 1-8 HEX SLF-LOCKING GRB	4
3	1-647-010004236	SPRING PIN,SLOTTED 5/16X1-1/2	8
4	1-654-010055-05	SCREW,HEX CAP,1/2-13UNCX2 GR5	16
5	1-861-010034-13	WASHER, LKG HLCL SPR, 1/2	16
6	100829	SCREW,HEX CAP,1-8X6-1/2,GR5	4
7	107491	SCREW HX CP 3/4-10X8-1/2 GR8	16
8	117957	MACHINERY BUSHING,ZINC PLATED	8
9	140599	BEARING, FLANGE 1-1/2	8
10	152209	BUSHING, PIVOT 1-1/2	4
11	154392	PIN,PIVOT	4
12	198320	ASSY, TRUNION MOUNT 1-1/4"	8
13	1P444	SET SCREW, 3/8-16 X 3/4 NYLON	8
14	203525	SPRING-TORSION, RUBBER, 1-3/4	16
15	204505	ARM WLDMT DOUBLE REEL	4
16	204511	TUBE, CLAMP	8
17	204510	PLATE GANGBAR MOUNT	4
18	206652	SPRING ASSY 17" 1-1/8 THD	4
19	206671	CYL ASM 2-1/2X2-1/2ST1-1/8THDS (SEE PAGE 2-44)	4
20	1-511-010002-11	NUT,HEX JAM,1-1/8-12 UNF,GR2	4
21	204417	DOUBLE REEL ASSY, 90/90 (SEE PAGE 2-37)	2
22	161635	EXTENSION, REEL LH (NOT SHOWN) (SEE PAGE 2-49)	1
23	161636	EXTENSION, REEL RH (SHOWN) (SEE PAGE 2-49)	1
24	156953	REAR JACK MOUNT (SEE PAGE 2-42)	1
25	191924	TRUNION, CYLINDER	8
26	191925	TRUNION, BEARING	8
27	188530	SNAP RING, 2 SHAFT	8

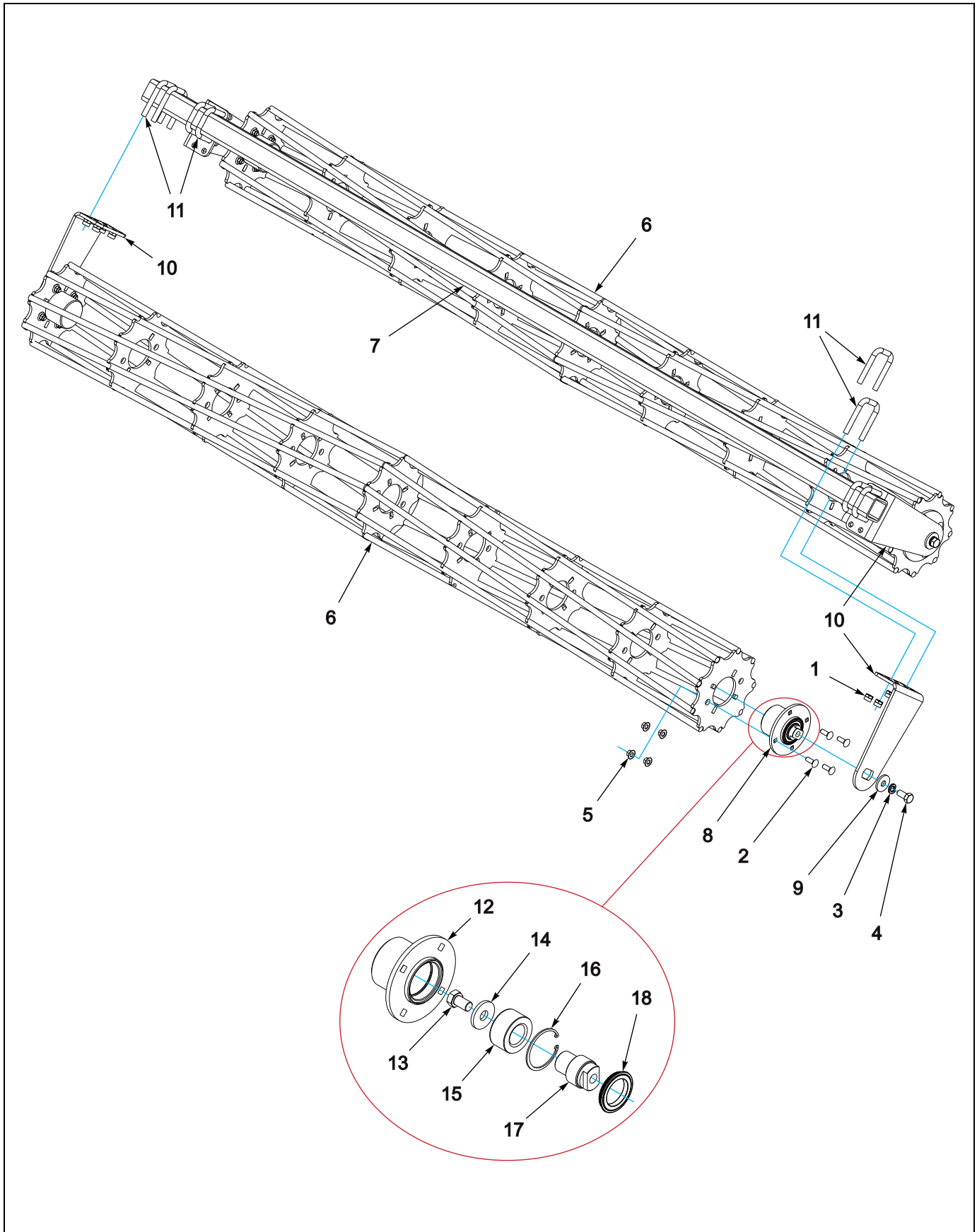
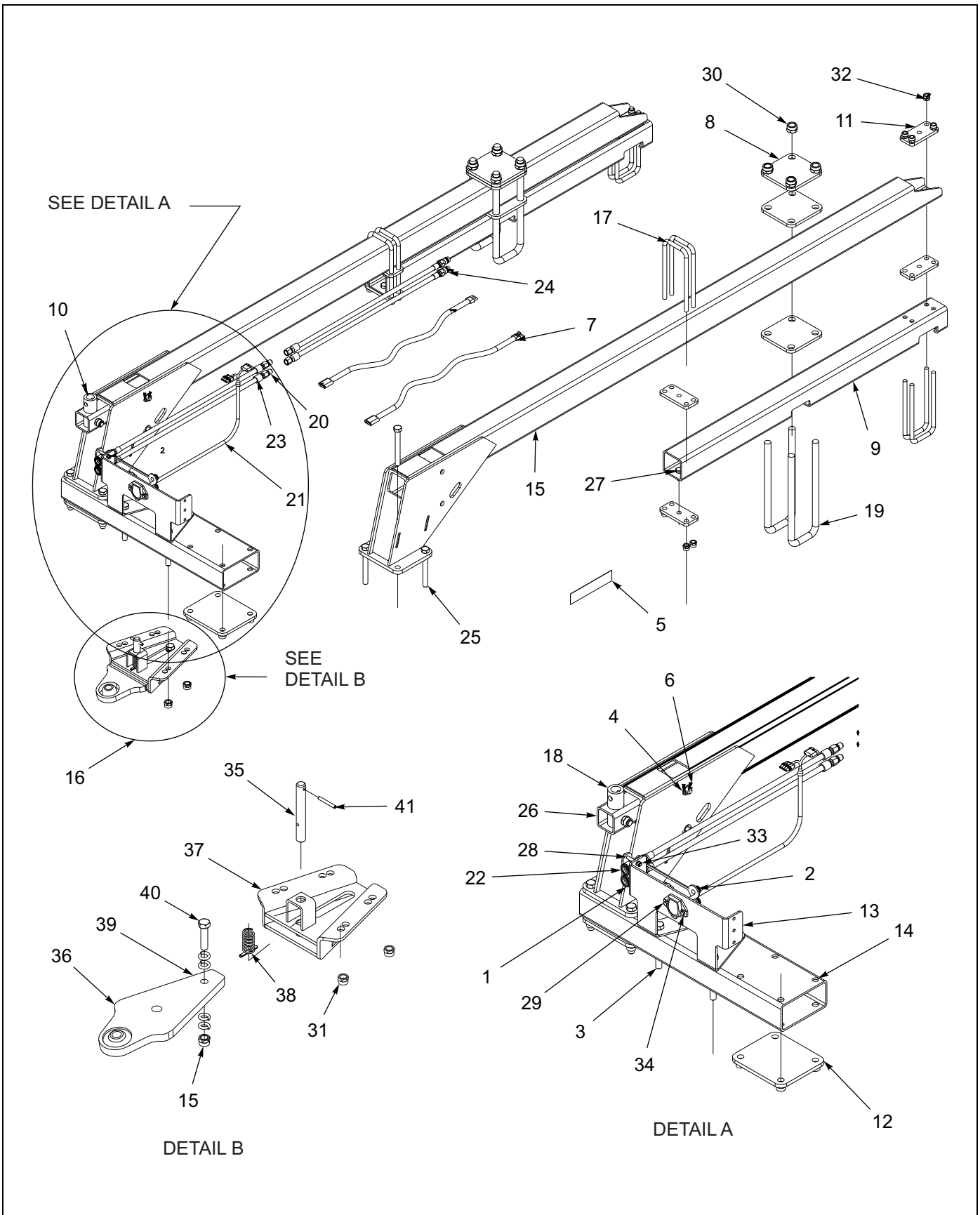


Figure 2-21: Double Reel Assembly

## DOUBLE REEL ASSEMBLY

ITEM	PART NO.	DESCRIPTION	QTY.
	204417	DOUBLE REEL ASSY, 90/90	
1	1-512-010005-13	NUT,HEX SLFLKG GRB 5/8-11	16
2	1-654-010070-03	SCREW RDHD SQNK1/2-13X1-1/2	16
3	1-861-010034-17	WASHER,LKG,HLCL SPR,3/4	4
4	108705	SCREW,HEXCAP,3/4-10X1-1/2 GR8	4
5	172509	NUT,1/2-13 WIDE FLNG TOP LCK F	16
6	176636	REEL WLDMT 12 DIA X 90	2
7	190956	GANG BAR, DOUBLE REEL 100 L	1
8	200222	HUB ASSY REEL	4
9	200259	WASHER, 3/4 HEAVY - 2-1/4	4
10	204400	BEARING MOUNT, REEL	4
11	8-102-010012	U BOLT	8
12	200221	HUB WLDMT REEL	4
13	129263	SCREW HEX CAP 3/4-10 X 1-1/4	4
14	200259	WASHER, 3/4 HEAVY - 2-1/4	4
15	174526	BEARING, DOUBLE TAPER RLLR	4
16	174532	INTERNAL SNAP RING	4
17	200218	SPINDLE REEL BEARING	4
18	185757	SEAL, MAINT FREE HUB HSL	4

**ILLUSTRATED PARTS LIST**



**Figure 2-22: Hydraulic Rear Tow Hitch (1 of 2)**

**HYDRAULIC REAR TOW HITCH (1 of 2)**

ITEM	PART NO.	DESCRIPTION	QTY.
	180148	HITCH, R EARR TOW 7410	1
1	142671	PLATE, COUPLER	1
2	142669	PLUG, DUST COUPLER	2
3	W908409-4	HEX HEAD CAPSCREW 3/4-10 X 6 GR5	4
4	9-9557-010457-01	LINCH PIN, 3/16 X 1-1/4	4
5	528934	REFLECTOR, YELLOW 2 X 9	2
6	2-557-010409	PIN, WING LOCK	2
7	2-368-010273	34" HARNESS EXTENSION	2
8	180150	CLAMP, PLATE	6
9	180149	TUBE, HITCH BRACE - 7410	2
10	176994	SQUARE TUBE, REAR JACK	1
11	176992	CLAMP, PLATE	8
12	176985	CLAMP, PLATE	2
13	176984	TOW HITCH MOUNT	1
14	176979	HITCH , TUBE	1
15	176973	REAR TOW ARM HITCH	2
16	168767	REAR TOW HITCH ASSEMBLY	1
17	158841	U-BOLT, 5/8 X 4-11/16 X 10-3/4	8
18	156957	JACK MOUNT TUBE	1
19	156905	U-BOLT, 1 X 4-1/4 X 17	4
20	148338	UNION, 37 DEGREE FLARE, #8 X #8	2
21	148371	HARNESS, TANDEM ADAPTER	1
22	142668	COUPLER, FEMALE 3/4-16 O-RING	2
23	141865	HOSE ASSEMBLY, 3/8 X 204 #8JIC X #80R	4
24	141828	COUPLER, MALE 3/4-16 O'RING	2
25	100855	HEX HEAD CAPSCREW, 3/4-10 X 6-1/2	8
26	1-654-010061-13	HEX HEAD CAPSCREW, 3/4-10 X 4 GR5	1
27	1-654-010059-03	HEX HEAD CAPSCREW, 5/8-11 X 1-1/2 GR5	2
28	1-654-010051-11	HEX HEAD CAPSCREW, 3/8-16 X 2-1/2 GR5	3
29	1-654-010049-05	HEX HEAD CAPSCREW 5/16-18 X 1 GR5	2
30	1-512-01005-19	NUT, HEX LOCK 1-8 GRB	1
31	1-512-01005-15	NUT, HEX LOCK 3/4-10 GRB	14
32	1-512-01005-13	NUT, HEX LOCK 5/8-11 GRB	18
33	1-512-01005-05	NUT, HEX LOCK 3/8-16 GRB	3
34	1-512-01005-03	NUT, HEX LOCK 5/16-18 GRB	2
35	168773	PIN, REAR TOW HITCH	1
36	168771	HITCH, REAR TOW	1
37	168768	REAR TOW HITCH MOUNT	1
38	162191	SPRING, COMPRESSION 1.218 X 2.5	1
39	1-861-010034-17	WASHER, SPLIT 3/4	4
40	1-654-010061-09	HEX HEAD CAPSCREW, 3/4-10 X 3 GR5	1
41	1-647-010004240	ROLL PIN 5/16 X 2-1/2	2

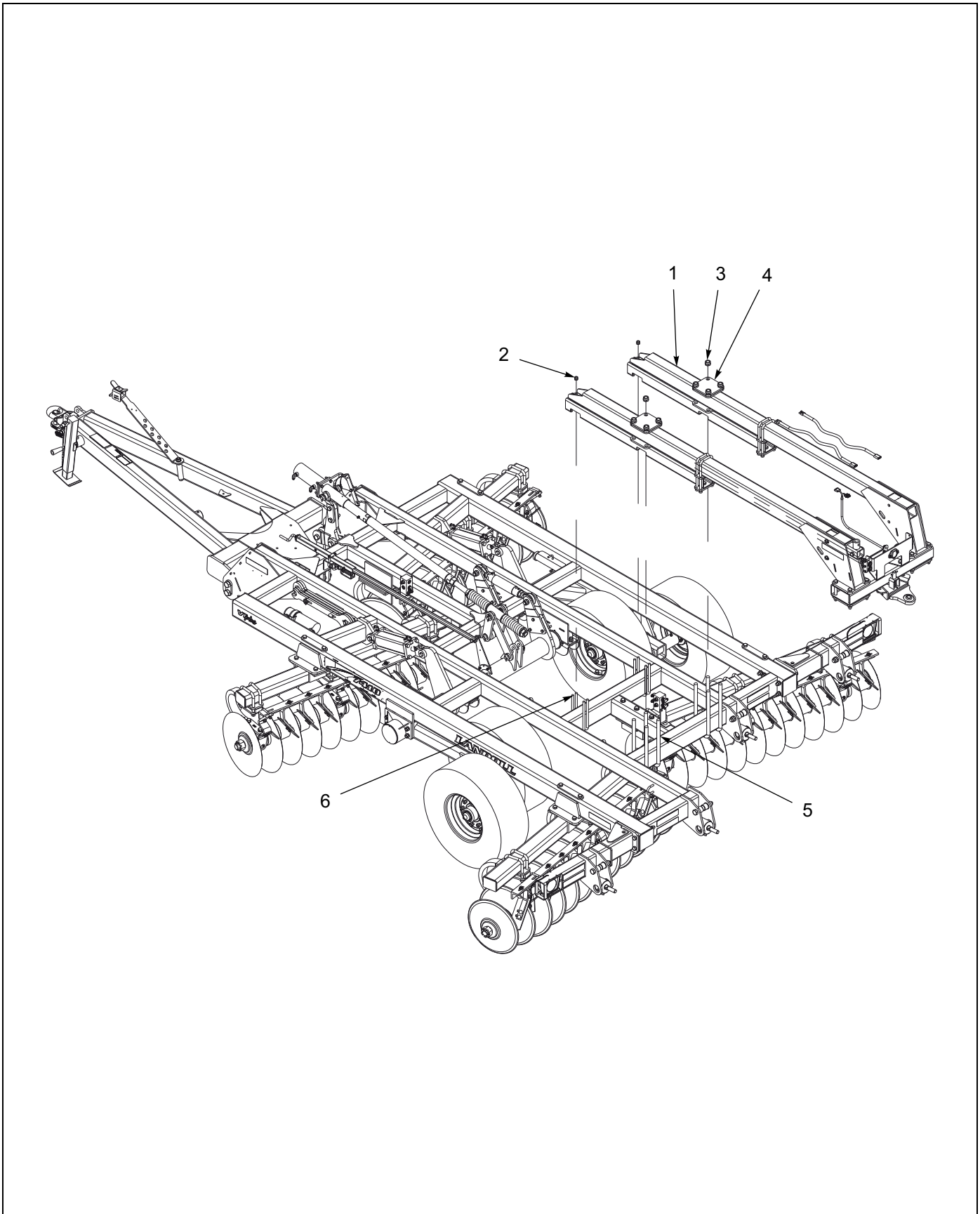


Figure 2-23: Hydraulic rear tow hitch (2 of 2)

---

**HYDRAULIC REAR TOW HITCH (2 OF 2)**

ITEM	PART NO.	DESCRIPTION	QTY.
1	180148	REAR TOW HITCH	1
2	1-512-01005-13	NUT, HEX LOCK 5/8-11 GRB	18
3	1-512-01005-19	NUT, HEX LOCK 1-8 GRB	1
4	180150	CLAMP, PLATE	6
5	158841	U-BOLT, 5/8 X 4-11/16 X 10-3/4	8
6	156905	U-BOLT, 1 X 4-1/4 X 17	4

## ILLUSTRATED PARTS LIST

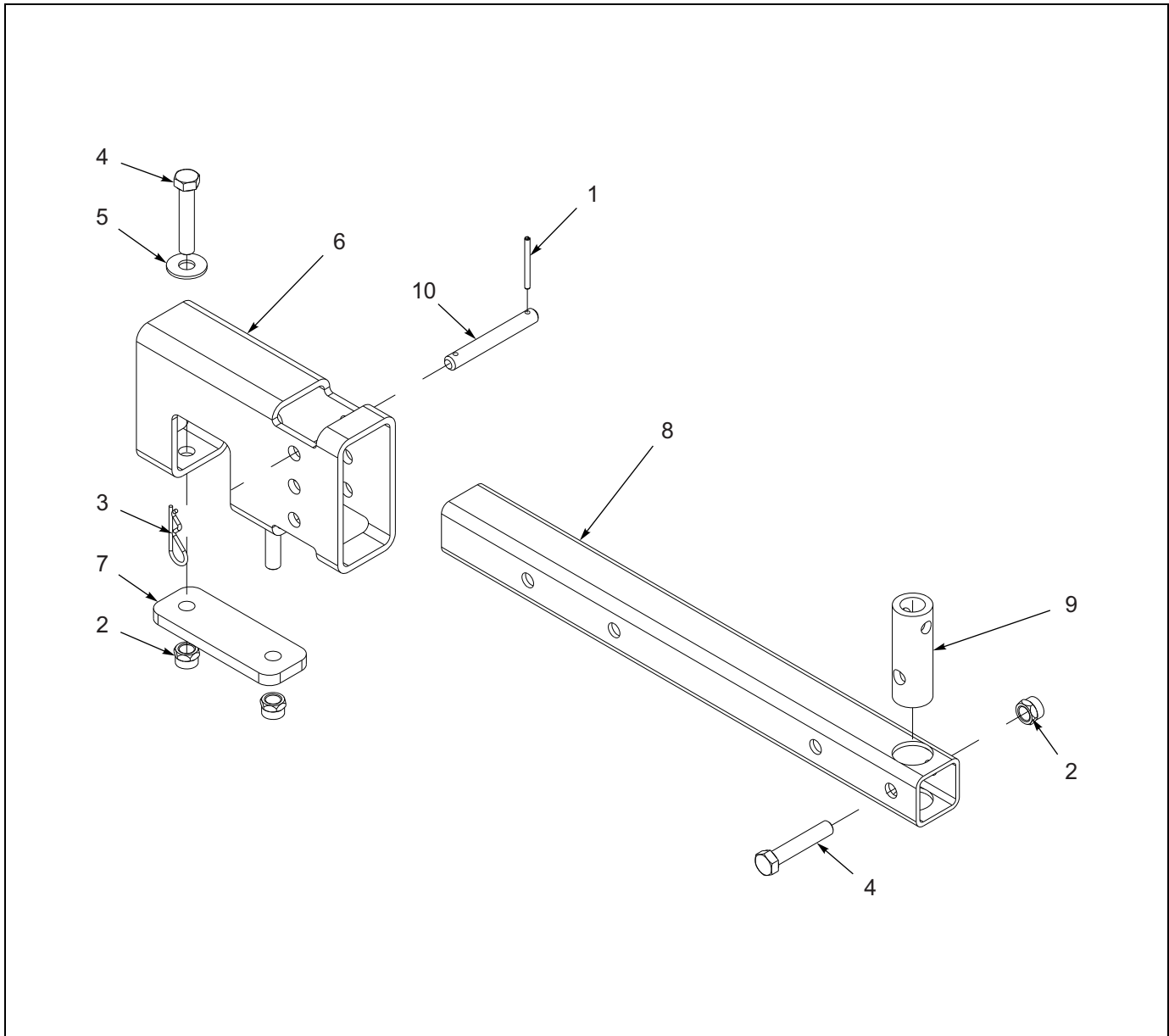


Figure 2-24: Rear Jack Assembly

## REAR JACK ASSEMBLY

ITEM	PART NO.	DESCRIPTION	QTY.
	156953	REAR JACK MOUNT	
1	0600-250-03000	ROLL PIN, SLOTTED 1/4 X 3	1
2	1-512-010005-15	NUT, HEX LOCK 3/4-10 GRB	3
3	1-557-010013	PIN, HAIR 3/16	1
4	1-654-010061-13	SCREW, HEX HEAD CAP 3/4-10 x 4 GR5	3
5	1-861-010032-21	WASHER, FLAT 3/4W	2
6	156954	MOUNT, REAR JACK	1
7	156955	PLATE, REAR JACK MOUNT	1
8	156956	SQ. TUBE, REAR JACK	1
9	156957	TUBE, JACK MOUNT	1
10	2-557-010409	PIN, WING LOCK	1



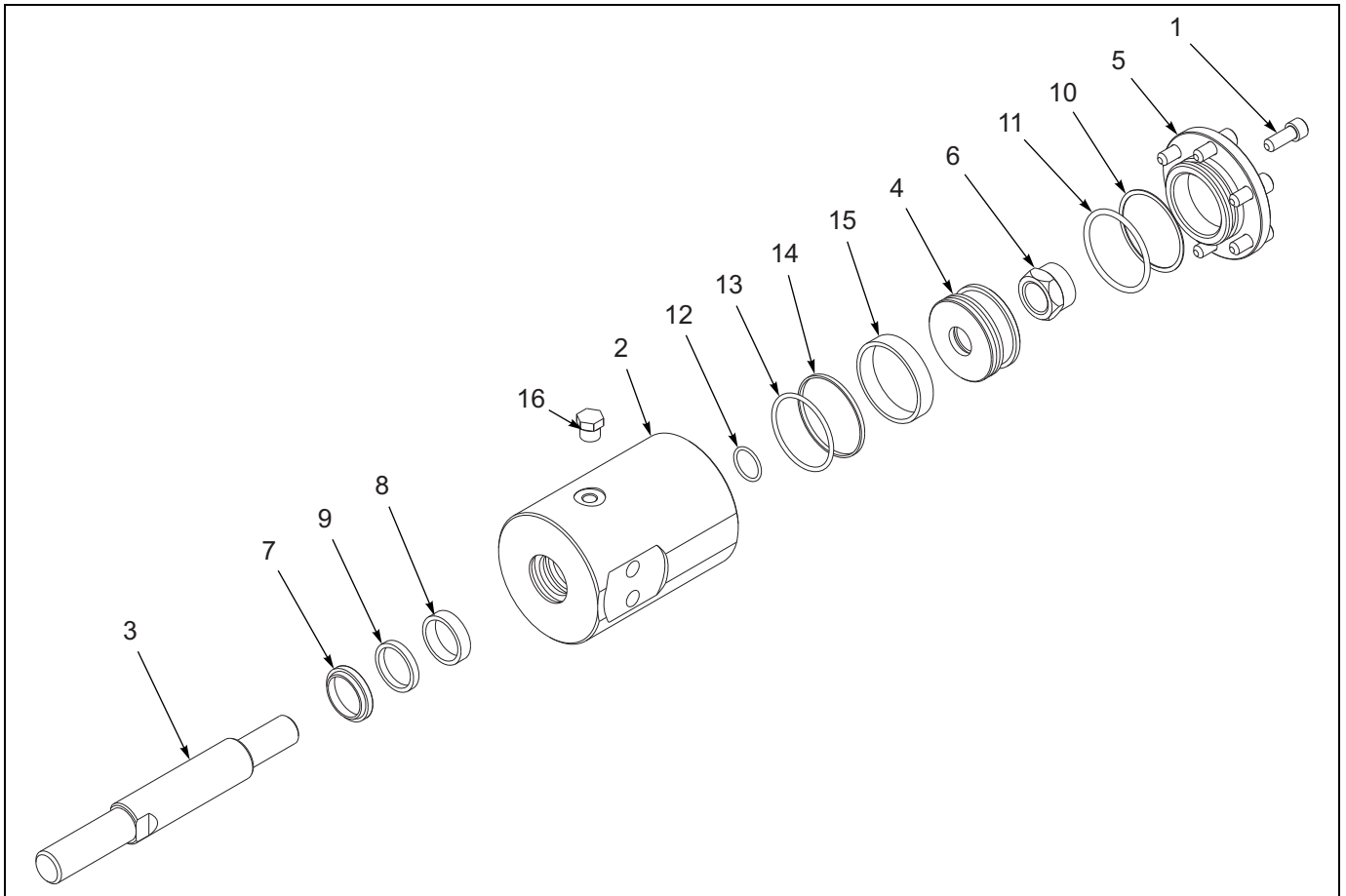


Figure 2-25: Cylinder 2-1/2 x 1-1/2

## Cylinder 2-1/2 X 1-1/2

ITEM	PART NO.	DESCRIPTION	QTY.
	171076	CYLINDER, 2-1/2 X 1-1/2	
1	1-654-010104245	SCREW, HEX SOCKET 3/8-16 X 1	6
2	171077	CYLINDER, BARREL	1
3	171078	ROD, 1-1/4 1" THD	1
4	171079	PISTON, 2-1/2	1
5	171080	BASE CAP 2-1/2	1
6	171093	NUT, HEX LOCK 7/8-14 GRC	1
7	-----	WIPER, 1-1/4 ROD	1
8	-----	WEAR RING, 1-1/4 ROD	1
9	-----	U-CUP 1-1/4 ROD	1
10	-----	BACKUP RING - CAP	1
11	-----	O-RING - CAP	1
12	-----	O-RING - PISTON	1
13	-----	O-RING - PISTON	1
14	-----	SEAL, 2-1/2 PISTON	1
15	-----	WEAR RING 2-1/2 PISTON	1
16	900598-6S	PLUG, O-RING 9/16-18	2
	171081	SEAL KIT (NOT SHOWN) (INCLUDES ITEMS 7 - 15)	

## ILLUSTRATED PARTS LIST

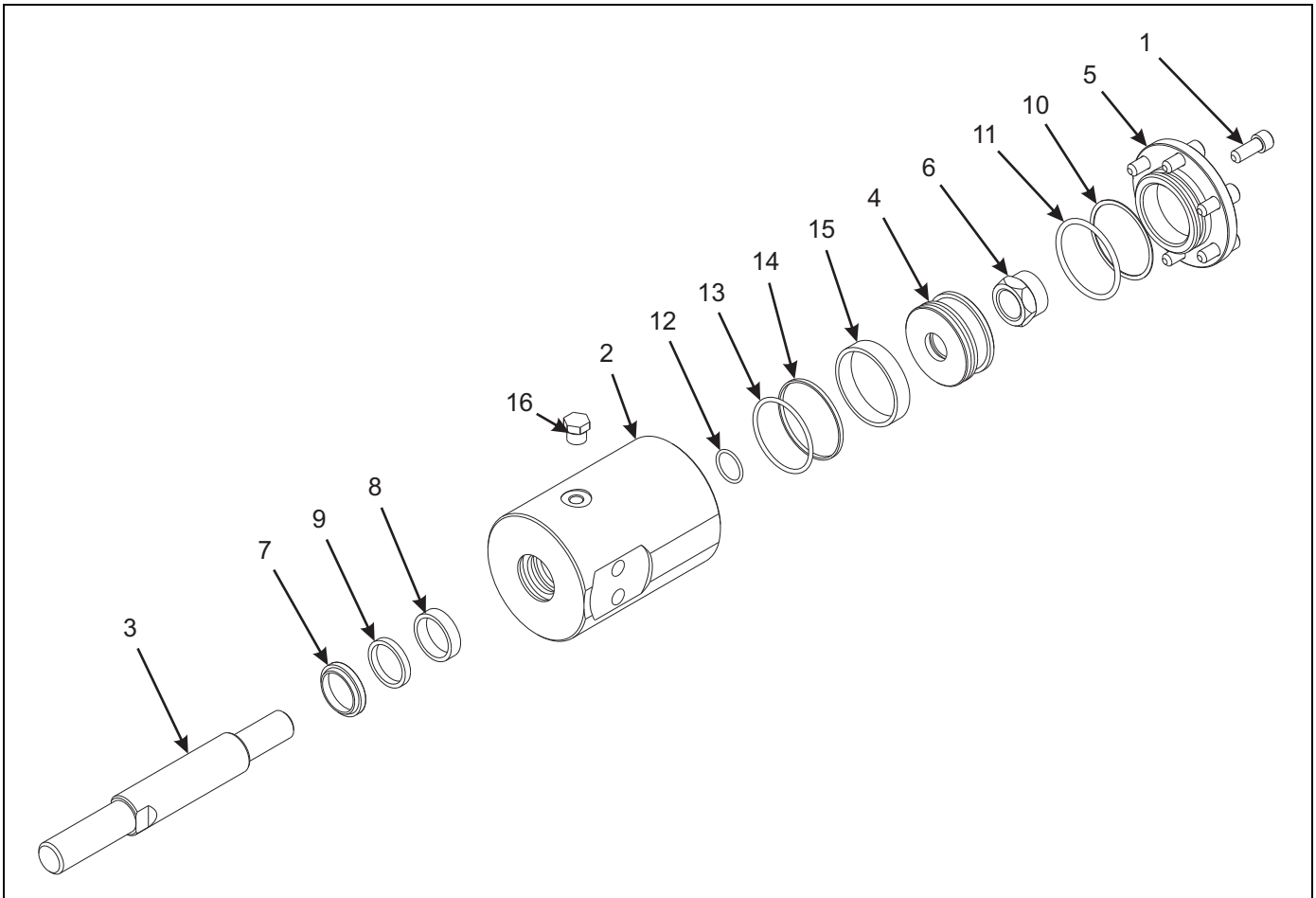


Figure 2-26: Cylinder - 2-1/2" X 1-1/2" (1-1/8" THD.)

### Cylinder - 2-1/2" X 1-1/2" (1-1/8" THD)

ITEM	PART NO.	DESCRIPTION	QTY.
	206598	CYL ASM 2-1/2X1-1/2 ST 1-1/8" THD	
1	1-654-010104245	SCREW, HEX SOCKET 3/8-16 X 1	6
2	171077	CYLINDER, BARREL	1
3	206599	ROD, 1-1/4 1-1/8" THD	1
4	171079	PISTON, 2-1/2	1
5	171080	BASE CAP 2-1/2	1
6	171093	NUT, HEX LOCK 7/8-14 GRC	1
7	-----	WIPER, 1-1/4 ROD	1
8	-----	WEAR RING, 1-1/4 ROD	1
9	-----	U-CUP, 1-1/4 ROD	1
10	-----	BACK-UP RING, CAP	1
11	-----	O-RING, CAP	1
12	-----	O-RING, PISTON	1
13	-----	O-RING, PISTON	1
14	-----	SEAL, 2-1/2 PISTON	1
15	-----	WEAR RING, 2-1/2 PISTON	1
16	900598-6S	PLUG, O-RING 9/16-18	2
17	171081	SEAL KIT (NOT SHOWN) (INCLUDES ITEMS 7 - 15)	



# ILLUSTRATED PARTS LIST

NOTE: IF REPAIRING OR REPLACING THE 7 PIN CONNECTOR, MATCH THE LETTERS AT THE BACK OF THE HARNESS TO THE 7 PIN CONNECTOR AS SHOWN. THE COLOR OF THE WIRE JACKET DOES NOT NECESSARILY MATCH THE COLOR MARKING OF THE 7 PIN CONNECTOR.

WIRING CHART	
7-PIN CONNECTION	4-PIN CONNECTION
GRND. 1	D
YEL. 3	B
GRN. 5	A
BRN. 6	C

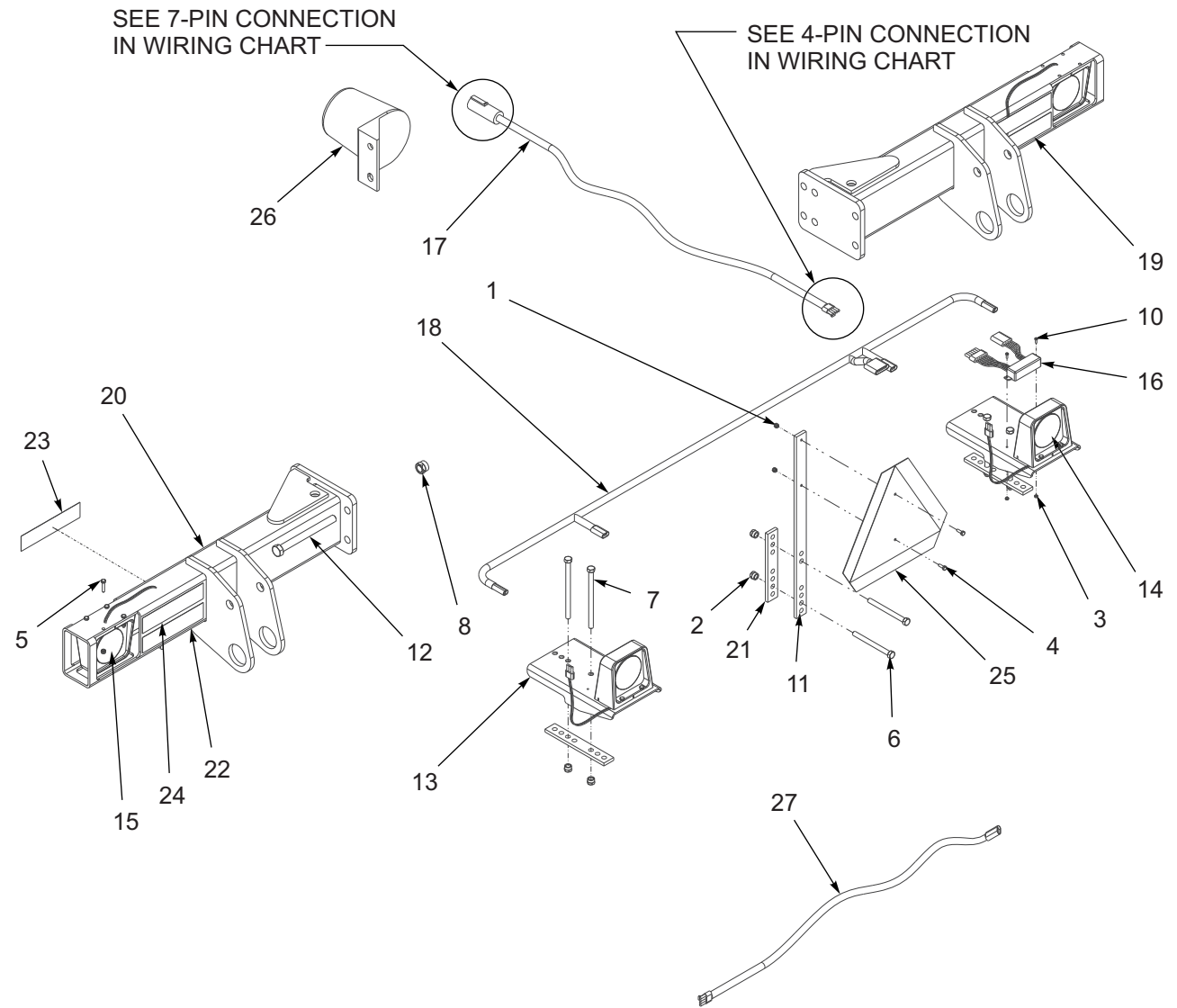
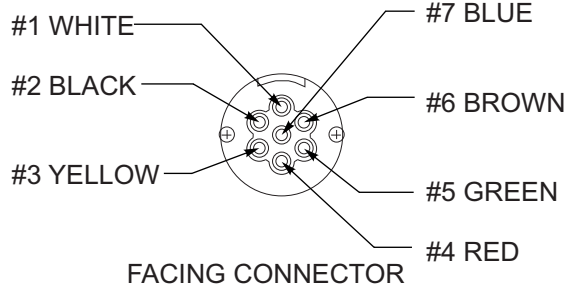


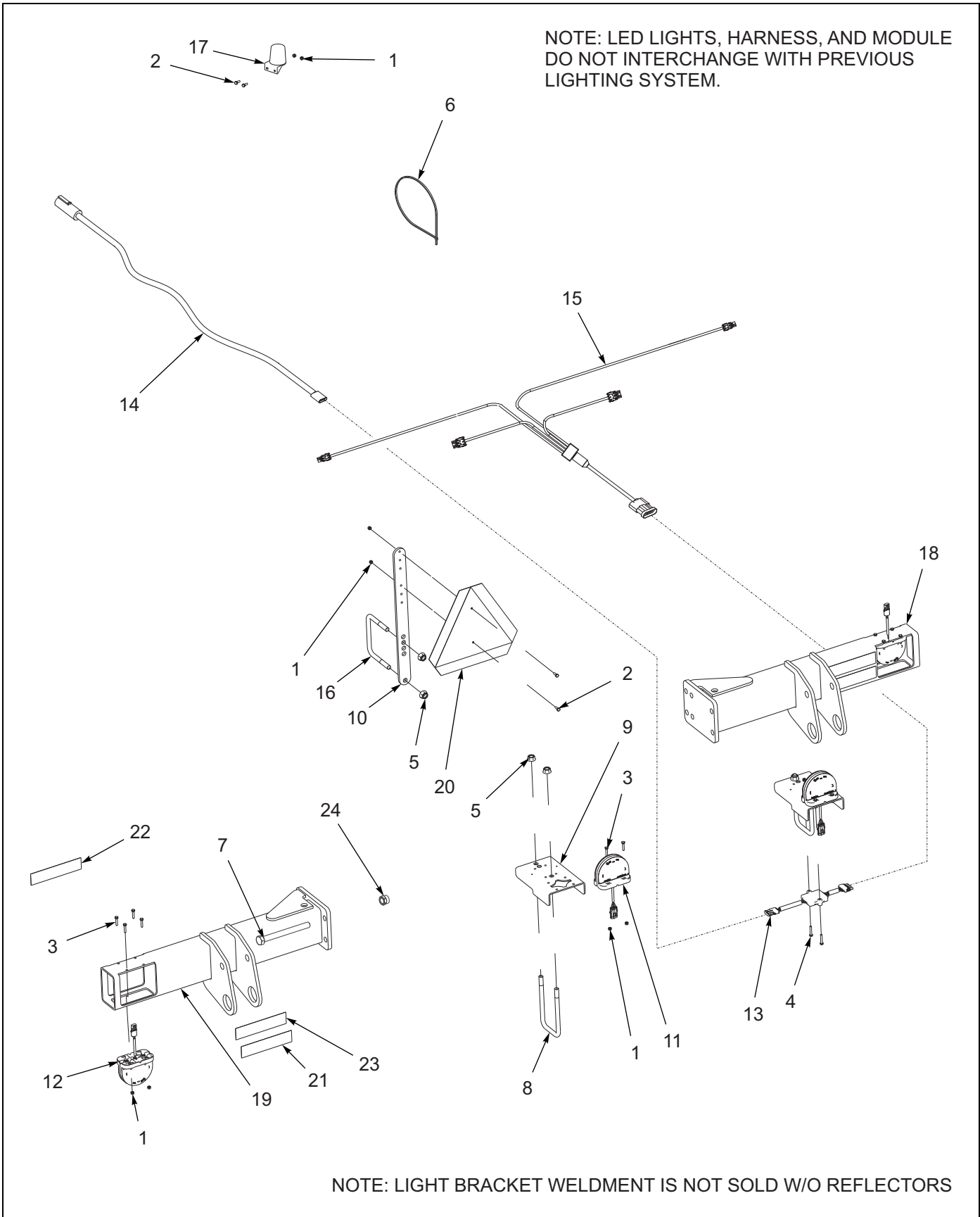
Figure 2-27: Electrical Assembly (Prior to August, 2013)

**ELECTRICAL ASSEMBLY (PRIOR TO AUGUST, 2013)**

ITEM	PART NO.	DESCRIPTION	QTY.
	154336	LIGHT KIT	
1	1-512-010005-01	NUT, HEX LOCK 1/4-20 GRB	18
2	1-512-010005-09	NUT, HEX LOCK 1/2-13 GRB	6
3	1-512-010007-02	NUT, HEX 8-32	2
4	1-654-010047-04	SCREW HEX CAP 1/4-20 X 3/4 GR5	2
5	1-654-010047-07	SCREW HEX CAP 1/4-20 X 1-1/4 GR5	16
6	1-654-010055-16	SCREW HEX CAP 1/2-13 X 5-1/2 GR5	2
7	1-654-010055-22	SCREW HEX CAP 1/2-13 X 8-1/2 GR5	4
8	1-512-010005-15	NUT, HEX LOCK 3/4-10 GRB	8
9	105874	TIE SELF LOCKING 19" <b>(NOT SHOWN)</b>	15
10	107-0762	SCREW, SLOT PAN HEAD #8-32 X 1/2	2
11	108830	BRACKET MOUNTING, SMV	1
12	162249	SCREW, HEX HEAD CAP 3/4-10 X 8 GR8	8
13	141574	BRACKET SUPPORT, TAIL LIGHT	2
14	141576	LAMP, RED W/ BRAKE	2
15	141577	LAMP, AMBER SINGLE	2
16	141578	LIGHTING MODULE, ENHANCED	1
17	141579	HARNESS, MAIN WARNING LIGHTS <b>(INCL ITEM 26)</b>	1
18	141580	HARNESS, REAR WARNING LIGHTS	1
19	161636	EXTENSION, REEL RH	1
20	161635	EXTENSION, REEL LH	1
21	2-054-010461	BAR WARNING LIGHTS	3
22	528933	REFLECTOR, RED	2
23	528934	REFLECTOR, YELLOW	2
24	528938	STRIPE, ORANGE	2
25	70260977	SMV EMBLEM	1
26	2-368-010287	HARNESS, STOR-A-WAY	1
27	2-368-010273	HARNESS, 34" EXTENSION	1

# ILLUSTRATED PARTS LIST

NOTE: LED LIGHTS, HARNESS, AND MODULE DO NOT INTERCHANGE WITH PREVIOUS LIGHTING SYSTEM.



NOTE: LIGHT BRACKET WELDMENT IS NOT SOLD W/O REFLECTORS

Figure 2-28: Electrical Assembly w/ LED Lights (After August, 2013)

7-PIN CONN	4-PIN TOWER	CIRCUIT	WIRE COLOR
1	D	GROUND	GROUND
2		WORK LAMPS	BLACK
3	B	LEFT FLASHING & TURN	YELLOW
4		STOP LAMPS	RED
5	A	RIGHT FLASHING & TURN	GREEN
6	C	TAIL LAMPS	BROWN
7		SWITCHED POWER (12V)	BLUE

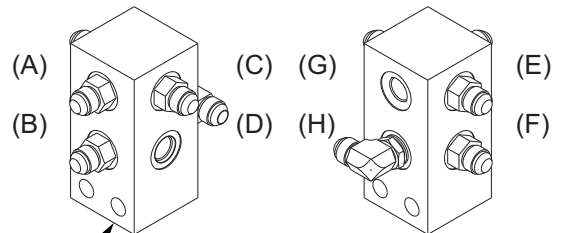
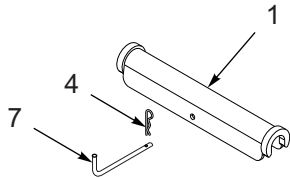
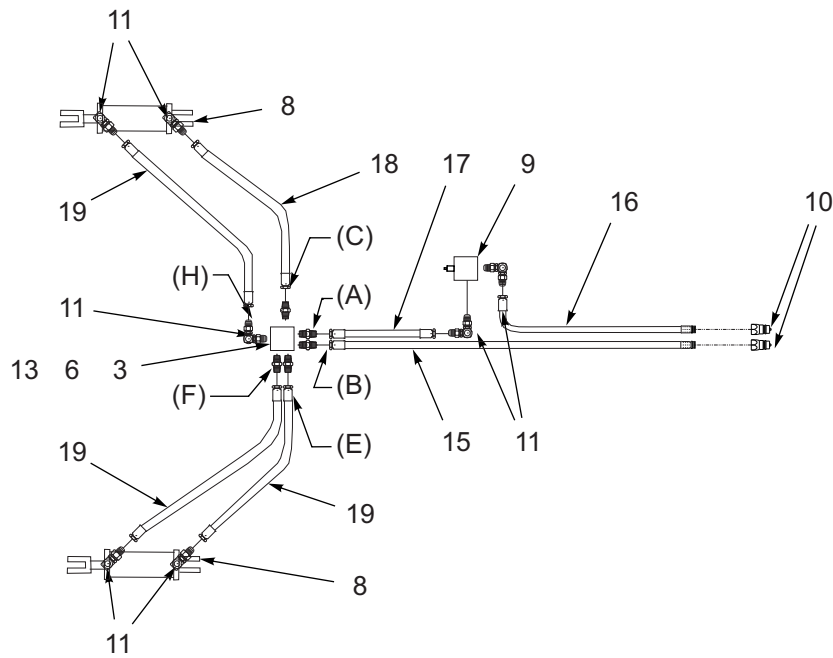
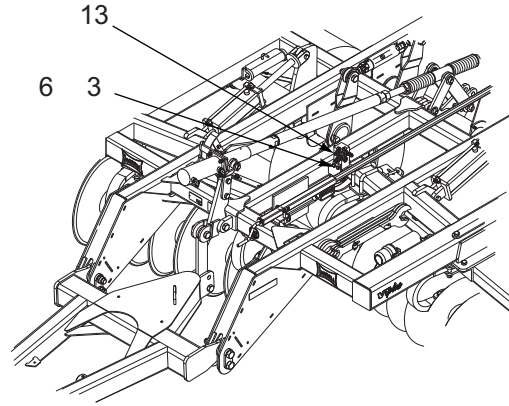
	1	2	3	4	5
	2-PIN TOWER	3-PIN TOWERS	6-PIN SHROUD	3-PIN TOWER	2-PIN TOWER
BLACK LEFT TURN			A	C	
WHITE GROUND	A	A	B	A	A
BROWN TAIL LIGHT		B	C	B	
YELLOW LEFT TURN			D		B
GREEN RIGHT TURN	B		E		
RED RIGHT TURN		C	F		

Figure 2-29: LED Warning Light Harness Wire Designations (After August, 2013)

## ELECTRICAL ASSEMBLY W/ LED LIGHTS (AFTER AUGUST, 2013)

ITEM	PART NO.	DESCRIPTION	QTY.
	177034	LIGHT KIT	
1	1-512-010005-01	NUT, HEX LOCK 1/4-20 GRB	20
2	1-654-010047-04	SCREW, HEX HEAD CAP 1/4-20 X 3/4 GR5	2
3	1-654-010047-07	SCREW, HEX HEAD CAP 1/4-20 X 1-1/4 GR5	8
4	1-654-010047-08	SCREW, HEX HEAD CAP 1/4-20 X 1-1/2 GR5	10
5	100827	NUT, FLANGE HEAD SERRATED 5/8-11	6
6	105874	TIE SELF LOCKING 19"	15
7	162249	SCREW, HEX HEAD CAP 3/4-10 X 8 GR8	8
8	157648	U-BOLT, HYDRAULIC MOUNT	2
9	164138	MOUNT, TAIL LIGHT	2
10	164142	BRACKET MOUNTING, SMV	1
11	174435	LAMP, AG RED SINGLE LED	2
12	174436	LAMP, AG AMBER SINGLE LED	2
13	174437	MODULE, AG FLASHER CONTROL	1
14	174438	HARNESS, MAIN WARNING LIGHTS	1
15	174439	HARNESS, REAR WARNING LIGHTS	1
16	2-102-010032	U-BOLT	2
17	2-368-010287	HARNESS, STOR-AWAY	1
18	161636	EXTENSION, REEL RH	1
19	161635	EXTENSION, REEL LH	1
20	70260977	SMV EMBLEM	1
21	528933	REFLECTOR, RED	2
22	528934	REFLECTOR, YELLOW	2
23	528938	STRIPE, ORANGE	2
24	1-512-010005-15	NUT, HEX LOCK 3/4-10 GRB	8

**ILLUSTRATED PARTS LIST**



FRONT OF MACHINE

PLUG PORTS D & G

**Figure 2-30: Lift Hydraulic Assembly**



**HYDRAULIC ASSEMBLY**

ITEM	PART NO.	DESCRIPTION	QTY.
1	141274	LOCKOUT, 1-3/8 X 10	2
2	1-512-010005-05	NUT, HEX LOCK 3/8-16 GRB <b>(NOT SHOWN)</b>	1
3	1-512-010005-09	NUT, HEX LOCK 1/2-13 GRB	2
4	1-557-010403	HAIRPIN, 1/8	2
5	2-181-010001	HOSE CLAMP (NOT SHOWN)	1
6	1-654-010055-11	SCREW, HEX HEAD CAP 1/2-13 X 3-1/2 GR5	2
7	104358	L PIN, CYL STOP	2
8	140470	CYLINDER, 4 X 10 REPHASE <b>(SEE PAGE 2-52)</b>	2
9	140693	VALVE, LIMIT	1
9	142656	LIMIT VALVE PARTS KIT	1
10	141828	COUPLER, MALE 3/4-16	2
11	2062-8-8S	ADAPTER, 90	7
12	202702-8-8S	ADAPTER	5
13	2-474-010022	MANIFOLD, HYDRAULIC ASSEMBLY 8 PORT	1
14	155528	HOSE WRAP, BLUE <b>(NOT SHOWN)</b>	1
14		<b>(USED TO WRAP LIFT HOSES)</b>	
15	141865	HOSE ASSEMBLY 3/8 X 204	1
16	156944	HOSE ASSEMBLY 3/8 X 184S	1
17	147582	HOSE ASSEMBLY 3/8 X 24	1
18	71508985	HOSE ASSEMBLY 3/8 X 30	1
19	1-397-010369036	HOSE ASSEMBLY 3/8 X 36	3

## ILLUSTRATED PARTS LIST

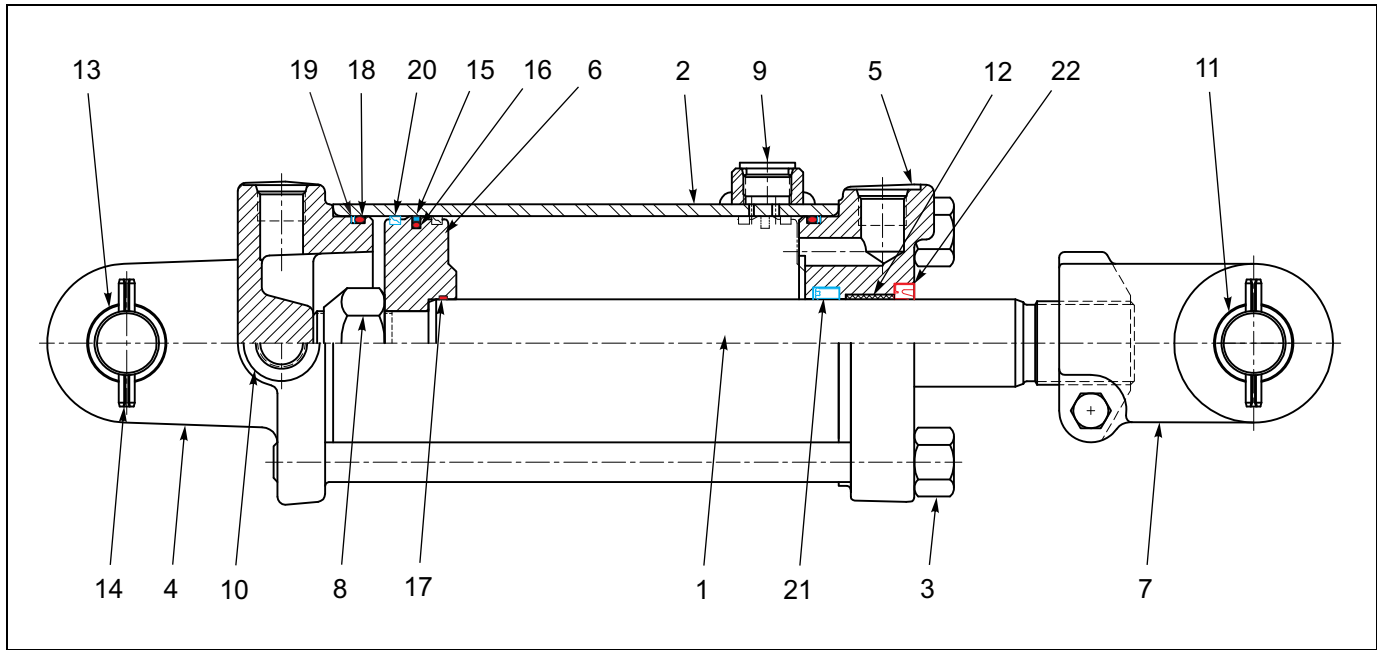


Figure 2-31: Cylinder - Rephase Assembly - 4 X 10 (1" Pin)

## Cylinder - Rephase Assembly - 4 X 10 (1" Pin)

ITEM	PART NO.	DESCRIPTION	QTY.
	140470	CYLINDER 4X10 REPHASE (1" PIN)	
1	142106	ROD, PISTON	1
2	--	TUBE	1
3	--	TIE ROD ASSY	1
4	142114	BUTT CLEVIS ASSY	1
5	142109	GLAND	1
6	--	PISTON	1
7	142110	CLEVIS ASSY	1
8	--	NUT, LOCK	1
9	--	PLUG, PORT	1
10	--	PLUG, PORT	3
11	142112	BUSHING	4
12	141301	BUSHING	1
13	111790	CLEVIS PIN	2
14	111789	ROLL PIN	4
15	--	TEFLON SEAL	1
16	--	O- RING	1
17	--	O- RING	1
18	--	O- RING	2
19	--	BU- WASHER	2
20	--	BEARING RING	2
21	--	U- CUP	1
22	--	CANNED WIPER	1
	142111	PACKING KIT (NOT SHOWN) (INCLUDES ITEMS 15-22)	

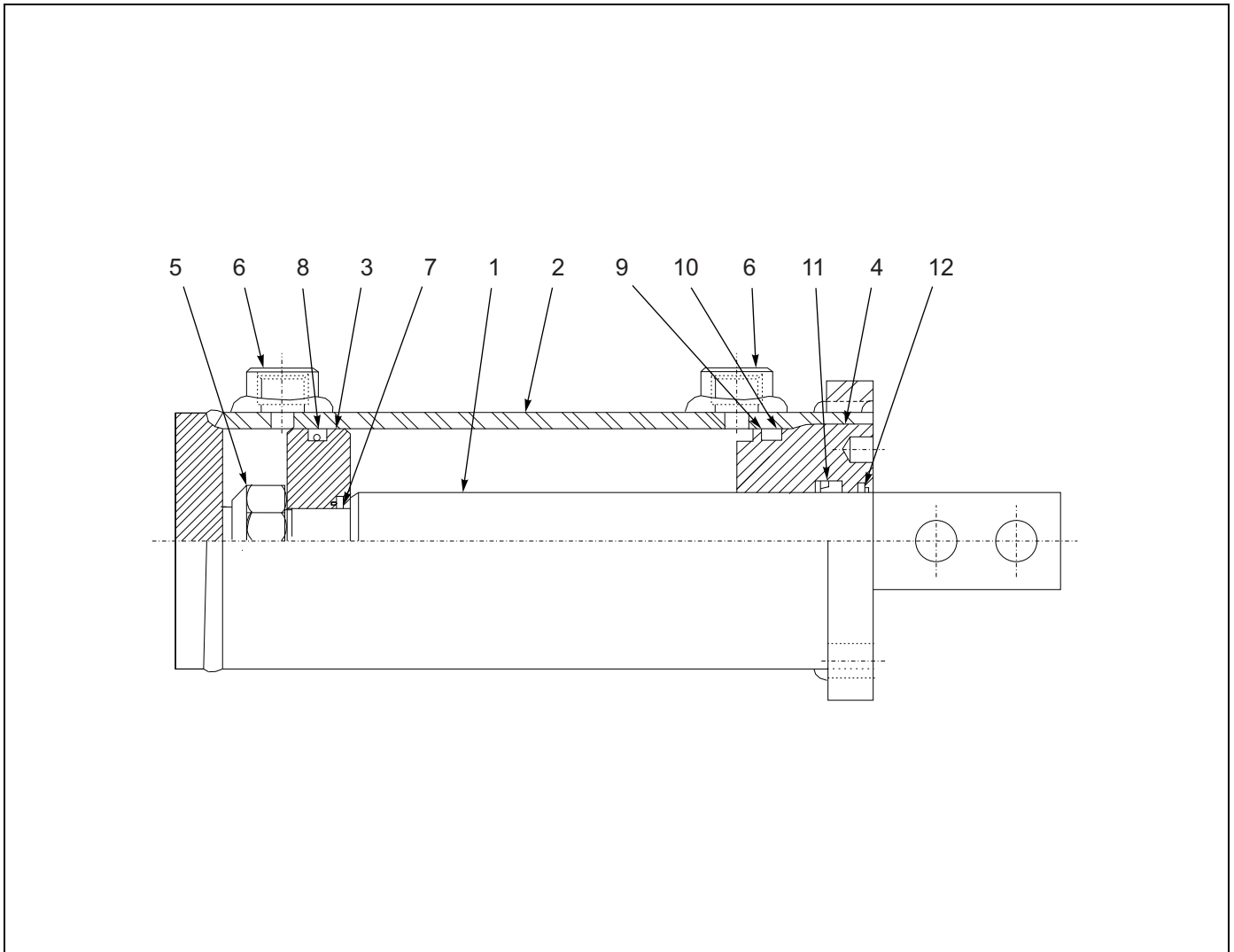



Figure 2-32: 3-1/2 x 6" Hydraulic Cylinder

## Cylinder Hydraulic 3-1/2" X 6"

ITEM	PART NO.	DESCRIPTION	QTY.
	140631	CYLINDER HYDRAULIC 3-1/2" X 6"	
1	142803	PISTON ROD	1
2	----	BUTT AND TUBE ASSEMBLY	1
3	----	PISTON	1
4	142806	GLAND	1
5	----	LOCKNUT	1
6	----	PORT PLUG	2
7	----	O-RING	1
8	----	CROWN SEAL	1
9	----	O-RING	1
10	----	BU-WASHER	1
11	----	U-CUP	1
12	----	CANNED WIPER	1
13	142807	PACKING KIT (NOT SHOWN) (INCL ITEMS 7-12)	

# ILLUSTRATED PARTS LIST


 Marysville  
 Kansas  
 66508  
 MODEL NUMBER   
 SERIAL NUMBER   
 MADE IN U S A

1



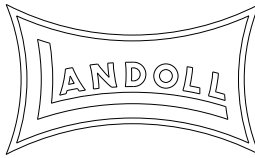
3



4


**WARNING**  
 1. BEFORE OPERATING - STUDY OPERATORS MANUAL SAFETY MESSAGES AND SAFE OPERATING PROCEDURES. READ SAFETY SIGNS ON THIS MACHINE.  
 2. TRANSPORT ON PUBLIC ROADS - OBSERVE FEDERAL, STATE AND LOCAL REGULATIONS; DISPLAY SMV EMBLEM; ATTACH PROPER STRENGTH IMPLEMENT SAFETY CHAIR; AND LIMIT MAXIMUM SPEED TO 20mph (32 km/h).  
 3. LOWER OR BLOCK ALL ELEVATED COMPONENTS BEFORE SERVICING OR LEAVING THIS MACHINE.

5



6



7



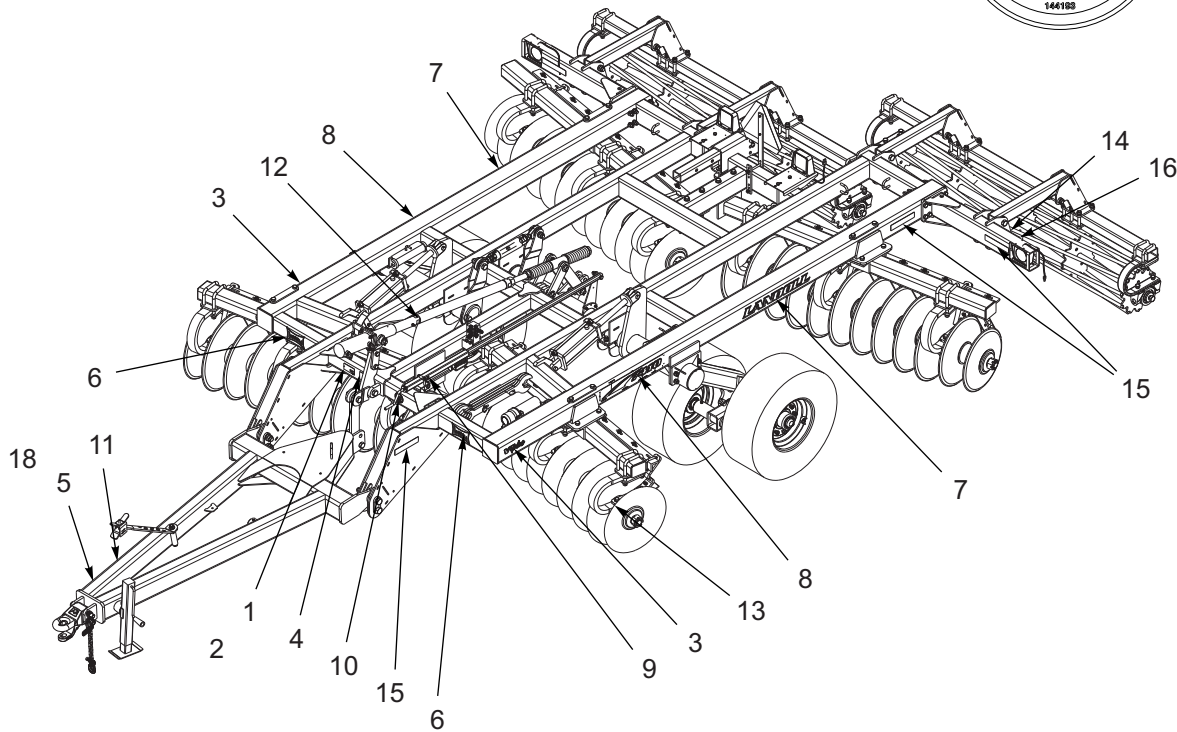
8



9



10



**HOSE IDENTIFICATION**  
 BLUE - LIFT WHEELS  
 YELLOW - WING FOLD  
 BLACK - AUXILIARY  
188628

11



12



13



17

**DANGER**  
 ELECTROCUTION HAZARD  
 To prevent serious injury or death:  
 \*Only work from power lines when disconnecting, extending or testing equipment.  
 \*Disconnect one meter without contacting power lines.

18

Figure 2-33: Decal Installation

## DECAL INSTALLATION

ITEM	PART NO.	DESCRIPTION	QTY.
1	1-573-010006	PLATE, NAME	
2	156010	RIVET, BLIND .156 X 1/2	
3	155600	DECAL, VT PLUS	
4	2-573-010198	DECAL MEMBER FEMA	
5	8-573-010084	DECAL WARNING BEFORE OPERATING	
6	141259	DECAL, LANDOLL YELLOW	
7	141260	DECAL, LANDOLL	
8	161650	DECAL, MODEL 7410	
9	141262	DECAL, DEPTH STOP INDICATOR	
10	144193	DECAL, SIS 20 MPH	
11	155523	DECAL, HOSE IDENTIFICATION	
12	2-573-010330-03	DECAL LUBRICATION 50 HOURS	
13	2-573-010330-02	DECAL LUBRICATION 10 HOURS	
14*	528933	REFLECTOR, RED	
15*	528934	REFLECTOR, YELLOW	
16*	528938	STRIPE, ORANGE	
17**	141263	DECAL, LEVEL INDICATOR	
18	141597	DECAL, DANGER ELECTROCUTION	

\* SEE PAGE 2-47 FOR DECAL LOCATION.

\*\* SEE PAGE 2-19 FOR DECAL LOCATION.



# Numerical Index

## Numerics

0600-250-01250	2-7	123579	2-10
0600-250-03000	2-42	124696	2-19
100214	2-11	127712	2-5
100823	2-7	129263	2-37
100827	2-49	1-298-010001-01	2-12
100829	2-25, 2-27, 2-33, 2-35	1-298-010001-1	2-6, 2-7, 2-10, 2-14, 2-16, 2-19
100844	2-10	131081	2-11
100855	2-39	137943	2-31
101988	2-5	139347	2-29
102351	2-11, 2-19	1-397-010369036	2-51
102600	2-5	140464	2-21
103841	2-10	140469	2-21
104358	2-51	140470	2-5, 2-51, 2-52
105874	2-47, 2-49	140473	2-21
107-0762	2-47	140475	2-21
107491	2-3, 2-33, 2-35	140476	2-21
1-076-010007	2-5	140477	2-21, 2-31
1-076-010010	2-5	140479	2-21, 2-31
108705	2-37	140480	2-21, 2-31
108830	2-47	140481	2-21
111789	2-52	140482	2-21
111790	2-52	140483	2-21
116489	2-19	140484	2-21
117957	2-25, 2-27, 2-33, 2-35	140485	2-21
119118	2-5	140487	2-21
122709	2-14	140490	2-21
122917	2-15	140491	2-21
123547	2-19	140519	2-5
		140525	2-11, 2-16

## NUMERICAL INDEX

---

140526	2-11, 2-19	141238	2-5
140533	2-3	141241	2-19
140548	2-5	141242	2-19
140554	2-5	141243	2-10
140575	2-10	141246	2-10
140594	2-5	141247	2-10
140595	2-5	141249	2-10
140598	2-14, 2-16	141250	2-13
140599	2-14, 2-16, 2-25, 2-27, 2-33, 2-35	141252	2-10
140606	2-10	141253	2-10
140607	2-10, 2-14	141254	2-10
140609	2-14	141255	2-10
140610	2-14	141256	2-10
140616	2-10, 2-16, 2-19	141259	2-55
140619	2-10	141260	2-55
140625	2-19	141262	2-15, 2-55
140627	2-19	141263	2-19, 2-55
140630	2-16	141274	2-51
140631	2-19, 2-53	141301	2-52
140646	2-5	141574	2-47
140647	2-10, 2-13	141576	2-47
140649	2-14	141577	2-47
140693	2-51	141578	2-47
141109	2-3	141579	2-47
141154	2-21	141580	2-47
141198	2-5	141597	2-55
141209	2-5	141776	2-10
141213	2-15	141777	2-10
141216	2-15	141807	2-10
141217	2-15	141809	2-5
141220	2-10, 2-15	141827	2-19
141222	2-15	141828	2-19, 2-29, 2-39, 2-51
141223	2-15	141854	2-29
141224	2-10	141861	2-19
141225	2-10	141865	2-39, 2-51
141227	2-5	142106	2-52
141234	2-5	142109	2-52
141236	2-5	142110	2-52



142111 .....	2-52	1-512-010005-19 ..	2-5, 2-10, 2-25, 2-27, 2-33, 2-35
142112 .....	2-52	1-512-010007-02 .....	2-47
142114 .....	2-52	1-512-010007-07 .....	2-10
142189 .....	2-13	1-512-010007-11 .....	2-10
142190 .....	2-13	1-512-010007-14 .....	2-25, 2-27, 2-33
142191 .....	2-13	1-512-010008-12 .....	2-11
142192 .....	2-13	1-512-010047-06 .....	2-10
142193 .....	2-13	1-512-01005-03 .....	2-39
142194 .....	2-13	1-512-01005-05 .....	2-39
142581 .....	2-23	1-512-01005-13 .....	2-39, 2-41
142643 .....	2-10	1-512-01005-15 .....	2-39
142645 .....	2-10, 2-16	1-512-01005-19 .....	2-39, 2-41
142646 .....	2-10, 2-19	151548 .....	2-23
142656 .....	2-51	151550 .....	2-21
142668 .....	2-39	1-516-010001-20 .....	2-5
142669 .....	2-39	152209 .....	2-25, 2-27, 2-33, 2-35
142671 .....	2-39	152210 .....	2-25, 2-33
142753 .....	2-3	153649 .....	2-21
142803 .....	2-53	153650 .....	2-21
142806 .....	2-53	153651 .....	2-21
142807 .....	2-53	153652 .....	2-21
143067 .....	2-5	153696 .....	2-10
144155 .....	2-21	153701 .....	2-23
144193 .....	2-55	153702 .....	2-23
147553 .....	2-5	153716 .....	2-31
147582 .....	2-51	153803 .....	2-7
148337 .....	2-31	153804 .....	2-5
148338 .....	2-39	154185 .....	2-31
148371 .....	2-39	154186 .....	2-31
1-511-010002-11 .....	2-35	154336 .....	2-47
1-512-010005-01 .....	2-3, 2-10, 2-47, 2-49	154392 .....	2-25, 2-27, 2-33, 2-35
1-512-010005-03 .....	2-10	154393 .....	2-31
1-512-010005-05 .....	2-5, 2-11, 2-19, 2-51	154658 .....	2-31
1-512-010005-09 ..	2-5, 2-11, 2-19, 2-21, 2-29, 2-47, 2-51	154668 .....	2-21
1-512-010005-13 .....	2-10, 2-16, 2-31, 2-37	154686 .....	2-25, 2-27, 2-31
1-512-010005-15 ..	2-3, 2-5, 2-10, 2-21, 2-25, 2-27, 2-33, 2-35, 2-42, 2-47, 2-49	154691 .....	2-31
		154748P .....	2-25, 2-27
		155523 .....	2-55

## NUMERICAL INDEX

---

155528	2-51	161500	2-12
155530	2-19	161550	2-11
155600	2-55	161599	2-3
155617	2-23	161605	2-23
155618	2-23	161606	2-23
155619	2-23	161607	2-23
1-557-010013	2-42	161608	2-23
1-557-010362-51	2-5	161621	2-23
1-557-010403	2-19, 2-51	161635	2-33, 2-35, 2-47, 2-49
156010	2-55	161636	2-33, 2-35, 2-47, 2-49
156905	2-39, 2-41	161644	2-25
156944	2-51	161650	2-55
156950	2-10	162191	2-39
156953	2-25, 2-27, 2-33, 2-35, 2-42	162249	2-3, 2-47, 2-49
156954	2-42	164138	2-49
156955	2-42	164142	2-49
156956	2-42	1-647-010004217	2-15
156957	2-39, 2-42	1-647-010004236	2-25, 2-27, 2-33, 2-35
156992	2-6	1-647-010004240	2-10, 2-16, 2-19, 2-39
157019	2-5	1-647-010004257	2-21
1-573-010006	2-55	1-654-010032-05	2-3, 2-31
157648	2-49	1-654-010032-09	2-21
158745	2-5	1-654-010047-04	2-15, 2-47, 2-49
158746	2-5	1-654-010047-06	2-3
158778	2-10	1-654-010047-07	2-47, 2-49
158795	2-25, 2-27, 2-33	1-654-010047-08	2-49
158841	2-39, 2-41	1-654-010049-05	2-39
158843	2-7	1-654-010051-06	2-5
158844	2-5, 2-7	1-654-010051-09	2-19
158847	2-25, 2-27	1-654-010051-11	2-11, 2-39
158850	2-3	1-654-010051-13	2-11, 2-19
158896	2-25, 2-33	1-654-010055-03	2-27
158897	2-25, 2-33	1-654-010055-05	2-19, 2-21, 2-27, 2-35
158898	2-23	1-654-010055-11	2-5, 2-29, 2-51
158903	2-5	1-654-010055-16	2-47
15G816ER	2-6	1-654-010055-22	2-47
160161	2-21	1-654-010059-03	2-39
160597	2-5	1-654-010059-09	2-10

1-654-010059-11	2-16	173013	2-29
1-654-010061-05	2-5	173024	2-27, 2-29
1-654-010061-09	2-39	174435	2-49
1-654-010061-13	2-39, 2-42	174436	2-49
1-654-010061-19	2-10	174437	2-49
1-654-010065-13	2-5, 2-10	174438	2-49
1-654-010070-02	2-21	174439	2-49
1-654-010070-03	2-37	174526	2-37
1-654-010080-02	2-7	174532	2-37
1-654-010087-16	2-11	174695	2-11
1-654-010104245	2-43, 2-44	174721	2-19
1-654-010125-22	2-11	176636	2-37
166718	2-21	176973	2-39
168767	2-39	176979	2-39
168768	2-39	176984	2-39
168771	2-39	176985	2-39
168773	2-39	176992	2-39
171024	2-5	176994	2-39
171063	2-5	177030	2-12
171070	2-5	177032	2-12
171074	2-27	177034	2-49
171076	2-27, 2-29, 2-43	180148	2-39, 2-41
171077	2-43, 2-44	180149	2-39
171078	2-43	180150	2-39, 2-41
171079	2-43, 2-44	180165	2-23
171080	2-43, 2-44	184708	2-6
171081	2-43, 2-44	18530	2-27
171093	2-43, 2-44	185757	2-37
172509	2-21, 2-37	186100	2-23
172884	2-25, 2-27	186101	2-23
172962	2-5	1-861-010032-07	2-3
172972	2-29	1-861-010032-11	2-11, 2-19
172973	2-29	1-861-010032-14	2-5, 2-21
172974	2-29	1-861-010032-20	2-3
172976	2-29	1-861-010032-21	2-42
172978	2-29	1-861-010032-24	2-10, 2-16, 2-19
172983	2-27	1-861-010032-32	2-14, 2-16
172998	2-29	1-861-010034-09	2-15

## NUMERICAL INDEX

---

1-861-010034-13	2-27, 2-35	206652	2-27, 2-35
1-861-010034-17	2-21, 2-31, 2-37, 2-39	206671	2-35
1-861-010034-21	2-25, 2-31, 2-33	206675	2-27
188530	2-35	2-073-010012	2-10, 2-16, 2-19
189451	2-11, 2-12	2-102-010032	2-49
189453	2-12	212046	2-6
189454	2-12	2-150-010008	2-6, 2-10
189468	2-12	215341	2-6
190956	2-37	2-181-010001	2-11, 2-19, 2-51
191924	2-27, 2-35	23085	2-21
191925	2-27, 2-35	2-368-010273	2-39, 2-47
191948	2-33	2-368-010287	2-47, 2-49
198320	2-27, 2-35	2-375-010601	2-10
198322	2-6	2-375-010602	2-10
198342	2-5	2-474-010022	2-29, 2-51
1P444	2-27, 2-35	2-557-010409	2-39, 2-42
200129	2-6	2-557-010426	2-13
200218	2-37	2-573-010198	2-55
200221	2-37	2-573-010330-02	2-55
200222	2-37	2-573-010330-03	2-19, 2-55
200259	2-37	2-654-010097	2-7
200310	2-5	2-654-010098	2-7
202702-8-6S	2-29	415	2-5
202702-8-8S	2-19, 2-51	5000	2-21
203525	2-33, 2-35	500171	2-13
204385	2-5	528933	2-47, 2-49, 2-55
204400	2-37	528934	2-39, 2-47, 2-49, 2-55
204417	2-33, 2-35, 2-37	528938	2-47, 2-49, 2-55
204505	2-33, 2-35	6-102-010009	2-31
204510	2-33, 2-35	70239854	2-3
204511	2-33, 2-35	70260977	2-47, 2-49
2-054-010461	2-47	71500166	2-29
2061-6-6S	2-27, 2-29	71508985	2-51
2062-6-6S	2-29	71509125	2-29
2062-8-6S	2-29	7779-34	2-29
2062-8-8S	2-51	7779-72	2-29
206598	2-27, 2-29, 2-44	7779-90	2-29
206599	2-44	8-102-010012	2-37

8-573-010084 ..... 2-55  
900598-6S ..... 2-43, 2-44  
9-9557-010457-01 ..... 2-39

**W**

---

W908409-4 ..... 2-39  
Table provided for general use. W908409-4 2-37T



**Document Control Revision Log:**

<b>Date</b>	<b>Revision</b>	<b>End Item #</b>	<b>Improvement(s) Description and Comments</b>
04/29/11	F-587-0111	7431	Initial Release
11/07/18	F-587-1118	7431	ECN44047 walking beam revision,



---

# Intertek

Equipment from Landoll Corporation is built to exacting standards ensured by ISO 9001 registration at all Landoll manufacturing facilities.

## Model 7410 VT Plus Parts Manual

Re-Order Part Number F-587-1118

**LANDOLL CORPORATION**

1900 North Street

Marysville, Kansas 66508

(785) 562-5381

800-428-5655 ~ [WWW.LANDOLL.COM](http://WWW.LANDOLL.COM)



Copyright 2010. Landoll Corporation

“All rights reserved, including the right to reproduce this material or portions thereof in any form.”

Scan to go to [www.landoll.com](http://www.landoll.com)

