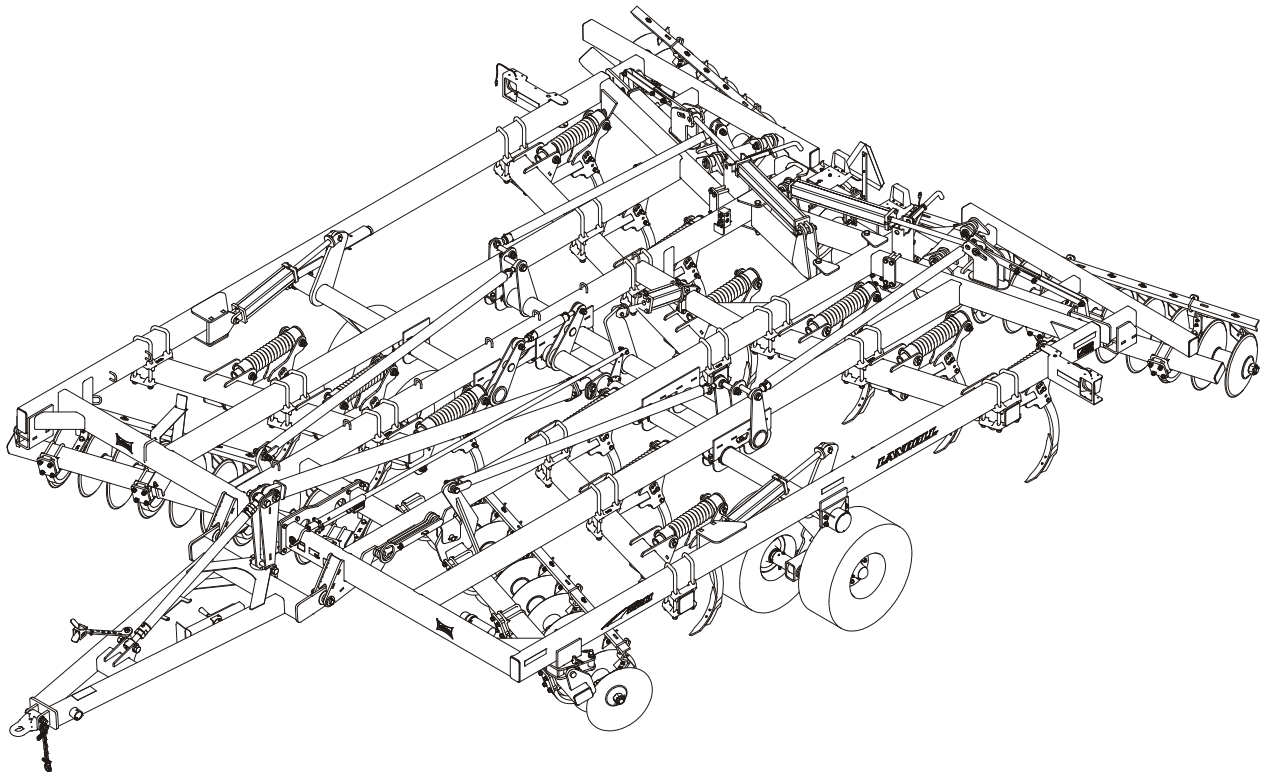




Model 2211 Ripoll Parts Manual



LANDOLL CORPORATION

1900 North Street
Marysville, Kansas 66508
(785) 562-5381

800-428-5655 ~ WWW.LANDOLL.COM

Table of Contents

1 Instructions for Ordering Parts

2 Illustrated Parts List

GENERAL ASSEMBLY	2-1
FRAME ASSEMBLY (2211-09 & -11)	2-3
FRAME AND WING ASSEMBLY (2211-13 & -15)	2-5
FOLD ANCHOR ASSEMBLY	2-7
LIFT WHEEL ASSEMBLY, FRAME (2211-09 & -11)	2-9
HUB AND SPINDLE ASSEMBLY, 8 BOLT	2-11
LIFT WHEEL ASSEMBLY, FRAME (2211-13 & -15) (USED ON S/N 22L1000178 AND BEFORE JANUARY, 2011)	2-13
LIFT WHEEL ASSEMBLY, FRAME (2211-13 & -15) (USED ON S/N 22L1000179 AND AFTER JANUARY, 2011)	2-15
HUB AND SPINDLE ASSEMBLY, 8 BOLT	2-17
HITCH AND LEVELING LINKAGE ASSEMBLY	2-20
FOLD LOCK ASSEMBLY	2-22
REAR JACK ASSEMBLY	2-23
HOOK LATCH ASSEMBLY	2-24
7,000 Lb. Sidewind Jack Assembly	2-25
LEVELER ASSEMBLY	2-27
DEPTH STOP TUBE ASSEMBLY	2-28
AUTO RESET CLAMP ASSEMBLY	2-31
DISC GANG ASSEMBLY	2-33
DISC GANG PLACEMENT	2-35
DISC GANG DEPTH ADJUSTMENT	2-37
RADIUS ROD ASSEMBLY, FRONT	2-38
RADIUS ROD ASSEMBLY, REAR	2-39
GANG DEPTH GAUGE ASSEMBLY	2-41
DISC GANG MOUNTING HARDWARE	2-43
CHOPPER REEL ASSEMBLY	2-47
CONDITIONER REEL ASSEMBLY	2-51
TUBULAR MOUNT CHOPPER/CONDITIONER REEL ARM ASSEMBLY	2-53

HYDRAULIC CHOPPER REEL ASSEMBLY	2-57
HYDRAULIC TUBULAR MOUNT CHOPPER REEL ARM ASSEMBLY	2-59
TUBULAR MOUNT CHOPPER REEL ARM ASSEMBLY	2-61
2211-09/11 CHOPPER REEL HYDRAULIC ASSEMBLY	2-63
2211-13/15 CHOPPER REEL HYDRAULIC ASSEMBLY	2-65
2-1/2 X 1-1/2 HYDRAULIC CYLINDER	2-67
REEL/GANGBAR ASSEMBLY	2-69
ELECTRICAL ASSEMBLY (PRIOR TO AUGUST, 2013)	2-71
ELECTRICAL ASSEMBLY (AFTER AUGUST, 2013)	2-73
HYDRAULIC ASSEMBLY	2-77
CYLINDER HYDRAULIC 4" X 30"	2-79
CYLINDER HYDRAULIC 4" X 16"	2-81
CYLINDER, 8" HYDRAULIC ASSEMBLY	2-83
CYLINDER, HYDRAULIC 3-1/2" X 16"	2-85
DECAL INSTALLATION	2-87

3 Numerical Index

Instructions for Ordering Parts

ORDER PARTS FROM LANDOLL PARTS DISTRIBUTION CENTER

**** Repair parts must be ordered through an Authorized Dealer ****

PHONE NO.: 1-800-423-4320 OR 1-800-428-5655 OR 1-785-562-5381

FAX NO.: 888-527-3909

ORDER ONLINE: companystore.landoll.com

IDENTIFICATION PLATE

The identification plate, which lists the model number and serial number, is located on the center front of the frame (See Figure 1-1.)

SERIAL NUMBER NOMENCLATURE

The serial number for the 2211 Ripoll is located on the identification plate.

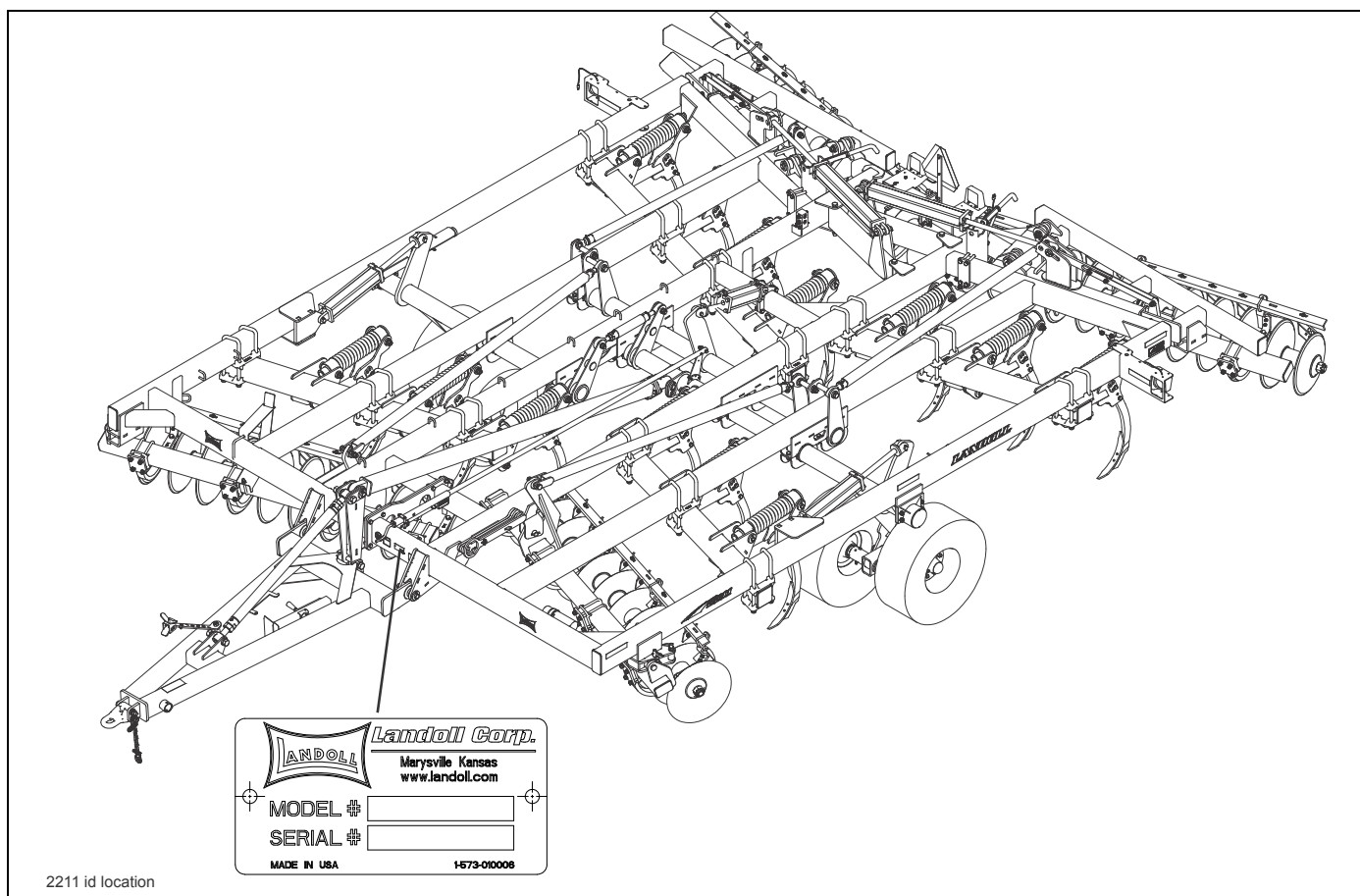


Figure 1-1: Identification Plate and Location

Page Intentionally Blank

Illustrated Parts List

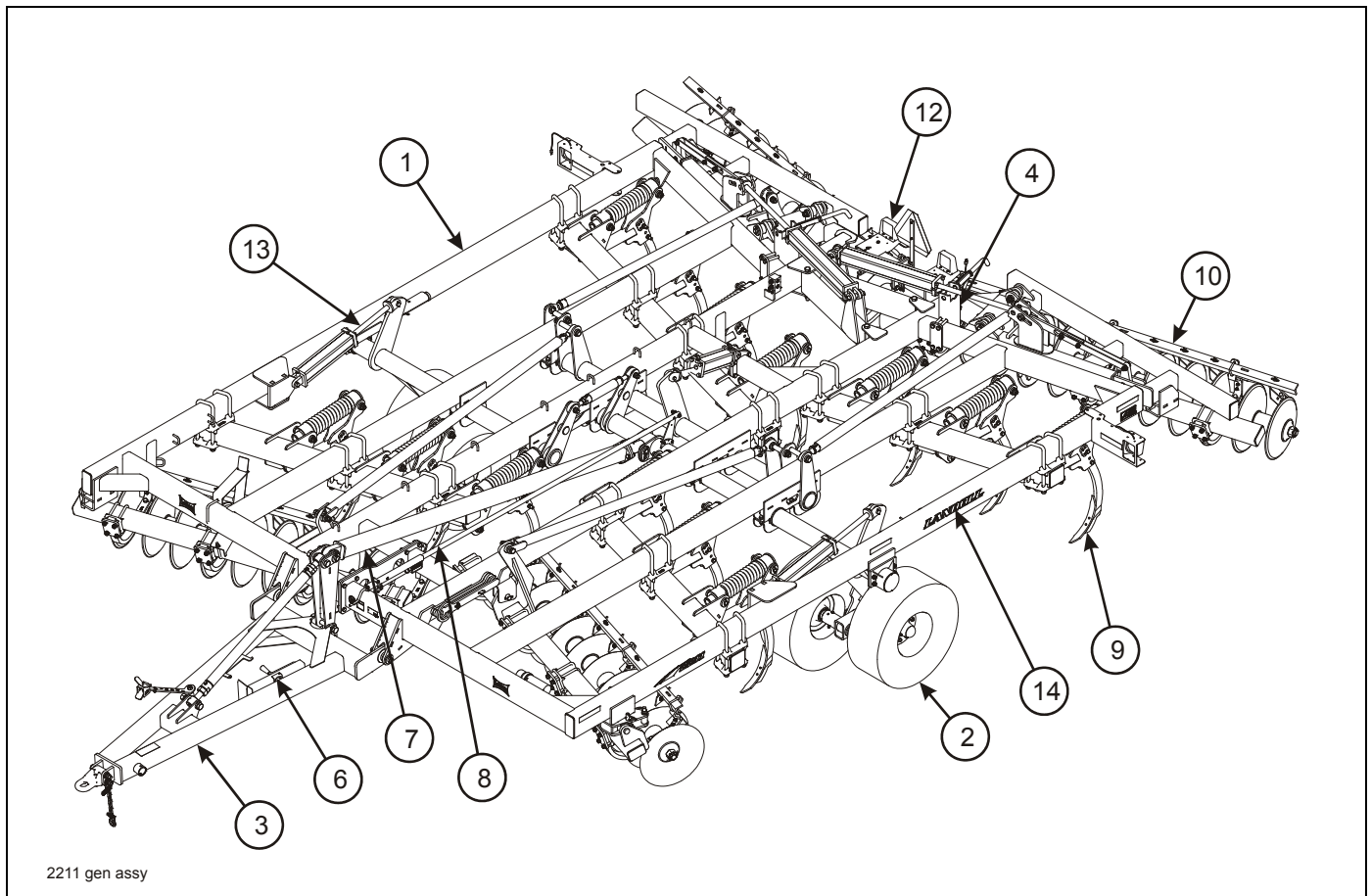


Figure 2-1: General Assembly

GENERAL ASSEMBLY

ITEM	PAGE NO.	DESCRIPTION	QTY.
1	2-2 - 2-5	FRAME AND WING ASSEMBLIES	
2	2-8 - 2-15	FRAME LIFT WHEEL ASSEMBLIES	
3	2-18 - 2-20	HITCH AND LEVELING LINKAGE ASSEMBLY	
4	2-22	FOLD LOCK ASSEMBLY	
5	2-23	REAR JACK ASSEMBLY (OPTION) (NOT SHOWN)	
6	2-25 - 2-25	7,000 LB. SIDEWIND JACK ASSEMBLY	
7	2-26 - 2-27	LEVELER ASSEMBLY	
8	2-28	DEPTH STOP TUBE ASSEMBLIES	
9	2-29 - 2-31	CLAMP ASSEMBLIES	
10	2-32 - 2-43	DISC GANG ASSEMBLIES	
11	2-46 - 2-69	CHOPPER REEL ASSEMBLIES (NOT SHOWN)	
12	2-70 - 2-71	ELECTRICAL INSTALLATION	
13	2-74 - 2-85	HYDRAULIC ASSEMBLIES	
14	2-86 - 2-87	DECAL INSTALLATION	

ILLUSTRATED PARTS LIST

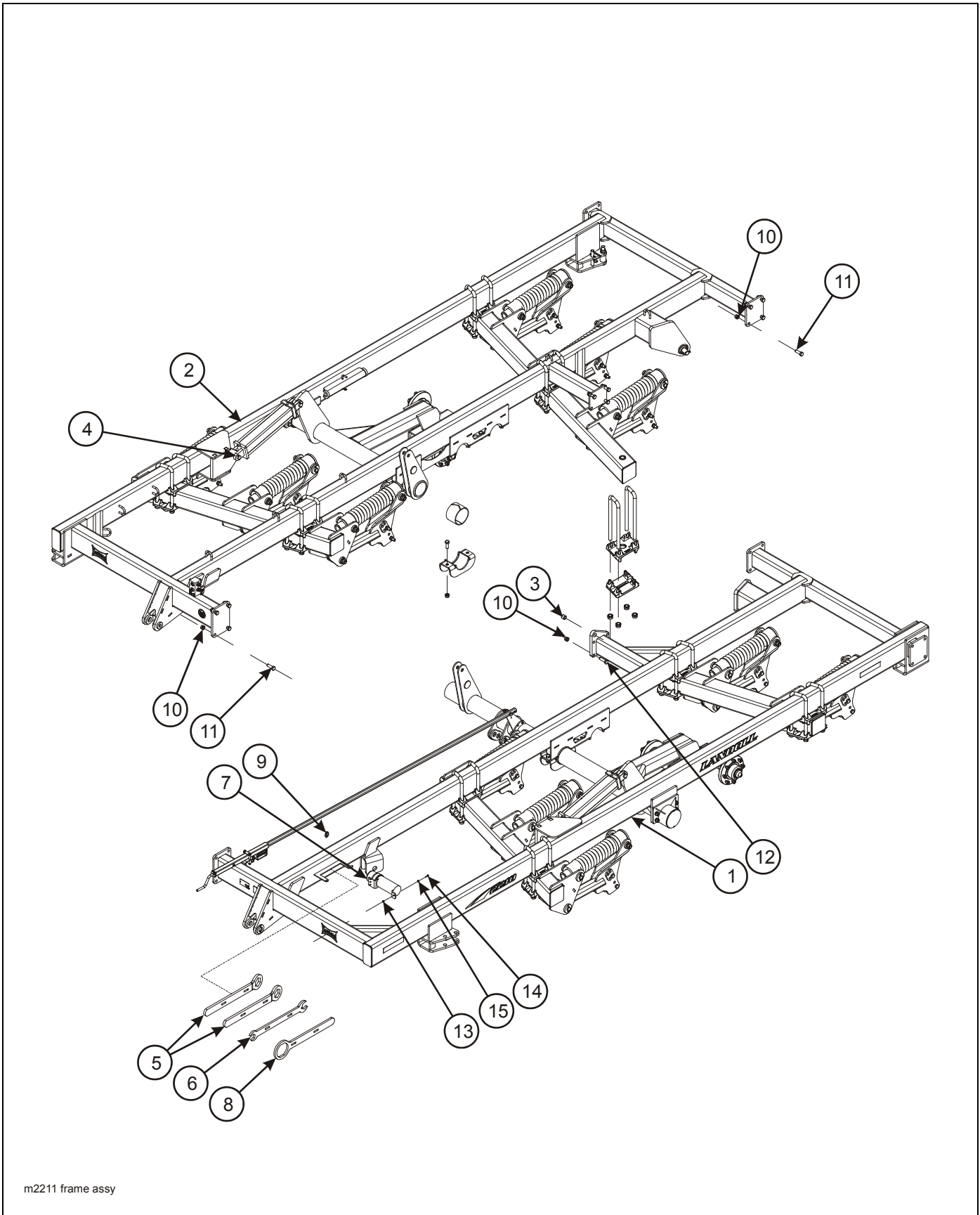


Figure 2-2: Frame Assembly (2211-09 & -11)

FRAME ASSEMBLY (2211-09 & -11)

ITEM	PART NO.	DESCRIPTION	QTY.
1	158862	FRAME, LEFT (2211-09 & -11)	1
2	158863	FRAME, RIGHT (2211-09 & -11)	1
3	2-150-010008	BUSHING, STEEL 1-1/4 X 1 X 1	1
4	2-150-010174	BUSHING, 1-5/8 X 1-1/4 X 1	2
5	140533	GANG WRENCH	2
6	141109	WRENCH, ADJUSTMENT	1
7	142753	MANUAL HOLDER	1
8	147070	WRENCH, COULTER GANG	1
9	70239854	PIN, QUICK HITCH	1
10	1-512-010005-15	NUT, HEX LOCK 3/4-10 GRB	12
11	1-654-010061-06	SCREW, HEX HEAD CAP 3/4-10 X 2-1/4 GR5	8
12	1-654-010061-07	SCREW, HEX HEAD CAP 3/4-10 X 2-1/2 GR5	4
13	1-512-010005-01	NUT, HEX LOCK 1/4-20 GRB	2
14	1-654-010047-06	SCREW, HEX HEAD CAP 1/4-20 X 1 GR5	2
15	1-861-010032-07	WASHER, FLAT 1/4	2

ILLUSTRATED PARTS LIST

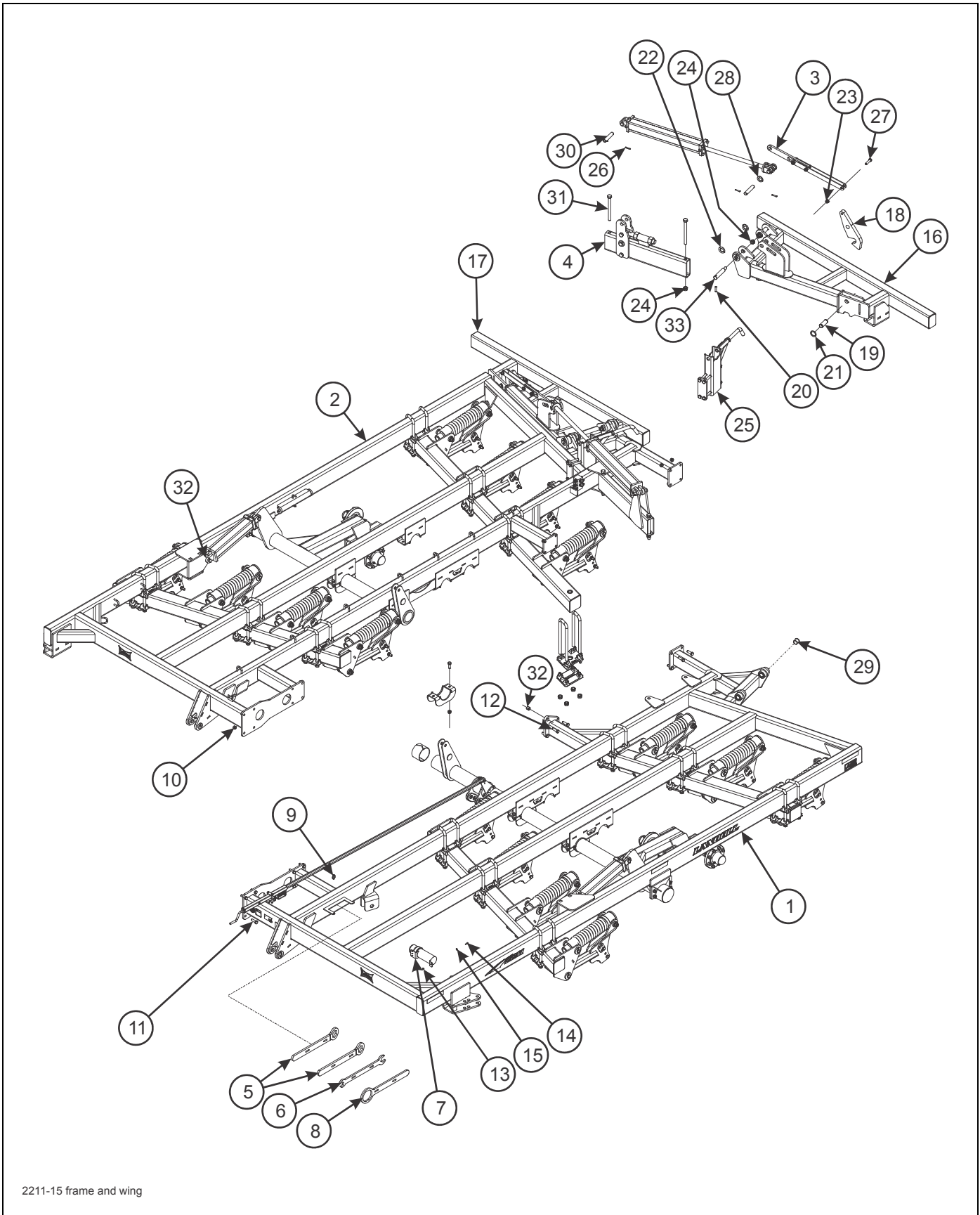
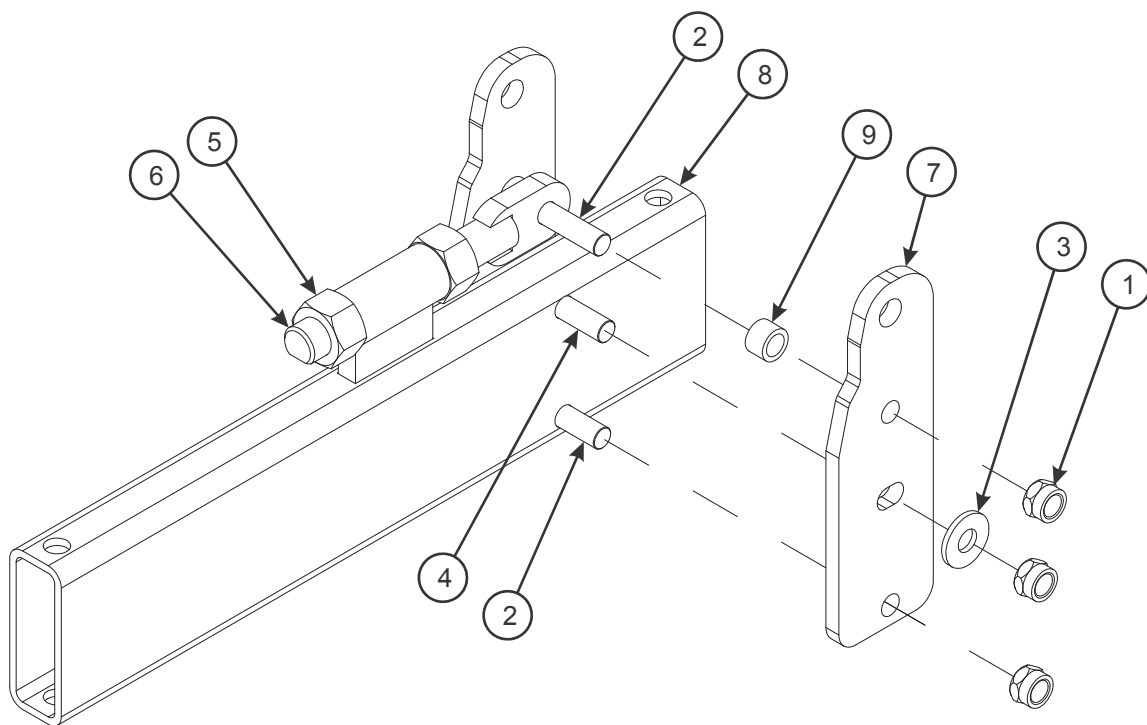


Figure 2-3: Frame and Wing Assembly (2211-13 & -15)

FRAME AND WING ASSEMBLY (2211-13 & -15)

ITEM	PART NO.	DESCRIPTION	QTY.
1	158864	FRAME, LEFT (2211-13 & -15)	1
2	158865	FRAME, RIGHT (2211-13 & -15)	1
3	150298	HOOK LATCH ASSEMBLY (SEE PAGE 2-24)	2
4	174711	FOLD ANCHOR ASSEMBLY (SEE PAGE 2-7)	2
5	140533	GANG WRENCH	2
6	141109	WRENCH, ADJUSTMENT	1
7	142753	MANUAL HOLDER	1
8	147070	WRENCH, COULTER GANG	1
9	70239854	PIN, QUICK HITCH	1
10	1-512-010005-15	NUT, HEX LOCK 3/4-10 GRB	12
11	1-654-010061-06	SCREW, HEX HEAD CAP 3/4-10 X 2-1/4 GR5	8
12	1-654-010061-07	SCREW, HEX HEAD CAP 3/4-10 X 2-1/2 GR5	4
13	1-512-010005-01	NUT, HEX LOCK 1/4-20 GRB	2
14	1-654-010047-06	SCREW, HEX HEAD CAP 1/4-20 X 1 GR5	2
15	1-861-010032-07	WASHER, FLAT 1/4	2
16	160660	WING, LH (2211-13 & -15)	1
17	160661	WING, RH (2211-13 & -15)	1
18	150309	HOOK, WING LATCH	2
19	150310	PIN, WING LATCH	2
20	144115	PIN, GROOVED ALLOY 1/2 X 2-1/4	4
21	HSM0044	SNAP RING	4
22	141266	THRUST WASHER	4
23	1-512-010005-15	NUT, HEX LOCK 3/4-10 GRB	2
24	1-512-010005-19	NUT, HEX LOCK 1-8 GRB	4
25	160651	FOLD LOCK ASSEMBLY, LH (SEE PAGE 2-22)	1
	160662	FOLD LOCK ASSEMBLY, RH (SEE PAGE 2-22)	1
26	1-647-010004240	PIN, SPRING SLOTTED 5/16 X 2-1/2	8
27	1-654-010061-09	SCREW, HEX HEAD CAP 3/4-10 X 3 GR5	2
28	116100	WASHER, FLAT 1-1/4N	4
29	140599	BEARING, FLANGE	8
30	141244	PIN, FOLD	4
31	161131	SCREW, HEX HEAD CAP 1-8 X 11 GR5	6
32	2-150-010008	BUSHING, STEEL 1-1/4 X 1 X 1	1
33	144493	PIN, HITCH	4



m174711

Figure 2-4: Fold Anchor Assembly

FOLD ANCHOR ASSEMBLY

ITEM	PART NO.	DESCRIPTION	QTY.
	174711	FOLD ANCHOR ASSEMBLY	2
1	1-512-010005-19	NUT, HEX LOCK 1-8	3
2	1-654-010065-17	SCREW, HEX HEAD CAP 1-8 X 6 GR5	2
3	1-861-010005	WASHER, SPINDLE 1	2
4	100829	SCREW, HEX HEAD CAP 1-8 X 6-1/2 GR5	1
5	159954	NUT, HEX 1-3/4-5	2
6	159955	ROD, CYLINDER ANCHOR	1
7	174713	ANCHOR, CYLINDER	2
8	174715	MOUNT, ADJUST FOLD	1
9	176934	TUBE, SPACER	2

ILLUSTRATED PARTS LIST

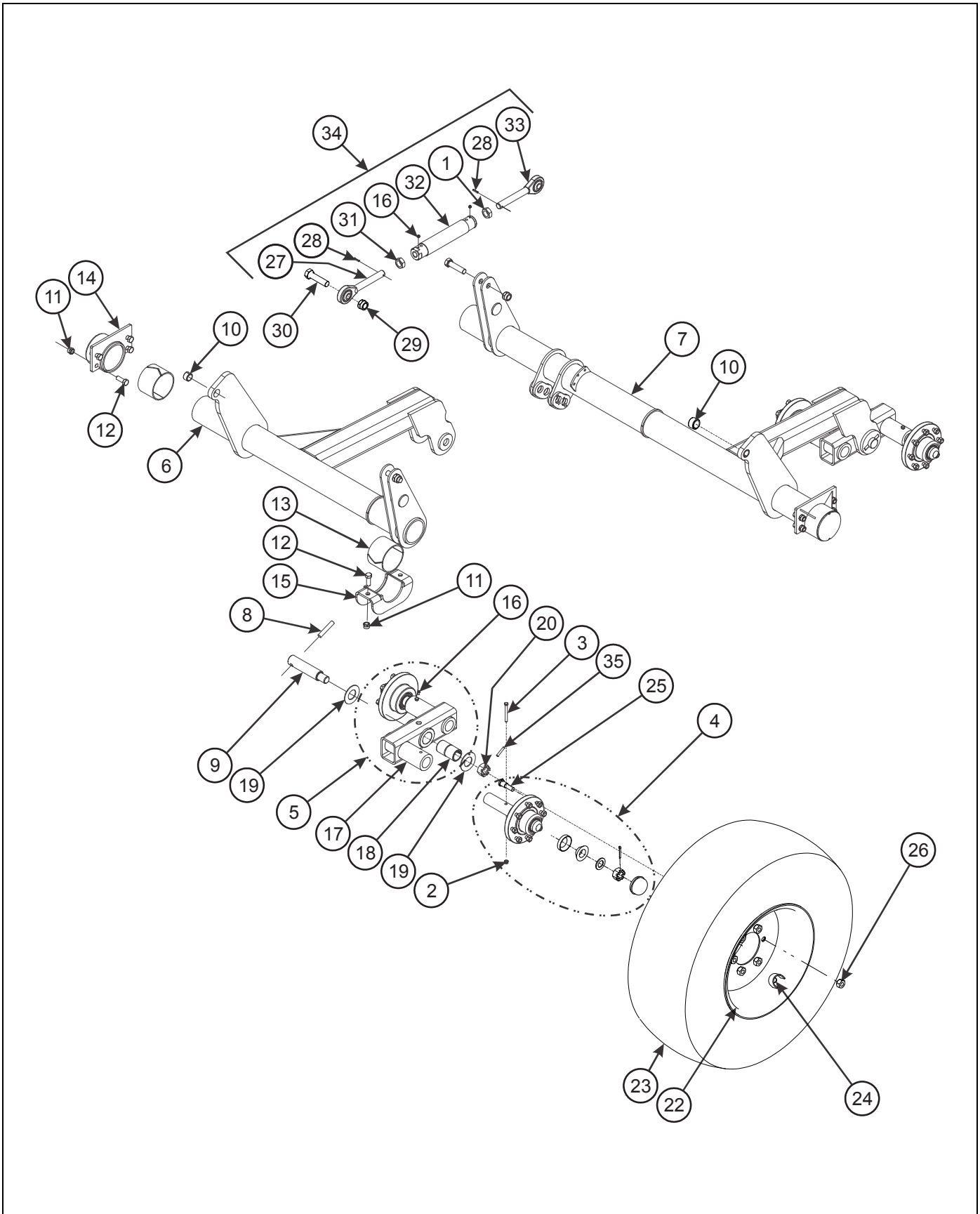
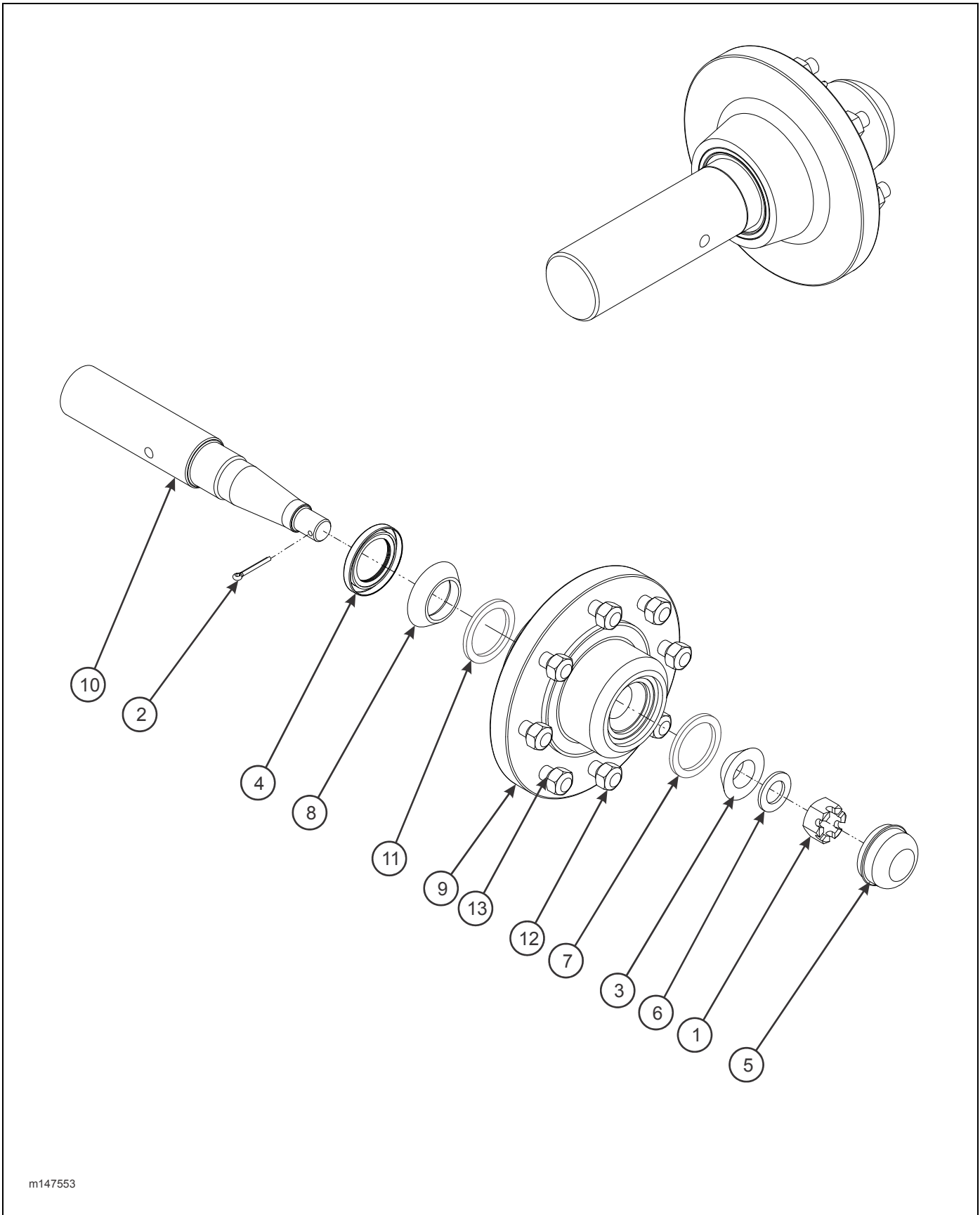


Figure 2-5: Lift Wheel Assembly, Frame (2211-09 & -11)

LIFT WHEEL ASSEMBLY, FRAME (2211-09 & -11)

ITEM	PART NO.	DESCRIPTION	QTY.
1	153803	NUT, HEX JAM 1-1/4-7 LH	
2	101988	NUT, HEX LOCK 7/16-14 GRB	
3	141809	SCREW, HEX HEAD CAP 7/16-14 X 4 GR5	
4	147553	HUB ASSEMBLY, 8 BOLT (SEE PAGE 2-11)	
5	157010	WALKING BEAM ASSEMBLY, 2" (INCL ITEMS 16-18)	
6	160641	LIFT, CENTER RIGHT	
7	160642	LIFT, CENTER LEFT	
8	156992	PIN, WALKING BEAM SPINDLE	
9	157019	SPINDLE, WALKING BEAM	
10	2-150-010174	BUSHING, 1-5/8 X 1-1/4 X 1	
11	1-512-010005-15	NUT, HEX LOCK 3/4-10 GRB	
12	1-654-010061-05	SCREW, HEX HEAD CAP 3/4-10 X 2 GR5	
13	140519	BEARING, UHMW 4"	
14	141209	BEARING CAP, LIFT	
15	141234	BEARING CAP, LIFT	
16	153804	FITTING, GREASE 1/4-28 LONG (PRIOR TO 01/01/2103)	
	171024	FITTING, GREASE 5/16-24 STR (AFTER 01/01/2013)	
17	172962	WALKING BEAM 2-1/4" SPINDLE (ALSO ORDER (2) P/N 171070)	
18	158903	BUSHING, SPRING	
19	160597	WASHER, THRUST 2"(4" OD) (PRIOR TO 01/01/2103)	
	171070	WASHER, THRUST 2" (3-11/16 OD)(AFTER 01/01/2013)	
20	119118	NUT, HEX SLOTTED 1-1/2 - 12	
21	181615	TIRE AND WHEEL ASSEMBLY 340/60R16.5 (INCL ITEMS 22-24)	
22	181616	WHEEL, 15 X 10 8/8 LB.	
23	181617	TIRE 340/60R 16.5, IMP	
24	TR575	VALVE STEM - TUBELESS TIRE	
25	143067	STUD BOLT 8 BOLT	
26	102600	LUG NUT	
27	2-654-010098	SCREW, RH RADIUS ROD	
28	0600-250-01250	ROLL PIN 1/4 X 1-1/4	
29	1-512-010005-19	NUT, HEX LOCK 1-8	
30	1-654-010065-13	SCREW, HEX HEAD CAP 1-8 X 4 GR5	
31	100823	NUT, HEX JAM 1-1/4-7 GRB	
32	155531	RADIUS ROD WELDMENT	
33	2-654-010097	SCREW, LH RADIUS ROD	
34	155533	LIFT RADIUS ROD ASSEMBLY (INCL. ITEMS 16, 27-28, 31-33)	
35	127712	PIN, SPRING SLOTTED 3/8 X 2-1/4	



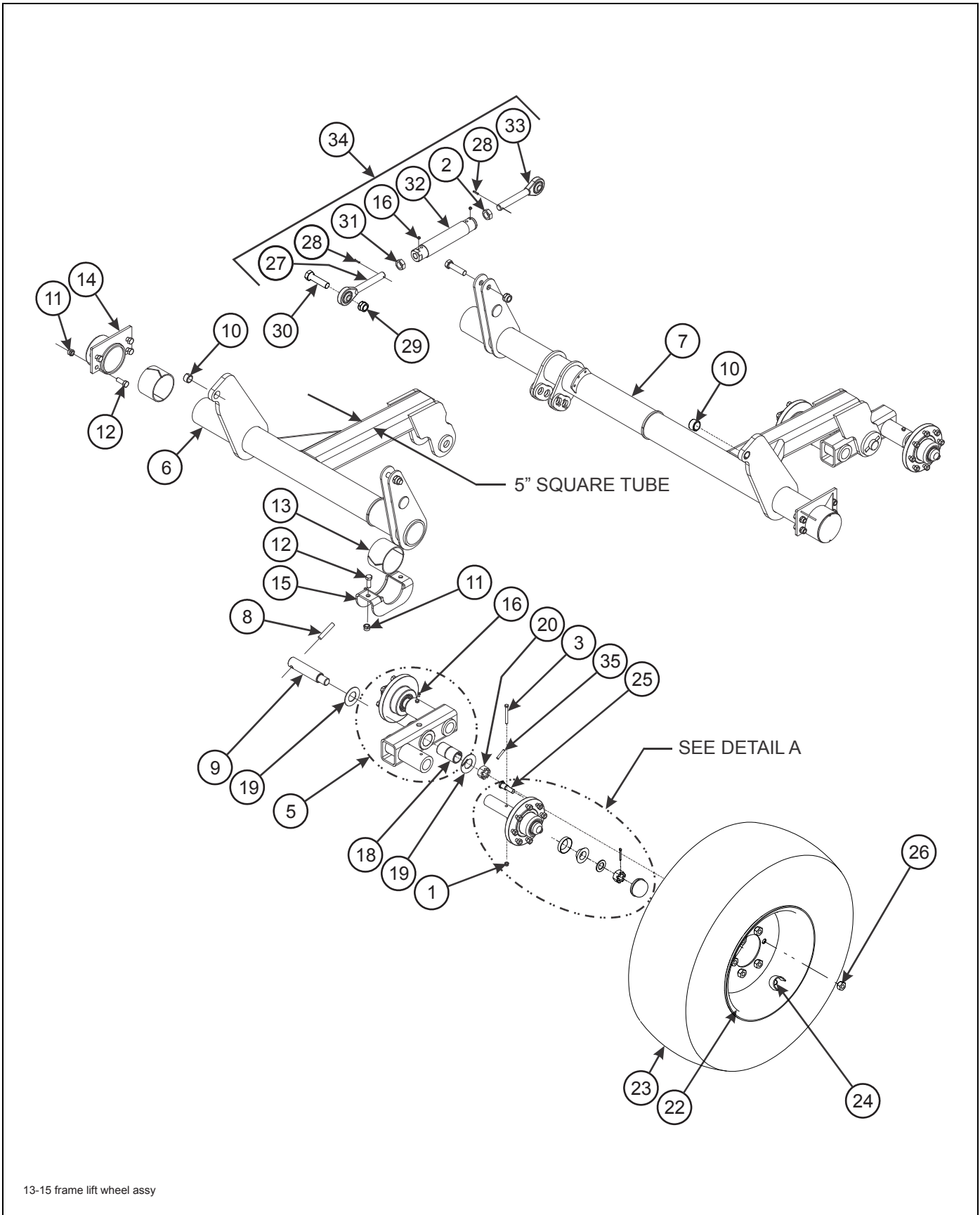
m147553

Figure 2-6: Hub and Spindle Assembly, 8-Bolt

HUB AND SPINDLE ASSEMBLY, 8 BOLT

ITEM	PART NO.	DESCRIPTION	QTY.
	147553	HUB AND SPINDLE ASSEMBLY, 8 BOLT	
1	1-516-010001-20	NUT, HEX SLOT 1-14	1
2	1-557-010362-51	PIN, COTTER 3/16 X 1-1/2	1
3	1-076-010007	CONE, OUTER BEARING	1
4	140554	SEAL, GREASE	1
5	141236	DUST CAP, WHEEL HUB	1
6	141238	WASHER, SPINDLE	1
7	1-076-010010	BEARING CUP	1
8	140595	CONE, BEARING	1
9	140646	HUB W/ CUPS 8 BOLT (INCL ITEMS 7 & 11)	1
10	141198	SPINDLE 2-1/4"	1
11	140594	CUP, BEARING INNER	1
12	102600	LUG NUT (8 BOLT)	8
13	143067	WHEEL STUD (8 BOLT)	8
	141867	HUB ASSEMBLY, 8 BOLT (INCL. ITEMS 3-5, 8-9)	

ILLUSTRATED PARTS LIST

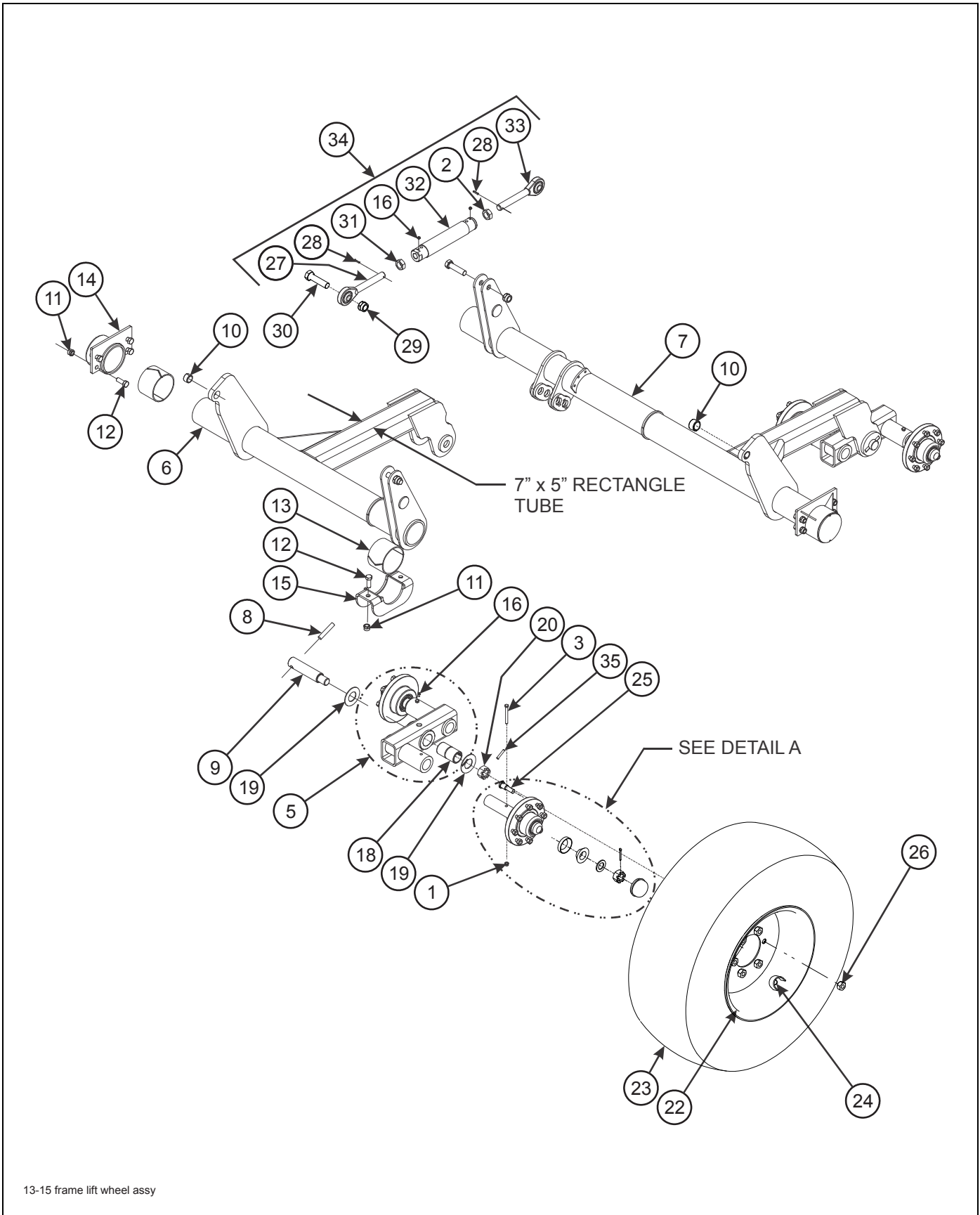


**Figure 2-7: Lift Wheel Assembly, Frame (2211-13 & -15)
(S/N 22L1000178 and Before January, 2011)**

LIFT WHEEL ASSEMBLY, FRAME (2211-13 & -15) (USED ON S/N 22L1000178 AND BEFORE JANUARY, 2011)

ITEM	PART NO.	DESCRIPTION	QTY.
1	101988	NUT, HEX LOCK 7/16-14 GRB	
2	153803	NUT, HEX JAM 1-1/4-7 LH	
3	141809	SCREW, HEX HEAD CAP 7/16-14 X 4 GR5	
4	156972	HUB AND SPINDLE ASSEMBLY, 8 BOLT (SEE PAGE 2-17)	
5	172961	WALKING BEAM ASSEMBLY, 3" (INCL ITEMS 16-18), ALSO ORDER 2 OF P/N 171070 (AFTER 01/01/2013)	
6	160643	LIFT, CENTER RIGHT	
7	160644	LIFT, CENTER LEFT	
8	156992	PIN, WALKING BEAM SPINDLE	
9	157019	SPINDLE, WALKING BEAM	
10	2-150-010174	BUSHING, 1-5/8 X 1-1/4 X 1	
11	1-512-010005-15	NUT, HEX LOCK 3/4-10 GRB	
12	1-654-010061-05	SCREW, HEX HEAD CAP 3/4-10 X 2 GR5	
13	140519	BEARING, UHMW 4"	
14	141209	BEARING CAP, LIFT	
15	141234	BEARING CAP, LIFT	
16	153804	FITTING, GREASE 1/4-28 LONG (PRIOR TO 01/01/2103)	
	171024	FITTING, GREASE 5/16-24 STR (AFTER 01/01/2013)	
17	127712	PIN, SPRING SLOTTED 3/8 X 2-1/4	
18	158903	BUSHING, SPRING	
19	160597	WASHER, THRUST 2"(4" OD) (PRIOR TO 01/01/2103)	
	171070	WASHER, THRUST 2" (3-11/16 OD)(AFTER 01/01/2013)	
20	119118	NUT, HEX SLOTTED 1-1/2 - 12	
21	156952	TIRE AND WHEEL ASSEMBLY 12.5L X 15HD (INCL ITEMS 22-24)	
22	160152	WHEEL, 15 X 10 8/8 LB.	
23	160149	TIRE 12.5L X 15 LOAD RANGE F	
24	TR416	VALVE STEM	
25	4001060	HUB 75-8 BOLT, 5/8-18 STUD (8 BOLT)	
26	102600	NUT, WHEEL BOLT 5/8	
27	2-654-010098	SCREW, RH RADIUS ROD	
28	0600-250-01250	ROLL PIN 1/4 X 1-1/4	
29	1-512-010005-19	NUT, HEX LOCK 1-8	
30	1-654-010065-13	SCREW, HEX HEAD CAP 1-8 X 4 GR5	
31	100823	NUT, HEX JAM 1-1/4-7 GRB	
32	155531	RADIUS ROD WELDMENT	
33	2-654-010097	SCREW, LH RADIUS ROD	
34	155533	LIFT RADIUS ROD ASSEMBLY (INCL. ITEMS 16, 27-28, 31-33)	

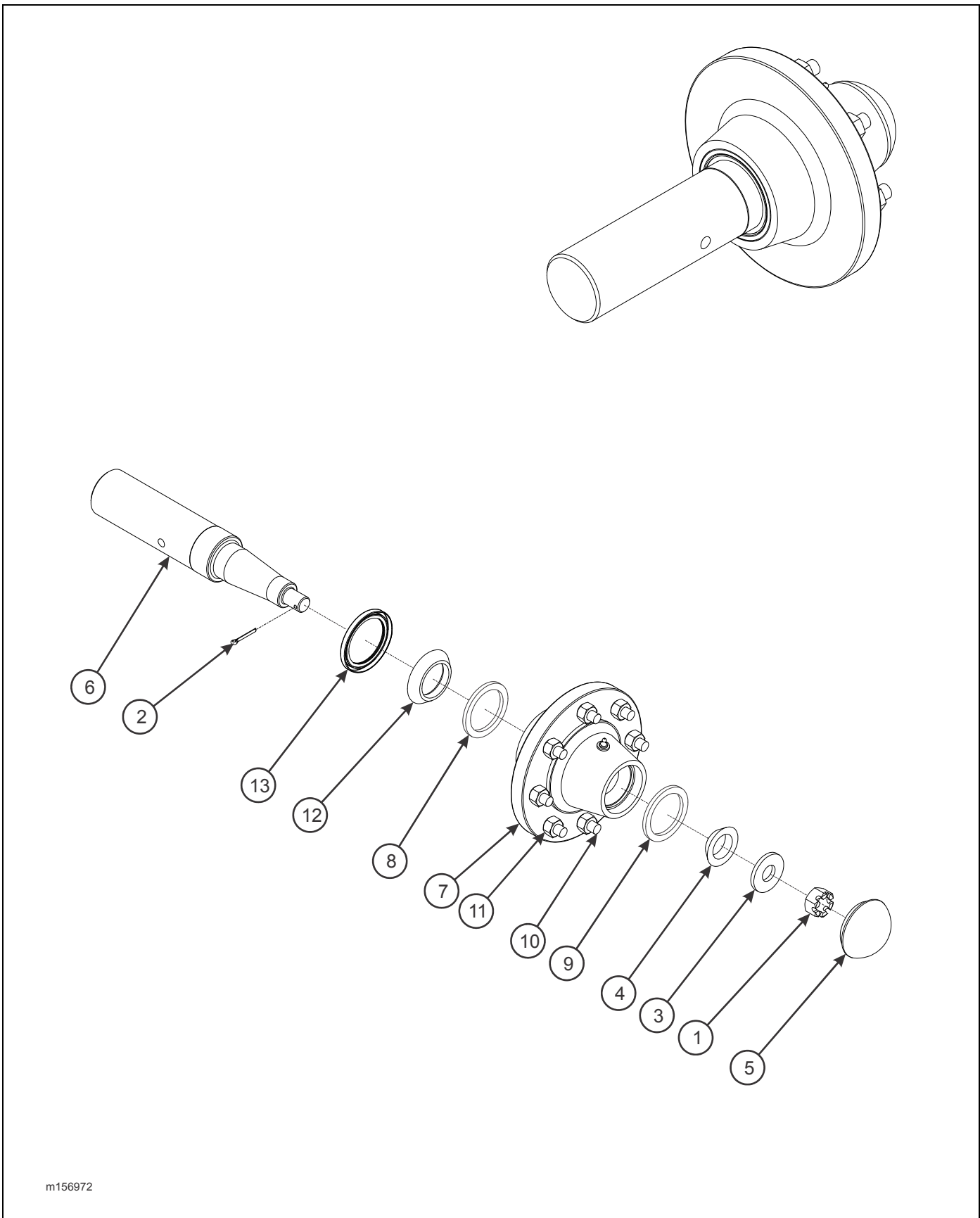
ILLUSTRATED PARTS LIST



**Figure 2-8: Lift Wheel Assembly, Frame (2211-13 & -15)
(S/N 22L1000179 and After January, 2011)**

LIFT WHEEL ASSEMBLY, FRAME (2211-13 & -15) (USED ON S/N 22L1000179 AND AFTER JANUARY, 2011)

ITEM	PART NO.	DESCRIPTION	QTY.
1	101988	NUT, HEX LOCK 7/16-14 GRB	
2	153803	NUT, HEX JAM 1-1/4-7 LH	
3	141809	SCREW, HEX HEAD CAP 7/16-14 X 4 GR5	
4	156972	HUB AND SPINDLE ASSEMBLY, 8 BOLT (SEE PAGE 2-17)	
5	174688	WALKING BEAM ASSEMBLY, 3" (INCL ITEMS 16-18) ALSO ORDER 2 OF P/N 164563 (AFTER 01/01/2013)	
6	165240	LIFT, CENTER RIGHT	
7	165241	LIFT, CENTER LEFT	
8	156992	PIN, WALKING BEAM SPINDLE	
9	156991	SPINDLE, WALKING BEAM	
10	2-150-010174	BUSHING, 1-5/8 X 1-1/4 X 1	
11	1-512-010005-15	NUT, HEX LOCK 3/4-10 GRB	
12	1-654-010061-05	SCREW, HEX HEAD CAP 3/4-10 X 2 GR5	
13	140519	BEARING, UHMW 4"	
14	141209	BEARING CAP, LIFT	
15	141234	BEARING CAP, LIFT	
16	153804	FITTING, GREASE 1/4-28 LONG (PRIOR TO 01/01/2103)	
	171024	FITTING, GREASE 5/16-24 STR (AFTER 01/01/2013)	
17	127712	PIN, SPRING SLOTTED 3/8 X 2-1/4	
18	158904	BUSHING, SPRING 3 x 2-1/2 x 6-5/8	
19	158911	WASHER, THRUST 2-1/2"(4-1/2" OD) (PRIOR TO 01/01/2103)	
	164563	WASHER, THRUST 2-1/2" (4-3/16" OD)(AFTER 01/01/2013)	
20	119118	NUT, HEX SLOTTED 1-1/2 - 12	
21	165235	TIRE AND WHEEL ASSEMBLY (INCL ITEMS 22-24)	
22	157001	WHEEL, 8 BOLT	
23	165236	TIRE, 380/55R 16.5 IMP	
24	TR575	VALVE STEM, TUBELESS TIRE	
25	4001060	HUB 75-8 BOLT, 5/8-18 STUD (8 BOLT)	
26	102600	NUT, WHEEL BOLT 5/8	
27	2-654-010098	SCREW, RH RADIUS ROD	
28	0600-250-01250	ROLL PIN 1/4 X 1-1/4	
29	1-512-010005-19	NUT, HEX LOCK 1-8	
30	1-654-010065-13	SCREW, HEX HEAD CAP 1-8 X 4 GR5	
31	100823	NUT, HEX JAM 1-1/4-7 GRB	
32	155531	RADIUS ROD WELDMENT	
33	2-654-010097	SCREW, LH RADIUS ROD	
34	155533	LIFT RADIUS ROD ASSEMBLY (INCL. ITEMS 16, 27-28, 31-33)	



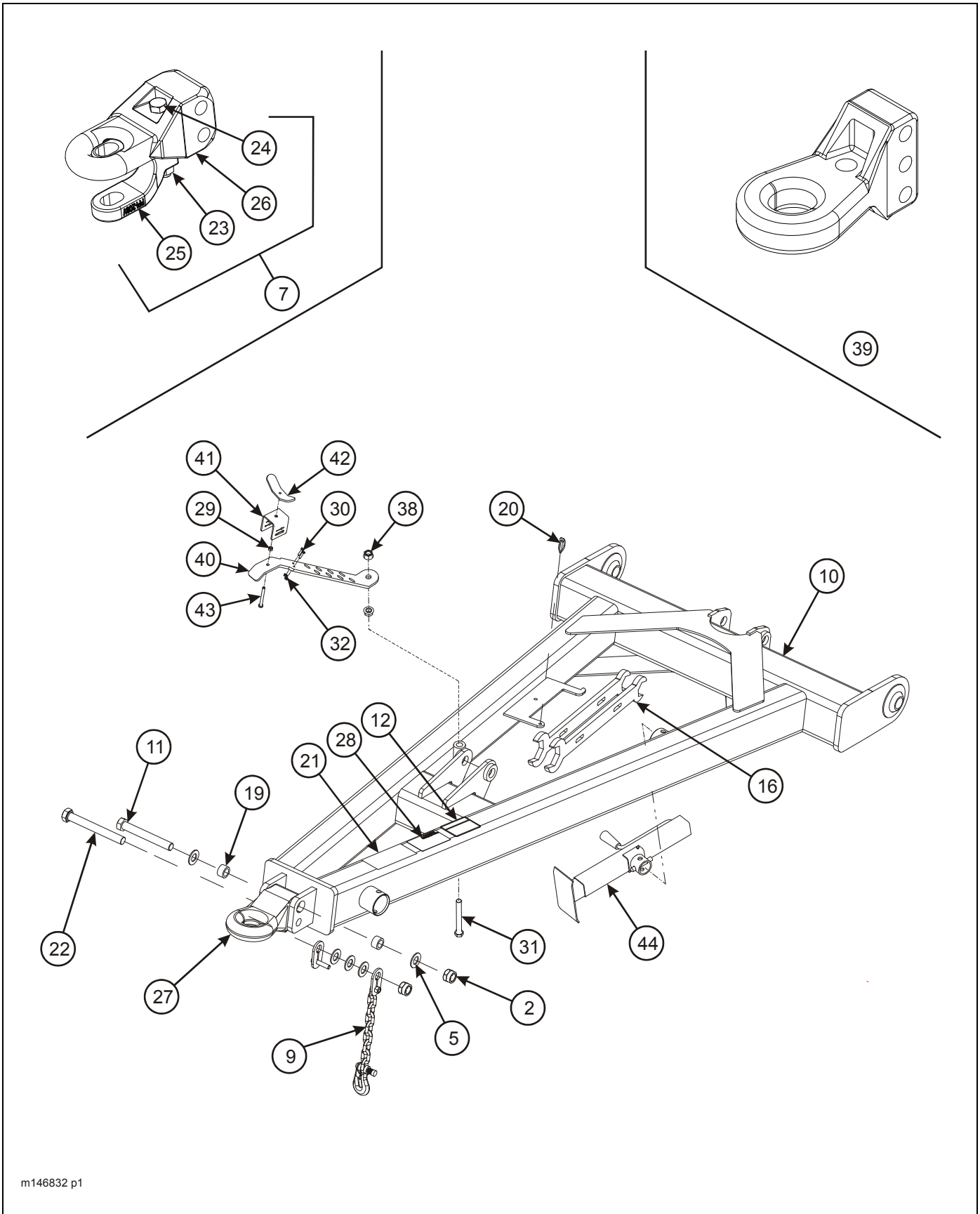
m156972

Figure 2-9: Hub and Spindle Assembly, 8-Bolt

HUB AND SPINDLE ASSEMBLY, 8 BOLT

ITEM	PART NO.	DESCRIPTION	QTY.
	156972	HUB AND SPINDLE ASSEMBLY, 8 BOLT	
1	1-516-010001-20	NUT, HEX SLOT 1-14	1
2	1-557-010362-51	PIN, COTTER 3/16 X 1-1/2	1
3	1-861-010005	WASHER, SPINDLE 1	1
4	102498	BEARING CONE, OUTER1.625	1
5	102601	HUB CAP, 8 BOLT	1
6	156973	SPINDLE, 3 X 16-1/2	1
7	156974	HUB W/ CUPS, 8 BOLT 7500 LBS. (INCL. ITEMS 8 - 11)	1
8	111962	INNER CUP	1
9	102604	OUTER CUP	1
10	4001060	HUB 75-8 BOLT 5/8-18 STUD	8
11	102600	NUT	8
12	156979	CONE BEARING	1
13	159970	SEAL, TRIPLE LIP 4OD X 3ID X 3/8	1
	168859	HUB ASSEMBLY, 8 BOLT (INCL. ITEMS 4-5, 7, 12-13)	

ILLUSTRATED PARTS LIST



m146832.p1

Figure 2-10: Hitch and Leveling Linkage Assembly (1 of 2)

ILLUSTRATED PARTS LIST

HITCH AND LEVELING LINKAGE ASSEMBLY

ITEM	PART NO.	DESCRIPTION	QTY.
	146822	HITCH ASSEMBLY, CAT III	
	146832	HITCH ASSEMBLY, CAT IV	
	156946	HITCH ASSEMBLY, CAT V	
1	1-298-010001-1	ZERK FITTING 1/4	
2	1-512-010005-19	NUT HEX LOCK 1-8 GRB	
3	1-512-010007-16	NUT, HEX 1-1/4-7	
4	1-654-010123-01	SCREW, HEX HEAD CAP 1-1/4-7 X 8 GR8	
5	1-861-010032-24	WASHER, FLAT 1N	
6	100825	WASHER, SPLIT LOCK 1-1/4	
7	100844	HITCH AND CLEVIS, CAT III (INCL ITEMS 23-26)	
8	103-0805	PIN, ROLL 1/4 X 1-3/4	
9	141434	SAFETY CHAIN	
	156950	SAFETY CHAIN, 41,000 LB	
10	144473	HITCH WELDMENT	
11	153696	BOLT, HITCH CLEVIS	
12	155523	DECAL, HOSE IDENTIFICATION	
13	155534	RH SCREW ASSEMBLY, RADIUS ROD	
14	155536	LH SCREW ASSEMBLY, RADIUS ROD	
15	155538	RADIUS ROD, HITCH	
16	155564	WRENCH ADJUSTMENT	
17	155716	NUT, HEX JAM 1-3/4-5 GRB	
18	155717	NUT, HEX JAM 1-3/4-5 LH GRB	
19	2-150-010228	BUSHING, HITCH	
20	70239854	PIN, QUICK HITCH	
21	8-573-010084	DECAL WARNING BEFORE OPERATING	
22	1-654-010125-22	SCREW, HEX HEAD CAP 1-8 X 8-1/2 GR8	
23	1-512-010008-12	NUT, HEX 3/4-16 GRB	
24	1-654-010087-16	SCREW, HEX HEAD CAP 3/4-16 X 5-1/2 GR8	
25	100214	HITCH, CLEVIS	
26	2-375-010601	HITCH, RING, CAT III	
27	2-375-010602	HITCH RING, CAT IV	
28	141597	DECAL, DANGER ELECTROCUTION	
29	1-512-010007-07	NUT, HEX 3/8-16	
30	1-654-010047-06	SCREW, HEX HEAD CAP 1/4-20 X 1 GR5	
31	1-654-010061-19	SCREW, HEX HEAD CAP 3/4-10 X 7 GR5	
32	1-512-010005-01	NUT, HEX LOCK 1/4-20 GRB	
33	100808	SCREW, HEX HEAD CAP 1-1/4-7 X 9-1/2 GR8	
34	144115	PIN, GROOVED ALLOY 1/2 X 2-1/4	
35	144493	PIN, HITCH	
36	145190	TOWER, LEVELER	
37	1-512-010005-05	NUT, HEX LOCK 3/8-16 GRB (NOT SHOWN)	
38	103841	NUT, FLANGE PREVAILING TORQUE 3/4-10	
39	156949	HITCH, RING CAT V	
40	141246	BRACKET, HOSE HOLDER	
41	141247	CLAMP, HOSE HOLDER	
42	141249	WING NUT, HOSE HOLDER	
43	141807	SCREW, ALL THREAD 3/8-16 X 3-1/2	
44	140647	JACK, SIDEWIND 7,000 LB (SEE PAGE 2-25)	

HITCH AND LEVELING LINKAGE ASSEMBLY

ITEM	PART NO.	DESCRIPTION	QTY.
45	2-181-010001	HOSE CLAMP (NOT SHOWN)	
46	158797	LEVELER ASSEMBLY (SEE PAGE 2-27)	
47	116100	WASHER, FLAT 1-1/4N	

ILLUSTRATED PARTS LIST

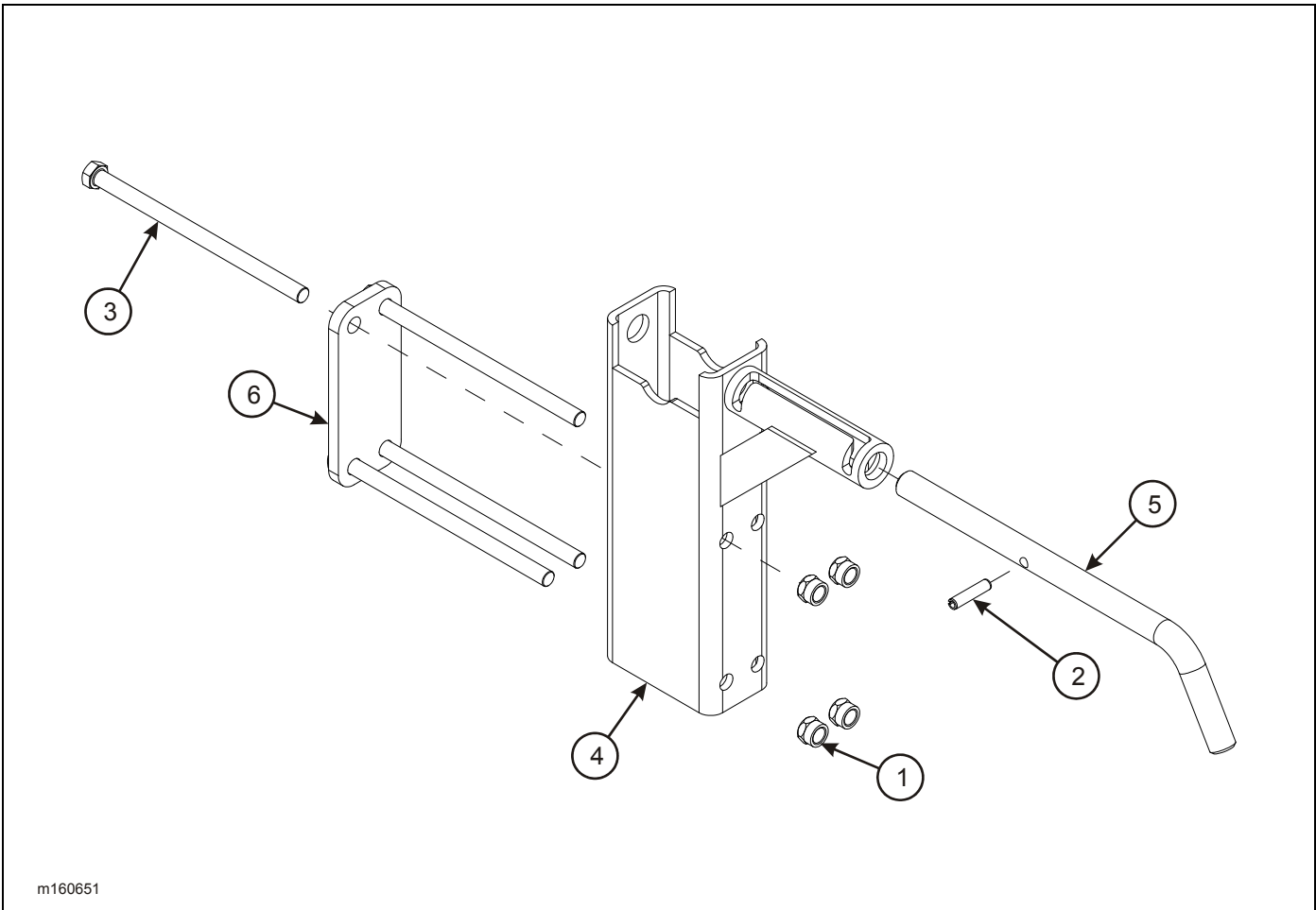


Figure 2-12: Fold Lock Assembly

FOLD LOCK ASSEMBLY

ITEM	PART NO.	DESCRIPTION	QTY.
	160651	FOLD LOCK ASSEMBLY, LH	
	160662	FOLD LOCK ASSEMBLY, RH	
1	1-512-010005-15	NUT, HEX LOCK 3/4-10 GRB	4
2	141251	SPRING PIN, SLOTTED 1/2 X 2-1/4	1
3	155344	SCREW, HEX HEAD CAP 3/4-10 X 13 GR5	4
4	160652	LOCK, FOLD - LH	1
	160663	LOCK, FOLD - RH (NOT SHOWN)	1
5	160656	PIN, WING LOCK	1
6	160657	PLATE, MOUNT	1

ILLUSTRATED PARTS LIST

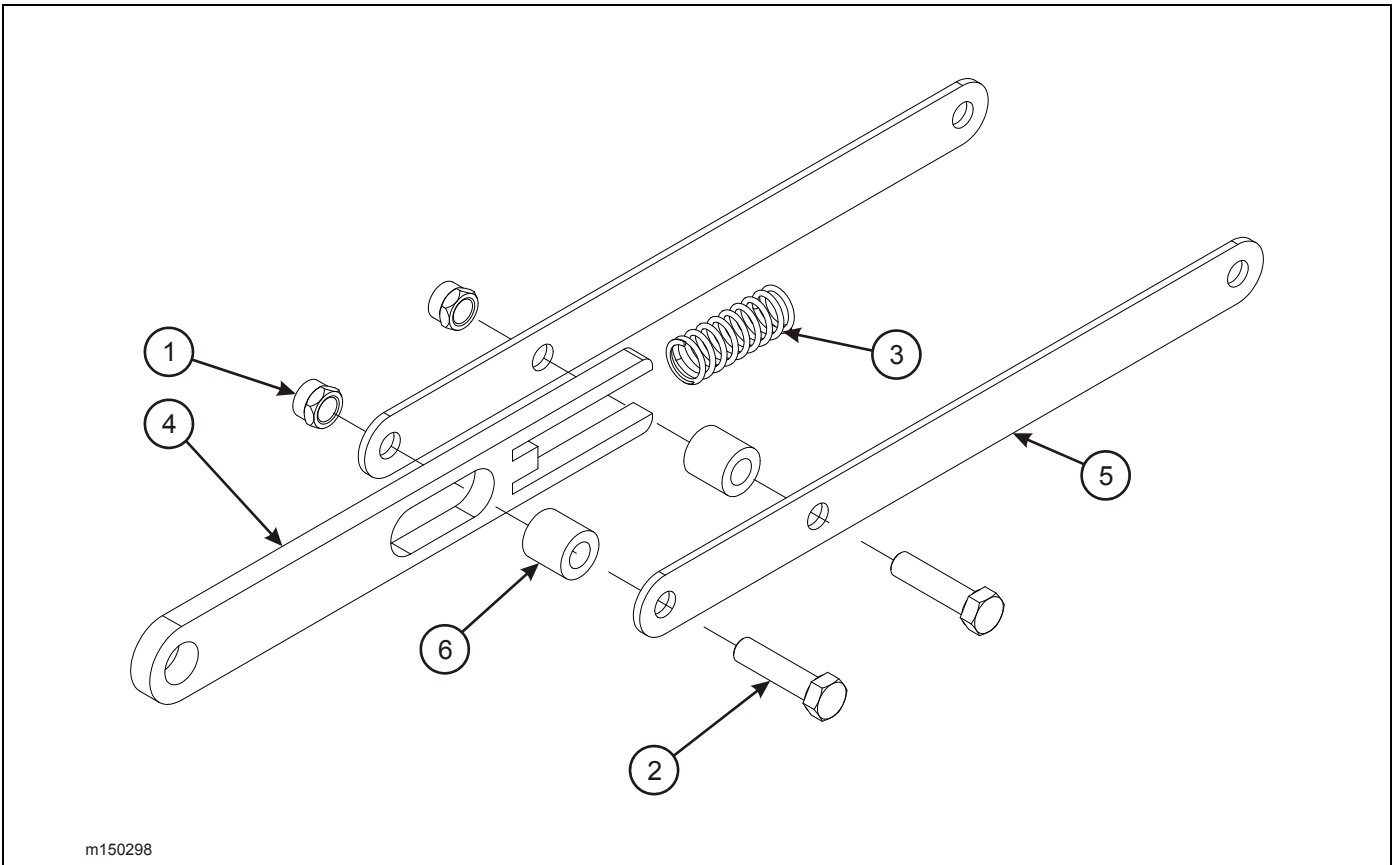


Figure 2-14: Hook Latch Assembly

HOOK LATCH ASSEMBLY

ITEM	PART NO.	DESCRIPTION	QTY.
	150298	HOOK LATCH ASSEMBLY	
1	1-512-010005-15	NUT, HEX LOCK 3/4-10 GRB	2
2	1-654-010061-09	SCREW, HEX HEAD CAP 3/4-10 X 3 GR5	2
3	122917	SPRING, COMPRESSION 4-1/2	1
4	150296	PLATE, HOOK SLIDE	1
5	150297	PLATE, HOOK LATCH	2
6	150299	BUSHING, CLAMP 1-1/2	2

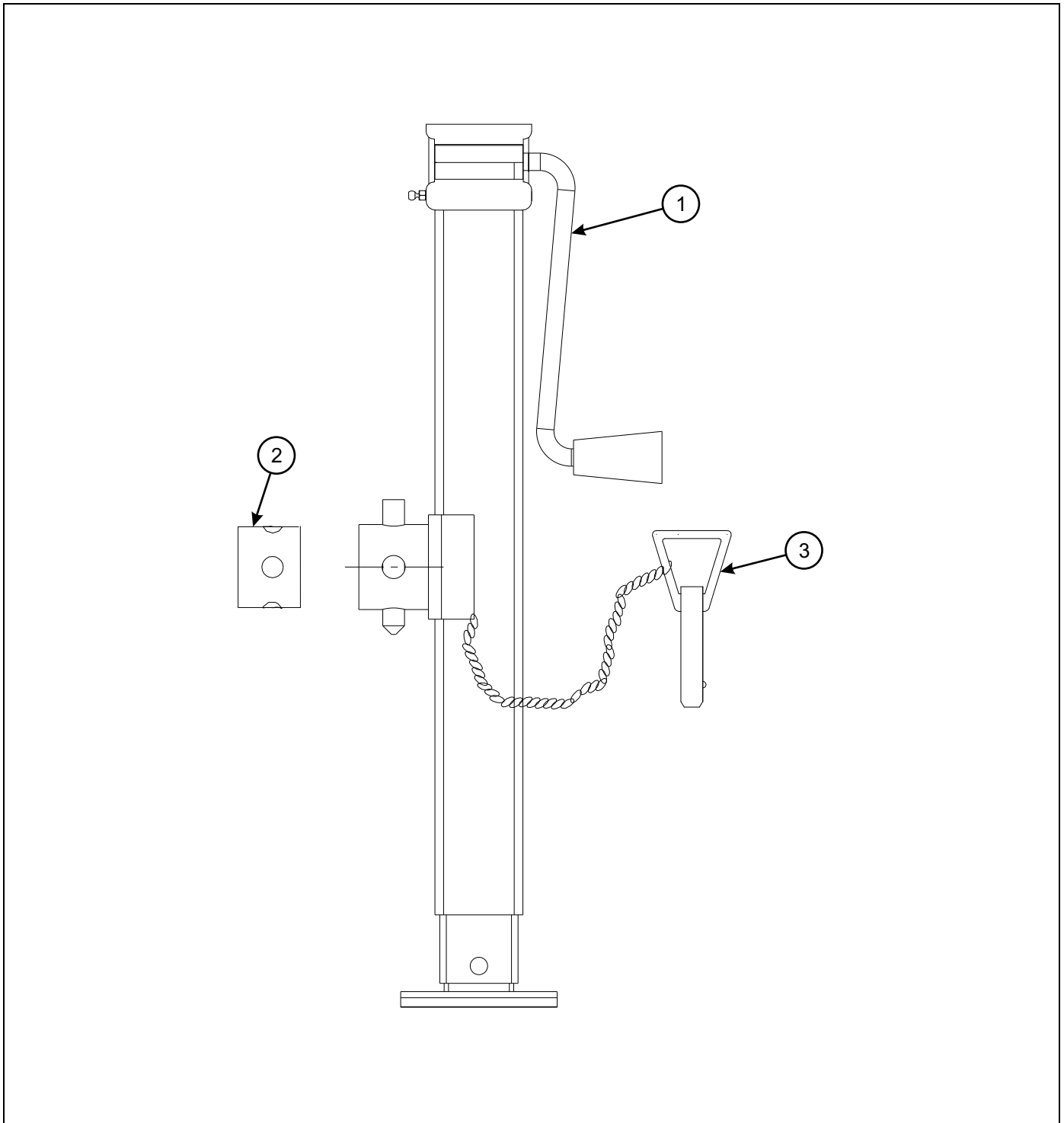
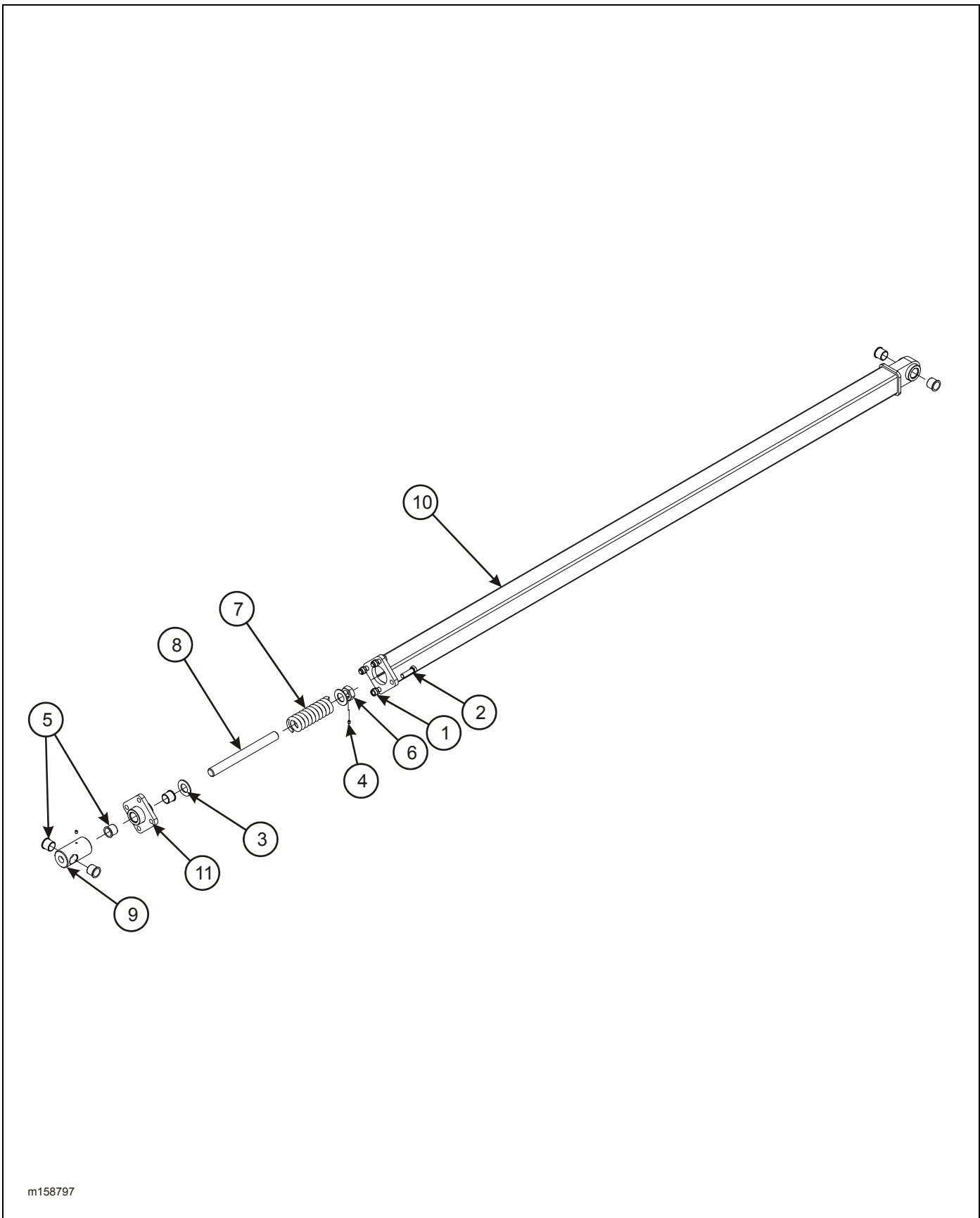


Figure 2-15: 7,000 Lb. Sidewind Jack Assembly

7,000 Lb. Sidewind Jack Assembly

ITEM	PART NO.	DESCRIPTION	QTY.
	140647	JACK, SIDEWIND 7000LB	
1	500171	HANDLE FOR JACK	1
2	142194	5/8" PIN	1
3	141250	TUBE, RD, JACK MOUNT	1

ILLUSTRATED PARTS LIST



m158797

Figure 2-16: Leveler Assembly

LEVELER ASSEMBLY

ITEM	PART NO.	DESCRIPTION	QTY.
	158797	LEVELER ASSEMBLY	
1	1-512-010005-15	NUT, HEX LOCK 3/4-10 GRB	2
2	1-654-010061-07	SCREW, HEX HEAD CAP 3/4-10 X 2-1/2 GR5	2
3	1-861-010032-32	WASHER, FLAT 1-1/2N	2
4	122709	SCREW, SET HEX SOCKET CUP POINT 3/8-16 X 1/2	2
5	140599	BEARING, FLANGE 1-1/2	6
6	140610	NUT, HEX JAM W/O SET SCREW	1
7	140649	SPRING, LEVELER	1
8	149581	ROD, LEVELER SCREW	1
9	149582	PIVOT BLOCK, LEVELER TUBE	1
10	158798	LEVELER TUBE	1
11	158803	SLIDE, LEVELER	1

ILLUSTRATED PARTS LIST

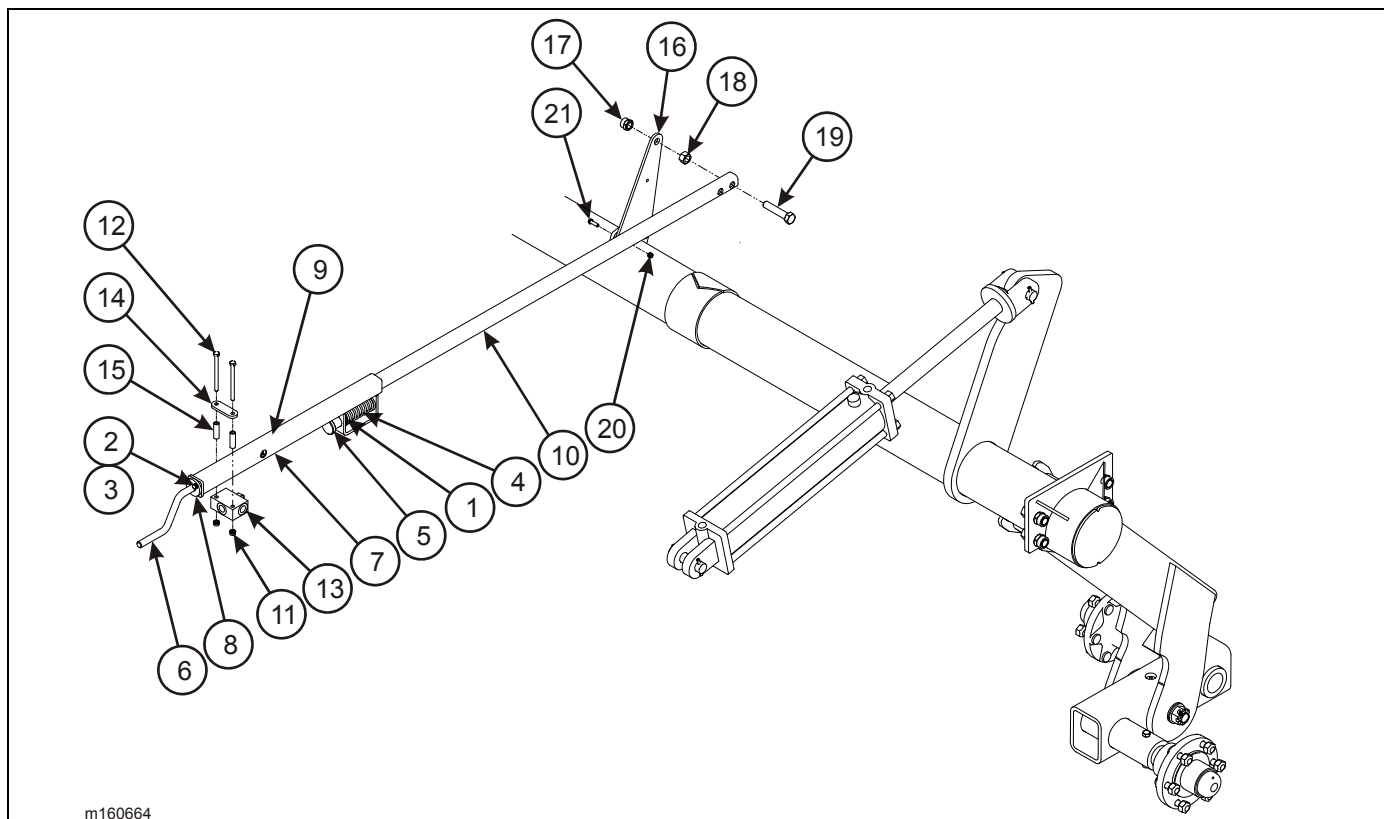


Figure 2-17: Depth Stop Tube Assembly

DEPTH STOP TUBE ASSEMBLY

ITEM	PART NO.	DESCRIPTION	QTY.
	160664	DEPTH STOP TUBE ASSEMBLY (ITEMS 1-10)	1
1	1-647-010004217	SPRING PIN, SLOTTED 1/4 X 1-1/2	1
2	1-654-010047-04	SCREW, HEX HEAD CAP 1/4-20 X 3/4 GR5	1
3	1-861-010034-09	WASHER, SPLIT LOCK 1/4	1
4	122917	SPRING, COMPRESSION 4-1/2	1
5	141213	PIN, DEPTH STOP	1
6	141217	HANDLE, DEPTH STOP	1
7	141222	TUBE, DEPTH STOP	1
8	141223	WASHER, DEPTH STOP	1
9	141262	DECAL, DEPTH STOP INDICATOR	1
10	160665	TUBE, DEPTH STOP 132	1
11	1-512-010005-03	NUT, HEX LOCK 5/16-18 GRB	2
12	123579	SCREW, HEX HEAD CAP 5/16-18 X 4	2
13	140693	LIMIT VALVE	REF
14	141224	PLATE, DEPTH STOP	1
15	141225	SPACER, DEPTH STOP	2
16	141227	PLATE, DEPTH STOP MOUNT	1
17	1-512-010005-13	NUT, HEX LOCK 5/8-11 GRB	1
18	1-512-010007-11	NUT, HEX 5/8-11 GRB	1
19	1-654-010059-09	SCREW, HEX HEAD CAP 5/8-11 X 3 GR5	1
20	1-512-010005-05	NUT, HEX LOCK 3/8-16 GRB	2
21	1-654-010051-06	SCREW, HEX HEAD CAP 3/8-16 X 1-1/4 GR5	2

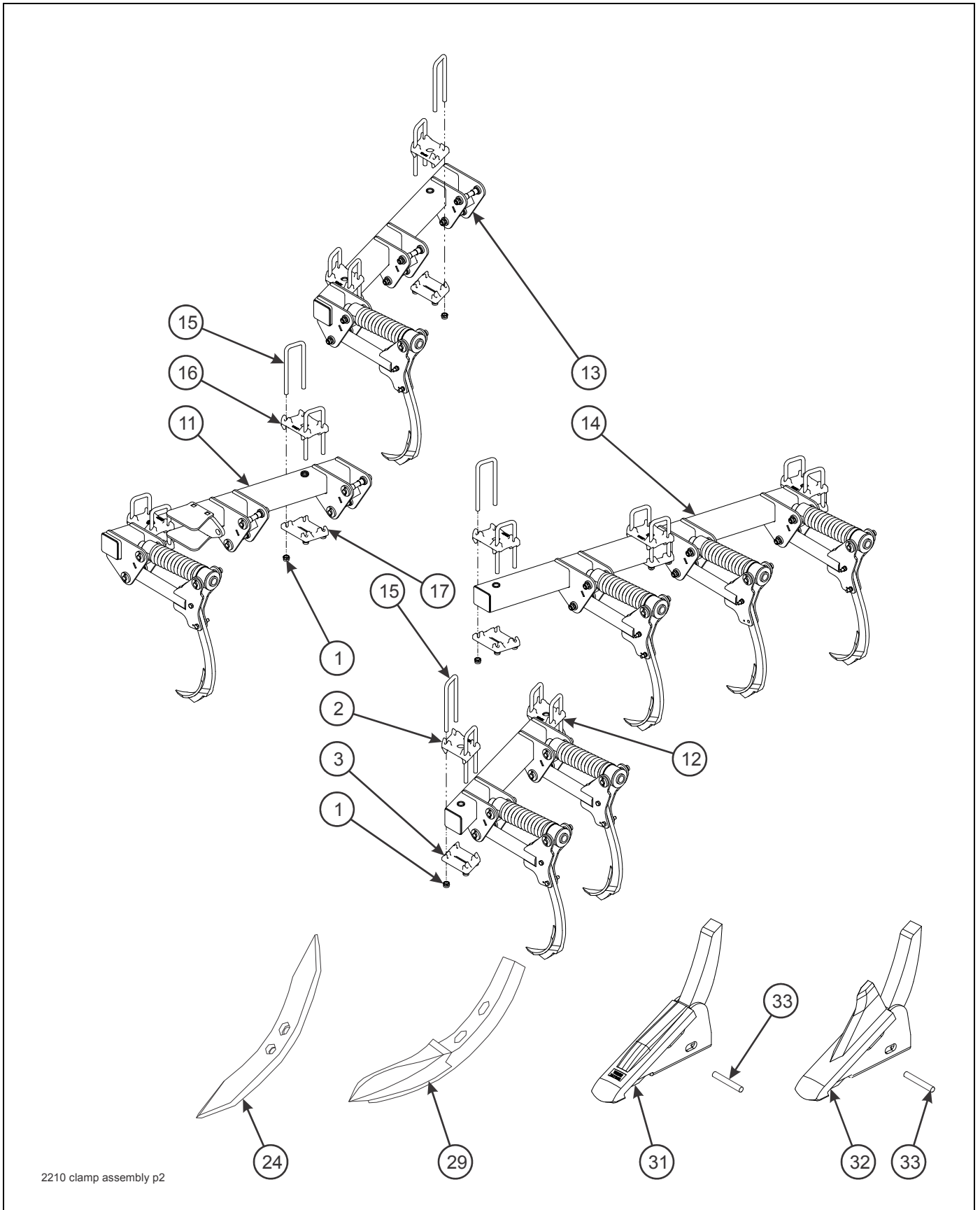
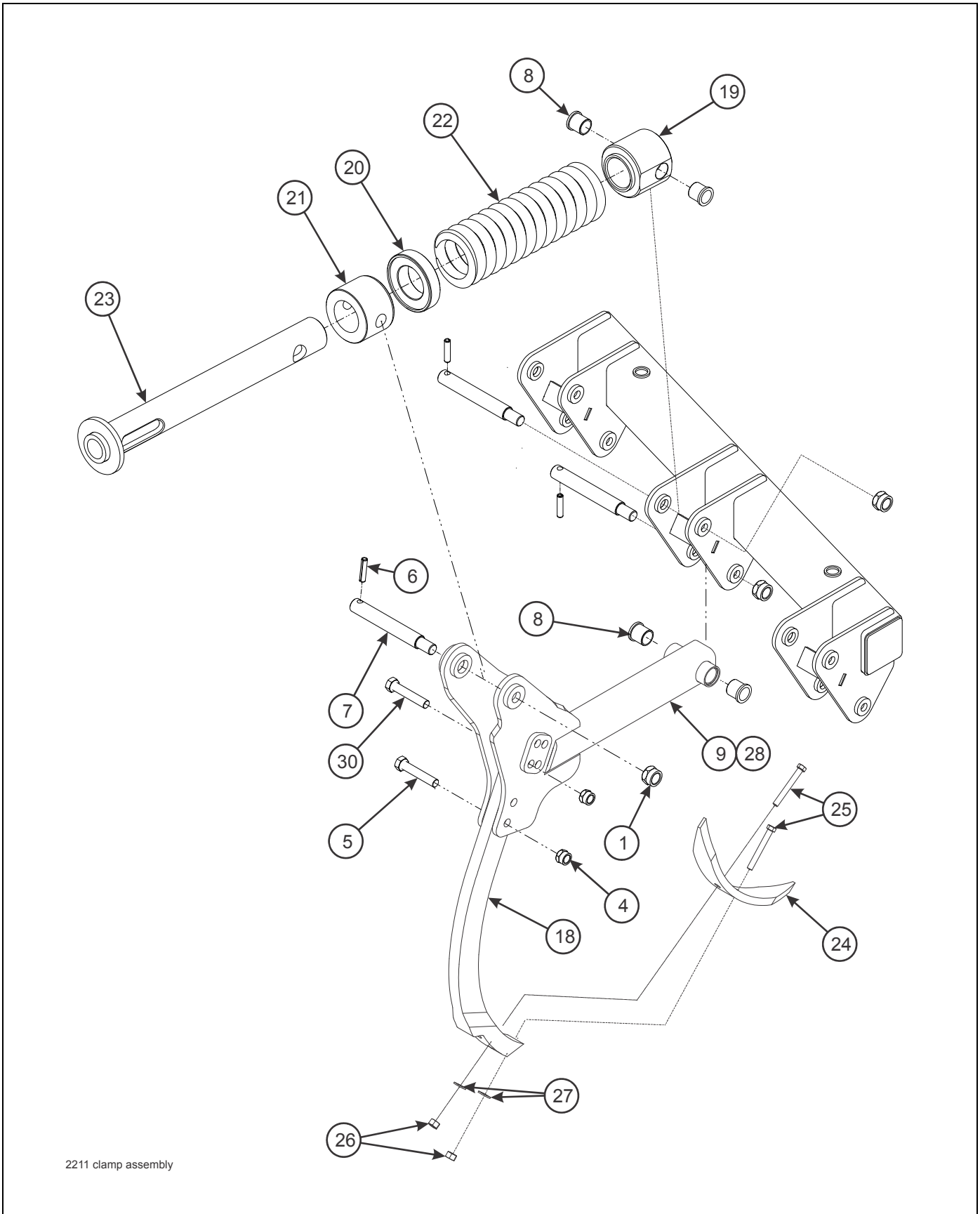


Figure 2-18: Clamp Assembly



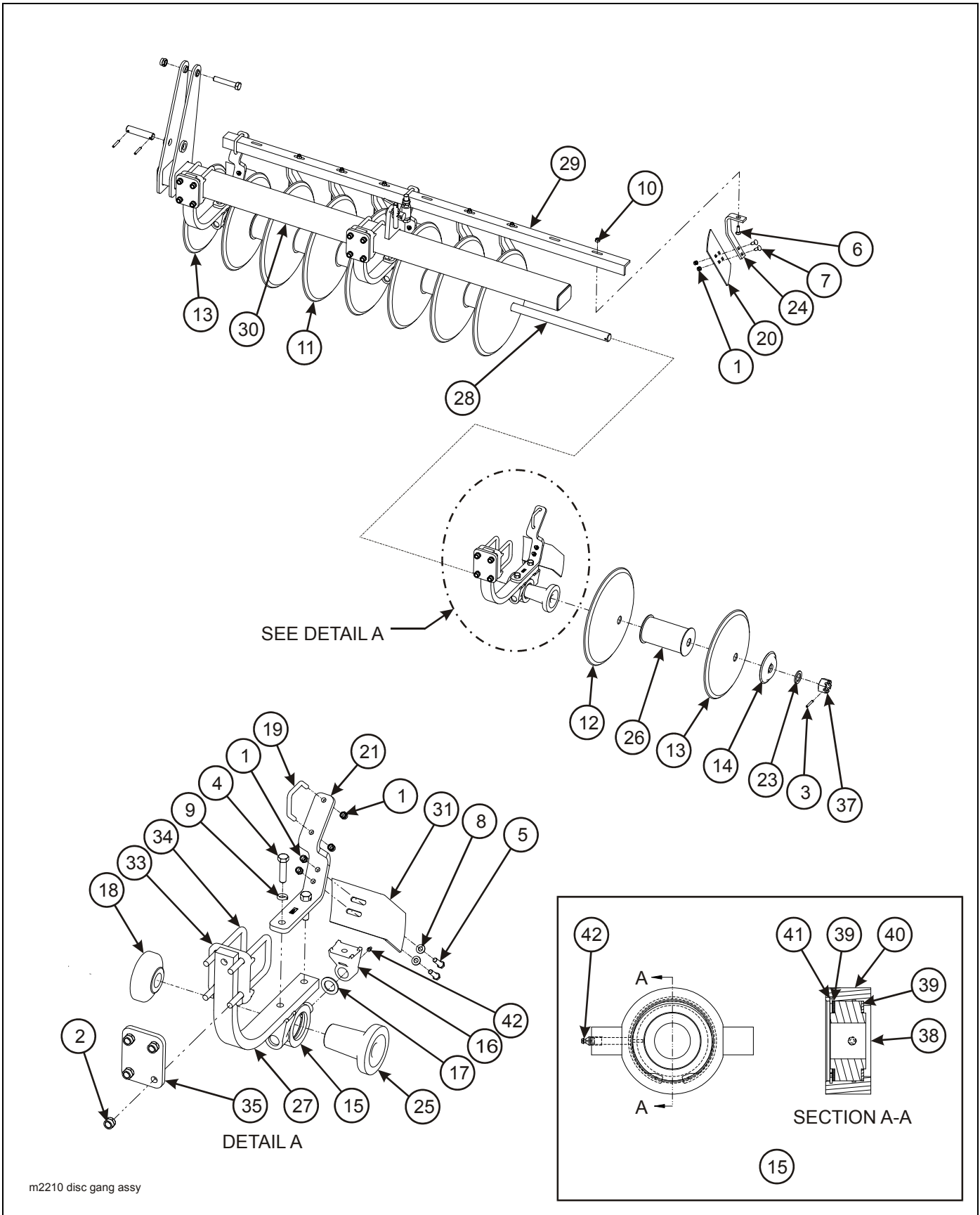
2211 clamp assembly

Figure 2-19: Clamp Assembly

AUTO RESET CLAMP ASSEMBLY

ITEM	PART NO.	DESCRIPTION	QTY.
1	1-512-010005-19	NUT, HEX LOCK 1-8 GRB	
2	149674	CLAMP CASTING, SHANK TUBE	
3	149675	CLAMP CASTING, BOTTOM SHANK TUBE	
4	1-512-010005-15	NUT, HEX LOCK 3/4-10	
5	1-654-010061-13	SCREW, HEX HEAD CAP 3/4 -10 X 4 GR5	
6	141251	PIN, GROOVED ALLOY 1/2 X 2-1/4	
7	144457	PIN, SHANK	
8	144460	BEARING, FLANGE 1-1/4	
9	174742	MOUNT, SHANK	
10	145172	SPRING ASSEMBLY, COIL (INCL ITEMS 19-23)	
11	149754	SHANK TUBE, LEFT FRONT (2211-09)	
	150233	SHANK TUBE, LEFT FRONT (2211-11)	
	150278	SHANK TUBE, LEFT FRONT (2211-13)	
	150280	SHANK TUBE, LEFT FRONT (2211-15)	
12	149755	SHANK TUBE, LEFT REAR (2211-09 & -11)	
	150282	SHANK TUBE, LEFT REAR (2211-13 & -15)	
13	149756	SHANK TUBE, RIGHT FRONT (2211-09)	
	150234	SHANK TUBE, RIGHT FRONT (2211-11)	
	150279	SHANK TUBE, RIGHT FRONT (2211-13)	
	150281	SHANK TUBE, RIGHT FRONT (2211-15)	
14	149757	SHANK TUBE, RIGHT REAR (2211-09 & -11)	
	150283	SHANK TUBE, RIGHT REAR (2211-13 & -15)	
15	156905	U-BOLT 1 X 4-1/4 X 17	
16	150167	CLAMP CASTING, SHANK TUBE	
17	150168	CLAMP CASTING, BOTTOM SHANK TUBE	
18	144458	SHANK, 1-1/4 X 2-1/2 X 32 50° STD.	
	167596	SHANK, 1-1/4 X 3 X 32 RIPOLL	
19	144448	THREADED CAP, SPRING ROD	
20	144449	WASHER, SPRING ROD	
21	144451	SLIDE, SPRING ROD	
22	144461	SPRING, COIL COMPRESSION	
23	145173	ROD, SPRING	
24	146826	SPIKE, 2" X 1" X 18" (USED W/ STD. SHANK ONLY)	
25	B1821BH050C300N	SCREW, HEX HEAD CAP 1/2-13 X 3 GR8	
26	114911	NUT, HEAVY HEX 1/2-13	
27	153631	WASHER, HEAVY DUTY FLAT 1/2	
28	174743	MOUNT, SHANK - LEFT (NOT SHOWN)	
29	158837	SPIKE, 2" STRAIGHT CHROME CAP (USED W/ STD. SHANK ONLY)	
30	1-654-010061-15	SCREW, HEX HEAD CAP 3/4-10 X 5 GR5	
31	170161	POINT, SHANK V-CAP 1-1/4 (USED W/ RIPOLL SHANK ONLY)	
32	170160	POINT, SHANK DORSAL FIN 1-1/4 (USED W/ RIPOLL SHANK ONLY)	
33	1-647-010004255	PIN, SPRING SLOTTED 3/8 X 2	

ILLUSTRATED PARTS LIST



m2210 disc gang assy

Figure 2-20: Disc Gang Assembly

DISC GANG ASSEMBLY

ITEM	PART NO.	DESCRIPTION	QTY.
1	1-512-010005-09	NUT, HEX LOCK 1/2-13 GRB	
2	1-512-010005-15	NUT, HEX LOCK 3/4-10 GRB	
3	1-647-010004257	ROLL PIN, SLOTTED 3/8 X 2-1/2	
4	1-654-010032-09	SCREW, HEX HEAD CAP 3/4-10 X 3 GR8	
5	1-654-010055-05	SCREW, HEX HEAD CAP 1/2-13 X 2 GR5	
6	160161	SHAKER BOLT 1/2-13 X 1-3/4 GR8	
7	1-654-010070-04	SCREW, RD HEAD SQ NECK 1/2-13 X 1-1/4	
8	1-861-010032-14	WASHER, FLAT 3/4N	
9	1-861-010034-17	WASHER, SPLIT LOCK 3/4	
10	172509	NUT, WIDE FLANGE TOP LOCK 1/2-13	
11	140465	DISC BLADE 24" X 1/4 X 1-3/4	
	142662	DISC BLADE 24" X 1/4 X 1-3/4 ROLLABLE	
12	140466	DISC BLADE 22" X 1/4 X 1-3/4	
	142660	DISC BLADE 22" X 1/4 X 1-3/4 ROLLABLE	
13	140467	DISC BLADE 20" X 1/4 X 1-3/4	
14	140469	END COLLAR	
15	140477	BEARING, DISC 1.775 ID ASSEMBLY (INCL ITEMS 38-42)	
16	140479	MOUNT, TRUNNION BEARING	
17	140480	WASHER, TRUNNION	
18	140485	HALF SPOOL, CONCAVE	
19	140487	U-BOLT, SCRAPER BAR MOUNT	
20	140488	SCRAPER, 4-1/2	
21	140490	MOUNT, SCRAPER BAR RIGHT	
22	140491	MOUNT, SCRAPER BAR LEFT (NOT SHOWN)	
23	141154	WASHER, GANG SHAFT	
24	144155	ARM, SCRAPER	
25	148363	HALF SPOOL, CONVEX	
26	148364	SPOOL WELDMENT, 10-1/2	
27	148386	SHANK, DISC BEARING STRAIGHT	
28	-----	SHAFT, GANG (SEE PAGE 2-35)	
29	-----	SCRAPER BAR, 7-1/2 SP 6 HOLE (SEE PAGE 2-35)	
30	-----	GANG BAR (SEE PAGE 2-35)	
31	150231	SCRAPER, DUAL RIGHT 10-1/2	
32	150232	SCRAPER, DUAL LEFT 10-1/2 (NOT SHOWN)	
33	167-0053	CASTING, CLAMP DISC SHANK	
34	2-102-010063	U-BOLT, CLAMP DISC SHANK	
35	2-565-010899	PLATE, CLAMP DISC SHANK 5/8	
36	2-573-010330-02	DECAL, LUBRICATION 10 HOURS (NOT SHOWN)	
37	23085	NUT, HEX SLOTTED 1-3/4 - 5	
38	140464	BEARING, DISC 1.775 ID	
39	140473	WASHER, BEARING	
40	140475	CASTING, TRUNNION BEARING	
41	140476	INTERNAL RETAINING RING	
42	5000	ZERK, FITTING 1/8	

ILLUSTRATED PARTS LIST

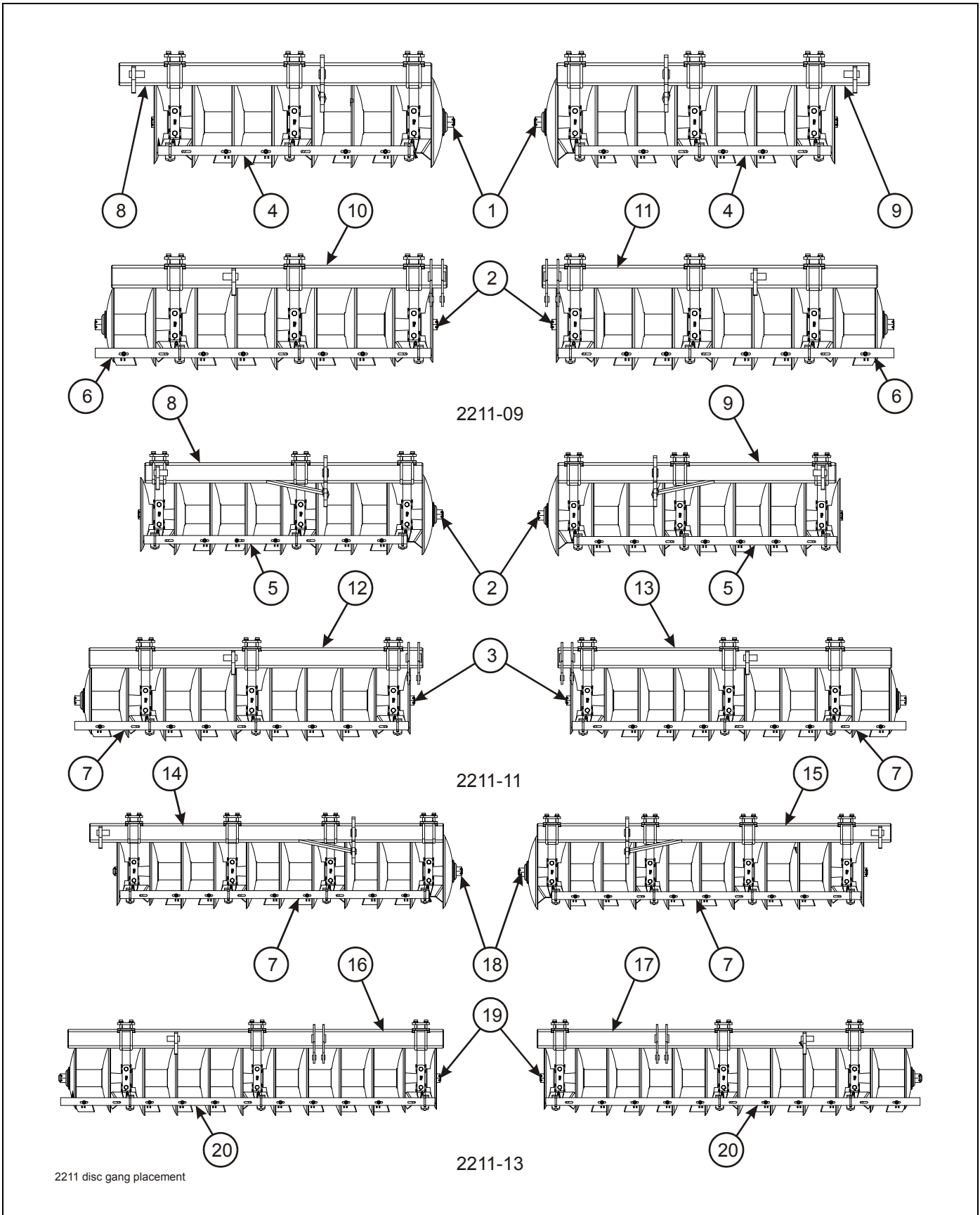


Figure 2-21: Disc Gang Placement

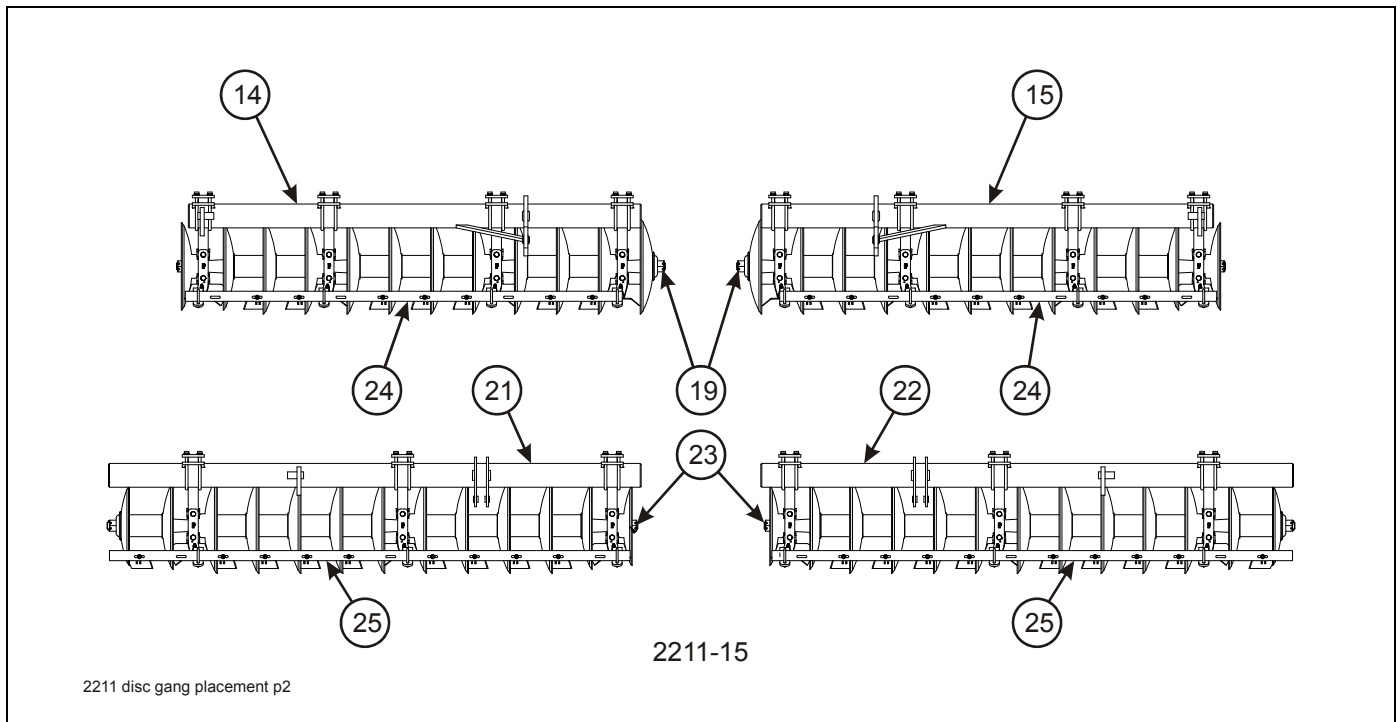


Figure 2-22: Disc Gang Placement

DISC GANG PLACEMENT

ITEM	PART NO.	DESCRIPTION	QTY.
1	149591	SHAFT, GANG 80"	
2	149592	SHAFT, GANG 90-1/2"	
3	149593	SHAFT, GANG 101	
4	149603	SCRAPER BAR, 10-1/2 SP 6 HOLE	
5	149604	SCRAPER BAR, 10-1/2 SP 7 HOLE	
6	149605	SCRAPER BAR, 10-1/2 SP 8 HOLE	
7	149606	SCRAPER BAR, 10-1/2 SP 9 HOLE	
8	149626	GANG BAR SHANK FRONT LEFT	
9	149627	GANG BAR SHANK FRONT RIGHT	
10	149628	GANG BAR REAR LEFT	
11	149629	GANG BAR REAR RIGHT	
12	149632	GANG BAR REAR LEFT	
13	149633	GANG BAR REAR RIGHT	
14	149634	GANG BAR, SHANK FRONT LEFT	
15	149635	GANG BAR, SHANK FRONT RIGHT	
16	149636	GANG BAR, SHANK REAR LEFT	
17	149637	GANG BAR, SHANK REAR RIGHT	
18	149594	SHAFT, GANG 112"	
19	149595	SHAFT, GANG 122-1/2"	
20	149608	SCRAPER BAR 10-1/2 SP 11 HOLE	
21	149642	GANG BAR, REAR LEFT	
22	149643	GANG BAR, REAR RIGHT	
23	149596	SHAFT, GANG 133	
24	149607	SCRAPER, BAR 10-1/2 SP 10 HOLE	
25	149609	SCRAPER, BAR 10-1/2 SP 12 HOLE	

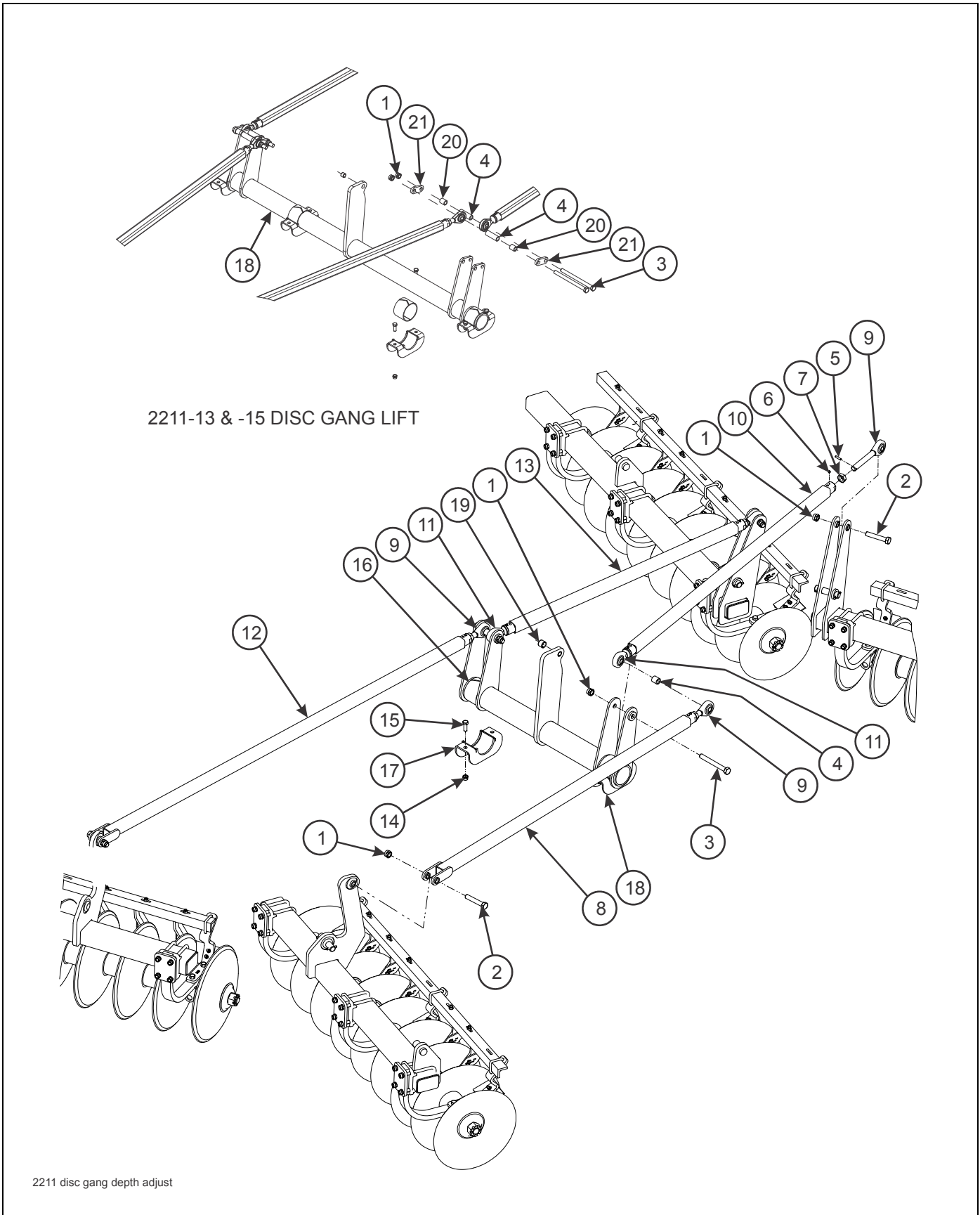


Figure 2-23: Disc Gang Depth Adjustment

DISC GANG DEPTH ADJUSTMENT

ITEM	PART NO.	DESCRIPTION	QTY.
1	1-512-010005-19	NUT, HEX LOCK 1-8 GRB	6
2	102271	SCREW, HEX HEAD CAP 1-8 X 5-1/2 GR5	4
3	114616	SCREW, HEX HEAD CAP 1-8 X 8-1/2 GR5 (2211-09 & -11)	2
	135165	SCREW, HEX HEAD CAP 1-8 X 12 GR5 (2211-13 & -15)	2
4	149786	TUBE, SPACER (2211-09 & -11)	2
	149784	TUBE, SPACER 4-1/2 (2211-13 & -15)	2
5	0600-250-01250	ROLL PIN, 1/4 X 1-1/4	6
6	1-298-010001-1	ZERK FITTING 1/4	6
7	100823	NUT, HEX JAM 1-1/4 - 7	4
8	160639	RADIUS ROD, LEFT FRONT 93-1/2"	1
9	2-654-010098	SCREW, RH RADIUS ROD	4
10	149793	RADIUS ROD, LEFT REAR 81" (2211-09 & -11)	1
	152202	RADIUS ROD, LEFT REAR 93" (2211-13 & -15)	1
11	2-654-010097	SCREW, LH RADIUS ROD	2
12	149794	RADIUS ROD, RIGHT FRONT 121-1/2"	1
13	149795	RADIUS ROD, RIGHT REAR 69" (2211-09 & -11)	1
	149793	RADIUS ROD, RIGHT REAR 81" (2211-13 & -15)	1
14	1-512-010005-15	NUT, HEX LOCK 3/4-10	4
15	1-654-010061-05	SCREW, HEX HEAD CAP 3/4-10 X 2 GR5	4
16	140519	BEARING, UHMW 4"	2
17	141234	BEARING CAP, LIFT	2
18	149668	LIFT, DISC GANG (2211-09 & -11)	1
	165290	LIFT, DISC GANG (2211-13 & -15)	1
19	2-150-010008	BUSHING, STEEL 1-1/4 X 1 X 1	1
20	165291	TUBE, SPACER 1-3/4 (2211-13 & -15)	4
21	165294	PLATE, DOUBLER (2211-13 & -15)	4

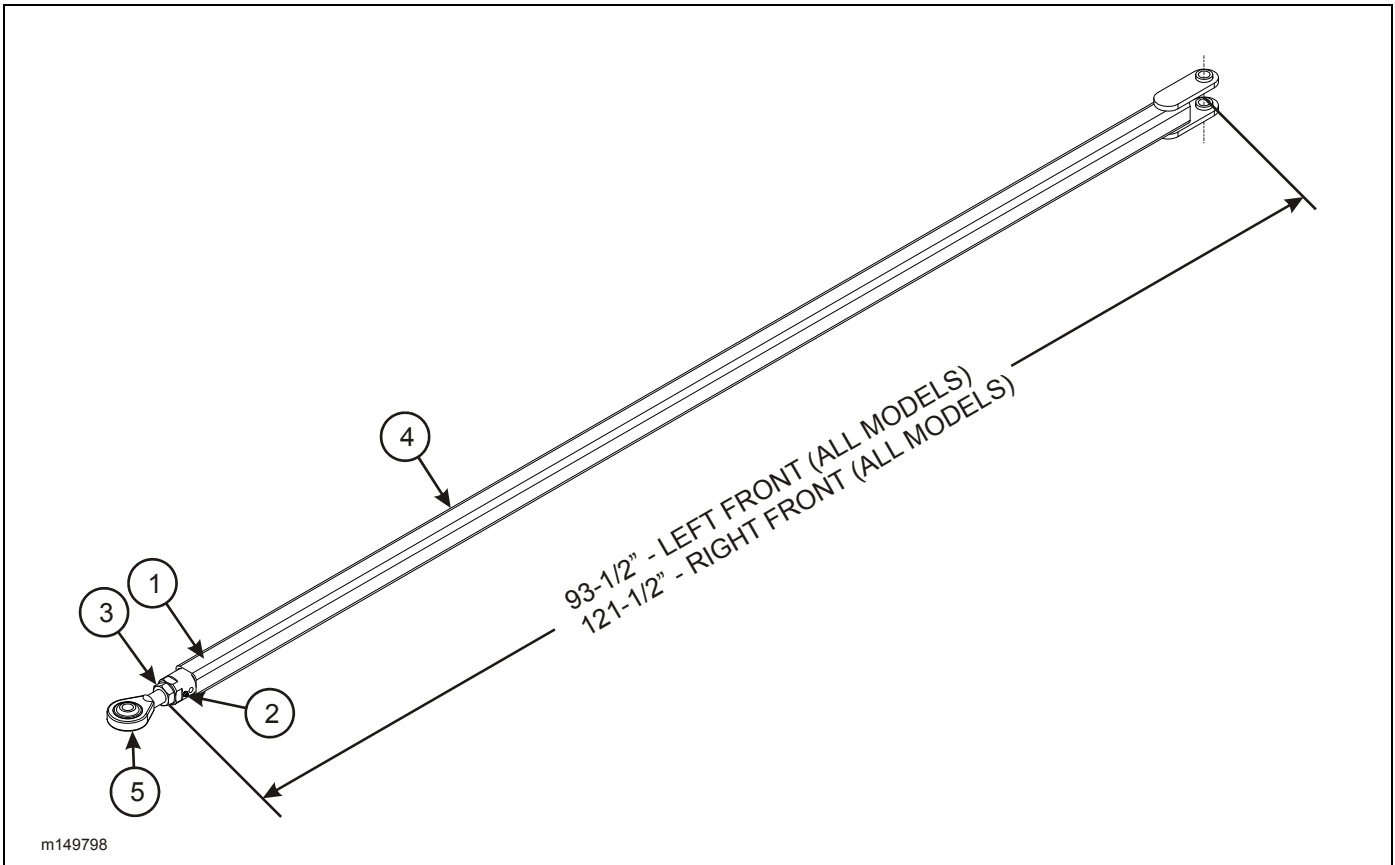


Figure 2-24: Radius Rod Assembly, Front

RADIUS ROD ASSEMBLY, FRONT

ITEM	PART NO.	DESCRIPTION	QTY.
	149798	RADIUS ROD ASSEMBLY, RIGHT FRONT	
	160638	RADIUS ROD ASSEMBLY, LEFT FRONT	
1	0600-250-01250	ROLL PIN, 1/4 X 1-1/4	
2	1-298-010001-1	ZERK FITTING 1/4	
3	100823	NUT, HEX JAM 1-1/4 - 7	
4	149794	RADIUS ROD, RIGHT FRONT (149798)	
	160639	RADIUS ROD, LEFT FRONT (160638)	
5	2-654-010098	SCREW, RH RADIUS ROD	

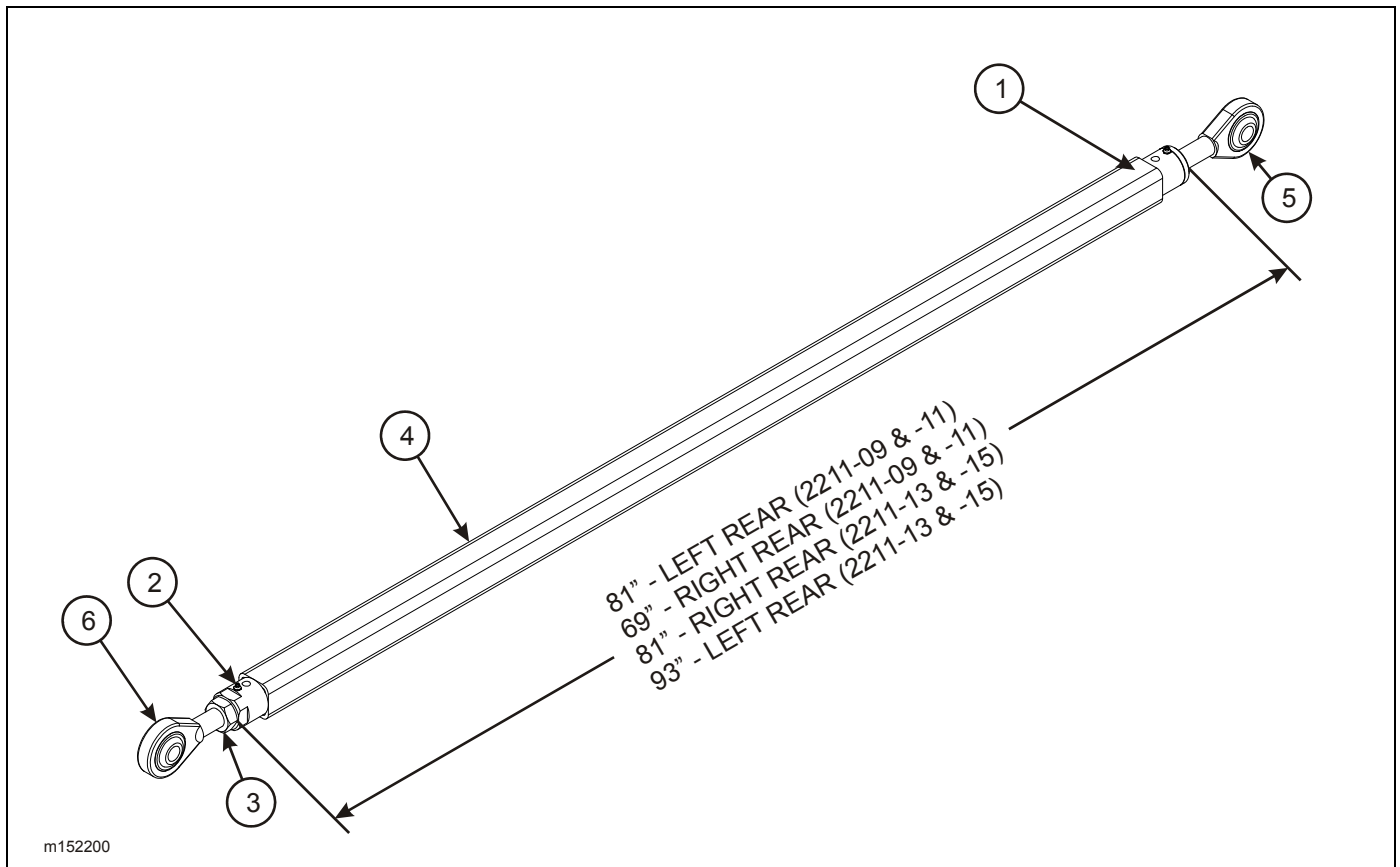
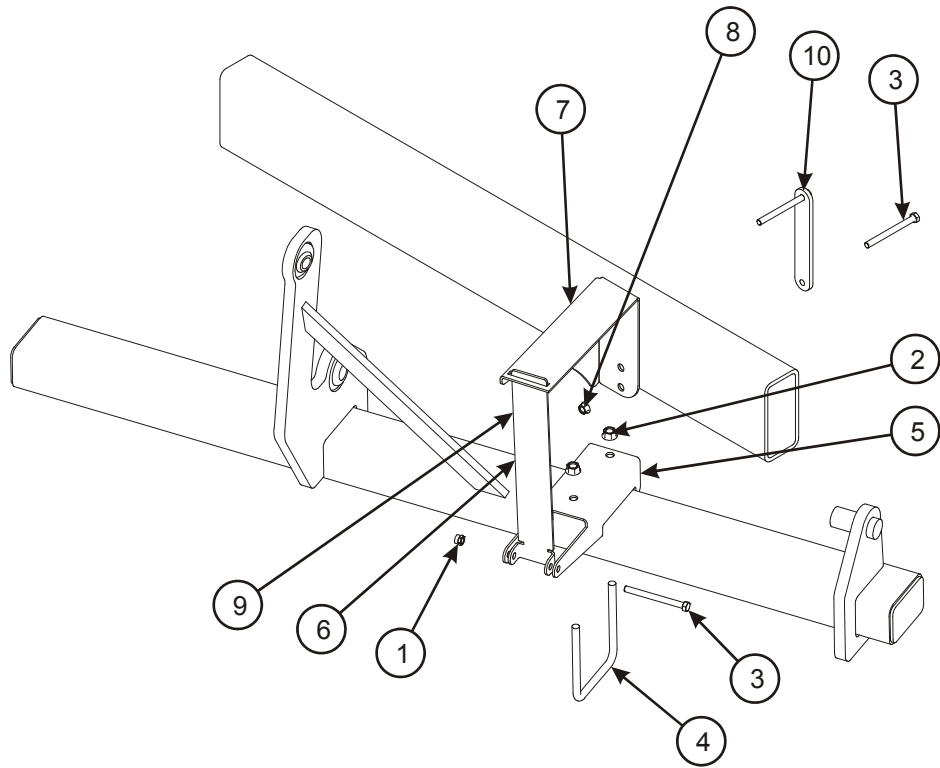


Figure 2-25: Radius Rod Assembly, Rear

RADIUS ROD ASSEMBLY, REAR

ITEM	PART NO.	DESCRIPTION	QTY.
	152200	RADIUS ROD ASSEMBLY, LEFT REAR (2211-13/15)	
	149797	RADIUS ROD ASSEMBLY, RIGHT REAR (2211-13/15)	
	149797	RADIUS ROD ASSEMBLY, LEFT REAR (2211-9/11)	
	149799	RADIUS ROD ASSEMBLY, RIGHT REAR (2211-9/11)	
1	0600-250-01250	ROLL PIN, 1/4 X 1-1/4	
2	1-298-010001-1	ZERK FITTING 1/4	
3	100823	NUT, HEX JAM 1-1/4 - 7	
4	152202	RADIUS ROD, LEFT REAR (152200) (2211-13/15)	
	149793	RADIUS ROD, RIGHT REAR (149797) (2211-13/15)	
	149793	RADIUS ROD, LEFT REAR (149797) (2211-9/11)	
	149795	RADIUS ROD, RIGHT REAR (19799) (2211-9/11)	
5	2-654-010097	SCREW, LH RADIUS ROD	
6	2-654-010098	SCREW, RH RADIUS ROD	

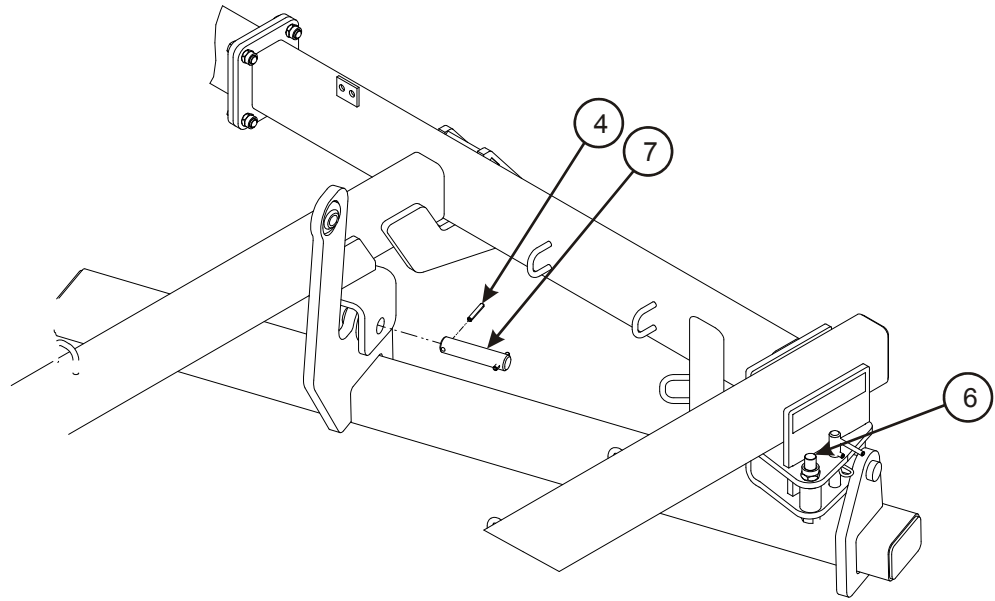


2211 gang depth gauge assy

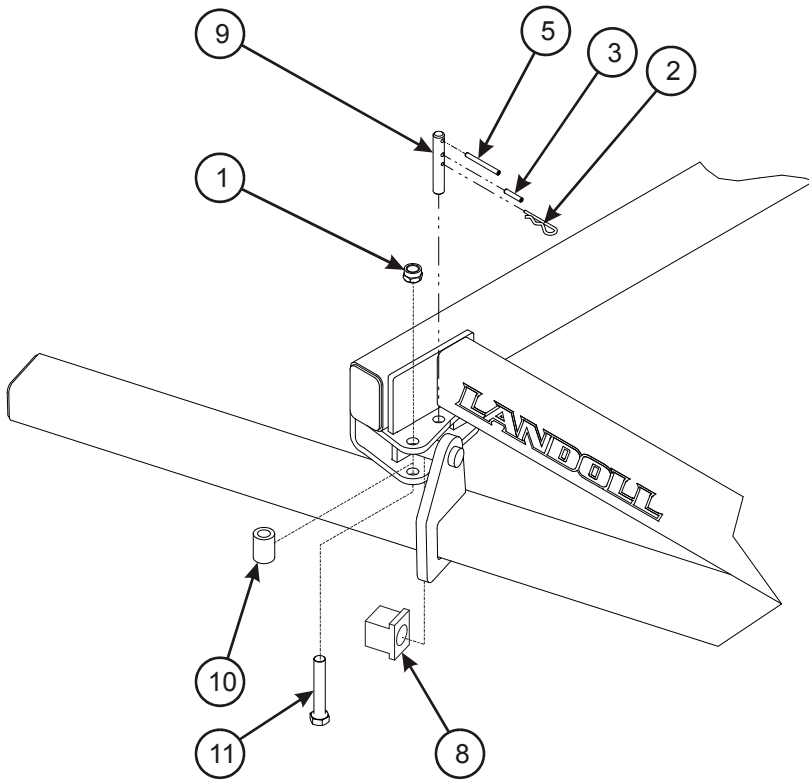
Figure 2-26: Gang Depth Gauge Assembly

GANG DEPTH GAUGE ASSEMBLY

ITEM	PART NO.	DESCRIPTION	QTY.
1	1-512-010005-09	NUT, HEX LOCK 1/2-13 GRB	1
2	100827	NUT, FLANGE HEAD SERRATED 5/8-11	4
3	1-654-010055-16	SCREW, HEX HEAD CAP 1/2-13 X 5-1/2 GR5	3
4	141269	U-BOLT, WING STABILIZER	1
5	150265	MOUNT, DEPTH GAUGE	1
6	160825	GAUGE, DEPTH INDICATOR	1
7	160822	GUIDE, DEPTH GAUGE	1
8	1-510-010003-09	NUT, FLANGE HEAD SERRATED 1/2-13	2
9	2-573-010336	DECAL, DEPTH GAUGE	1
10	160824	BAR, DEPTH GAUGE	1



FRONT GANG



REAR GANG

2210 disc gang mounting hardware

Figure 2-27: Disc Gang Mounting Hardware

DISC GANG MOUNTING HARDWARE

ITEM	PART NO.	DESCRIPTION	QTY.
1	1-512-010005-19	NUT, HEX LOCK 1-8 GRB	4
2	1-557-010014	PIN, HAIR 1/4	4
3	1-647-010004255	PIN, SPRING SLOTTED 3/8 X 2	4
4	1-647-010004257	PIN, SPRING SLOTTED 3/8 X 2-1/2	8
5	1-647-010004263	PIN, SPRING SLOTTED 3/8 X 4	4
6	1-654-010065-17	SCREW, HEX HEAD CAP 1-8 X 6 GR5 (FRONT GANGS)	2
7	149673	PIN, GANG PIVOT	4
8	149676	BLOCK PIVOT	4
9	149791	PIN, DISC ANGLE 1"	4
10	2-150-010137	BUSHING, DISC ADJ STOP	4
11	1-654-010065-17	SCREW, HEX HEAD CAP 1-8 X 6 GR5 (REAR GANGS) (2211-09 & -11)	2
	102271	SCREW, HEX HEAD CAP 1-8 X 5-1/2 GR5 (REAR GANGS) (2211-13 & -15)	2

ILLUSTRATED PARTS LIST

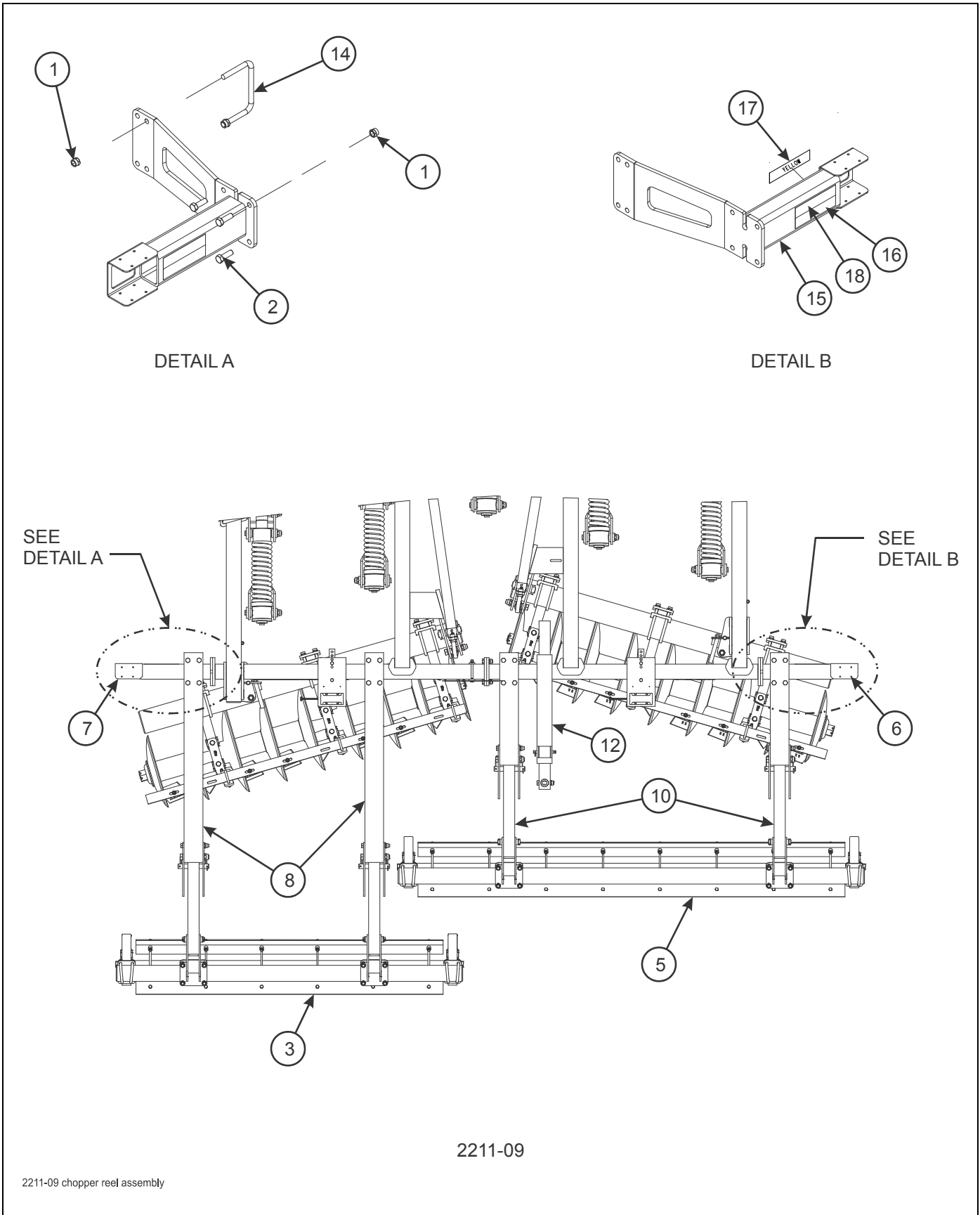
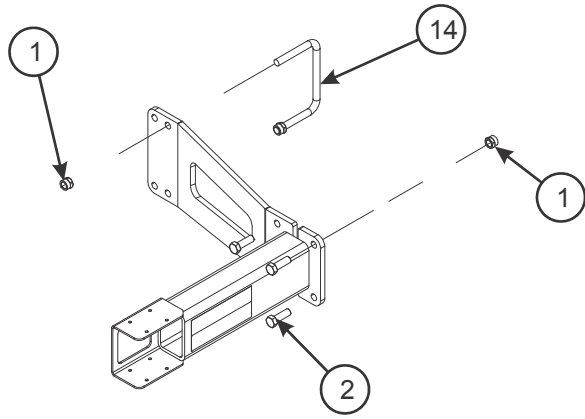
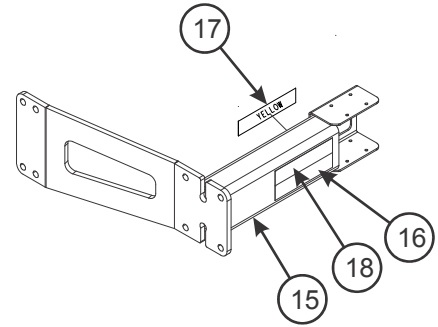


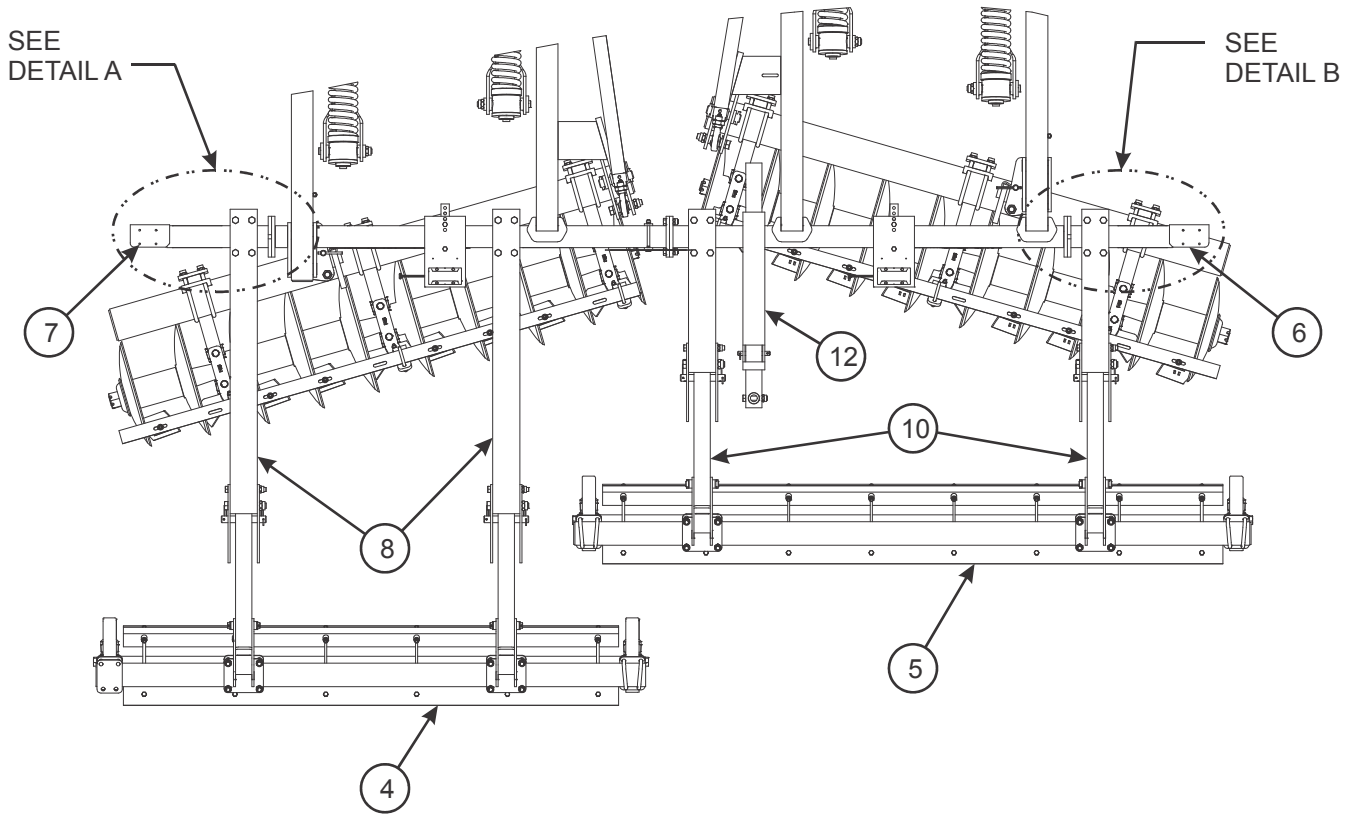
Figure 2-28: Chopper Reel Assembly (2211-09) (1 of 3)



DETAIL A



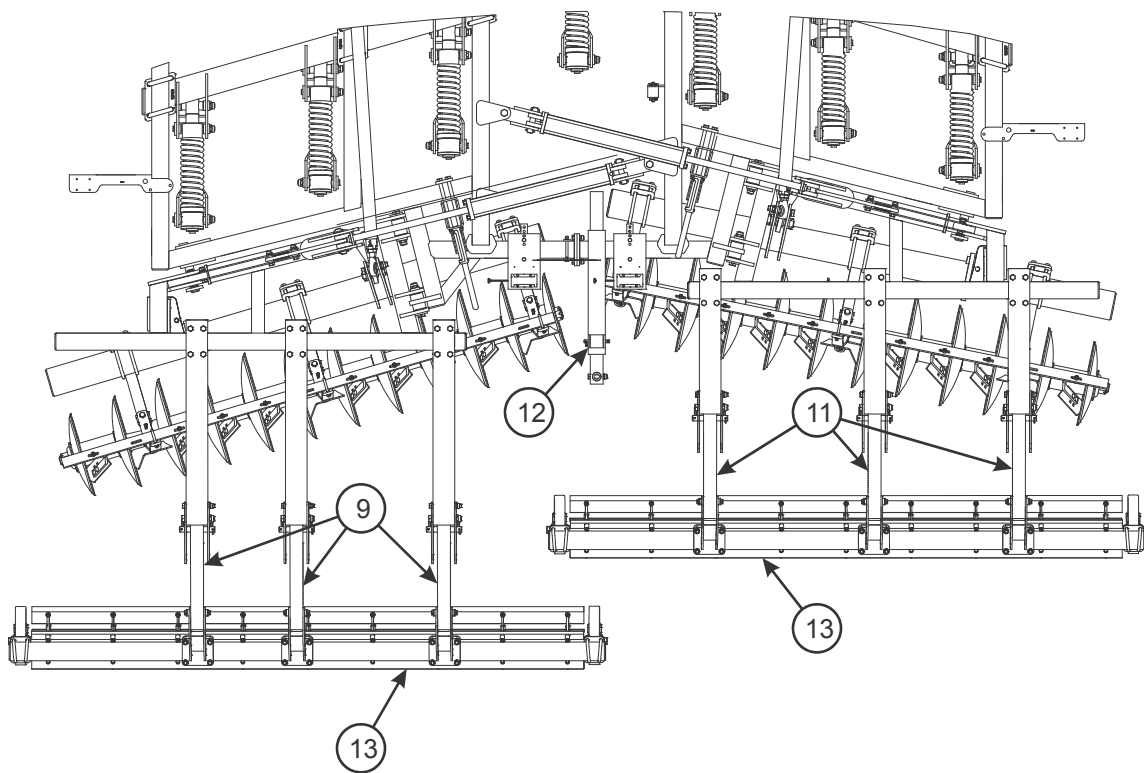
DETAIL B



2211-11

2211-11 chopper reel assembly

Figure 2-29: Chopper Reel Assembly (2211-11) (2 of 3)



2211-13/15

2211-13-15 chopper reel assembly

Figure 2-30: Chopper Reel Assembly (2211-13/15) (3 of 3)

CHOPPER REEL ASSEMBLY

ITEM	PART NO.	DESCRIPTION	QTY.		
	154723	CHOPPER REEL ASSEMBLY (2211-09)	*		
	154724	CHOPPER REEL ASSEMBLY (2211-11)		*	
	160673	CHOPPER REEL ASSEMBLY (2211-13 & -15)			*
1	1-512-010005-15	NUT, HEX LOCK 3/4-10 GRB	16	16	8
2	1-654-010061-06	SCREW, HEX HEAD CAP 3/4-10 X 2-1/4 GR5	8	8	8
3	154407	REEL/GANG BAR ASSEMBLY 82" (SEE PAGE 2-69)	1	--	--
4	154409	REEL/GANG BAR ASSEMBLY 91" (SEE PAGE 2-69)	--	1	--
5	154410	REEL/GANG BAR ASSEMBLY 114" (SEE PAGE 2-69)	1	1	--
6	155549	LIGHT BRACKET ASSEMBLY, RH W/ REF (INCL ITEMS 15 - 18)	1	1	--
7	155550	LIGHT BRACKET ASSEMBLY, LH W/ REF (INCL ITEMS 15 - 18)	1	1	--
8	160603	ARM ASSEMBLY, 56" (SEE PAGE 2-53)	2	2	--
9	160667	ARM ASSEMBLY, 48" (SEE PAGE 2-53)	--	--	3
10	160184	ARM ASSEMBLY, 30" (SEE PAGE 2-53)	2	2	
11	160668	ARM ASSEMBLY, 34" (SEE PAGE 2-53)	--	--	3
12	160600	REAR JACK ASSEMBLY (SEE PAGE 2-23)	1	1	1
13	155595	REEL/GANGBAR ASSEMBLY 129" (SEE PAGE 2-69)	--	--	2
14	165556	U-BOLT	4	4	--
15	155546	EXTENSION, LIGHT ARM	1	1	--
16	528933	REFLECTOR, RED 2 X 9	1	1	--
17	528934	REFLECTOR, YELLOW 2 X 9	1	1	--
18	528938	FLUORESCENT MATERIAL 2 X 9	1	1	--

ILLUSTRATED PARTS LIST

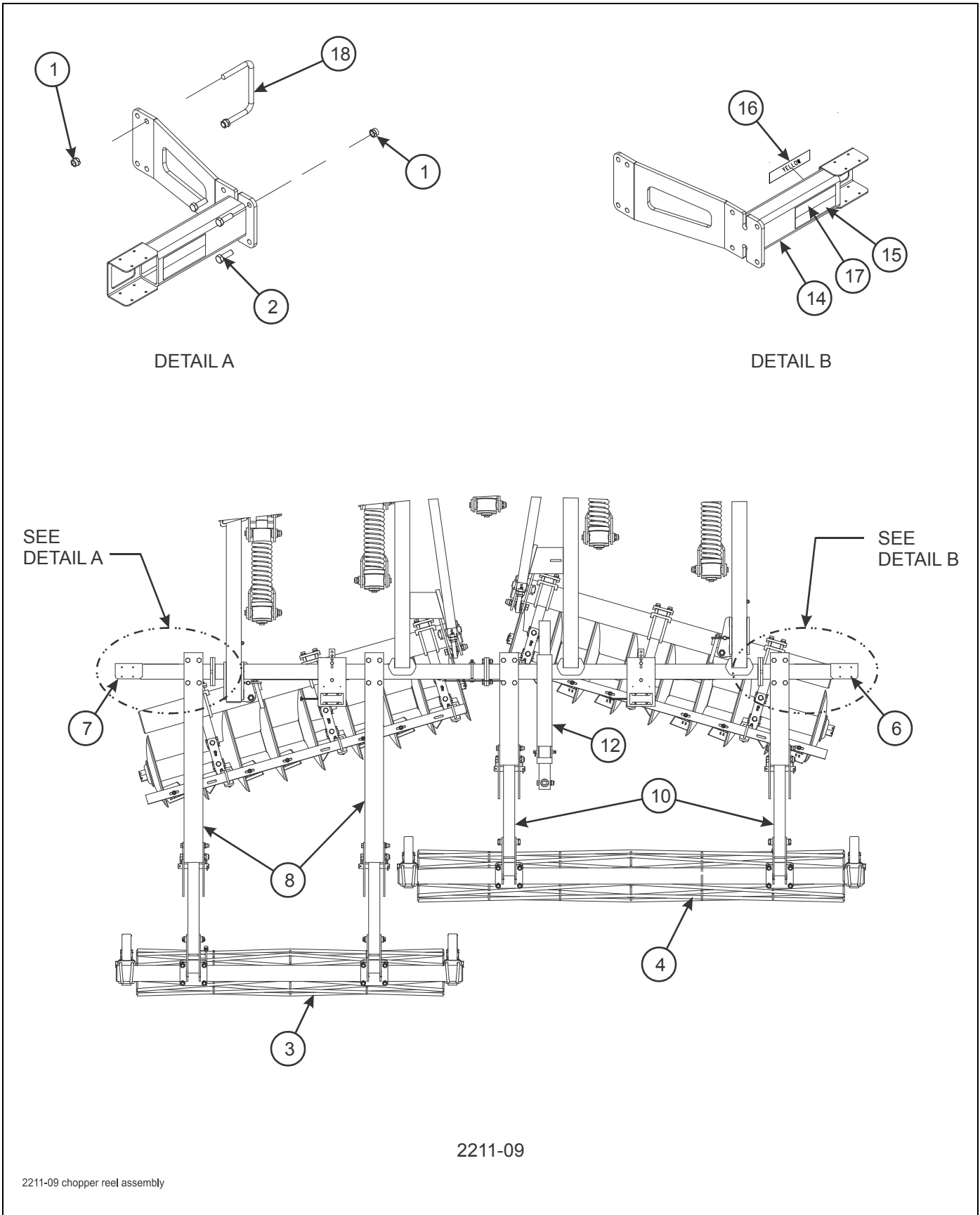
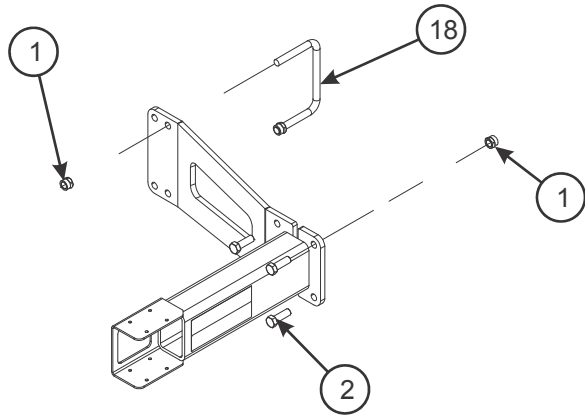
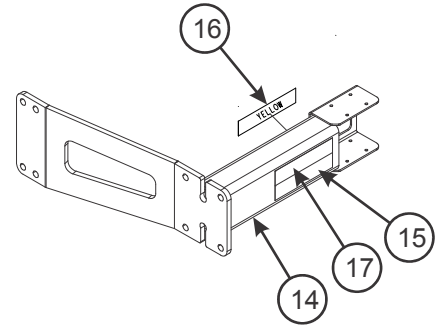


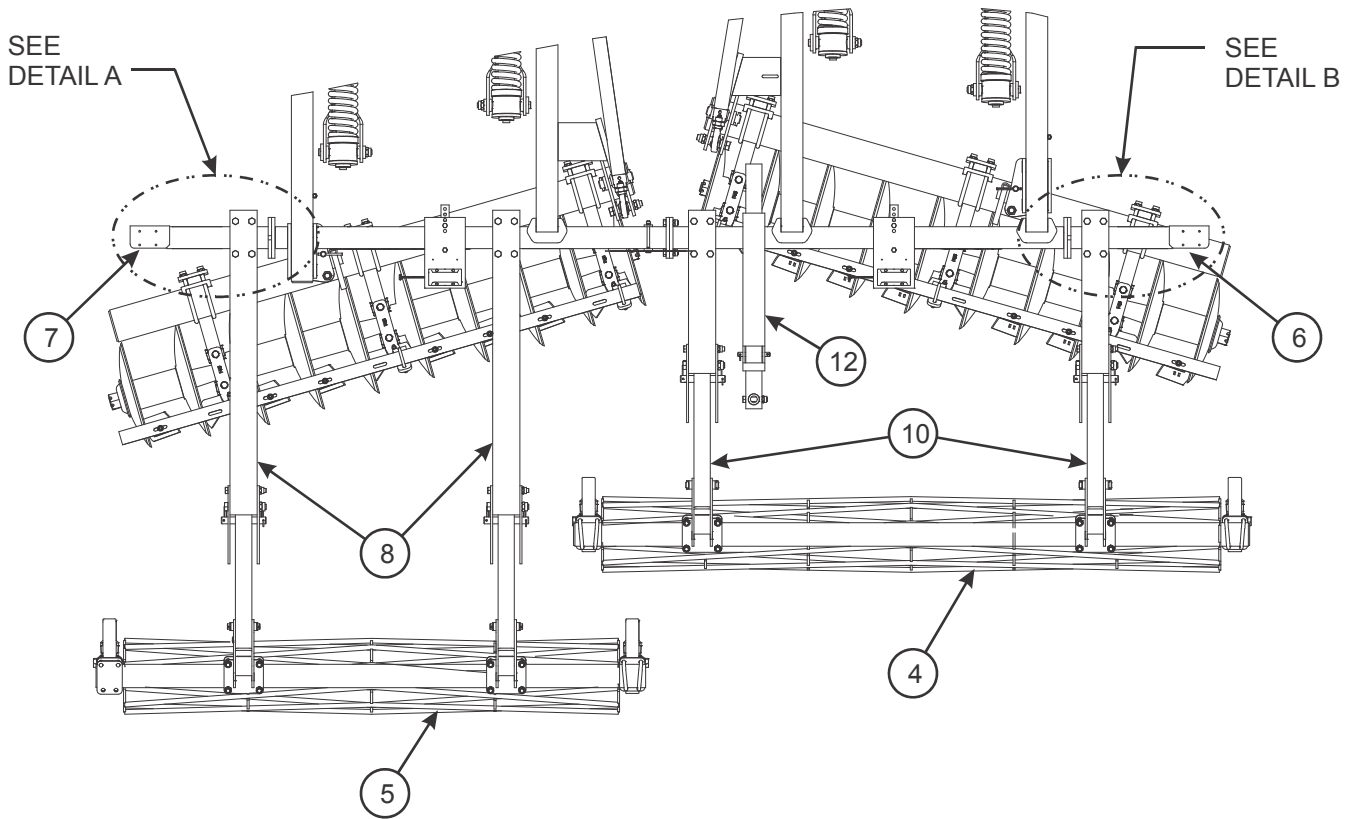
Figure 2-31: Conditioner Reel Assembly (2211-09) (1 of 3)



DETAIL A



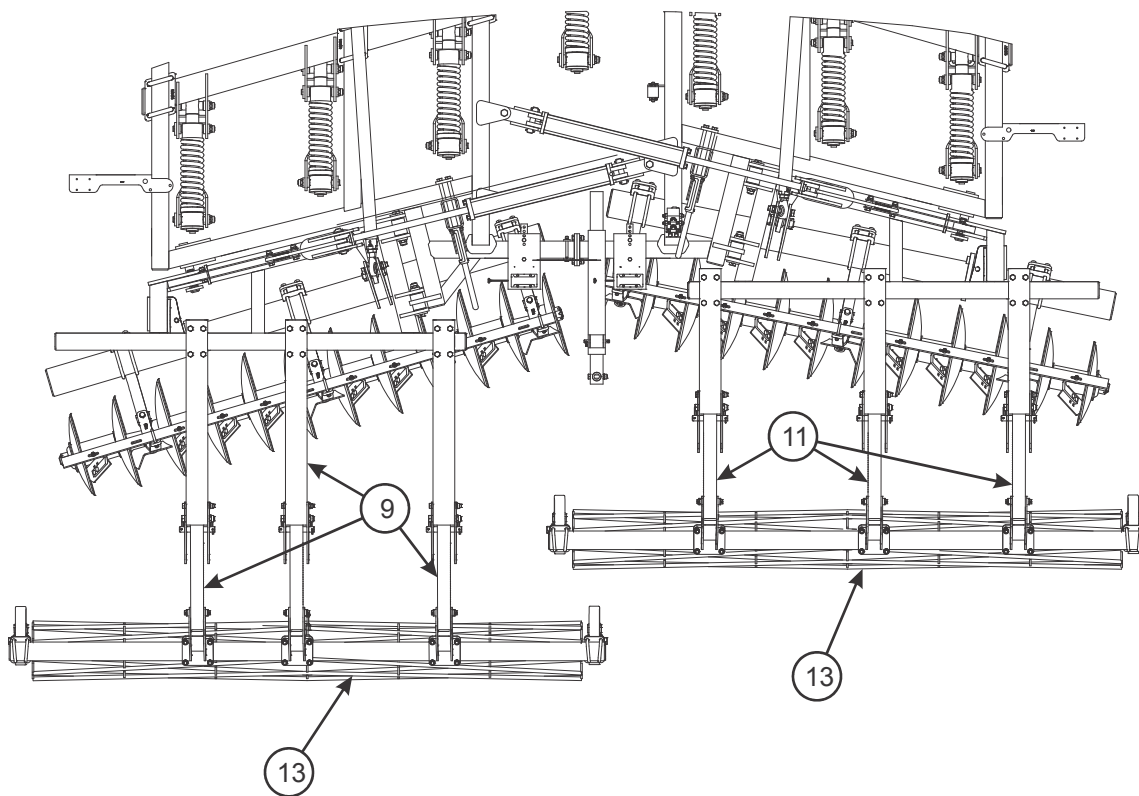
DETAIL B



2211-11

2211-11 chopper reel assembly

Figure 2-32: Conditioner Reel Assembly (2211-11) (2 of 3)



2211-13/15

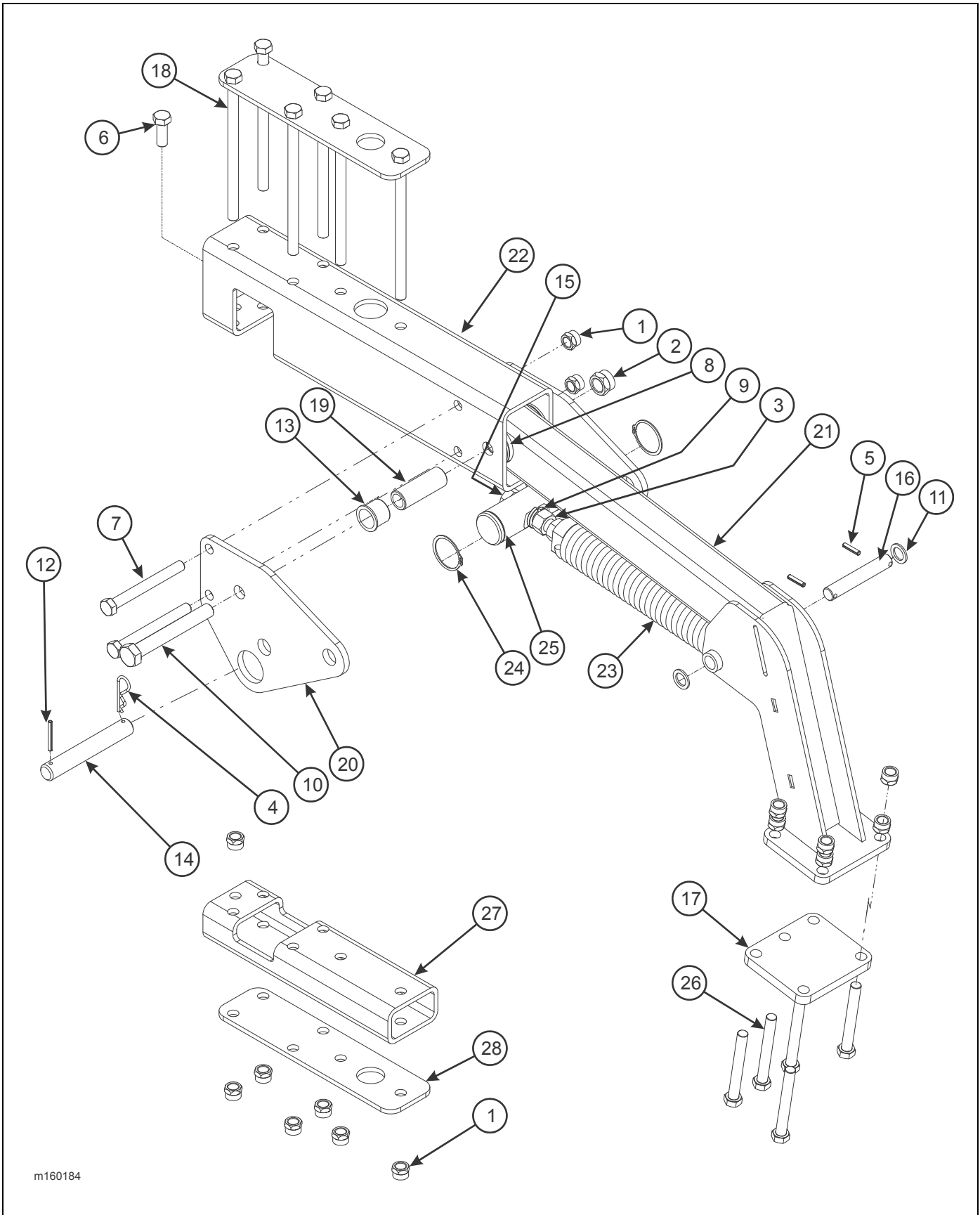
2211-13-15 chopper reel assembly

Figure 2-33: Conditioner Reel Assembly (2211-13/15) (3 of 3)

CONDITIONER REEL ASSEMBLY

ITEM	PART NO.	DESCRIPTION	QTY.		
	155560	CONDITIONER REEL ASSEMBLY (2211-09)	*		
	155561	CONDITIONER REEL ASSEMBLY (2211-11)		*	
	160674	CONDITIONER REEL ASSEMBLY (2211-13 & -15)			*
1	1-512-010005-15	NUT, HEX LOCK 3/4-10 GRB	24	24	8
2	1-654-010061-06	SCREW, HEX HEAD CAP 3/4-10 X 2-1/4 GR5	16	16	8
3	154684	CONDITIONER REEL/GANG BAR ASSEMBLY 82" (SEE PAGE 2-69)	1	--	--
4	154687	CONDITIONER REEL/GANG BAR ASSEMBLY 114" (SEE PAGE 2-69)	1	1	--
5	154686	CONDITIONER REEL/GANG BAR ASSEMBLY 91" (SEE PAGE 2-69)	--	1	--
6	155549	LIGHT BRACKET ASSEMBLY, RH W/ REF (INCL ITEMS 14 - 17)	1	1	--
7	155550	LIGHT BRACKET ASSEMBLY, LH W/ REF (INCL ITEMS 14 - 17)	1	1	--
8	160603	ARM ASSEMBLY, 56" (SEE PAGE 2-53)	2	2	--
9	160667	ARM ASSEMBLY, 48" (SEE PAGE 2-53)	--	--	3
10	160184	ARM ASSEMBLY, 30" (SEE PAGE 2-53)	2	2	--
11	160668	ARM ASSEMBLY, 34" (SEE PAGE 2-53)	--	--	3
12	160600	REAR JACK ASSEMBLY (SEE PAGE 2-23)	1	1	--
13	156125	CONDITIONER REEL/GANG BAR ASSEMBLY 129" (SEE PAGE 2-69)	--	--	2
14	155546	EXTENSION, LIGHT ARM	1	1	--
15	528933	REFLECTOR, RED 2 X 9	1	1	--
16	528934	REFLECTOR, YELLOW 2 X 9	1	1	--
17	528938	FLUORESCENT MATERIAL 2 X 9	1	1	--
18	165556	U-BOLT	4	4	--

ILLUSTRATED PARTS LIST



m160184

Figure 2-34: Tubular Mount Chopper/Conditioner Reel Arm Assembly

TUBULAR MOUNT CHOPPER/CONDITIONER REEL ARM ASSEMBLY

ITEM	PART NO.	DESCRIPTION	QTY.			
	160668	ARM ASSEMBLY, 34"	*			
	160667	ARM ASSEMBLY, 48"		*		
	160184	ARM ASSEMBLY, 30"			*	
	160603	ARM ASSEMBLY, 56"				*
1	1-512-010005-15	NUT, HEX LOCK 3/4-10 GRB	19	19	19	19
2	1-512-010005-19	NUT, HEX LOCK 1-8 GRB	1	1	1	1
3	1-512-010007-14	NUT, HEX 1-8 GRB	2	2	2	2
4	1-557-010013	PIN, HAIR 3/16	1	1	1	1
5	1-647-010004236	ROLL PIN, SLOTTED 5/16 X 1-1/2	2	2	2	2
6	1-654-010061-05	SCREW, HEX HEAD CAP 3/4-10 X 2 GR5	1	1	1	1
7	1-654-010061-19	SCREW, HEX HEAD CAP 3/4-10 X 7 GR5	2	2	2	2
8	1-861-010032-32	WASHER, FLAT 1-1/2N	2	2	2	2
9	1-861-010034-21	WASHER, SPLIT LOCK 1	1	1	1	1
10	100856	SCREW, HEX HEAD CAP 1-8 X 7-1/2 GR5	1	1	1	1
11	117957	MACHINERY BUSHING	2	2	2	2
12	118650	ROLL PIN, SLOTTED 1/4 X 2-1/2	1	1	1	1
13	140599	BEARING, FLANGE 1-1/2	2	2	2	2
14	148783	PIN, HINGE HYD FLIP	1	1	1	1
15	152210	BOLT, SPRING ADJ 1 X 9	1	1	1	1
16	154392	PIN, PIVOT	1	1	1	1
17	154748P	PLATE, GANGBAR MOUNT	1	1	1	1
18	155345	SCREW, HEX HEAD CAP 3/4-10 X 12 GR5	6	6	6	6
19	156152	BUSHING, PIVOT - 4-1/4	1	1	1	1
20	157562	PLATE, SPRING MOUNT	2	2	2	2
21	157950	ARM, REEL	1	1	1	1
22	160670	TUBE, HARROW ARM 34"	1	--	--	--
	156143	TUBE, HARROW ARM 48"	--	1	--	--
	158785	TUBE, HARROW ARM 30"	--	--	1	--
	158787	TUBE, HARROW ARM 56"	--	--	--	1
23	158795	SPRING ASSEMBLY, 17"	1	1	1	1
24	158896	SNAP RING, 2-1/2 SHAFT	2	2	2	2
25	160199	PIN, ADJ 7-1/4 W/ SNAP RING	1	1	1	1
26	172884	SCREW, HEX HEAD CAP 3/4-10 X 6 GR8	5	5	5	5
27	177004	TUBE, ARM SUPPORT	1	1	1	1
28	177005	PLATE, SUPPORT	2	2	2	2

ILLUSTRATED PARTS LIST

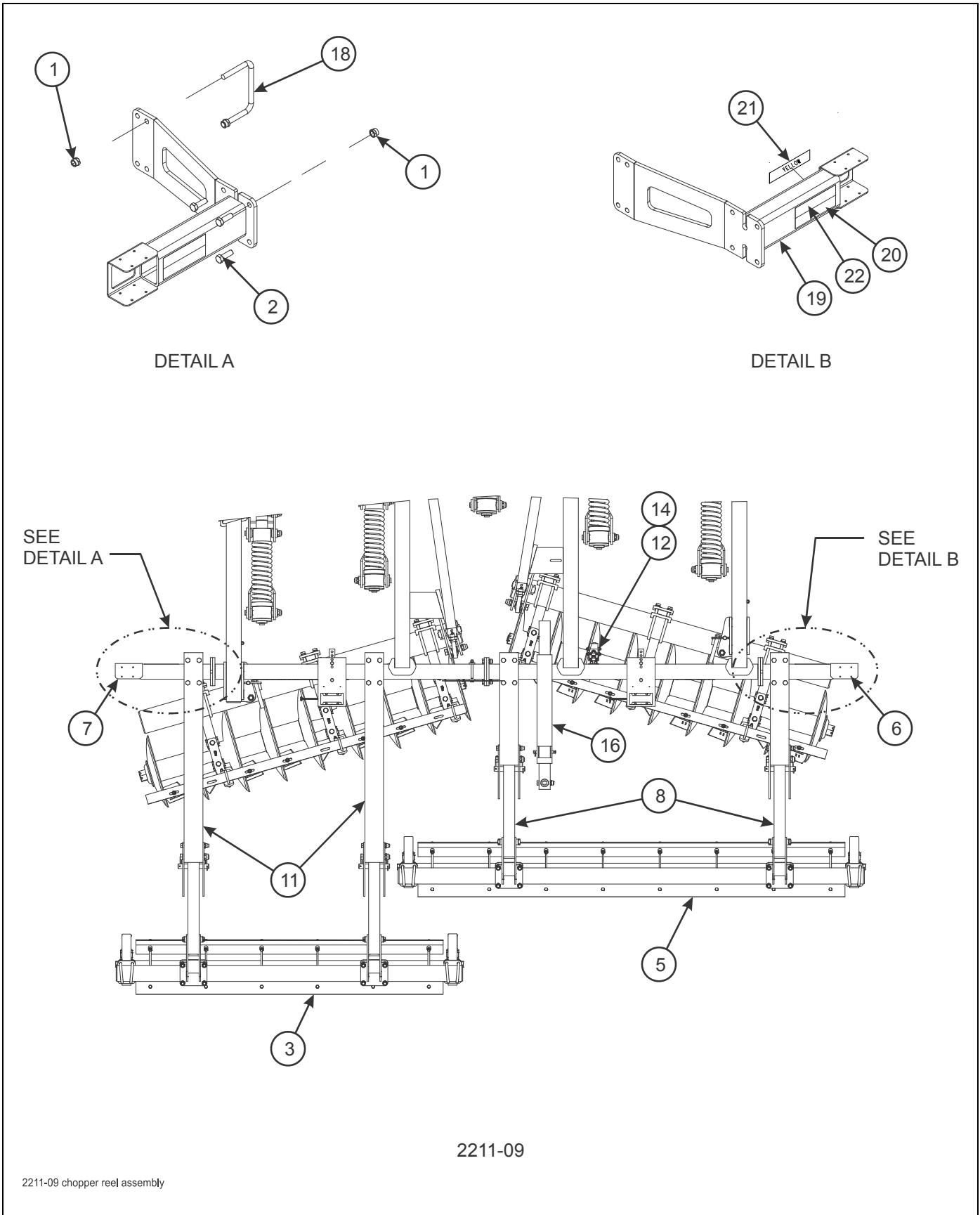


Figure 2-35: Hydraulic Chopper Reel Assembly (2211-09) (1 of 3)

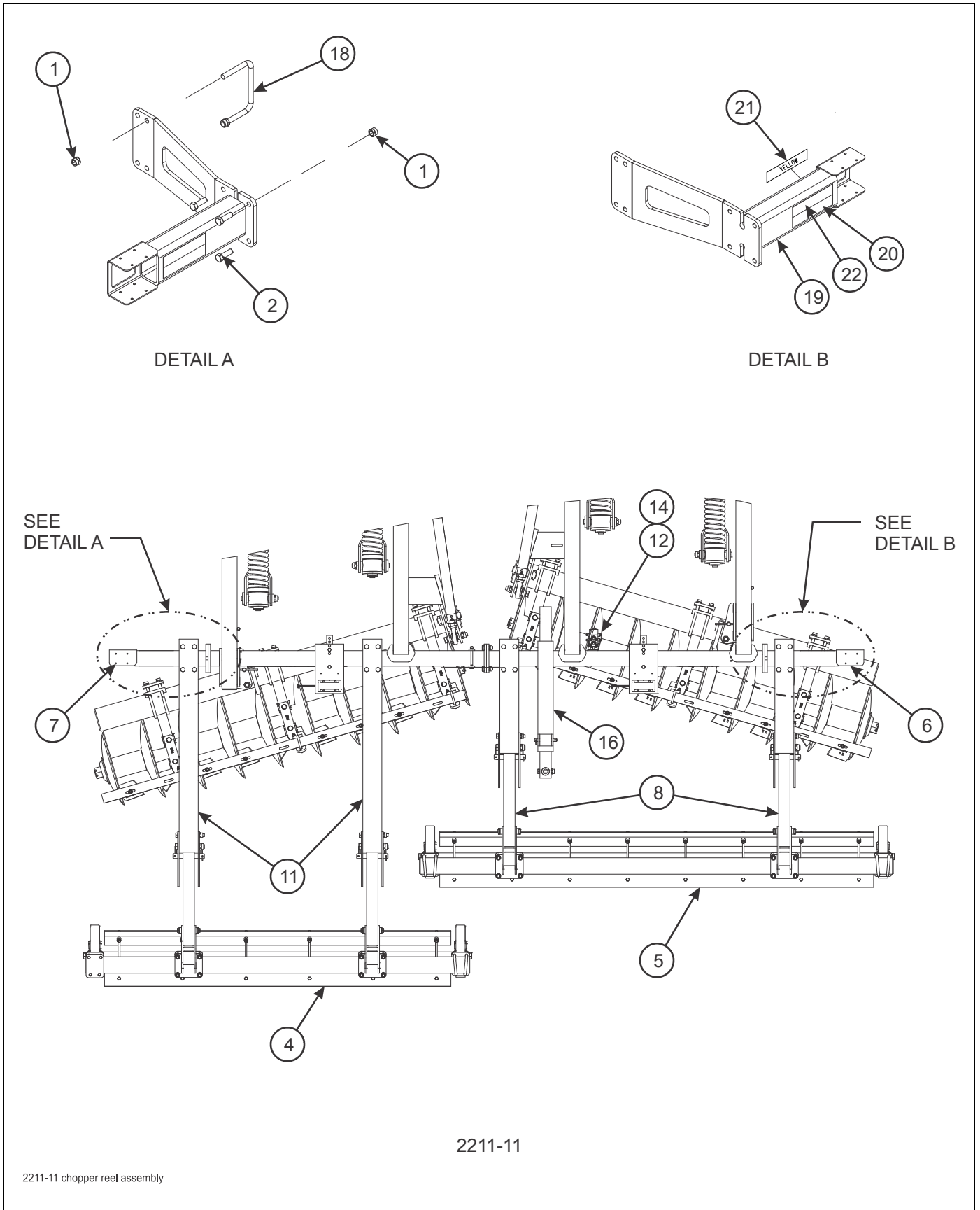
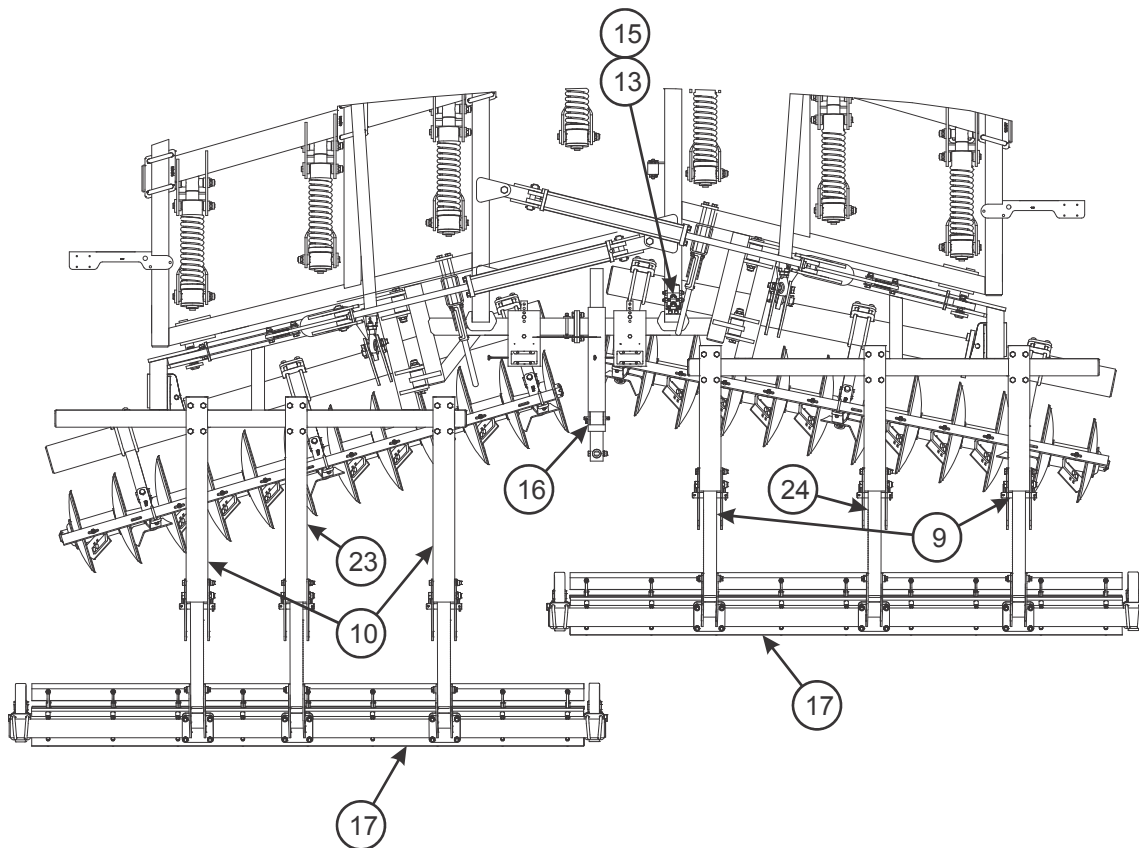


Figure 2-36: Hydraulic Chopper Reel Assembly (2211-11) (2 of 3)

ILLUSTRATED PARTS LIST



2211-13/15

NOTE: CENTER ARMS (ITEMS 23 AND 24) ARE NOT HYDRAULIC.

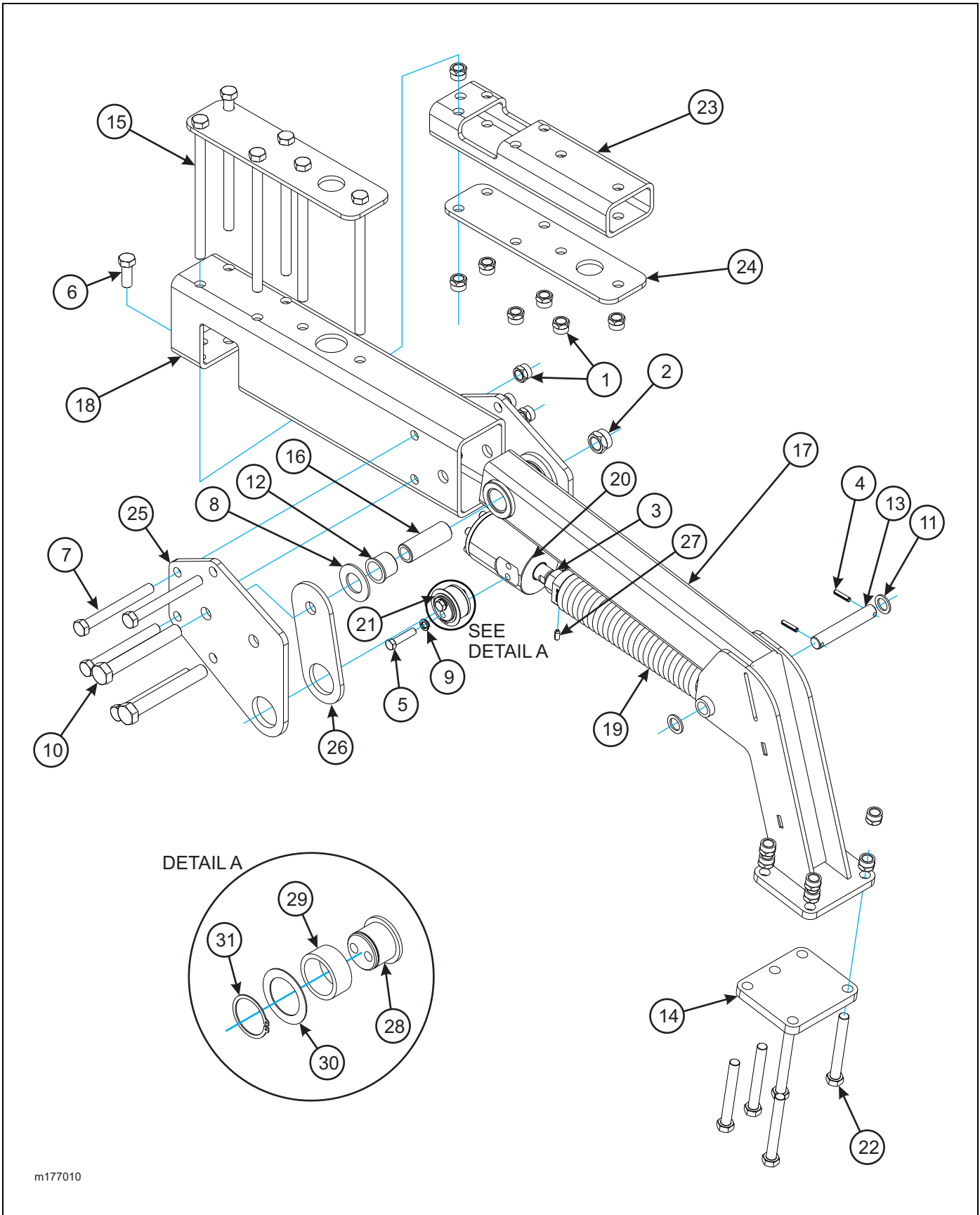
2211-13-15 hyd chopper reel assembly

Figure 2-37: Hydraulic Chopper Reel Assembly (2211-13/15) (3 of 3)

HYDRAULIC CHOPPER REEL ASSEMBLY

ITEM	PART NO.	DESCRIPTION	QTY.		
	177018	HYDRAULIC CHOPPER REEL ASSEMBLY (2211-09)	*		
	177019	HYDRAULIC CHOPPER REEL ASSEMBLY (2211-11)		*	
	177020	HYDRAULIC CHOPPER REEL ASSEMBLY (2211-13 & -15)			*
1	1-512-010005-15	NUT, HEX LOCK 3/4-10 GRB	16	16	8
2	1-654-010061-06	SCREW, HEX HEAD CAP 3/4-10 X 2-1/4 GR5	8	8	8
3	154407	REEL/GANG BAR ASSEMBLY 82" (SEE PAGE 2-69)	1	--	--
4	154409	REEL/GANG BAR ASSEMBLY 91"(SEE PAGE 2-69)	--	1	--
5	154410	REEL/GANG BAR ASSEMBLY 114" (SEE PAGE 2-69)	1	1	--
6	155549	LIGHT BRACKET ASSEMBLY, RH W/ REF (INCL ITEMS 15 - 18)	1	1	--
7	155550	LIGHT BRACKET ASSEMBLY, LH W/ REF (INCL ITEMS 15 - 18)	1	1	--
8	177010	HYDRAULIC ARM ASSEMBLY, 30" (SEE PAGE 2-59)	2	2	--
9	177011	HYDRAULIC ARM ASSEMBLY, 34" (SEE PAGE 2-59)	--	--	2
10	177012	HYDRAULIC ARM ASSEMBLY, 48" (SEE PAGE 2-59)	--	--	2
11	177013	HYDRUALIC ARM ASSEMBLY, 56" (SEE PAGE 2-59)	2	2	--
12	177006	HYDRAULIC KIT, 2211-9/11 CHOPPER REELS (SEE PAGE 2-63)	1	1	--
13	177007	HYDRAULIC KIT, 2211-13/15 CHOPPER REELS (SEE PAGE 2-65)	--	--	1
14	177008	HOSE KIT, 2211-9/11 HYD CHOP (SEE PAGE 2-63)	1	1	--
15	177009	HOSE KIT, 2211-13/15 HYD CHOP (SEE PAGE 2-65)	--	--	1
16	160600	REAR JACK ASSEMBLY (SEE PAGE 2-23)	1	1	1
17	155595	REEL/GANGBAR ASSEMBLY 129" (SEE PAGE 2-69)	--	--	2
18	165556	U-BOLT	4	4	--
19	155546	EXTENSION, LIGHT ARM	1	1	--
20	528933	REFLECTOR, RED 2 X 9	1	1	--
21	528934	REFLECTOR, YELLOW 2 X 9	1	1	--
22	528938	FLUORESCENT MATERIAL 2 X 9	1	1	--
23	177017	ARM ASSEMBLY, 48" (SEE PAGE 2-61)	--	--	1
24	177016	ARM ASSEMBLY, 34" (SEE PAGE 2-61)	--	--	1

ILLUSTRATED PARTS LIST



m177010

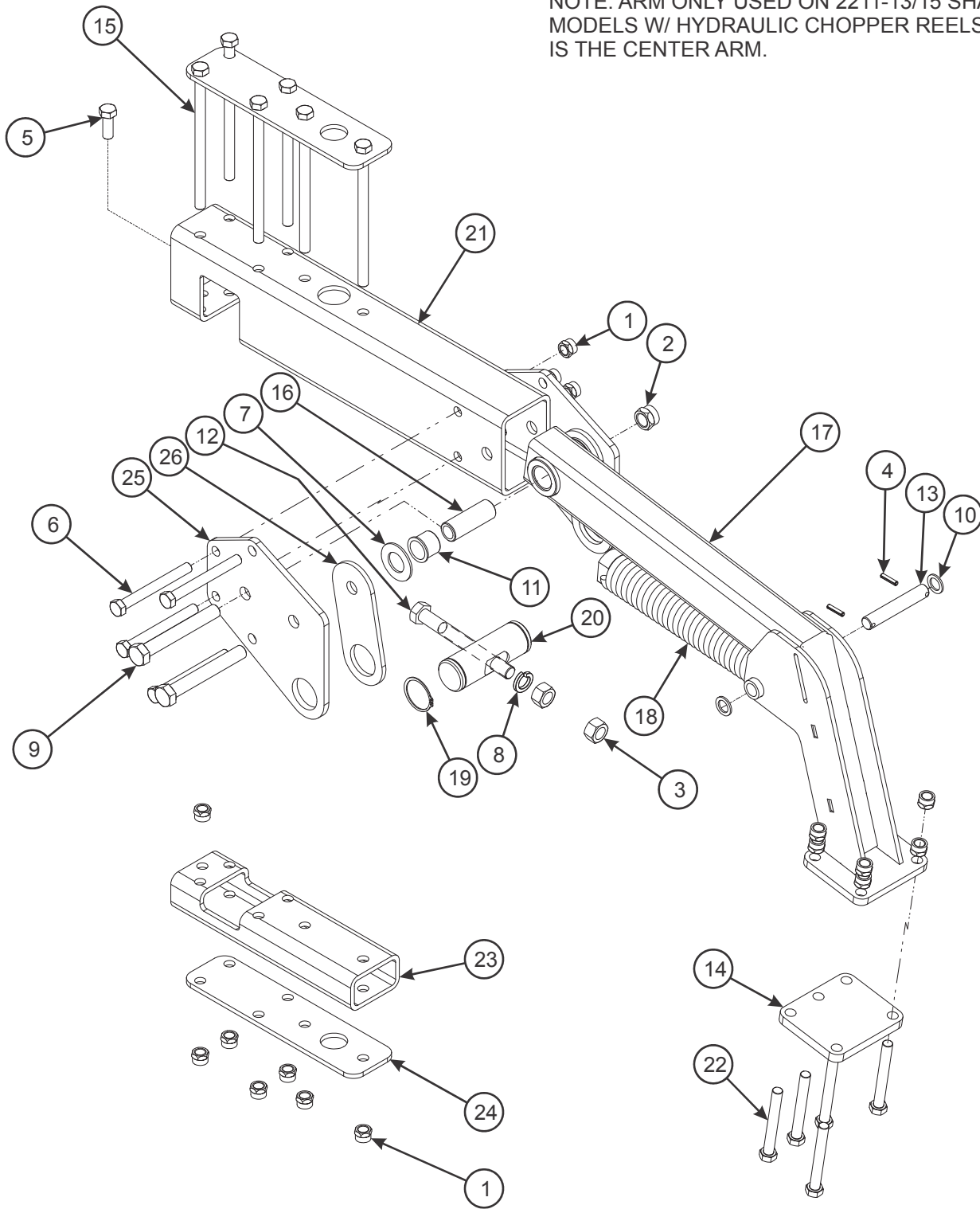
Figure 2-38: Hydraulic Tubular Mount Chopper Reel Arm Assembly

HYDRAULIC TUBULAR MOUNT CHOPPER REEL ARM ASSEMBLY

ITEM	PART NO.	DESCRIPTION	QTY.			
	177011	HYDRAULIC ARM ASSEMBLY, 34"	*			
	177012	HYDRAULIC ARM ASSEMBLY, 48"		*		
	177010	HYDRAULIC ARM ASSEMBLY, 30"			*	
	177013	HYDRAULIC ARM ASSEMBLY, 56"				*
1	1-512-010005-15	NUT, HEX LOCK 3/4-10 GRB	19	19	19	19
2	1-512-010005-19	NUT, HEX LOCK 1-8 GRB	1	1	1	1
3	1-512-010007-14	NUT, HEX 1-8 GRB (BEFORE 6-8-2017)	1	1	1	1
	206675	NUT, 1-1/8 -12 UNF, Z/P GR 2 (AFTER 6-8-2017)	1	1	1	1
4	1-647-010004236	SPRING PIN, SLOTTED 5/16 X 1-1/2	2	2	2	2
5	1-654-010055-05	SCREW, HEX HEAD CAP 1/2-13 X 2 GR5 (BEFORE 6-8-2017)	4	4	4	4
	169690	SCREW HXCP1/2-13UNCX2-1/4 G5 (AFTER 6-8-2017)	4	4	4	4
6	1-654-010061-05	SCREW, HEX HEAD CAP 3/4-10 X 2 GR5	1	1	1	1
7	1-654-010061-19	SCREW, HEX HEAD CAP 3/4-10 X 7 GR5	2	2	2	2
8	1-861-010032-32	WASHER, FLAT 1-1/2	2	2	2	2
9	1-861-010034-13	WASHER, SPLIT LOCK 1/2	4	4	4	4
10	100856	SCREW, HEX HEAD CAP 1-8 X 7-1/2 GR5	1	1	1	1
11	117957	MACHINERY BUSHING	2	2	2	2
12	140599	BEARING, FLANGE 1-1/2	2	2	2	2
13	154392	PIN, PIVOT	1	1	1	1
14	154748P	PLATE, GANG BAR MOUNT	1	1	1	1
15	155345	SCREW, HEX HEAD CAP 3/4-10 X 12 GR5	6	6	6	6
16	156152	BUSHING, PIVOT 4-1/4	1	1	1	1
17	157950	ARM, REEL	1	1	1	1
18	160670	TUBE, HARROW ARM 34"	1	--	--	--
	156143	TUBE, HARROW ARM 48"	--	1	--	--
	158785	TUBE, HARROW ARM 30"	--	--	1	--
	158787	TUBE, HARROW ARM 56"	--	--	--	1
19	158795	SPRING ASSEMBLY, 17" (BEFORE 6-8-2017)	1	1	1	1
	206652	SPRING ASSY 17" 1-1/8 THD (AFTER 6-8-2017)	1	1	1	1
20	171076	CYLINDER, 2-1/2 X 1-1/2 STROKE (SEE PAGE 2-67) (BEFORE 6-8-2017)	1	1	1	1
	206598	CYL ASM 2-1/2X1-1/2 ST1-1/8THD (AFTER 6-8-2017)	1	1	1	1
21	172534	TRUNNION, CYLINDER (BEFORE 2-20-2016)	2	2	2	2
	198321	ASSY, TRUNION MOUNT 1-5/8" (AFTER 2-20-2016) (INCLUDES ITEMS 28-31)	2	2	2	2
22	172884	SCREW, HEX HEAD CAP 3/4-10 X 6 GR8	4	4	4	4
23	177004	PLATE, SUPPORT	1	1	1	1
24	177005	TUBE, ARM SUPPORT	2	2	2	2
25	177014	PLATE, CYLINDER MOUNT	2	2	2	2
26	177015	PLATE, SPACER	2	2	2	2
27	1P444	SET SCREW, 3/8-16 X 3/4 NYLON (AFTER 6-8-2017)	1	1	1	1
28	188528	TRUNION, CYLINDER	1	1	1	1
29	188531	TRUNION, BEARING	1	1	1	1
30	109895	WASHER, 3ODX2-1/16X14GA	1	1	1	1
31	188530	SNAP RING, 2 SHAFT	1	1	1	1

ILLUSTRATED PARTS LIST

NOTE: ARM ONLY USED ON 2211-13/15 SHANK MODELS W/ HYDRAULIC CHOPPER REELS. THIS IS THE CENTER ARM.



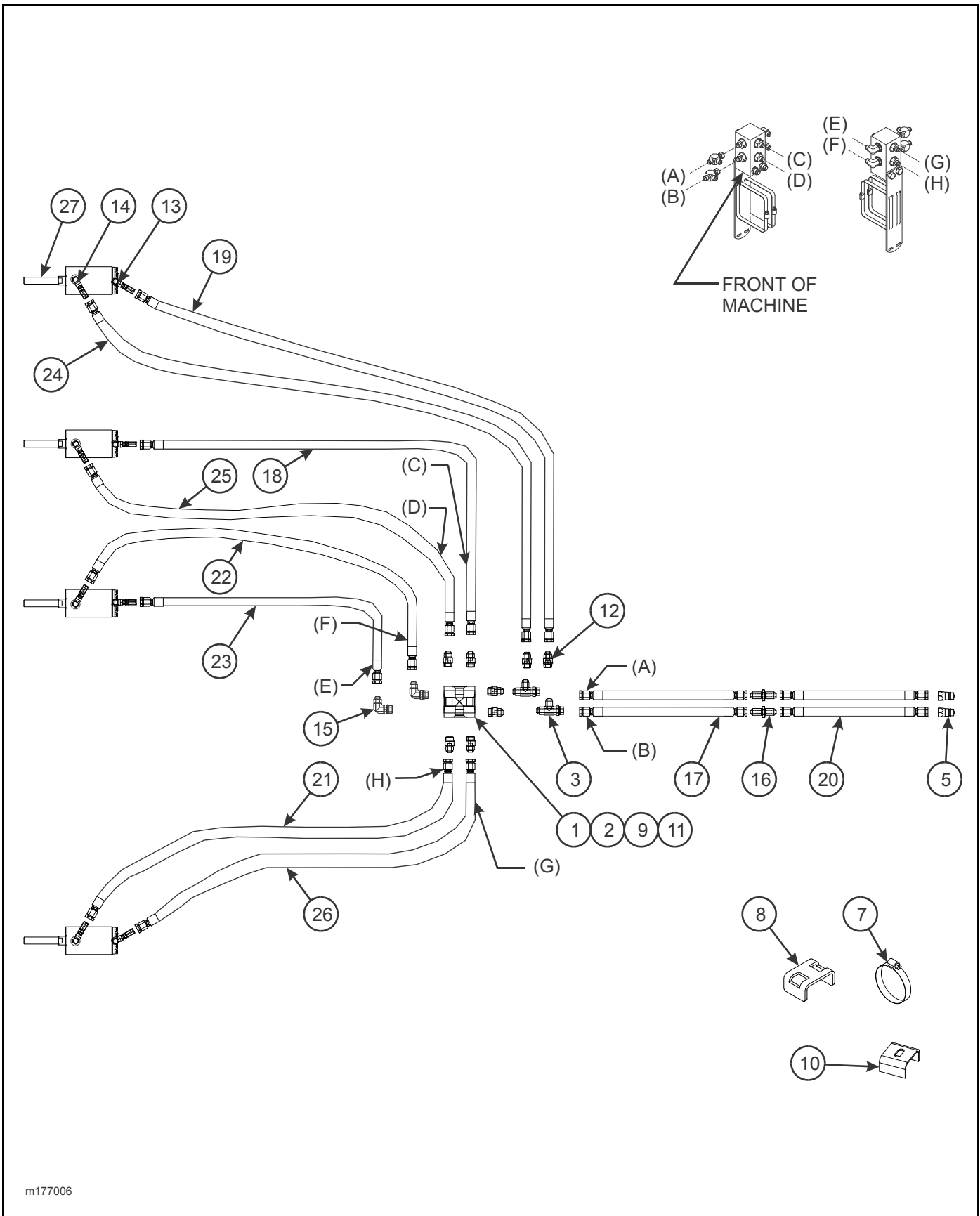
m177016

Figure 2-39: Tubular Mount Chopper Reel Arm Assembly

TUBULAR MOUNT CHOPPER REEL ARM ASSEMBLY

ITEM	PART NO.	DESCRIPTION	QTY.	
	177016	ARM ASSEMBLY, 34"	*	
	177017	ARM ASSEMBLY, 48"		*
1	1-512-010005-15	NUT, HEX LOCK 3/4-10 GRB	19	19
2	1-512-010005-19	NUT, HEX LOCK 1-8 GRB	1	1
3	1-512-010007-14	NUT, HEX 1-8 GRB	2	2
4	1-647-010004236	ROLL PIN, SLOTTED 5/16 X 1-1/2	2	2
5	1-654-010061-05	SCREW, HEX HEAD CAP 3/4-10 X 2 GR5	1	1
6	1-654-010061-19	SCREW, HEX HEAD CAP 3/4-10 X 7 GR5	2	2
7	1-861-010032-32	WASHER, FLAT 1-1/2N	2	2
8	1-861-010034-21	WASHER, SPLIT LOCK 1	1	1
9	100856	SCREW, HEX HEAD CAP 1-8 X 7-1/2 GR5	1	1
10	117957	MACHINERY BUSHING	2	2
11	140599	BEARING, FLANGE 1-1/2	2	2
12	152210	BOLT, SPRING ADJ 1 X 9	1	1
13	154392	PIN, PIVOT	1	1
14	154748P	PLATE, GANGBAR MOUNT	1	1
15	155345	SCREW, HEX HEAD CAP 3/4-10 X 12 GR5	6	6
16	156152	BUSHING, PIVOT - 4-1/4	1	1
17	157950	ARM, REEL	1	1
18	158795	SPRING ASSEMBLY, 17"	1	1
19	158896	SNAP RING, 2-1/2 SHAFT	2	2
20	160199	PIN, ADJ 7-1/4 W/ SNAP RING	1	1
21	160670	TUBE, HARROW ARM 34"	1	--
	156143	TUBE, HARROW ARM 48"	--	1
22	172884	SCREW, HEX HEAD CAP 3/4-10 X 6 GR8	5	5
23	177004	TUBE, ARM SUPPORT	1	1
24	177005	PLATE, SUPPORT	2	2
25	177014	PLATE, CYLINDER MOUNT	2	2
26	177015	PLATE, SPACER	2	2

ILLUSTRATED PARTS LIST



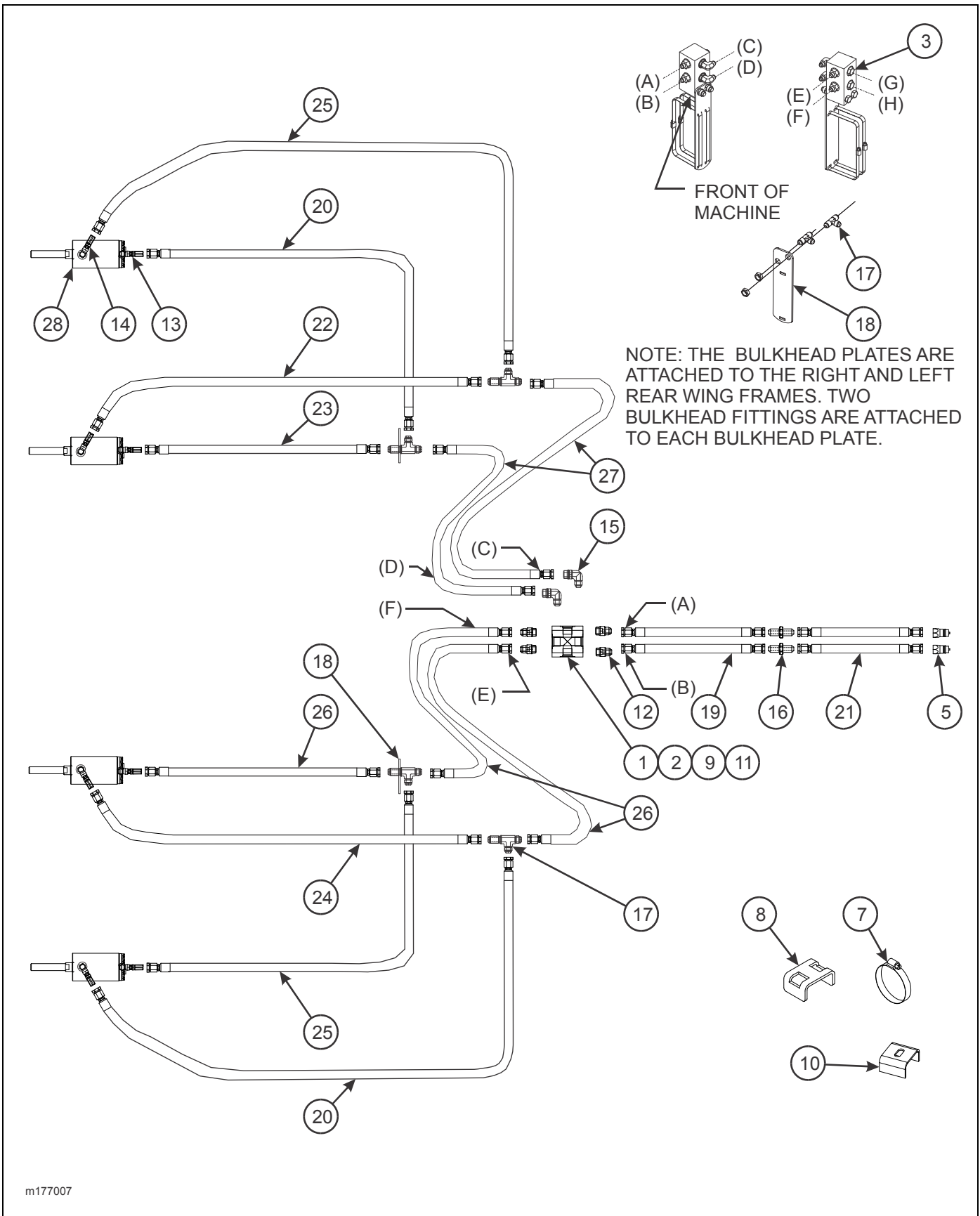
m177006

Figure 2-40: 2211-09/11 Hydraulic Chopper Reel Hydraulic Assembly

2211-09/11 CHOPPER REEL HYDRAULIC ASSEMBLY

ITEM	PART NO.	DESCRIPTION	QTY.	
	177006	HYDRAULIC KIT, 2211-9/11 CHOPPER REELS	1	--
	177008	HOSE KIT, 2211-9/11 HYD CHOP	--	1
1	1-512-010005-09	NUT, HEX LOCK 1/2-13 GRB (NOT SHOWN)	2	--
2	1-654-010055-11	SCREW, HEX HEAD CAP 1/2-13 X 3-1/2 GR5	2	--
3	102-1158	TEE, RUN-SWIVEL	2	--
4	105874	TIE SELF LOCKING 19" (NOT SHOWN)	12	--
5	141828	COUPLER, MALE 3/4-16	2	--
6	172973	HOSE WRAP, RED (NOT SHOWN)	1	--
7	172977	CLAMP, HOSE 2-1/2 - 8-1/2	7	--
8	174784	CLAMP, HOSE	5	--
9	177022	MOUNT, MANIFOLD	1	--
10	2-181-010001	HOSE CLAMP	1	--
11	2-474-010022	MANIFOLD, HYDRAULIC ASSEMBLY 8 PORT	1	--
12	202702-8-6S	ADAPTER	6	--
13	2061-6-6S	ADAPTER, 45	4	--
14	2062-6-6S	ADAPTER, 90	4	--
15	2062-8-6S	ELBOW, 90	2	--
16	87F5	ADAPTER, HYD UNION STRAIGHT	2	--
17	121334	HOSE ASSEMBLY 3/8 X 168	--	2
18	125648	HOSE ASSEMBLY 1/4 X 108	--	1
19	149007	HOSE ASSEMBLY 1/4 X 156	--	1
20	161493	HOSE ASSEMBLY 3/8 X 252	--	2
21	172978	HOSE ASSEMBLY 1/4 X 94	--	1
22	173013	HOSE ASSEMBLY 1/4 X 57	--	1
23	71500166	HOSE ASSEMBLY 1/4 X 52	--	1
24	71509002	HOSE ASSEMBLY 1/4 X 164	--	1
25	71509124	HOSE ASSEMBLY 1/4 X 116	--	1
26	7779-90	HOSE ASSEMBLY 1/4 X 90	--	1
27	171076	CYLINDER, 2-1/2 X 1-1/2 STROKE (SEE PAGE 2-67) (BEFORE 6-8-2017)	REF	REF
	206598	CYL ASM 2-1/2X1-1/2 ST1-1/8THD (SEE PAGE 2-67) (AFTER 6-8-2017)	REF	REF

ILLUSTRATED PARTS LIST



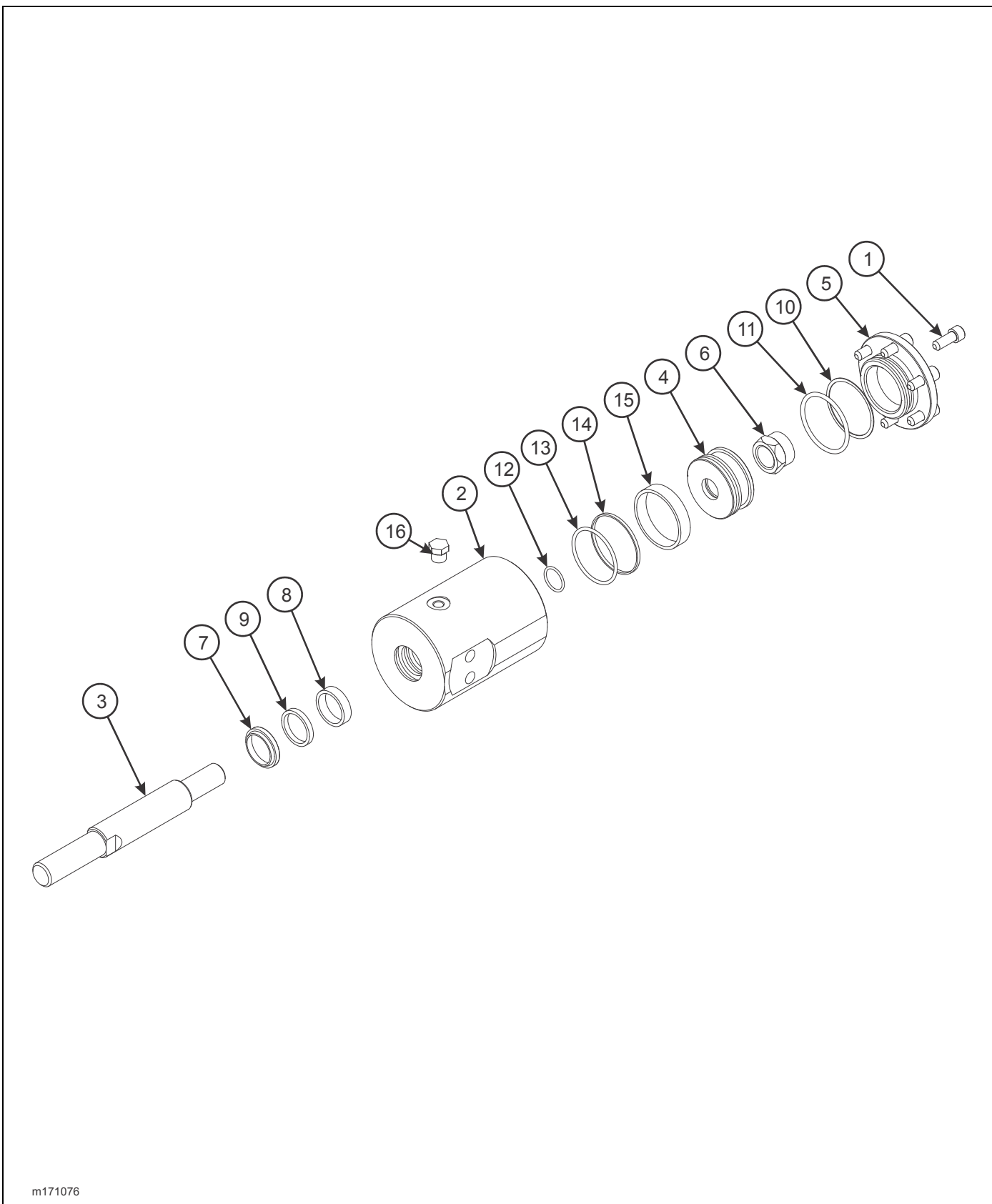
m177007

Figure 2-41: 2211-13/15 Hydraulic Chopper Reel Hydraulic Assembly

2211-13/15 CHOPPER REEL HYDRAULIC ASSEMBLY

ITEM	PART NO.	DESCRIPTION	QTY.	
	177007	HYDRAULIC KIT, 2211-13/15 CHOPPER REELS	1	--
	177009	HOSE KIT, 2211-13/15 HYD CHOP	--	1
1	1-512-010005-09	NUT, HEX LOCK 1/2-13 GRB (NOT SHOWN)	2	--
2	1-654-010055-11	SCREW, HEX HEAD CAP 1/2-13 X 3-1/2 GR5	2	--
3	1-007-010025	PLUG, 3/4-16	2	--
4	105874	TIE SELF LOCKING 19" (NOT SHOWN)	12	--
5	141828	COUPLER, MALE 3/4-16	2	--
6	172973	HOSE WRAP, RED (NOT SHOWN)	1	--
7	172977	CLAMP, HOSE 2-1/2 - 8-1/2	10	--
8	174784	CLAMP, HOSE	6	--
9	177022	MOUNT, MANIFOLD	1	--
10	2-181-010001	HOSE CLAMP	1	--
11	2-474-010022	MANIFOLD, HYDRAULIC ASSEMBLY 8 PORT	1	--
12	202702-8-6S	ADAPTER	4	--
13	2061-6-6S	ADAPTER, 45	4	--
14	2062-6-6S	ADAPTER, 90	4	--
15	2062-8-6S	ELBOW, 90	2	--
16	87F5	ADAPTER, HYD UNION STRAIGHT	2	--
17	162569	TEE, BULKHEAD RUN	4	--
18	172992	PLATE, BULKHEAD	2	--
19	121334	HOSE ASSEMBLY 3/8 X 168	--	2
20	125648	HOSE ASSEMBLY 1/4 X 108	--	2
21	161493	HOSE ASSEMBLY 3/8 X 252	--	2
22	172981	HOSE ASSEMBLY 1/4 X 50	--	1
23	71500165	HOSE ASSEMBLY 1/4 X 46	--	1
24	71509009	HOSE ASSEMBLY 1/4 X 36	--	1
25	71509123	HOSE ASSEMBLY 1/4 X 104	--	2
26	7779-34	HOSE ASSEMBLY 1/4 X 34	--	3
27	7779-78	HOSE ASSEMBLY 1/4 X 78	--	2
28	171076	CYLINDER, 2-1/2 X 1-1/2 STROKE (SEE PAGE 2-67) (BEFORE 6-8-2017)	REF	REF
	206598	CYL ASM 2-1/2X1-1/2 ST1-1/8THD (SEE PAGE 2-67) (AFTER 6-8-2017)	REF	REF

ILLUSTRATED PARTS LIST



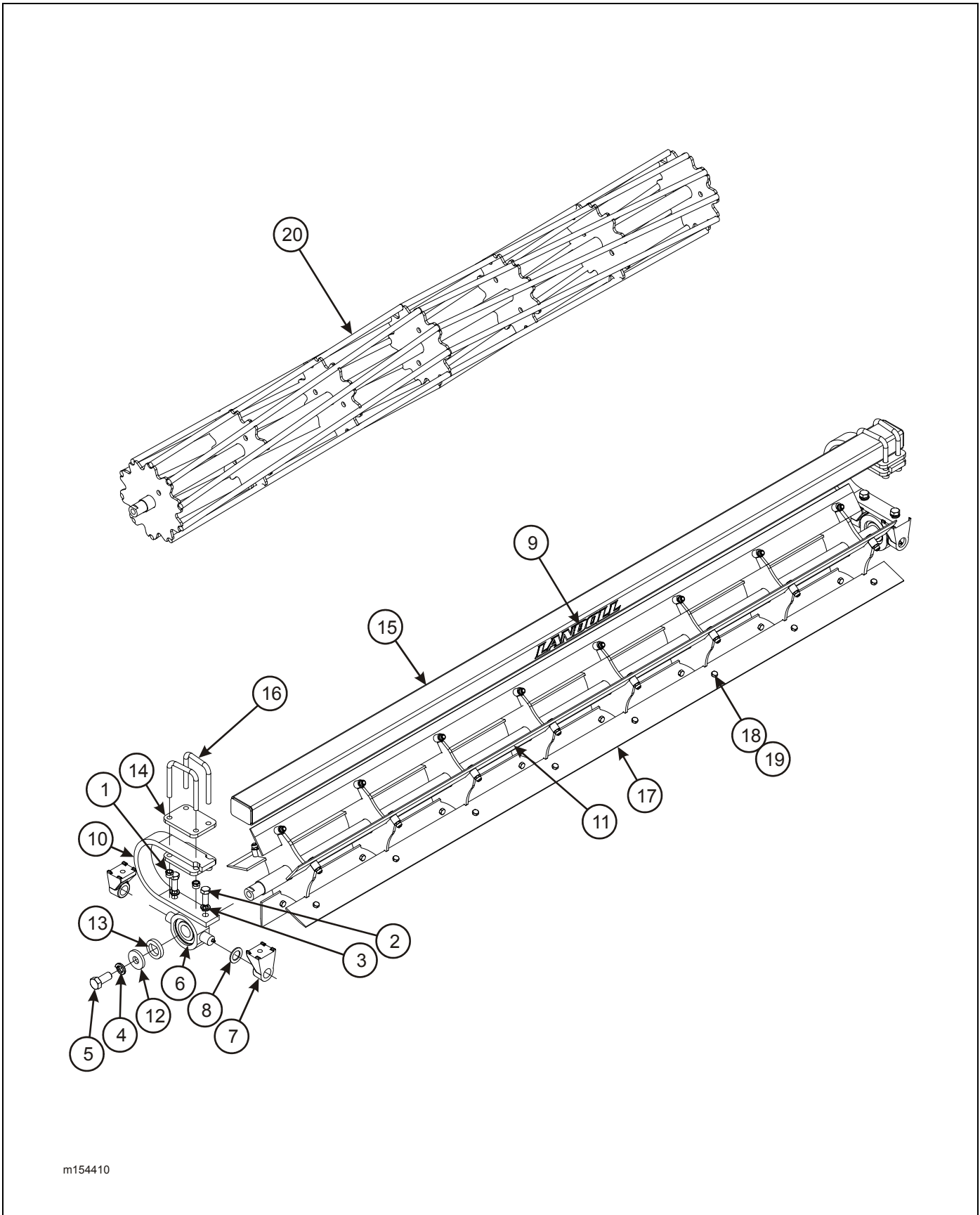
m171076

Figure 2-42: 2-1/2 x 1-1/2 Hydraulic Cylinder

2-1/2 X 1-1/2 HYDRAULIC CYLINDER

ITEM	PART NO.	DESCRIPTION	QTY.
	171076	CYLINDER, HYDRAULIC 2-1/2 X 1-1/2 (BEFORE 6-8-2017)	
	206598	CYL ASM 2-1/2X1-1/2 ST1-1/8THD (AFTER 6-8-2017)	
1	1-654-010104245	SCREW, HEX SOCKET 3/8-16 X 1	6
2	171077	CYLINDER, BARREL	1
3	171078	ROD, 1-1/4 (1" THREADS) (BEFORE 6-8-2017)	1
	206599	ROD, 1-1/4 (1-1/8" THREADS) (AFTER 6-8-2017)	1
4	171079	PISTON, 2-1/2	1
5	171080	BASE CAP 2-1/2	1
6	171093	NUT, HEX LOCK 7/8-14 GRC	1
7	-----	WIPER, 1-1/4 ROD	1
8	-----	WEAR RING, 1-1/4 ROD	1
9	-----	U-CUP 1-1/4 ROD	1
10	-----	BACKUP RING - CAP	1
11	-----	O-RING - CAP	1
12	-----	O-RING - PISTON	1
13	-----	O-RING - PISTON	1
14	-----	SEAL, 2-1/2 PISTON	1
15	-----	WEAR RING 2-1/2 PISTON	1
16	900598-6S	PLUG, O-RING 9/16-18	2
	171081	SEAL KIT (INCL. ITEMS 7 - 15)	

ILLUSTRATED PARTS LIST



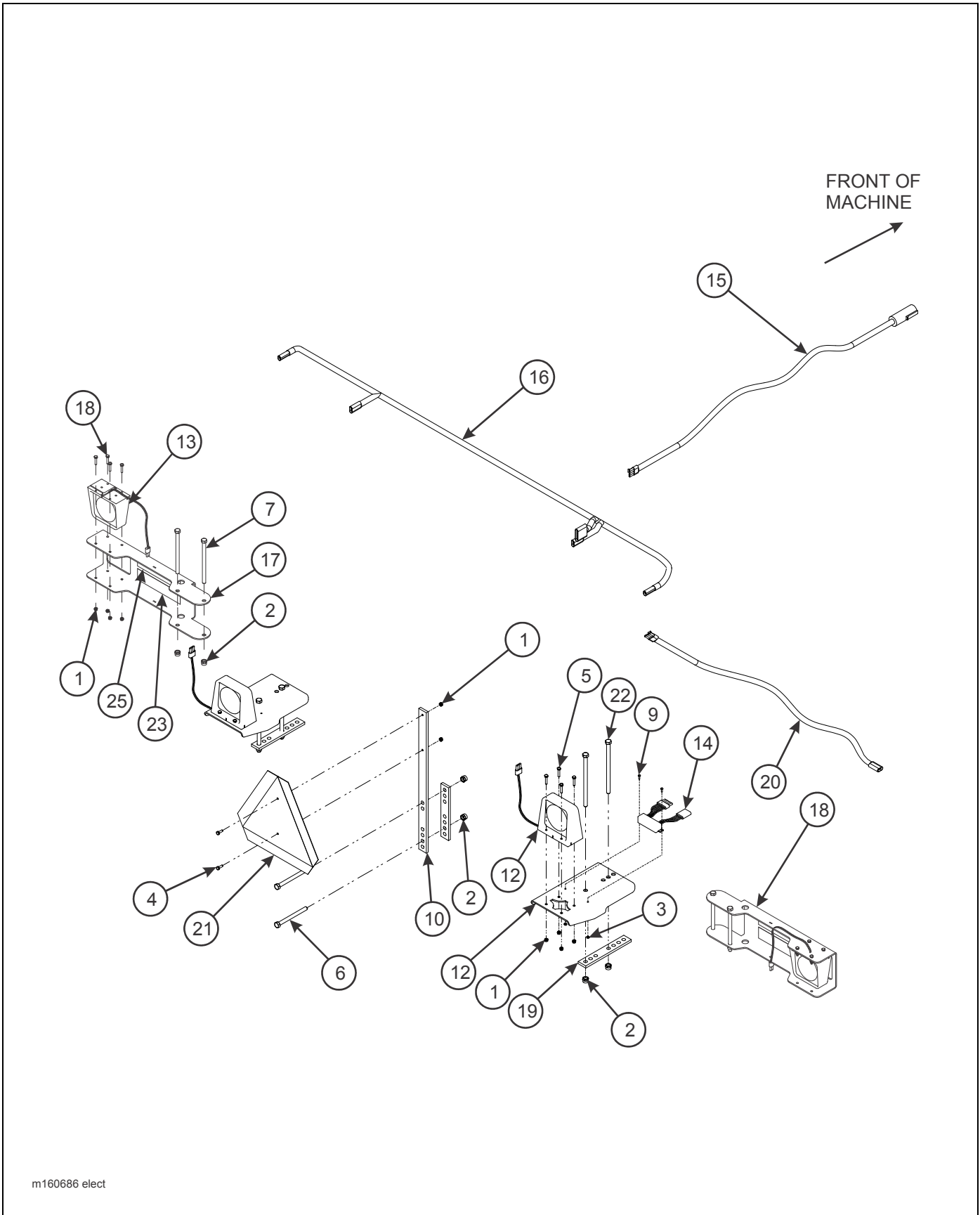
m154410

Figure 2-43: Reel/Gang Bar Assembly

REEL/GANGBAR ASSEMBLY

ITEM	PART NO.	DESCRIPTION	QTY.
	154407	REEL/GANGBAR 82"	
	154409	REEL/GANGBAR 91"	
	155595	REEL/GANGBAR 129"	
	154410	REEL/GANGBAR 114"	
	154684	CONDITIONER REEL/GANGBAR ASSY 82"	
	156125	CONDITIONER REEL/GANGBAR ASSY 129"	
	154686	CONDITIONER REEL/GANGBAR ASSY 91"	
	154687	CONDITIONER REEL/GANGBAR ASSY 114"	
1	1-512-010005-13	NUT, HEX LOCK 5/8-11 GRB	8
2	1-654-010032-05	SCREW, HEX HEAD CAP 3/4-10 X 2 GR8	4
3	1-861-010034-17	WASHER, SPLIT LOCK 3/4	4
4	1-861-010034-21	WASHER, SPLIT LOCK 1"	2
5	137943	SCREW, HEX HEAD CAP 1-8 X 2-1/4 GR5	2
6	140477	BEARING, DISC 1.775 ID ASSEMBLY	2
7	140479	MOUNT, TRUNNION BEARING	4
8	140480	WASHER, TRUNNION	2
9	148337	ATTACHMENT DECAL, LANDOLL	1
10	153716	SHANK, STRAIGHT 3/4 X 2-1/2	2
11	154181	REEL ASSEMBLY, 82" BLADE (154407)	1
	154184	REEL ASSEMBLY, 91" BLADE (154409)	1
	155591	REEL ASSEMBLY 129" BLADE (155595)	1
	154182	REEL ASSEMBLY 114" BLADE (154410)	1
12	154185	WASHER, 3/8	2
13	154186	WASHER, FLAT TOP	2
14	154393	PLATE, SHANK MOUNT	4
15	154656	GANG BAR, 92" REEL 82" (154407)	1
	154658	GANG BAR, 101" REEL 91" (154409)	1
	155594	GANG BAR, 139" REEL 129" (155595)	1
	154659	GANG BAR, 124" REEL 114" (154410)	1
16	6-102-010009	U-BOLT	4
17	8-622-010007	BLADE, REEL 82" (154407)	AR
	8-622-010012	BLADE, REEL 91" (154409)	AR
	155589	REEL BLADE 129" (155595)	AR
	8-622-010081	REEL BLADE 114" (154410)	AR
18	1-654-010055-05	SCREW, HEX HEAD CAP 1/2-13 X 2 GR5	AR
19	1-512-010005-09	NUT, HEX LOCK 1/2-13 GRB	AR
20	154689	CONDITIONER REEL 82" (154684)	1
	154691	CONDITIONER REEL 91" (154686)	1
	156124	CONDITIONER REEL 129" (156125)	1
	154692	CONDITIONER REEL 114" (154687)	1

ILLUSTRATED PARTS LIST



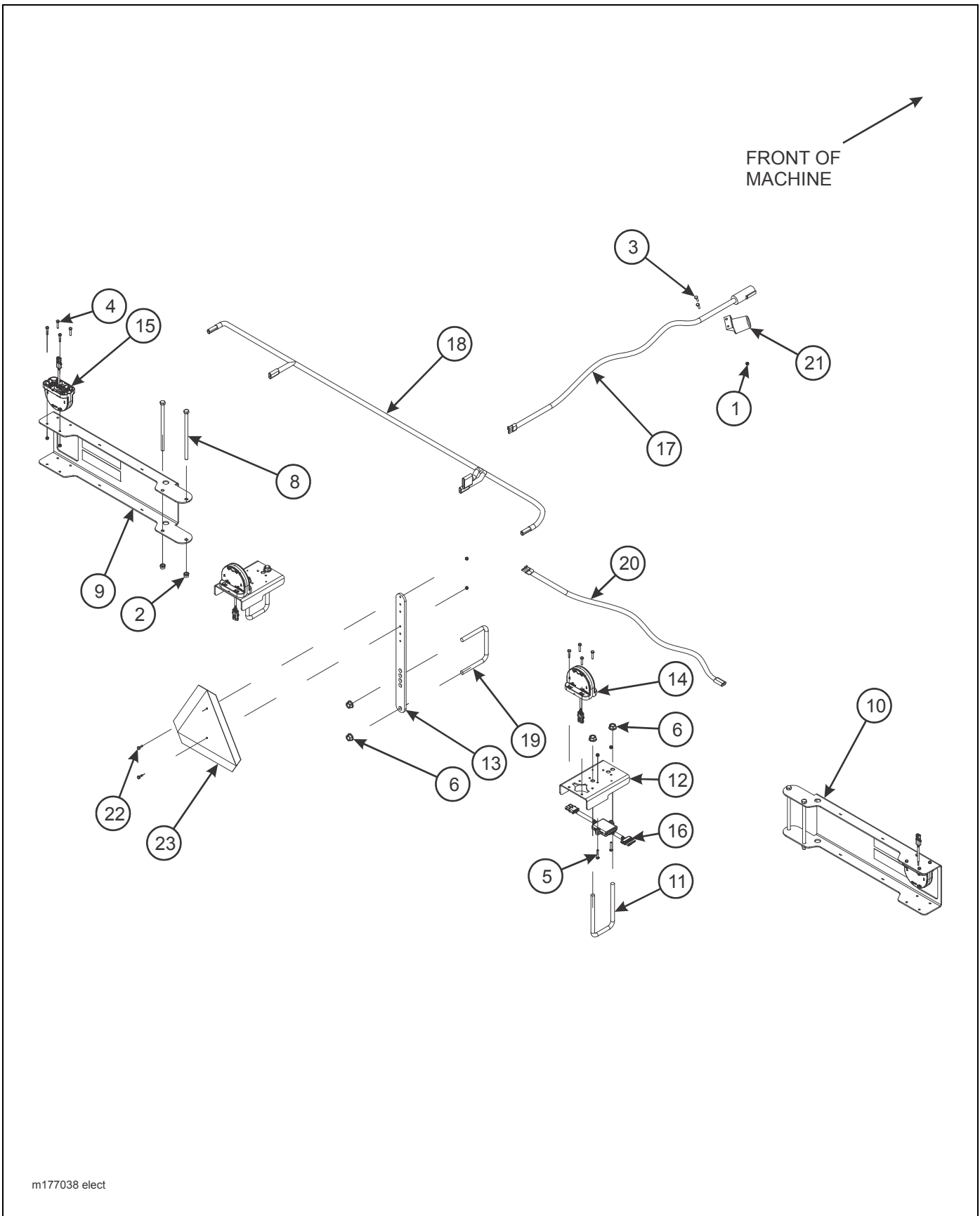
m160686 elect

Figure 2-44: Electrical Installation (Prior to August, 2013)

ELECTRICAL ASSEMBLY (PRIOR TO AUGUST, 2013)

ITEM	PART NO.	DESCRIPTION	QTY.
	160686	LIGHT KIT, SHORT (2211-09)	
	160687	LIGHT KIT, LONG (2211-11)	
	160694	LIGHT KIT (2211-13 & -15)	
1	1-512-010005-01	NUT, HEX LOCK 1/4-20 GRB	18
2	1-512-010005-09	NUT, HEX LOCK 1/2-13 GRB	6
3	1-512-010007-02	NUT, HEX 8-32	2
4	1-654-010047-04	SCREW HEX CAP 1/4-20 X 3/4 GR5	2
5	1-654-010047-07	SCREW HEX CAP 1/4-20 X 1-1/4 GR5	16
6	1-654-010055-16	SCREW HEX CAP 1/2-13 X 5-1/2 GR5	2
7	126368	SCREW, HEX HEAD CAP 1/2-13 X 9-1/2	4
8	105874	TIE SELF LOCKING 19" (NOT SHOWN)	15
9	107-0762	SCREW, SLOT PAN HEAD #8-32 X 1/2	2
10	108830	BRACKET MOUNTING, SMV	1
11	141574	BRACKET SUPPORT, TAIL LIGHT	2
12	141576	LAMP, RED W/ BRAKE	2
13	141577	LAMP, AMBER SINGLE	2
14	141578	LIGHTING MODULE, ENHANCED	1
15	141579	HARNESS, MAIN WARNING LIGHTS	1
16	141580	HARNESS, REAR WARNING LIGHTS	1
17	157556	BRACKET, LIGHT W/ REFLECTOR LH (2211-09, -13, -15)	1
	160689	BRACKET, LIGHT W/ REFLECTOR LH (2211-11)	1
18	157557	BRACKET, LIGHT W/ REFLECTOR RH (2211-09, -13, -15)	1
	160690	BRACKET, LIGHT W/ REFLECTOR RH (2211-11)	1
19	2-054-010461	BAR WARNING LIGHTS	3
20	2-368-010273	HARNESS, 34" EXTENSION	2
21	70260977	SMV EMBLEM	1
22	1-654-010055-22	SCREW, HEX HEAD CAP 1/2-13 X 8-1/2	4

ILLUSTRATED PARTS LIST



m177038 elect

Figure 2-45: Electrical Installation (After August, 2013)

ELECTRICAL ASSEMBLY (AFTER AUGUST, 2013)

ITEM	PART NO.	DESCRIPTION	QTY.
	177038	LIGHT KIT, SHORT (2211-09)	
	177039	LIGHT KIT, LONG (2211-11)	
	177040	LIGHT KIT (2211-13 & -15)	
1	1-512-010005-01	NUT, HEX LOCK 1/4-20 GRB	18
2	1-512-010005-09	NUT, HEX LOCK 1/2-13 GRB	4
3	1-654-010047-04	SCREW HEX CAP 1/4-20 X 3/4 GR5	2
4	1-654-010047-07	SCREW HEX CAP 1/4-20 X 1-1/4 GR5	16
5	1-654-010047-08	SCREW, HEX HEAD CAP 1/4-20 X 1-1/2 GR5	2
6	100827	NUT, FLANGE HEAD SERRATED 5/8-11	4
7	105874	TIE SELF LOCKING 19" (NOT SHOWN)	15
8	126368	SCREW, HEX HEAD CAP 1/2-13 X 9-1/2	4
9	157556	BRACKET, LIGHT W/ REFLECTOR LH (2211-09, -13, -15)	1
	160689	BRACKET, LIGHT W/ REFLECTOR LH (2211-11)	1
10	157557	BRACKET, LIGHT W/ REFLECTOR RH (2211-09, -13, -15)	1
	160690	BRACKET, LIGHT W/ REFLECTOR RH (2211-11)	1
11	157648	U-BOLT, HYDRAULIC MOUNT	2
12	164138	MOUNT, LIGHT TAIL	2
13	164142	BRACKET, SMV MOUNTING	1
14	174435	LAMP, AG RED SINGLE LED	2
15	174436	LAMP, AG AMBER SINGLE LED	2
16	174437	MODULE, AG FLASHER CONTROL	1
17	174438	HARNESS, MAIN WARNING LIGHT	1
18	174439	HARNESS, REAR WARNING LIGHT	1
19	2-102-010032	U-BOLT, CENTER SHANK MOUNT	1
20	2-368-010273	HARNESS, 34" EXTENSION	1
21	2-368-010287	HARNESS, STOR-AWAY	1
22	1-654-010047-06	SCREW, HEX HEAD CAP 1/4-20 X 1 GR5	2
23	70260977	SMV EMBLEM	1

ILLUSTRATED PARTS LIST

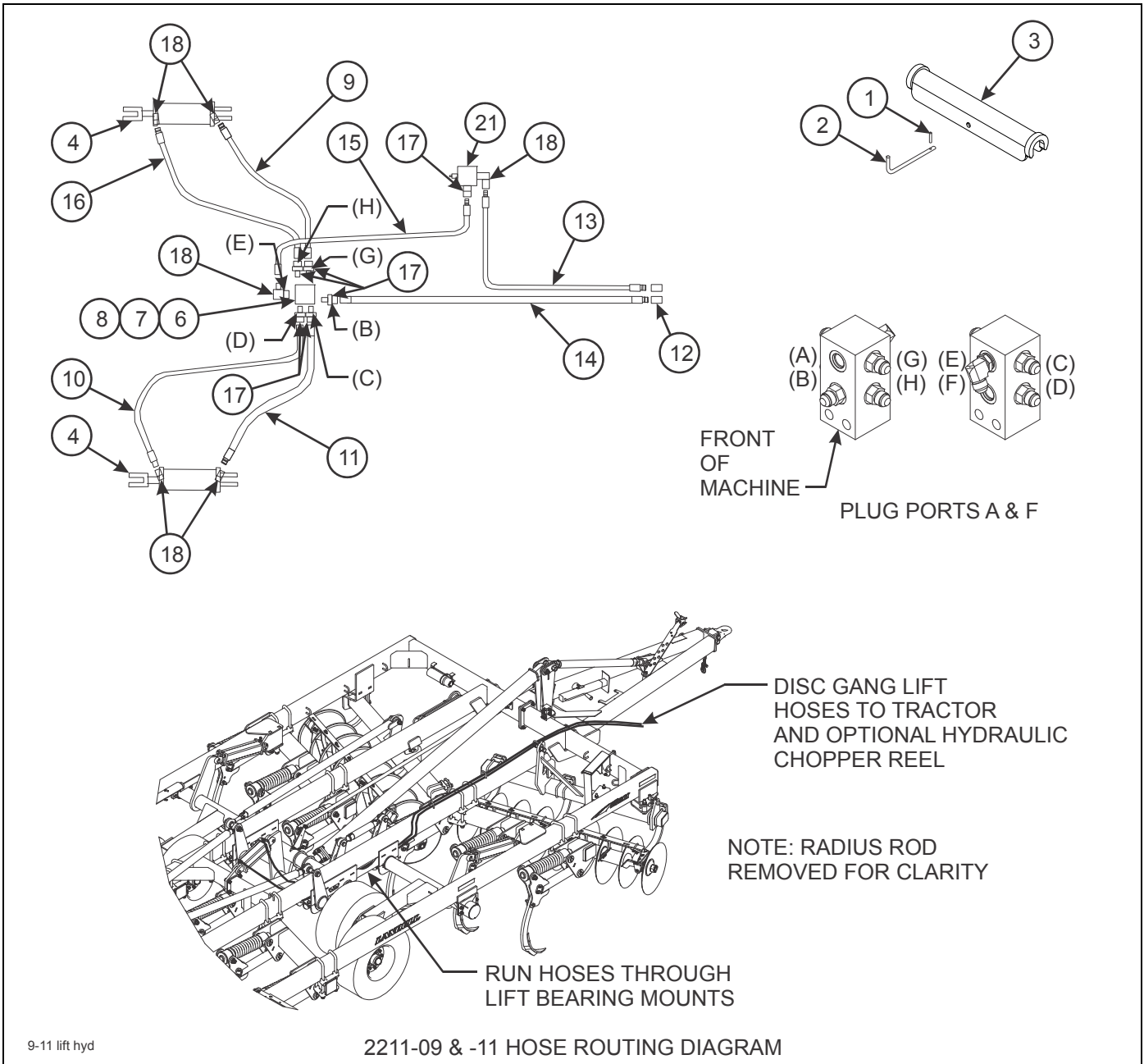


Figure 2-46: 2211-9-11 Lift Hydraulic Installation

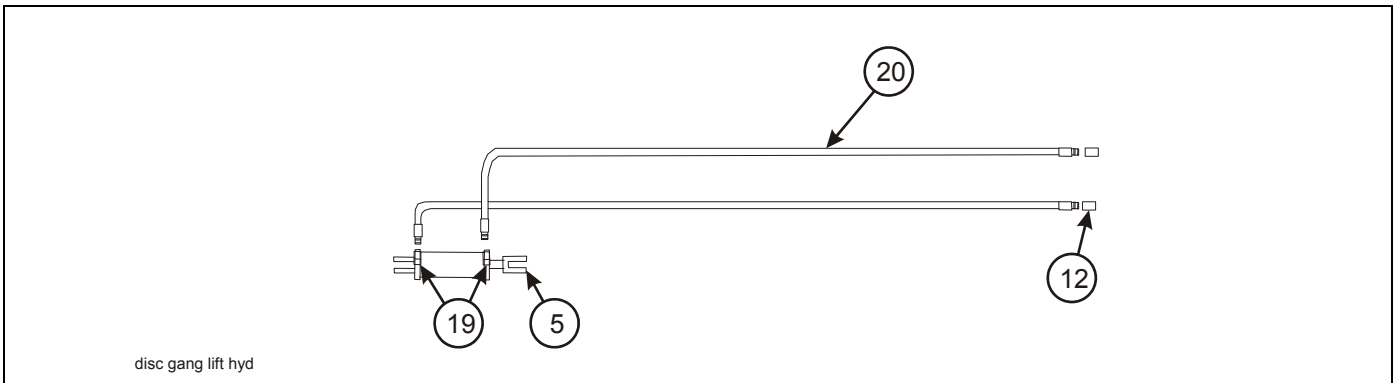
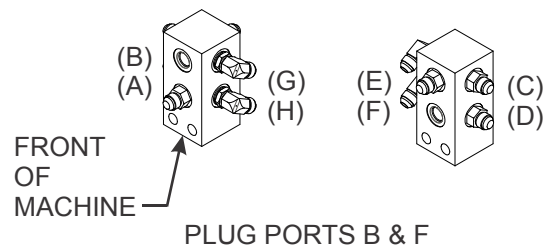
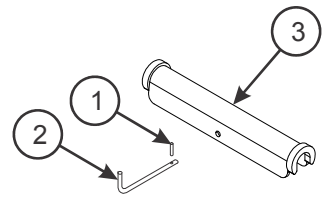
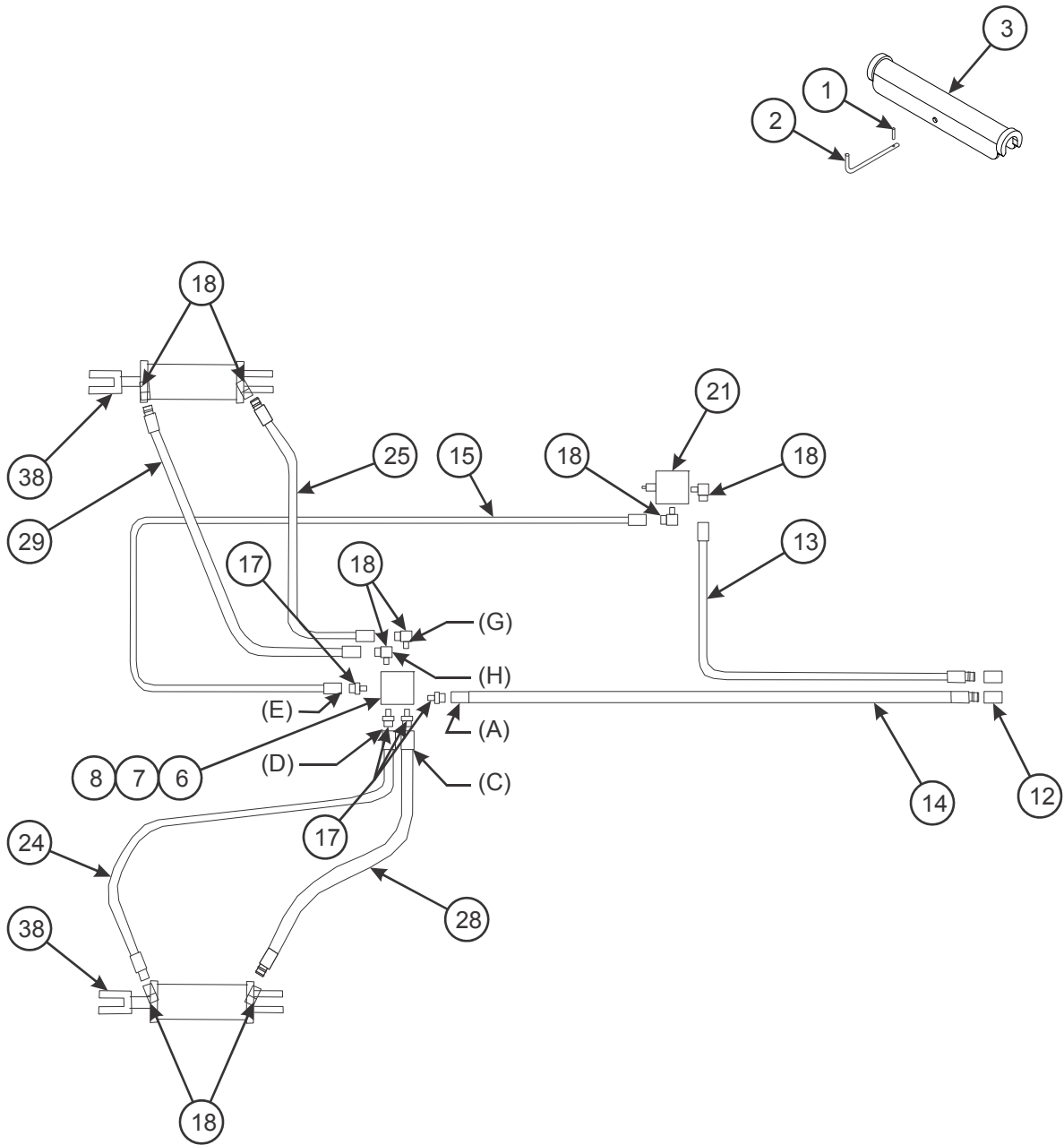


Figure 2-47: Disc Gang Lift Installation



13-15 lift hyd

Figure 2-48: 2211-13/15 Lift Hydraulic Installation

ILLUSTRATED PARTS LIST

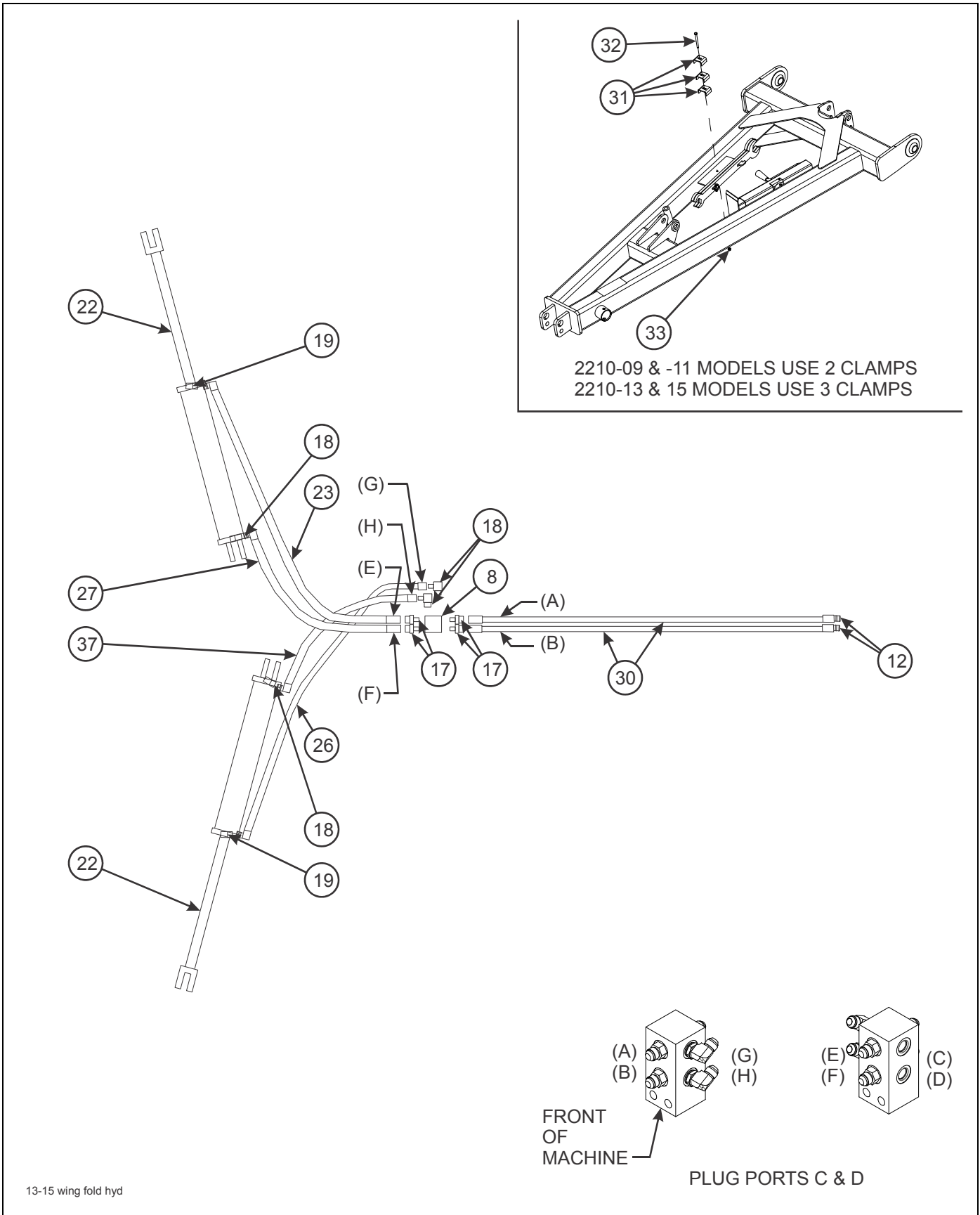


Figure 2-49: 2211-13/15 Fold Hydraulic Installation

HYDRAULIC ASSEMBLY

ITEM	PART NO.	DESCRIPTION	QTY.
1	1-557-010403	HAIRPIN, 1/8	
2	104358	L PIN, CYL STOP	
3	146828	LOCKOUT, 1-1/2 X 16	
4	145207	CYLINDER, 3-1/2 X 16 (2211-09 & -11) (SEE PAGE 2-85)	
5	148387	CYLINDER, 4 X 8 REPHASE (SEE PAGE 2-83)	
6	1-512-010005-09	NUT, HEX LOCK 1/2-13 GRB	
7	1-654-010055-11	SCREW, HEX HEAD CAP 1/2-13 X 3-1/2 GR5	
8	2-474-010022	MANIFOLD, HYDRAULIC ASSEMBLY 8 PORT	
9	122911	HOSE ASSEMBLY 3/8 X 168 (2211-09 & -11)	
10	141881	HOSE ASSEMBLY 3/8 X 136 (2211-09 & -11)	
11	1422176	HOSE ASSEMBLY 3/8 X 116 (2211-09 & -11)	
12	141828	COUPLER, MALE 3/4-16	
13	156964	HOSE ASSEMBLY 1/2 X 204	
14	156963	HOSE ASSEMBLY 1/2 X 175	
15	50002-65	HOSE ASSEMBLY 1/2 X 31	
16	150273	HOSE ASSEMBLY 3/8 X 185 (2211-09 & -11)	
17	202702-8-8S	ADAPTER	
18	2062-8-8S	ADAPTER, 90	
19	141826	ELBOW, 90 W/ RESTRICTOR	
20	150272	HOSE ASSEMBLY 3/8 X 362	
21	140693	VALVE, LIMIT	
	142656	LIMIT VALVE PARTS KIT	
22	140472	CYLINDER, HYDRAULIC 4 X 30 (SEE PAGE 2-79)	
23	116432	HOSE ASSEMBLY 3/8 X 60 (2211-13 & -15)	
24	144343	HOSE ASSEMBLY 3/8 X 165 (2211-13 & -15)	
25	71509000	HOSE ASSEMBLY 3/8 X 202 (2211-13 & -15)	
26	147582	HOSE ASSEMBLY 3/8 X 24 (2211-13 & -15)	
27	147584	HOSE ASSEMBLY 3/8 X 40 (2211-13 & -15)	
28	116435	HOSE ASSEMBLY 3/8 X 146 (2211-13 & -15)	
29	160693	HOSE ASSEMBLY 3/8 X 222 (2211-13 & -15)	
30	153622	HOSE ASSEMBLY 3/8 X 385 (2211-13 & -15)	
31	2-181-010001	HOSE CLAMP	
32	1-654-010051-13	SCREW, HEX HEAD CAP 3/8-16 X 3 GR5 (2211-09 & -11)	
	108295	SCREW, HEX HEAD CAP 3/8-16 X 4 GR5 (2211-13 & -15)	
33	1-512-010005-05	NUT, HEX LOCK 3/8-16	
34	155528	HOSE WRAP, BLUE 1" ID X 8 (NOT SHOWN)	
35	155529	HOSE WRAP, YELLOW 1" ID X 8" (NOT SHOWN) (2211-13 & -15)	
36	155530	HOSE WRAP, BLACK 1" ID X 8" (NOT SHOWN)	
37	147123	HOSE ASSEMBLY 3/8 X 31	
38	144322	CYLINDER, HYDRAULIC 4 X 16 (2211-13 & -15) (SEE PAGE 2-81)	

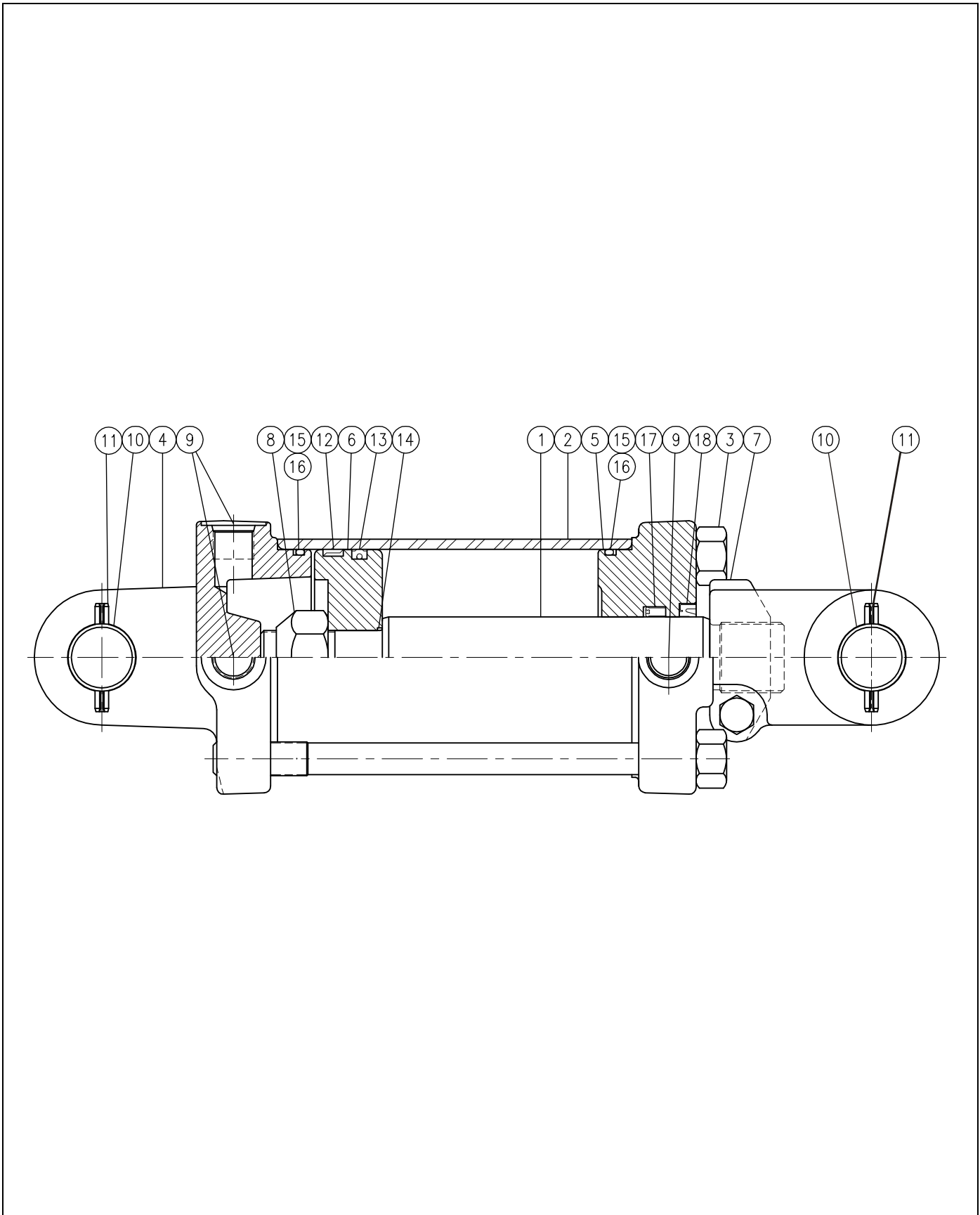
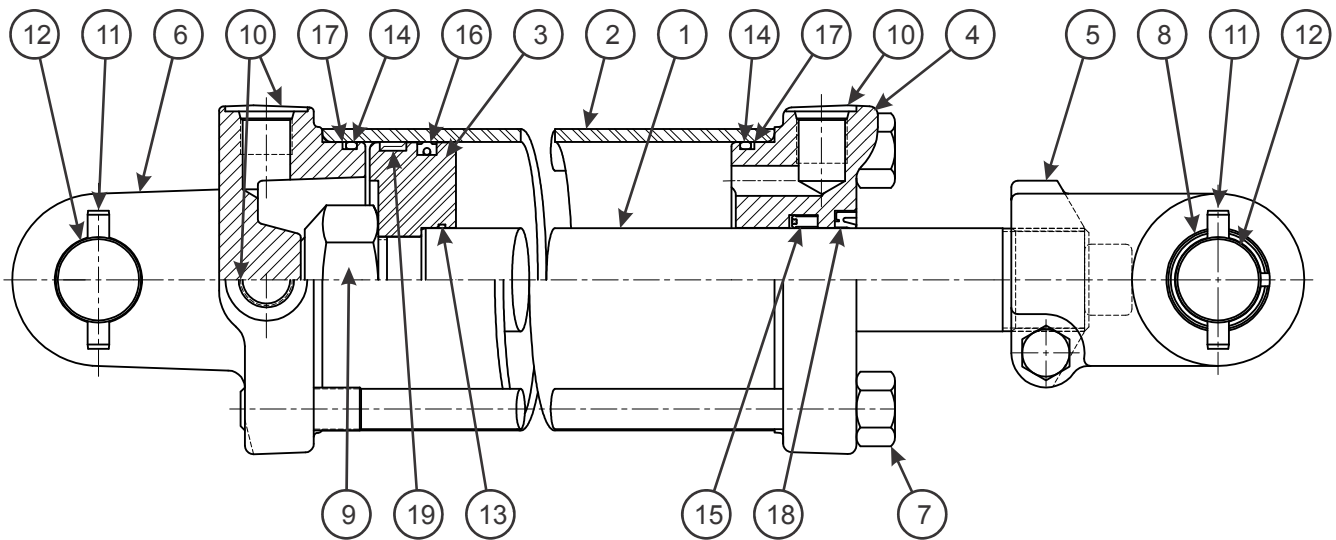


Figure 2-50: Cylinder, Hydraulic 4 x 30

CYLINDER HYDRAULIC 4" X 30"

ITEM	PART NO.	DESCRIPTION	QTY.
	140472	CYLINDER HYDRAULIC 4" X 30"	
1	142117	PISTON ROD	1
2	142118	TUBE	1
3	142102	TIE ROD ASSEMBLY	4
4	142119	BUTT CLEVIS ASSEMBLY	1
5	142120	GLAND	1
6	142121	PISTON	1
7	100000328	CLEVIS ASSEMBLY	1
8	220000210	LOCKNUT	1
9	200300040	PORT PLUG	1
10	142122	CLEVIS PIN	2
11	111789	ROLL PIN	4
*12	-----	BEARING RING	2
*13	-----	CROWN SEAL	1
*14	-----	O-RING	1
*15	-----	O-RING	2
*16	-----	BU-WASHER	2
*17	-----	U-CUP	1
*18	-----	CANNED WIPER	2
19	142113	PACKING KIT *(CONTAINS ITEM NOS 12-18)	1

ILLUSTRATED PARTS LIST



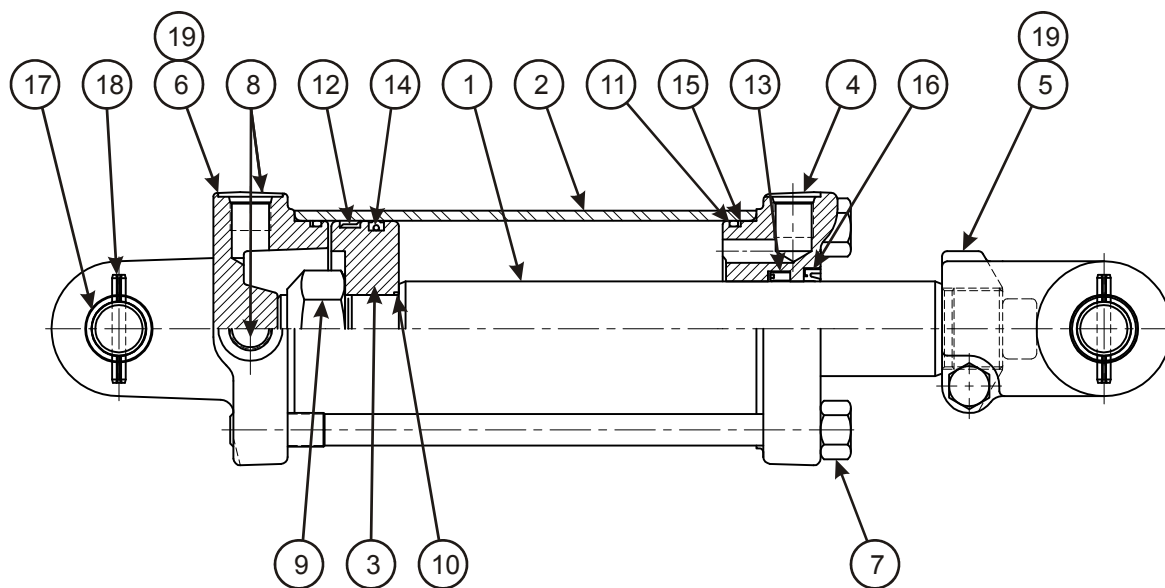
m144322

Figure 2-51: Cylinder, Hydraulic 4 x 16

CYLINDER HYDRAULIC 4" X 16"

ITEM	PART NO.	DESCRIPTION	QTY.
	144322	CYLINDER HYDRAULIC 4" X 16"	
1	171604	PISTON ROD	1
2	-----	TUBE	1
3	-----	PISTON	1
4	142120	GLAND	1
5	137304	CLEVIS ASSEMBLY	1
6	-----	BUTT CLEVIS	1
7	-----	TIEROD ASSEMBLY	4
8	-----	BUSHING	2
9	-----	LOCKNUT	1
10	-----	PORT PLUG	3
11	171605	ROLL PIN	4
12	147755	CLEVIS PIN	2
*13	-----	O-RING	1
*14	-----	O-RING	2
*15	-----	U-CUP	1
*16	-----	CROWN SEAL	1
*17	-----	BU-WASHER	2
*18	-----	CANNED WIPER	1
*19	-----	BEARING RING	1
20		DECAL (NOT SHOWN)	1
	154104	PACKING KIT *(INCL ITEMS 14-20)	

* NOT SOLD SEPARATELY



m148387

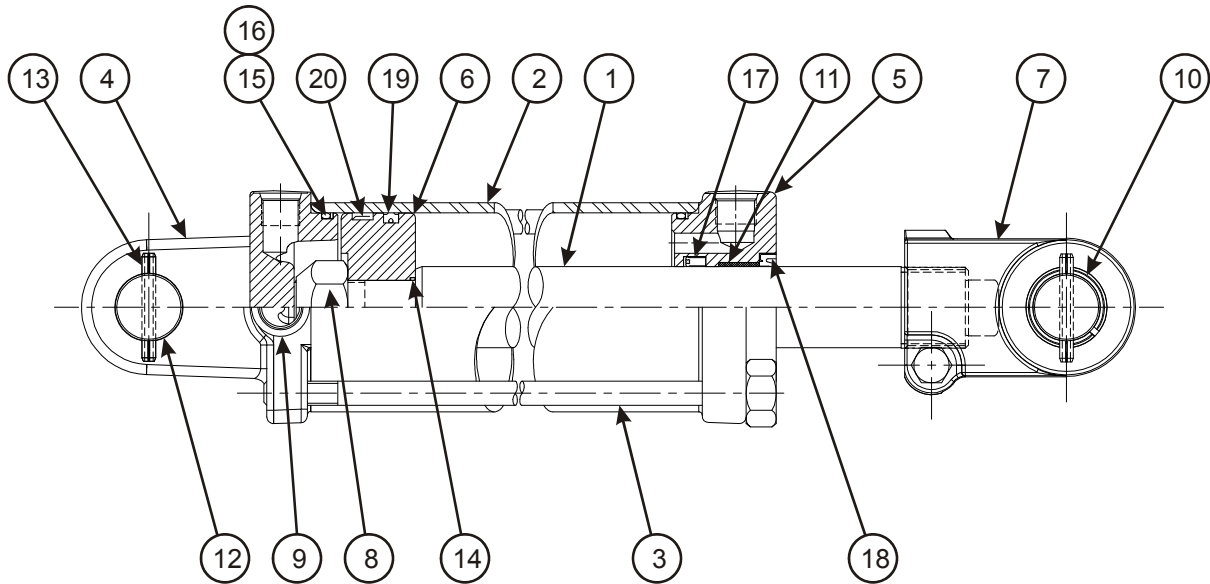
Figure 2-52: Cylinder, Hydraulic 8"

CYLINDER, 8" HYDRAULIC ASSEMBLY

ITEM	4" X 8"	DESCRIPTION	QTY.
	148387	CYLINDER	
1	147372	PISTON ROD	1
2	152637	TUBE	1
3	111786	PISTON	1
4	152638	GLAND	1
5	142110	CLEVIS	1
6	142114	BUTT	1
7	152639	TIEROD ASSEMBLY	4
8	200300040	PORT PLUG	3
9	220000212	LOCK NUT 1-1/4-12	1
*10	—	O-RING	1
*11	—	O-RING	2
*12	—	BEARING RING	1
*13	—	U-CUP	1
*14	—	CROWN SEAL	1
*15	—	BU-WASHER	2
*16	—	WIPER	1
17	143994	CLEVIS PINS	2
18	111789	ROLL PINS	4
19	142112	BUSHING	4
	152640	PACKING KIT *(INCL ITEMS 10-16)	

* NOT SOLD SEPARATELY

ILLUSTRATED PARTS LIST



m145207

Figure 2-53: Cylinder, Hydraulic 3-1/2" x 16"

CYLINDER, HYDRAULIC 3-1/2" X 16"

ITEM	PART NO.	DESCRIPTION	QTY.
	145207	CYLINDER HYDRAULIC 3-1/2" X 16"	
1	147749	PISTON ROD	1
2	147750	TUBE	1
3	147751	TIEROD ASSEMBLY	4
4	147752	BUTT CLEVIS	1
5	147753	GLAND	1
6	147754	PISTON	1
7	137304	CLEVIS ASSEMBLY	1
8	220000210	LOCKNUT	1
9	200300040	PORT PLUG	3
10	135912	BUSHING	2
11	147757	DX BUSHING	1
12	147755	CLEVIS PIN	2
13	111789	ROLL PIN	4
*14	-----	O-RING	1
*15	-----	O-RING	2
*16	-----	BU-WASHER	2
*17	-----	U-CUP	1
*18	-----	CANNED WIPER	1
*19	-----	CROWN SEAL	1
*20	-----	BEARING RING	1
	147756	PACKING KIT *(INCL ITEMS 14-20)	

* NOT SOLD SEPARATELY

ILLUSTRATED PARTS LIST

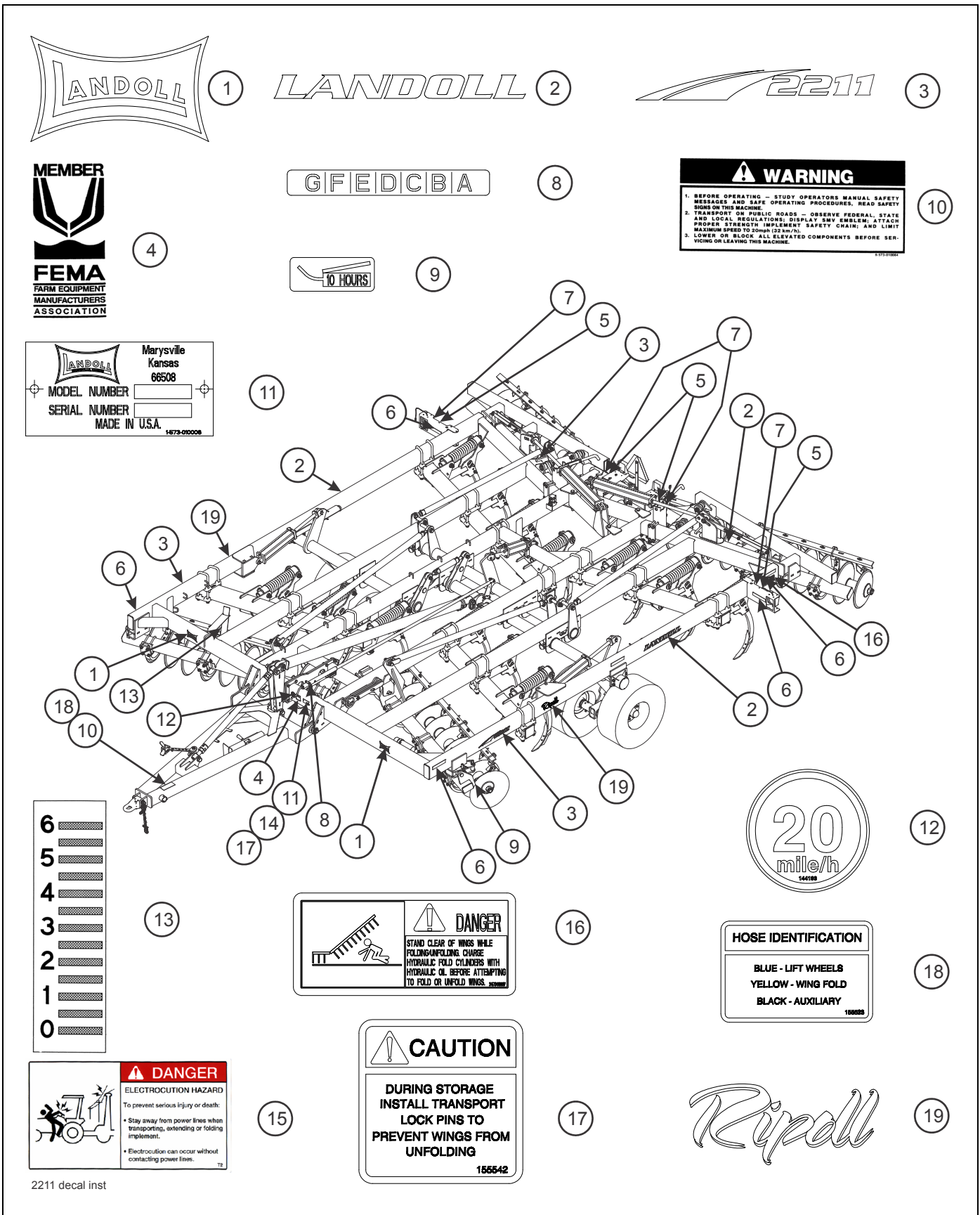


Figure 2-54: Decal Installation

DECAL INSTALLATION

ITEM	PART NO.	DESCRIPTION	QTY.
1	141259	DECAL, LANDOLL YELLOW	
2	141260	DECAL, LANDOLL	
3	160640	DECAL, MODEL 2211	
4	2-573-010198	DECAL MEMBER FEMA	
5	*528933	REFLECTOR, RED	
6	*528934	REFLECTOR, YELLOW	
7	*528938	STRIPE, ORANGE	
8	141262	DECAL, DEPTH STOP INDICATOR	
9	2-573-010330-02	DECAL LUBRICATION 10 HOURS	
10	8-573-010084	DECAL WARNING BEFORE OPERATING	
11	1-573-010006	PLATE, NAME	
12	144193	DECAL, SIS 20MPH	
13	2-573-010336	DECAL, DEPTH GAUGE	
14	10036	FASTENER, SERIAL NUMBER PLATE	
15	141597	DECAL, DANGER ELECTROCUTION	
16	2-573-010037	DECAL, DANGER WING	
17	155542	DECAL, DANGER WING FOLD	
18	155523	DECAL, HOSE IDENTIFICATION	
19	176838	DECAL, RIPOLL	

* SEE PAGE 2-70 FOR DECAL LOCATIONS

Page Intentionally Blank

Numerical Index

Numerics

0600-250-01250 . . .	2-9, 2-13, 2-15, 2-37, 2-38, 2-39
0600-250-03000	2-23
100000328	2-79
100214	2-20
10036	2-87
1-007-010025	2-65
100808	2-20
100823	2-9, 2-13, 2-15, 2-37, 2-38, 2-39
100825	2-20
100827	2-41, 2-73
100829	2-7
100844	2-20
100856	2-53, 2-59, 2-61
101988	2-9, 2-13, 2-15
102-1158	2-63
102271	2-37, 2-43
102498	2-17
102600	2-9, 2-11, 2-13, 2-15, 2-17
102601	2-17
102604	2-17
103-0805	2-20
103841	2-20
104358	2-77
105874	2-63, 2-65, 2-71, 2-73
107-0762	2-71
1-076-010007	2-11
1-076-010010	2-11
108295	2-77
108830	2-71
109895	2-59
111789	2-79, 2-85
111962	2-17
114616	2-37
114911	2-31
116100	2-5, 2-21
116432	2-77
116435	2-77
117957	2-53, 2-59, 2-61
118650	2-53
119118	2-9, 2-13, 2-15
121334	2-63, 2-65
122709	2-27
122911	2-77
122917	2-24, 2-28
123579	2-28
125648	2-63, 2-65
126368	2-71, 2-73
127712	2-9, 2-13, 2-15
1-298-010001-1	2-20, 2-37, 2-38, 2-39
135165	2-37
135912	2-85
137304	2-81, 2-85
137943	2-69
140464	2-33
140465	2-33
140466	2-33
140467	2-33

NUMERICAL INDEX

140469	2-33	141244	2-5
140472	2-77, 2-79	141246	2-20
140473	2-33	141247	2-20
140475	2-33	141249	2-20
140476	2-33	141250	2-25
140477	2-33, 2-69	141251	2-22, 2-31
140479	2-33, 2-69	141259	2-87
140480	2-33, 2-69	141260	2-87
140485	2-33	141262	2-28, 2-87
140487	2-33	141266	2-5
140488	2-33	141269	2-41
140490	2-33	141434	2-20
140491	2-33	141574	2-71
140519	2-9, 2-13, 2-15, 2-37	141576	2-71
140533	2-3, 2-5	141577	2-71
140554	2-11	141578	2-71
140594	2-11	141579	2-71
140595	2-11	141580	2-71
140599	2-5, 2-27, 2-53, 2-59, 2-61	141597	2-20, 2-87
140610	2-27	141807	2-20
140646	2-11	141809	2-9, 2-13, 2-15
140647	2-20, 2-25	141826	2-77
140649	2-27	141828	2-63, 2-65, 2-77
140693	2-28, 2-77	141867	2-11
141109	2-3, 2-5	141881	2-77
141154	2-33	142102	2-79
141198	2-11	142113	2-79
141209	2-9, 2-13, 2-15	142117	2-79
141213	2-28	142118	2-79
141217	2-28	142119	2-79
141222	2-28	142120	2-79, 2-81
141223	2-28	142121	2-79
141224	2-28	142122	2-79
141225	2-28	142194	2-25
141227	2-28	1422176	2-77
141234	2-9, 2-13, 2-15, 2-37	142656	2-77
141236	2-11	142660	2-33
141238	2-11	142662	2-33

142753	2-3, 2-5	148337	2-69
143067	2-9, 2-11	148363	2-33
144115	2-5, 2-20	148364	2-33
144155	2-33	148386	2-33
144193	2-87	148387	2-77
144322	2-77, 2-81	148783	2-53
144343	2-77	149007	2-63
144448	2-31	149581	2-27
144449	2-31	149582	2-27
144451	2-31	149591	2-35
144457	2-31	149592	2-35
144458	2-31	149593	2-35
144460	2-31	149594	2-35
144461	2-31	149595	2-35
144473	2-20	149596	2-35
144493	2-5, 2-20	149603	2-35
145172	2-31	149604	2-35
145173	2-31	149605	2-35
145190	2-20	149606	2-35
145207	2-77, 2-85	149607	2-35
146822	2-20	149608	2-35
146826	2-31	149609	2-35
146828	2-77	149626	2-35
146832	2-20	149627	2-35
147070	2-3, 2-5	149628	2-35
147123	2-77	149629	2-35
147553	2-9, 2-11	149632	2-35
147582	2-77	149633	2-35
147584	2-77	149634	2-35
147749	2-85	149635	2-35
147750	2-85	149636	2-35
147751	2-85	149637	2-35
147752	2-85	149642	2-35
147753	2-85	149643	2-35
147754	2-85	149668	2-37
147755	2-81, 2-85	149673	2-43
147756	2-85	149674	2-31
147757	2-85	149675	2-31

NUMERICAL INDEX

149676	2-43	1-512-010005-05	2-20, 2-28, 2-77
149754	2-31	1-512-010005-09	2-33, 2-41, 2-63, 2-65, 2-69, 2-71, 2-73, 2-77
149755	2-31	1-512-010005-13	2-28, 2-69
149756	2-31	1-512-010005-15	2-3, 2-5, 2-9, 2-13, 2-15, 2-22, 2-23, 2-24, 2-27, 2-31, 2-33, 2-37, 2-47, 2-51, 2-53, 2-57, 2-59, 2-61
149757	2-31	1-512-010005-19	2-5, 2-7, 2-9, 2-13, 2-15, 2-20, 2-31, 2-37, 2-43, 2-53, 2-59, 2-61
149784	2-37	1-512-010007-02	2-71
149786	2-37	1-512-010007-07	2-20
149791	2-43	1-512-010007-11	2-28
149793	2-37, 2-39	1-512-010007-14	2-53, 2-59, 2-61
149794	2-37, 2-38	1-512-010007-16	2-20
149795	2-37, 2-39	1-512-010008-12	2-20
149797	2-39	1-516-010001-20	2-11, 2-17
149798	2-38	152200	2-39
149799	2-39	152202	2-37, 2-39
150167	2-31	152210	2-53, 2-61
150168	2-31	153622	2-77
150231	2-33	153631	2-31
150232	2-33	153696	2-20
150233	2-31	153716	2-69
150234	2-31	153803	2-9, 2-13, 2-15
150265	2-41	153804	2-9, 2-13, 2-15
150272	2-77	154104	2-81
150273	2-77	154181	2-69
150278	2-31	154182	2-69
150279	2-31	154184	2-69
150280	2-31	154185	2-69
150281	2-31	154186	2-69
150282	2-31	154392	2-53, 2-59, 2-61
150283	2-31	154393	2-69
150296	2-24	154407	2-47, 2-57, 2-69
150297	2-24	154409	2-47, 2-57, 2-69
150298	2-5, 2-24	154410	2-47, 2-57, 2-69
150299	2-24	154656	2-69
150309	2-5	154658	2-69
150310	2-5	154659	2-69
1-510-010003-09	2-41		
1-512-010005-01	2-3, 2-5, 2-20, 2-71, 2-73		
1-512-010005-03	2-28		

154684	2-51, 2-69	156125	2-51, 2-69
154686	2-51, 2-69	156143	2-53, 2-59, 2-61
154687	2-51, 2-69	156152	2-53, 2-59, 2-61
154689	2-69	156905	2-31
154691	2-69	156946	2-20
154692	2-69	156949	2-20
154723	2-47	156950	2-20
154724	2-47	156952	2-13
154748P	2-53, 2-59, 2-61	156955	2-23
155344	2-22	156957	2-23
155345	2-53, 2-59, 2-61	156963	2-77
155523	2-20, 2-87	156964	2-77
155528	2-77	156972	2-13, 2-15, 2-17
155529	2-77	156973	2-17
155530	2-77	156974	2-17
155531	2-9, 2-13, 2-15	156979	2-17
155533	2-9, 2-13, 2-15	156991	2-15
155534	2-20	156992	2-9, 2-13, 2-15
155536	2-20	157001	2-15
155538	2-20	157010	2-9
155542	2-87	157019	2-9, 2-13
155546	2-47, 2-51, 2-57	1-573-010006	2-87
155549	2-47, 2-51, 2-57	157556	2-71, 2-73
155550	2-47, 2-51, 2-57	157557	2-71, 2-73
155560	2-51	157562	2-53
155561	2-51	157648	2-73
155564	2-20	157950	2-53, 2-59, 2-61
155589	2-69	158785	2-53, 2-59
155591	2-69	158787	2-53, 2-59
155594	2-69	158795	2-53, 2-59, 2-61
155595	2-47, 2-57, 2-69	158797	2-21, 2-27
1-557-010013	2-23, 2-53	158798	2-27
1-557-010014	2-43	158803	2-27
1-557-010362-51	2-11, 2-17	158837	2-31
1-557-010403	2-77	158862	2-3
155716	2-20	158863	2-3
155717	2-20	158864	2-5
156124	2-69	158865	2-5

NUMERICAL INDEX

158896	2-53, 2-61	160674	2-51
158903	2-9, 2-13	160686	2-71
158904	2-15	160687	2-71
158911	2-15	160689	2-71, 2-73
159954	2-7	160690	2-71, 2-73
159955	2-7	160693	2-77
159970	2-17	160694	2-71
160149	2-13	160822	2-41
160152	2-13	160824	2-41
160161	2-33	160825	2-41
160184	2-47, 2-51, 2-53	161131	2-5
160199	2-53, 2-61	161493	2-63, 2-65
160597	2-9, 2-13	162569	2-65
160600	2-23, 2-47, 2-51, 2-57	164138	2-73
160601	2-23	164142	2-73
160602	2-23	164563	2-15
160603	2-47, 2-51, 2-53	1-647-010004217	2-28
160638	2-38	1-647-010004236	2-53, 2-59, 2-61
160639	2-37, 2-38	1-647-010004240	2-5
160640	2-87	1-647-010004255	2-31, 2-43
160641	2-9	1-647-010004257	2-33, 2-43
160642	2-9	1-647-010004263	2-43
160643	2-13	165235	2-15
160644	2-13	165236	2-15
160651	2-5, 2-22	165240	2-15
160652	2-22	165241	2-15
160656	2-22	165290	2-37
160657	2-22	165291	2-37
160660	2-5	165294	2-37
160661	2-5	1-654-010032-05	2-69
160662	2-5, 2-22	1-654-010032-09	2-33
160663	2-22	1-654-010047-04	2-28, 2-71, 2-73
160664	2-28	1-654-010047-06	2-3, 2-5, 2-20, 2-73
160665	2-28	1-654-010047-07	2-71, 2-73
160667	2-47, 2-51, 2-53	1-654-010047-08	2-73
160668	2-47, 2-51, 2-53	1-654-010051-06	2-28
160670	2-53, 2-59, 2-61	1-654-010051-13	2-77
160673	2-47	1-654-010055-05	2-33, 2-59, 2-69

1-654-010055-11	2-63, 2-65, 2-77	172534	2-59
1-654-010055-16	2-41, 2-71	172884	2-53, 2-59, 2-61
1-654-010055-22	2-71	172961	2-13
1-654-010059-09	2-28	172962	2-9
1-654-010061-05	2-9, 2-13, 2-15, 2-37, 2-53, 2-59, 2-61	172973	2-63, 2-65
1-654-010061-06	2-3, 2-5, 2-47, 2-51, 2-57	172977	2-63, 2-65
1-654-010061-07	2-3, 2-5, 2-27	172978	2-63
1-654-010061-09	2-5, 2-24	172981	2-65
1-654-010061-13	2-23, 2-31	172992	2-65
1-654-010061-15	2-31	173013	2-63
1-654-010061-19	2-20, 2-53, 2-59, 2-61	174435	2-73
1-654-010065-13	2-9, 2-13, 2-15	174436	2-73
1-654-010065-17	2-7, 2-43	174437	2-73
1-654-010070-04	2-33	174438	2-73
1-654-010087-16	2-20	174439	2-73
1-654-010104245	2-67	174688	2-15
1-654-010123-01	2-20	174711	2-5, 2-7
1-654-010125-22	2-20	174713	2-7
165556	2-47, 2-51, 2-57	174715	2-7
167-0053	2-33	174742	2-31
167596	2-31	174743	2-31
168859	2-17	174784	2-63, 2-65
169690	2-59	176838	2-87
170160	2-31	176934	2-7
170161	2-31	177004	2-53, 2-59, 2-61
171024	2-9, 2-13, 2-15	177005	2-53, 2-59, 2-61
171070	2-9, 2-13	177006	2-57, 2-63
171076	2-59, 2-63, 2-65, 2-67	177007	2-57, 2-65
171077	2-67	177008	2-57, 2-63
171078	2-67	177009	2-57, 2-65
171079	2-67	177010	2-57, 2-59
171080	2-67	177011	2-57, 2-59
171081	2-67	177012	2-57, 2-59
171093	2-67	177013	2-57, 2-59
171604	2-81	177014	2-59, 2-61
171605	2-81	177015	2-59, 2-61
172509	2-33	177016	2-57, 2-61
		177017	2-57, 2-61

NUMERICAL INDEX

177018	2-57	2-150-010008	2-3, 2-5, 2-37
177019	2-57	2-150-010137	2-43
177020	2-57	2-150-010174	2-3, 2-9, 2-13, 2-15
177022	2-63, 2-65	2-150-010228	2-20
177038	2-73	2-181-010001	2-21, 2-63, 2-65, 2-77
177039	2-73	220000210	2-79, 2-85
177040	2-73	23085	2-33
181615	2-9	2-368-010273	2-71, 2-73
181616	2-9	2-368-010287	2-73
181617	2-9	2-375-010601	2-20
1-861-010005	2-7, 2-17	2-375-010602	2-20
1-861-010032-07	2-3, 2-5	2-474-010022	2-63, 2-65, 2-77
1-861-010032-14	2-33	2-557-010409	2-23
1-861-010032-21	2-23	2-565-010899	2-33
1-861-010032-24	2-20	2-573-010037	2-87
1-861-010032-32	2-27, 2-53, 2-59, 2-61	2-573-010198	2-87
1-861-010034-09	2-28	2-573-010330-02	2-33, 2-87
1-861-010034-13	2-59	2-573-010336	2-41, 2-87
1-861-010034-17	2-33, 2-69	2-654-010097	2-9, 2-13, 2-15, 2-37, 2-39
1-861-010034-21	2-53, 2-61, 2-69	2-654-010098	2-9, 2-13, 2-15, 2-37, 2-38, 2-39
188528	2-59	4001060	2-13, 2-15, 2-17
188530	2-59	5000	2-33
188531	2-59	50002-65	2-77
198321	2-59	500171	2-25
1P444	2-59	528933	2-47, 2-51, 2-57, 2-87
200300040	2-79, 2-85	528934	2-47, 2-51, 2-57, 2-87
202702-8-6S	2-63, 2-65	528938	2-47, 2-51, 2-57, 2-87
202702-8-8S	2-77	6-102-010009	2-69
2-054-010461	2-71	70239854	2-3, 2-5, 2-20
2061-6-6S	2-63, 2-65	70260977	2-71, 2-73
2062-6-6S	2-63, 2-65	71500165	2-65
2062-8-6S	2-63, 2-65	71500166	2-63
2062-8-8S	2-77	71509000	2-77
206598	2-59, 2-63, 2-65, 2-67	71509002	2-63
206599	2-67	71509009	2-65
206675	2-59	71509123	2-65
2-102-010032	2-73	71509124	2-63
2-102-010063	2-33	7779-34	2-65

7779-78 2-65
7779-90 2-63
8-573-010084 2-20, 2-87
8-622-010007 2-69
8-622-010012 2-69
8-622-010081 2-69
87F5 2-63, 2-65
900598-6S 2-67

B

B1821BH050C300N 2-31

H

HSM0044 2-5

T

TR416 2-13
TR575 2-9, 2-15



Intertek

Equipment from Landoll Corporation is built to exacting standards ensured by ISO 9001 registration at all Landoll manufacturing facilities.

Model 2211 Ripoll Parts Manual

Re-Order Part Number F-572-0613

LANDOLL CORPORATION

1900 North Street

Marysville, Kansas 66508

(785) 562-5381

800-428-5655 ~ WWW.LANDOLL.COM



Copyright 2010. Landoll Corporation

“All rights reserved, including the right to reproduce this material or portions thereof in any form”