

# ATHENS

## MODEL 97



*The Model 97 is ideal for wildlife applications and management. This lift-type offset disc harrow is available in widths from 6' 2" to 9' 0", making it the perfect choice for plantations and ranches.*



"WE PLOW THE EARTH"



[www.athensplowcompany.com](http://www.athensplowcompany.com)

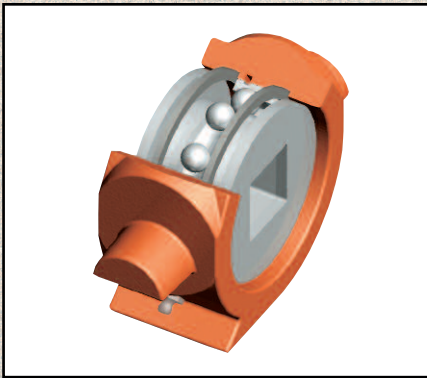


## STANDARD EQUIPMENT

- Disc Blades, 22" or 24" Diameter
- 9" Spacing
- Relube Quadraseal Ball Bearings
- Rigid Bearing Hangers with Wear Plates
- 1.25" Square Cold Rolled Axle
- Adjustable Angle of Cut: 18° or 21°
- Gang Wrench

## OPTIONAL EQUIPMENT

- Spring Bearing Hangers with Wear Plates
- Scrapers
- Cover Discs



### Quadraseal Ball Bearings

Strong relube QUADRASEAL ball bearings on the Model 97 mean long life and less downtime.



### DISC BLADES

Available in 22 and 24 inch sizes. Athens Plow offers tailored solutions to meet your disking needs.

**Smooth blades** are best utilized in normal field conditions. They are more economical, wear longer, weigh more than cutout blades, and cut crop residue evenly.

**Cutout blades** are more aggressive and trap residue better than smooth blades.

## MODEL 97 SPECIFICATIONS

WIDTH OF CUT	NUMBER OF DISCS	NUMBER OF BEARINGS	*APPROX. HORSE POWER	APPROX. WEIGHT (lbs.)
6' 2"	16	6	50 - 60	1,385
6' 10"	18	8	60 - 70	1,565
7' 6"	20	8	70 - 80	1,672
WIDE MAIN FRAME - CAT. II/III HITCH				
8' 4"	22	8	80 - 90	1,798
9' 0"	24	8	90 - 100	1,898

\*Approximate Horse Power is only a guide. Extremely hard, soft, hilly or boggy conditions will change these figures.



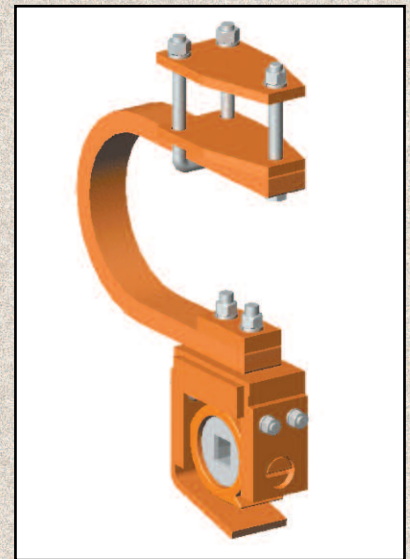
### The Top-Hitch Brace

on the Model 97 adds strength and durability to the hitch. Designed with a 1.5" diameter rod and a heavy duty spring, this brace is built to last.



### The Rigid Bearing Hanger

features a **Wear Plate** that bolts onto the front-side of the Bearing Hanger adding extra protection to the front and bottom of the Bearing Housing.



### The Spring Bearing Hanger

provides maximum strength without sacrificing flexibility. It also features a **Wear Plate** which protects the front and bottom of the Bearing Housing.

Athens Plow Co., Inc. guarantees each piece of equipment against defective materials and workmanship for a period of one year from the date of delivery to the purchaser unless otherwise specified. Athens Plow Co., Inc. reserves the right to make changes and/or improvements in design and construction of parts or machines without notice or obligation.