

AGRICULTURAL



SNOW PLOWS

**A LINE THAT
DELIVERS RESULTS!**



Winter Blaster:
An efficient and affordable way to move snow

Arctic Blaster:
Second to none, unmatched results

Snow Blaster:
A different way in getting things done

**BUILT TO
LAST**



FABRICATION

S. HOULE



Engineers who analyze the smallest details

Nothing is left to chance. Based on a finite element analysis, all stress points on the equipment are subjected to rigorous 3D stress tests, enabling us to optimize parts that are subject to heavy loads. **"We go tough on them to make life easier for you."**

Prototypes are then built and tested over one or more full seasons before being marketed.



Sylvain Houle, son of a farmer, knows his tractors. Raised on a crop farm where high horse power tractors were everyday's work tools, he can attest that most snow removal equipment can't hold up to the power of these behemoths—which is what led him to design plows built to withstand the sheer strength of modern tractors, plows that are not only efficient but among the strongest on the market.



3D stress tests

DO YOU HAVE A SPECIFIC NEED?

Contact us! We would be happy to customize a model for you.

BUILT TO LAST



An automated plant and quick delivery times

The company uses a high-definition plasma cutting table to obtain precise angles and curves for each part. A fully equipped milling machine with CNC lathe for precision assembly guarantees you a perfect product that meets requirements down to the smallest detail. Thanks to a production capacity met by over 30,000 ft.² (9,144 m²) of plant space, Fabrication S. Houle guarantees you a compliant product delivered on time.

A plow that makes the grade

Our snow plows are made from the highest grade steel in the industry. Not only are they stronger, they're also heavier, meaning their inertia is higher. For this reason, a heavier weight can be seen as a major advantage when it comes to efficiency. A greater inertia, allows the plow to withstand impacts, while maintaining its momentum in pushing or pulling snow.

Another reason why our plow is not only strong, but efficient.

Durability with minimal maintenance

With its high grade steel, UHMW slides, hardened steel cutting edges up to 3/4 in. (19 mm) thick, side spring loaded skid shoes, and 2 1/2 in. (6.35 cm) hydraulic cylinders, it has been designed to withstand wear and tear.



On top of our one-year warranty on parts and labour, Fabrication S. Houle's yellow plow has **the best resale value on the market.**



We make sure it works!

Our configurable hitch systems are manufactured to fit all types of tractors. Depending on the tractor model and choice of plow, various options include a harness assembly with 45° angling capability and front end loader attachments, either fixed or swivel.

See page 18 for more details about our hitches.

Winter Blaster

“S” Category – from 60 to 120 HP

The small money-saver

Considered the “deluxe” model not so long ago, the Winter Blaster’s streamlined design and load capacity have now made it our most economical plow. Ideal for 60-120 HP tractors, it mounts on a loader, a harness, or directly on the 3-point hitch.

**1-year
warranty**
shoule.com

**Fast
delivery**
Contact us!



Reversible hardened steel cutting edges:
5/8 in. (16 mm) thick.

Pivoting spring-loaded skid shoes
for extreme resistance to wear.
RT-400 steel: 1 in. (25 mm) thick.

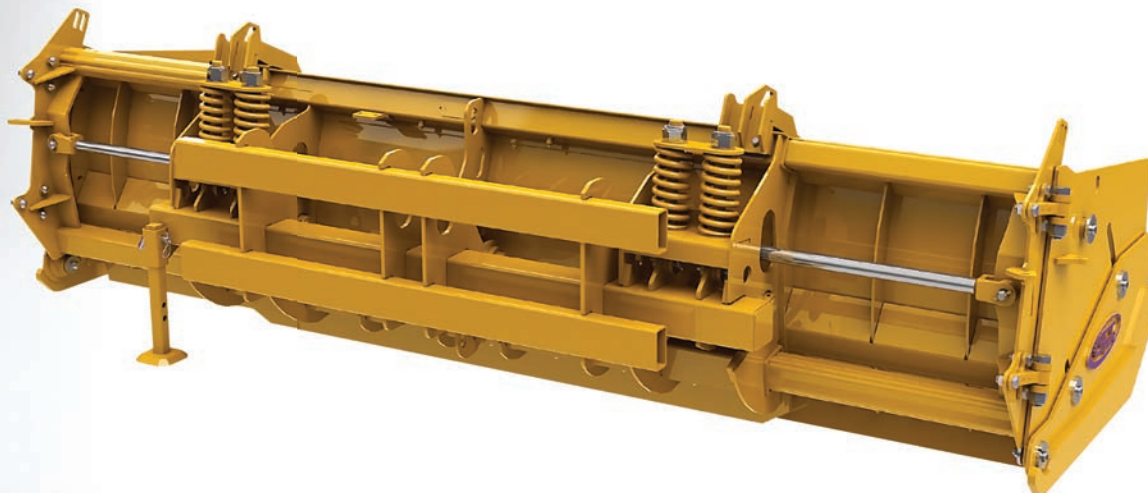
V45 7/11 extendable plow

We like it for:

- Its robust design and large capacity;
- Its trip-action blade;
- Its ability to extend for increased productivity;
- Its excellent value for money;
- The best return on investment given its load capacity.

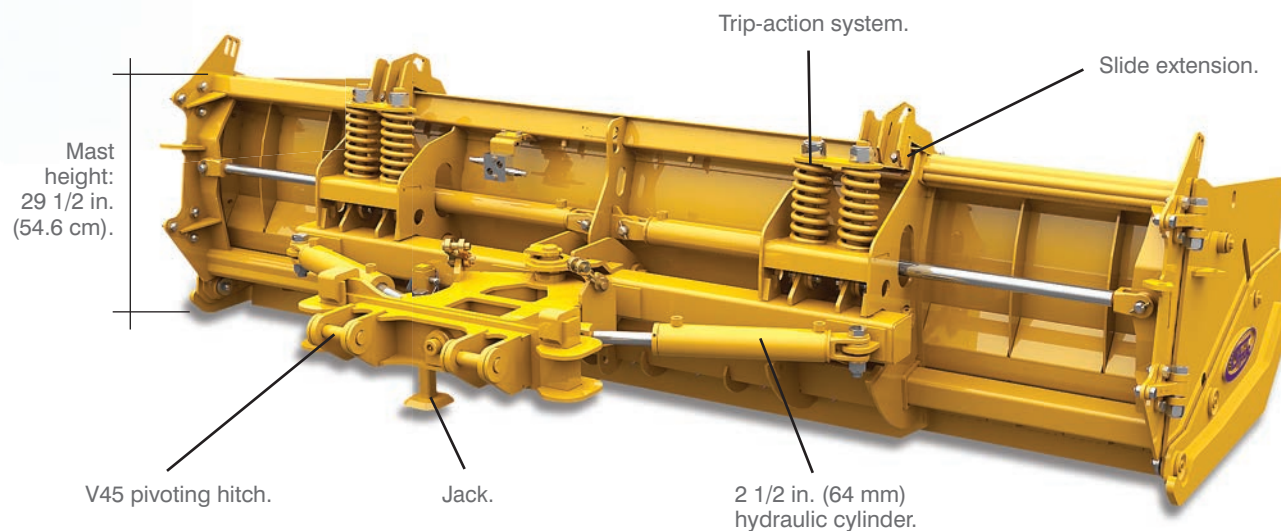


Fixed 6/10 plow for front end loader



See our plows
in action at
www.shoule.com

7/11 plow with V45 hitch



Plow depth: 31 1/2 in. (60 cm).



More details on p.18

	MODEL	DIMENSIONS	WEIGHT	SKID STEER LOADERS	TRACTORS 60-120 HP (44-89 kW)
Winter Blaster "S" Category					
Extendable	6/10	6-10 ft. (1.8-3 m)	1,875-2,050 lb (850-930 kg)	•	•
	7/11	7-11 ft. (2.1-3.4 m)	2,000-2,175 lb (907-987 kg)	•	•

Our plows are adaptable to all models of tractors and loaders.

Winter Blaster

“L” Category – from 100 to 225 HP

Big plow, big savings

This larger model is suitable for 100-225 HP tractors. With an opening that extends from 8 ft. closed to 13 ft. open, or from 10 ft. closed to 16 ft. open, it's the economical solution that combines results with durability.

**1-year
warranty**
shoule.com

**Fast
delivery**
Contact us!



Reversible hardened steel cutting edges: 3/4 in. (19 mm) thick.

8/13 extendable plow

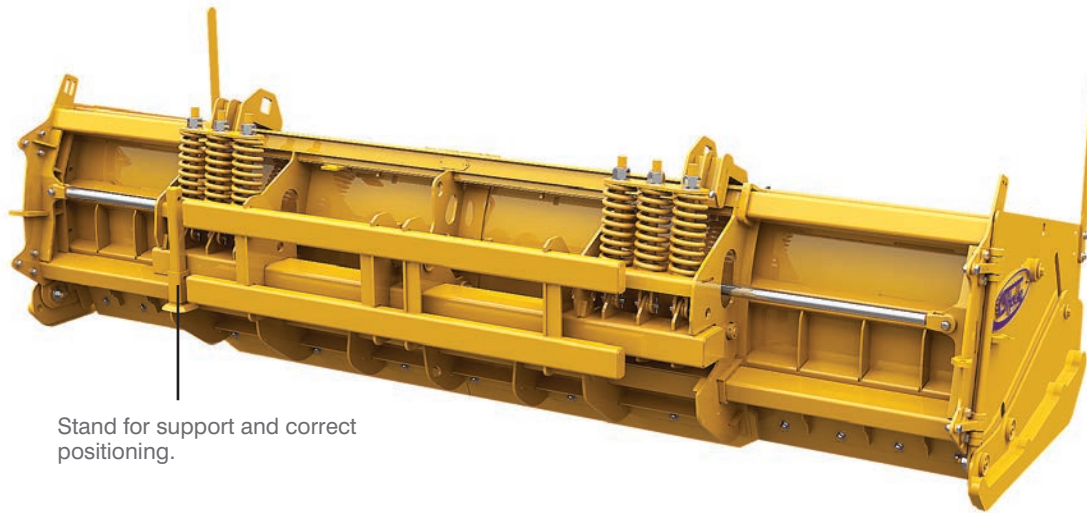
Pivoting spring-loaded skid shoes for extreme resistance to wear. RT-400 steel: 1 in. (25 mm) thick.

We like it for:

- Its robust design and large capacity;
- Its trip-action blade;
- Its ability to extend, for increased productivity;
- Its high resale value;
- Its low maintenance requirements;
- Its economical price that will keep you in business.

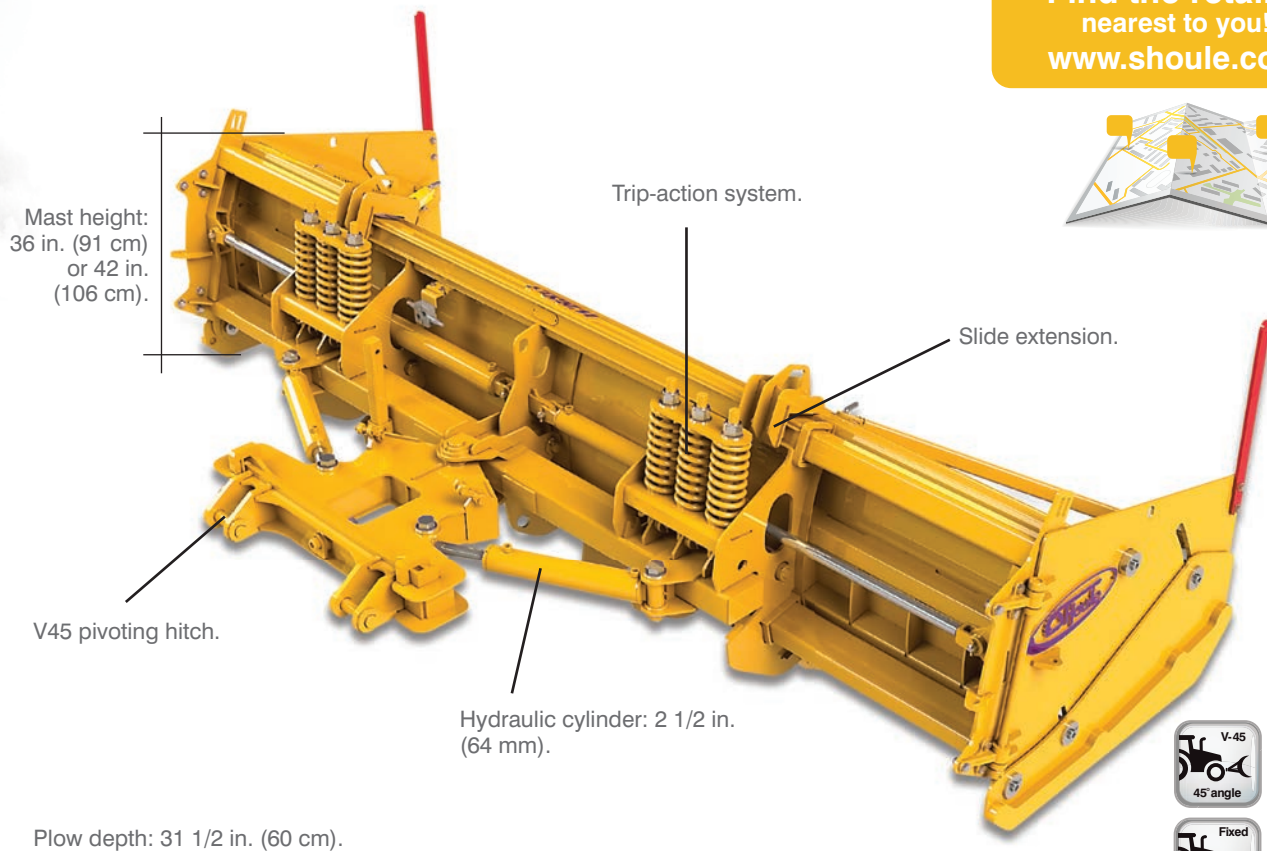


8/13 plow for front end loader



Stand for support and correct positioning.

10/16 plow with V45 hitch



Mast height:
36 in. (91 cm)
or 42 in.
(106 cm).

Trip-action system.

Slide extension.

V45 pivoting hitch.

Hydraulic cylinder: 2 1/2 in.
(64 mm).

Plow depth: 31 1/2 in. (60 cm).

Find the retailer
nearest to you!
www.shoule.com



More details on p.18

	MODEL	DIMENSIONS	WEIGHT	TRACTORS 60-120 HP (44-89 kW)	TRACTORS 110-225 HP (80-168 kW)	TRACTORS 250 HP (186 kW) AND +
Winter Blaster "L" Category						
Extendable	8/13	8-13 ft. (2.4-4 m)	3,135-3,490 lb (1,422-1,583 kg)	•	•	
	10/16	10-16 ft. (3-4.8 m)	3,750-4,000 lb (1,700-1,814 kg)		•	•
	10/16 + 42 in. (106 cm) high	10-16 ft. (3-4.8 m)	4,400 lb (2,000 kg)		•	•

Our plows are adaptable to all models of tractors and loaders.

Arctic Blaster

“C” Category – from 30 to 95 HP

Small but fully equipped

The strong, finely tuned Arctic Blaster series adapts to all conditions. Available in reversible, push and inverted models, “C” Category plows are suitable for tractors from 30 to 95 HP.

**1-year
warranty**
shoule.com

**Fast
delivery**
Contact us!

Floating
skid shoes.

Independent trip-action cutting edges
with torsion springs.

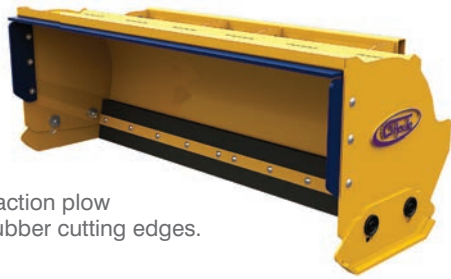
Rigid and adjustable
extensions.

Extendable inverted plow with 3-point hitch adapter

We like the Arctic Blaster for:

- Its independent trip-action cutting edges that ensure impeccable finishing work;
- Its trip-action system with torsion springs that is more compact than a compression system;
- Its floating skid shoes that provide better contact with the ground;
- Its capability to extend, for 70% increased productivity.

Rubber guards on either
side of the extensions
to prevent snow from
escaping during opening
and closing.



Non-trip action plow
UHMW-rubber cutting edges.



Trip-action plow
UHMW-steel cutting edges.

Skid shoes and cutting edges also available in:
Highly resistant UHMW plastic, ideal for paved stone driveways.
Stainless steel, which eliminates rust marks on pavement.

Reversible plow

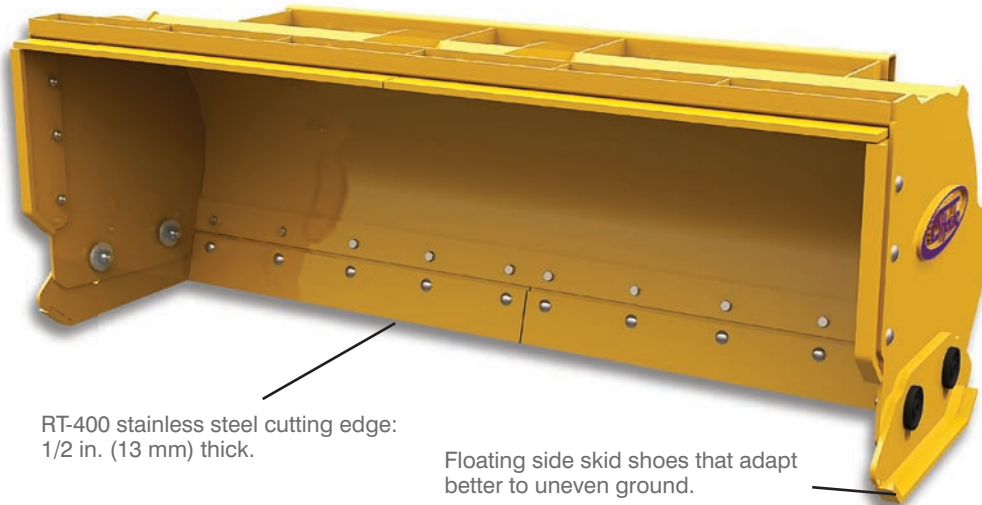


Reversible plow

The reversible plow allows you to get close to obstacles such as garage doors, fences, cars, etc.



See our plows
in action at
www.shoule.com



RT-400 stainless steel cutting edge:
1/2 in. (13 mm) thick.

Floating side skid shoes that adapt
better to uneven ground.

Depth of 6/10 plow: 25 in. (63 cm).
Depth of 7/12 plow: 30 in. (76 cm).



More details on p.18

	MODEL	DIMENSIONS	WEIGHT	SKID STEER LOADERS	TRACTORS 60-95 HP (44-71 kW)
Arctic Blaster "C" Category					
Extendable 25 in. (63 cm)	6/10	6-10 ft. (1.8-3 m)	1,135 lb (515 kg)	•	•
Extendable 30 in. (76 cm)	7/12	7-12 ft. (2.1-3.6 m)	1,445 lb (655 kg)	•	•
Fixed 30 in. (76 cm)	7	7 ft. (2.1 m)	890 lb (404 kg)	•	•
	8	8 ft. (2.4 m)	975 lb (442 kg)	•	•

Our plows are adaptable to all models of tractors and loaders.

Arctic Blaster

“S” Category – from 60 to 120 HP

The small luxury plow

Arctic Blaster “S” Category snow plows are extremely popular for their added-value features, making them the top choice of perfectionists everywhere!

1-year warranty
shoule.com

Fast delivery
Contact us!

Top extensions
10 in. (25 cm)
optional.

UHMW slides -
resistant to abrasion
and corrosion.

Mast height:
28 1/2 in.
(72 cm).

Independent, hardened steel reversible
trip-action cutting edges: 5/8 in.
(16 mm) thick.

Rubber guards to prevent snow
from escaping during opening
and closing.

Spring loaded skid shoes that
follow ground contour.

7/11 extendable plow



Bolted skid shoe plate
to minimize the cost
of replacement parts.

We also like the Arctic Blaster for:

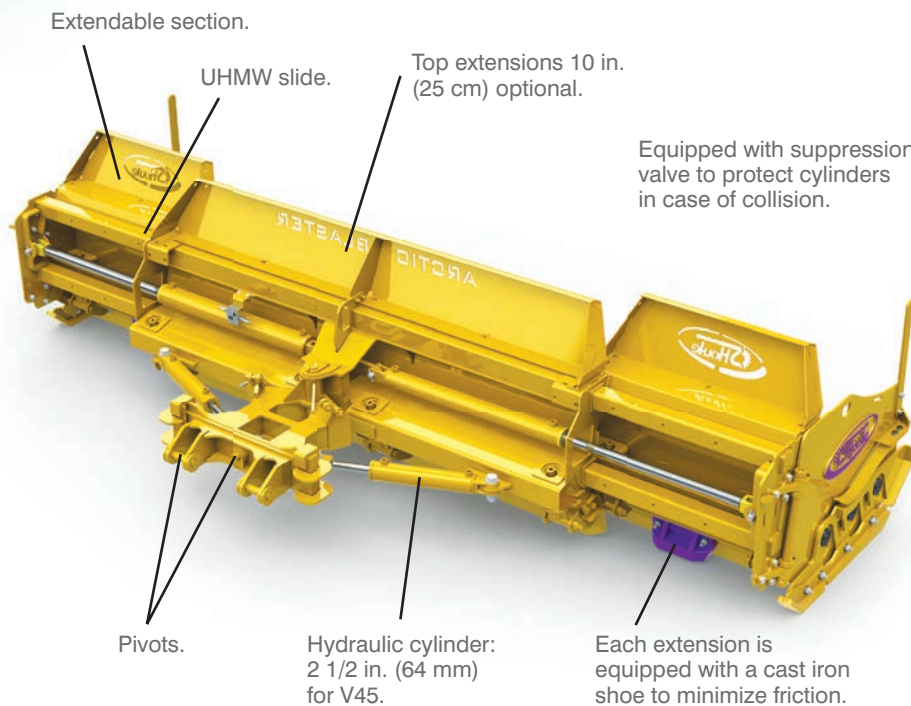
- Its extensions that rest on UHMW slides;
- Its trip-action cutting edges that ensure impeccable finishing work;
- Its low-maintenance design;
- Its excellent value for money.



Plow with hydraulic doors

The side doors rotate on a 180° axis thanks to four 2 1/2 in. (64 mm) hydraulic cylinders.

Snow plows with hydraulic doors are also equipped with suppression valves to protect the cylinders in case of a collision with an obstacle.



Depth of plow: 30 in. (76 cm).

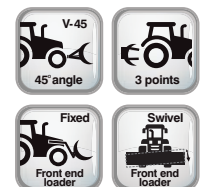
Fixed plow



Extendable reversible plow



Depth of reversible plow: 25 in. (63 cm).



More details on p.18

	MODEL	DIMENSIONS	WEIGHT	TRACTORS 60-120 HP (44-89 kW)	TRACTORS 110-225 HP (80-168 kW)	TRACTORS 250 HP (186 kW) AND +
Arctic Blaster "S" Category						
Extendable	7/11	7-11 ft. (2.1-3.4 m)	2,025-2,250 lb (919-1,020 kg)	●	●	●
	8/13	8-13 ft. (2.4-4 m)	2,275-2,500 lb (1,032-1,134 kg)	●	●	●
Fixed	8	8 ft. (2.4 m)	1,525 lb (692 kg)	●	●	
	10	10 ft. (3 m)	1,725 lb (782 kg)	●		●

Our plows are adaptable to all models of tractors and loaders.

Arctic Blaster

“L” Category – from 110 to 225 HP

Luxury and efficiency

For the city, country and everywhere in between...we have the plow that will get the job done. The “L” Category is designed to tackle heavy snowfalls quickly and easily. Plows in this category are available in 45° angle, fixed, extendable or hydraulic door versions.

1-year warranty
shoule.com

Fast delivery
Contact us!

8/13 extendable plow



UHMW slides - resistant to abrasion and corrosion.

Rubber guards to prevent snow from escaping.

Independent, hardened steel, reversible trip-action cutting edges: 3/4 in. (19 mm) thick.

Bolted skid shoe plate to minimize the cost of replacement parts.

Spring loaded skid shoes that adapt better to uneven ground.

We also like the Arctic Blaster for:

- Its flawless design;
- Its top extensions, enabling it to move more snow without overflows;
- Its 40° cutting edge displacement that continues to push snow when tripped;
- Its vertical and horizontal pivoting system combined with spring loaded skid shoes that allow the plow to run smoothly on uneven ground.



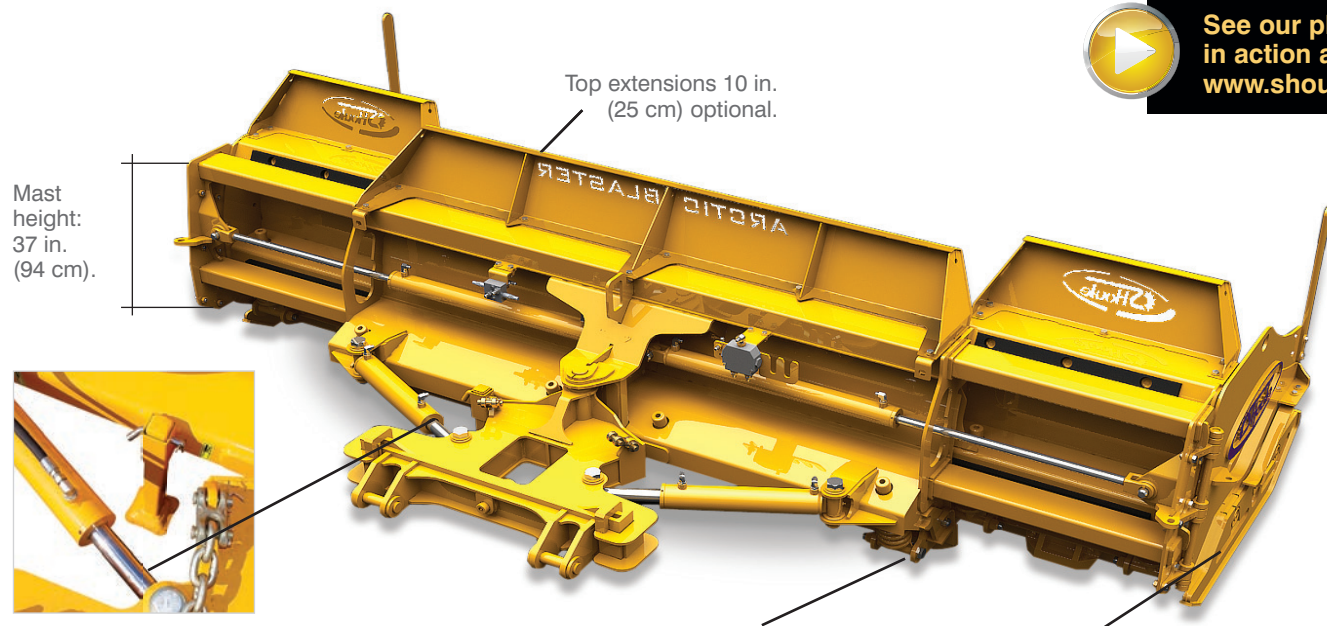
Fixed plow



Hydraulic door plow

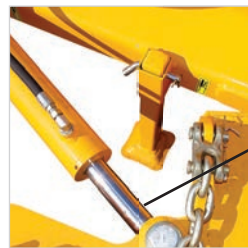


See our plows in action at www.shoule.com



Mast height: 37 in. (94 cm).

Top extensions 10 in. (25 cm) optional.



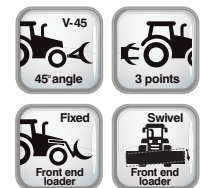
Hydraulic cylinder: 3 in. (76 mm).

Each extension is equipped with a shoe to minimize friction.

Side doors can be manually rotated to 180°.

8/13 extendable plow with V45 hitch

Plow depth: 37 in. (94 cm).



More details on p.18

	MODEL	DIMENSIONS	WEIGHT	TRACTORS 110-225 HP (80-168 kW)	TRACTORS 250 HP (186 kW) AND +
Arctic Blaster "L" Category					
Extendable	8/13	8-13 ft. (2.4-4 m)	3,850 lb (1,746 kg)	●	●
	10/16	10-16 ft. (3-4.8 m)	4,400 lb (1,996 kg)	●	●
	11/18	11-18 ft. (3.4-5.5 m)	4,925 lb (2,234 kg)	●	●
Fixed	8	8 ft. (2.4 m)	3,350 lb (1,520 kg)	●	●
	10	10 ft. (3 m)	2,850 lb (1,293 kg)	●	●
	11	11 ft. (3.4 m)	3,065 lb (1,390 kg)	●	●
	12	12 ft. (3.6 m)	3,325 lb (1,508 kg)	●	●

Our plows are adaptable to all models of tractors and loaders.

Arctic Blaster

“M” Category – 250 HP +

The truly powerful plow

“M” Category snow plows are designed for tractors of 250 HP and up. Built for heavy-duty snow removal work, the wide and robust “M” Category plows allow you to be both efficient and versatile.

**1-year
warranty**
shoule.com

**Fast
delivery**
Contact us!



UHMW slides - resistant to abrasion and corrosion.

Reversible hardened steel, trip action cutting edges: 3/4 in. (19 mm) thick.

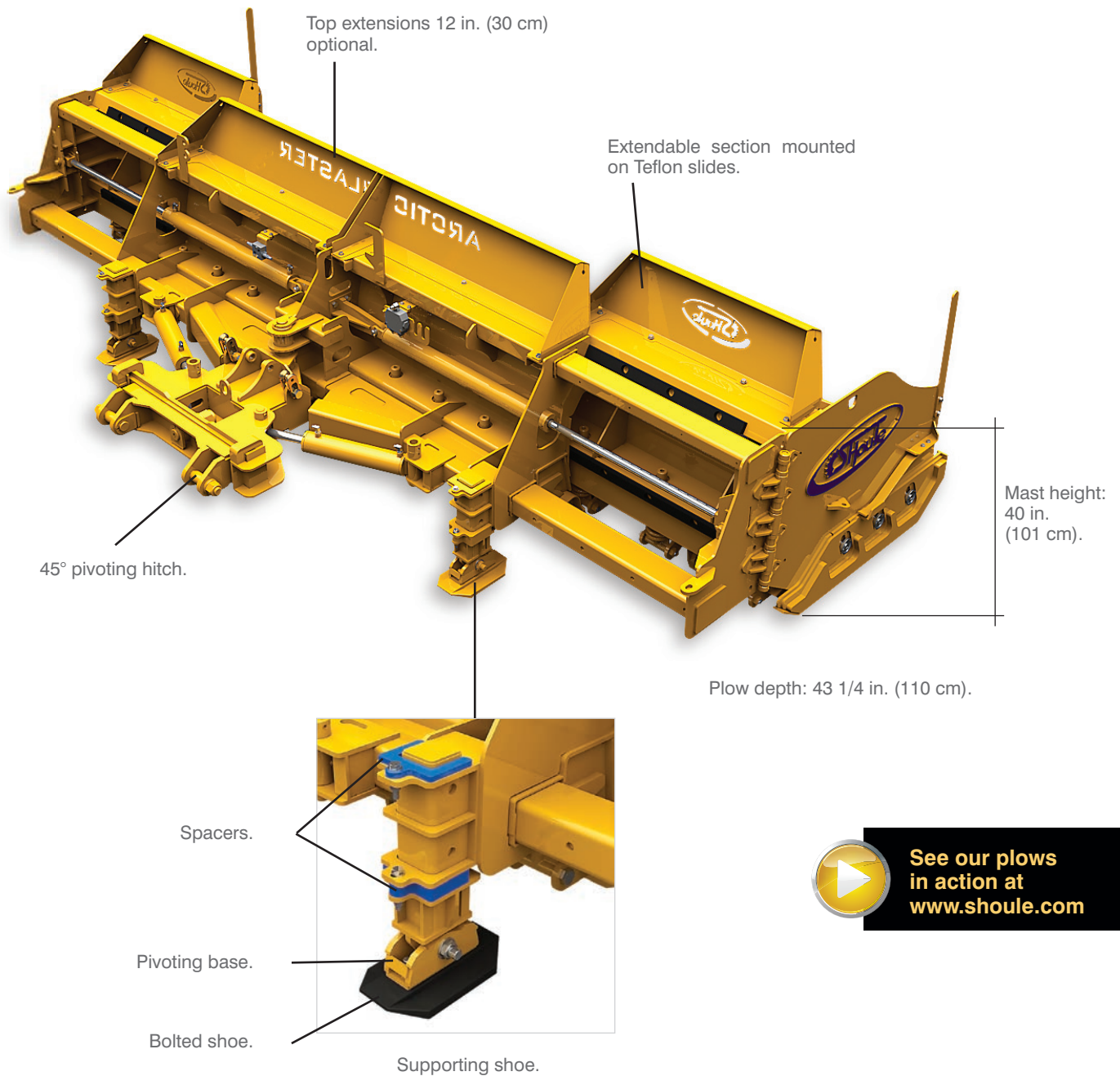
10/16 extendable plow

We also like the Arctic Blaster for:

- Its excellent value for money;
- Its weight. The high inertia allows to plow through snow banks without losing momentum;
- Its high resale value;
- Its low-maintenance design;
- Its overall robustness.



V45 plow



See our plows in action at www.shoule.com

This plow is also available in a fixed model on request.



More details on p.18

	MODEL	DIMENSIONS	WEIGHT	TRACTORS 250 HP (186 kW) AND +
Arctic Blaster "M" Category				
Extendable	8/13	8-13 ft. (2.4-4 m)	5,650 lb (2,563 kg)	●
	10/16	10-16 ft. (3-4.8 m)	6,780-7,050 lb (3,075-3,198 kg)	●
	11/18	11-18 ft. (3.4-5.5 m)	6,975-7,200 lb (3,164-3,266 kg)	●

Our plows are adaptable to all models of tractors and loaders.

Snow Blaster

“S” and “L” Category – from 60 to 250 HP



The advanced inverted plow

The best inverted snow plow! Installed behind the tractor and mounted on the 3-point hitch, the Snow Blaster lets you pull the snow instead of pushing it. Its rugged and reliable construction guarantee you years of use. The “S” and “L” Category plows are suitable for tractors from 60 to 250 HP.

1-year warranty
shoule.com

Fast delivery
Contact us!

Reverse 6/10 extendable plow

Grooves that prevent snow buildup, allowing the skid shoes to glide freely without breaking.

We like it for:

- Its spring loaded system that keeps skid shoes in contact with the ground;
- Its adjustable trip-action system;
- Its top extensions, enabling it to move more snow without overflows;
- Its 3 point hitch system that creates a specific angle for better contact with the ground and superior cleaning;
- Its high resale value;
- Its possible combination with a front plow for twice the productivity.



“S” Category extendable plow

Top extension 10 in. (25 cm) optional.

Extendable sections mounted on rigid, adjustable tubes



Mast height: 28 1/2 in. (72 cm).

Plow depth: 30 3/4 in. (78 cm)

Bolted spring loaded skid shoes.

“L” Category extendable plow with 3 point hitch brackets

Adjustable trip action system.



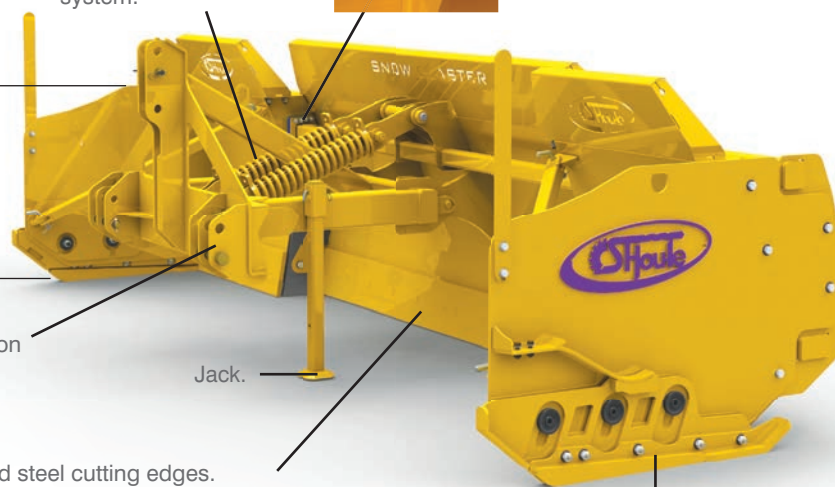
UHMW slides - resistant to abrasion and corrosion.

Find the retailer nearest to you!
www.shoule.com



Mast height: 36 in. (91 cm).

The plow is fitted with an adjustable trip-action mechanism mounted on the 3-point hitch mounting system.



Jack.

Hardened steel cutting edges.
“S” Category: 5/8 in. x 8 in. (16 mm x 20 mm) reversible.
“L” Category: 3/4 in. x 8 in. (19 mm x 20 mm) reversible.

Spring loaded skid shoe with bolted skid plate.

Plow depth: 36 1/2 in. (93 cm).



More details on p.18

	MODEL	DIMENSIONS	WEIGHT	TRACTORS 60-120 HP (44-89 kW)	TRACTORS 110-225 HP (80-168 kW)	TRACTORS 250 HP (186 kW) AND +
Snow Blaster “S” Category						
Extendable	6/10	6-10 ft. (1.8-3 m)	1,875 lb (850 kg)	●		
	7/11	7-11 ft. (2.1-3.4 m)	2,000 lb (907 kg)	●	●	
	8/13	8-13 ft. (2.4-4 m)	2,225 lb (1,009 kg)	●		
Snow Blaster “L” Category						
Extendable	8/13	8-13 ft. (2.4-4 m)	3,250 lb (1,474 kg)		●	●
	10/16	10-16 ft. (3-4.8 m)	3,650 lb (1,655 kg)		●	●

Our plows are adaptable to all models of tractors and loaders.

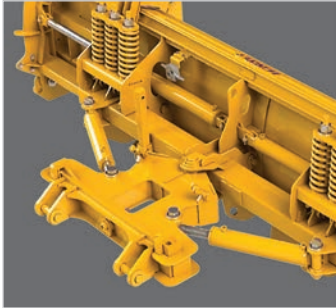


Rugged hitches

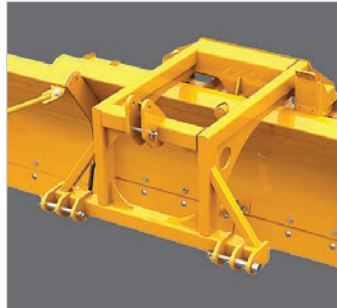
Here are various hitch configurations adaptable to all tractor models and built to suit OEM models, for the best angles and coverage.

Different hitch configurations are available. For more information, visit www.shoule.com or call 1 888 404-4380 for the retailer nearest to you.

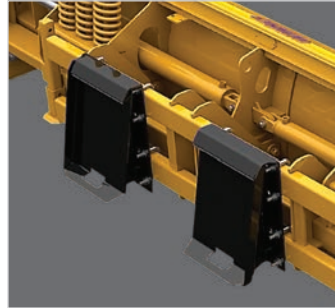
Front end loader installation.



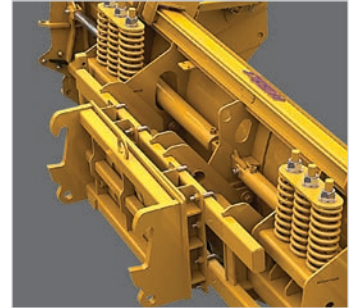
45° angle hitch



3 point hitch



Fixed quick attach brackets for front end loader



Swivel hitch for loader

A universal sub-frame

Thanks to its interface system, our universal sub-frame is designed to fit almost all tractor models. It is extremely strong and resistant to impacts. **There are two sizes available for small and large tractors.**

Sub-frame installation: Winter Blaster.



Attachment for chain or hydraulic cylinder.

Swing arm.

Tractor-harness interface (specific to each tractor model).

Adjustable attachments.

Hydraulic cylinder: 3 in. (76 mm).

Universal frame.

Lateral support plates (specific to each tractor model).

Adjustable rod with bolting plate.

Hydraulic cylinder hookup.



Other sub-frames specially designed to fit specific tractor models are also available. Visit www.shoule.com for more information.

Inverted snow blower

“S-492” Category

Clear more snow faster!

Our various blower models are powerful snow removal tools. Combined with a snow plow, they get the job done in less time.

1-year warranty
shoule.com

Fast delivery
Contact us!

Chute mounted on UHMW slides for smooth rotation.

Renold #80 chain in sealed housing.

We like it for:

- Its hydraulic motor that allows for 280° chute rotation;
- Its chute mounted on UHMW slides to facilitate rotation and reduce wear;
- Its chain in a sealed oil bath;
- Its drive system concealed in a protective casing;
- Its durability and high performance.

Other characteristics

Cutting width	92 in. (233 cm)
Cutting height	29 in. (74 cm)
Weight	1,960 lb (890 kg)

Other front and rear models are available. Visit www.shoule.com for more information.

Because summer comes every year!

Check out our full line of agricultural products



ROCK BUCKETS & GRAPPLES



ROCK RAKES



LAND LEVELERS



DITCH BLADES



TREE SHEARS

www.shoule.com

1 888 404-4380

AGRICULTURAL



NOTHING COMPARES

Designer expertise combined with field experience.
20 years of finesse and unstoppable strength.
The best value package on the market.

That's why they're preferred by the biggest names in the industry and why they continue to grow in popularity.

You'll be looking forward to the next big storm!



300 boul. Industriel, P.O. Box 750
Saint-Germain-de-Grantham, QC J0C 1K0
Tel. : 819 395-4380
Fax : 819 395-5516
info@shoule.com

1 888 404-4380
www.shoule.com