

COMPACT



SNOW REMOVAL EQUIPMENT

**A LINE THAT
DELIVERS RESULTS!**

Arctic Blaster:
Second to none, unmatched results

Snow Blaster:
The fully equipped compact plow

Sidewalk blade: strength combined with versatility

Snow blowers: solid results

**BUILT TO
LAST**



FABRICATION

S. HOULE



Engineers who analyze the smallest details

Nothing is left to chance. Based on a finite element analysis, all stress points on the equipment are subjected to rigorous 3D stress tests, enabling us to optimize parts that are subject to heavy loads. **"We go tough on them to make life easier for you."**

Prototypes are then built and tested over one or more full seasons before being marketed.

Sylvain Houle, son of a farmer, knows his tractors. Raised on a crop farm where high horse power tractors were everyday's work tools, he can attest that most snow removal equipment can't hold up to the power of these behemoths—which is what led him to design plows built to withstand the sheer strength of modern tractors, plows that are not only efficient but among the strongest on the market. What's good for the big boys should also be good for the little boys, right? This philosophy is what led the concept of quality and strength underlying the large plows to be adapted to suit the compact line.



3D stress tests

DO YOU HAVE A SPECIFIC NEED?

Contact us! We would be happy to customize a model for you.

BUILT TO LAST



An automated plant and quick delivery times

The company uses a high-definition plasma cutting table to obtain precise angles and curves for each part. A fully equipped milling machine with CNC lathe for precision assembly guarantees you a perfect product that meets requirements down to the smallest detail. Thanks to a production capacity met by over 30,000 ft.² (9,144 m²) of plant space, Fabrication S. Houle guarantees you a compliant product delivered on time.

A plow that makes the grade

Our snow plows are made from the highest grade steel in the industry. Not only are they stronger, they're also heavier, meaning their inertia is higher. For this reason, a heavier weight can be seen as a major advantage when it comes to efficiency. A greater inertia, allows the plow to withstand impacts, while maintaining its momentum in pushing or pulling snow.

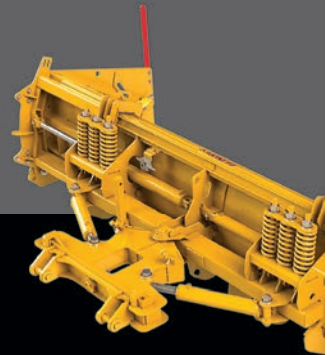
Another reason why our plow is not only strong, but efficient.

Durability with minimal maintenance

With its high grade steel, UHMW slides, hardened steel cutting edges up to 3/4 in. (19 mm) thick, side spring loaded skid shoes, and 2 1/2 in. (6.35 cm) hydraulic cylinders, it has been designed to withstand wear and tear.



On top of our one-year warranty on parts and labour, Fabrication S. Houle's yellow plow has **the best resale value on the market.**



We make sure it works!

Our configurable hitch systems are manufactured to fit all types of tractors. Depending on the tractor model and choice of plow, various options include a harness assembly with 45° angling capability and front end loader attachments, either fixed or swivel.

See page 14 for more details about our hitches.

Arctic Blaster

“C” Category – from 30 to 95 HP

Small but fully equipped

The strong, finely tuned Arctic Blaster series adapts to all conditions. Available in reversible, push and inverted models, “C” Category plows are suitable for tractors from 30 to 95 HP.

1-year warranty
shoule.com

Fast delivery
Contact us!

Mast height:
25 in. (64 cm).

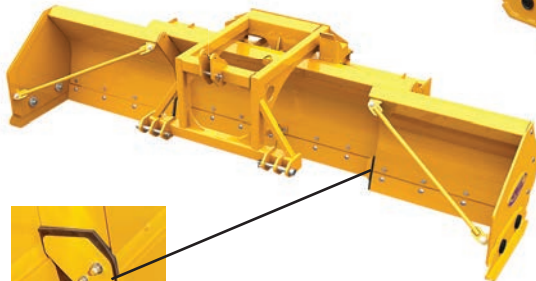
Plow depth: 25 in. (64 cm).

6/10 extendable reversible plow

We like the Arctic Blaster for:

- Its independent trip-action cutting edges that activate on contact with obstacles, for continuous snow clearing;
- Its trip-action system with torsion springs that is more compact than a compression system;
- Its floating skid shoes that provide better contact with the ground;
- Its ability to extend, for 70% increased productivity;
- Its excellent value for money.

Extendable inverted plow with 3-point hitch adapter



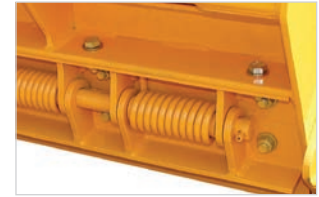
Rubber guards on either side of the extensions to prevent snow from escaping during opening and closing.



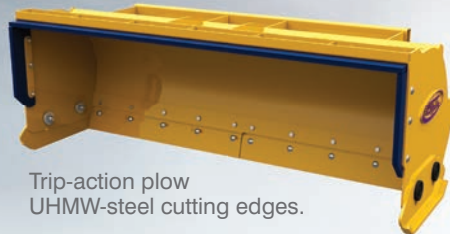
Non-trip action plow
UHMW-rubber cutting edges.



Reversible extendable plow also
available with UHMW cutting edges.



Trip-action system with torsion
springs specially designed for
Fabrication S. Houle.

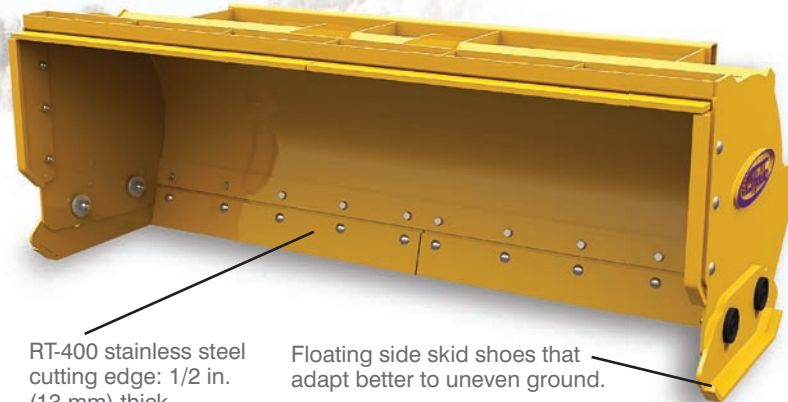


Trip-action plow
UHMW-steel cutting edges.

Skid shoes and cutting edges
also available in:
Highly resistant UHMW plastic,
ideal for paved stone driveways.
Stainless steel, which eliminates
rust marks on pavement.

Fixed reversible plow

The reversible plow allows you to get close to obstacles such as garage doors, fences, cars, etc.



RT-400 stainless steel
cutting edge: 1/2 in.
(13 mm) thick.

Floating side skid shoes that
adapt better to uneven ground.

Extendable reversible plow



7/12 plow depth: 30 in. (76 cm).



More details on p.14

	MODEL	DIMENSIONS	WEIGHT	COMPACT TRACTORS 30-60 HP (22-44 kW)	UTILITY TRACTORS 60-95 HP (44-71 kW)	SKID STEER LOADERS
Arctic Blaster "C" Category						
Extendable 25 in. (63 cm)	5.5/9	5.5-9 ft. (1.7-2.7 m)	1,040 lb (472 kg)	●	●	●
	6/10	6-10 ft. (1.8-3 m)	1,135 lb (515 kg)	●	●	●
Extendable 30 in. (76 cm)	7/12	7-12 ft. (2.1-3.6 m)	1,530 lb (694 kg)	●	●	●
Fixed 25 in. (63 cm)	6	6.5 ft. (2 m)	720 lb (327 kg)	●	●	●
Fixed 30 in. (76 cm)	7	7 ft. (2.1 m)	890 lb (404 kg)	●	●	●
	8	8 ft. (2.4 m)	975 lb (442 kg)	●	●	●

Our plows are adaptable to all models of tractors.

Snow Blaster

“C” Category – from 30 to 70 HP

The advanced plow

The plows in this series are ideal for 30-70 HP compact tractors and 60-70 HP utility tractors. Designed for light work, the inverted plow is ideal for clearing residential driveways. Its rubber cutting edge is safe for use on interlocking paving stones.



1-year warranty
shoule.com

Fast delivery
Contact us!

The perfect match!
Do you want a specific colour?
Fabrication S. Houle will paint your plow the colour of your choice.

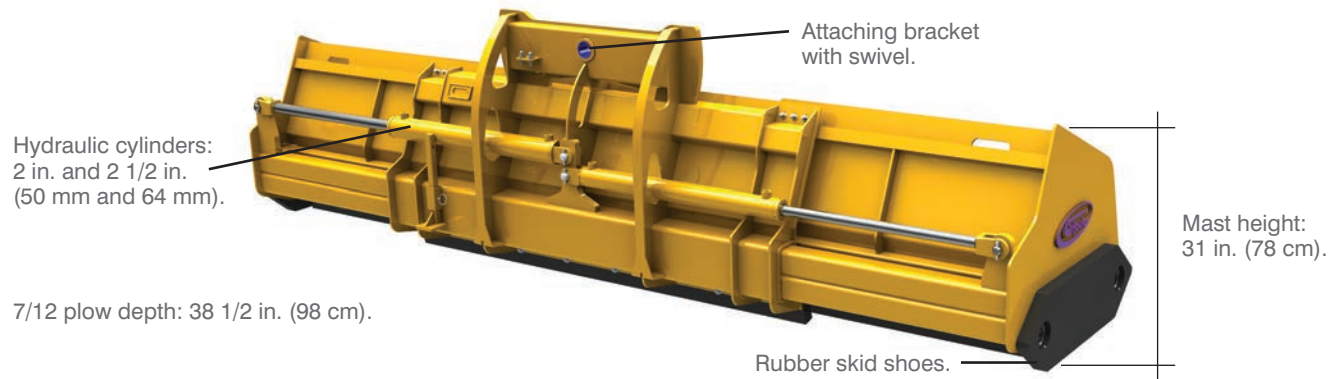
We like it for:

- Its excellent value for money;
- Its rubber cutting edges that are gentler on interlocking paving stones;
- Its weight and its ability to extend, for increased productivity;
- Its ability to avoid obstacles.

Thanks to its unparalleled design, this plow handles like no other in tight spaces.



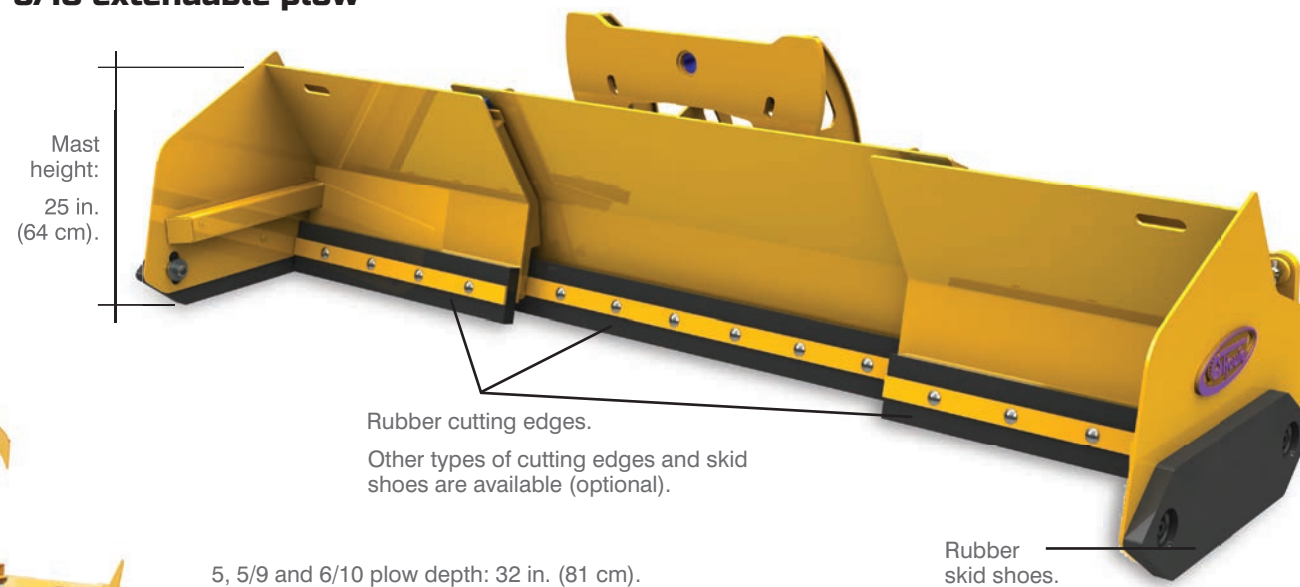
7/12 front or rear extendable plow



7/12 plow depth: 38 1/2 in. (98 cm).

The inverted extendable plow is designed to pull snow. It installs on the front of the tractor on lifting arms or on the rear with a 3 point hitch adapter.

6/10 extendable plow



5, 5/9 and 6/10 plow depth: 32 in. (81 cm).



More details on p.14

	MODEL	DIMENSIONS	WEIGHT	COMPACT TRACTORS 30-60 HP (22-44 kW)	UTILITY TRACTORS 60-70 HP (44-71 kW)
Snow Blaster "C" Category					
Extendable 25 in. (63 cm)	5.5/9	5.5-9 ft. (1.7-2.7 m)	950 lb (430 kg)	•	
	6/10	6-10 ft. (1.8-3 m)	1,045 lb (475 kg)	•	•
Extendable 30 in. (76 cm)	7/12	7-12 ft. (2.1-3.6 m)	1,400 lb (635 kg)	•	•

Our plows are adaptable to all models of tractors.

Sidewalk blades

from 30 to 60 HP

Compact and economical

The sidewalk blade is designed for 30-60 HP compact tractors, municipal vehicles and skid steer loaders. At 60 in. wide, it can be adjusted at an angle to clear snow sideways.

**1-year
warranty**
shoule.com

**Fast
delivery**
Contact us!



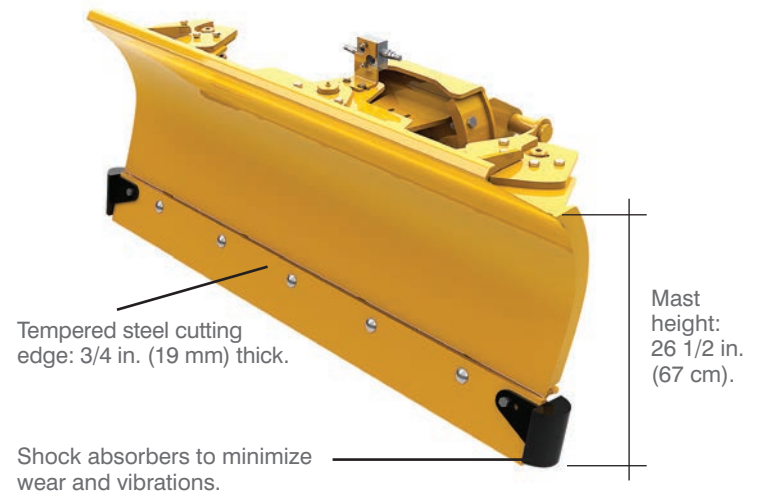
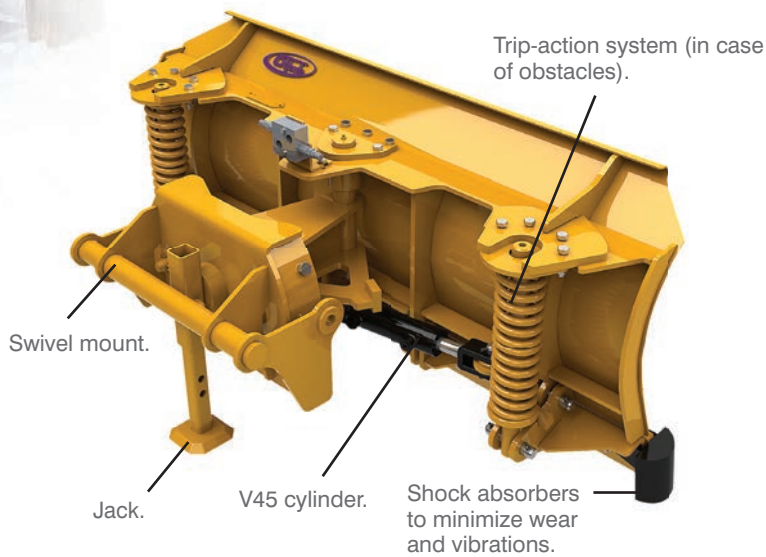
Fixed blade

Tempered steel cutting edge:
3/4 in. (19 mm) thick.

Shock absorbers to minimize
wear and vibrations.

We like it for:

- Its protective shock absorbers;
- Its trip-action torsion spring system that activates on contact with obstacles;
- Its strength and reliability;
- Its excellent value for money.



Fixed blade

	MODEL	DIMENSION	WEIGHT	COMPACT TRACTORS 30-60 HP (22-44 kW)	SKID STEER LOADERS	MUNICIPAL VEHICLES
Sidewalk blade						
Fixed	60 in.	60 in. (1.5 m)	700 lb (318 kg)	●	●	●

Our plows are adaptable to all models of tractors and to several types of utility vehicles.

Snow blowers S-162 and S-172

Clear more snow faster!

Our various blower models are powerful snow removal tools. Combined with a snow plow, they get the job done in less time.

1-year warranty
shoule.com

Fast delivery
Contact us!

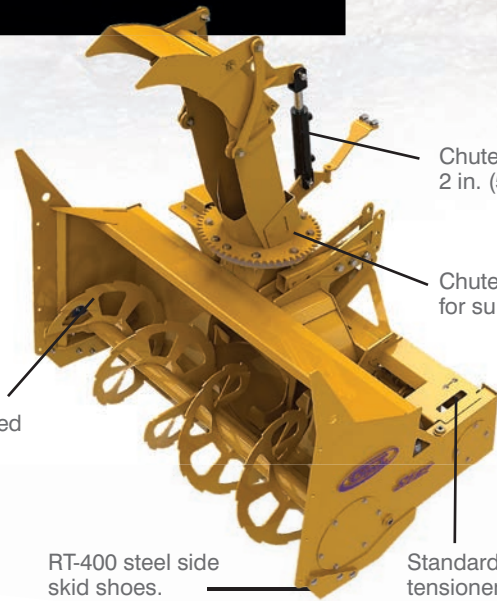
S-162 and S-172 – semi-industrial single auger

We have developed a wide range of harnesses and drive systems for installing our S-162 and S-172 semi industrial snow blowers on both the front and the rear of your compact tractors (30-60 HP).



S-172 snow blower

- We like it for:**
- Its chute mounted on UHMW slides to facilitate rotation and reduce vibrations;
 - Its chain in a sealed oil bath, which limits maintenance;
 - Its drive system concealed in a protective casing.



Other characteristics

Cutting width	62-72 in. (157-183 cm)
Cutting height	30 1/2 in. (77 cm)
Fan RPM	540-685
Drum depth	9 1/2 in. (24 cm)
4-blade fan	24 in. (61 cm) diameter

More details on p.14

	MODEL	DIMENSIONS	WEIGHT	COMPACT TRACTORS 30-60 HP (22-44 kW)
Semi-industrial snow blowers				
Single auger	S-162	62 in. (1.6 m)	1,100 lb (499 kg)	●
	S-172	72 in. (1.8 m)	1,150 lb (522 kg)	●

Our snow blowers are adaptable to all models of tractors and to several types of utility vehicles.

S-250 and S-250 HD

S-250 and S-250HD snow blowers – semi-industrial double auger

The S-250 snow blower adapts to all 30-60 HP tractors, installing either on the front or the rear of the vehicle. The HD model is designed for 50-100 HP tractors. Its drive system is much stronger than the standard model (double auger, double Renold #50 chain, stronger gearbox).

We like it for:

- Its chute mounted on UHMW slides to facilitate rotation and reduce vibrations;
- Its chain in a sealed oil bath, which limits maintenance;
- Its drive system concealed in a protective casing;
- Its stronger, more durable design.



S-250 PTO-driven snow blower



The S-250 HD drive system is extremely robust. With a double auger, double Renold #50 chain, stronger gearbox, etc., the S 250 HD is a high performance snow removal machine.



S-250 HD snow blower Hydraulic drive system.

Other characteristics

Cutting width	50 3/4 in. (129 cm)
Cutting height	37 1/2 in. (95 cm)
Fan RPM	680
Drum depth	9 in. (23 cm)

More details on p.14

	MODEL	DIMENSION	WEIGHT	COMPACT TRACTORS 30-60 HP (22-44 kW)	MUNICIPAL VEHICLES
Semi-industrial snow blowers					
Double auger	S-250	50 in. (1.3 m)	1,175 lb (534 kg)	●	●
	S-250 HD	50 in. (1.3 m) HD	1,175 lb (534 kg)		●

Our snow blowers are adaptable to all models of tractors and to several types of utility vehicles.

Snow blowers

New S-374 and S-380

A new snow blower!

The S-374 and S-380 compact snow blowers can be installed either on the front or the rear of 30-60 HP compact tractors or small utility tractors under 70 HP. Their particular design allows for farther snow throwing and impeccable finishing work.

Chute cylinder: 2 in. (5 cm) diameter x 6 in. (15 cm) stroke.

Chute mounted on UHMW slides for smoother rotation.

Curved drum.

RT-400 steel skid shoes.

1-year warranty
shoule.com

Fast delivery
Contact us!

Standard auger: 19 in. (48 cm), mounted on bearings.

We like it for:

- Its specially designed fan that projects snow further;
- Its rounded drum for impeccable finishing work;
- Its ability to install on either the front or rear of the tractor.



26 in. (66 cm) diameter fan, which requires less power from the tractor while projecting snow further.



Chute cylinder: 2 in. (50 mm) diameter x 6 in. (150 mm) stroke.

Chute mounted on UHMW slides for smoother rotation.

Curved drum.

Replaceable adjustable skid shoes.

S-374 snow blower

More details on p.14

	MODEL	DIMENSIONS	WEIGHT	SKID STEER LOADERS	COMPACT TRACTORS 30-60 HP (22-44 kW)	UTILITY TRACTORS 60-70 HP (44-52 kW)
Compact snow blowers						
S-374	S-374 front	74 in. (1.8 m)	1,040 lb (472 kg)	●	●	
	S-374 rear	74 in. (1.8 m)	1,040 lb (472 kg)		●	
S-380	S-380 front	80 in. (2 m)	1,100 lb (500 kg)	●	●	
	S-380 rear	80 in. (2 m)	1,100 lb (500 kg)		●	●

Our snow blowers are adaptable to all models of tractors and to several types of utility vehicles.

Rugged hitches

Here are various attaching bracket configurations adaptable to all tractor models and built to suit OEM models, for the best angles and coverage.

Different hitch configurations are available. For more information, visit www.shoule.com or call 1 888 404-4380 for the retailer nearest to you.



Fixed attaching bracket



3-point hitch adapter



Alo



Skidsteer



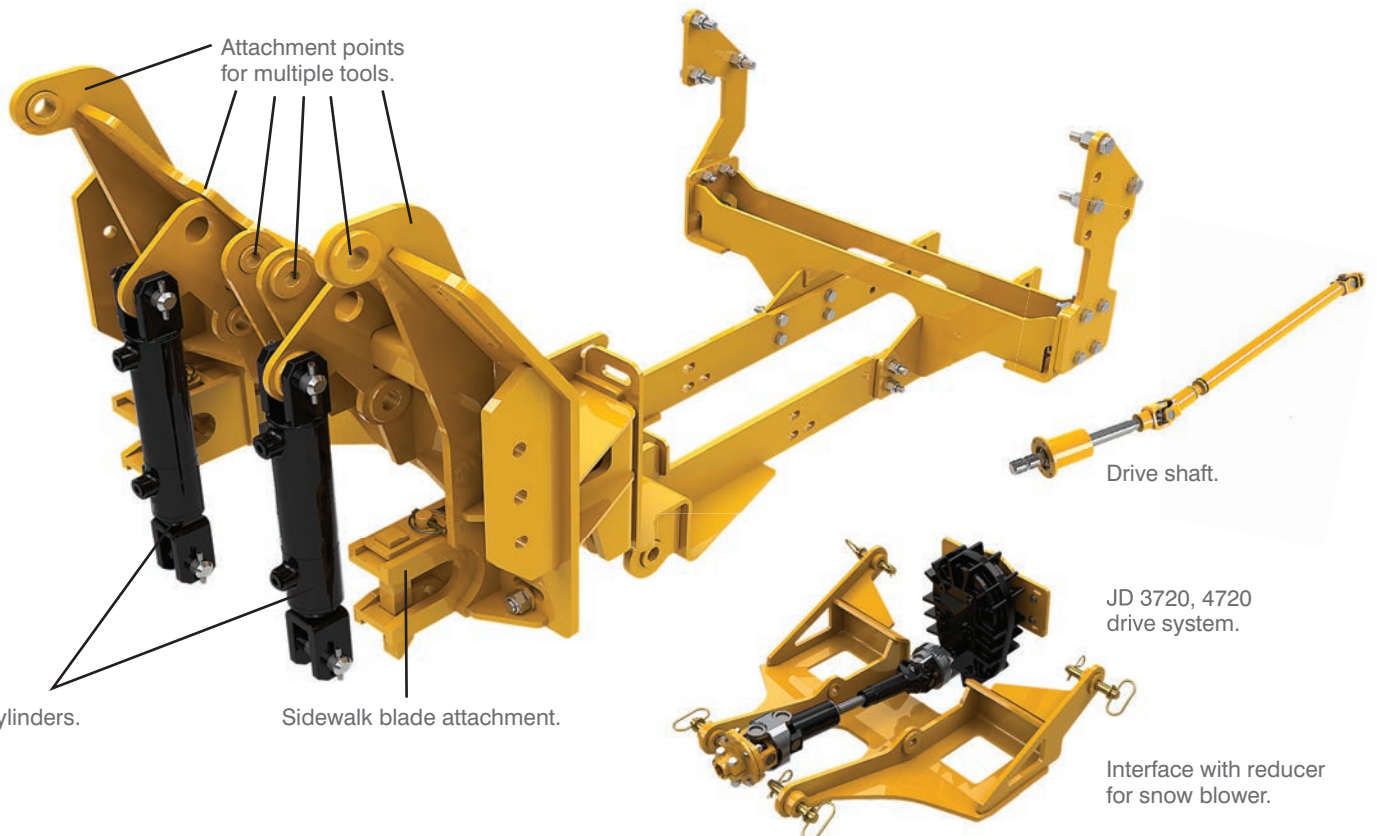
Universal

Sub-frame



Thanks to numerous available interfaces and drive systems, it is possible to attach several different tools to your tractors. The Compact series harnesses are designed for small tractors from 30-60 HP. We have developed a compact harness for the following cab tractor models: John Deere 3720/4720, New Holland 3045 Boomer, Kubota L5740 and Case Farmall. Your model is not on the list? No problem, our designers will adapt a harness for you in just a few days.

These harnesses are compatible with several of our products, including snow plows, snow blowers, and sidewalk blades.



Attachment points for multiple tools.

Drive shaft.

JD 3720, 4720 drive system.

Lift/drop cylinders.

Sidewalk blade attachment.

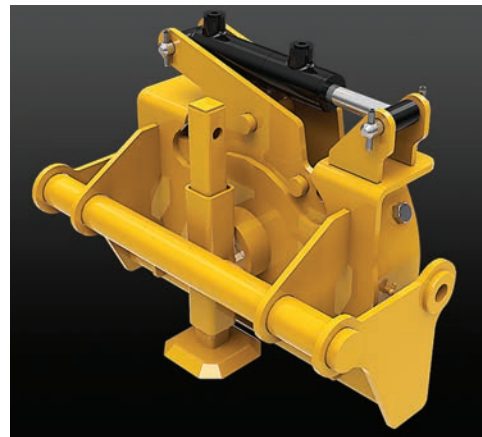
Interface with reducer for snow blower.



Interfaces for sidewalk blade



Mechanical



Hydraulic

**Because summer
comes every year!**

Check out our full line of agricultural products



**ROCK BUCKETS
& GRAPPLES**



**ROCK
RAKES**



**LAND
LEVELERS**



**DITCH
BLADES**



**TREE
SHEARS**

www.shoule.com 1 888 404-4380

COMPACT



NOTHING COMPARES

Designer expertise combined with field experience.
20 years of finesse and unstoppable strength.
The best value package on the market.

That's why they're preferred by the biggest names in the industry and why they continue to grow in popularity.

You'll be looking forward to the next big storm!



300 boul. Industriel, P.O. Box 750
Saint-Germain-de-Grantham, QC J0C 1K0
Tel. : 819 395-4380
Fax : 819 395-5516
info@shoule.com

1 888 404-4380
www.shoule.com