

# Automatic

## Big Capacity Electric Mills



**ABC3600**

If you have the need for large volume processing, here is the mill for you. Automatic big capacity mills maintain uniform particle size—every time.

Big capacity mills are equipped with 9 or 12 inch diameter rolls, up to 34 or 48 inches in length. Corrugations are available for the right particle size from coarse to fine. Complete unit includes the basic mill with fast roll, multiple belt drive, motor mount, belts, mill and motor pulleys.

### Big Capacity Mill Features

- Versatile - mount under discharge outlets or overhead
- Economical
- Heavy-duty rolls
- Auger options for discharge
- Precise roll corrugation for uniform particle size
- Fast-roll belt drive
- Set rolls with a single lever

# Automatic

**ABC900**      Specifications: Roll Size: 9" x 18" • Weight: 750 lbs  
Horsepower: 10-15 hp

Roll Configuration	Dry Corn	High Moisture Corn	Soybeans	Milo	Small Grains
4	900 bsh/hr	700 bsh/hr			
6.5	670 bsh/hr	520 bsh/hr	540 bsh/hr	600 bsh/hr	450 bsh/hr
8	580 bsh/hr	450 bsh/hr	480 bsh/hr	540 bsh/hr	400 bsh/hr
10	490 bsh/hr	380 bsh/hr	390 bsh/hr	480 bsh/hr	360 bsh/hr

**ABC1800**      Specifications: Roll Size: 9" x 34" • Weight: 1100 lbs  
Horsepower: 25-30 hp

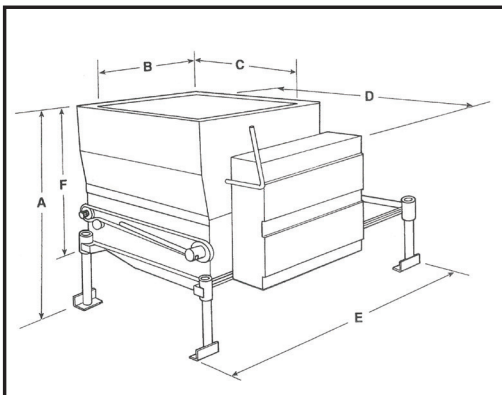
Roll Configuration	Dry Corn	High Moisture Corn	Soybeans	Milo	Small Grains
4	1800 bsh/hr	1600 bsh/hr			
6.5	1350 bsh/hr	1200 bsh/hr	1080 bsh/hr	1200 bsh/hr	900 bsh/hr
8	1170 bsh/hr	1040 bsh/hr	930 bsh/hr	1080 bsh/hr	810 bsh/hr
10	990 bsh/hr	880 bsh/hr	780 bsh/hr	970 bsh/hr	720 bsh/hr

**ABC3600**      Specifications: Roll Size: 12" x 48" • Weight: 1850 lbs  
Horsepower: 60-75 hp

Roll Configuration	Dry Corn	High Moisture Corn	Soybeans	Milo	Small Grains
4	3600 bsh/hr	3200 bsh/hr			
6.5	2700 bsh/hr	2400 bsh/hr	2160 bsh/hr	2350 bsh/hr	1760 bsh/hr
8	2340 bsh/hr	2080 bsh/hr	1840 bsh/hr	2110 bsh/hr	1580 bsh/hr
10	1980 bsh/hr	1760 bsh/hr	1560 bsh/hr	1880 bsh/hr	1410 bsh/hr

**ABC5000**      Specifications: Roll Size: 14" x 54" • Weight: 5500 lbs  
Horsepower: 100 HP, 1800 RPM

Roll Configuration	Dry Corn	High Moisture Corn	Soybeans	Milo	Small Grains
4	6300 bsh/hr	5900 bsh/hr			
6.5	4050 bsh/hr	3600 bsh/hr	3420 bsh/hr	3525 bsh/hr	1760 bsh/hr
8	3510 bsh/hr	3120 bsh/hr	2760 bsh/hr	3165 bsh/hr	2370 bsh/hr
10	2970 bsh/hr	2640 bsh/hr	2340 bsh/hr	2820 bsh/hr	2115 bsh/hr



## Dimensions

Model	A	B	C	D	E	F
900	45	31	20	40	61	32-1/2
1800	45	31	36	56	61	32-1/2
3600	49	31	50	74	68	34-1/2
5000	78	N/A	N/A	86	68	48