

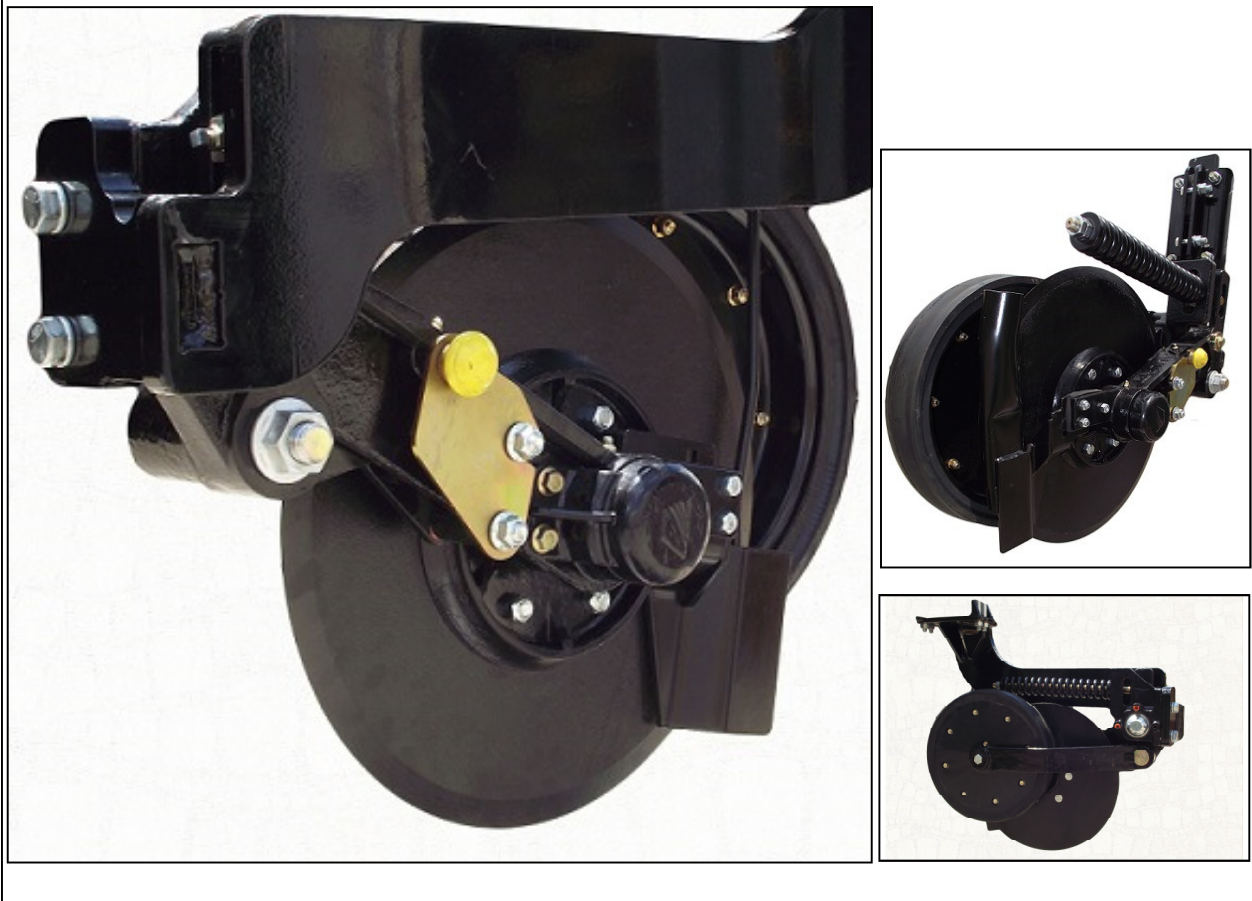


PRODUCT MARKETING BULLETIN

ALL Yetter Dealers & Distributors
BULLETIN Y15-01PMB
January, 2016

4000 Series Nutrient-Pro Fertilizer Coulter NEW PRODUCT ANNOUNCEMENT

Yetter Manufacturing announces a new addition to our Fertilizer Application product offering with the new **4000 Series Nutrient-Pro** Fertilizer Coulter. The spring-loaded single disc opener equipped with a depth control wheel is the right choice for precise placement of liquid or dry fertilizer. The versatility of the fertilizer coulter enables the unit to be frame mounted on the planter or directly mounted to a toolbar for side dressing. The **4000 Series**, in cooperation with Canadian Manufacturer Aulari, has been field proven for six (6) years in tough and diverse field conditions in many global regions. Equipped with either 18" or 20" diameter disc set at either 5 or 7-degree angle with five (5) depth settings from 1.5" to 6" accurately applies fertilizer at high planter and side dressing application speeds. Initial limited production of the **4000 Series Nutrient-Pro** is scheduled for February 2016.



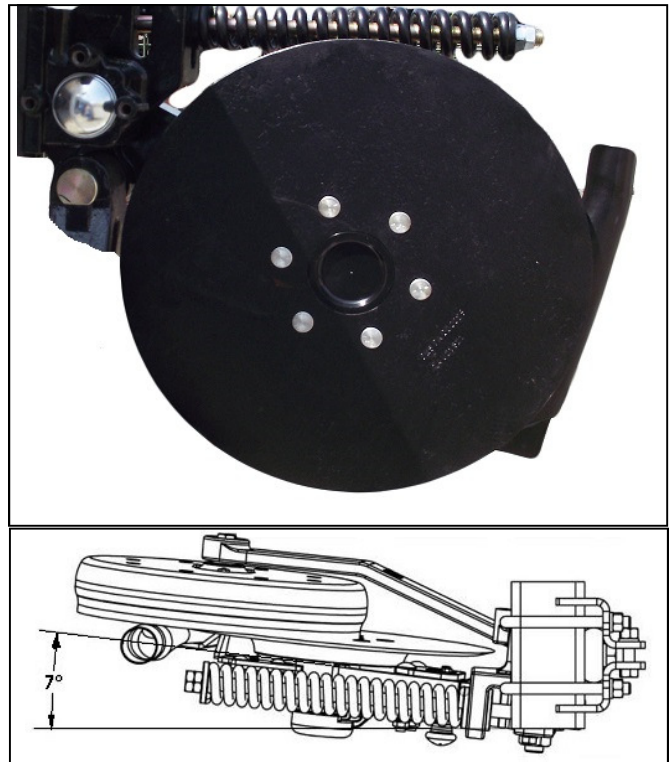
4000 Series Nutrient-Pro Fertilizer Coulter Features

Coulter Disc Sizes

Two smooth sided coulter disc options of 18" or 20" diameter slice through residue and soil to place liquid or dry fertilizer up to 6" deep using the larger disc.

The coulter disc is set at either 5 or 7-degree angle to open fertilizer slot with minimal soil disturbance.

The 0.25" thick coulter disc with beveled edge, produced from boron based steel, are specifically engineered for quality and durability for today's operating speeds.

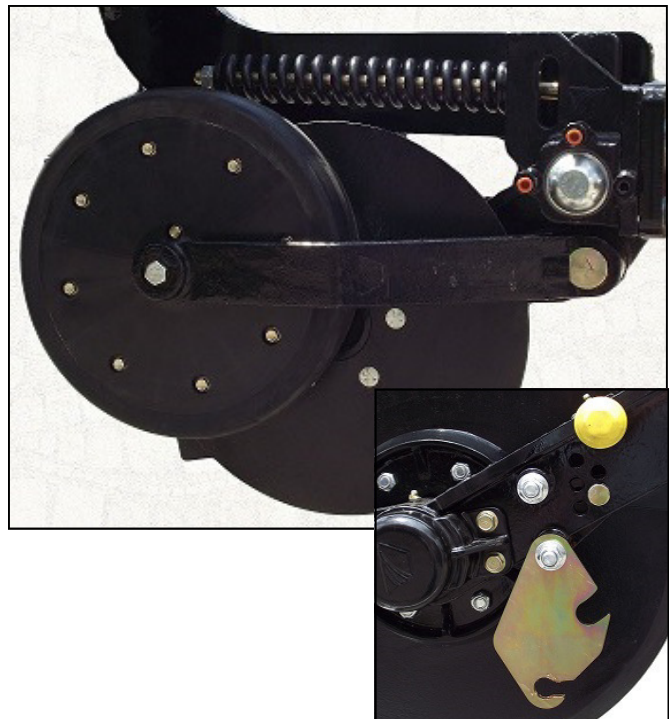


Depth Settings

The Easy-to-Adjust depth setting has five (5) positions to place the fertilizer where desired. No tools required. Simply pull the spring loaded locking pin and rotate the protective cover to access the pull pin. While holding the gauge wheel position the depth control pin in the proper hole for the desired setting.

- Five (5) Depth Settings:
- 1.5" to 5" for 18" Disc
 - 2.5" to 6" for 20" Disc

Depth Settings are in 7/8" increments



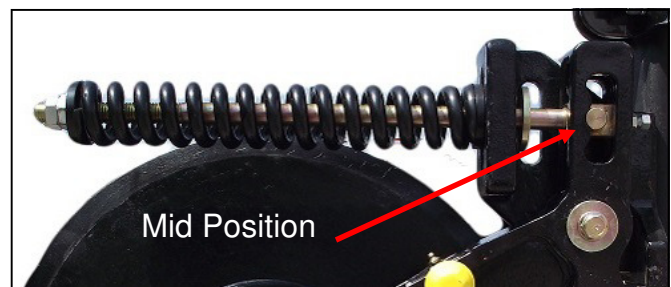
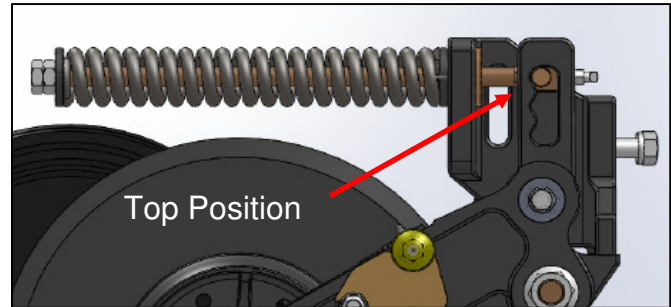
4000 Series Nutrient-Pro Fertilizer Coulter Features

Three (3) Stage Down Pressure

Three (3) positions allow for the quick adjustment of down pressure to maintain penetration in all ground conditions. The spring mechanism maintains constant pressure and provides a cushion in notill conditions and protection against damage from obstructions. The down pressure holds the depth gauge wheels in firm contact with the soil to ensure uniform depth of fertilizer.

Down Pressure Settings (top to bottom):

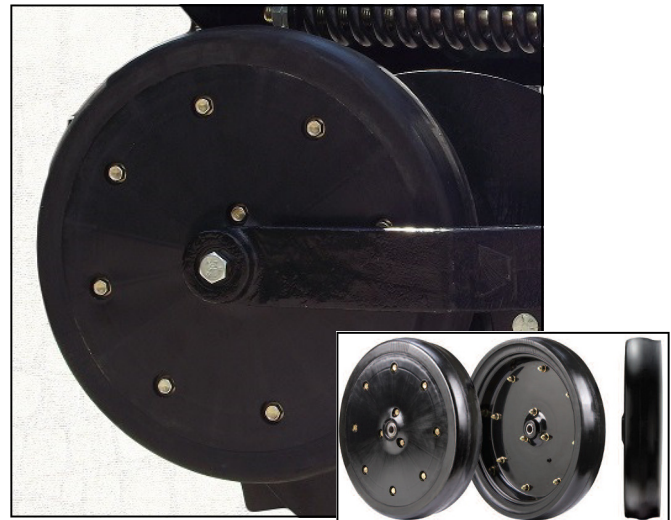
- 640 lbs
- 520 lbs
- 400 lbs



Depth Control Wheel

3" X 16" Depth Gauge Wheel constructed of a durable semi-pneumatic rubber tire, nylon/steel wheels and 40mm O.D. bearings provide consistency in depth control by following the soil profile.

The dual purpose wheel performs as a "Wiper Wheel". The wheel's offset tread design helps prevent soil from building up on the disc blade.



4000 Series Nutrient-Pro Fertilizer Coulter Features

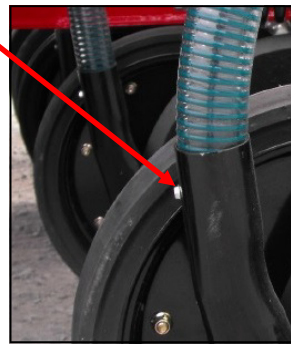
Liquid or Dry Option

Versatility in design allow for both a liquid and dry fertilizer knife to fit on either the 18" or 20" diameter disc.

Stainless steel tube ensures dependable service.

Dry tube is 2" Outside Diameter to allow 1.5" OD supply tube to fit inside. Supply tube secured with #10 x 3/4" self tapping screw.

Liquid tube is 3/8" Outside Diameter



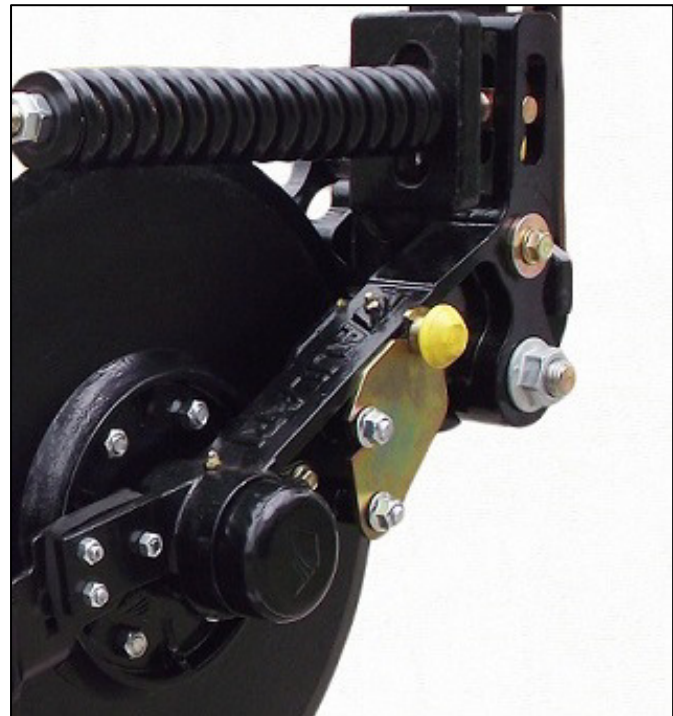
Arm & Hub Assembly

Rugged heat treated cast steel arm construction for dependable service. The "T" shape arm measures 3.5"H x 2.18"W x 0.6"T.

Greasable 6-bolt carbon steel hub with tapered roller bearings for 1.25" Dia. spindle.

Bolted, steel dust cap for better protection against crop residue and stones.

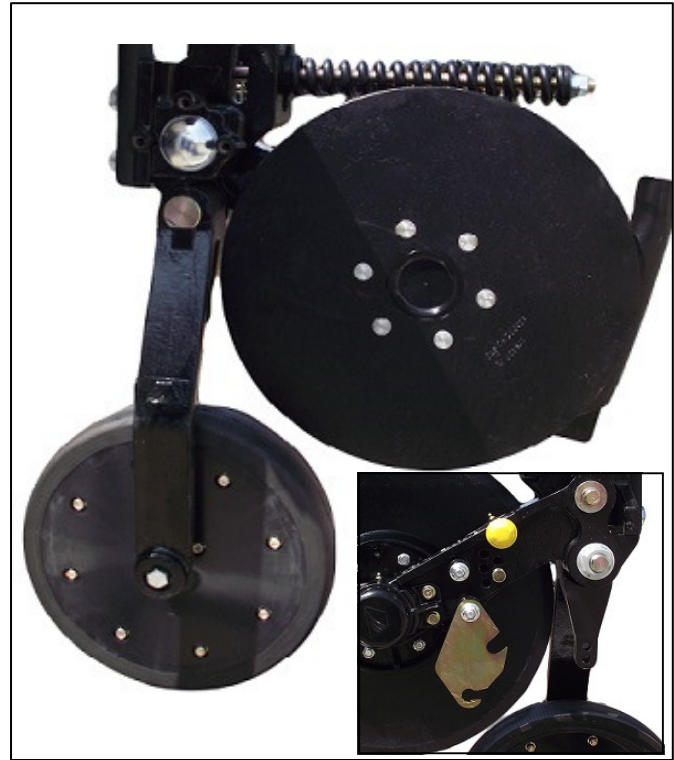
Arm pivot is constructed with a 1.25" Dia pivot shaft with tapered roller bearings.



4000 Series Nutrient-Pro Fertilizer Coulter Features

Coulter Disc Easy Access

Replacing an excessively worn coulter disc is simple. Pull the depth control pin and allow the depth gauge wheel to rotate towards the ground. This will allow unobstructed access to the coulter disc.



Disc Sealer (Optional)

Optional disc sealer eliminates the potential for open trench. The wheel mounted at a 25° angle closes the slot to keep nutrients where intended.

12" Dia beveled-edge cast iron wheel is assembled on a spring loaded arm to maintain adequate down pressure while following the ground contour. The wheel is equipped with two 40mm ball bearings for durability and reliability.

Multiple mounting holes to position the wheel laterally to close the trench in various soil conditions.



4000 Series Nutrient-Pro Fertilizer Coulter Features

Mounting Kits

Mounting kits to fit several popular planter models. The coulter assembly is bolted directly to the mount brackets and/or toolbar clamps are utilized.

John Deere: 1720/25¹, 1750/55, 1760/65NT 8-Row²

CNH: 1225, 1235¹, 1240/45 12 & 16-Row, 1250/55 12, 16 & 24²-Row.

White: 8100 6, 8 & 12-Row, 8816, 8824, 9812, 9816, 9824

Kinze: 3000 4, 6 & 8-Row, 3600 8, 12 & 16-Row

Coulter placement is 2" to 4" off of row.

¹ Requires extra toolbar

² Equipped with 3" x 13" Depth Wheel



Toolbar Clamps & Shanks

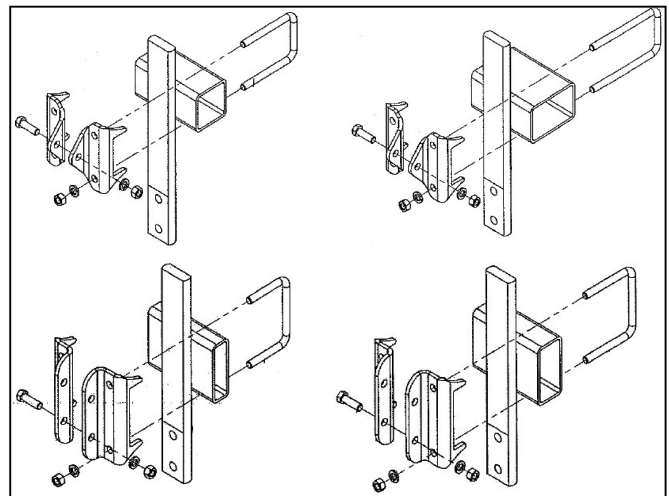
Toolbar clamps are available to fit many configurations. Toolbar size: Horizontal x Vertical

Square Tubes: 7" x 7", 4" x 4", 3" x 3"

Rectangular Tubes: 3" x 6", 2" x 6", 5" x 7", 3" x 7", 4" x 6", 6" x 4"

Diamond Tubes: 3" x 3"

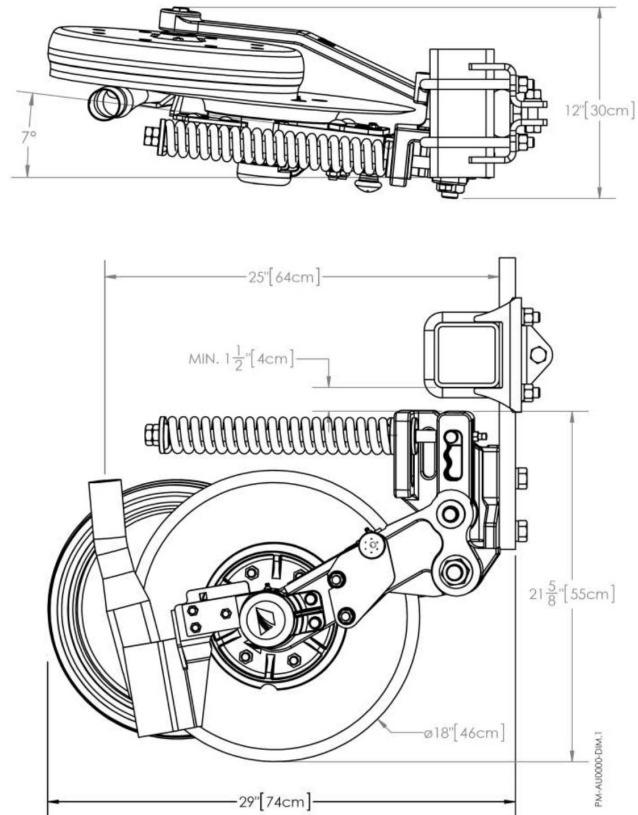
Flat Shanks: 1"x3"x18", 1"x3"x21"



4000 Series Nutrient-Pro Fertilizer Coulter Features

Coulter Dimensions

The coulter was designed to maximize performance within compact space constraints for today's narrow folding planter configurations. The coulter offers excellent precision placement of liquid and dry fertilizer on today's most popular models and on tomorrow's planters and toolbars. Yetter will continue to work with customers and OEM's to expand the coulter offering to more equipment.



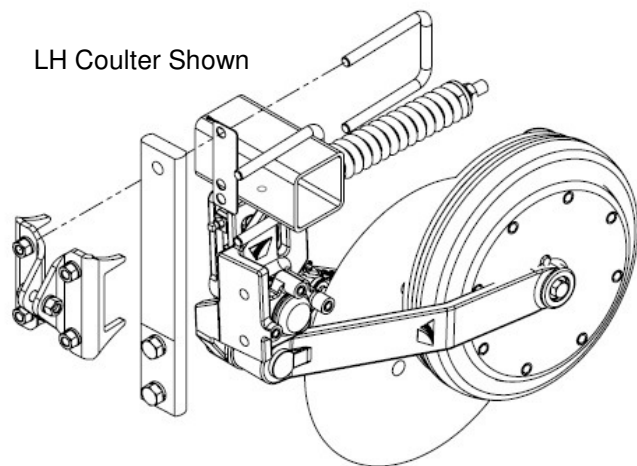
Coulter Shim (Optional)

Part No. 4000-101

In situations when a smaller fertilizer trench is desired or more clearance is required on the outside of the depth control wheel an optional shim is offered.

Install shim as shown to decrease the angle of the coulter by 2 degrees, from 7 to 5 degrees.

To decrease angle of the RH coulter, install the shim on the left U-bolt.



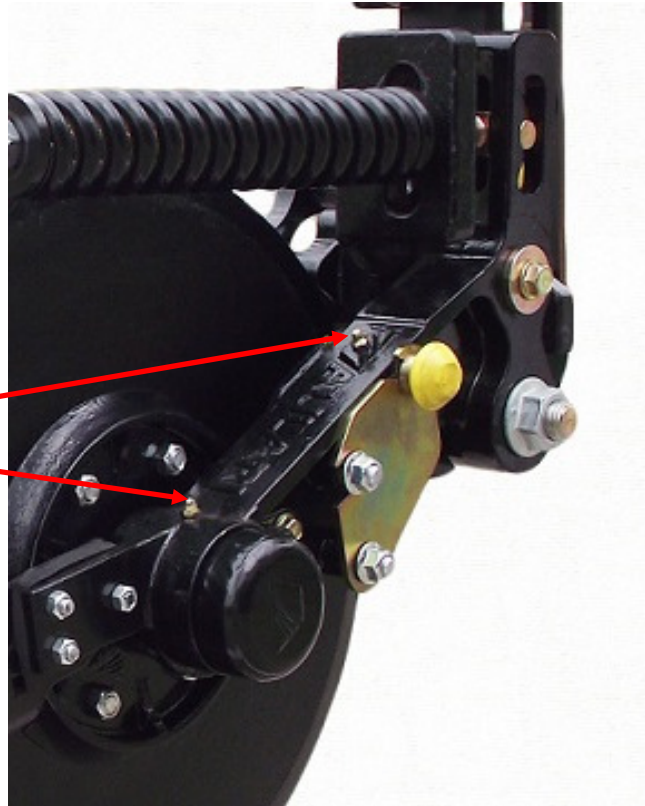
4000 Series Nutrient-Pro Fertilizer Coulter Maintenance

Coulter Lubrication

To ensure longevity and reliability of the coulter, the recommended lubrication schedule should be followed by using No. 2 multi-purpose lithium grease.

Each coulter is equipped with (2) grease zerks.

- 1) Depth Control Pin: Each Season
- 2) Hub Bearing: Each Season



4000 Series Nutrient-Pro Fertilizer Coulter Specifications

Dimensions & Weights

Description	Part No.	lb (kg)
Coulter Assembly with Liquid Knife		
Fertilizer Coulter 18" RH	4000-003	149 (67.6)
Fertilizer Coulter 18" LH	4000-004	149 (67.6)
Fertilizer Coulter 20" RH	4000-007	152 (69.0)
Fertilizer Coulter 20" LH	4000-008	152 (69.0)
Coulter Assembly with Dry Knife		
Fertilizer Coulter 18" RH	4000-001	150 (68.0)
Fertilizer Coulter 18" LH	4000-002	150 (68.0)
Fertilizer Coulter 20" RH	4000-005	153 (69.4)
Fertilizer Coulter 20" LH	4000-006	153 (69.4)
Shanks		
21" Flat Shank	4000-080	15 (6.8)
18" Flat Shank	4000-081	13 (5.9)
Clamp Kit includes u-bolts and hardware - toolbar size horiz x vert		
3 x 3 Diamond Clamp Kit	4000-040	8 (3.6)
4 x 4 Clamp Kit	4000-041	9 (4.1)
6 x 4 Clamp Kit	4000-042	9 (4.1)
2 x 6 Clamp Kit	4000-043	9 (4.1)
3 x 6 Clamp Kit	4000-044	9 (4.1)
3 x 7 Clamp Kit	4000-045	9 (4.1)
5 x 7 Clamp Kit	4000-046	9 (4.1)
7 x 7 Clamp Kit	4000-047	13 (5.9)
4 x 6 Clamp Kit	4000-048	9 (4.1)
Optional Equipment		
Disc Sealer RH	4000-070	TBA
Disc Sealer LH	4000-071	TBA
Coulter Shim lb (kg)	4000-101	TBA
Accessories		
Liquid Knife RH	4000-230	TBA
Liquid Knife LH	4000-231	TBA
Dry Knife RH	4000-232	TBA
Dry Knife LH	4000-233	TBA

Flow Rates

Dry Fertilizer

Maximum Fertilizer Rate thru 2" dia tube lb/acre (kg/ha)500 (550)

Liquid Fertilizer

Maximum Fertilizer Rate thru 3/8" dia tube lb/acre (kg/ha)TBA