

Disc Mowers

Mounted & Trailed



www.kuhn.com



Invest in Quality®

GMD SELECT / PREMIUM / 355 / 11 SERIES / 51 TL SERIES / 51 TC SERIES

THE NEXT GENERATION OF KUHN MOWERS: BENEFIT FROM OVER 50 YEARS OF EXPERIENCE

As the innovator and worldwide industry leader, KUHN knows disc mowers. From the original model, made in the early 60's, to the industry leading mounted and trailed models of today, KUHN designs mowers to fit your needs. Whether it's smaller and economical or wider and feature-rich, our aim is always the same—make simple to operate, highly dependable clean-cutting machines.

MAXIMIZE THE VALUE OF YOUR HAY

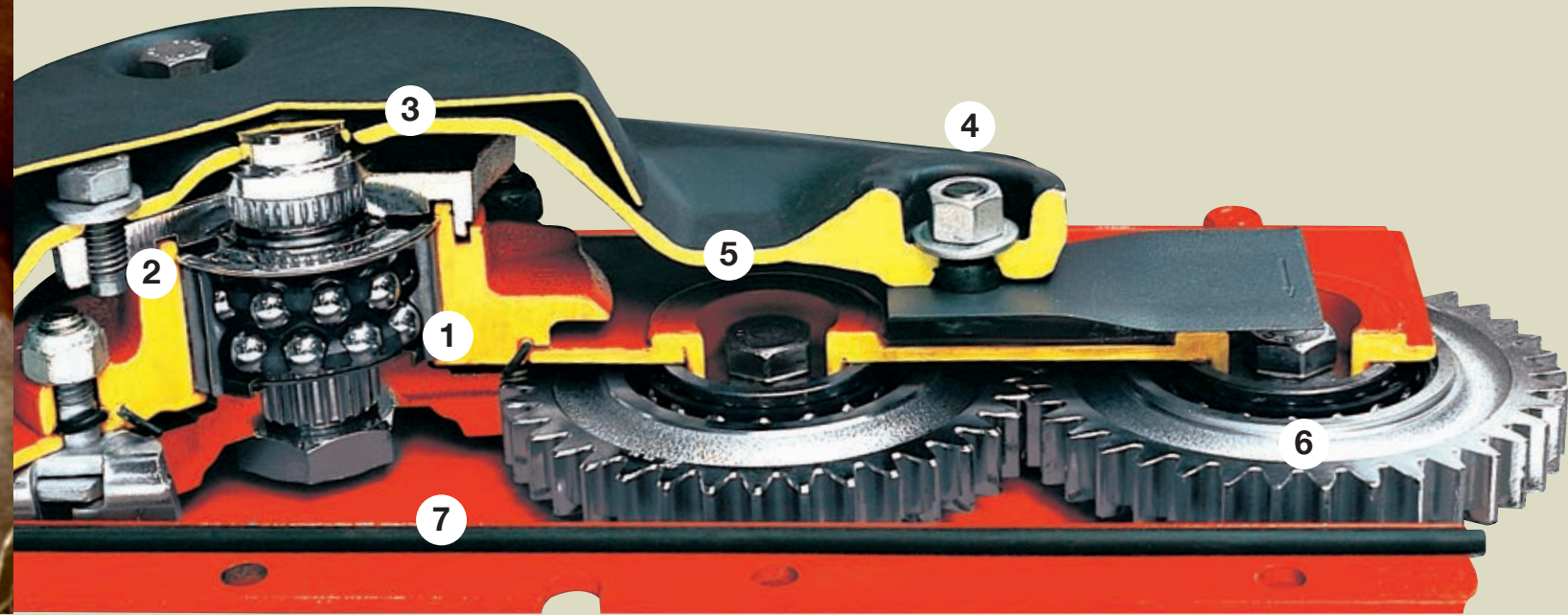
Cows don't like to eat dirt. The first and most important step to limit dirt in your hay crop is a clean cut that leaves an even stubble height for your crop to dry down on. With KUHN cutterbars, little to no cutterbar tilt is required, which reduces dirt and rock intake. Our focus on cutterbar flotation and suspension allows for maximum adaptability in various ground conditions.

SAVE TIME AND ENJOY STRESS-FREE USE

Whether it's the world renowned 100 Series or the heavy-duty, low-maintenance Optidisc® Elite cutterbar, KUHN cutterbars stand for dependability and high-quality cutting. All KUHN mowers have been designed to adjust and operate as simply as possible.

DISC MOWERS in brief:

Models	Working Width	Horsepower Requirement	Mower Type
GMD 16	5'3" (1.6 m)	28 hp (21 kW)	Mounted Select
GMD 20	6'7" (2 m)	35 hp (25 kW)	Mounted Select
GMD 24	7'10" (2.4 m)	42 hp (31 kW)	Mounted Select
GMD 28	9'2" (2.8 m)	50 hp (37 kW)	Mounted Select
GMD 240	7'10" (2.4 m)	42 hp (31 kW)	Mounted Premium
GMD 280	9'2" (2.8 m)	50 hp (37 kW)	Mounted Premium
GMD 310	10'2" (3.1 m)	55 hp (41 kW)	Mounted Premium
GMD 355	11'6" (3.5 m)	75 hp (56 kW)	Mounted Premium
GMD 3511	11'6" (3.5 m)	93 hp (70 kW)	Mounted Horizontal Fold
GMD 4011	13' (4 m)	110 hp (82 kW)	Mounted Horizontal Fold
GMD 4411	14'4" (4.4 m)	120 hp (90 kW)	Mounted Horizontal Fold
GMD 2851 TL	9'2" (2.8 m)	40 hp (30 kW)	Trailed – Side Pull
GMD 3151 TL	10'2" (3.1 m)	47 hp (35 kW)	Trailed – Side Pull
GMD 3551 TL	11'6" (3.5 m)	54 hp (40 kW)	Trailed – Side Pull
GMD 4051 TL	13' (4 m)	60 hp (45 kW)	Trailed – Side Pull
GMD 5251 TC	17'1" (5.2 m)	90 hp (67 kW)	Trailed – Center Pivot



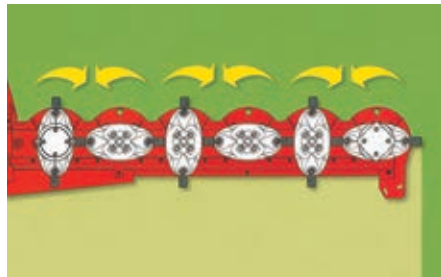
CLEAN CROP FOR HIGHER REVENUES

In the current environment of fluctuating grain and concentrate prices, the quality of forages is more than ever. Mowing is the first step in the hay and silage making process where machine performance directly impacts the nutritional value of the forage. KUHN mowers have evolved in order to harvest all the crop's potential value. This has happened by listening to farmers' needs and translating them into specific solutions.



CUTTING AT THE RIGHT HEIGHT

- Fewer impurities are incorporated into the crop, not only when mowing but also during harvesting operations.
- The right cutting height is important to produce high-value forage. If cut too close to the ground, undesirable weeds and plants may have a better chance to grow.
- Crop yield and regrowth are increased by preserving the plant's crown, which contains the sugar reserves of the plant and the new buds.



CROP MUST BE CUT, NOT CHOPPED UP

The crop should be quickly ejected into the swath and only cut once. Double-cutting causes higher crop loss and increases the power requirement on the tractor. On KUHN mowers each pair of discs is driven with a converging rotation. This ensures that no double-cutting will occur to reduce your crop's quality.

TAKE A CLOSER LOOK AT DECADES OF PROVEN RELIABILITY

Some disc mowers may look like a KUHN from the outside. However, it's what is on the inside that counts. KUHN's design and construction standards ensure a long life and reliable operation. See for yourself by taking a closer look at what the 100 Series cutterbar has to offer.

- 1. Withstands the highest loads:** special high-capacity bearings fitted in a one-piece sealed housing are not subject to distortion.
- 2. Increased service life:** disc pinion shaft bearings endure radial forces for maximum bearing life. This optimum position improves the load balance.
- 3. Protection should an obstacle be struck:** the Protectadrive system is designed to protect the cutterbar gear train and minimizes the risk of downtime.
- 4. High wear resistance:** knife attachment hardware is fully protected. For added safety, heat treated steel cups are welded to the disc.
- 5. Minimum wear or distortion risks:** idler gear fasteners are located in heat treated steel cups. Correct alignment is ensured without the risk of distortion.
- 6. Long-term reliability:** large-diameter gearwheels in high-tensile forged steel with reinforced teeth.
- 7. Perfect sealing:** top-quality o-rings used on cutterbar bearing housings for a perfect, leak-free seal.

Found on GMD 16/20/24/28/240/280/310/355



MINIMIZED DOWNTIME

- The disc bearing station can be removed and mounted quickly and easily. The repair can be carried out with reduced costs from the outside, minimizing downtime.
- Total safety in case an obstacle is struck: the threaded pins of the disc housings are solidly linked to the upper half casing. There is no weak point or risk that they could be ripped out.

FEATURES FOR CLEAN FORAGE AND PERFECTLY STRUCTURED SWATHS

Clean hay and silage with high nutritional value is the key to increase your herd's productivity. KUHN offers several standard and optional features that allow the swath to be tailored to what best suits your specific needs.



FOR IMPROVED COUPLING OF TRACTOR AND MOWER!



STANDARD: OFFSET CAPABILITY

To ensure a full cutting width when the mower is attached to tractors with various track widths, the GMD 240 to 355 have an offset range of 2" (50 mm) to the left and to the right.



OPTION: GREATER OFFSET CAPABILITY

An extends left hitch pin is available that extends the offset of the GMD 240 to 310 up to 8" (200 mm) to the right.



QUICK-HITCH READY!

The GMD 240, 280, and 310 models are compatible with Category 2 Quick-Hitch frames. Quick-Hitch must meet current ASABE specifications.



STANDARD: OUTER SWATH WHEEL FOR PERFECT SWATH FORMATION

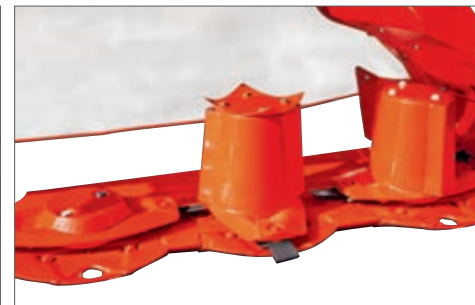
A swath wheel is mounted behind the outer disc cone and separates cut from uncut crop allowing the right tractor wheels to drive over the ground instead of the previously cut crop. Swath wheel advantages over a swath board include:

- It fits entirely under the curtain.
- It has no ground contact.
- Damage by backing or turning is eliminated.



OPTION: INNER SWATH WHEEL FOR GMD 24 AND 240

This wheel reduces the swath width on the GMD 24 and 240 to approximately 4'11" – 5'3" (1.5–1.6 m).



OPTION: SECOND INNER HIGH CONE FOR GMD 28 AND 280

To reduce swath width on these mowers, the second flat disc is replaced with a high cone that reduces the swath width to approximately 5'7"– 5'11" (1.7–1.8 m).



OPTION: EXTENDED INNER SWATH WHEEL FOR GMD 28 AND 280

Used in connection with the second high cone, the inner swath wheel on the GMD 28 and 280 will reduce the swath to approximately 4'11" (1.5 m).



OPTION: CUTTERBAR RAISED SKIDS

These raised skids are available for mowing conditions which require elevated cutting heights. Up to 3 1/2" (90 mm) are possible. They will also prove useful in wet and sticky mowing conditions.



SIMPLE DESIGN, SUPERB CUTTING QUALITY

The GMD Select Series is an evolution of existing KUHN mowers for small and mid-sized farms. These mowers, with working widths from 5'3" to 9'2" (1.6 to 2.8 m), combine a simple structure with key features, resulting in a clean and even cut. As standard, all models are equipped with the proven reliability of the 100 Series cutterbar.



HOW TO ENSURE A CLEAN AND EVEN CUT

CUTTERBAR FOLLOWS TERRAIN CHANGES INSTANTANEOUSLY

The distance between the cutterbar and the rear tractor wheels is very short. This enables the cutterbar to quickly react to changes of the terrain. Therefore, the cutting height remains uniform.



DOESN'T RECUT CROP

The shape of the discs allows for a quick transfer of crop rearward allowing the crop to quickly be formed into a swath. A recut of the grass is therefore avoided. As crop leaves the cutting area, no outside support greatly reduces the chance of crop wrapping.



SUSPENSION SPRING FOR ACCURATE GROUND ADAPTATION

The suspension spring allows accurate adaptation of cutterbar flotation to ground contours. The flotation spring tension is determined by adjusting the main frame height using the tractor's 3-point lift.



ARTICULATED UNIT TO FOLLOW CONTOURS CLOSELY

The articulated cutting unit follows ground contours with maximum accuracy, even when mowing banks or ditches.



SAFETY BREAKAWAY MECHANISM

Should an obstacle be struck, the safety breakaway causes the mower unit to swing slightly backwards. The impact is significantly reduced. You can reset the device simply by reversing.



PTO SHAFT WITH OVERRUNNING CLUTCH

A PTO shaft with overrunning clutch is recommended if the mower is attached to a tractor with an automatic, hydraulic PTO brake. An overrunning clutch is standard on the GMD 28.



STANDARD DISCS

Standard discs allow for clean cutting and quick crop evacuation. Beveled reversible knives are standard. Ribbed knives are available for rocky conditions.



THE MARKET REFERENCE FOR A REASON

The best-selling hay mowers in the world are renewed with the KUHN GMD Premium Series mounted disc mowers. Replacing the highly popular 100 Series HD machines, these mowers provide increased durability, enhanced features and a cleaner look for years of low maintenance hay production.

In addition to the Premium Series, KUHN also offers the GMD 355 disc mower for operators who are looking for versatility, high cutting performance and durability.



FOR OUTSTANDING CUT QUALITY

EVEN FLOTATION OVER THE ENTIRE CUTTERBAR

A heavier compensating spring ensures that the cutterbar will operate with optimum ground pressure through a wide range of terrain and contours.



CLEVER DESIGN FOR BETTER ERGONOMICS

The lift and suspension system allows both the cutterbar and the inner shoe to be raised off the ground using only the mower's hydraulic cylinder, simplifying operation and increasing productivity. The tractor's 3-point hitch stays at the same preset height.



FULL RANGE OF OPERATING ANGLES

Through the design of the mowing unit articulation, mowing banks and terraces is possible at a tilt angle up to 35° and down to -25°, depending on the model.



SMOOTHER OPERATION ON HEADLANDS

To limit the mowing unit lift in headland turn position, a hydraulic shut-off valve is used. This enables smoother operating and increased structure life.



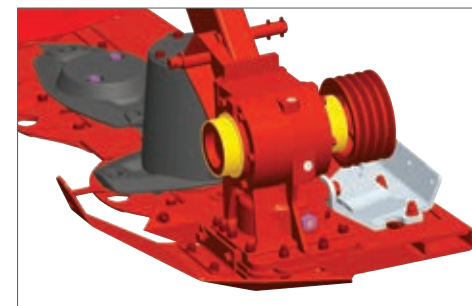
WITHSTANDS INCREASING DEMANDS

In order to better withstand strains during work and transport, a reinforced attachment frame has been introduced on all models. It is capable of withstanding 70% more stress, which can occur if used in difficult field conditions.



COVER FRAMEWORK

The redesigned curtain and frame simplifies maintenance access to the cutterbar while increasing durability when mowing around field edges.



HEAVY-DUTY REINFORCED PIVOT POINTS LINK GEARBOX AND CUTTERBAR

A reinforcement bracket links the bevel gearbox to the rear cutterbar stiffener. The main articulations of these machines have been redesigned to further meet long-term use. The cutterbar is articulated on bronze bushings on all models. **Found on the GMD 240, 280 and 310.**



DIRECT DRIVE DESIGN

The GMD 355 mower has a direct drive through the first disc into the 100 series cutterbar. This allows more clearance to not catch crop from previously made windrows.



GOOD CLEARANCE BETWEEN CUT AND UNCUT AREAS

The outside swath wheel provides greater definition between cut and uncut crop to prevent recutting. It allows the inside tractor wheel to run on an area without crop during the next pass.

FROM WORK TO TRANSPORT IN THE BLINK OF AN EYE



CHANGE TO TRANSPORT POSITION FROM THE CAB

The GMD 240, 280, and 310 can be pivoted hydraulically into transport position via an optional pivot cylinder. This means that changing from work to transport mode has never been easier. You will especially appreciate the time saved when working in small fields.



HEAVY-DUTY (HD) DISCS

These discs offer a service life that out matches all other discs on the market and are adapted to intensive mowing conditions. The GMD 240, 280 and 310 mowers are equipped with heavy-duty discs as standard. Beveled knives are standard and ribbed knives are optional.



FAST-FIT® DISCS

The GMD 240, 280, and 310 mowers can be equipped with Fast-Fit® knives in an optional kit. They allow the operator to rapidly change knives in the field. Fast-Fit is only possible on standard discs, which is included in the kit. The GMD 355 mower comes standard with Fast-Fit® knives.

PRACTICAL FEATURES TO SAVE TIME DURING WORK



SEMI-AUTOMATIC BELT TENSION

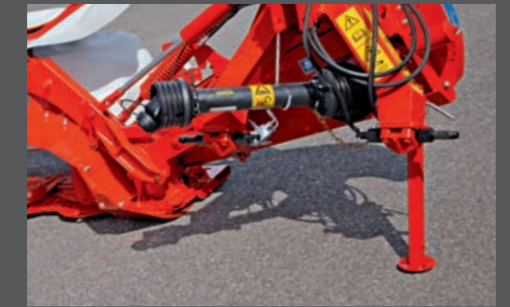
This system simplifies maintenance and accurately adjusts for increased belt service life.



ONE TOOL FOR ALL ADJUSTMENTS

One tool, supplied with the mower and stored in an integrated toolbox, can perform all of the following tasks:

- Adjustment of the flotation spring
- Unlocking the safety cover
- Belt tension adjustment
- Replacement of knives (if bolted)



NO TIME TO LOSE

To save time during the busy hay season, the GMD 240, 280, 310 and 355 are equipped with a driveshaft with 100-hour greasing intervals. Only four zerks require greasing.



RETAIN THE RESALE VALUE OF YOUR MACHINE!

Should an obstacle be encountered, the safety breakaway allows the mower to swing slightly rearwards, significantly reducing the impact load on the cutterbar. The device is simply reset by backing up.



THE OPTIDISC® ELITE CUTTERBAR: A CLEAN & CONSISTENT CUT

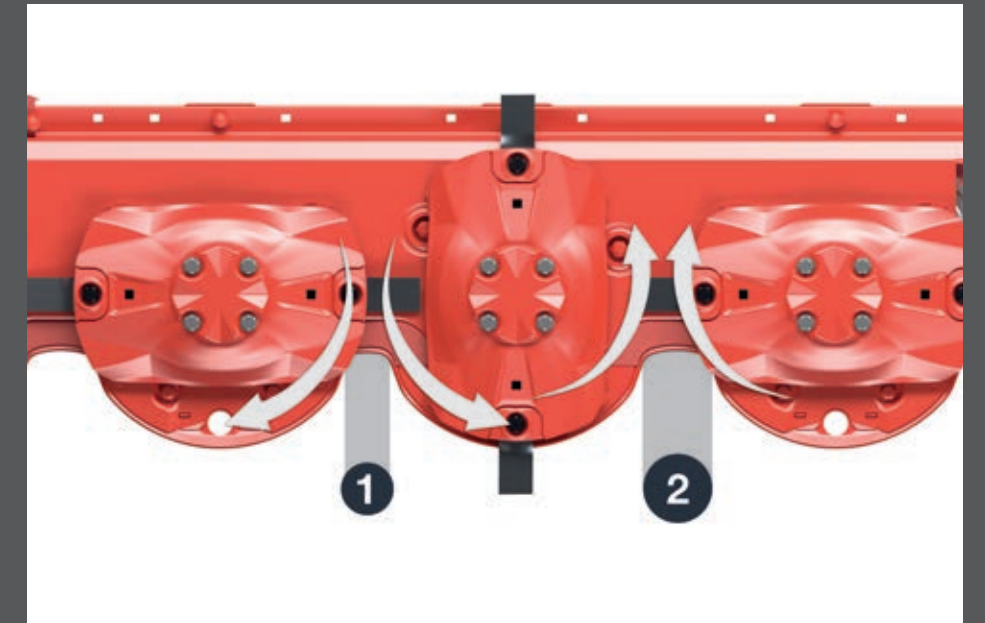
The Optidisc Elite cutterbar provides a flat, streamlined profile so that soil and crop residue do not accumulate and material flows smoothly, even in heavy, difficult crop conditions.

Enhancements on the Optidisc Elite cutterbar include:

- A lower profile to improve cut quality in difficult conditions while also reducing dirt and ash incorporation
- Fast-Fit® knives that provide longer knife life and the ability to rotate 360 degrees to achieve a higher quality cut
- A low-maintenance, lubed-for-life design that lasts longer due to disc skids, wear plates and liners
- No routine oil changes required



THE OPTIDISC® ELITE CUTTERBAR



1. LESS DISTANCE FOR A CLEAN CUT

At the point where the discs diverge, the distance is reduced to increase the knife overlap which results in a clean cut, even when the grass is short or light.

2. MORE DISTANCE FOR EASY CROP PASSAGE

At the point where the discs converge, the distance is increased thus more space is provided for the crop to pass. Cut crop is quickly carried away from the cutting area, greatly improving the cut quality.

NO MORE OIL CHANGES

Optidisc Elite cutterbars are designed and tested with a zero oil change interval. The highly-polished gears and synthetic gear oil ensure that this system does not require any regular internal maintenance, eliminating the need for cutterbar oil changes throughout the life of the machine.

FAST-FIT® STANDARD

All machines with the Optidisc® Elite cutterbar come standard with Fast-Fit knives.



NARROW PROFILE

By manufacturing a fully welded gearcase and straight-toothed gears, the Optidisc Elite has a very narrow profile. This allows for a wide range of cutting heights with very little to no cutterbar tilt, helping create a clean, consistent cut with minimal impurities.



GEAR-TO-GEAR RELIABILITY

Gear-to-gear power transmission, a staple of all KUHN disc mowers, allows for maximum power transmission. Unlike other gear cutterbars, equal-sized gears throughout reduces torque on gear teeth and leads to unsurpassed reliability and longevity.



PROTECTADRIVE® SAFETY

Every minute saved during the hay season is precious. In the event of an impact between a disc and an obstacle, the shaft holding the disc can shear just above the bearing. As a result, the gear teeth are protected.



EASY TO REMOVE

Intermediate idler gears are easy to access. Simply remove the adjoining Protectadrive disc bearing station.



EXTRA RIGIDITY WHERE IT COUNTS

Disc bearing stations are attached by bolts that pass through the entire cutterbar. The attachment is exceptionally strong and secure, with no risk of the mount being torn out of the cutterbar. The disc drive pinion is held precisely in place. With perfect size spacers and top quality o-rings, there are no leaks. All of these features provide excellent reliability and reduced repair costs.





GMD 11 SERIES

MAXIMUM PRODUCTIVITY & VERSATILITY IN A MOUNTED MOWER

When an operation requires wide working widths with a mounted mower, the GMD 11 Series horizontal fold machines are the answer. With an industry-leading suspension system to significantly limit dirt uptake, and horizontal folding for increased safety and flexibility, the GMD 11 Series can increase your bottom line.



CONTROL WITH CONFIDENCE

Control of the mowing head is easy and precise. The hydraulic requirements have been minimized to reduce reaction times and a single hydraulic valve is all that is required to raise and lower the mowing head. The minimum lift clearance of 16" (40 cm) easily clears obstructions and already cut crop.



ACTIVE NON-STOP BREAKAWAY

No one can afford to damage their mower during the peak hay season because of a forgotten or unnoticed obstacle. The mowing head will pivot up to 25° to the rear. At the same time, the mowing head will lift to clear the obstruction and then automatically reset to the original mowing position. There is no need to stop and reverse to reset the mower.



CENTRAL ARTICULATION

A suspension system's performance is compromised if the weight distribution across the ground is not uniform. With the Lift-Control range, the mowing head is suspended at the balance point to ensure even weight distribution and a high-quality cut across the entire width.



SAFETY DURING TRANSPORT

When folded for transport the cutting head is centered directly behind the tractor. This facilitates greater ease when engaged in road transport. Twin mechanical locks fix the cutting head when in transport to securely hold the head in position. It's important to ballast the tractor correctly for safety when in transport.



THE KEY TO THE SYSTEM: KINETICS

The Lift-Control device is much more than just a suspension system with a nitrogen accumulator replacing the traditional spring. The principal advantage of this system is derived from the exclusive way in which the kinetic forces that act on the cutterbar are utilized.

KUHN engineers have succeeded in making a dynamic suspension system as opposed to the passive system commonly used. With the Lift-Control system, as the force exerted on the cutterbar increases, the suspension system automatically lightens the cutterbar. The greater the force, the lighter the cutterbar.

Benefits include:

- Constant ground pressure
- Non-stop safety breakaway
- Excellent terrain following
- Less soil in the crop
- Minimal turf damage

Additionally on the GMD 4011 and 4411, a hydro-pneumatic suspension system is integrated to absorb bumps and jolts during transport providing more stability for improved control.



TRAILED SIMPLICITY & VERSATILITY

These trailed mowers offer high working rates, simple adjustments and low maintenance for dependable grass and forage harvesting. They provide easier tractor attachment, improved cutterbar flotation, and contour following compared to fully mounted models. The trailed design also lowers the tractor ballast requirement, while maintaining excellent stability in both work and transport.



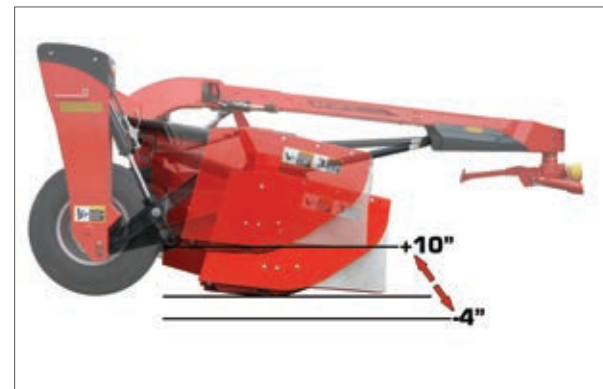
SUPERIOR MANEUVERABILITY

The heavy-duty Gyrodine® gearbox is designed to withstand the most severe pull-through force from the hitch to the machine. The swivel design allows turns in excess of 90° while keeping the PTO driveline straight. This design allows extremely tight turns for clean, square corners, while minimizing PTO vibration and wear.



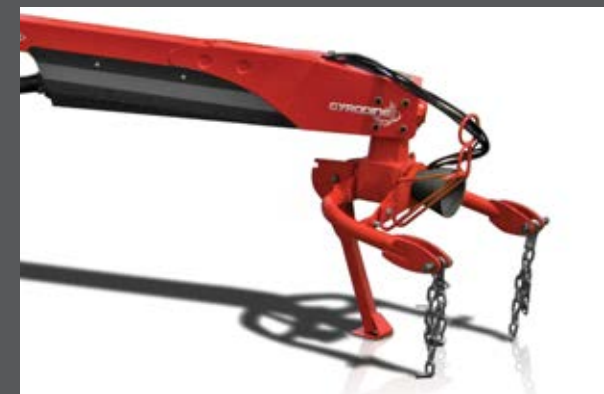
CONSTANT FLOAT® SUSPENSION

The header is suspended on each side by a long, large-diameter spring that provides a constant range of flotation. The floating head oscillates to closely follow ground contours and conform to irregular terrain. This reduces the amount of missed crop in the field and helps keep dirt out of the harvested crop.



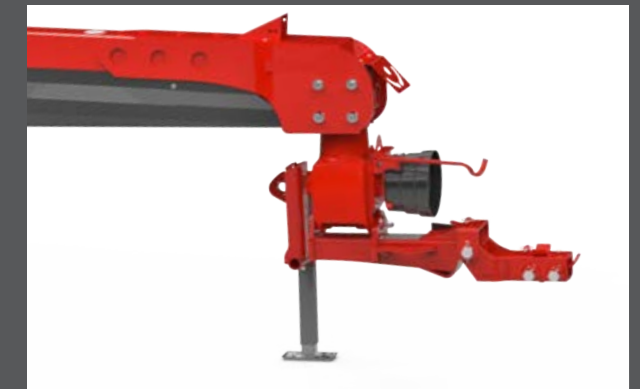
PRO-ACTIVE LIFT®

This maintenance-free system allows the machine to quickly adapt to abrupt changes in terrain or when an obstruction is encountered in the field. The cutting head is able to move up and back simultaneously, dissipating the force of any impact and providing space to clear the obstacle. This unique design reduces scalping to preserve crop stubble and helps protect the machine from potential damage. A slotted linkage on each side provides guidance for the header and eliminates the need to run the hydraulics in the float position.



QUICK-HITCH COMPATIBLE 2-POINT

The Cat. 2/3N quick-hitch compatible 2-point hitch provides a fully controlled connection and allows easy adjustment to maintain a level PTO. It also provides more ground clearance for previously mowed crop to pass through. Connecting arms pivot during hookup for easy alignment. All connecting quick hitches must meet current ASABE specifications.



SIMPLE DRAWBAR HITCH

The drawbar hitch is easy to hook up and the heavy-duty build provides dependability and long life. The built-in swivel allows movement in three dimensions to easily adapt to uneven field conditions.



ATTACHMENT

The central attachment with the Gyrodine® swivel hitch provides increased output during the mowing process and provides ease when completing complex turns. Choose between a drawbar swivel hitch or a 2-point attachment.



CENTER PIVOT

With a center pivot, the mower is able to cut all the hay to the left, right or anywhere in between for maximum productivity.



CENTRAL DRIVE

The gearbox drives the central discs of the cutterbar reducing stress on the cutting unit. The two drums separate the crop flow to form two swaths if desired. A wide [13' 1" (4 m)] continuous swath can be formed for maximum drying.



SUSPENSION ADJUSTMENT

Changing header flotation is easy with the standard adjustment handle (1 per side).



EXCELLENT GROUND FOLLOWING

To adapt to high mowing speeds, the positive angle movement of the connecting arms and the four flotation springs ensure superb ground following. The slotted linkage eliminates the need for a hydraulic float valve on the tractor.



RAPID AND EASY TO USE LENGTHWAYS TRANSPORT SYSTEM

Rapidly transition from transport to field and back. Practical, fast and easy to maneuver on roads and access fields with narrow gates.



GMD 51 TC SERIES

MOW WIDE, MOW FAST, MOW CLEAN

The GMD 5251 TC center-pivot disc mower adds to the range of trailed GMD models with 17'1" (5.2 m) of working width. This machine provides high work output and is perfectly adapted to medium-sized tractors. This model features the lubed-for-life Optidisc® Elite cutterbar equipped with the Fast-Fit® knife quick attachment system. All discs are driven from the center of the cutterbar which simplifies drivelines and significantly reduces maintenance. The optional integrated narrow transport system allows for rapid transition from field to field and improved safety on the road.

*Note: All North American machines are standard with steel side sheets.

INCREDIBLY SIMPLE DESIGN & EASY SERVICE



Simple and easy access to change knives keeps your efficiency high. For the GMD 51 TL Series, there are 11 total zerks that require greasing every 50 hours. For the GMD 51 TC Series, there are 14 total grease zerks that require greasing. Seven of which require greasing every 20 hours and the other seven require it every 50 hours.



CONVENIENT HEIGHT ADJUSTMENT

Height change adjustments are fast, simple and do not require tools. Cutting height is set using a special turnbuckle that adjusts easily with only modest effort. A convenient gauge on the turnbuckle shows the cutting height for precise field adjustments. On GMD 51 TC machines, the turnbuckle is located on the right side.



MAINTENANCE-FREE DRIVESHAFT

Unlike competitive models that require daily greasing, the driveshaft to the cutterbar uses maintenance-free U-joints. These joints reduce overall maintenance and eliminate excessive wear from improper maintenance.

Customized to Fit Your Operation

OPTIONAL EQUIPMENT



1000 RPM DRIVE

An optional 1000 RPM PTO offers flexibility for the customer to run the mower with a larger tractor and provides dependable operation in varied conditions.



CV SECONDARY PTO SHAFT

For flexibility to steer around obstacles in the field with the mower's hydraulic swing cylinder, or to mow directly behind the tractor without PTO chatter, a secondary PTO shaft, with a constant velocity joint, can be factory ordered or field installed.



PLASTIC ROCK GUARD

A HDPE (high-density polyethylene) rock guard can be mounted on the underside of the front hood for added protection in rocky conditions.



HYDRAULIC CUTTING HEIGHT ADJUSTMENT

Operators can also remove the standard turnbuckle and insert the header tilt cylinder in its place. This allows the operator to set the cutting height and cutterbar angle from the comfort of the cab.



RAISED SKID SHOES

For customers requiring a higher cut height for certain crops or when cutting in rocky conditions on the Optidisc® Elite cutterbar. Skid shoes may be fitted to each skid if more flotation and less ground pressure is desired. GMD 5251 TC mowers are compatible with these skids—2 kits must be ordered.



Model Specifications

	GMD 16	GMD 20	GMD 24	GMD 28	GMD 240	GMD 280	GMD 310	GMD 355
DIMENSIONS								
Working width	5'3" (1.6 m)	6'7" (2.0 m)	7'10" (2.4 m)	9'2" (2.8 m)	7'10" (2.4 m)	9'2" (2.8 m)	10'2" (3.1 m)	11'6" (3.5 m)
Transport width	5'7" (1.69 m)	5'7" (1.69 m)	5'8" (1.72 m)	5'8" (1.72 m)	5'3" (1.6 m)	5'3" (1.6 m)	5'3" (1.6 m)	6'3" (1.91 m)
Transport height	7' (2.13 m)	8'4" (2.54 m)	9'7" (2.91 m)	10'11" (3.32 m)	9'7" (2.9 m)	10'11" (3.3 m)	12' (3.7 m)	12'9" (3.9 m)
Cutterbar	100 Series	100 Series	100 Series	100 Series	100 Series	100 Series	100 Series	100 Series
Number of discs	4	5	6	7	6	7	8	9
Disc type	Standard Disc	Standard Disc	Standard Disc	Standard Disc	HD Discs	HD Discs	HD Discs	Standard Disc
Blade retention system	Bolted	Bolted	Bolted	Bolted	Bolted	Bolted	Bolted	Fast-Fit®
Removable Protectadrive® disc bearing stations	Standard	Standard	Standard	Standard	Standard	Standard	Standard	Standard
Hydraulic lift mechanism	Standard	Standard	Standard	Standard	Standard	Standard	Standard	Standard
Cutterbar suspension	Spring	Spring	Spring	Spring	Spring	Spring	Spring	Spring
Cutting height	1.1" - 1.9" (30 - 50 mm)	1.1" - 1.9" (30 - 50 mm)	1.1" - 1.9" (30 - 50 mm)	1.1" - 1.9" (30 - 50 mm)	1.1" - 1.9" (30 - 50 mm)	1.1" - 1.9" (30 - 50 mm)	1.1" - 1.9" (30 - 50 mm)	1.1" - 2.8" (30 - 70 mm)
Safety breakaway system	Mechanical lock	Mechanical lock	Mechanical lock	Mechanical lock	Mechanical lock as standard	Mechanical lock as standard	Mechanical lock as standard	Standard mechanical
Unlocking system from the tractor cab	Via rope	Via rope	Via rope	Via rope	Via rope	Via rope	Via rope	Via rope
Mowing angle	+35° / -22° (-40° with optional kit)	+35° / -22° (-40° with optional kit)	+35° / -15°	+35° / -15°	From +35° / -25°	From +35° / -25°	From +35° / -30°	+35°, -25°
Adjustable lower links	Standard	Standard	Standard	Standard	Standard	Standard	Standard	Standard
Headland turn position	Tractor hitch lift plus hydraulic valve	Tractor hitch lift plus hydraulic valve	Tractor hitch lift plus hydraulic valve	Tractor hitch lift plus hydraulic valve	By integrated hydraulic cylinder	By integrated hydraulic cylinder	By integrated hydraulic cylinder	By integrated hydraulic cylinder and hydraulic limiter
Average swath width	3'7" (1.1 m)	4'7" (1.4 m)	5'7" (1.7 m)	6'7" (2.0 m)	5'7" (1.7 m)	6'7" (2.0 m)	7'11" (2.2)	9'2" (2.8 m)
Outside swath wheel	Standard	Standard	Standard	Standard	Standard	Standard	Standard	Standard
Hitch	Cat. 1 or 2	Cat. 1 or 2	Cat. 2	Cat. 2	3 point, Cat. 2 Quick hitch compatible	3 point, Cat. 2 Quick hitch compatible	3 point, Cat. 2 Quick hitch compatible	Cat. 2, 3-point mounted
Transport position	Vertical folding via hydraulic cylinder	Vertical folding via hydraulic cylinder	Vertical folding via hydraulic cylinder	Vertical folding via hydraulic cylinder	Vertical folding via hydraulic cylinder with automatic lock	Vertical folding via hydraulic cylinder with automatic lock	Vertical folding via hydraulic cylinder with automatic lock	120°
PTO speed	540 rpm	540 rpm	540 rpm	540 rpm	540 rpm	540 rpm	540 rpm	540 rpm
Overrunning PTO clutch (free wheel)	Optional	Optional	Optional	Standard	Standard	Standard	Standard	Standard
Free wheel	Optional	Optional	Optional	Standard	Standard	Standard	Standard	Standard, integrated in gearbox
Minimum PTO power requirement	28 hp (21 kW)	35 hp (25 kW)	42 hp (31 kW)	50 hp (37 kW)	42 hp (31 kW)	50 hp (37 kW)	55 hp (41 kW)	75 hp (56 kW)
Required tractor hydraulic connections	1 SA	1 SA	1 SA	1 SA	1 SA	1 SA	1 SA	1 SA with float
Road lights and signaling	Standard	Standard	Standard	Standard	Standard	Standard	Standard	Reflectors
Machine weight approx.	840 lbs (380 kg)	940 lbs (427 kg)	1,200 lbs (544 kg)	1,325 lbs (600 kg)	1,325 lbs (609 kg)	1,475 lbs (669 kg)	1,570 lbs (712 kg)	1,930 lbs (875 kg)
Check chain	Optional	Optional	Optional	Optional	Standard	Standard	Standard	Standard

Model Specifications

	GMD 2851 TL	GMD 3151 TL	GMD 3551 TL	GMD 4051 TL	GMD 5251 TC (Narrow Transport)	GMD 5251 TC	GMD 3511	GMD 4011	GMD 4411
DIMENSIONS									
Working width	9'2" (2.8 m)	10'2" (3.1 m)	11'6" (3.5 m)	13' (4.0 m)	17'1" (5.2 m)	17'1" (5.2 m)	11'6" (3.5 m)	14'4" (4.4 m)	14'4" (4.4 m)
Transport width	9'4" (2.9 m)	10'4" (3.2 m)	11'8" (3.6 m)	13'1" (4.0 m)	9'6" (2.9 m) in transport	17'3" (5.3 m) in transport	5'9" (1.8 m)	6'7" (2.0 m)	6'7" (2.0 m)
Number of discs	6	7	8	9	12	12	8	9	10
Disc type	Optidisc® Elite	Optidisc® Elite	Optidisc® Elite	Optidisc® Elite	Optidisc® Elite	Optidisc® Elite	Optidisc® Elite	Optidisc® Elite	Optidisc® Elite
Blade retention system	Bolted	Bolted	Bolted	Bolted	Fast-Fit®	Fast-Fit®	Fast-Fit®	Fast-Fit®	Fast-Fit®
Removable Protectadrive® disc bearing stations	Standard	Standard	Standard	Standard	Standard	Standard	Standard	Standard	Standard
Cutterbar transport lock with remote control from tractor	-	-	-	-	-	-	Standard	Standard	Standard
Hydraulic lift mechanism	Standard	Standard	Standard	Standard	Standard	Standard	Standard	Standard	Standard
Cutterbar suspension	Constant Float® suspension with Pro-Active® Lift	Constant Float® suspension with Pro-Active® Lift	Constant Float® suspension with Pro-Active Lift®	Constant Float® suspension with Pro-Active® Lift	Constant Float® suspension with Pro-Active Lift®	Constant Float® suspension with Pro-Active Lift®	Lift-Control Hydropneumatic suspension	Lift-Control Hydropneumatic suspension	Lift-Control Hydropneumatic suspension
Safety guards	Standard	Standard	Standard	Standard	Standard	Standard	Standard	Standard	Standard
Cutting height	1.4" - 2.6" (35 - 65 mm)	1.4" - 2.6" (35 - 65 mm)	1.4" - 2.6" (35 - 65 mm)	1.4" - 2.6" (35 - 65 mm)	1.4" - 2.6" (35 - 65 mm)	1.4" - 2.6" (35 - 65 mm)	1.4" - 2.6" (35 - 65 mm)	1.4" - 2.6" (35 - 65 mm)	1.4" - 2.6" (35 - 65 mm)
Suspension travel	+10" to -4" (+25.4 cm to -10.2 cm)	+10" to -4" (+25.4 cm to -10.2 cm)	+10" to -4" (+25.4 cm to -10.2 cm)	+10" to -4" (+25.4 cm to -10.2 cm)	15.75" (40 cm)	15.75" (40 cm)	18.5" (47 cm)	18.5" (47 cm)	18.5" (47 cm)
Safety breakaway system	-	-	-	-	-	-	Non-stop hydraulic	Non-stop hydraulic	Non-stop hydraulic
Average swath width	5'8" (1.8 m)	7'3" (2.2 m)	8'6" (2.6 m)	10' (3.0 m)	Single swath: 13'1" (4.0 m) Dual swath: Two 6'6" (2.0 m) swaths depending on crop conditions	Single swath: 13'1" (4.0 m) Dual swath: Two 6'6" (2.0 m) swaths depending on crop conditions	9'2" (2.8 m)	10'10" (3.3 m)	12'2" (3.7 m)
Hitch	Trailed, must choose drawbar or 2-point semi-mounted, Cat. 2 or 3N Quick hitch compatible	Trailed, must choose drawbar or 2-point semi-mounted, Cat. 2 or 3N Quick hitch compatible	Trailed, must choose drawbar or 2-point semi-mounted, Cat. 2 or 3N Quick hitch compatible	Trailed, must choose drawbar or 2-point semi-mounted, Cat. 2 or 3N Quick hitch compatible	Trailed, must choose drawbar or 2-point semi-mounted, Cat. 2 or 3N Quick hitch compatible	Trailed, must choose drawbar or 2-point semi-mounted, Cat. 2 or 3N Quick hitch compatible	Cat. 2, 3-point mounted	Cat. 3, 3-point mounted	Cat. 3, 3-point mounted
Tires	9.5L - 15	9.5L - 15	9.5L - 15	9.5L - 15	12.5L - 15SL	12.5L - 15SL	-	-	-
Primary PTO	1-3/8" - 6-spline	1-3/8" - 6-spline	1-3/8" - 6-spline	1-3/8" - 6-spline	1-3/8" - 21-spline	1-3/8" - 21-spline	1 3/8" - 21-spline yoke	1 3/8" - 21-spline yoke	1 3/8" - 21-spline yoke
Secondary PTO shaft	Friction slip clutch standard	Friction slip clutch standard	Friction slip clutch standard	Friction slip clutch standard	Friction slip clutch standard	Friction slip clutch standard	Friction slip clutch standard	Friction slip clutch standard	Friction slip clutch standard
PTO speed	540 (factory fitted) or 1,000 thru field kit conversion	540 (factory fitted) or 1,000 thru field kit conversion	540 (factory fitted) or 1,000 thru field kit conversion	540 (factory fitted) or 1,000 thru field kit conversion	1,000 rpm	1,000 rpm	1,000 rpm	1,000 rpm	1,000 rpm
Overrunning PTO clutch (free wheel)	Standard with friction slip clutch	Standard with friction slip clutch	Standard with friction slip clutch	Standard with friction slip clutch	Standard with friction slip clutch	Standard with friction slip clutch	Standard with friction slip clutch	Standard with friction slip clutch	Standard with friction slip clutch
Minimum PTO power requirement	40 hp (30 kW)	47 hp (35 kW)	54 hp (40 kW)	60 hp (45 kW)	90 hp (67 kW)	90 hp (67 kW)	93 hp (70 kW)	110 hp (82 kW)	120 hp (90 kW)
Required tractor hydraulic connections	2 DA	2 DA	2 DA	2 DA	2 DA	2 DA	1 DA with float	1 DA and 1 SA with float	1 DA and 1 SA with float
Side sheets	Steel	Steel	Steel	Steel	Steel	Steel	Curtain	Curtain	Curtain
Road lights and signaling	Standard	Standard	Standard	Standard	Standard	Standard	Standard	Standard	Standard
Machine weight approx.	2,520 lbs (1,143 kg)	2,800 lbs (1,270 kg)	2,920 lbs (1,324 kg)	3,000 lbs (1,360 kg)	6,615 lbs (3,000 kg)	5,445 lbs (2,470 kg)	2,094 lbs (950 kg)	2,392 lbs (1,085 kg)	2,469 lbs (1,120 kg)
Check chain	Standard	Optional	Optional	Optional	Optional	Optional	Standard	Standard	Standard

COMPLEMENTARY PRODUCTS

MORE PRODUCTS TO MEET YOUR NEEDS

With over 700 models of equipment, we have the most complete implement line in the industry. Whether you have a small or large operation, we have a broad range of models and options to help fit your diverse needs.




1. Mower Conditioners
2. Tedders
3. Wheel Rakes
4. Rotary Rakes
5. Balers
6. TMR Mixers

For more information about your nearest KUHN dealer and other KUHN products, visit our website at

www.kuhn.com



Visit our YouTube channel to watch our latest product videos.

 <p>www.kuhn.com</p>	<p>Your KUHN dealer</p>
---	-------------------------

KUHN NORTH AMERICA, INC.

Corporate Headquarters
1501 West Seventh Avenue - Brodhead, WI 53520

Information given in this document is only for informational purposes and is non-contractual. Our machines are in compliance with North American safety standards. In our literature, and for improved illustration of certain details, some safety devices may not be in operating position. When operating these machines, these devices must be operated in accordance with the requirements indicated in the operator's manuals and assembly manuals. We reserve the right to change any designs, specifications or materials listed without further notice. Machines and equipment in this document can be covered by at least one patent and/or registered design. Trademarks cited in this document may be registered in one or several countries.

Find us on

