



ST50

Compact Track Loader

Do more

The ST50 is the largest and most powerful track loader in the Wacker Neuson lineup. Equipped with a 75 kW Kohler engine, making 499 Nm of torque, this machine is a productive workhorse. The extra power enhances the auxiliary flow for improved performance with high flow attachment applications like cold planning and brush clearing.

Highlights

- Controls for Every Operator
- Filter Free After-treatment
- Expansive Maintenance Access

Technical Data

Hydraulic

flow rate	95.0 l/min
flow rate max.	141.0 l/min
Auxiliary relief pressure	241.0 bar

Mechanical - Output Details

Break Out Force Bucket	35,285.0 N
Break Out Force Lift Arm	41,686.0 N
Tractive Effort max.	55,970.0 N
travel speed stage 1	10.0 km/h
travel speed stage 2	16.0 km/h

Mechanical Details

Length without Bucket	2,984.0 mm
Length with Bucket	3,693.0 mm
Overall width without bucket	1,982.0 mm
Height to top of ROPS	2,151.0 mm
Bucket Hinge Pin Height	3,464.0 mm
Angle of departure	31.0 °
Bucket height at height max.	2,765.0 mm
Buck. dump angle at height max	44.0 °

Operating weight	4,843.0 kg
Track width	450.0 mm
Ground clearance	265.0 mm
Dump reach at max. height	930.0 mm

Engine

Cooling	Water-cooling
Engine type	Diesel engine
Cylinder	4.0
Cylinder capacity	3,359.0 cm ³
Operating power	75.0 KW
Operating Engine speed	2,500.0 1/min
Battery capacity (nom. value)	950.0 Ah
Engine Manufacturer	Kohler

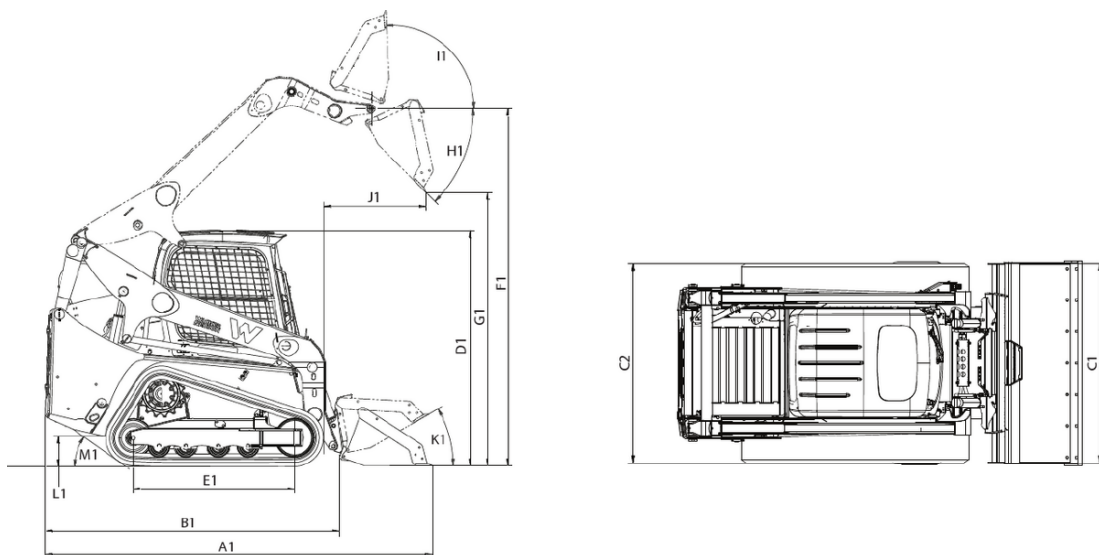
Operating Fluids

Fuel Tank capacity	151.0 l
--------------------	---------

Chassis

Tip Load	4,536.0 kg
Rated Operating Capacity at 50% Tip Load	2,268.0 kg
Rated Operating Capacity at 35% Tip Load	1,588.0 kg

Dimensions



A1	Overall length with bucket	3,694 mm
B1	Overall length without bucket	2,984.8 mm
C1	Overall width with bucket	1,982 mm
C2	Overall width without bucket	1,982 mm
D1	Overall height	2,151 mm
E1	Wheelbase	1,667 mm
F1	Hinge pin height	3,462 mm
G1	Dump height max.	2,766 mm
H1	Dump angle	44 °
I1	Bucket rollback at max. stroke height	94 °
J1	Dump reach	930 mm
K1	Bucket rollback at ground level	30 °
L1	Ground clearance	265.7 mm
M1	Angle of departure	31 °