



ST31

Compact Track Loader

Compact and Efficient

The ST31 matches the compact size of a medium frame with lift capacity of larger loaders. The vertical lift arm, 3,2 meters lift height and 55 kW regeneration free engine, make the ST31 an accomplished material handler, perfect for use in a wide range of applications, from moving palletized material around a construction site to truck loading. The wide, double-steel reinforced tracks provide stability and reduced total cost of ownership.

Highlights

- Controls for Every Operator
- Two-speed transmission
- 5.7-inch Color Display
- Maximum Visibility
- Forward Tipping Cab

Technical Data

Hydraulic

Flow rate	76.0 l/min
Flow rate max.	113.0 l/min
Auxiliary relief pressure	240.0 bar

Mechanical - Output Details

Ground Pressure (standard track)	0.4 bar
Break Out Force Bucket	24,959.0 N
Break Out Force Lift Arm	24,670.0 N
Tractive Effort max. at 100% effective force	43,920.0 N
Bucket Roll Back	1.6 s
Bucket Roll Out	2.1 s
Lift Arm Raise	3.6 s
Lift arm lower	2.0 s
Travel speed stage 1	10.5 km/h
Travel speed stage 2	15.6 km/h

Mechanical Details

Overall Length without bucket	2,716.0 mm
Overall Length with Bucket	3,457.0 mm
Overall width without bucket	1,625.0 mm
Overall Width (Large Track)	1,705.0 mm
Overall height to top of ROPS	2,104.0 mm

Bucket Hinge Pin Height	3,264.0 mm
Bucket roll back at ground	30.0 °
Bucket roll back at maximum height	94.0 °
Angle of departure	33.0 °
Bucket dump height at maximum height	4,151.0 mm
Bucket dump angle at maximum height	40.0 °
Operating weight	3,738.0 kg
Track width	320.0 mm
Track width (optional)	400.0 mm
Ground clearance	231.0 mm
Length of Track on Ground	1,441.0 mm
Dump reach at maximum height	966.0 mm

Engine

Cooling	Water-cooling
Engine type	Diesel engine
Cylinder	4.0
Cylinder capacity	2,482.0 cm3
Operating power	55.0 KW
Operating Engine speed	2,600.0 1/min
Engine Manufacturer	Kohler

■ **Operating Fluids**

Fuel Tank capacity	132.5 l
--------------------	---------

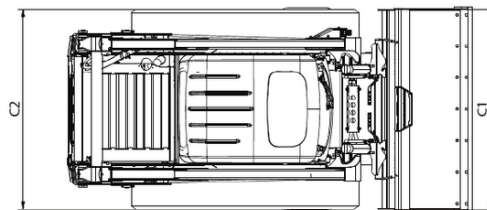
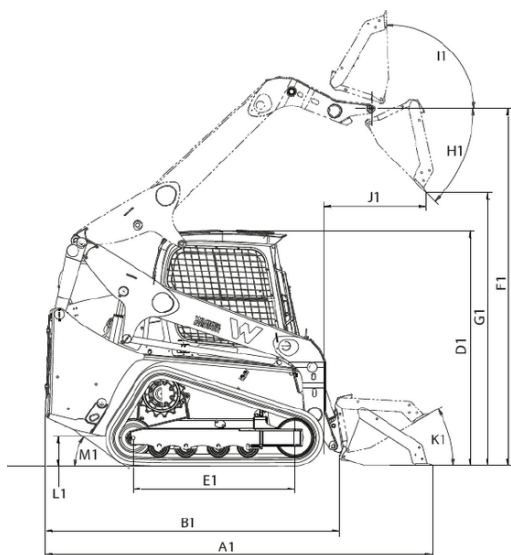
■ **Chassis**

Tip Load	2,812.0 kg
----------	------------

Rated Operating Capacity at 50% Tip Load 1,406.0 kg

Rated Operating Capacity at 35% Tip Load 984.0 kg

Dimensions



A1	Overall length with bucket	3,457 mm
B1	Overall length without bucket	2,716 mm
C1	Overall width with bucket	1,746 mm
D1	Overall height	2,104 mm
F1	Hinge pin height	3,264 mm
G1	Dump height max.	2,559 mm
H1	Dump angle	40 °
I1	Bucket rollback at max. stroke height	94.1 °
J1	Dump reach	966 mm
L1	Ground clearance	231.7 mm
M1	Angle of departure	33 °
C2	Overall width without bucket	1,625 mm
E1	Length of track on ground	1,441 mm
K1	Bucket rollback at ground level	30 °