



EZ26

Tracked Zero Tail Excavator

Powerful all-rounder

The EZ26 guarantees flexibility and user-friendliness with high performance features. The low weight allows transport, including of attachments, by car trailer. The wide field of vision around the machine from the cab increases the safety of the operator and the construction site environment. It also ensures constant control of the working environment. The simultaneously high performance and high operating comfort thanks to the wide access, jog-dial operating system and clear machine display make the EZ26 a feel-good zone for the operator.

Highlights

- Air-conditioning system
- Very good all-round visibility
- Easy transportation by car trailer
- Zero Tail
- Auto-stop function
- Optimized hydraulics or engine-pump management

Technical Data

Hydraulic

| | |
|-------------------------------|-----------|
| Operating pressure hydraulics | 240.0 bar |
|-------------------------------|-----------|

Mechanical - Output Details

| | |
|------------------------|---------------|
| Nominal rotation speed | 2,350.0 1/min |
| Travel speed | 4.3 km/h |

Mechanical Details

| | |
|------------------------------|----------------------|
| Length | 4,199.0 mm |
| Width | 1,550.0 mm |
| Height | 2,412.0 mm |
| Operating weight (min.-max.) | 2,455.0 - 3,358.0 kg |
| Digging depth (max.) | 2,803.0 mm |

Engine

| | |
|------------------------|-------------------------|
| Cooling | Water-cooling |
| Engine type | Diesel engine |
| Cylinder capacity | 1,266.0 cm ³ |
| Inclined position max. | 30.0 ° |
| Tank capacity | 40.0 l |
| Oil filling max. | 4.4 l |

| | |
|-------------------------|---------------|
| Effective power | 14.6 KW |
| Nominal Engine speed | 2,350.0 1/min |
| Starter battery Voltage | 12.0 V |
| Engine Manufacturer | Yanmar |
| Engine Designation | 3TNV80F-NPWN |

Environment Data

| | |
|-----------------------------|------------|
| Sound power LWA, guaranteed | 93.0 dB(A) |
| Sound power LWA (Standard) | 2000/14/EG |

Operating Fluids

| | |
|------------------------|---------------|
| Oil volume | 26.100 l |
| Cooling fluid volume | 5.4 l |
| Hydraulic fluid volume | 34.5 l |
| Fuel specification | Diesel EN 590 |

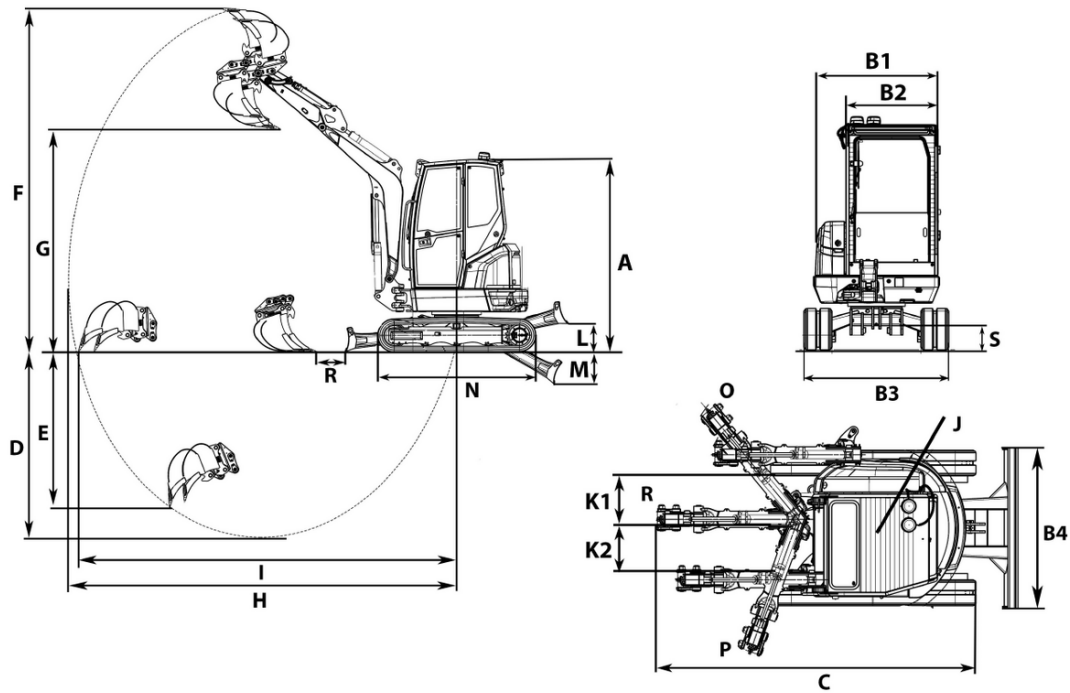
Chassis

| | |
|----------------|--------------------|
| Traction drive | axial piston motor |
|----------------|--------------------|

Shipping and Storage

| | |
|-----------------|----------------------|
| Shipping weight | 2,480.0 - 2,700.0 kg |
|-----------------|----------------------|

Dimensions



| | | |
|----|---|----------|
| A | Height | 2,412 mm |
| | Total height with rotating beacon | 2,502 mm |
| B1 | Width of upper carriage | 1,350 mm |
| B2 | Width of cab | 980 mm |
| B3 | Width travel gear | 1,550 mm |
| C | Transport length short shovel arm | 4,199 mm |
| | Transport length long shovel arm | 4,212 mm |
| D | Digging depth max., short shovel arm | 2,603 mm |
| | Digging depth max., long shovel arm | 2,803 mm |
| E | Piercing depth max., short shovel arm | 1,124 mm |
| | Piercing depth max., long shovel arm | 1,281 mm |
| F | Piercing height max., short shovel arm | 4,151 mm |
| | Piercing height max., long shovel arm | 4,280 mm |
| G | Dumping height max., short shovel arm | 2,764 mm |
| | Dumping height max., long shovel arm | 2,893 mm |
| H | Digging radius max., short shovel arm | 4,622 mm |
| | Digging radius max., long shovel arm | 4,813 mm |
| I | Max. reach at ground level (short shovel arm) | 4,508 mm |
| | Max. reach at ground level (long shovel arm) | 4,706 mm |
| J | Tail swing radius | 819 mm |
| | Tail swing radius with tail weight | 896 mm |
| K1 | Boom offset max. (to center of bucket right side) | 622 mm |
| K2 | Boom offset max. (to center of bucket left side) | 584 mm |
| L | Stacking height max. (dozer blade above surface) | 374 mm |
| M | Digging depth max. (dozer blade below surface) | 409 mm |
| N | Length travel drive | 1,982 mm |
| O | Max. swivel angle (arm system to the right) | 50 ° |
| P | Max. swivel angle (arm system to the left) | 70 ° |
| R | Boom swing radius center | 2,102 mm |
| S | Ground clearance | 263 mm |