



## ET20

### Tracked Conventional Excavator

Stability meets specially developed boom

The ET20 compact excavator not only shows what it can do with its powerful drive system, but also offers a variety of innovative features and options. The ET20 achieves excellent excavation results and stability thanks to its specially developed longer travel gear and boom. The hydraulically pilot-operated drive pedals allow the excavator to be controlled precisely with the feet.

## Highlights

- Hydraulic telescopic travel gear with dozer blade extension
- VDS Vertical Digging System
- Comfortable, fully glazed cab
- Innovative front windshield system
- Easy service and maintenance access

## Technical Data

### Hydraulic

Operating pressure hydraulics	200.0 bar
Hydraulic pump	Double variable and 2 gear pumps
flow rate	73.0 l/min
flow rate max.	73.0 l/min
tank capacity	19.0 l

### Mechanical - Output Details

Travel speed	4.1 km/h
--------------	----------

### Mechanical Details

Length	4,049.0 mm
Width	990.0 mm
Height	2,385.0 mm
Operating weight (min.-max.)	2,005.0 - 2,526.0 kg
Digging depth (max.)	2,683.0 mm

### Engine

Cooling	Water-cooling
Engine type	Diesel engine
Cylinder	3.0

Cylinder capacity	1,116.0 cm <sup>3</sup>
Inclined position max.	30.0 °
Effective power	13.8 KW
Nominal Engine speed	2,200.0 1/min
Exhaust-gas limit	EU Stage V
Battery capacity (nom. value)	44.0 Ah
Engine Manufacturer	Yanmar
Engine Designation	3TNV76-XNSV

### Environment Data

Sound level LpA	77.0 dB(A)
Sound power LWA, guaranteed	93.0 dB(A)

### Operating Fluids

Fuel specification	Diesel EN 590
--------------------	---------------

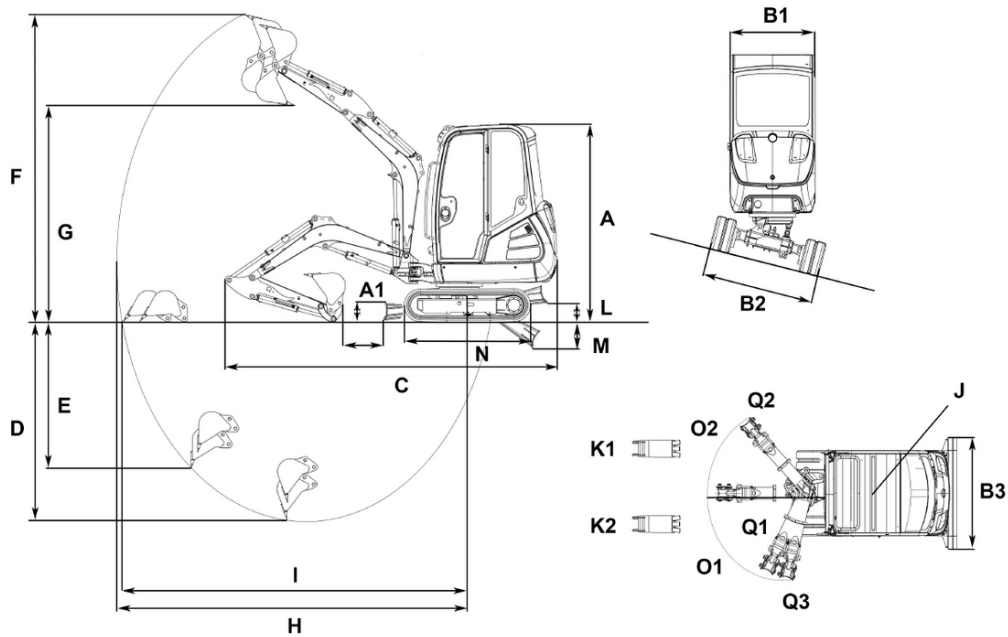
### Chassis

operating pressure	200.0 bar
--------------------	-----------

### Shipping and Storage

Shipping weight	1,862.0 kg
-----------------	------------

## Dimensions



A	Total height with rotating beacon	2,480 mm
B1	Width of upper carriage	990 mm
B2	Width travel gear	1,300 mm
	Width travel gear retracted	990 mm
B3	Width of dozer blade	990 mm
C	Transport length	4,049 mm
D	Digging depth max., short shovel arm	2,483 mm
	Digging depth max., long shovel arm	2,683 mm
E	Piercing depth max., short shovel arm	1,660 mm
	Piercing depth max., long shovel arm	1,845 mm
F	Piercing height max., short shovel arm	3,836 mm
	Piercing height max., long shovel arm	3,959 mm
G	Dumping height max., short shovel arm	2,713 mm
	Dumping height max., long shovel arm	2,836 mm
H	Digging radius max., short shovel arm	4,129 mm
	Digging radius max., long shovel arm	4,317 mm
I	Max. reach at ground level (short shovel arm)	4,031 mm
	Max. reach at ground level (long shovel arm)	4,225 mm
J	Tail swing radius	1,169 mm
K1	Boom offset max. (to center of bucket right side)	516 mm
K2	Boom offset max. (to center of bucket left side)	359 mm
M	Digging depth max. (dozer blade below surface)	297 mm
N	Length travel drive	1,708 mm
O1	Max. swivel angle (arm system to the left)	77 °
O2	Max. swivel angle (arm system to the right)	48 °
Q1	Boom swing radius center	1,666 mm
Q2	Boom swing radius right	1,582 mm
Q3	Boom swing radius left	1,356 mm