



DT15

Track Dumper

Maximum application power

The DT15 is the ideal transporter on the construction site for extensive work. The large skip selection combined with the comfortable and intuitive hydrostatic drive system as well as the high payload make it the perfect versatile material handler. The single-piece engine hood and the optimal arrangement of the service points also make daily maintenance much easier, saving time and effort. The low center of gravity makes it a trustworthy partner in material transport, even with a high load.

Highlights

- Hydrostatic drive
- 3-cylinder turbo diesel engine
- Interchangeable skip versions

Technical Data

Hydraulic

Hydraulic pump	Variable displacement and gear pump
flow rate max.	95.0 l/min

Mechanical - Output Details

Travel speed	7.5 km/h
--------------	----------

Mechanical Details

Length	2,674.0 mm
Width	1,102.0 mm
Height	2,372.0 mm
Weight	1,040.00 kg
Payload max.	1,500.0 kg
skip	Front tip skip
skip capacity levelled	632.0 l
Skip capacity heaped	760.0 l
Operating weight (min.-max.)	1,345.0 - 1,695.0 kg

Engine

Cooling	Water-cooling
Engine type	Diesel engine

Cylinder	3.0
Cylinder capacity	898.0 cm ³
Inclined position max.	20.0 °
Effective power	15.2 KW
Nominal Engine speed	2,400.0 1/min
Exhaust-gas limit	EU Stage V
Engine Manufacturer	Kubota
Engine Designation	Z-902
Stroke	73.0 mm
Bore	72.0 mm

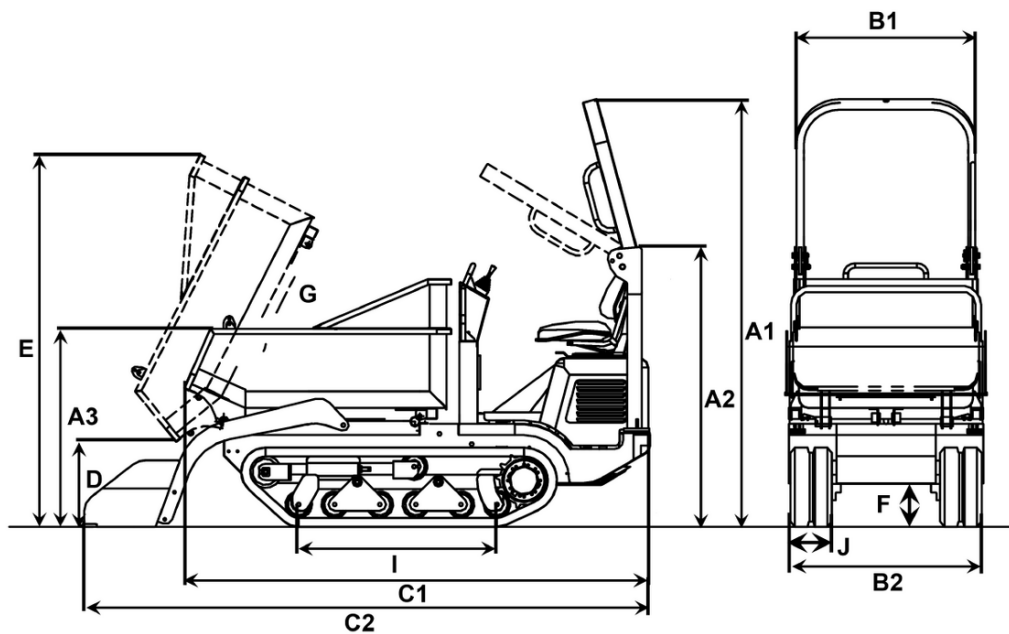
Environment Data

Sound level LpA	87.0 dB(A)
Sound level LpA (Standard)	ISO 6396
Sound power LWA, guaranteed	101.0 dB(A)
Sound power LWA (Standard)	ISO 6395

Shipping and Storage

Shipping weight	1,270.0 kg
-----------------	------------

Dimensions



A1	Height ROPS	2,372 mm
A2	Height of ROPS tilted	2,022 mm
A3	Height front edge of skip	770 mm
B1	Width of skip	1,054 mm
B2	Width of undercarriage	1,080 mm
	Width with self-loading equipment	1,080 mm
C1	Total length without footboard	2,585 mm
C2	Length with self-loading equipment, without footboard	3,160 mm
D	Dumping height max.	472 mm
E	Skip height tilted	2,070 mm
G	Dumping angle	63 °
I	Length chain stand	1,100 mm