

Telehandlers



**WEIDEMANN**  
*designed for work*



**The compact telehandler.**

Aim high with optimal stability.



## Your indispensable all-rounder.

The compact Weidemann telehandlers are unique in the combination of lift height, width and machine performance. With the 4 wheel drive and all-wheel steering, you have complete stability and are well-equipped for many different tasks. We are providing you with our telehandler, with good, extensive and sturdy standard equipment. With our different options, you can also assemble your machine in terms of drive, tires, hydraulics and the operator's cab so that it is completely customised to you, your business, and your work tasks.

# The compact telehandler.

Aim high with optimal stability.



Undivided chassis and all-wheel steering, low centre of gravity, and excellent stability.

Ergonomic working area and good all-round visibility.

Ideal ratio of lifting height, width, and machine performance.

Compact design with tremendous lift height.



Innovative driver assist system vis (Vertical Lift System).

Three steering modes for efficient operation of the machine.



T4512



T5522



T6027

## Emission standard and engine technology.

With Weidemann, you are well-equipped for the future!

In addition to the integration of an exhaust after-treatment in the form of a particulate filter, the adaptation of the machines to Stage V also requires an additional optimisation of the cooling capacity. This is achieved through a cooled exhaust gas recirculation. A positive side effect is that these new components not only contribute to reducing emissions, but also that the performance of the machines can be greatly improved and the fuel consumption can be reduced by approximately 5% – convincing arguments!

The diesel particulate filter (DPF) coming into application, which filters out a great deal of harmful soot particles, automatically regenerates by burning out the deposited particles during operation at the corresponding temperature – without restrictions for human and machine.

Depending on the model, there are entry engines in the Weidemann telehandler series that are under 19 kW and therefore get by without exhaust emission after-treatment, but comply with the exhaust emission standard for Stage V. They are suitable for operators who require less operating hours of their machines. For a greater power demand, there are models with more powerful engines. Here, the exhaust emission



standard Stage V has been implemented with the installation of a diesel particulate filter (DPF) in combination with a diesel oxidation catalyst (DOC). With this technology, there is no need to add any urea solution (DEF).



## The Weidemann diagnostics and analytic system.

Hot on the trail for errors with wedias.

The new engine technology involves new systems for maintenance and analysis. The sometimes drawn-out search for hidden failures is a thing of the past. With the help of the Weidemann diagnostics and analytic system, wedias, there are many functions are quickly and clearly assessable, such as the operational function, the 3rd and 4th control circuit, engine data as well as electrical functions. Error messages on the display immediately notify the operator of possible failures and make a rapid response possible.



Thanks to the exact designation of the error number, the dealer can come to the machine prepared and with the right spare parts. The subsequent error analysis by trained dealers simplifies further diagnosis and troubleshooting. This saves time, money and nerves.

## EquipCare.

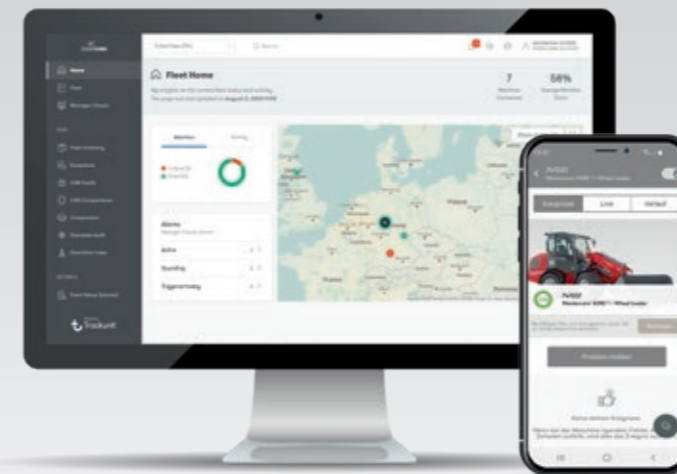
Simply better informed.



Modern fleet management is a good basis for the successful and economical, beneficial application of work machines in your business. With our telematics solution, Weidemann EquipCare, you will have your machine(s) in sight and will know their status, availability and use exactly.

You will be able to comfortably guarantee use, independent of location, using the EquipCare Manager (PC, laptop) and the EquipCare app (mobile end device).

Weidemann machines can be equipped with the EquipCare module ex works so that subsequent retrofitting is not necessary. You will receive your access data promptly prior to delivery of your ordered machine. Should you wish to equip your existing machine with EquipCare, our distributors will gladly offer you a retrofit.



**EquipCare provides you with the following benefits:**

- Exact information regarding your machine's operating data (e.g. operating data, engine load, driving speed, routes, etc.).
- Status of the machine (e.g. temperatures in the engine, radiator, hydraulics, etc.).
- Fill levels within the machine (e.g. fuel, hydraulic oil, coolant, etc.).
- Improved service management with specific planning of notifications for maintenance, disruptions and repairs.
- Shorter downtimes as a result of the remote diagnostic because the service partner already has a multitude of information without the having inspected the machine on-site.
- Simple development of guarantee cases because the cause of damage can be more easily identified.
- Machine theft protection due to the geo-fencing and the seamless determination of its location in real-time. In some instances, this enables better conditions for insurance due to the tracking possibility.
- Increase in run-time and service life of your machine thanks to the proactive communication.
- Higher resale value of used machines.
- Possible compatibility with other manufacturer's apps: then you can develop a fleet management for your whole fleet.

## Secure warranty extension.

Drive with security.



With Weidemann Secure, our offers to extend the warranty term means that you can protect your machine investment once again and receive your all-round, care-free package directly from the manufacturer. In doing so, you can choose between two attractive packages:

- **Economy Secure:** At a fair entry price, with the economy package you will receive the extensive protection for your machine with a low excess.
- **Premium Secure:** With Premium Secure all warranty occurrences are easily controllable without an excess.

You can either go for a Secure Package directly when buying the machine or be flexible and conclude another warranty extension some time after your purchase. Subsequent conclusion can be implemented up to a max. 500 operating hours or max. half a year after transfer of the machine - depending on which event temporarily occurs first.

## Weidemann ecDrive.

Electronic controlled drive system.

The electronic controlled drive system, ecDrive (Electronic Controlled Drive), enables the machine to be used and driven exactly as required. Weidemann has fitted four different drive modes specifically for this purpose. The following two operator modes are included as standard:

- **Auto mode:** Ensures the machine's usual 100% performance.
- **Eco mode:** The engine speed reduces to 2,200 revs/min once the desired driving speed has been reached. This enables a reduction of noise as well as a saving on fuel.

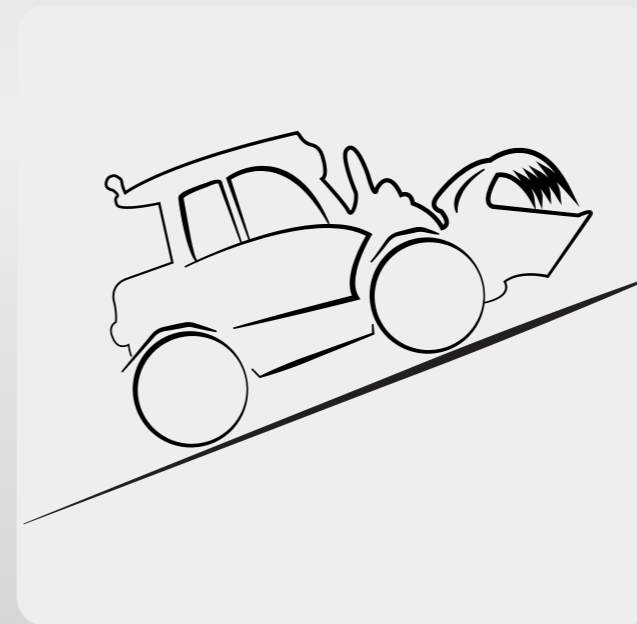
The two other optional operator modes are designed specifically for use with hydraulically-operated attachments or for the optimised execution of the Y loading cycle. One of the following two modes is optionally available for this:

- **Attachment mode:** This mode perfectly supports the use of attachments. Here, the operator sets the speed of the diesel engine with the throttle and controls the driving speed with the foot pedal or cruise control. With these controls, speeds can be very finely set in increments of 0.10 km/h, via the display.



This ensures a constant feed for the attachment. If the load on the attachment is too great (e.g. various cut material in front of a mulcher), the machine automatically restricts the speed to ensure the best possible performance for the attachment. Once the load is cleared, the machine returns to the preset speed. This is done using a cruise control function. However, if the operator still wishes to drive or reverse at a higher speed, they can override the cruise control at any time via the foot pedal, and can even increase the speed of the machine to its maximum.

- **M-drive mode:** This mode should be used for the optimised execution of Y loading cycles. Here, the operator sets the engine speed with the throttle and controls the driving speed and/or control pressure with the foot pedal. This dispenses with the need for "inching" and supports the execution of fast Y loading cycles.



### Electric parking brake.

The electric parking brake provides another auto-hold function, in addition to the hill-hold function. The brake is applied automatically when the machine comes to a standstill, when the machine is in neutral or when the operator leaves the cab. The parking brake is likewise automatically released when the machine is engaged using the foot pedal. Naturally, the brake can also be applied or released manually by pressing the switch.

The models for which the electronically controlled drive system ecDrive and the electric parking brake are available can be found on p. 29.

# The driver assist system vls (Vertical Lift System).

Certainly a better work flow.



## Driver assistance system vls (Vertical Lift System).

The vls (Vertical Lift System) is installed in all Weidemann telehandlers. It makes a fluid working principle possible and, through a partially automated telescoping movement, supports the work in a complex operating environment. Due to the nearly vertical lifting or lowering movement, the stability of the machine is improved.

The operator has the following vls modes available:

1. Bucket mode (e.g. loading work with bulk material),
2. Stacking mode (e.g. stacking round bales)
3. Manual mode (only available with the T6027; the system is deactivated when the arm is fully retracted. But the safety switch-off remains active. This means that pushing work can be done without system intervention.)

When lifting, the telescopic arm automatically extends in the upper range only if the stacking mode is switched on. When lowering, the telescopic arm automatically retracts in the upper range if the stacking mode and bucket mode are switched on. This guarantees that the load always remains close to the machine and stability is always guaranteed.

The fluid working principle, the avoidance of a reduced lowering speed for safety reasons and the easier machine operation increase the machine's handling performance. Experienced operators can work even faster and more safely with the vls. Inexperienced operators receive valuable support with lifting and loading work.

**Without vls.** The machine reaches the tip-over limit when simply lowering.



**With vls.** Nearly vertical movement. Hardly any load torque displacement in the longitudinal direction of the machine.



— Operating parameter — Response of the loading system



### The vls has received multiple international awards:

Agritecnica innovation award 2011, silver Germany



eima innovation award 2012 Italy



Equitana innovation award 2013 Germany



## The basic Weidemann virtues.

Agile, multi-functional, and suitable for all terrains.



### Compact machines with a high level of maneuverability.

The all-rounder for any application location. All telehandlers of our line of products have particularly small inner radii. Especially when things become tight, e.g. work in stables or storage areas, our telehandlers feature small radius and optimum maneuverability. All-rounder for any application location.



### Undivided chassis, all-wheel steering, low centre of gravity and excellent stability.

Thanks to the all-wheel steering and the undivided frame, Weidemann telehandlers are particularly manoeuvrable and very stable. The machine's low centre of gravity also increases its stability.



### Variety in the outfitting.

Weidemann telehandlers have comprehensive and sturdy standard equipment. Depending on application and preferences, you could, for example, individually configure the engine, shafts, drive, operator's cab or hydraulics. Your Weidemann is always custom-made. A selection of the standard equipment and options available can be found on page 29 and at [www.weidemann.de](http://www.weidemann.de).



**A multi-tool for various applications.** Whether for transporting, feeding, mucking, sweeping or stacking: Thanks to the enormous variety of various attachments, your Weidemann telehandler becomes a universal multi-tool. You can find more about this on pages 22–23.



### Efficient change of attachments.

Thanks to the hydraulic quick-change system, attachments can be readily exchanged. In this way, your machine is again ready for application at once. This increases productivity and profitability.



### Changing attachments with additional function made easy!

With the Weidemann ecs (Easy Coupler System), hydraulically operated attachment can be easily and safely changed over from the comfort of the operator's seat. The operator need not get out of the machine to manually attach the hydraulic coupling. This increase the operator's safety, protects the environment as less oil drips onto the ground and is also clearly time-saving, this increases productivity.

## Economic efficiency that's worth it.

Efficient work operation thanks to reliable technology.

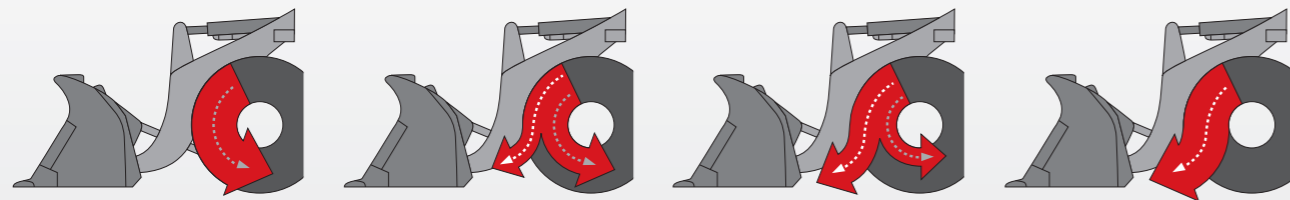


### Work economically.

Today, economic efficiency is one of the most important features that telehandlers should bring to your business. The faster and more time-saving a wheel loader can manoeuvre, the higher its performance. For Weidemann machines, economic efficiency means technically sophisticated solutions such as large lifting height, strong shearing forces, high stability, and an efficient quickhitch system for attachments.

### Connectible 100% differential lock.

The connectible 100% differential lock provides maximum traction and thrusting force if necessary. It also keeps the tyre wear low (switched off during normal operation). This increases the efficiency of your machine!



### The brake-inch pedal.

In Weidemann machines, the hydrostatic all-wheel drive is combined with the brake pedal. Through the "inching", this enables creeping until standstill. With the brake-inch pedal partially depressed, it is possible to travel at millimeter precision at crawling speed at full engine speed while

quickly lifting. If the pedal is pushed further, the machine will stop. The advantage of the brake-inch pedal is the optimal distribution of the engine output. Stalling of the engine is also not possible.



### Optimum ease of servicing.

The engine hood can be opened with just one handle for regular service and maintenance jobs. The hydraulic oil tank, air filter, engine oil filling, oil-level dipstick and coolant are therefore easily and quickly accessible - real added comfort.

### Easy transport.

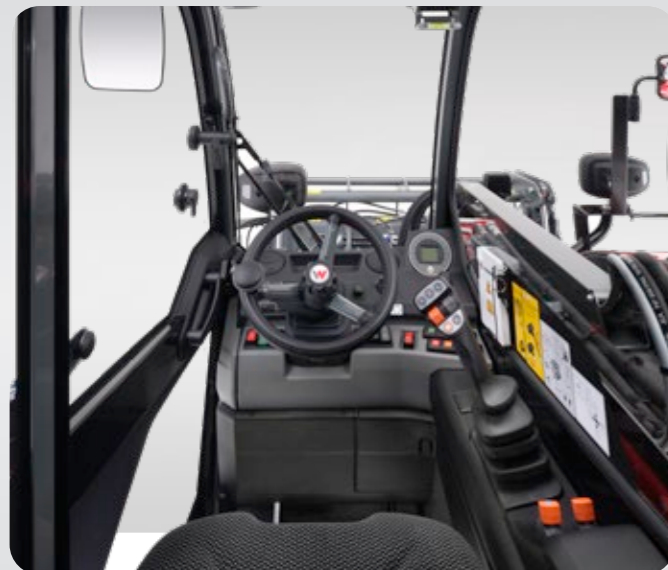
The Weidemann telehandler T4512 can be easily transported on a 3.5 t trailer. This means the machine is quick and flexible to move from application to application.





## High level of operating and driving comfort.

Optimal visibility and good working environment.



### Good all-round visibility.

The cab provides an excellent overview of the attachments, the immediate working area, and the entire machine surroundings. In combination with the sloping engine hood, the low side window on the right-hand side and the high seat position ensure an optimal view. This increases safety across the machine's entire working area. The cab elevation option for the T5522 and T6027 will improve the overview even more.

### Comfortable operator's seat.

The operator's seat is adjustable, ergonomically formed, and well suspended. The optional air-cushioned comfort seat provides for fatigue-free work. The seats can be heated when working in cold conditions.

### Ventilation as required.

The cab has a large, wide-opening door on the left-hand side. Depending on the cab type, the upper window can fold up completely and be locked. A gap ventilation is also possible. The rear window is adjustable – this ensures a pleasant temperature and maximum flexibility.

### Comfortable working environment.

An excellent working environment thanks to an efficiently working heating and ventilation system featuring a fan, fresh air filter, and well-placed air nozzles. In particularly warm temperatures, an air-conditioning system is recommended.

### Three types of steering for maximum flexibility.



### All-wheel steering.

Full manoeuvrability and power development in the smallest area.



### Front wheel steering.

For safe driving, even at higher speeds.



### Crab steering.

Sideways driving for ultra-precise manoeuvring in tight spaces, such as for shift work on walls.

## A motivating working area.

Ergonomically arranged operating controls and simple handling.



### Extensive lighting package.

The lighting can be adapted to various requirements: standard lighting, lighting according to Road Traffic Regulations (StVZO) (halogen or LED) and LED lighting package work lights on the cab or telescopic boom. This enables individually adapted work with the machine, even in the dark. Good illumination of the working area provides the operator with greater work safety and also allows the operator a longer period of time for fatigue-free work when using the machine.



### The joystick offers easy one-hand operation.

The joystick becomes an all-rounder and the machine's ease of use is increased even further. In addition to the functioning of the 3rd proportional control circuit that can be operated on the joystick, the continuous operation of the 3rd control circuit can be activated via a switch – and also by moving the thumbwheel in both directions. The telescopic function can also be operated proportionally. Both electrical functions can also be operated on the joystick in a detenting or latching manner. Both electric functions are independent so that they can be individually configured by the operator.



### Hydraulic oil volume adjustment (T6027).

If necessary, the "Jog Dial" control element can be used to manually set the flow rate of the hydraulic oil. This is advantageous if the machine is operating a hydraulic attachment that does not require the full hydraulic performance of the machine. The operator can therefore work precisely and in a resource-saving manner with the machine and attachment.



### Easy access.

With one step, you can get into the machine's cabin comfortably. The low design and associated low entry height make this possible.



### Pressure release of 3rd control circuit.

Weidemann telehandlers offer a special feature that is helpful for coupling and uncoupling hydraulically operated attachments: The knob for pressure release of the 3rd control circuit is placed outside on the telescopic arm so it is easily accessible. In this way, different attachments can be replaced faster and more efficiently. This works with the ignition switched on or the engine running.



### Reversing fan.

Contamination of the ventilation grill, e.g. when loading straw, can be counteracted with the reversing fan. The hydraulic motor and pump are designed so that the air flow of the fan can be reversed (ability to be reversed). The dirt accumulation on the intake surfaces of the engine hood are simply blown away at the push of a button in the cabin.



### Suitable for trailer operation.

Optionally there are various attachment couplings available: from the simple shunting coupler, through a semi-automatic, to an auto-hitch trailer attachment (availability dependent on model and country).



### Automatic bucket return (option for T6027).

The loading position can be saved by pressing the corresponding button on the joystick. During the next loading process, the attachment can thus be brought back to exactly the same position. The automatic bucket return therefore offers extra comfort, precision and speed for the operator for repetitive work, such as stacking or filling containers.



## Our quality promise.

Weidemann offers true German-made quality.

At Weidemann, quality is not an empty promise. A true Weidemann comes from one of the most modern wheel and telehandler production facilities in Europe. The plant in Korbach guarantees a consistently high quality of our products. At Weidemann, quality begins early on because compliance with defined processes is taken seriously. Purchased parts supplied to production are continually monitored, tested, and optimised in co-operation with suppliers.



### Powder-coating.

The powder-coating is another key feature of the special quality standard at Weidemann. This guarantees optimum protection against corrosion. In comparison to conventional wet painting, it greatly extends the service life of the machine. It is also more efficient and environmentally friendly.



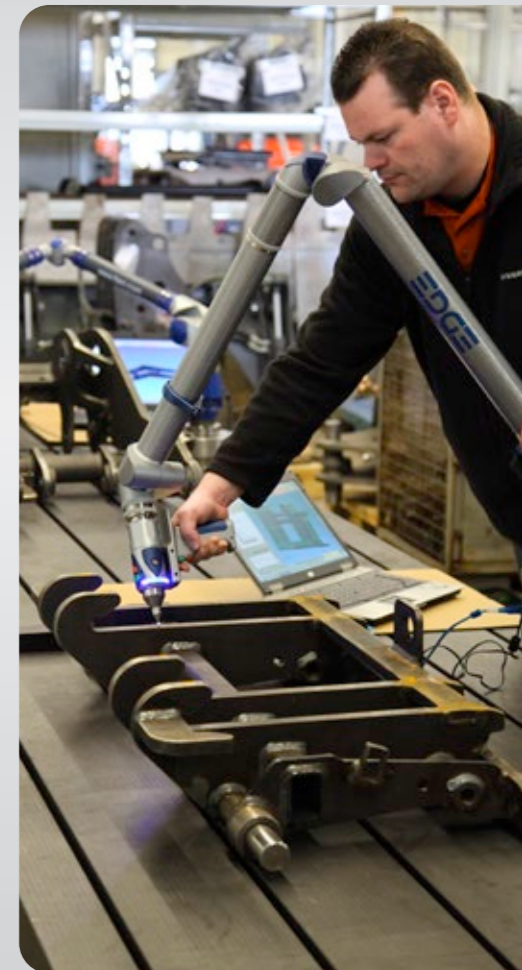
### Careful final inspection.

Every Weidemann that leaves our factory is subjected to a careful final inspection. This guarantees our customers a long service life and low operating costs from the start. The Weidemann label means quality.



### DIN EN ISO 9001.

This standard is recognised internationally. With a certified quality system in accordance with international standard ISO 9001, Weidemann proves that a focus on quality is reflected in all thoughts and actions within the company and that customers receive certified quality in all areas.



**Weidemann telehandler.**  
Versatility that convinces.



# The optimal attachment for every task.

Your machine becomes a multi-tool

Only the right attachment makes our machines into true problem solvers for your respective work task. With the richly varied and well-thought-out product range, our machines become highly functional multi-tools that meet any application. See here a selection of attachments and activities, which can be easily completed using those.

## Material Handling



## Gripping



## Grab fork



## Stacking and transporting



## Cleaning



## Mowing and mulching



## Trimming trees and hedges



## Winter services



## Feed handling



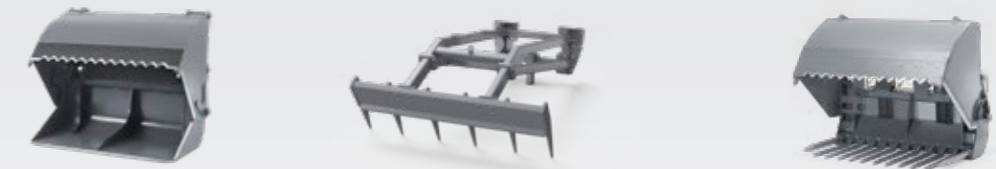
## Bale handling



## Stable work



## Silage handling



## Equestrian business



You can find all ex works attachments at: [www.weidemann.de](http://www.weidemann.de)

You can obtain more information from your Weidemann distributor.

# The matching options for your business.

Individual, need-based and economical.



### Cab elevation:

The cab of the machine is raised.

### Advantage:

- The elevated seating position enables better overview of the attachment, the work area and the view to the right.



### Speed increase to 30 km/h:

The machine is equipped with a speed of 30 km/h.

### Advantage:

- Faster transposing of the machine is possible.
- Time savings and increased economic efficiency.



### Electrical connections (front and rear):

Connections for electrically operated additional functions of attachments (like rotary sweeper with water-spraying equipment).

### Advantage:

- This enables the operation of electrically-operated additional functions of attachments.
- The switch-over of additional functions of hydraulic attachments is possible.



### High Flow:

The machine is equipped with High-Flow high performance-hydraulics.

### Advantage:

- Enables operation of front attachments demanding a lot of oil (like a snow blower).



### Hand-inching:

With the low-speed control, very slow travel speeds can be achieved at a constant engine speed.

### Advantage:

- When using attachments that, for example, are operated with a constant high rpm but simultaneously with a very low driving speed (e.g. a rotary sweeping machine), you do not have to constantly operate the foot inching pedal.



### Fully automatic central lubrication unit:

The duration of the lubrication process as well as the lubrication intervals can be set by the fully automatic central lubrication unit.

### Advantage:

- Regular re-lubrication of all lubrication points increases the longevity and thus the service life of the machine.
- Time and cost savings through low maintenance effort.



### Hydraulic connections in the rear:

The machine is equipped with rear hydraulic connections (dual-effect).

### Advantage:

- The application areas of the machine increase, because hydraulic rear attachments or tipper-trailer can be operated.



### Pressureless return:

The hydraulic oil flows in a separate line through the hydraulic filter back in the hydraulic oil tank.

### Advantage:

- Attachments with their own hydraulic motor can guide the return oil without increased dynamic pressure back in the hydraulic oil tank.

# Your Weidemann telehandler.

Individually designed and built as required.

With Weidemann, you are on the safe side – we offer you our telehandlers already with good, comprehensive and heavy-duty standard equipment. With our different options, you can also assemble your machine in terms of drive, tires, hydraulics and the operator's cab so that it is completely customised to you, your business, and your work tasks.



T4512



T5522



T6027

# Standard equipment and options.

	T4512	T5522	T6027
<b>DRIVE SYSTEM</b>			
Hydrostatic four-wheel drive (medium pressure)	●	-	-
Hydrostatic four-wheel drive (high pressure)	-	●	●
PTO gear and universal joint shaft	●	●	●
ecDrive: electronic controlled drive system, hydrostatic via PTO gear and universal joint shaft	●	-	-
Electric handbrake	●	-	-
Differential lock 100% electro-hydraulically connectible to front and rear axle (T6027 on front axle)	○	○	○
Hand inching (low-speed control)	○	○	○
Manual throttle	○	○	○
All-wheel steering	●	●	●
Front wheel steering	○	○	●
Crab steering	○	○	●
<b>HYDRAULICS</b>			
vls (Vertical Lift System)	●	●	●
3. control circuit, via lever	●	-	-
3. control circuit front, proportional	-	●	●
Gear pump with flow sharing system	-	-	●
3. control circuit proportional incl. continuous operation via switch and telescopic function proportional	○	-	-
3. control circuit, electrically, proportionally, serial	-	○	-
High Flow - single-acting performance hydraulics (70 - 100 l/min)	○	○	-
Unpressurised return line, front	○	○	○
Unpressurised return line, rear	-	○	-
Faster rapid action couplings - machine-side	○	○	-
Faster rapid action couplings - attachment-side	○	○	-
Rear hydraulic connection additionally dual-acting	○	○	○
Three-point receptacle in the rear	-	○	○
PTO 540 rpm (19 kW)	-	○	○
<b>OPERATOR'S CAB</b>			
Cab with heating, ventilation, and windscreen wiper, ROPS and FOPS-tested	●	●	●
Cab elevation	-	○	○
Comfort seat with safety belt mechanically suspended	●	●	●
Comfort seat with safety belt air-suspended	○	○	○
Heated seat	○	○	-
Air-conditioning system	○	○	○
Lighting system according to StVZO	○	○	●
LED work light	●	○	○
<b>OTHER</b>			
Automatic bucket return	-	-	○
Reversing fan	○	-	○
Load arm damping	-	○	○
Central lubrication system	○	○	○
Mechanical quickhitch system for attachments	●	●	●
Hydraulic quickhitch system for attachments	○	○	○
ecs (Easy Coupler System)	○	-	-
TÜV (Industrial Supervisory Board) certificate for driving on public roads	○	○	○

● Series  
○ option  
- Not possible

This brochure is for general product information. If you are interested, one of our distributors would be happy to send you an offer. The descriptions, illustrations and technical data are not binding and do not necessarily represent the standard design. We reserve the right to make changes. Despite the greatest care and diligence being applied, we cannot rule out deviations from the images or measures, errors in calculation, misprints or omissions in this brochure. We therefore assume no liability for the accuracy and completeness of our information in this brochure.

The illustration shows a selection of standard equipment and options. More detailed information about standard equipment and options can be obtained from your Weidemann distributor. More information can be found at [www.weidemann.de](http://www.weidemann.de)

# Technical data.

	T4512	T5522	T6027
<b>ENGINE DATA</b>			
Engine manufacturer	Yanmar	Perkins	Kohler
Type of motor	3TNV80FT	404J-E22T	KDI 2504 TCR
Cylinders	3	4	4
Max engine output kW	18.4	45	55.4
Max engine output HP	25	61	75
At max. speed rpm	2,600	2,800	2,600
Displacement cm <sup>3</sup>	1,226	2,200	2,482
Type of coolant	Water	Water	Water
Emissions standard level	V	V	V
Exhaust after-treatment	-	DOC/DPF	DOC/DPF
<b>ENGINE DATA (OPTIONAL)</b>			
Engine manufacturer	Yanmar	-	-
Type of motor	3TNV86CHT	-	-
Cylinders	3	-	-
Max engine output kW	33.3	-	-
Max engine output HP	45.3	-	-
At max. speed rpm	2,600	-	-
Displacement cm <sup>3</sup>	1,568	-	-
Type of coolant	Water	-	-
Emissions standard level	V	-	-
Exhaust after-treatment	DOC/DPF	-	-
<b>ELECTRICAL SYSTEM</b>			
Operating voltage V	12	12	12
Battery (optional) Ah	77 (100)	77	100
Light machine (optional) A	80 (130)	120	80
<b>WEIGHTS</b>			
Operating weight (standard) kg	2,750-2,900	4,200	5,225
Payload max. kg	1,250	2,200	2,700
<b>VEHICLE DATA</b>			
Operator's cab	Cab	Cab	Cab
Axle	PAL 1155	PAL 1530	PAL 1720
Travel speed (optional) km/h	0-20 (30)	0-20 (30)	0-20 (30)
Fuel tank capacity l	33	70	100
Hydraulic oil tank capacity l	36	55	75
<b>HYDRAULIC SYSTEM</b>			
Drive hydraulics – working pressure bar	380	450	450
Work hydraulics – discharge volume (optional) l/min	28.6 (41.6-70.2)	70 (100)	90
Work hydraulics – working pressure bar	220	225	245
<b>DRIVE SYSTEM</b>			
Type of drive	ecDrive (Electronic controlled drive system)	hydrostatically	hydrostatically
Travel drive system	hydrostatic and pto gear universal joint shaft	universal joint shaft	universal joint shaft
<b>SOUND PARAMETERS</b>			
Averaged sound power level L <sub>w</sub> A dB (A)	99	103.4	103
Guaranteed sound power level L <sub>w</sub> A dB (A)	101	104	104
Specified sound pressure level L <sub>p</sub> A dB (A)	85	84	80

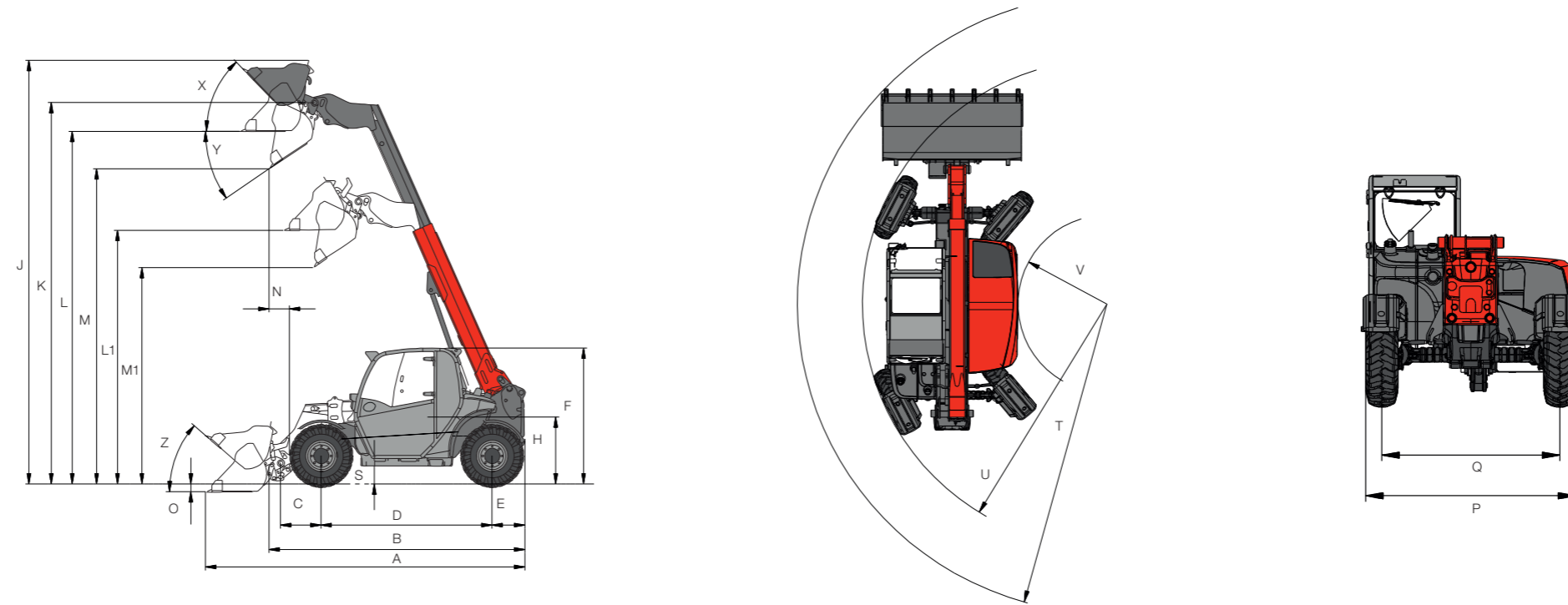
DOC = diesel oxidation catalyst  
DPF = diesel particle filter

There may be short-term changes in the engines because of the constantly evolving emission standards. For current availabilities, you can contact your Weidemann distributor.

More information can be found at [www.weidemann.de](http://www.weidemann.de)



# Dimensions.



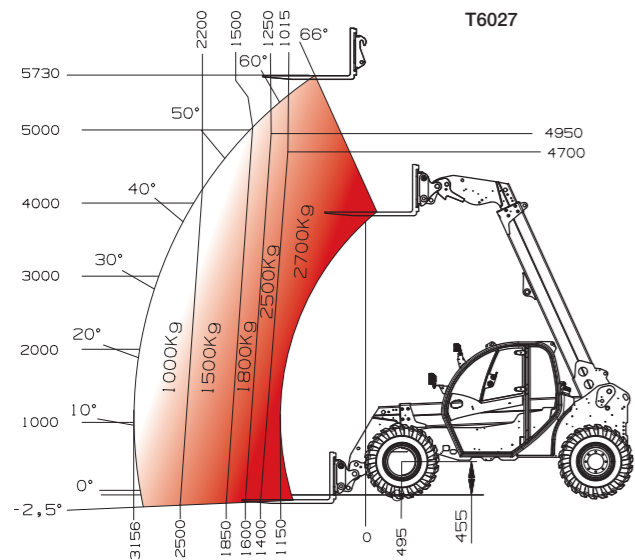
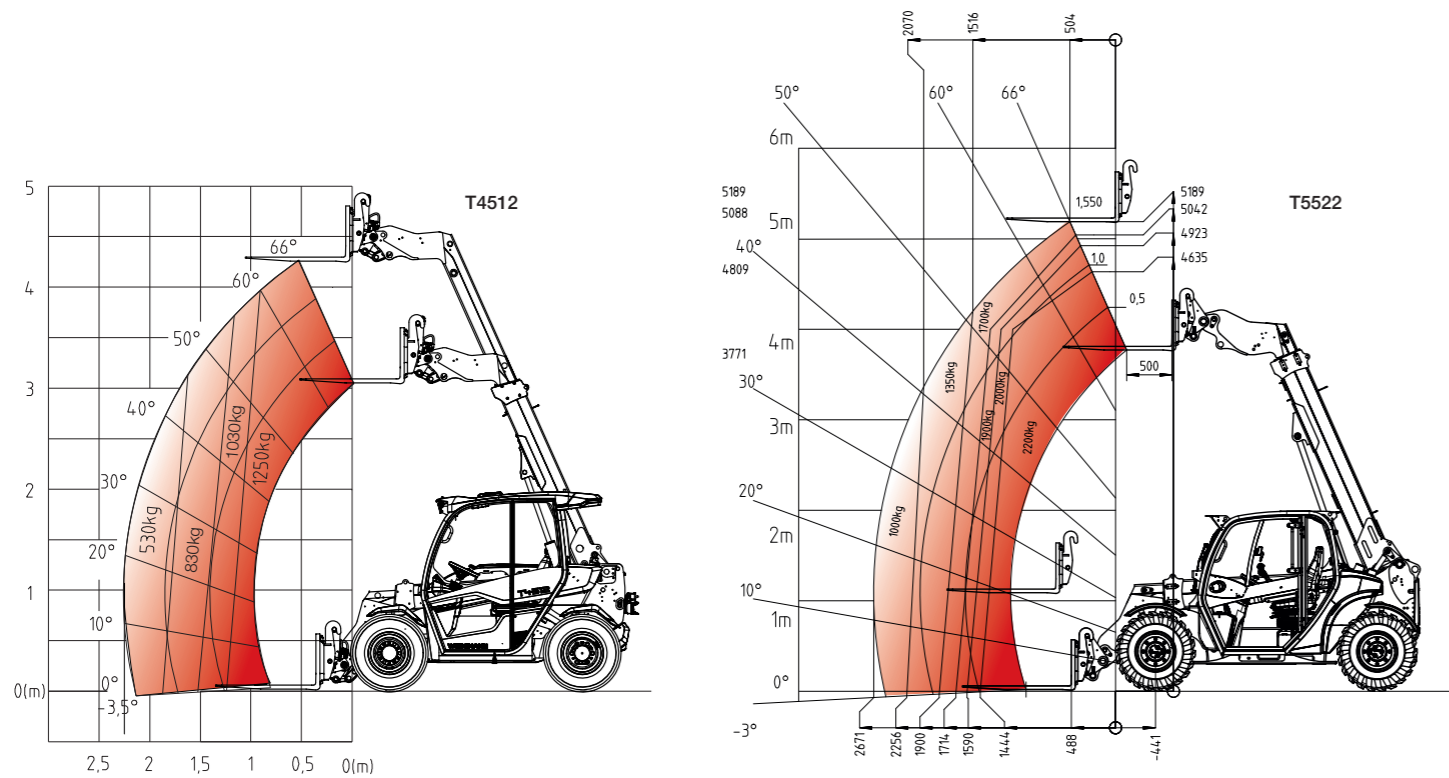
T4512                      T5522                      T6027

## DIMENSIONS

Tires	10.0/75-15.3 AS ET-40 Starco	10.5 / 80 - 18 AS ETO	12.5-18 MPT-01
A Total length mm	3,944	4,576	4,958
B Total length (without bucket) mm	2,977	3,747	4,400
C Bucket pivotal point (to axle centre) mm	450	581	1,030
D Wheel base mm	1,922	2,449	2,650
E Rear overhang mm	427	472	720
F Height with cab mm	1,995	-	-
Height with cabin low mm	-	1,950	1,980
Height with cabin high mm	-	2,150	2,100
H Seat height mm	978	962	1,025
J Total working height mm	5,280	6,074	6,580
K Bucket pivot point (max. lifting height) mm	4,537	5,471	6,080
L1 Overhead loading height of retracted telescopic boom mm	2,949	3,638	3,730
L Overhead loading height of extended telescopic boom mm	4,163	5,056	5,600
M1 Dumping height of retracted telescopic boom mm	2,352	3,103	3,450
M Dumping height of extended telescopic boom mm	3,566	4,520	5,280
N Reach (for M) mm	476	293	680
O Digging depth mm	96	111	150
P Total width mm	1,564	1,808	1,975
Q Track width mm	1,235	1,530	1,660
S Ground clearance mm	294	256	250
T Max. radius outside mm	3,550	4,153	4,500
U Radius on outer edge mm	2,695	3,281	3,670
V Inner radius mm	951	1,193	1,700
X Roll-back angle at max. lifting height °	53	46.5	45
Y Max. dumping angle °	36	34.5	40
Z Rollback angle on bottom °	36	41	45



## Load-bearing capacity diagrams.



## Vibration characteristic values.

Typical operating conditions	Mean value			Standard deviation (s)		
	$1.4 \cdot a_{w,eqx}$ [m/s <sup>2</sup> ]	$1.4 \cdot a_{w,eqy}$ [m/s <sup>2</sup> ]	$a_{w,eqz}$ [m/s <sup>2</sup> ]	$1.4 \cdot s_x$ [m/s <sup>2</sup> ]	$1.4 \cdot s_y$ [m/s <sup>2</sup> ]	$s_z$ [m/s <sup>2</sup> ]
<b>VIBRATIONS</b>						
<b>TYPE OF LOADING</b>						
<b>Compact wheel loader (operating weight &lt; 4,500 kg)</b>	0.94	0.86	0.65	0.27	0.29	0.13
<b>Wheel loader (operating weight &gt; 4,500 kg)</b>						
Load and carry (load and transport work)	0.84	0.81	0.52	0.23	0.20	0.14
Application in quarrying (harsh application conditions)	1.27	0.79	0.81	0.47	0.31	0.47
Delivery drive	0.76	0.91	0.29	0.33	0.35	0.17
V-operation	0.99	0.84	0.54	0.29	0.32	0.14

### Whole-body vibrations:

- Each machine is equipped with an operator's seat that meets the requirements of EN ISO 7096:2000.
- When the loader is properly used, whole body vibration varies from below 0.5 m/s<sup>2</sup> up to a short-term maximum value.
- To calculate the vibration values according to ISO/TR 25398:2006, it is recommended to use the values specified in the table. The actual application conditions are to be considered.

- Like wheel loaders, telehandlers are to be classified according to operating weight.

### Hand-arm vibrations:

- The hand-arm vibrations are no more than 2.5 m/s<sup>2</sup>.

# Tires.

	T4512	T5522	T6027
<b>AXLE</b>	PAL 1155	PAL 1530	PAL 1720
	Width of machine mm		
<b>TIRES</b>			
10.0/75-15.3 AS ET-40 Starco	1,560	-	-
31x15.50-15 AS ET0 Mitas	1,560	-	-
31x15.50-15 AS ET0 Starco	1,560	-	-
270/65-16.5 EM Kenda PowerGr ET-40	1,560	-	-
400/50-15 RP Starco Turf Tech ET0	1,560	-	-
270/65-16.5 EM Kenda RockGr ET-40	1,560	-	-
315/55 R16 ET-20 Continental MPT81	1,560	-	-
260/70 R16.5 ET-60 Michelin BIBSTEEL Hard Surface	1,560	-	-
10.5/80-18 AS ET0	-	1,808	-
325/70 R 18 AS ET0	-	1,860	-
425/50-18 AS ET36	-	1,874	-
10.5/80-18 EM ET0	-	1,800	-
15.5/55 R 18 EM ET50	-	1,800	-
12.0/75-18 MPT ET0	-	1,830	-
425/50-18 Alptrak ET36 Starco	-	1,870	-
12.5-18 MPT-01	-	-	1,975
12.5-20 MPT-01	-	-	1,929
405/70-20 MPT 01	-	-	2,027
400/70 R20 Michelin XMCL	-	-	2,027
400/70 R20 BIBLOAD	-	-	2,023
12.5-18 MPT-04	-	-	1,975
400/70 R20 Alliance Multiuse 550	-	-	2,024
10-16.5 12 PR Primex	-	-	1,940
33x12-20 Alliance	-	-	1,980

Standard tyres

# Tire treads.



**EM treads**  
Thanks to the almost parallel lamellas, the EM tread is particularly well suited for loose ground such as sand, soil or gravel. Thanks to the high thrust transmission, this tire has a large footprint and runs very smoothly on the road.



**AS treads**  
The tapered lamellas provide for safe driving, especially on greasy and very dirty floors.



**SureTrax treads**  
The SureTrax tread impresses with a large contact surface as well as a high lift capacity. It is ideal for solid and other hard surfaces.



**Bibload treads**  
The Bibload tread offers high level of running smoothness and high mileage due to large ground contact area. Furthermore, the staggered tread blocks ensure optimum traction. The tread is further characterised by high wear resistance.



**RP treads**  
Due to the large contact surface, the ground is traversed gently. This makes the RP tread particularly suitable for application on lawns.



**MPT treads**  
The MPT tread offers the perfect combination of good traction on uneven ground conditions as well as fast road crossings.



**Multi-use treads**  
The multi-use tread was specially designed for year-round use and various climate conditions. In summer, it provides good traction on loose surfaces. In winter, it offers stability on snow and slippery driving surfaces.





# WEIDEMANN

*designed for work*

## Weidemann – traditionally efficient.

For decades, our mission has been to lighten the load of commercial agriculture by the mechanisation of stable and yard operations. This led to the design and development of the Hoftrac®, which has become a generic term for its own equipment category – the original comes from Weidemann. The close co-operation between the Weidemann developers and our end users has repeatedly led to innovative concepts and a sophisticated product programme with high usability and mature technology.

We stand by this and continue to pursue our chosen path. Our customers benefit from high productivity, investment security and have a strong partner in Weidemann, who is always at their side. Our machines and services perform at a high level and inspire in daily work. Made precisely for this. Weidemann – designed for work.



## Weidemann your strong partner.

All-round care.



### Comprehensive dealer network.

Weidemann has a wide network of select dealers in Germany and Europe. Each dealer is part of a well-organised system. In addition to consulting and selling new machines, our dealers are happy to provide you with reliable customer service and supply you with spare parts. Weidemann offers regular training for dealers so that your contact partners are always up to date.

### Attractive financing programme.

In Germany, Weidemann offers attractive options for financing or leasing machines thanks to various framework agreements. Weidemann distributors also offer various financing options at the international level. Get in touch with your local contact partner to find out about current conditions.



### Personal training and instruction.

When you decide to purchase a Weidemann machine, you will not be left in the dark. When the machine is handed over, you and your entire team will receive detailed instructions on the operation and maintenance of the machine. If you would like to know more, simply contact your dealer. He or she is just around the corner and will be happy to help without bureaucracy.

### Speed is sought-after in the spare parts sector!

As our Weidemann machines are generally being used by you on a daily basis, your machine must be repaired as quickly as possible, if needed. For this, Weidemann has a central spare parts warehouse, which provides specialist dealers with an electronic 24hr order service and delivery within 24hr in Europe. Furthermore, many of our dealers have developed their own, well-organised stock of spare parts and maintenance items so that the most common parts are available on-site.



# WEIDEMANN

*designed for work*

## The Weidemann product range.



### The multifunction Hoftracs®.

Powerful helper for every application. Our innovation: the fully electric 1160 eHoftrac®.



### The powerful wheel loader.

Available either with load arm or telescopic arm.



### The compact telehandler.

Aim high with optimal stability.



### Attachments and tires.

Your Weidemann machine becomes a multi-tool! The optimal attachment and the right tires for every task.

### Weidemann GmbH

Elfringhäuser Weg 24

34497 Korbach

Germany

Tel. +49(0)5631 50 16 94 0

Fax +49(0)5631 50 16 94 666

info@weidemann.de

www.weidemann.de



WM.EMEA.10272.V04.EN-GB/06/2021