

Technical sheet :

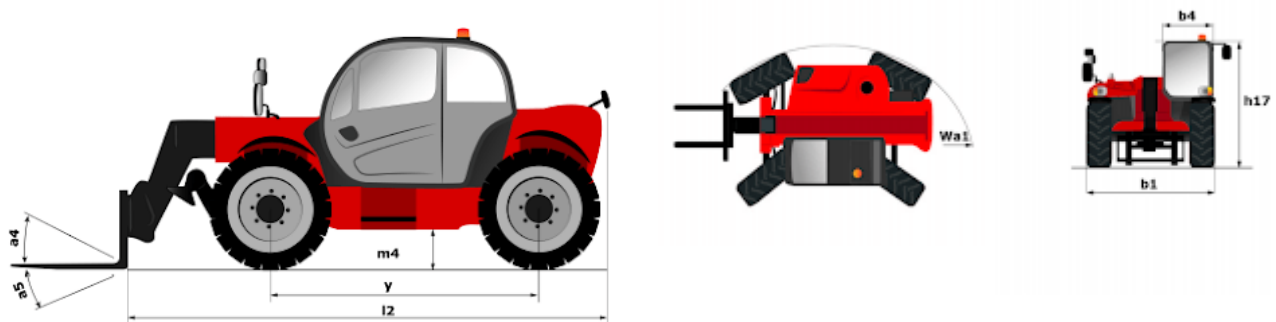
MTA 6642 E74



 **MANITOU**
HANDLING YOUR WORLD

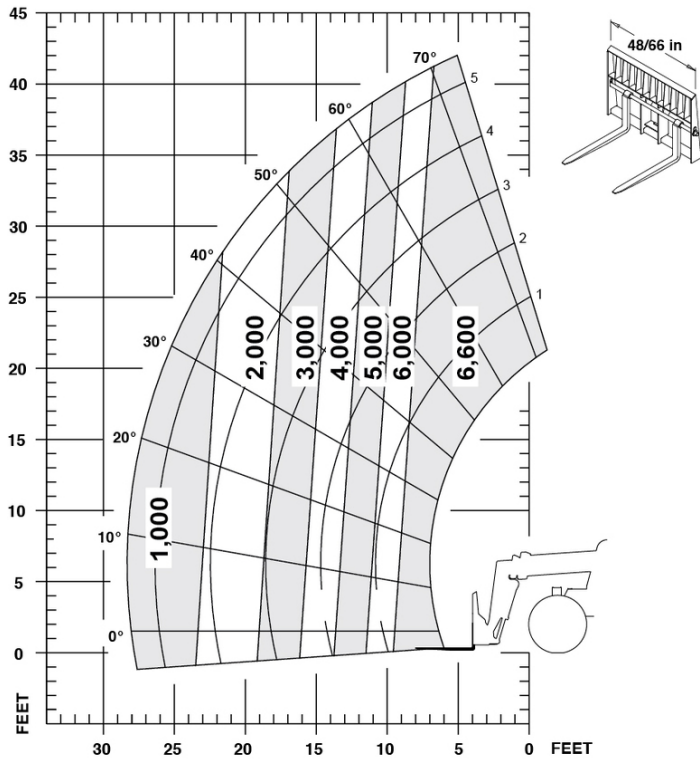
| Capacities | | Metric |
|---|-----------|----------------------------------|
| Max. capacity | | 2994 kg |
| Max. lifting height | | 12.80 m |
| Max. outreach | | 8.60 m |
| Weight and dimensions | | |
| Overall length to carriage | l11 | 5.81 m |
| Overall width | b1 | 2.50 m |
| Overall height | h17 | 2.34 m |
| Wheelbase | y | 3.03 m |
| Ground clearance | m4 | 406 mm |
| Overall cab width | b4 | 838 mm |
| Tilt-up angle | a4 | 12 ° |
| Tilt-down angle | a5 | 112 ° |
| External turning radius | Wa3 | 4.20 m |
| Unladen weight (with forks) | | 9980 kg |
| Tyres type | | Inflatable |
| Standard tyres | | 13 x 24 |
| Forks length / width / section | l / e / s | 1200 mm x 125 mm / 45 mm |
| Performances | | |
| Lifting | | 11 s |
| Lowering | | 8 s |
| Extension | | 14 s |
| Retraction | | 12 s |
| Crowd | | 7 s |
| Dump | | 4 s |
| Engine | | |
| Engine brand | | Deutz |
| Engine norm | | Stage IV / Tier 4 Final |
| Engine model | | TCD 3.6 L4 |
| Number of cylinders / Capacity of cylinders | | 4 - 3.80 cm ³ |
| Power (kW) | | 55 kW |
| Max. torque / Engine rotation | | 390 Nm @ 1300 rpm |
| Transmission | | |
| Transmission type | | Torque converter with powershift |
| Number of gears (forward / reverse) | | 4 / 3 |
| Max. travel speed | | 24 km/h |
| Parking brake | | SAHR |
| Service brake | | Wet disc brakes |
| Axle Manufacturer | | Dana |
| Hydraulics | | |
| Hydraulic pump type | | Gear pump |
| Hydraulic flow / Pressure | | 157 l/min / 207 bar |
| Tank capacities | | |
| Engine oil | | 14.70 l |
| Hydraulic oil | | 170 l |
| Fuel tank | | 178 l |
| Miscellaneous | | |
| Steering wheels (front / rear) | | 2 / 2 |
| Drive wheels (front / rear) | | 2 / 2 |
| Safety cab homologation | | ROPS/FOPS |
| Controls | | Single joystick with FNR |

MTA 6642 E74 - Dimensional drawing



MTA 6642 E74 - Load chart

Machine on tyres with forks Metric





Head Office

B.P. 249 - 430 rue de l'Aubinière

44150 Ancenis Cedex - France

Tel: +33 (0)2 40 09 10 11 - Fax: +33 (0)2 40 09 10 97

www.manitou.com



This publication provides a description of the configuration versions and options for Manitou products, which may differ for equipment. The equipment presented in this brochure may be part of a series, as an option, or it may not be available, depending on the versions. Manitou reserves the right, at any time and without notice, to amend the specifications described and represented. The specifications provided do not bind the manufacturer. For more details, please contact your Manitou agent. This is not a contractually binding document. The presentation of the products is not contractually binding. List of specifications non-exhaustive. The logos as well as the visual identity of the company are owned by Manitou and cannot be used without authorisation. All rights reserved. The photos and diagrams contained in this brochure are only provided for consultation and information purposes.

MANITOU BF SA - Limited company with board of directors - Share capital: 39,668,399 euros - 857 802 508 RCS Nantes