

Technical sheet :

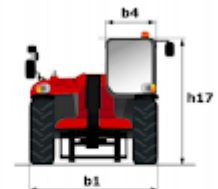
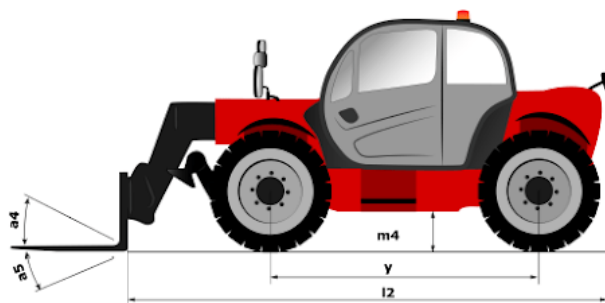
# MTA 5519 S3



 **MANITOU**  
HANDLING YOUR WORLD

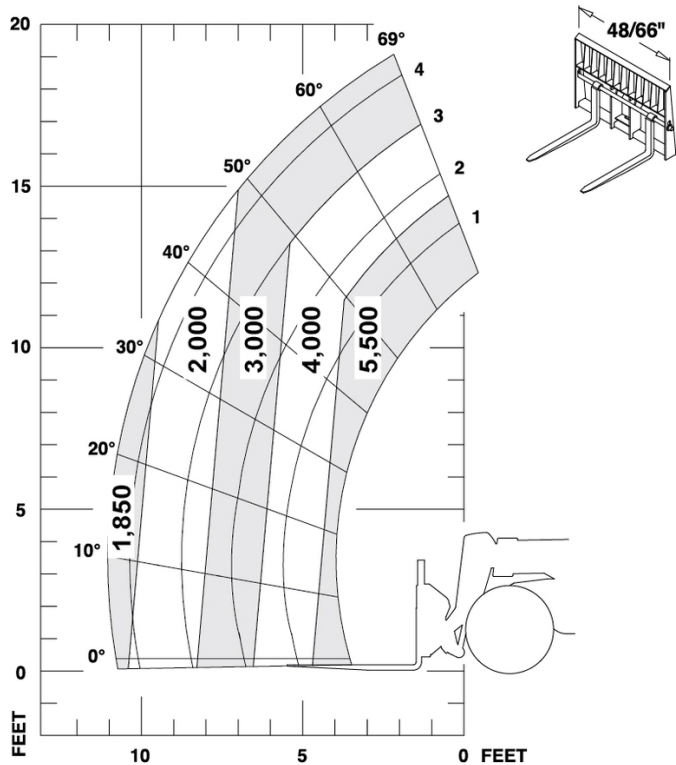
Capacities		Metric
Max. capacity		2495 kg
Max. lifting height		5.80 m
Max. outreach		3.35 m
Weight and dimensions		
Overall length to carriage	l11	3.76 m
Overall length (with forks)	l1	3.76 m
Overall width	b1	1.80 m
Overall height	h17	1.93 m
Wheelbase	y	2.29 m
Ground clearance	m4	266 mm
Overall cab width	b4	711 mm
Tilt-up angle	a4	12 °
Tilt-down angle	a5	100 °
External turning radius	Wa3	3.35 m
Unladen weight (with forks)		4400 kg
Standard tyres		12 x 16.5
Performances		
Lifting		8 s
Lowering		5 s
Extension		7 s
Retraction		6 s
Crowd		4 s
Dump		4 s
Engine		
Engine brand		Yanmar
Engine nom		Tier 4 final
Engine model		4TNV98
Number of cylinders / Capacity of cylinders		4 - 3.32 cm³
Power (kW)		50.70 kW
Max. torque / Engine rotation		235 Nm @ 235 rpm
Transmission		
Transmission type		Hydrostatic
Number of gears (forward / reverse)		2 / 2
Parking brake		SAHR
Service brake		Wet disc brakes
Axle Manufacturer		Dana
Hydraulics		
Hydraulic pump type		Gear pump
Hydraulic flow / Pressure		82.99 l/min / 231 bar
Tank capacities		
Engine oil		9 l
Hydraulic oil		68 l
Fuel tank		64 l
Miscellaneous		
Steering wheels (front / rear)		2 / 2
Drive wheels (front / rear)		2 / 2
Safety cab homologation		ROPS/FOPS
Controls		Single joystick with FNR

### MTA 5519 S3 - Dimensional drawing



# MTA 5519 S3 - Load chart

Machine on tyres with forks - with levelling Metric





**Head Office**

B.P. 249 - 430 rue de l'Aubinière

44150 Ancenis Cedex - France

Tel: +33 (0)2 40 09 10 11 - Fax: +33 (0)2 40 09 10 97

[www.manitou.com](http://www.manitou.com)



This publication provides a description of the configuration versions and options for Manitou products, which may differ for equipment. The equipment presented in this brochure may be part of a series, as an option, or it may not be available, depending on the versions. Manitou reserves the right, at any time and without notice, to amend the specifications described and represented. The specifications provided do not bind the manufacturer. For more details, please contact your Manitou agent. This is not a contractually binding document. The presentation of the products is not contractually binding. List of specifications non-exhaustive. The logos as well as the visual identity of the company are owned by Manitou and cannot be used without authorisation. All rights reserved. The photos and diagrams contained in this brochure are only provided for consultation and information purposes.

MANITOU BF SA - Limited company with board of directors - Share capital: 39,668,399 euros - 857 802 508 RCS Nantes