

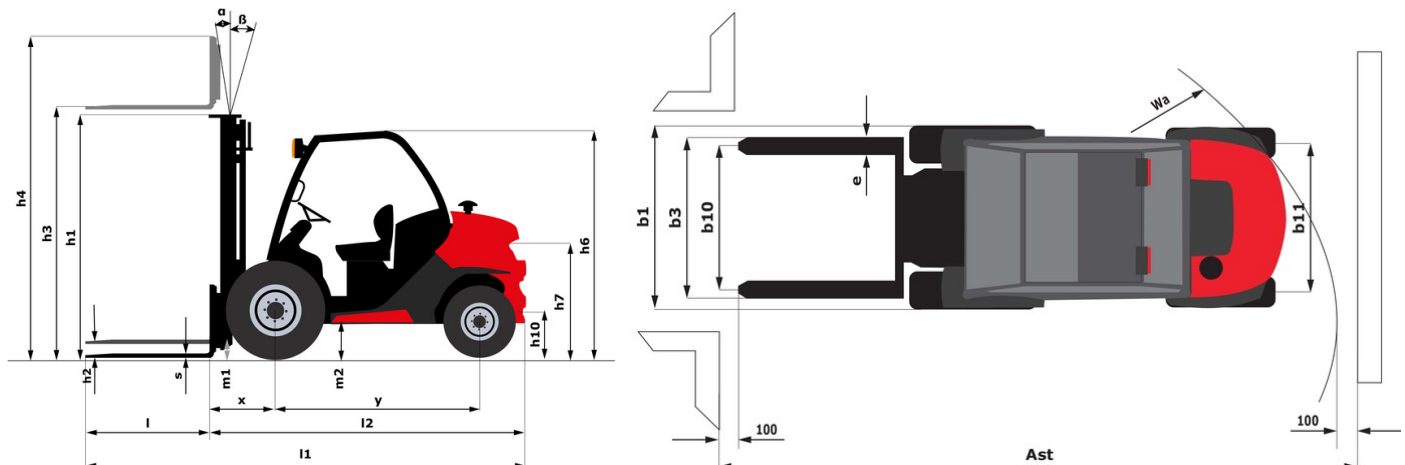
Technical sheet :

# MC 30-4 ST5



Technical characteristics			Metric		
1.1	Manufacturer				Manitou
1.2	Model Name				MC 30-4 ST5
1.3	Power source				Diesel
1.4	Operator type				Sitting
1.5	Max. capacity	Q			3000 kg
1.6	Load centre of gravity	c			500 mm
1.8	Load distance, centre of drive axle to fork	x			626 mm
1.9	Wheelbase	y			1900 mm
Weight					
2.1	Service weight				4440 kg
2.2	Weight on front axle (laden) / rear axle (laden)				6650 kg / 790 kg
Wheels					
3.1	Tyres type				Pneumatic
3.2	Dimensions of front wheels				12,5/80-18/12 SL R4
3.3	Dimensions of rear wheels				27x10-12 SKS
3.5	Number of front wheels / rear wheels				2 / 2
3.5.2	Number of drive wheels				4
3.6	Front wheel gauge	b10			1159 mm
3.7	Rear wheel gauge	b11			1176 mm
Dimensions					
4.1	Tilt of Mast Forward (deg) / Backward (deg)	$\alpha / \beta$			12 / 10
4.7	Height of overhead guard (cabin) / Overall height of low overhead guard (Buggie version)	$h6 / h6^*$			2155 mm / 1990 mm
4.8	Seat height/stand height	h7			1094 mm
4.19	Overall length	l1			4235 mm
4.20	Length to face of forks	l2			3085 mm
4.21	Overall width	b1			1450 mm
4.22	Forks section x width x length	s / e / l			45 mm x 100 mm / 1200 mm
4.23	Fork carriage ISO 2328 (class/form) A/B				FEM 3A
4.31	Ground clearance below mast	m1			300 mm
4.32	Ground clearance at centre of wheelbase	m2			310 mm
4.33	Aisle width for 1000 x 1200 pallet widthways	Ast			5461 mm
Performances					
5.1	Travel speed (laden / unladen)				12 km/h / 24.50 km/h
5.2	Lifting speed (laden / unladen)				0.47 m/s / 0.46 m/s
5.3	Lowering speed (laden / unladen)				0.50 m/s / 0.30 m/s
5.5	Drawbar pull (Laden)				3100 daN
5.7	Gradeability (laden)				46 %
5.10	Service brake				Hydraulic brakes by loss of pressure
Engine					
7.1	Engine brand / model / norm				Kubota / D1803 CRT E5B / Stage V
7.2	Engine power according to ISO 1585				37 kW
7.3	Rated speed				2700 rpm
7.4	Number of cylinders / Capacity of cylinders				3 - 1826 cm <sup>3</sup>
Miscellaneous					
8.1	Type of drive control				Electronic
8.3	Oil flow rate for attachments				42 l/min
8.4	Sound level at the driver's ear according to DIN 12 053				79 dB

### MC 30-4 ST5 - Dimensional drawing

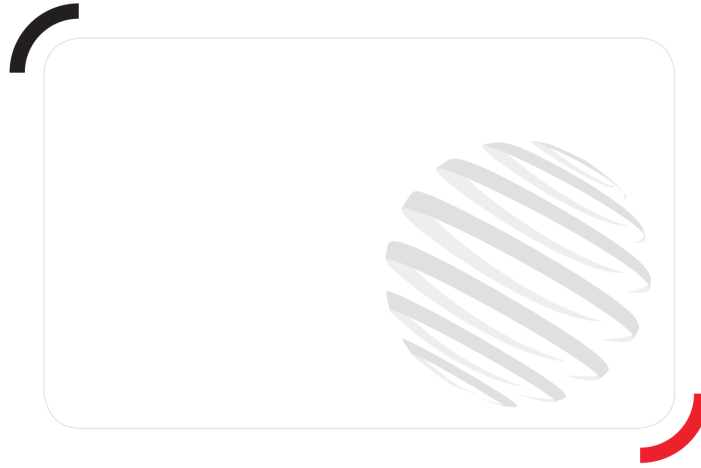


## Characteristics of masts and residual capacities

Duplex with total visibility		FVD 33	FVD 37	FVD 45
h2 - Free lift	mm	117	117	117
h1 - Height mast lowered *	mm	2338	2598	3038
h3 - Lifting Height	mm	3300	3700	4500
h4 - Height mast extended *	mm	4090	4490	5290
$\alpha / \beta$ - Mast inclination (front / rear)	°	12 / 10	12 / 10	12 / 10
Residual capacity without attachment (Industrial load chart)	kg	1400	1400	500
Residual capacity with hooked-on side shift (Industrial load chart)	kg	1400	1400	500
Height at max capacity	mm	2700	2700	2800
Height at max capacity with hooked-on sideshift	mm	2700	2700	2800

Free lift triplex		FLT 34	FLT 37	FLT 40	FLT 43	FLT 47	FLT 55
h2 - Free lift	mm	1235	1335	1435	1585	1685	2035
h1 - Height mast lowered *	mm	1988	2088	2188	2338	2438	2788
h3 - Lifting Height	mm	3400	3700	4000	4300	4700	5500
h4 - Height mast extended *	mm	4236	4536	4836	5136	5536	6336
$\alpha / \beta$ - Mast inclination (front / rear)	°	12 / 10	12 / 10	12 / 10	12 / 10	12 / 10	6 / 6
Residual capacity without attachment (Industrial load chart)	kg	1900	1500	1300	1400	430	500
Residual capacity with hooked-on side shift (Industrial load chart)	kg	1800	1500	1250		400	400
Height at max capacity	mm	2700	2600	2700	3100	2700	2500
Height at max capacity with hooked-on sideshift	mm	2700	2600	2700		2700	2500

Triplex with total visibility		FVT 33
h2 - Free lift	mm	129
h1 - Height mast lowered *	mm	1878
h3 - Lifting Height	mm	3300
h4 - Height mast extended *	mm	4079
$\alpha / \beta$ - Mast inclination (front / rear)	°	12 / 10



**Head Office**

B.P. 249 - 430 rue de l'Aubinière

44150 Ancenis Cedex - France

Tel: +33 (0)2 40 09 10 11 - Fax: +33 (0)2 40 09 10 97

[www.manitou.com](http://www.manitou.com)



This publication provides a description of the configuration versions and options for Manitou products, which may differ for equipment. The equipment presented in this brochure may be part of a series, as an option, or it may not be available, depending on the versions. Manitou reserves the right, at any time and without notice, to amend the specifications described and represented. The specifications provided do not bind the manufacturer. For more details, please contact your Manitou agent. This is not a contractually binding document. The presentation of the products is not contractually binding. List of specifications non-exhaustive. The logos as well as the visual identity of the company are owned by Manitou and cannot be used without authorisation. All rights reserved. The photos and diagrams contained in this brochure are only provided for consultation and information purposes.

MANITOU BF SA - Limited company with board of directors - Share capital: 39,668,399 euros - 857 802 508 RCS Nantes