

XT Series GrainCarts
DXR Series GrainCarts

GRAINCARTS



Brandt

XT SERIES GRAINCARTS

All Brandt GrainCarts are available in optional green or red finish.



Overdeliver.

Brandt XT GrainCarts are purpose-built for easy visibility and positioning while delivering a thorough cleanout to help you run a more efficient farm.

Eyes on the Prize

The XT-series delivers unmatched forward auger reach, side auger reach, and discharge spout clearance. With this extra reach and clearance, you can count on clear forward visibility from the tractor cab to the four-direction discharge spout. This allows you to work more comfortably while reducing fatigue, so you can be more productive for longer periods of time. Plus, the superior side reach and clearance make positioning fast and easy, further increasing your productivity.

Clear Advantage

We designed these GrainCarts to minimize the risk of damage during operation, protecting your equipment and lowering your operating costs. The low-profile tank and tarp design reduce the height of the cart, lowering the risk of interfering with the combine auger's spout while loading on the go. And, the additional clearance between the cart and the combine auger makes them safer to use on uneven terrain.

Unrivalled Cleanout

The tanks are specially engineered to save you time when switching crops. They utilize

TECHNICAL SPECIFICATIONS



UP
TO **600** ^{BU}/_{MIN}



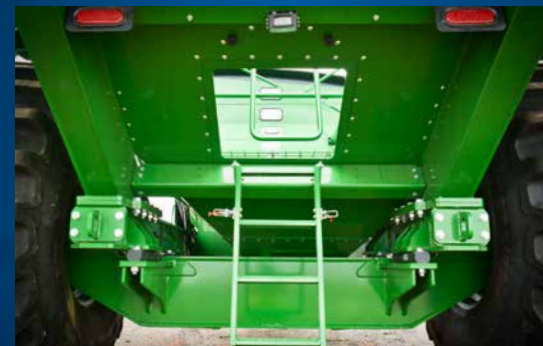
UP
TO **1,500** BUSHEL
CAPACITY



8'3" FORWARD REACH
FROM HITCH



Auger Forward Reach



Ground Level Access Door

a sloped interior that eliminates the ledges and catch-points common on competitors' carts, ensuring a thorough cleanout, every single time. And, their ground-level access doors allow you to safely and easily enter the tank for maintenance rather than climbing the ladder. Together, these features minimize downtime so you can make the most of the short harvest season.

Lasting Performance

You can count on these durable machines to deliver maximum uptime when you need it most. The dependable straight-auger design and half-inch-thick flighting increase the reliability and performance of the auger. And, Brandt's protective paint system keeps these GrainCarts looking better and lasting longer, even when handling the harshest grains.

5-POINT LOAD CELL
SYSTEM DISPLAYS

DigiStar GT Monitors
Agrimatics Libra Cart

UNDERCARRIAGE OPTIONS

820XT / 1020XT / 1120XT

Adjustable Axle
IF900/60R32 Tires
IF1250/50R32 Tires
36" x 130" or 150" Tracks

1320XT / 1520XT

IF1250/50R32 Tires
36" x 150" or 170" Tracks

ADDITIONAL OPTIONS

Joystick control kit
Auto-locking auger fold valve
LED flowgate position indicator
Fire suppression kit
Hydraulic jack stand
Front-mount tank viewing ladder
Electric Tarp
Auto Unload

DXR SERIES GRAINCARTS



More of a good thing.

Brandt's new DXR series Dual Auger GrainCarts are for farmers that demand more. Available in sizes up to 2,000 bushels and moving up to 800 bu/min these GrainCarts are built to keep up with the rigorous demands of a fast paced harvest.

Quick and Easy Data Management

Capturing load data has never been easier with the upgraded GT560 GrainCart Scale featuring AutoLog 2. This scale is a simple solution for measuring grain weight from tank to tank, truckload to truckload or even field to field. Equip the optional Wi-Fi module to control the scale from your tablet or smartphone. For even more data management add on the GPS module to automatically track load and unload locations and the integrated moisture sensor for automatic calculation of dry bushels using DigiStar Harvest Tracker software.

Consistent Hauling Weights

The available Auto Unload system automatically stops the flow of grain when a preset amount of grain has been unloaded, ensuring your trucks are consistently loaded to the correct weight.

Quick Turnaround

Ensure your combines never sit waiting again with a Brandt DXR GrainCart. With a large 20" drag auger feeding into a 22" vertical auger Brandt DXR GrainCarts move up to 800 bu/min getting you back to the combines as quickly as possible.

TECHNICAL SPECIFICATIONS

800^{BU}/_{MIN}UP TO **2,000** BUSHEL CAPACITY**91°** ADJUSTABLE DISCHARGE TRAVEL

Joystick Controlled Hydraulics



3-Axis Auger

Precision Auger Control

All Brandt DXR GrainCarts feature electronic joystick controls so you can precisely control the auger using only four hydraulic lines. The 3-axis vertical auger can be positioned perfectly when filling trucks, reaching out as far as 9'3" or as high as 16'6". When folding up the auger it can be stored in either field mode for quick unfolding, or transport mode to make the GrainCart easier to move from field to field.

In-Cab Monitoring

Using the optional camera kit you can see better without ever leaving the tractor cab. Cameras can be placed on the rear of the cart to make backing up safer, in the tank of the cart to keep an eye on the grain level, or on the auger to make lining up the auger a breeze.

UNDERCARRIAGE OPTIONS

1122DXR

LSW1100/45R46 Tires**IF1250/50R32 Tires****36" x 136" Tracks**

1522DXR

Steerable Tandem Tires**900/60R32 Tires****36" x 147" Tracks**

2022DXR

Steerable Tandem Tires**IF900/60R32 Tires****36" x 170" Tracks**

ADDITIONAL OPTIONS

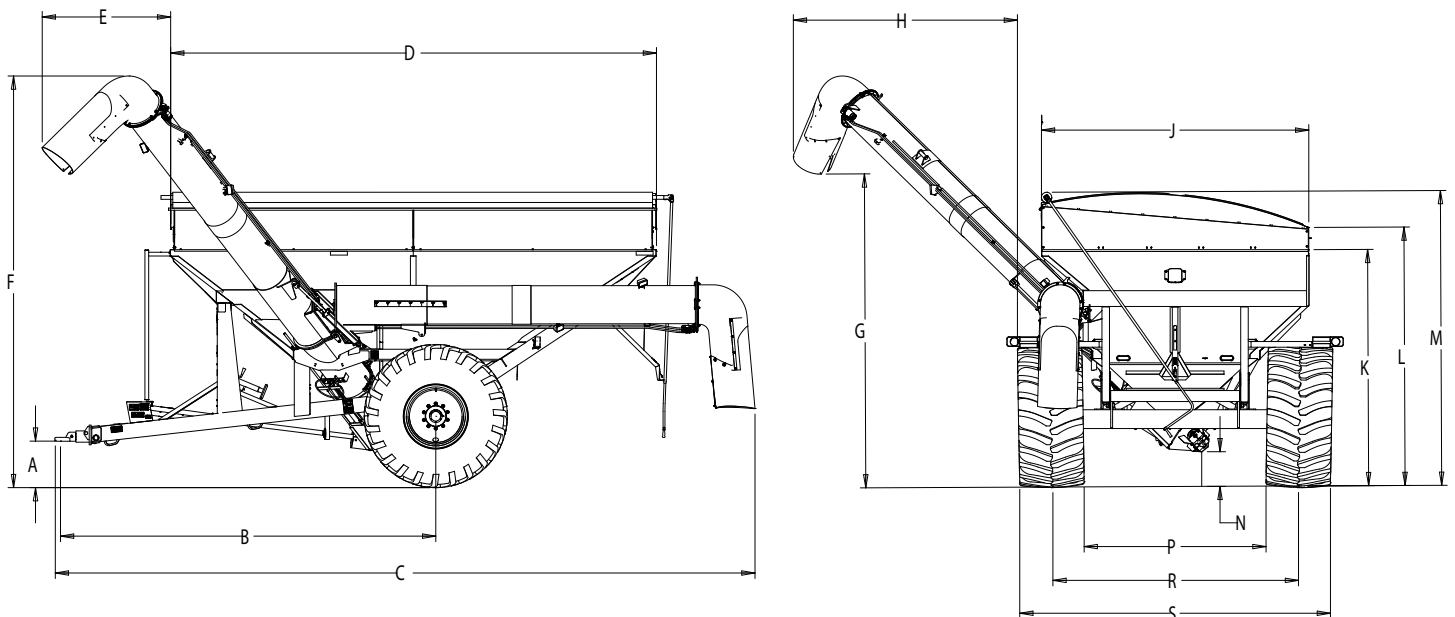
Hydraulic Brakes**Electric Tarp****Camera Kit****Enhanced Lighting Kit**

SCALE OPTIONS

Digistar GT400 Indicator**Digistar GT560 Harvest Tracker****Digistar GT465 ISOBUS Harvest Tracker****Wi-Fi Module** (GT560 only)**GPS Module** (GT560 only)**Moisture Sensor** (GT560 only)**Ram Mount****Downloader Kit****Printer**

GrainCarts	820XT		1020XT		1120XT		1320XT		1520XT	
Performance										
Capacity ¹ (bushels)	850		1,000		1,100		1,300		1,500	
Unload Speed (bu/min)	600		600		600		600		600	
Minimum Horsepower	200		200		200		250		300	
General										
Auger Size	20"		20"		20"		20"		20"	
Flighting	1/2" Extended Life		1/2" Extended Life		1/2" Extended Life		1/2" Extended Life		1/2" Extended Life	
Discharge Travel	Side to Side 136°, Fwd/Bkwd 37°		Side to Side 136°, Fwd/Bkwd 37°		Side to Side 136°, Fwd/Bkwd 37°		Side to Side 136°, Fwd/Bkwd 37°		Side to Side 136°, Fwd/Bkwd 37°	
Undercarriage										
	Tires	Tracks	Tires	Tracks	Tires	Tracks	Tires	Tracks	Tires	Tracks
Tire/Track size	IF900/60R32	36" x 130"	IF900/60R32	36" x 130"	IF900/60R32	36" x 150"	IF1250/50R32	36" x 150"	IF1250/50R32	36" x 170"
Tire Load Index	188	n/a	188	n/a	188	n/a	201	n/a	201	n/a
Axle Spindle Diameter	4.5"	5.5"	4.5"	5.5"	4.5"	5.5"	5.5"	5.5"	5.5"	5.5"
Loaded Surface Ground Pressure (psi)	44	10.3	49	11.4	53	10.3	34	12.4	39	11.8
Weight										
Empty	15,556lb	21,628lb	15,706lb	21,778lb	15,868lb	26,056lb	19,400lb	33,950lb	19,500lb	36,100lb
Tongue - Empty	2,300lb	2,300lb	2,300lb	2,300lb	2,300lb	2,300lb	2,500lb	2,500lb	2,500lb	2,500lb
Tongue - Full	5,300lb	5,300lb	6,600lb	6,600lb	7,000lb	7,000lb	7,000lb	7,000lb	7,250lb	7,250lb
Dimensions										
A - Hitch Height	1' 6"	1' 6"	1' 6"	1' 6"	1' 6"	1' 6"	1' 6"	1' 6"	1' 6"	1' 6"
B - Axle to Tongue Length	18'	18'	18'	18'	18'	18'	18'	18'	18'	18'
C - Overall Length	31' 9"	31' 9"	31' 9"	31' 9"	31' 9"	31' 9"	32' 4"	32' 4"	32' 4"	32' 4"
D - Hopper Length	23'	23'	23'	23'	23'	23'	27' 1"	27' 1"	27' 1"	27' 1"
E - Auger Forward Reach	8' 3"	8' 3"	8' 3"	8' 3"	8' 3"	8' 3"	8' 3"	8' 3"	8' 3"	8' 3"
F - Auger Unload Height	18' 3"	18' 3"	18' 3"	18' 3"	18' 3"	18' 3"	18' 3"	18' 3"	18' 3"	18' 3"
G - Discharge Height	13' 2"	13' 2"	13' 2"	13' 2"	13' 2"	13' 2"	13' 2"	13' 2"	13' 2"	13' 2"
H - Auger Reach	15' 8"	15' 8"	15' 8"	15' 8"	15' 8"	15' 8"	15' 8"	15' 8"	15' 8"	15' 8"
J - Overall Width	9' 6"	9' 6"	12' 1.5"	12' 1.5"	12' 1.5"	12' 1.5"	12' 9"	12' 9"	12' 9"	12' 9"
K - Minimum Hopper Height	11'	11'	10' 10"	10' 10"	11' 3.5"	11' 3.5"	11' 1"	11' 1"	11' 8"	11' 8"
L - Loading Side Height	11'	11'	10' 10"	10' 10"	11' 3.5"	11' 3.5"	11' 1"	11' 1"	11' 8"	11' 8"
M - Transport Height	12'	12'	12' 5"	12' 5"	12' 10.5"	12' 10.5"	12' 6"	12' 6"	13' 1"	13' 1"
N - Ground Clearance	1' 5"	1' 5"	1' 5"	1' 5"	1' 5"	1' 5"	1' 5"	1' 5"	1' 5"	1' 5"
P - Wheel Inside Width	7'1.5" - 9'9.5"	7' - 9'8"	7'1.5" - 9'9.5"	7' - 9'8"	7'1.5" - 9'9.5"	7' - 9'8"	7'1"	7'	7'1"	7'
R - Wheel Track Width	10' - 12'8"	10' - 12'8"	10' - 12'8"	10' - 12'8"	10' - 12'8"	10' - 12'8"	11'3"	10'	11'3"	10'
S - Wheel Outside Width	12'10" - 15' 6"	13' - 15'8"	12'10" - 15' 6"	13' - 15'8"	12'10" - 15' 6"	13' - 15'8"	15' 6"	13'	15' 6"	13'

GrainCart Dimensions



1 Bushel capacities measured with 56 lb. corn at 15% moisture.

Product specifications and configuration are subject to change without prior notice. Before ordering, please ask your Brandt dealer for the latest information. The manufacturer reserves the right to make changes at any time, without notice, to prices, specification and models.

GrainCarts	1122DXR			1522DXR		2022DXR	
Performance							
Capacity ¹ (bushels)	1,150			1,500		2,000	
Unload Speed (bu/min)	800			800		800	
Minimum Horsepower	225+			300+		400+	
General							
Auger Size	20" Horiz. into 22" Vert.			20" Horiz. into 22" Vert.		20" Horiz. into 22" Vert.	
Flighting	1/2" Extended Life			1/2" Extended Life		1/2" Extended Life	
Discharge Travel	91°			91°		91°	
Undercarriage							
	High Flotation	Extreme Flotation	Tracks	Tandem	Tracks	Tandem	Tracks
Tire/Track size	LSW1100/45R46	IF1250/50R32	36" x 136"	900/60R32	36" x 147"	IF900/60R32	36" x 170"
Tire Load Index	195	201	n/a	185	n/a	188-A8	n/a
Axle Spindle Diameter	5.5"	5.5"	5.5"	3.75"	5.5"	4.5"	5.5"
Loaded Surface Ground Pressure (psi)	37	33	13	47	14	41	15
Weight							
Empty	19,500lb	20,000lb	29,500lb	29,000lb	31,500lb	30,780lb	33,700lb
Tongue - Empty	3,600lb	3,600lb	3,600lb	3,900lb	3,900lb	4,340lb	4,340lb
Tongue - Full	5,200lb	5,200lb	5,200lb	5,700lb	5,700lb	5,175lb	5,175lb
Dimensions							
A - Hitch Height	1'4" - 1'9"	1'4" - 1'9"	1'4" - 1'9"	1'4" - 1'9"	1'4" - 1'9"	1'4" - 1'9"	1'4" - 1'9"
B - Axle to Tongue Length	18' 3"	18' 3"	18' 3"	21'	21'	22' 4"	22' 4"
C - Overall Length	27' 7"	27' 7"	27' 7"	33'	33'	36'	36'
D - Hopper Length	18' 4"	18' 4"	18' 4"	24'	24'	27' 5"	27' 5"
E - Auger Forward Reach	n/a	n/a	n/a	n/a	n/a	n/a	n/a
F - Auger Unload Height	n/a	n/a	n/a	n/a	n/a	n/a	n/a
G - Discharge Height	9'10" - 16'11"	9'7" - 16'8"	9'5" - 16'6"	9'5" - 16'6"	9'5" - 16'6"	9'9" - 16'10"	9'9" - 16'10"
H - Auger Reach	5'3" - 9'3"	5'5" - 9'5"	5'3" - 9'3"	5'3" - 9'3"	5'3" - 9'3"	5'3" - 9'3"	5'3" - 9'3"
J - Overall Width	13' 2"	13' 5"	12' 9"	12' 9"	12' 9"	13' 11"	13' 11"
K - Min. Hopper Height	11' 5"	11' 2"	11'	11'	11'	11' 6"	11' 6"
L - Loading Side Height	11' 5"	11' 2"	11'	11'	11'	11' 6"	11' 6"
M - Transport Height	12' 11"	12' 8"	12' 6"	12' 6"	12' 6"	12' 6"	12' 6"
N - Ground Clearance	1' 6"	1' 2"	1' 2"	10"	1' 2"	1' 2"	1' 2"
P - Wheel Inside Width	5' 11"	5' 5"	6' 2"	7' 6"	6' 2"	7' 5"	6' 10"
R - Wheel Track Width	9' 6"	9' 6"	9' 2"	10' 5"	9' 2"	10' 6"	9' 10"
S - Wheel Outside Width	13' 2"	13' 8"	12' 2"	13' 3"	12' 2"	13' 7"	12' 10"

Contact us for more information
or to arrange a demonstration

Brandt Agricultural Products Ltd

Canada

13th Ave and Pinkie Rd
Regina, Saskatchewan
Canada S4P 3A1

USA

19500 N., 1425 East Rd
Hudson, Illinois
USA 61748

Toll: 1-866-427-2638

Phone: 1-306-525-1314

Email: agriculture@brandt.ca

Website: brandt.ca

Visit brandt.ca for a list of local Brandt equipment dealers.



About Brandt Group of Companies

Brandt manufactures premium grain-handling equipment for progressive farmers focused on solid, proven value. Our legendary dependability, capacity, speed, and overall cost-efficiency have made Brandt the choice for discerning farmers for more than 80 years, across 20 countries worldwide. Brandt Agricultural Products Ltd. is part of the Brandt Group of Companies, with diverse operations that serve the agriculture, construction, forestry, rail, mining, tube & pipe, and positioning technology sectors. Brandt also develops and manages commercial real estate, and operates the world's largest privately held John Deere construction & forestry dealer group. For more information about Brandt, visit brandt.ca.