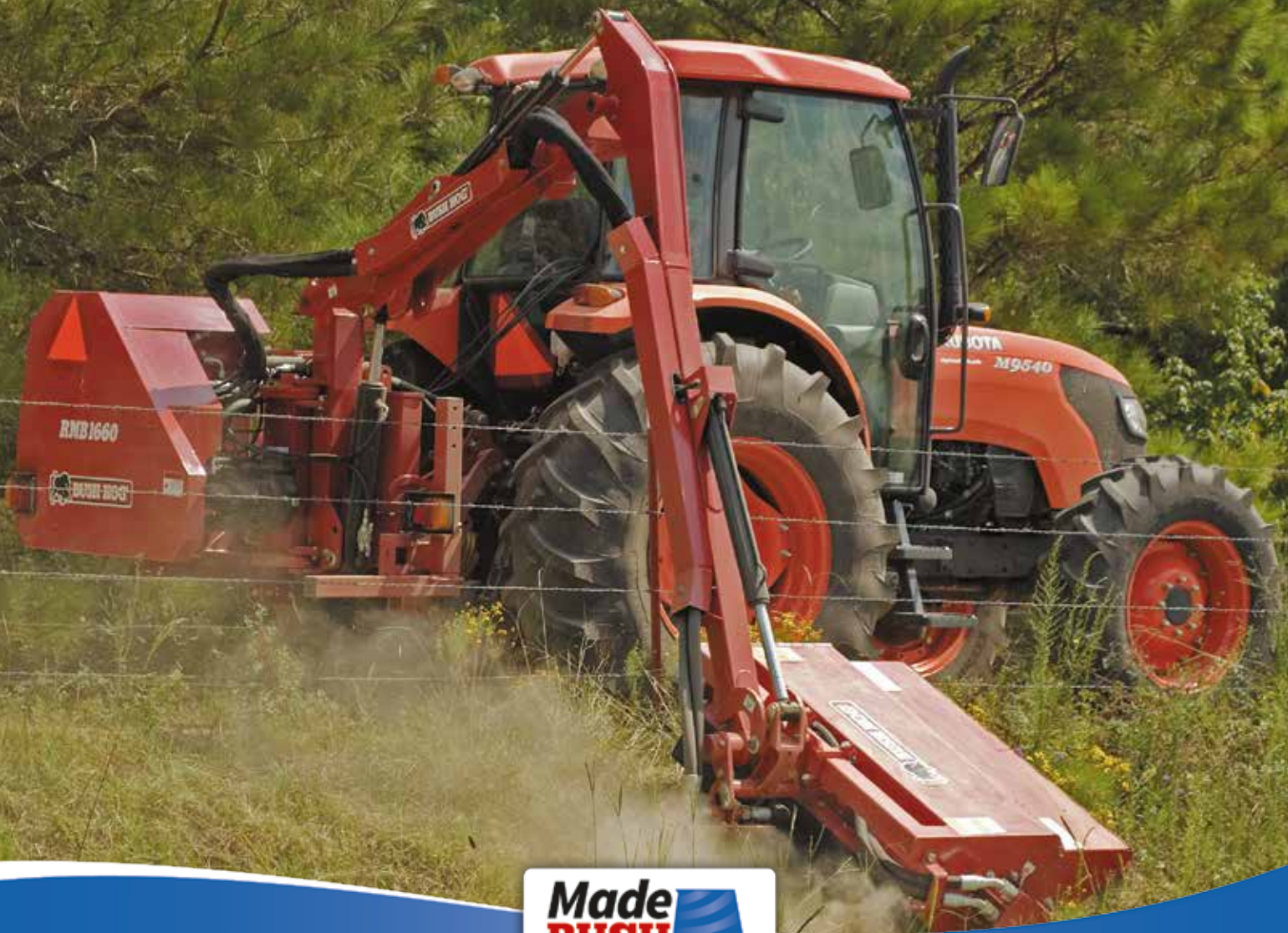




BUSH HOG®

Performance You Can Count On™

BOOM MOWERS



PT5 & RMB SERIES

REAR MOUNTED BOOM MOWERS



Extend your reach and productivity!

The ultimate in versatility, Bush Hog®'s rugged tractor-mounted boom mowers are designed to trim trees, brush, or hedges and mow behind guardrails, over fences, down embankments, and around ponds. With four models reaching 11 to 18-feet from the tractor centerline, there's almost no limit to what you can accomplish. They're easy to operate and built to provide years of dependable service.

Bush Hog®'s Boom Mowers Take Cutting to New Heights.

Our dependable, rugged boom mowers are a valuable management tool for towns, cities, farmers, and landowners with acreage.

Four models cover a wide range of applications and tractor sizes.

(RMB models to be used on tractors equipped with cabs only, and for rotary mower heads, protective screen material must be installed.)



REAR MOUNTED BOOM MOWERS



PT5-2

The unique PT5 is powered by the tractor's hydraulic system, requiring only 3.7 gal/min. flow to operate the unit. A Flow Control Valve Kit comes standard on current models to divert excess hydraulic flow back to the tractor. The PT5 fits tractors as small as 15 HP. Its unique "swing over" design enables the unit to work on either side of the tractor. The PT5 is equipped with a swing arm, sickle bar head to meet the pruning needs of horticulturists and landscapers alike.

Bush Hog® Tough Features

TOUGH Multiple cutting head offerings allow you to fit the RMB Mowers to your particular application. A Rotary Cutter head capable of cutting brush up to 4-inches in diameter is available for use on the larger RMB1660 and RMB1865(E) models. Flail Heads capable of mowing either grass or brush up to 2-inches in diameter, or Sickle Bar Cutters that specialize in trimming hedges and mowing round out the cutting head options.

TOUGH RMB models fit tractors as small as 45 engine HP and weighing a minimum 4,410-lbs.

TOUGH Hydraulic breakaway mechanisms on all RMB models break up and away to allow you to clear most obstacles encountered while mowing.

TOUGH RMB1660 and RMB1865 units offer a Power Slew feature that allows the operator to rotate the cutter 100° to the rear, thereby permitting the cutting out of corners and mowing within the tractor's width.

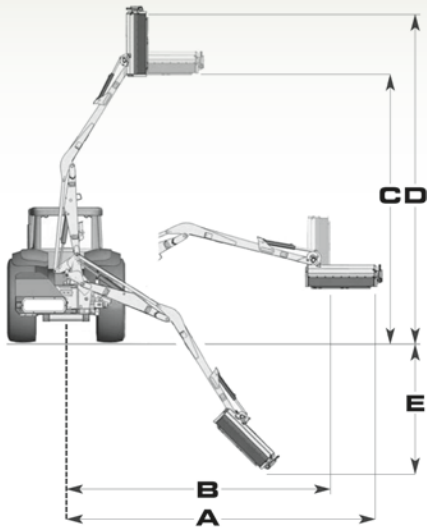
TOUGH easy-to-use cable control valve bank for in-cab operation with an optional electronic proportional valve, joystick, controlled system available on the RMB 1865E Model. **Models now offer quick-detach control cables which permit the operator to leave the controls in the cab when the unit is removed from the tractor.**

All TOUGH flail heads on the RMB models come standard with an adjustable front guard and front flap kit to protect from thrown objects, along with a built-in "wire trap" feature to keep loose wires from becoming entangled in the rotor.

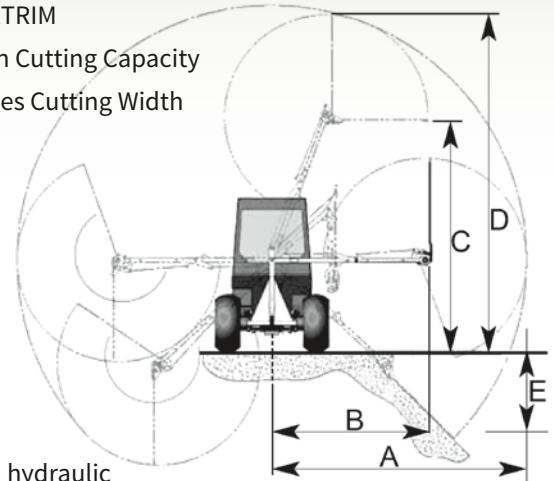
TOUGH RMB models offer optional accessories such as a lift float kit and skid kit on certain models.

RMB1445-1
RMB1660-1
RMB1865-1

(RMB models to be used on tractors equipped with cabs only.)



PT5-2
POWERTRIM
3/4-inch Cutting Capacity
59-inches Cutting Width



All booms equipped with hydraulic or mechanical breakaway.

SPECIFICATIONS

Specifications	RMB1445-1	RMB1660-1	RMB1865-1	PT5 Powertrim-2
Tractor Engine HP/Weight(Min.)	See Head Selection Chart; Varies Based on Head Choice			
Tractor PTO	540	540	540	N/A
Machine Weight w/Flail*	1220-lbs.	2403-lbs.	2470-lbs.	397-lbs.
Hydraulic System	Totally Independent	Totally Independent	Totally Independent	Open Center Hydraulics System Only. Tractor Remote Outlet. 3.7 - 5.6 GPM Flow Range Flow Control Valve Kit Comes Standard on Current Models
Attachment Method	Cat. I/II, 3 Pt. Mount	Cat.II, 3 Pt. Mount	Cat.II, 3 Pt. Mount	Cat.I, 3 Pt. Mount
Controls	Cable Controlled Quick Detach (QD)	Cable Controlled Quick Detach (QD)	Cable Controlled (QD) / XTC Electronic Controls	Cable Controlled
Max Reach, Horizontal (A)	14-feet 1-inch	16-feet 5-inches	18-feet 1-inch	12-feet 4-inches
Max Reach, Vertical (B)	13-feet 2-inches	14-feet 6-inches	16-feet 1-inch	7-feet 2-inches
Max Height, Horizontal (C)	13-feet 5-inches	15-feet-9-inches	17-feet 5-inches	10-feet 6-inches
Max Height, Vertical (D)	13-feet 9-inches	20-feet 8-inches	22-feet 4-inches	16-feet 3-inches
Max Depth, 45° (E)	5-feet 4-inches	7-feet 3-inches	8-feet 2-inches	4-feet 6-inches



All RMB models offer self-contained, fully independent hydraulic systems with twin pumps for optimum cutting performance.

Head Selection Tables

	RMB1445-1	RMB1660-1	RMB1865-1	
FLAIL HEAD	Tractor Engine HP/Weight (Min.)	45 HP/4410-lbs.	60 HP/6614-lbs.	65 HP/7716-lbs.
	Rotor / Knife Type	Super Cut/Universal	Super Cut /F91 Competition or Multi-Cut/ Competition	
	Typical Application	Grass, Light Brush	Hedge Cutting, Grass	Hedge Cutting, Grass
	Cutting Capacity	1-inch Diameter	1 1/2-inch Diameter	2-inches Diameter
	Cutting Width	39-inches	47-inches	47-inches
CUTTER BAR	Tractor Engine HP/Weight (Min.)	45 HP/4410-lbs.	60 HP/6614-lbs.	65 HP/7716-lbs.
	Cutter Type	Sickle Bar	Sickle Bar	Sickle Bar
	Cutting Capacity	1 1/4-inch Diameter	1 1/4-inch Diameter	1 1/4-inch
	Diameter			
ROTARY HEAD	Tractor Engine HP/Weight (Min.)	Not Available for use on RMB1445	85 HP/7614-lbs.	85 HP/8716-lbs.
	Typical Application	N/A	Grass/Brush	Grass/Brush
	Cutting Capacity	N/A	4-inches Diameter	4-inches Diameter
	Cutting Width	N/A	60-inches	60-inches



* For Rotary Head, protective screen material must be installed.

SM60

Built To Last.

SIDE-MOUNTED ROTARY CUTTER



The rotary cutter for those hard to reach places.

Bush Hog®'s SM60 is your ideal choice for mowing and maintaining rights of way, drainage ditches, lake dams, embankments, and sloping terrain. Available in either 540 or 1,000 RPM models, the SM60 features a 5-foot cutting width, and it attaches to your tractor with a Category II standard or Category II & III quick hitch. Expand your mowing potential with the Bush Hog® SM60 Rotary Cutter.

SM60

SIDE-MOUNTED ROTARY CUTTER

The Best Rotary Cutter for Hard-to-Reach Areas

The SM60 operates on any angle from 85° down to 90° up. Its operation is all hydraulic for higher efficiency, with an anti-cavitation device to protect the cutter's hydraulic system. Maximum reach of the cutter head is over 12-feet from the tractor's center line.

The SM60 is ruggedly built. Deck thickness is 10-gauge, with 10-gauge x 8-inches side bands. The deck's strongback bracing offers extra strength when encountering the shock loads of heavy mowing. The cast iron pump is located to avoid damage during operation.

Round bladeholders allow the cutter to "float" over field obstructions and the blades are 1/2 x 4-inches double-edge design. Blade rotation is clockwise, but may be reversed if needed. The gear-type hydraulic pump is PTO driven, with an oil capacity of 35-gal. (shipped factory filled). For increased stability when operating on extremely sloping terrain, a tailwheel and gauge wheel are available as options.

The Bush Hog SM60 Rotary Cutter is an efficient unit that eliminates the need for costly, specialized mowing equipment and provides outstanding cutting performance, year after year.



Automatic adjusting counter weight is standard equipment. Some competitors offer non-adjusting, optional counter weights.

WARNING

For non-agricultural use, OSHA, ASAE, SAE and ANSI require the use of chain guards or other protective guards at all times. Bush Hog strongly recommends the use of such guards for agricultural use as well, to reduce the risk of property damage, serious bodily injury, or even death from objects thrown out by or from contact with the cutting blades.

Built To Last.



Fast attachment to your tractor is achieved with the Cat. II Standard and Cat. II & III Quick Hitch.



Standard equipment includes a convenient parking stand to assist in attaching the SM60 to your tractor. The stand easily pins out of the way during operation.



The optional, adjustable tailwheel provides extra support for the main beam — a real plus when working on rugged terrain.



Standard equipment includes a round blade protection that provides driveline protection by allowing the blades to glide over field obstructions.

SM60

SIDE-MOUNTED ROTARY CUTTER

Bush Hog® Tough Features

- 🐾 **TOUGH all hydraulic** operation
- 🐾 **TOUGH Operates from** 85° down to 90°up
- 🐾 **TOUGH direct drive** to hydraulic pump
- 🐾 **TOUGH strongback braced** to help withstand shock loads
- 🐾 **TOUGH streamlined deck design** to avoid debris and water entrapment
- 🐾 **TOUGH anti-cavitation device** to protect your cutter's hydraulic system
- 🐾 **TOUGH high blade tip speed** for a cleaner cut in all conditions





SPECIFICATIONS

Specification	SM60	Specification	SM60
Cutting Width	60-inches	Cutter Head Movement	90° Up to 85° Down
Transport Width	126-inches	Driveline	ASAE Cat. 4, 540 or 1,000 RPM
Type Hitch	Cat. II Standard, Cat. II & III Quick Hitch	Hydraulic Pump Mounting	Machine only, pto drive
Cutting Capacity	1-inch	Hydraulic Oil Capacity	3-gal., factory filled
Minimum Tractor Weight	6,000-lbs.	Hydraulic Capacity	24 GPM /540 RPM; 19.1 GPM /1,000 RPM
Minimum Tractor Lift Capacity	3200 lbs. 24 inches behind lift pins	Overload Protection	Hydraulic relief valve
Deck Thickness	10-gauge	Counterweight	275-lbs., standard
Blade Holder	Round	Weight	1,675-lbs.
Blade Tip Speed	17,300 FPM / 540 RPM; 18,570 FPM / 1,000 RPM	Maximum Extension of Cutter Head	145-inches from tractor center line
Blade RPM	1101	Extension Arm Travel	31 1/4-inches
Blade Rotation	Shipped clockwise, but reversible	Front and Rear Deflectors	Standard equipment
Type Blades	1/2 x 4-inches, double edge	Options	Side gauge wheel, tailwheel for main frame

Made
BUSH
HOG
TOUGH
in Selma Alabama



2501 Griffin Ave.
Selma, Alabama 36703
Tel: (800) 363-6096
Fax: (334) 874-2701

www.bushhog.com