

INSTRUCTION MANUAL



GC

GRASS CUTTER

CONGRATULATIONS

Dear Owner,

Thank you for buying a SOVEMA manufactured product.

Your new machine is carefully designed and manufactured to give you superior performance and dependable service, if properly operated and maintained.

You will find this machine to be rugged and reliable when matched to the suggested horsepower operating range.

Much time has been invested in providing safety and protection. Please carefully read this manual. It tells you how to safely and easily assemble, operate and maintain your machine.

Be sure that you and any other operator carefully follow the recommended safety practices at all times. Failure to do so could result in personal injury or property damage.

Of course, if you should ever have any problems or questions, please contact your local SOVEMA dealer or contact us at the addresses or numbers indicated in this manual.

SOVEMA manufactures a variety of innovative equipment. If you are interested in reviewing our full line, please contact us.

Thanks for your choice.

Ginettino Mayer
President

TABLE OF CONTENTS

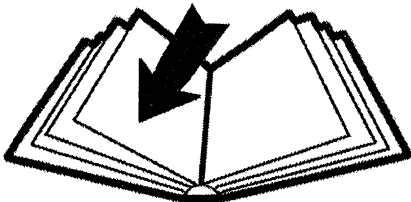
- SYMBOLS	Page 3
- GENERAL INFORMATION	Page 4
- SAFETY AND WARNING DECALS	Page 5
- SAFETY INSTRUCTIONS	Page 7
- MAIN CHECK	Page 10
- TECHNICAL SPECIFICATIONS	Page 11
- ATTACHING THE MACHINE TO THE TRACTOR	Page 12
- CUTTING HEIGHT ADJUSTMENT	Page 16
- BEGINNING WORK	Page 17
- TROUBLE SHOOTING	Page 18
- DISCONNECTING THE MACHINE FROM THE TRACTOR	Page 20
- STORING OF THE MACHINE	Page 21
- MAINTENANCE	Page 22
- TOXICOLOGICAL INFORMATION	Page 25
- SPARE PARTS LIST	Page 27
- WARRANTY POLICY	Page 34
- SOVEMA PRODUCT LINE	Page 38

SYMBOLS

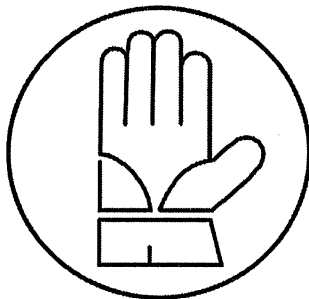
These symbols appear throughout the manual.
Remember their meaning and advice.



**MEANS: CAUTION!
YOUR SAFETY IS INVOLVED**



MEANS: READ CAREFULLY



MEANS: USE PROTECTIVE GLOVES

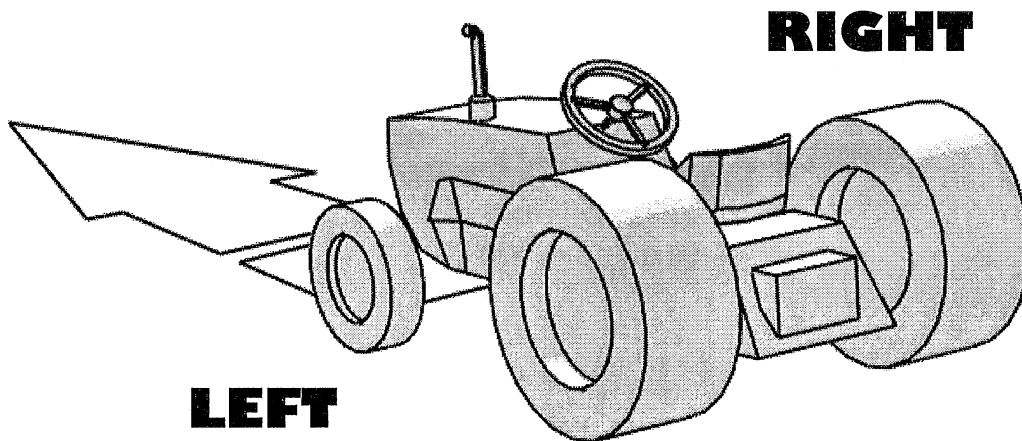
GENERAL INFORMATION



All implements with moving parts are potentially hazardous. The manufacturer has designed the implement to be used with all the safety equipment properly attached. The purpose of this manual is to assist you in safely maintaining and operating the implement.

These instructions have been compiled from our experience. Through this experience and these instructions, you should be able to develop operating procedures suitable to your particular situation.

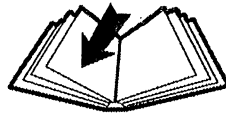
Illustrations and data used in this manual may vary slightly in some details. Throughout this manual references are made in left and right directions. These are determined by standing at the rear of the equipment and facing the direction of forward travel.



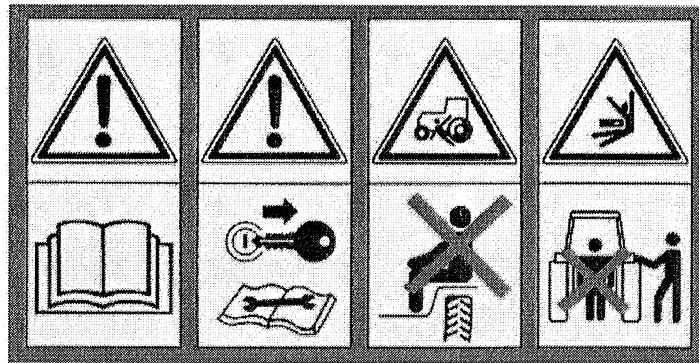
Even if some illustrations in this manual show the machine with safety shields removed for a better view, never operate in these conditions.

BEFORE OPERATING THE IMPLEMENT, ALL SAFETY SHIELDS OR DEVICES MUST BE MOUNTED

SAFETY AND WARNING DECALS



Safety decals on the implement contain important safety warning messages. To prevent injuries we invite the operator to read them carefully and keep them clear. Check that all the decals are on the machine. If not, **DO NOT USE** the machine and report to the Dealer immediately to get the decals. Decals on the machine are the following and mean:



1

2

3

4



1. Before operating the equipment, read carefully the operator's manual.



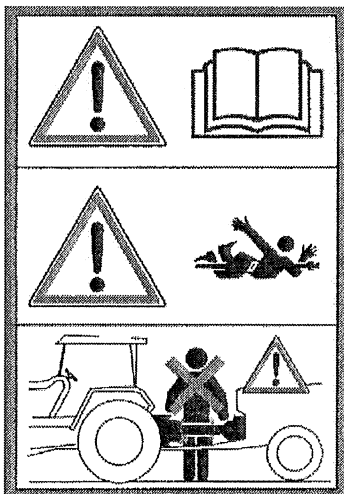
2. Before maintenance operation, lower the implement, shut off the engine and read the operator's manual.



3. Do not allow riders on tractor or implement.



4. Do not stand behind the tractor during the operations.



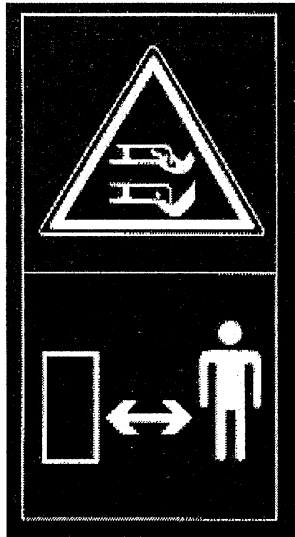
5. Before operating the equipment, read carefully the operator's manual.



6. DANGER! Entanglement of driveline..



7. KEEP AWAY from driveline in operation: contact can cause death!



8



8. Danger. Your hands and feet can be injured by moving parts. Keep away from the implement.



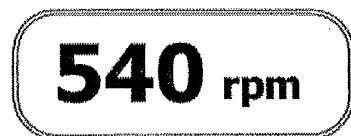
9. Danger. Your feet can be injured. Keep away from the implement.



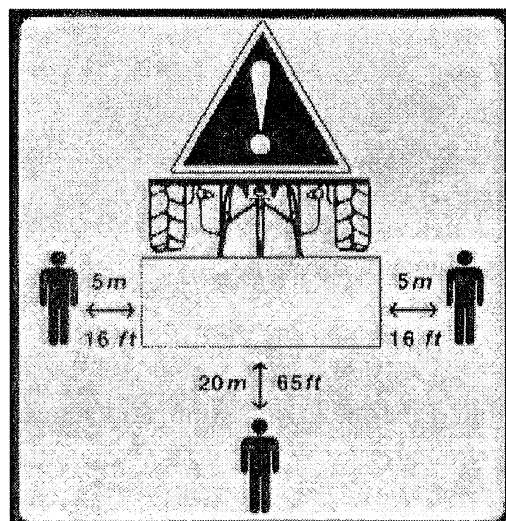
10. Danger. Your hands can be injured. Do not remove safety protection and keep away from moving parts.



11. Danger. Your hands can be injured. Do not remove the cover and keep away from moving parts.



12. The machine is designed for use on tractors with 540 RPM PTO only.



13. Caution! During working operations all bystanders must stay beyond the shown distances from the implement.












SAFETY INSTRUCTIONS



Before using the implement you must be sure to know the main safety precautions; in fact many accidents are caused by not observing these rules.



Pre-operational and operational safety rules

-  Make sure that no person operates this machine unless they first, thoroughly read and studied the operator instructions for this machine and understood all the safety precautions.
-  Keep all guards, shields and safety decals in place and proper working order before operating this machine.
-  Operate only with a tractor equipped with an approved Roll Over Protective System (ROPS) and always wear your seat-belt.
-  Operate only in daylight or good artificial light.
-  Only trained personnel can operate with the tractor and the implement.
-  **Personal protection equipment**, including safety shoes, safety glasses, hard hat and gloves are recommended during the different operations. Do not allow long hair, loose fitting clothing or jewellery to be around moving parts.
-  Do not leave the tractor seat until the engine is completely **turned off, brakes locked and ignition key removed**.
-  Do not allow riders on the machine or tractor at any time. No safe place for any rider.
-  Before starting to operate, be sure that the tractor's PTO is set to match the PTO requirements of the implement. The speed is indicated in this manual and on the implement.
-  Do not use different driveline . Always use type and size supplied by the manufacturer.
-  Make sure driveline spring-activated locking pin operate freely and are seated firmly in tractor PTO stub shaft groove.



For engaging or disengaging the tractor PTO, refer to your tractor manual.



Connect and disconnect PTO shaft only when tractor engine is turned off.



Keep hands, feet, hair and clothing away from moving parts.



To prevent injury by thrown objects DO NOT operate unless all personnel, livestock and pets are 20 m (65 ft) away.



The rotating parts of the machine have been designed and tested for rugged use. However they could fail upon impact with heavy solid objects. Such impact could cause the broken objects to be thrown outward at very high speed. To reduce the possibility of serious injury, or even death, never allow the rotating parts to contact such obstacles.



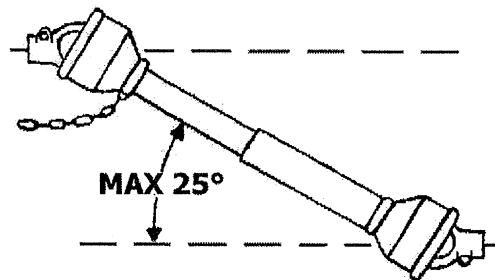
Stop the machine and tractor immediately upon striking an obstruction. Turn engine off, remove key, inspect and repair any damage before resuming operation.



No repairs or adjustments should be attempted while the machine is attached to a tractor that is turned on.



Working inclination of PTO driveline must not exceed 25° (see fig.1). Greater working angles will damage the PTO and serious personal injury could occur as well.



Disengage tractor PTO and place transmission into neutral before attempting to start engine.

Transport safety



Plan your route to avoid heavy traffic.



For public roads, comply with state and local safety and movement rules.



Be sure that the implement is in the raised position for transport.



When you must drive, do not drink.



Pay attention to traffic when operating near or crossing roadways.



Reduce speed when transporting mounted implement to avoid bouncing and loss of steering control.



Pay attention when you turn curves or you go up and down on hills with the implement. Be sure that at least 25% of the tractor's weight is on the front wheels to maintain safe steering. Drive at a low speed.



NEVER allow riders on implement or tractor. Falling off can kill.



Be a safe and courteous driver.

Maintenance safety



Good maintenance is your responsibility. Poor maintenance is an invitation to trouble.

For maintenance follow these common practises:



- keep service area clean;
- use adequate illumination for the job;
- be sure tools and electrical outlets are properly grounded;
- make sure there is plenty of ventilation.



Before making maintenance on this machine, drive to a level area, disengage the PTO, lower the machine, turn off the engine, set the brakes and remove the ignition key.



Keep all persons away from operator control area while performing maintenance.



ALWAYS use personal protection devices.



Periodically tighten all bolts, nuts and screws.



The implement manufacturers assumes no liability if replacement parts other than the original factory parts are used.



After servicing, be sure that all safety shields are re-installed properly.

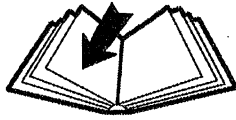


Be sure that all safety decals are installed, clean and in good condition.



If the machine is modified from the original design, no responsibility for the manufacturer can be claimed.

MAIN CHECK LIST



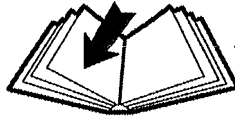
Before connecting the machine to the tractor, read the following instructions:

- Be sure the weight and power of the tractor is correct with the machine you want to connect. If you have any doubt, see the technical specifications.



- Ensure that all safety decals are properly installed and clean.
- Check oil in the gearbox. With low oil, gears get damaged.
- Be sure that all safety shielding is properly installed and in good condition.

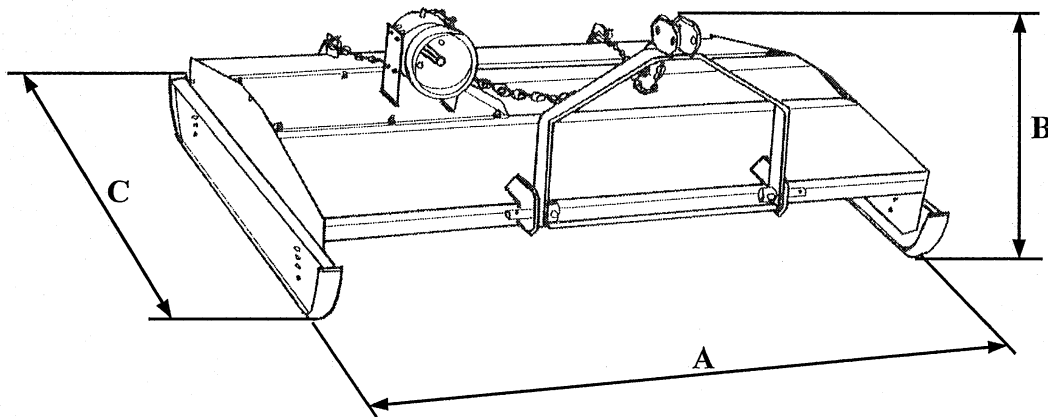
TECHNICAL SPECIFICATIONS



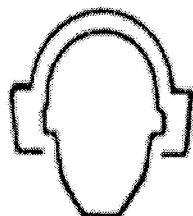
The machine described in this manual is a grass cutter of the **GC series**.

GC SERIES

MOD.	Working width	HP	Pto	knives	Weight	Width -A-	Height -B-	Depth -C-
	cm/inches		(rpm)	(rpm)		Kg./Lbs.	cm/inches	cm/inches
GC 200	200 / 80"	35 - 60	540	1620	399 / 878	210 / 84"	84 / 34"	177 / 71"
GC 220	220 / 88"	40 - 60	540	1620	449 / 988	235 / 94"	84 / 34"	177 / 71"
GC 300	290 / 116"	45 - 70	540	1620	501 / 1102	298 / 119"	84 / 34"	177 / 71"



LEVEL OF NOISE RESULT WHEN IDLING



L_{pa} (A) 84 dB MAX

ATTACHING THE MACHINE TO THE TRACTOR



The machines described in this manual do apply to any kind of tractor provided of universal third hitch point.

The characteristics (length, diameter of the holes for the lifting pins) of the tractor's lifting arms depend on the type of tractor, therefore it is necessary to prepare the machine in order to conclude the attachment correctly.

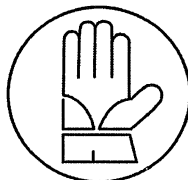
Before attaching the machine to the tractor you must be sure that the engine is turned off, brakes are locked and the ignition key is removed.

This operation must be made on a flat area as it is very dangerous.



Do not allow anyone between tractor and implement when the engine is running.

Follow these instructions:



Connect the hitch of the drawbar to the tractor using a hitch pin and the hair clip pin (see fig. 1)

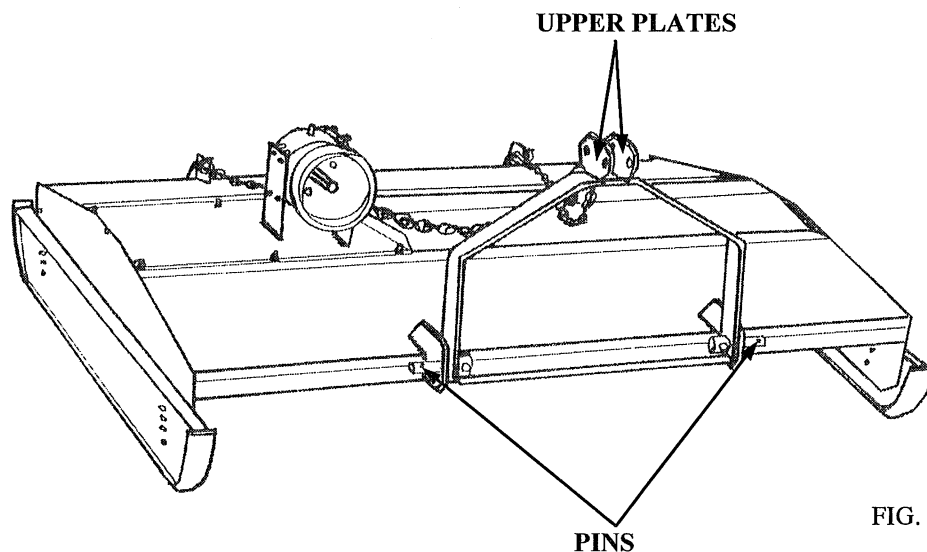
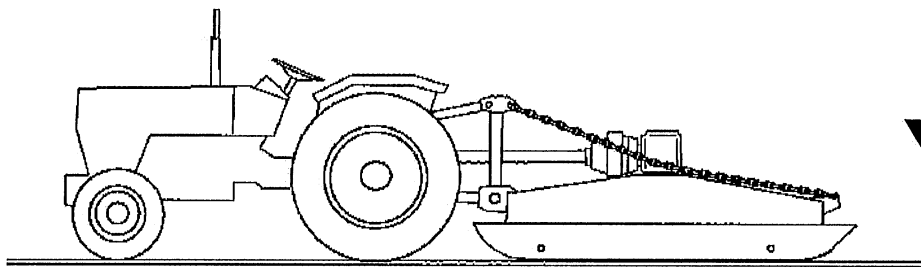


FIG. 1

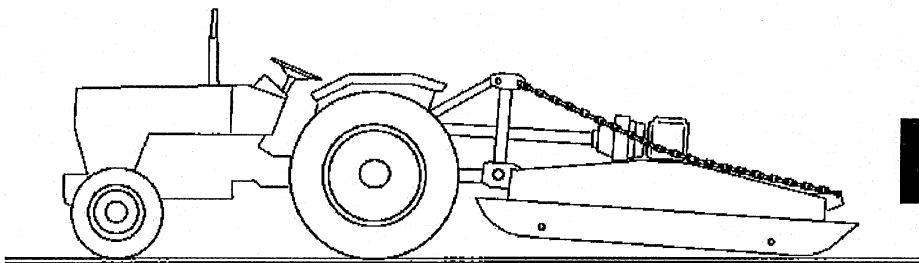


Connect the hitch point of the tractor to the upper plates of the machine using a hitch pin and the hair clip pin (see fig. 1). By means of the tie rod of the hitch point, which permits regulation of the machine's inclination, set the machine even to the ground-floor (see fig. 2). This procedure extends life time of the PTO shaft and the machine.

The two chains with which is equipped the machine let adapt better to the working terrain and therefore protect the frame from possible damage.



YES



NO

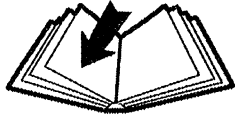
FIG. 2



Connect the PTO shaft and be sure it is correctly connected to the tractor and the machine.

Shortening the PTO shaft

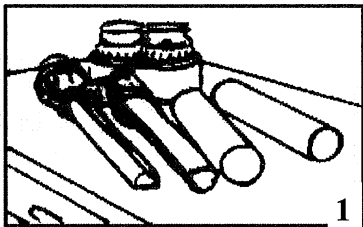
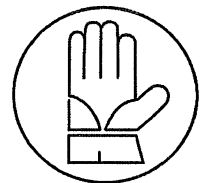
Due to the many different types of tractors, it may be necessary to shorten the PTO shaft.



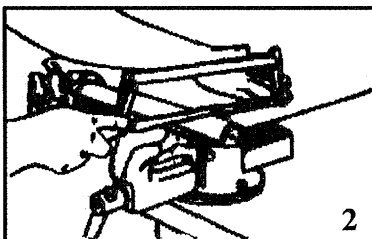
Always refer to the manual of the driveline's manufactures. Read it carefully.



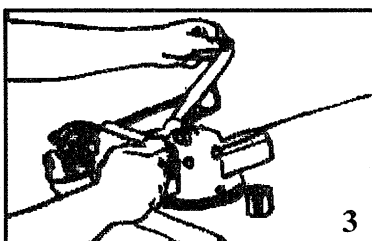
In case shortening is needed, listed below are some basic guidelines on performing this modification. Determine how much length is to be removed, then:



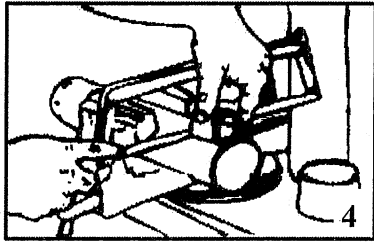
1) Remove plastic protection (both sections)




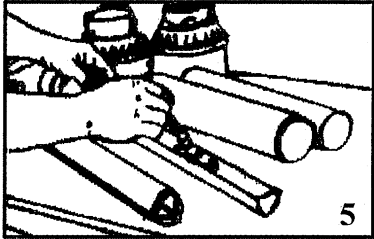
2) Cut the excess length of both tubes




3) Deburr and clean the saw-dust off ends of tubes. Remove packing inside shaft tubing



-  4) Cut the plastic protection to the same length you have cut the joints

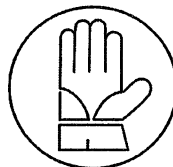
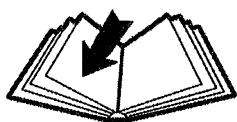


-  5) Grease the male joint section and reassemble protection



Do not use PTO shafts without proper shielding installed.

CUTTING HEIGHT ADJUSTMENT



Adjustment by skid

If your machine is equipped with skids, adjust the two of them as follows (see fig. 1):

- Unscrew the screws “a” which fix the skid to the frame;
- Adjust skid as needed screwing back screws “a” in its respective holes located in the skid itself.

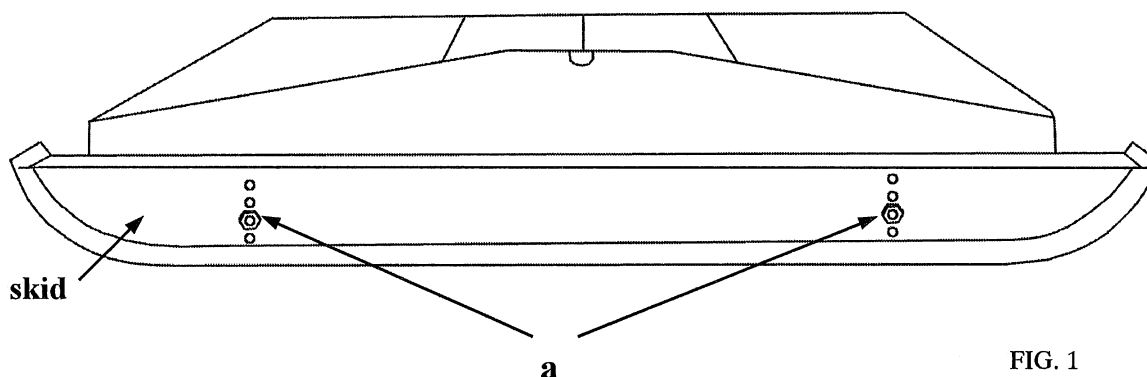
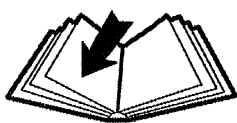


FIG. 1



After adjustment each of the two skids must result parallel to working ground.

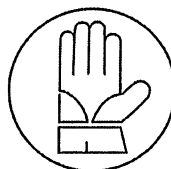
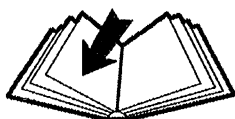


To get on even soil, it is advisable to adjust both skids in the same way.

Adjustment by roller

If your machine is equipped with a rear roller other than the skid, the adjustment is carried out by regulating the skid as explained before (see fig. 1).

BEGINNING WORK



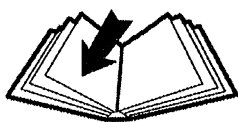
After completing all safety controls, to avoid damage start as follows:

- Raise the machine off the ground in order to let the knives start moving without touching ground.
- Maintaining the machine raised, engage the tractor PTO at suggested engine RPM.
- Start moving the tractor forward and then gradually lower the machine.

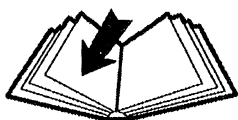
Cutting tips



Proper ground speed for cutting will depend upon the height, type and density of the grass to be cut. However we suggest not to exceed 7 Km/h.



To avoid damage to frame and gearbox as a consequence of impact of the knives with soil or solid objects, it is advisable not to carry out very low cuts.



During work, before making a turn, always raise the machine to avoid damage to the supports of the roller (when equipped with) and to the sides of the frame to which are attached the skids.

TROUBLE SHOOTING



During work several problems can happen:

Unusual noise

While working, if the **machine** made **unusual noise**, the operator must **stop it immediately** and follow next instructions:

- **Check for broken/bent parts.**
- **Check for correct oil level in the gearbox case.**

When present incorrect oil level (see chapter on maintenance), the gears of the gearbox are not lubricated correctly, and if continue to rotate, would determine a significant **increase in oil temperature**. If continue working in this condition **will quickly take to damage gear bearings** with consequent blocking of the PTO shaft.

- **Check condition of the bearings that support the rotor shaft hubs.**

As a result of inadequate lubrication (see chapter on maintenance), it is possible that a bearing of one of the rotor shaft hubs has been damaged. The rotor shaft begins to oscillate causing excessive vibration of the frame, and in short time causing damage of its weldings.

- **Check knives conditions.**

If one of the knives is broken or excessively worn, continuing to rotate in short time takes to damage one of the two bearings (or both) of the shaft in which the knife is fixed. The shaft begins to oscillate producing great vibration, and in short time finishes to damage the weldings of the frame itself.

Cutting defects

After work, if cut doesn't result uniform and clean, follow next instructions:

- **Check knife conditions.**

In case of worn knives, you need to replace them (see chapter on maintenance).

- **Check that cutting height adjustment has been done correctly.**

It is possible that adjustment has not been done in the same way for both skids, or that one of these (after adjustment) does not result parallel to ground.

If after work quality of the cut is not the same as before, you must stop and follow the next instructions:

- **Check the belt's condition, after removing the cover that protects these**

In fact, belt sliding is possible **not letting the knives cut with adequate force**. Belt sliding can be a consequence of lack of tensioning (belt too slow) or wear (see chapter on maintenance).

- **If belts present signs of deterioration (even of small entity), these must be replaced immediately.**
- **If belts are slow, immediate tensioning must be done.**

If after work the cut doesn't present clean, it is possible that the machine's going speed is **not opportunely adequate** to the number of turns and therefore to the cutting speed of the knives. Often happens that speed of the machine doesn't give enough time to the knives for a correct cutting.



Before checking the machine to find the possible cause of malfunctioning, be sure the tractor's PTO is disconnected, tractor's engine turned off, brakes on, key ignition off the command board, and the machine completely lowered to the ground.

DISCONNECTING THE MACHINE FROM THE TRACTOR



Disconnecting of the machine must be carried out on flat area, and it is considered a very dangerous operation. You must pay attention. Follow these instructions:



While remaining in the tractor seat, put the tractor PTO in neutral.



When the rotors are completely stopped, turn off the engine and set the parking brakes.



Remove the ignition key.



Descend from the tractor and disconnect the driveline.



Engage the parking stand.



Disconnect the hitch of the drawbar from the tractor.



Before disconnecting the driveline, be sure the tractor PTO is in neutral and engine is off.

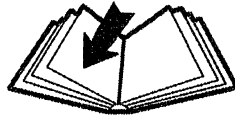
STORING OF THE MACHINE



As your machine is an investment and if remains unused for a long period, we suggest the following procedures:

- Wash and dry the machine;
- Check all moving parts. For excessive wear replace the parts or contact your local dealer;
- Check bolts and nuts for proper tightness;
- For versions equipped with rear roller, grease the lateral supports of the roller itself.
- Lubricate all not-painted parts;
- Store the machine in a clean and dry place under roof.

MAINTENANCE



For long life of your machine and trouble free operation, regular program of maintenance is required.

The recommended phases of maintenance are for normal use and can be varied depending on the different conditions.



Always disengage tractor PTO before starting maintenance.

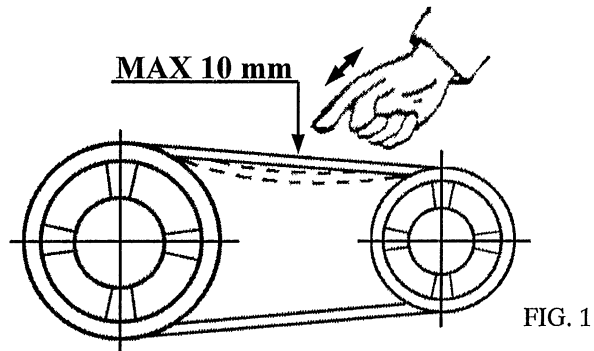


Every 10 working hours

- Check for loose screws that fix the knives;
- Grease the PTO shaft components;
- Clean the end of PTO shaft with non toxic / non inflammable detergent;
- Be sure driveline shields are in place and in good condition;
- Clean the machine.

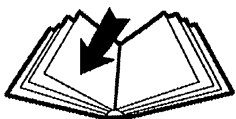
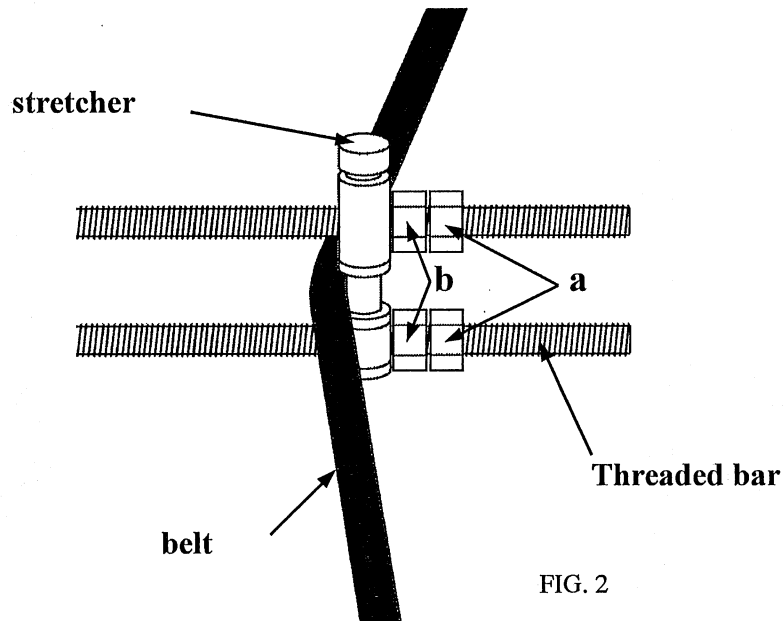
Every 20 working hours

- Check belt tensioning by measuring belt tightness. Correct tightness results when belt deflection along the front side of the belt is 1 cm, as a result of the pressure applied with the index finger to the centre of the belt length (see fig. 1).



In the case belt adjustment was needed, proceed as follows (see fig. 2) for each stretcher:

- Loosen both lock nuts “a”;
- Screw clockwise nuts “b” until the belts are tensioned correctly;
- Adjust back both lock nuts “a” maintaining nuts “b” fixed with a wrench.



Adjust nuts “b” in the same way until, after tensioning, the stretcher results leaned and therefore the respective belt doesn't roll over it

- Be sure knives are sharpen uniformly. If necessary substitution, replace with original knives. The disc with which the knives are fixed to the shaft, is left-sense adjusted.
- Check gearbox correct oil level. To proceed, remove the oil level plug (see fig. 3). If needed to add oil, remove the filler plug located on top of the box, and fill in until oil starts running out of the level hole.

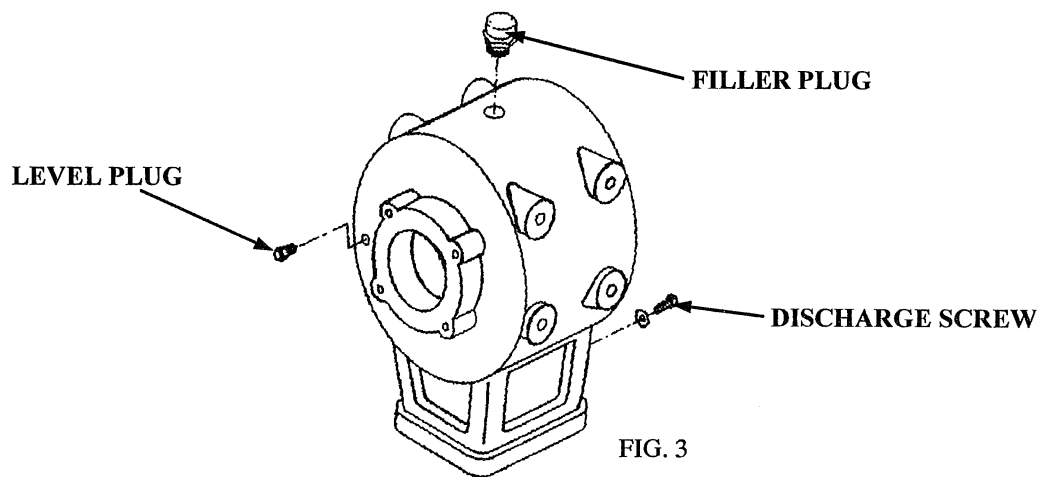


FIG. 3

Every 50 working hours

- For those versions of the machine equipped with rear roller, proceed to grease its lateral supports. Before greasing, clean the grease nipple correctly for better lubrication. Use lithium type grease NLGI2.

First 100 working hours

- When the machine has done its first 100 hours, change the oil from the gearbox. To proceed, remove the plug located under the box, drain all the oil through the discharging hole, then fill in with new oil through the filler hole. This substitution is necessary because the gears are new and so are subject to quicker worn. Use oil SAE 80 W 90 API GL4.

Every 200 working hours

- Replace the belts. Actually this substitution is necessary when belts present cuts or evident worn signs. To proceed with replacement follow these instructions:
 - a) Before replacement check condition of the pulleys and bearings;
 - b) Clean the pulleys from residual material of the old belts;
 - c) Be sure pulleys rotate liberally and firmly;
 - d) Tension belts correctly (see chapter on Trouble Shooting).

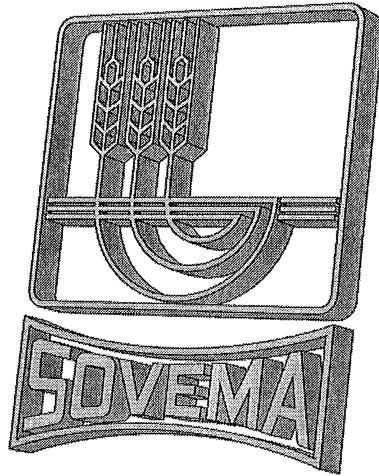
Every 300 working hours

- Completely replace gearbox oil, proceeding as explained before. Use oil SAE 80 W 90 API GL4.

TOXICOLOGICAL INFORMATION ABOUT LUBRICANTS



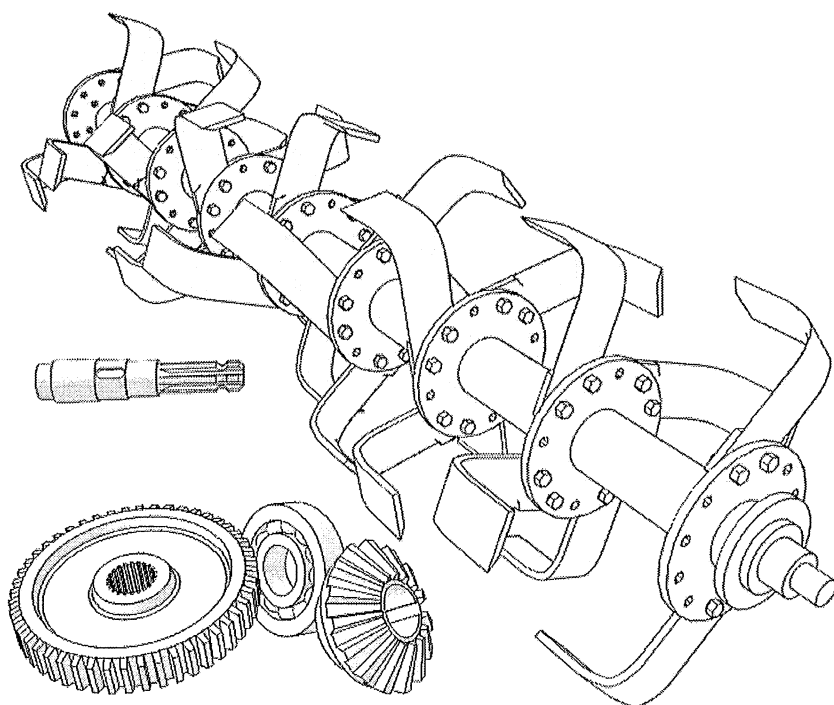
	TYPES OF DANGER	PROTECTIVE EQUIPMENT	PRIMARY INTERVENTION
SKIN	Possible irritation after prolonged contact	Gloves and/or lotion barrier	Wash with soap & water
EYES	Possible irritation on contact	Protective goggles	Rinse thoroughly w/ running water
INHALATION	Possible irritation after prolonged exposure	Maintain an oil mist level of 5mg/m ³ between TLV-TWA limits	Expose to fresh air and call medical assistance immediately
INGESTION	Such possibility not considered		DO NOT provoke vomiting; call medical assistance immediately



**USE EXCLUSIVELY ORIGINAL
SPARE PARTS FROM
SOVEMA**

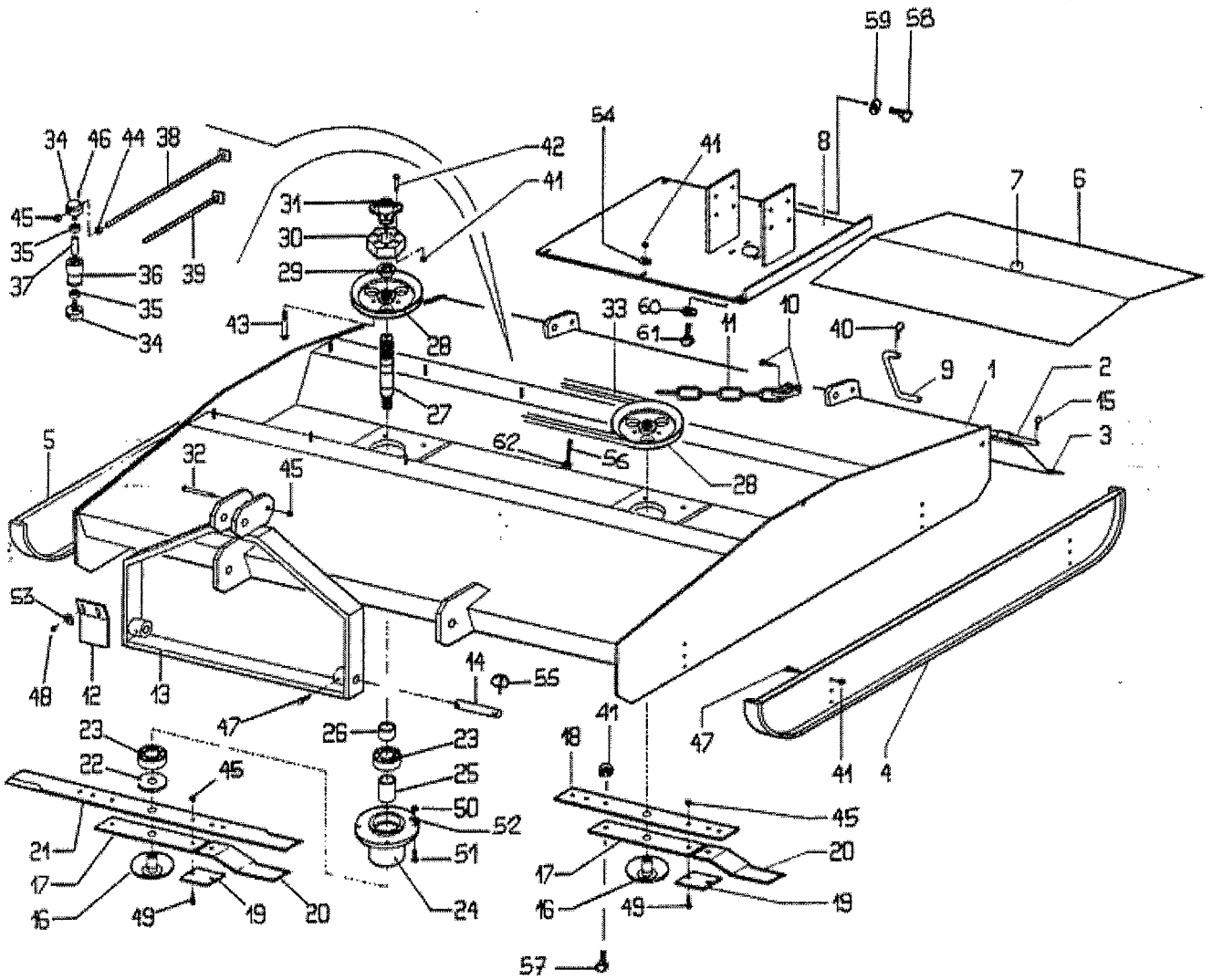
SPARE PARTS LIST

GC Model



GC 200

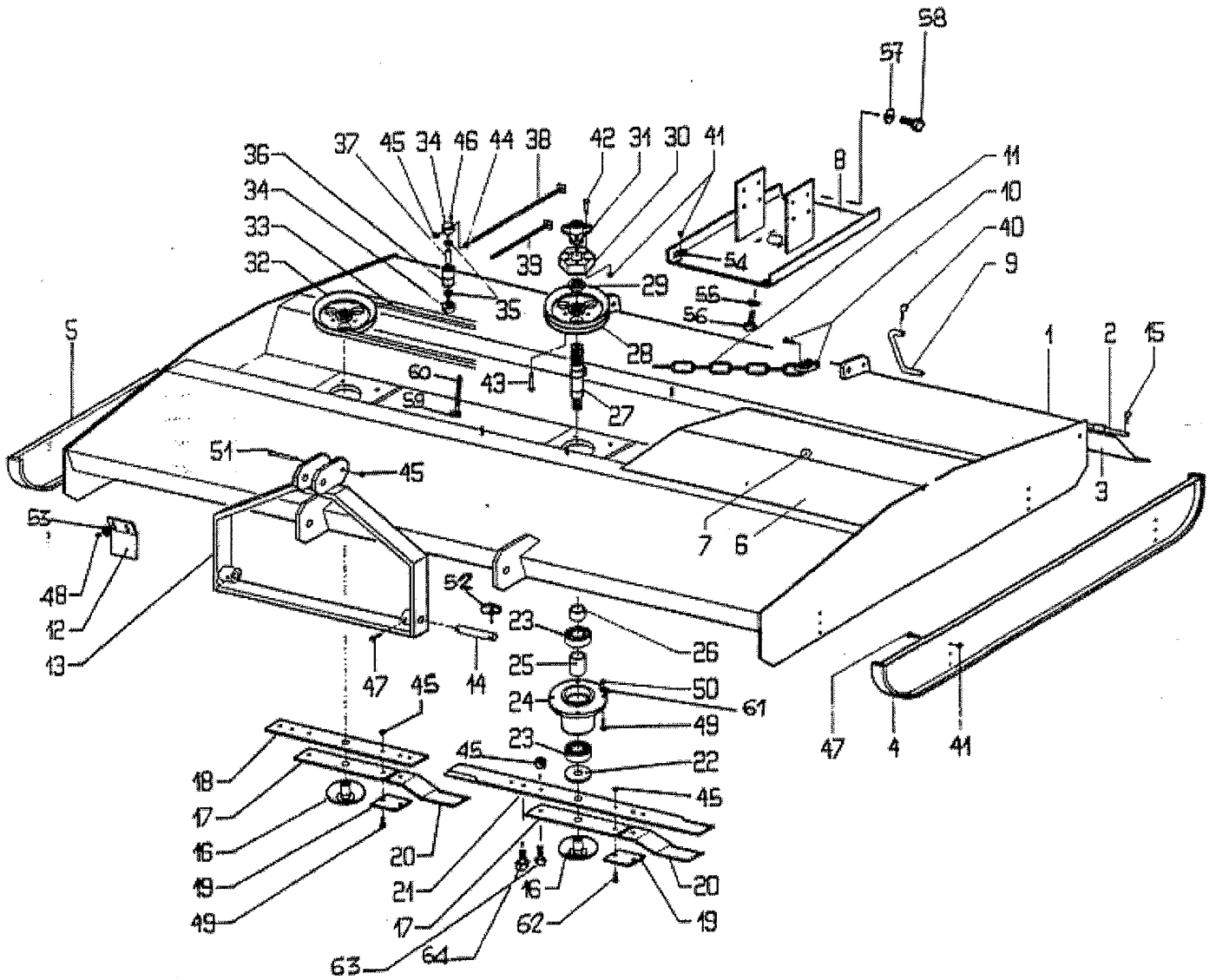
Frame



REF	CODE	QTY	ENGLISH	FRANÇAIS	ITALIANO	DEUTSCH	ESPAÑOL	NOTE
1	900.261.002	1	FRAME	CHASSIS	TELAIO	RAHMEN	BASTIDOR	
2	900.261.011	1	ROD	TIGE	ASTA	STANGE	VARILLA	
3	900.261.006	1	STRAP	BANDE	BANDELLA	BAND	BANDEJA	
4	900.261.005	1	SKID	PATIN	SLITTA	KUFE	CORREDERA	
5	900.261.004	1	SKID	PATIN	SLITTA	KUFE	CORREDERA	
6	900.261.014	1	SHIELD	CAPOT	COFANO	HAUBE	CARCASA	
7	900.261.040	1	KNOB	POIGNEE	POMELLO	KNAUF	MANETA	
8	900.261.017	1	SUPPORT	SUPPORT	SUPPORTO	STUETZE	SOPORTE	
9	900.261.010	2	ROD	TIGE	ASTA	STANGE	VARILLA	
10	900.241.174	2	U-BOLT	MANILLE	CAVALLOTTO	U-BOLZEN	SOPORTE	
11	900.261.009	2	CHAIN	CHAINE	CATENA	KETTE	CADENA	
12	900.261.038	2	FLAP	AILETTE	ALETTA	SCHUTZLAMELLE	ALETA	
13	900.261.008	1	HITCH	ATTELAGE	ATTACCO	ANBAU	ENGANCHE	
14	900.261.013	2	PIN	TOURILLON	PERNO	STIFT	PERNO	
15	900.108.005	2	SPLIT PIN	GOUPILLE	COPIGLIA	ARRETIERUNG	PASADOR	
16	900.261.037	2	DISC	DISQUE	DISCO	SCHEIBE	DISCO	
17	900.261.034	2	PLATE	PLAT	PIATTO	PLATTE	PLACA	
18	900.261.035	1	PLATE	PLAT	PIATTO	PLATTE	PLACA	
19	900.261.036	4	PLATE	PLAT	PIATTO	PLATTE	PLACA	
20	900.261.033	4	BLADE	LAME	LAMA	MESSER	CUCHILLA	
21	900.261.032	1	BLADE	LAME	LAMA	MESSER	CUCHILLA	
22	900.261.031	2	GUARD	PROTECTION	PROTEZIONE	SCHUTZ	PROTECCION	
23	900.100.119	4	BEARING	ROULEMENT	CUSCINETTO	KUGELLAGER	COJINETE	
24	900.261.029	2	HUB	MOYEU	MOZZO	NABE	MOZO	
25	900.261.030	2	SPACER	ENTRETOISE	DISTANZIALE	ABSTANDSRING	DISTANCIADOR	
26	900.261.028	2	SPACER	ENTRETOISE	DISTANZIALE	ABSTANDSRING	DISTANCIADOR	
27	900.261.027	2	SHAFT	ARBRE	ALBERO	WELLE	EJE	
28	900.261.016	2	PULLEY	POULIE	PULEGGIA	REIMENSCHLEIBE	POLEA	
29	900.103.033	2	RING NUT	EMBOUT	GHIERA	NUTMUTTER	CASQUILLO	
30	900.261.021	1	JOINT	JOINT	GIUNTO	GELENK	UNION	
31	900.261.020	1	SUPPORT	SUPPORT	SUPPORTO	STUETZE	SOPORTE	
32	900.102.270	1	SCREW	VIS	VITE	SCHRAUBE	TORNILLO	
33	900.261.019	1	BELT	COURROIE	CINGHIA	RIEMEN	CINTA	
34	900.261.022	2	PIN	TOURILLON	PERNO	STIFT	PERNO	
35	900.100.126	2	BEARING	ROULEMENT	CUSCINETTO	KUGELLAGER	COJINETE	> 71680
36	900.261.023.0	1	ROLLER	ROULEAU	RULLO	WALZE	RODILLO	> 71680
37	900.261.024.0	1	SPACER	ENTRETOISE	DISTANZIALE	ABSTANDSRING	DISTANCIADOR	> 71680
38	900.261.026	1	BAR	BARRE	BARRA	STANGE	BARRA	
39	900.261.025	1	BAR	BARRE	BARRA	STANGE	BARRA	
40	900.108.005	2	SPLIT PIN	GOUPILLE	COPIGLIA	ARRETIERUNG	PASADOR	
41	900.103.019	17	NUT	ECROU	DADO	MUTTER	TUERCA	
42	900.102.252	3	SCREW	VIS	VITE	SCHRAUBE	TORNILLO	
43	900.102.263	3	SCREW	VIS	VITE	SCHRAUBE	TORNILLO	
44	900.103.051	4	NUT	ECROU	DADO	MUTTER	TUERCA	
45	900.103.021	12	NUT	ECROU	DADO	MUTTER	TUERCA	
47	900.102.069	6	SCREW	VIS	VITE	SCHRAUBE	TORNILLO	
48	900.103.018	4	NUT	ECROU	DADO	MUTTER	TUERCA	
49	900.102.096	8	SCREW	VIS	VITE	SCHRAUBE	TORNILLO	
50	900.103.035	8	NUT	ECROU	DADO	MUTTER	TUERCA	
51	900.102.115	8	SCREW	VIS	VITE	SCHRAUBE	TORNILLO	
52	900.104.036	8	WASHER	RONDELLE	RONDELLA	ZWISCHENSCHLEIBE	ARANDELA	
53	900.104.045	4	WASHER	RONDELLE	RONDELLA	ZWISCHENSCHLEIBE	ARANDELA	
54	900.104.047	6	WASHER	RONDELLE	RONDELLA	ZWISCHENSCHLEIBE	ARANDELA	
55	900.207.018	2	CLICK PIN	CHEVILLE DECKIC	SPINA A SCATTO	SCHNAPPSTIFT	CLAVIJA DE RES.	
56	900.261.039	1	BAR	BARRE	BARRA	STANGE	BARRA	
57	900.102.188	4	SCREW	VIS	VITE	SCHRAUBE	TORNILLO	
58	900.102.098	8	SCREW	VIS	VITE	SCHRAUBE	TORNILLO	
59	900.104.046	8	WASHER	RONDELLE	RONDELLA	ZWISCHENSCHLEIBE	ARANDELA	
60	900.104.052	4	WASHER	RONDELLE	RONDELLA	ZWISCHENSCHLEIBE	ARANDELA	
61	900.102.124	4	SCREW	VIS	VITE	SCHRAUBE	TORNILLO	
62	900.103.054	2	NUT	ECROU	DADO	MUTTER	TUERCA	

GC 220-290

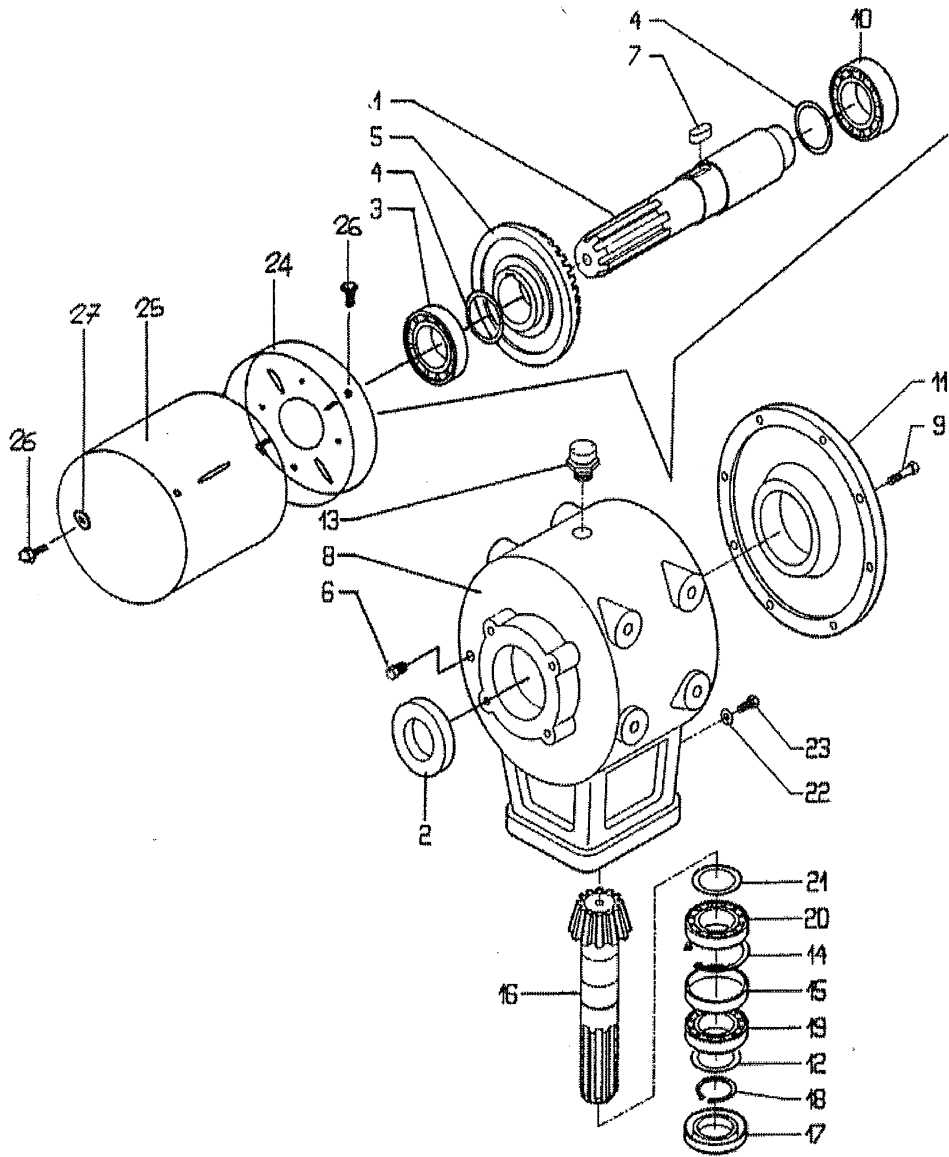
Frame



REF	CODE	QTY	ENGLISH	FRANÇAIS	ITALIANO	DEUTSCH	ESPAÑOL	NOTE
1	900.261.041	1	FRAME	CHASSIS	TELAIO	RAHMEN	BASTIDOR	220
1	900.261.003	1	FRAME	CHASSIS	TELAIO	RAHMEN	BASTIDOR	290
2	900.261.047	1	ROD	TIGE	ASTA	STANGE	VARILLA	220
2	900.261.012	1	ROD	TIGE	ASTA	STANGE	VARILLA	290
3	900.261.043	1	STRAP	BANDE	BANDELLA	BAND	BANDEJA	220
3	900.261.007	1	STRAP	BANDE	BANDELLA	BAND	BANDEJA	290
4	900.261.005	1	SKID	PATIN	SLITTA	KUFE	CORREDERA	
5	900.261.004	1	SKID	PATIN	SLITTA	KUFE	CORREDERA	
6	900.261.042	2	SHIELD	CAPOT	COFANO	HAUBE	CARCASA	220
6	900.261.014	2	SHIELD	CAPOT	COFANO	HAUBE	CARCASA	290
7	900.261.040	2	KNOB	POIGNEE	POMELLO	KNAUF	MANETA	
8	900.261.018	1	SUPPORT	SUPPORT	SUPPORTO	STUETZE	SOPORTE	
9	900.261.010	2	ROD	TIGE	ASTA	STANGE	VARILLA	
10	900.241.174	2	U-BOLT	MANILLE	CAVALLOTTO	U-BOLZEN	SOPORTE	
11	900.261.009	2	CHAIN	CHAINE	CATENA	KETTE	CADENA	
12	900.261.038	3	FLAP	AILETTE	ALETTA	SCHUTZLAMELLE	ALETA	
13	900.261.008	1	HITCH	ATTELAGE	ATTACCO	ANBAU	ENGANCHE	
14	900.261.013	2	PIN	TOURILLON	PERNO	STIFT	PERNO	
15	900.108.005	2	SPLIT PIN	GOUPILLE	COPIGLIA	ARRETIERUNG	PASADOR	
16	900.261.037	3	DISC	DISQUE	DISCO	SCHEIBE	DISCO	
17	900.261.046	3	PLATE	PLAT	PIATTO	PLATTE	PLACA	220
17	900.261.034	3	PLATE	PLAT	PIATTO	PLATTE	PLACA	290
18	900.261.045	2	BAR	BARRE	BARRA	STANGE	BARRA	220
18	900.261.035	2	PLATE	PLAT	PIATTO	PLATTE	PLACA	290
19	900.261.036	6	PLATE	PLAT	PIATTO	PLATTE	PLACA	
20	900.261.033	6	BLADE	LAME	LAMA	MESSER	CUCHILLA	
21	900.261.044	1	BLADE	LAME	LAMA	MESSER	CUCHILLA	220
21	900.261.032	1	BLADE	LAME	LAMA	MESSER	CUCHILLA	290
22	900.261.031	3	GUARD	PROTECTION	PROTEZIONE	SCHUTZ	PROTECCION	
23	900.100.119	6	BEARING	ROULEMENT	CUSCINETTO	KUGELLAGER	COJINETE	
24	900.261.029	3	HUB	MOYEU	MOZZO	NABE	MOZO	
25	900.261.030	3	SPACER	ENTRETOISE	DISTANZIALE	ABSTANDSRING	DISTANCIADOR	
26	900.261.028	3	SPACER	ENTRETOISE	DISTANZIALE	ABSTANDSRING	DISTANCIADOR	
27	900.261.027	3	SHAFT	ARBRE	ALBERO	WELLE	EJE	
28	900.261.015	1	PULLEY	POULIE	PULEGGIA	REIMENSCHLEIBE	POLEA	
29	900.103.033	3	RING NUT	EMBOUT	GHIERA	NUTMUTTER	CASQUILLO	
30	900.261.021	1	JOINT	JOINT	GIUNTO	GELENK	UNION	
31	900.261.020	1	SUPPORT	SUPPORT	SUPPORTO	STUETZE	SOPORTE	
32	900.261.016	2	PULLEY	POULIE	PULEGGIA	REIMENSCHLEIBE	POLEA	
33	900.261.048	2	BELT	COURROIE	CINGHIA	RIEMEN	CINTA	220
33	900.261.019	2	BELT	COURROIE	CINGHIA	RIEMEN	CINTA	290
34	900.261.022	4	PIN	TOURILLON	PERNO	STIFT	PERNO	
35	900.100.126	4	BEARING	ROULEMENT	CUSCINETTO	KUGELLAGER	COJINETE	> 71680
36	900.261.023.0	2	ROLLER	ROULEAU	RULLO	WALZE	RODILLO	> 71680
37	900.261.024.0	2	SPACER	ENTRETOISE	DISTANZIALE	ABSTANDSRING	DISTANCIADOR	> 71680
38	900.261.026	2	BAR	BARRE	BARRA	STANGE	BARRA	
39	900.261.025	2	BAR	BARRE	BARRA	STANGE	BARRA	
40	900.108.005	2	SPLIT PIN	GOUPILLE	COPIGLIA	ARRETIERUNG	PASADOR	
41	900.103.019	16	NUT	ECROU	DADO	MUTTER	TUERCA	
42	900.102.252	3	SCREW	VIS	VITE	SCHRAUBE	TORNILLO	
43	900.102.263	3	SCREW	VIS	VITE	SCHRAUBE	TORNILLO	
44	900.103.051	8	NUT	ECROU	DADO	MUTTER	TUERCA	
45	900.103.021	23	NUT	ECROU	DADO	MUTTER	TUERCA	
47	900.102.069	6	SCREW	VIS	VITE	SCHRAUBE	TORNILLO	
48	900.103.018	6	NUT	ECROU	DADO	MUTTER	TUERCA	
49	900.102.115	12	SCREW	VIS	VITE	SCHRAUBE	TORNILLO	
50	900.103.035	12	NUT	ECROU	DADO	MUTTER	TUERCA	
51	900.102.270	1	SCREW	VIS	VITE	SCHRAUBE	TORNILLO	
52	900.207.018	2	CLICK PIN	CHEVILLE DECKIC	SPINA A SCATTO	SCHNAPPSTIFT	CLAVIJA DE RES.	
53	900.104.045	6	WASHER	RONDELLE	RONDELLA	ZWISCHENSCHLEIBE	ARANDELA	
54	900.104.047	4	WASHER	RONDELLE	RONDELLA	ZWISCHENSCHLEIBE	ARANDELA	
55	900.104.052	4	WASHER	RONDELLE	RONDELLA	ZWISCHENSCHLEIBE	ARANDELA	
56	900.102.124	4	SCREW	VIS	VITE	SCHRAUBE	TORNILLO	
57	900.104.046	8	WASHER	RONDELLE	RONDELLA	ZWISCHENSCHLEIBE	ARANDELA	
58	900.102.098	8	SCREW	VIS	VITE	SCHRAUBE	TORNILLO	
59	900.103.054	4	NUT	ECROU	DADO	MUTTER	TUERCA	
60	900.261.039	2	BAR	BARRE	BARRA	STANGE	BARRA	
61	900.104.036	12	WASHER	RONDELLE	RONDELLA	ZWISCHENSCHLEIBE	ARANDELA	
62	900.102.096	12	SCREW	VIS	VITE	SCHRAUBE	TORNILLO	
63	900.102.188	6	SCREW	VIS	VITE	SCHRAUBE	TORNILLO	

GC

Gearbox



REF	CODE	QTY	ENGLISH	FRANÇAIS	ITALIANO	DEUTSCH	ESPAÑOL	NOTE
1	900.261.049	1	SHAFT	ARBRE	ALBERO	WELLE	EJE	
2	900.101.078	1	OIL SEAL	PARE-HUILE	PARAOLIO	SIMMERRING	PARA-ACEITE	
3	900.100.034	1	BEARING	ROULEMENT	CUSCINETTO	KUGELLAGER	COJINETE	
4	900.107.047	2	SHIM	EPAISSEUR REG.	SPESSORE REG.	STAERKE	ESPESOR REG.	
5	900.261.050	1	CROWN	COURONNE	CORONA	TELLERRAD	CORONA	
6	900.102.079	3	PLUG	BOUCHON	TAPPO	DECKEL	TAPON	
7	900.105.029	1	KEY	CLAVETTE	CHIAVETTA	KEIL	CHAVETA	
8	900.261.051	1	CASE	BOITE	SCATOLA	KISTE	CAJA	
9	900.102.011	8	SCREW	VIS	VITE	SCHRAUBE	TORNILLO	
10	900.100.033	1	BEARING	ROULEMENT	CUSCINETTO	KUGELLAGER	COJINETE	
11	900.261.052	1	LID	COUVERCLE	COPERCHIO	DECKEL	TAPA	
12	900.107.048	2	SHIM	EPAISSEUR REG.	SPESSORE REG.	STAERKE	ESPESOR REG.	
13	900.102.236	1	PLUG	BOUCHON	TAPPO	DECKEL	TAPON	
14	900.106.012	1	CIRCLIP	SERFLEX	SEEGER	SEEGER	SEEGER	
15	900.261.053	1	SPACER	ENTRETOISE	DISTANZIALE	ABSTANDSRING	DISTANCIADOR	
16	900.261.054	1	PINION	PIGNON	PIGNONE	RITZEL	PINON	
17	900.101.009	1	OIL SEAL	PARE-HUILE	PARAOLIO	SIMMERRING	PARA-ACEITE	
18	900.106.013	1	CIRCLIP	SERFLEX	SEEGER	SEEGER	SEEGER	
19	900.100.020	1	BEARING	ROULEMENT	CUSCINETTO	KUGELLAGER	COJINETE	
20	900.100.037	1	BEARING	ROULEMENT	CUSCINETTO	KUGELLAGER	COJINETE	
21	900.107.048	1	SHIM	EPAISSEUR REG.	SPESSORE REG.	STAERKE	ESPESOR REG.	
22	900.104.045	1	WASHER	RONDELLE	RONDELLA	ZWISCHENSCHIEBE	ARANDELA	
23	900.102.009	1	SCREW	VIS	VITE	SCHRAUBE	TORNILLO	
24	900.117.070	1	PROT. HOLDER	DISQUE	FONDELLO	ZWSCHUTZHALTER	DISCO	
25	900.117.072	1	GUARD	PROTECTION	PROTEZIONE	SCHUTZ	PROTECCION	
26	900.102.256	7	SCREW	VIS	VITE	SCHRAUBE	TORNILLO	
27	900.104.052	4	WASHER	RONDELLE	RONDELLA	ZWISCHENSCHIEBE	ARANDELA	

LIMITED WARRANTY POLICY



SOVEMA S.p.A., Manufacturer of quality machinery, guarantees new Sovema machinery from the time of delivery to the original purchaser to be free from defects in material and workmanship if properly set up and operated in accordance with recommendations set forth in SOVEMA's operator manual. SOVEMA's liability for any defect of accepted goods shall be limited to replacing them, or as SOVEMA shall elect.

The original purchaser will qualify for the SOVEMA warranty only after they have completed the warranty card in full and forwarded it to SOVEMA S.p.A. Italy or any SOVEMA branch.

SOVEMA's obligation shall terminate 12 (twelve) months after the date of purchase of the product by the original purchaser. This warranty cannot be assigned or transferred to anyone unless SOVEMA's consent in writing has first been obtained. All warranty claims must be forwarded to SOVEMA S.p.A. Italy or a SOVEMA branch within 8 (eight) days after occurrence.

The original purchaser will be responsible for and bear costs of:

- A) Normal maintenance such as greasing, maintenance of oil levels, minor adjustments, etc.
- B) Transportation of any kind of, any SOVEMA product to and from the place where warranty work is performed.

This warranty shall not apply to any machine which has been repaired or altered in any way outside the SOVEMA factory which affects its stability or reliability, nor which has been subject to misuse, negligence or accident, nor to any machine that has not been operated in accordance with SOVEMA's printed instructions, or operated beyond the company recommended capacity as per machine.

This warranty shall not be applicable to items which are subject to the warranties of their respective manufacturers. Such items would include but would not be limited to clutches, universal joints, knives, hydraulic components, bearings, tires, belts and other trade accessories.

This warranty shall not be applicable to items defined as normal wearing items. Such items would include but would not be limited to belts, discs, knives, tines stone guards, tires, slip clutches, pitman shaft, swath sticks, blades or tine holders.

The judgement of SOVEMA S.p.A. in all cases of claims under this warranty shall be final and conclusive and the original purchaser agrees to accept its decisions about all questions as to defects and/or to the exchange of any part or parts.

No Agent, Employee or Representative of SOVEMA has any authority to bind SOVEMA to any affirmation, representation or warranty, concerning its machinery excepts as specifically set forth.

SOVEMA shall not be liable for special or consequential damages of any kind caused by any SOVEMA product.

SOVEMA S.p.A.
 Via Olmo, 6-8-10
 41010 Gaggio di Piano (MO)
 Italy



Telephone: 059 93 85 85
 Fax : 059 93 85 12
 E-mail : sovema@sovema.com
 Web site: www.sovema.com

WARRANTY REGISTRATION

This warranty will become valid only if this form is completed and signed by both the Purchaser and the Dealer and is returned within 8 days of purchase date! **IF NOT WARRANTY IS INVALID.**

TO FILL OUT

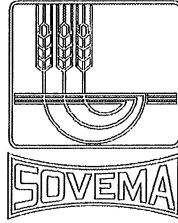
- ❖ **TYPE OF IMPLEMENT** : _____
- ❖ **IMPLEMENT SERIAL NUMBER** : _____
- ❖ **DATE OF PURCHASE** : _____

<p>DEALER: I HEREBY CERTIFY THAT</p> <ul style="list-style-type: none"> The machine has been correctly assembled in accordance with the manufacturers instructions. All nuts and bolts, oil level and grease have been checked. All safety guards and warning stickers have been placed on machine. PTO has been matched to tractor and greased. All other pre-delivery checks have been completed as per operators manual. Purchaser was given operators manual and instructed in safe and correct usage of machine and on limitation of warranty. Machine was tested and operates correctly. 	<p>PURCHASER: I HEREBY ACCEPT</p> <ul style="list-style-type: none"> That the machine is correctly assembled. Receipt of the operators manual which I have read and have clearly understood.. To have a clear understanding of the warranty limitations. To have a clear understanding of the correct and safe operation of the machine. That the machine need regular maintenance as instructions in operators manual. To have clear understanding on the capacity of this machine and made aware of its limitations.
--	---

<p style="text-align: center;">(address)</p> <p>DEALER</p> <p>_____</p> <p>_____</p> <p>_____</p> <p>Date: _____ Signature: _____</p>	<p style="text-align: center;">(address)</p> <p>PURCHASER</p> <p>_____</p> <p>_____</p> <p>_____</p> <p>Date: _____ Signature: _____</p>
--	---

COPY TO DELIVER TO: SOVEMA

SOVEMA S.p.A.
 Via Olmo, 6-8-10
 41010 Gaggio di Piano (MO)
 Italy



Telephone: 059 93 85 85
 Fax : 059 93 85 12
 E-mail : sovema@sovema.com
 Web site: www.sovema.com

WARRANTY REGISTRATION

This warranty will become valid only if this form is completed and signed by both the Purchaser and the Dealer and is returned within 8 days of purchase date! **IF NOT WARRANTY IS INVALID.**

TO FILL OUT

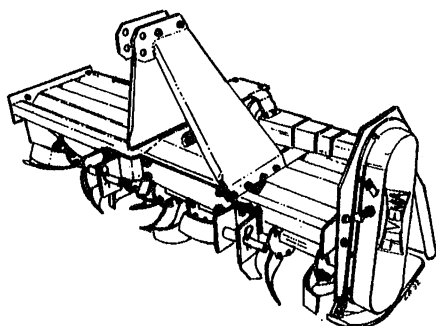
- ❖ **TYPE OF IMPLEMENT** : _____
- ❖ **IMPLEMENT SERIAL NUMBER** : _____
- ❖ **DATE OF PURCHASE** : _____

<p>DEALER: I HEREBY CERTIFY THAT</p> <ul style="list-style-type: none"> The machine has been correctly assembled in accordance with the manufacturers instructions. All nuts and bolts, oil level and grease have been checked. All safety guards and warning stickers have been placed on machine. PTO has been matched to tractor and greased. All other pre-delivery checks have been completed as per operators manual. Purchaser was given operators manual and instructed in safe and correct usage of machine and on limitation of warranty. Machine was tested and operates correctly. 	<p>PURCHASER: I HEREBY ACCEPT</p> <ul style="list-style-type: none"> That the machine is correctly assembled. Receipt of the operators manual which I have read and have clearly understood.. To have a clear understanding of the warranty limitations. To have a clear understanding of the correct and safe operation of the machine. That the machine need regular maintenance as instructions in operators manual. To have clear understanding on the capacity of this machine and made aware of its limitations.
--	---

<p style="text-align: center;">(address)</p> <p>DEALER</p> <p>_____</p> <p>_____</p> <p>_____</p> <p>Date: _____ Signature: _____</p>	<p style="text-align: center;">(address)</p> <p>PURCHASER</p> <p>_____</p> <p>_____</p> <p>_____</p> <p>Date: _____ Signature: _____</p>
--	---

PURCHASER COPY

SOVEMA Product Line

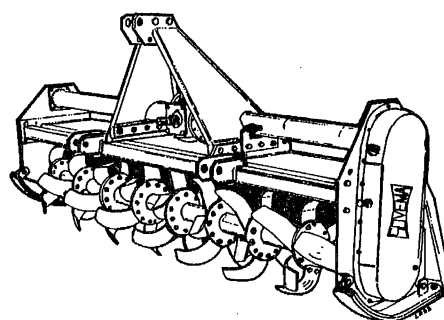


SIDE SHIFT ROTARY TILLERS

- 15 different models;
- For tractors from 12 to 70 HP
- Working width from 80 to 200 cm.

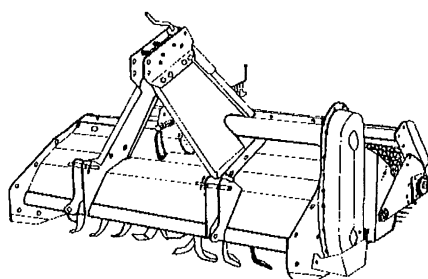
FIXED ROTARY TILLERS

- Over 45 different models;
- For tractors from 15 to 130 HP
- Working width from 80 to 300 cm.



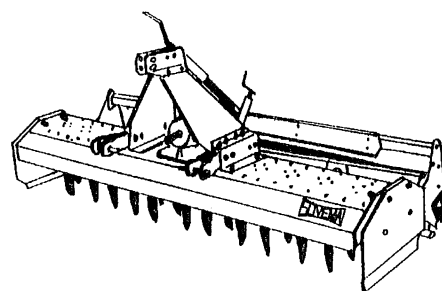
STONE BURRIERS

- 6 different models;
- For tractors from 35 to 90 HP
- Working width from 100 to 200 cm.



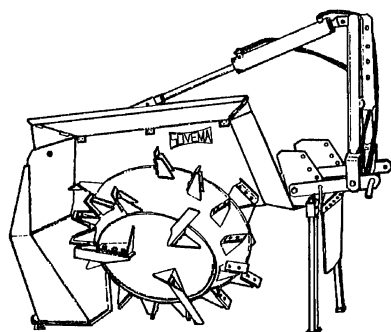
ROTARY HARROWS

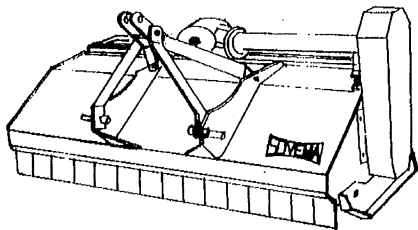
- 13 different models;
- For tractors from 25 to 150 HP
- Working width from 110 to 500 cm.



ROTARY DITCHERS

- 10 different models;
- For tractors from 40 to 130 HP
- Working depth from 45 to 110 cm.



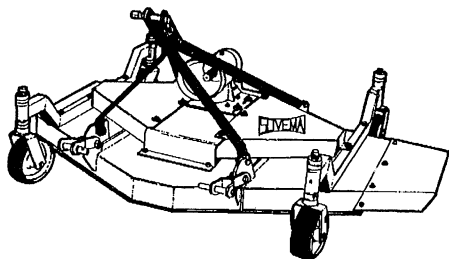
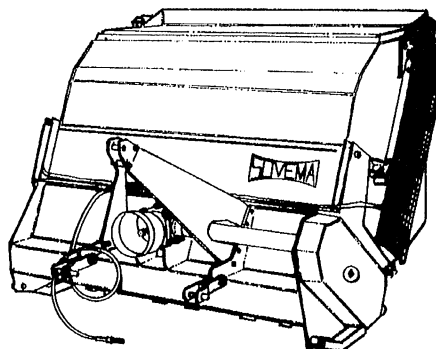


FLAIL MOWERS - SHREDDERS

- 35 different models;
- For tractors from 15 to 120 HP
- Working width from 100 to 470 cm.

MOWERS COLLECTOR

- 6 different models;
- For tractors from 30 to 60 HP
- Working width from 120 to 180 cm.
- Available with high discharge and low discharge

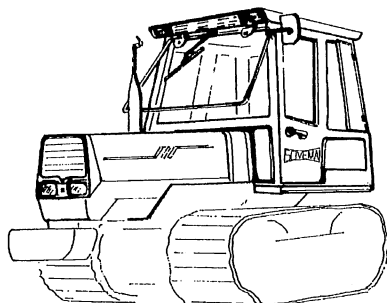
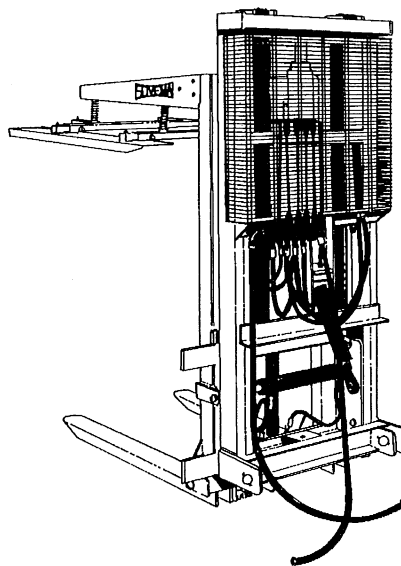


FINISHING MOWERS

- 14 different models;
- For tractors from 15 to 70 HP
- Working width from 100 to 300 cm.

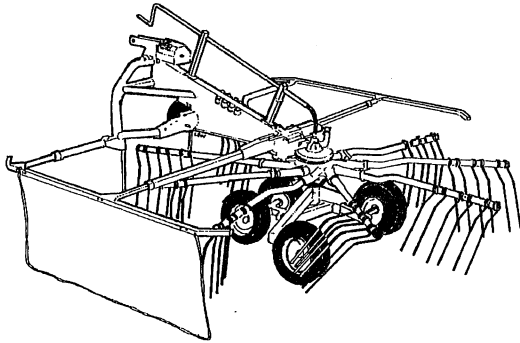
HYDRAULIC FORK-LIFTS

- 11 different models;
- For tractors up to 60 HP
- Lifting capacity from 1.300 Kg to 2.000 Kg.



TRACTOR CABS

- Over twenty models of cabs for eleven manufacturers of tractors;
- For tractors with wheels or crawlers;
- All models available with heating and/or air conditioned.

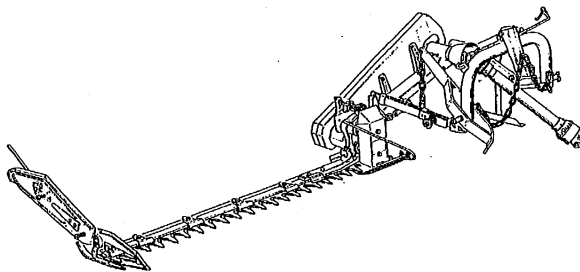
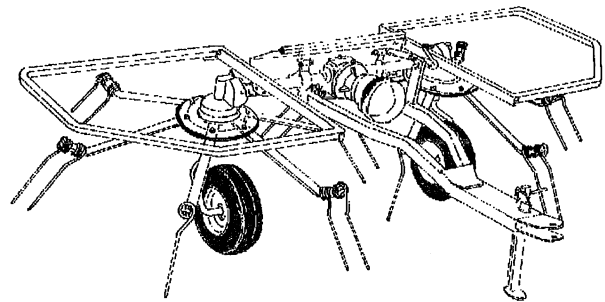


ROTARY RAKE

- 4 different models
- For tractors from 30 to 70 HP
- Working width from 340 to 695 cm.

HAY TEDDERS

- 6 different models (2, 4, 6 rotors)
- For tractors from 10 to 40 HP
- Working width from 310 to 730 cm.



SICKLE BAR MOWER

- 3 different models.
- For tractors from 10 to 15 HP.

FINGER WHEELS

- 8 different models (8-20 stars)
- For tractors from 30 to 80 HP
- Working width from 7.35 to 12.50 m.

