

RT 20

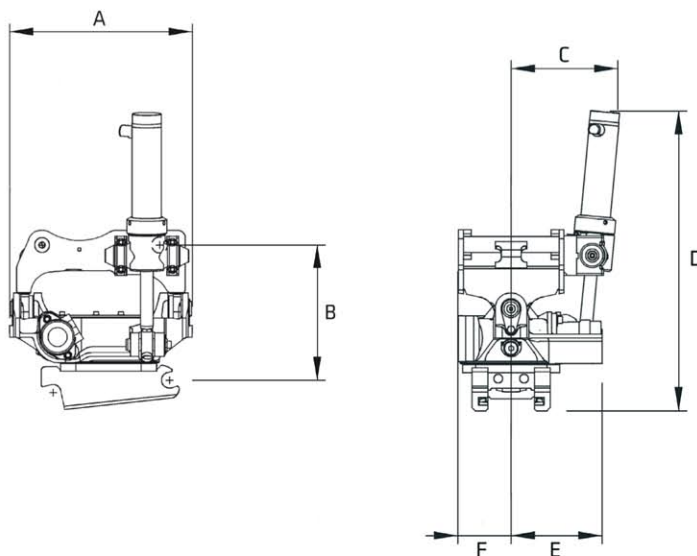
Rototilt designed for mini-excavators
with machine weight 3–6 tonnes (6,600–13,200 lb)



TECHNICAL DATA RT 20	METRIC	IMPERIAL
Min/Max machine weight	3-6 tonnes	6,600-13,200 lb
Maximum standard bucket volume	0.2 m ³	0.26 yd ³
Maximum bucket digging force	45 kN	10,115 lb
Weight	from 145 kg*	320 lb
Tilting angle	2 x 40°	2 x 40°
Rotation	unlimited	unlimited
Rate of rotation (@50 l/min)	1 turn/7 seconds	1 turn/7 seconds
Min/Max connection pressure	20/25 MPa	2900/3626 psi
Working pressure	25 MPa	3626 psi
Max return pressure (@50 l/min)	2 MPa	290 psi
Min/Max connected flow	25/50 l/min	6.6/13.2/gpm
Number of lubrication points	5	5

* The weight depends on the type of adapter, quick coupler and control system.

DIMENSIONS RT 20	MM	INCH
Applies for RT 20 S40/S40		
A	467 mm	18.39 in
B	347 mm	13.66 in
C	270 mm	10.63 in
D	760 mm	29.92 in
E	230 mm	9.06 in
F	135 mm	5.31 in



RT 20 S40/S40 with double acting cylinder



RT 20 Multi/S40 with double acting cylinder

The pictures above only show two of several possible configurations for the RT 20.