

# MIDIPIERRE

## 80-130 HP

### Light-weight machine optimal for low tractor transmission

Due to its small design the MIDIPIERRE is particularly suitable for working between rows of trees in orchards and vineyards. The fields are cleared of stones, and the soil will be well prepared for the new season.

The frame is made of high-strength and wear-resistant steel and the wearing parts are replaceable - this guarantees a durable machine.

### Standard version and specifications

- > Crushes stones up to 20 cm [8"] Ø
- > Tills the soil as deep as 12 cm [4.7"] and deeper, depending on the working conditions
- > Working speed 0-2 km/h
- > ISO 3-point rear linkage cat. 2 central fixed
- > Gearbox 540 rpm with freewheel
- > Belt drive
- > Chassis made of wear resistant steel with replaceable plates
- > Adjustable anvil bar
- > Hydraulically operated hood
- > Chain protection
- > Pointed guide skids
- > Helical rotor with fixed hammers SUPER DUO PROTECT and lateral EXTREME


### Optional configuration and accessories

- > PTO drive shaft with or without freewheel
- > Gearbox 1000 rpm
- > Hydraulic top link

### Technical requirements

- > Creep speeds (max. 0,5 km/h) or CVT continuously variable transmission
- > Hydraulic three-point tractor linkage



 [www.youtube.com/seppimulcher](https://www.youtube.com/seppimulcher)

Specifications · MIDIPIERRE	Nominal power 80-130 HP	
Working width	125 cm [49"]	150 cm [59"]
Overall width	153 cm [60"]	178 cm [70"]
Depth	115 cm [45"]	115 cm [45"]
Height	120 cm [47"]	120 cm [47"]
Weight (base value w/o options)	1.270 kg [2,800 lb]	1.380 kg [3,040 lb]
Belts	6	6
SUPER DUO PROTECT + EXTREME	2+26+2	2+31+2

### Tools




Fixed hammer with tungsten carbide tips  
SUPER DUO PROTECT




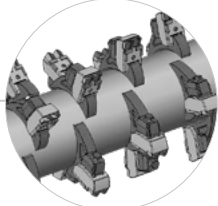
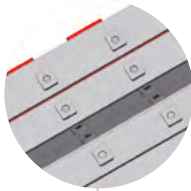
Lateral fixed hammers with tungsten carbide tips  
SUPER DUO EXTREME

MIDIPIERRE · features



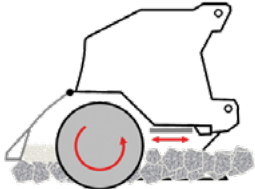
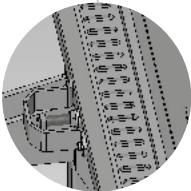
Chassis made of high tensile and wear-resistant steel with replaceable wear plates

**AR400**  
**WEARPLATE**



**HELIX ROTOR** Helical rotor for better power distribution, low noise and less vibration

**CARBIDE** Tungsten carbide insert hammers SUPER DUO PROTECT + lateral EXTREME anti-wear hammer supports



Adjustable anvil bar to adjust the degree of mulching; easy adjustable by screws.