



BCSS SERIES SKID STEER BRUSH CUTTER

CLOSED FRONT MODELS:

BCSS-60, BCSS-60LF, BCSS-72, BCSS-72LF,
BCSS-72HF, BCSS-90, BCSS-90HF

OPEN FRONT MODELS:

BCSS-S601, BCSS-S601LF, BCSS-S721, BCSS-S721LF,
BCSS-721, BCSS-721HF, BCSS-721LF

Published 11/21

Part No: 50082375

OPERATOR'S MANUAL



This Operator's Manual is an integral part of the safe operation of this machine and must be maintained with the unit at all times. **READ, UNDERSTAND, and FOLLOW** the Safety and Operation Instructions contained in this manual before operating the equipment. *C01-Cover_B*

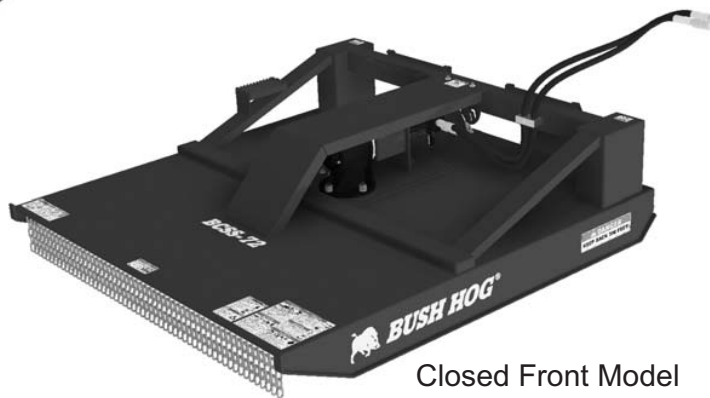
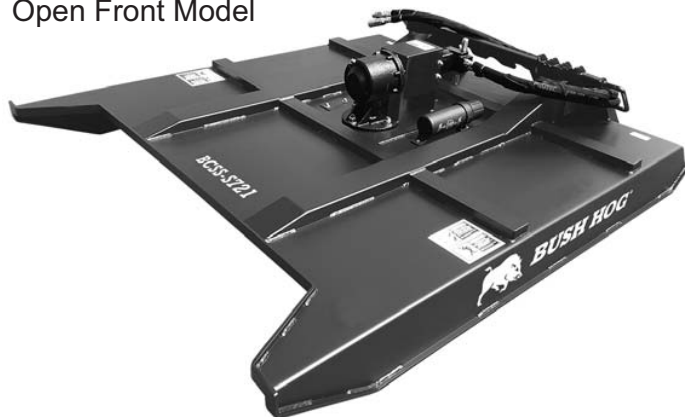
Safety Video

Important Operating and Safety Instructions are found in the Mower Safety Video that can be instantly accessed on the internet at: www.algqr.com/bve



www.algqr.com/bve

Open Front Model



Closed Front Model

BUSH HOG[®]

2501 Griffin Ave.
Selma, AL 36703
334-874-2700
www.bushhog.com

Bush Hog Web Page



www.algqr.com/bwe

¡ATENCIÓN!
LEA EL INSTRUCTIVO



Si No Lee Ingles, Pida
Ayuda a Alguien
Que Se Lo Lea Para Que le
Traduzca Las
Medidas de Seguridad



© 2021 Alamo Group Inc.

Before operation of your BCSS Bush Cutter read the entire contents of this manual

Thank you for your purchase of the Bush Hog BCSS brush cutter. At Bush Hog we take great pride in the design and manufacturing of our products and we appreciate your business. We are confident your Bush Hog will provide many years of reliable service. Welcome to the Bush Hog family of attachments.

For your safety and the safety of others, please read the entire contents of this manual prior to the operation of the Bush Hog Brush Cutter.

If you have questions regarding your BCSS Brush Cutter, contact your dealer.

The Dealer is to register the product at www.bushhogservicecenter.com. This must be on file within thirty days of the purchase date in order for warranty claims to be valid.

To ensure prompt and accurate information when working with your dealer regarding your Bush Hog BCSS Brush Cutter please complete the Owner Reference Information below. The information will be vital for service, repair and warranty inquiries.

OWNER REFERENCE INFORMATION

Date Purchased:

Dealer Name:

Dealer Phone:

Model Number:

Serial Number:

Thank you for your business!

Table of Contents

Foreword.....	2
Safety Section.....	4
Operation Instructions.....	6
Maintenance.....	7
Maintenance Checklist.....	8
Troubleshooting.....	9
BCSS-S601LF, BCSS-S601, BCSS-S721LF, BCSS-S721 - Decal List.....	10
BCSS-721LF, BCSS-721, BCSS-721HF - Decal List.....	11
BCSS-60, BCSS-60LF, BCSS-72, BCSS-72LF, BCSS-72HF - Decal List.....	12
BCSS-90 & BCSS-90HF - Decal List.....	13
Safety Decal Information.....	14-16
Dealer Instructions/Check List.....	17
Warranty Information.....	18

Safety Instructions



The following safety instructions are provided to alert you to precautions which, if not followed, may cause serious injury to yourself or others. Please read these instructions completely. Bush Hog can not cover every incident that might be a hazard. Extreme caution should be used at all times. Only use BCSS Brush Cutters for the purpose for which it has been designed. Always operate a skid steer with a forestry rated door and cab. Safety goggles and hearing protection must be worn at all times.

Site Inspection: Before operation of your BCSS Brush Cutter, carefully inspect the area to be cleared. Remove any items which may be picked up and thrown by the cutting blades; wire, pipes, or rocks. Mark any object too large to move. This is an important step to help avoid damage to property, the Bush Hog brush cutter, your skid steer or personal injury. If an object is struck when operating the brush cutter, immediately shut down power to both the attachment and the skid steer. Any damage should be corrected and tested before continuation of cutting.

Equipment Inspection: Prior to inspection, disconnect the unit from the skid steer. To inspect or to make repairs under the brush cutter deck always block the unit securely in order to prevent accidental release of the lift mechanism. Inspect all hydraulic hoses and shields to ensure they are in good condition and without holes before pressurizing. Hydraulic fluid can escape under pressure and may cause serious injury or death. Wear safety goggles, ear protection, hard hat, and only operate the skid steer behind shatter proof forestry rated door and cab.

Skid Steer Auxiliary Hydraulic Flow: Check the specifications of the brush cutter models rated GPM to correctly match the hydraulic flow of your skid steer to ensure proper operation.

Do Not operate near bystanders, vehicles, pets, livestock or buildings. Objects may discharge while cutting with the Bush Hog and has the potential to cause serious injury.

Do Not place hands, feet or other objects under the deck while the Bush Hog is in operation. To inspect or perform maintenance under the deck, always shut down the power to the Bush Hog, shut-off the skid steer engine, disconnect hydraulic hoses, and block the unit securely.

Do Not raise the mower deck when blades are rotating. Operation with the mower raised will expose the cutting blades and the potential for injury or death.

Do Not allow children to operate this BCSS rotary brush cutter. Only individuals with skid steer experience who are well acquainted with the rules of safe operation should be allowed to operate the BCSS Brush Cutter .

Safety Instructions

Do Not operate the BCSS Brush Cutter in conditions with poor visibility.

Do Not expose the underside of the blades towards the cab.

Do Not operate while intoxicated or if taking medications that may impair your senses or reactions.

Do Not attempt to straighten blades. **Order replacement blades if blades are bent, cracked or damaged.**

Do Not leave the BCSS Brush Cutter unattended while in a raised position. Always make sure both the runners are placed firmly on the ground and shut down the skid steer.

Do Not continue operation if an unexpected object is struck. **IMMEDIATELY** shut down power to both the attachment and the skid steer. Disconnect the hydraulic couplers from the power source. Evaluate the damage, repair and the test unit before operation.

Do Not allow anyone or any item on top of the mower deck when in operation.

Do Not operate until all of the members of your work crew are alerted to the dangers of walking up to the brush cutter while in operation.



Make sure all hydraulic connections are tight and hoses and shields are in good condition before applying pressure.

Hydraulic fluid escaping under pressure can penetrate skin and cause serious injury. If this type of injury occurs, **seek medical attention immediately.**

 **WARNING** Cancer and Reproductive Harm www.P65Warnings.ca.gov

Operation Instructions

1. Prior to operation check the blades and replace if cracked or damaged. All blades must be replaced at the same time. Tighten the blade carrier to the gearbox, blade bolts/nuts, and hydraulic motor mount nuts to torque specification on Page 8. Check the hydraulic fluid. A low level could indicate a leak and require a closer inspection of your unit.
2. Connect the BCSS Brush Cutter to your skid steer with the universal quick-tach mount.
3. Once connected, visually check the lock pins to make sure the Bush Hog is securely locked in place. Raise the Bush Hog to 12" above ground level. Loop the lift limit chain through the chain ring on your skid steer and back to the chain bracket on your Bush Hog. Verify the hydraulic flow of your skid steer is within the range of the Bush Hog rating of GPM - Gallons per Minute.
4. Inspect the hydraulic couplers and wipe off water, dust or any debris. Dirt and debris can damage hydraulic components. Once cleaned, connect the couplers from the cutter to the auxiliary hydraulic system on the skid steer.
5. Connect the auxiliary hydraulic lines for the brush cutter to the skid steer. If you have a High Flow skid steer and brush cutter - attach the case drain to the skid steer. Twist the collars of the quick connect couplers to secure the hydraulic connections. Do not operate the brush cutter on High Flow hydraulics (over 30 GPM) unless the brush cutter is equipped with a High Flow motor this may cause damage to the motor and void the warranty.
6. Confirm all safety measures have been completed per the Safety Instructions. Most importantly make sure the area is clear of personnel and pets.
7. Enter shatter-proof cab door, engage seat belt, release brake and start engine. The runners of the Bush Hog should be as close to the ground as possible. Never raise the cutter deck more than seven (7) inches off the ground while in operation.
8. Slowly apply hydraulics to the brush cutter and increase the engine speed to high idle. Make sure the unit is operating smoothly before moving the skid steer forward. When temperatures are below zero allow additional time for hydraulic fluids to warm-up.
9. Maintain a speed to handle the volume of brush and to prevent stalling.
10. Stay alert for drop-offs, rocks, holes, abandoned wells and septic tanks. Do not operate or drive across a steep embankment as this may cause a rollover and possible injuries or death.
11. To cut large diameter brush and trees, move forward slowly to make the cut.
12. When finished cutting, lower lift arms, make sure the cutter is placed flat on the ground, throttle down the skid steer and shut off the hydraulic flow to the unit, stop engine, and engage parking brake prior to leaving the cab. **Noise at shut down is normal.**
13. To disconnect hoses use proper hand protection as the couplers may be hot.

Maintenance

Your new BCSS Brush Cutter is a precisely engineered attachment and requires little maintenance. The Bush Hog is built to strict standards and will deliver years of dependable service by following these maintenance guidelines:

1. Perform maintenance on level surface with the unit firmly on the ground and blocked. Shut off the hydraulic power supply and disconnect hydraulic couplers.

Before operation, check the gearbox for proper lubricant and hydraulic hoses for any leaks. To check lubricant level, remove pipe plug from the side of the gearbox. Lubricant should be the same level as the plug. See diagram on page 8.

IMPORTANT: Do not overfill, as too much lubricant may rupture the gearbox seals.

2. Check all nuts and bolts for proper tightness. See Maintenance Schedule on page 8.
3. Every BCSS Brush Cutter is tested at the factory and all nuts and bolts have been tightened to specifications. We recommend you check them after the first 4 to 6 hours of operation and at regular intervals as defined in the Maintenance Schedule.
4. Tighten all the nuts which secure the blades to the blade carrier every eight (8) hours. Torque the nuts to 775 ft - lbs with a 1-11/16" socket wrench. The nuts are located under the access plate on the top of the blade carrier. Also, tighten the castle nut holding the blade or bar carrier to the output shaft of the gearbox, torque to 450 ft - lbs with a 1-1/2" socket wrench.
5. Inspect blades regularly to ensure they are sharp, tightened correctly and intact. Blades must be replaced as a set and never try to weld or straighten damaged blades, as loss of blade integrity will result.
6. Inspect hydraulic hoses daily or each use for damage, wear or leaks.
7. **Shear bolt protection (also known as butter bolt)** at the motor coupler. It is recommended to carry additional shear bolts **GRD 2** obtained at most hardware stores. **Only use grade 2 when replacing.**



CAUTION: Always replace the entire set of blades. Never weld or straighten damaged blades, as loss of blade integrity may result.

CAUTION: Replace missing or illegible safety decals immediately. Decals are available at your Bush Hog dealer.

Maintenance Schedule / Checklist

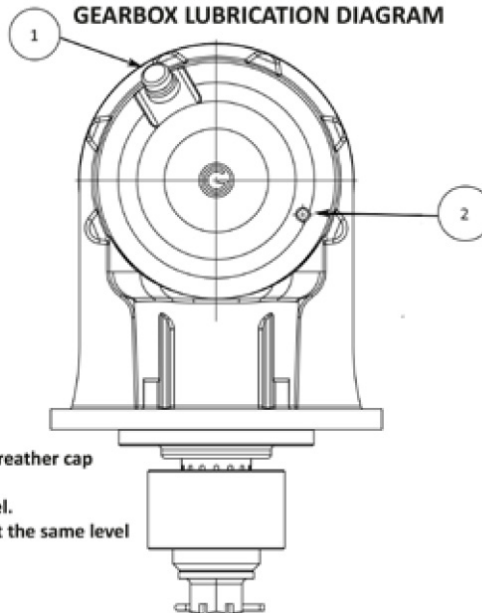


CAUTION: Perform maintenance on a level surface with the unit firmly on the ground and blocked. Shut off the hydraulic power supply and disconnect hydraulic couplers.

Do Not loan your brush cutter to another skid steer owner. The potential exists for hydraulic contamination and could shorten the life of your skid steer or the hydraulic motor on your Bush Hog brush cutter.

ITEM	TYPE OF MAINTENANCE	FREQUENCY
Gearbox mounting bolts	Torque to 275 ft - lbs	Daily or every 8 hours
Hydraulic motor mount bolts	Torque to 75 ft - lbs.	Daily or every 8 hours
Block - High Flow units only	Torque to 420 in - lbs.	Daily or every 8 hours
Shear Bolt Grade 2	Torque to 75 ft - lbs.	Daily or every 8 hours
Blade Bolt/Nuts	Torque to 775 ft - lbs.	Daily or every 8 hours
Blade Inspection	Check for damage, dullness or cracks. Blades should rotate freely and be clear of obstructions. Replace entire set of blades if damaged.	Daily or every use
Gearbox castle nut	Torque to 450 ft - lbs.	Daily or every 8 hours
Hoses and hose safety shield	Check for wear, damage or leaks. Replace if damaged.	Daily or every 8 hours
Gearbox lubricant	Check oil - add 85 W 140 gear lube DO NOT overfill - see diagram below	Once per week
Gearbox shaft	Inspect shaft and remove foreign material.	Inspect each use
Bush Hog BCSS Cutter	Clean the unit to view potential damage or obstructions that could result in poor performance.	As needed

GEARBOX LUBRICATION DIAGRAM



Troubleshooting

Note: When performing maintenance, shut down the skid steer and remove hydraulic hoses from the power source.

Problem

Check

Loss of Power

Low hydraulic fluid level
Overheated hydraulic fluid*
Contaminated hydraulic fluid*
Low gearbox lubricant level
Broken gearbox /motor shear pin
Missing input shaft key

Excessive Unit Vibration

Dull, broken or damaged blades
Bent gearbox shaft
Blade carrier out of balance
Loose nuts and bolts
New blade or bolts matched with worn blade or bolts
Wire or rope wrapped around blades

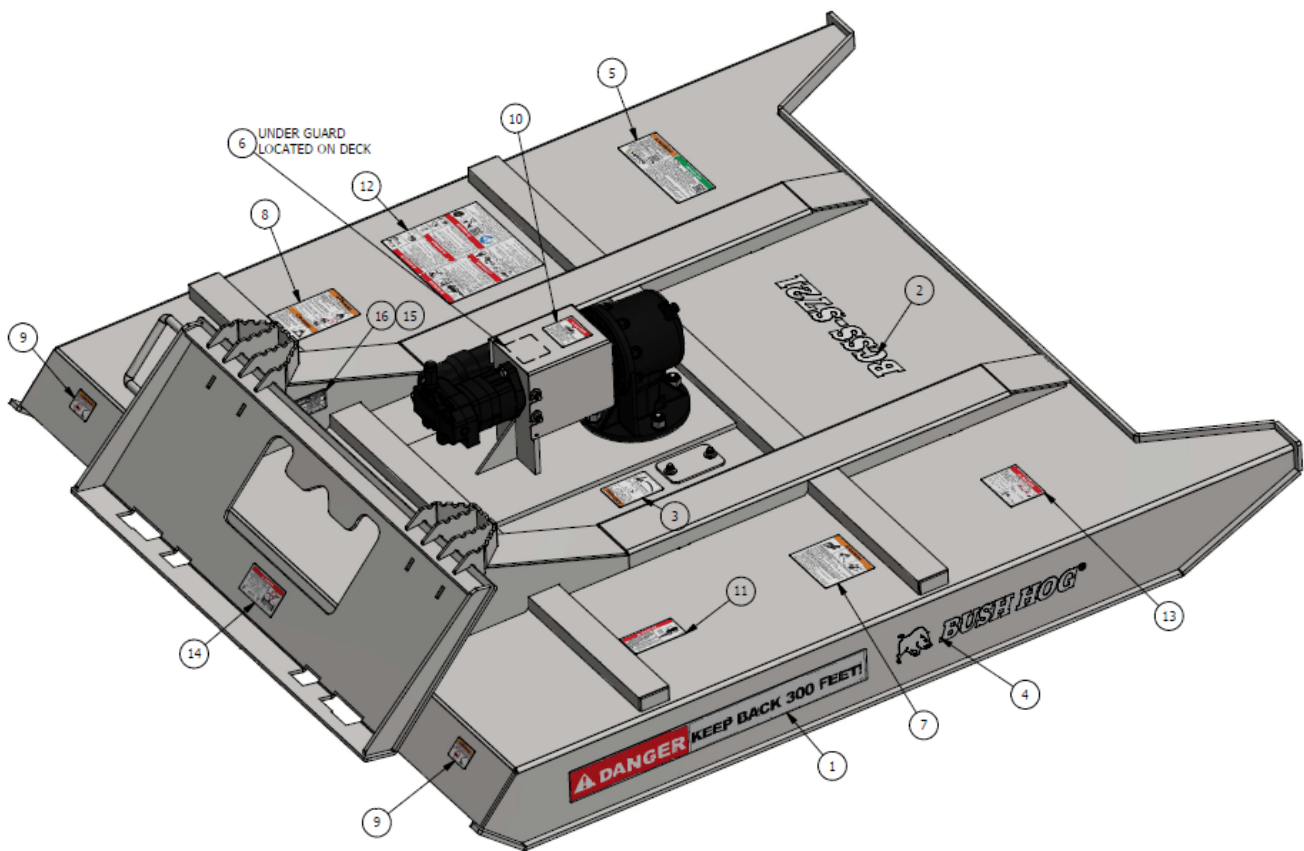
Leaking Oil

Loose hydraulic connections
Ruptured hydraulic motor seals
Bent gearbox shaft
Loose or missing motor drain plug
Ruptured hydraulic motor seals

***May damage hydraulic motor and void warranty**

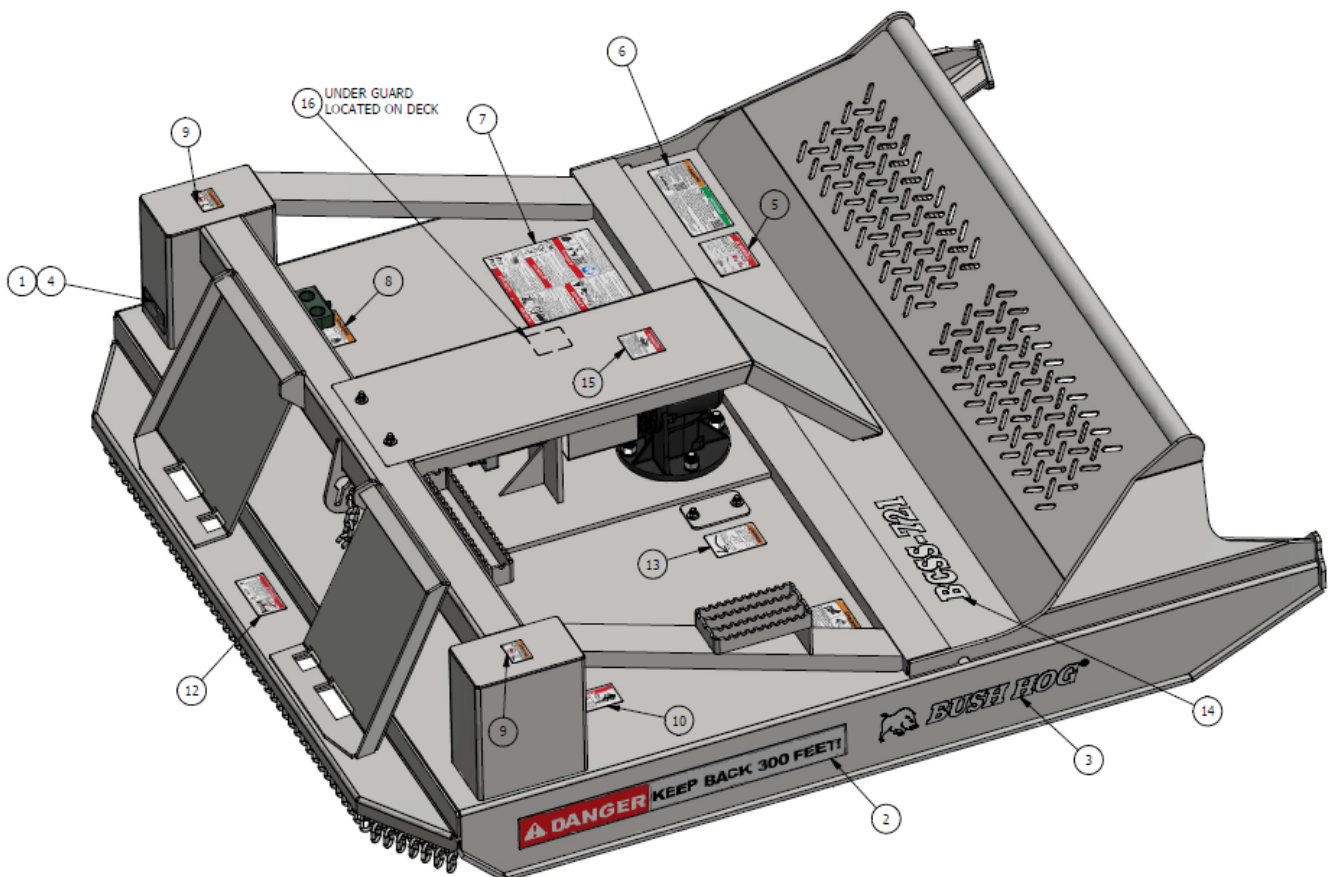
BCSS-S601LF, BCSS-S601, BCSS-S721LF, BCSS-S721 - Decal List

ITEM	ITEM QTY	BUSH HOG PART NUMBER	DESCRIPTION
1	2	D1119	DECAL, 300 FEET 2
2	1	50083006	DECAL, BCSS-S721
2	1	50083004	DECAL, BCSS-S601
2	1	50083005	DECAL, BCSS-S601LF
2	1	50083007	DECAL, BCSS-S721LF
3	1	D1100	DECAL, BLADE ROTATION
4	2	50081679	DECAL, BUSH HOG SMALL
5	1	D559	DECAL, GENUINE PARTS
6	1	D546	DECAL, GUARD MISSING
7	1	D617	DECAL, HIGH PRESSURE OIL
8	1	D676	DECAL, OPERATIONS SAFETY
9	2	D623	DECAL, PINCH POINT
10	1	D1095	DECAL, ROTATING PARTS
11	1	00776609	DECAL, THROWN OBJECT 1
12	1	D1117	DECAL, THROWN OBJECT 3
13	1	D1104	DECAL, THROWN OBJECT 4
14	1	D1118	DECAL, THROWN OBJECT 5
15	2	NA	TACK, 0.250, STAINLESS STEEL
16	1	NA	TAG, SERIAL NUMBER, BUSH HOG 4.250 X 2.000



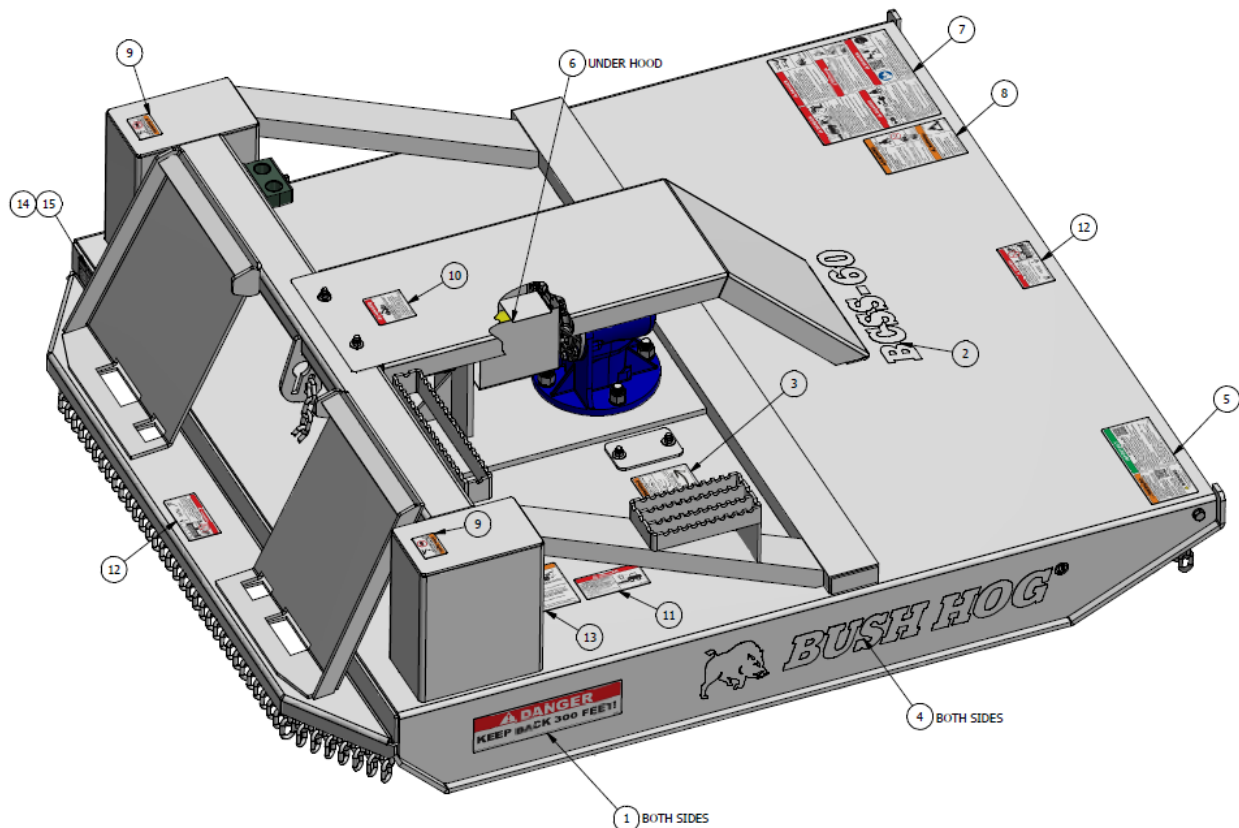
BCSS-721LF, BCSS-721, BCSS-721HF - Decal List

ITEM	ITEM QTY	BUSH HOG PART NUMBER	DESCRIPTION
1	2	NA	TACK, 0.250, STAINLESS STEEL
2	2	D1119	DECAL, 300 FEET 2
3	2	50081679	DECAL, BUSH HOG SMALL
4	1	NA	TAG, SERIAL NUMBER, BUSH HOG 4.250 X 2.000
5	1	D1104	DECAL, THROWN OBJECT 4
6	1	D559	DECAL, GENUINE PARTS
7	1	D1117	DECAL, THROWN OBJECT 3
8	1	D676	DECAL, OPERATIONS SAFETY
9	2	D623	DECAL, PINCH POINT
10	1	00776609	DECAL, THROWN OBJECT 1
11	1	D617	DECAL, HIGH PRESSURE OIL
12	1	D1118	DECAL, THROWN OBJECT 5
13	1	D1100	DECAL, BLADE ROTATION
14	1	50083001	DECAL, BCSS-721
14	1	50083003	DECAL, BCSS-721LF
14	1	50083002	DECAL, BCSS-721HF
15	1	D1095	DECAL, ROTATING PARTS
16	1	D546	DECAL, GUARD MISSING



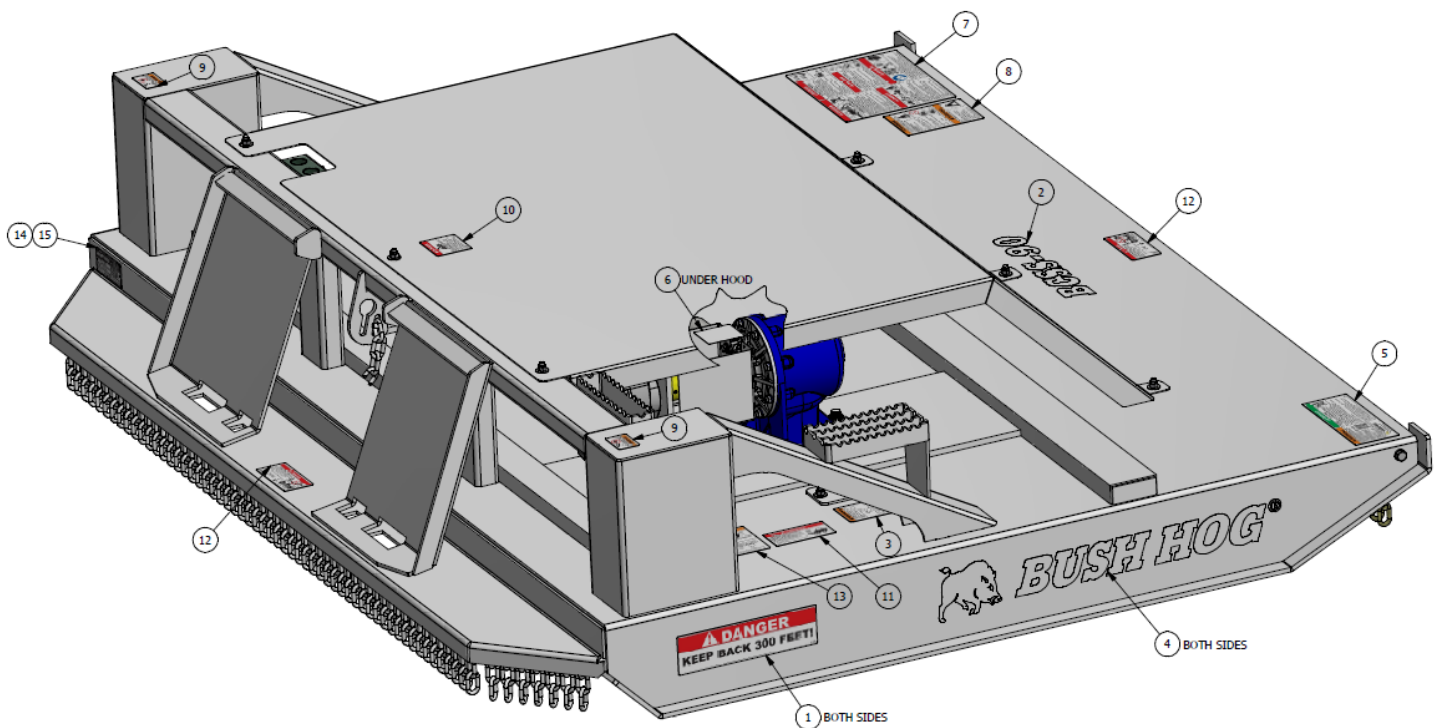
BCSS-60, BCSS-60LF, BCSS-72, BCSS-72LF & BCSS-72HF - Decal List

ITEM	ITEM QTY	BUSH HOG PART NUMBER	DESCRIPTION
1	2	D1096	DECAL, 300 FEET
2	1	50082335	DECAL, BCSS-60
2	1	50082336	DECAL, BCSS-60LF
2	1	50082337	DECAL, BCSS-72
2	1	50082338	DECAL, BCSS-72LF
2	1	50082339	DECAL, BCSS-72HF
3	1	D1100	DECAL, BLADE ROTATION
4	2	50080370	DECAL, BUSH HOG
5	1	D559	DECAL, GENUINE PARTS
6	1	D546	DECAL, GUARD MISSING
7	1	D1094	DECAL, MULTI-HAZARD
8	1	D676	DECAL, OPERATIONS SAFETY
9	2	D623	DECAL, PINCH POINT
10	1	D1095	DECAL, ROTATING PARTS
11	1	00776609	DECAL, THROWN OBJECT 1
12	2	D614	DECAL, THROWN OBJECT 2
13	1	D617	DECAL, HIGH PRESSURE OIL
14	2	NA	TACK, 0.250, STAINLESS STEEL
15	1	NA	TAG, SERIAL NUMBER, BUSH HOG 4.250 X 2.000



BCSS-90 & BCSS-90HF - Decal List

ITEM	ITEM QTY	BUSH HOG PART NUMBER	DESCRIPTION
1	2	D1096	DECAL, 300 FEET
2	1	50082340	DECAL, BCSS-90
2	1	50082341	DECAL, BCSS-90HF
3	2	D1100	DECAL, BLADE ROTATION
4	2	50080370	DECAL, BUSH HOG
5	1	D559	DECAL, GENUINE PARTS
6	1	D546	DECAL, GUARD MISSING
7	1	D1094	DECAL, MULTI-HAZARD
8	1	D676	DECAL, OPERATIONS SAFETY
9	2	D623	DECAL, PINCH POINT
10	1	D1095	DECAL, ROTATING PARTS
11	1	00776609	DECAL, THROWN OBJECT 1
12	2	D614	DECAL, THROWN OBJECT 2
13	1	D617	DECAL, HIGH PRESSURE OIL
14	2	NA	TACK, 0.250, STAINLESS STEEL
15	1	NA	TAG, SERIAL NUMBER, BUSH HOG 4.250 X 2.000



Safety Decal Information

⚠ DANGER



THROWN OBJECTS HAZARD

Mower can throw objects up to 300 feet. **TO AVOID DEATH OR SERIOUS INJURY to operator or bystanders:**

- STOP mowing if bystanders or traffic come within 300 feet.
- DO NOT OPERATE with thrown object shielding removed.
- KEEP thrown object shielding in place and in good condition during operation. Thrown Objects shielding is subject to wear.
- REPAIR OR REPLACE shielding if damaged, broken or missing. See Operator's Manual for all Shields and Guards.
- INSPECT area for potential mower thrown object hazards before mowing.
- Remove and AVOID objects such as wire, cable, metal objects and all other foreign material.
- DO NOT ALLOW blades to contact solid objects like wire, rocks, posts, curbs or guard rails.
- DO NOT OPERATE without front protective door.

⚠ DANGER

ENTANGLEMENT HAZARD

TO AVOID DEATH OR SERIOUS INJURY:

- DO NOT operate without guards in place and in good condition. Thrown objects shielding, hydraulic hose guards and hydraulic hose sleeves are SUBJECT TO WEAR.
- STAY AWAY and KEEP hands, feet and body AWAY from rotating blades, drivelines and parts that continue to move after power shut-off. WAIT until all moving elements have stopped.
- ALWAYS REPLACE GUARDS that have been removed for service or maintenance.
- STOP, LOOK and LISTEN for rotating motion before approaching implement.



Shields

⚠ DANGER



Run Over Hazard - Death or Injury

TO AVOID DEATH OR SERIOUS INJURY:

- ALWAYS BUCKLE UP seat belt.
- ONLY START Tractor while seated in the operator's seat.
- STOP ENGINE and PTO, engage parking brake, lower implement, allow all moving parts to stop and remove key before dismounting from tractor.
- KNOW HOW to stop tractor and equipment quickly for an emergency.
- DO NOT MOUNT or DISMOUNT Tractor in motion.
- NEVER ALLOW riders on tractor or implement.
- NEVER ALLOW children to operate or ride on tractor or implement.
- KEEP BYSTANDERS CLEAR of area before moving tractor or implement.
- KEEP ALERT and AVOID hitting stumps, holes, ruts, and uneven terrain.
- AVOID tree limbs, brush and other overhanging objects that can strike and throw the operator from seat.

⚠ DANGER

Crushing Hazard - Death or Injury

TO AVOID DEATH OR SERIOUS INJURY:

- USE tractor equipped with Rollover Protective Structure ("ROPS") including roll bar and seat belt. Keep roll bar in raised position. D679_3
- STAND CLEAR when removing transport latch, lowering or raising wings.
- IMPLEMENT CAN FALL from hydraulic failure or accidental operation of controls.
- BLOCK UP and securely support equipment before putting hands, feet or body under raised equipment or lifted components.



⚠ DANGER



TO AVOID DEATH OR SERIOUS INJURY:

- READ AND UNDERSTAND the provided Operator's Manuals, safety signs and information decals for tractor and implement before operating equipment.
- CONTACT DEALER immediately if you do not have manuals.
- CONTACT DEALER to explain any instructions not fully understood.
- ALWAYS WEAR safety glasses with side shields (marked to comply with ANSI Z87).
- WEAR hard hat, safety shoes and gloves for protection when operating equipment.

www.algqr.com/bpm

D1094

⚠ DANGER

THROWN OBJECT HAZARD

TO AVOID DEATH OR SERIOUS INJURY:

DO NOT OPERATE if Thrown Object Shielding is damaged or missing.

MAINTAIN Thrown Object Shielding

HERE



D614

⚠ DANGER



TO AVOID DEATH OR SERIOUS INJURY FROM ROTATING PARTS:

- STOP, LOOK and LISTEN for rotating motion before approaching implement.
- STAY AWAY and KEEP hands, feet and body AWAY from rotating parts until all moving elements have stopped.
- DO NOT operate if shields are damaged or missing.

D1095

⚠ DANGER

THROWN OBJECT HAZARD

SKID STEER MUST BE EQUIPPED WITH AN OPERATOR FRONT PROTECTIVE DOOR & PROTECTIVE FRONT WINDSHIELD.

TO AVOID DEATH OR SERIOUS INJURY:

- DO NOT OPERATE without front protective door or protective windshield.
- Contact authorized dealer for protective door.



00776609

⚠ DANGER



GUARD MISSING

To Avoid Death Or Serious Injury Do Not Operate

D546

Safety Decal Information

⚠ DANGER



THROWN OBJECTS HAZARD

Brush Cutter can throw objects up to 300 feet. **TO AVOID DEATH OR SERIOUS INJURY to operator or bystanders:**

- STOP mowing if bystanders or traffic come within 300 feet.
- DO NOT OPERATE with thrown object shielding removed.
- KEEP thrown object shielding in place and in good condition during operation. Thrown Objects shielding is subject to wear.
- REPAIR OR REPLACE shielding if damaged, broken or missing. See Operator's Manual for all Shields and Guards.
- INSPECT area for potential brush cutter thrown object hazards before mowing.
- Remove and AVOID objects such as wire, cable, metal objects and all other foreign material.
- DO NOT ALLOW blades to contact solid objects like wire, rocks, posts, curbs or guard rails.
- DO NOT OPERATE without front protective door.

⚠ DANGER

ENTANGLEMENT HAZARD

TO AVOID DEATH OR SERIOUS INJURY:

- DO NOT operate without guards in place and in good condition. Thrown objects shielding, hydraulic hose guards and hydraulic hose sleeves are SUBJECT TO WEAR.
- STAY AWAY and KEEP hands, feet and body AWAY from rotating blades, drivelines and parts that continue to move after power shut-off. WAIT until all moving elements have stopped.
- ALWAYS REPLACE GUARDS that have been removed for service or maintenance.
- STOP, LOOK and LISTEN for rotating motion before approaching implement.



Shields

⚠ DANGER



Run Over Hazard - Death or Injury

TO AVOID DEATH OR SERIOUS INJURY:

- ALWAYS BUCKLE UP seat belt.
- ONLY START Tractor while seated in the operator's seat.
- STOP ENGINE and PTO, engage parking brake, lower implement, allow all moving parts to stop and remove key before dismantling from tractor.
- KNOW HOW to stop tractor and equipment quickly for an emergency.
- DO NOT MOUNT or DISMOUNT Tractor in motion.
- NEVER ALLOW riders on tractor or implement.
- NEVER ALLOW children to operate or ride on tractor or implement.
- KEEP BYSTANDERS CLEAR of area before moving tractor or implement.
- KEEP ALERT and AVOID hitting stumps, holes, ruts, and uneven terrain.
- AVOID tree limbs, brush and other overhanging objects that can strike and throw the operator from seat.

⚠ DANGER

Crushing Hazard - Death or Injury

TO AVOID DEATH OR SERIOUS INJURY:

- USE tractor equipped with Rollover Protective Structure ("ROPS") including roll bar and seat belt. Keep roll bar in raised position.
- STAND CLEAR when removing transport latch, lowering or raising wings.
- IMPLEMENT CAN FALL from hydraulic failure or accidental operation of controls.
- BLOCK UP and securely support equipment before putting hands, feet or body under raised equipment or lifted components.



⚠ DANGER



www.algqr.com/bpm

TO AVOID DEATH OR SERIOUS INJURY:

- READ AND UNDERSTAND the provided Operator's Manuals, safety signs and information decals for tractor and implement before operating equipment.
- CONTACT DEALER immediately if you do not have manuals.
- CONTACT DEALER to explain any instructions not fully understood.
- ALWAYS WEAR safety glasses with side shields (marked to comply with ANSI Z87).
- WEAR hard hat, safety shoes and gloves for protection when operating equipment.

D1117

⚠ DANGER

THROWN OBJECT HAZARD

TO AVOID DEATH OR SERIOUS INJURY:

- DO NOT OPERATE if Thrown Object Shielding is damaged or missing.
- Do not tilt implement down to a level where the blade is exposed to the operator below the chain guard.

MAINTAIN Thrown Object Shielding

HERE



D1118

⚠ DANGER

THROWN OBJECT HAZARD

TO AVOID DEATH OR SERIOUS INJURY OR THROWN OBJECTS:

- STAY AWAY and KEEP hands, feet and body away from rotating blades.
- WAIT until all moving elements have stopped
- Keep Bystander Back 200 feet when operating.



D1104

⚠ DANGER KEEP BACK 300 FEET!

D1119

⚠ DANGER

KEEP BACK 300 FEET!

D1096



Safety Decal Information

⚠ WARNING

Implement weight is 1500 lbs.

TO AVOID DEATH OR SERIOUS INJURY DURING TRANSPORTATION AND OPERATION:

- ALWAYS BUCKLE UP seat belt.
- ONLY USE Skid Steer loaders with appropriate rated hitch and adapter.
- DO NOT Raise implement above 3 feet.
- REDUCE SPEED on inclines, in turns and in poor weather conditions.
- DO NOT lift implement while on steep slopes.
- Transport at low speeds.

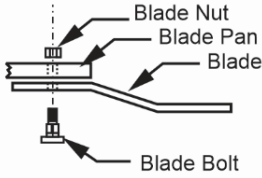




D676_1

⚠ WARNING

TO AVOID DEATH OR SERIOUS INJURY FROM BLADE ATTACHMENT FAILURE:

- Torque blade bolt to 775 ft lbs.
- ALWAYS replace blades in pairs.
- ALWAYS replace blades with new bolts and nuts.



D1100

⚠ WARNING

TO AVOID EQUIPMENT AND GRASS FIRES:

- CLEAR AWAY grass or debris from hydraulic lines, circuits and decks.

TO AVOID FIRE IGNITION:


- DO NOT ALLOW BLADES TO CONTACT rocks, metal or solid objects.
- DO NOT ALLOW OIL TO SPRAY on hot equipment or components.



D676_2

D676

BLADE ROTATION



⚠ WARNING





TO AVOID DEATH OR SERIOUS INJURY FROM HIGH PRESSURE HYDRAULIC OIL LEAKS PENETRATING SKIN:

- DO NOT OPERATE equipment with oil or fuel leaks.
- KEEP all hydraulic hoses, lines and connections in good condition and tight before applying system pressure.
- Relieve hydraulic pressure before disconnecting lines or working on the system.
- REMOVE and replace hose if you suspect it leaks. Have dealer test it for leaks.

HIGH PRESSURE FLUID LEAKS CAN BE INVISIBLE. WHEN CHECKING FOR HYDRAULIC LEAKS AND WORKING AROUND HYDRAULIC SYSTEMS:

- DO NOT use hands to check for leaks.
- ALWAYS WEAR safety glasses with side shields (marked to comply with ANSI Z87) and impenetrable gloves.
- USE paper or cardboard to search for leaks.
- KEEP hands and body AWAY from pin holes and nozzles ejecting hydraulic fluid.
- Hydraulic fluid may cause gangrene if not surgically removed immediately by a doctor familiar with this form of injury.

D617

⚠ WARNING

AVOID PINCH POINTS THAT CAN RESULT IN SERIOUS INJURY

D623




⚠ WARNING

TO AVOID DEATH OR SERIOUS INJURY:

- ONLY use genuine Bush Hog replacement parts, which have been validated and tested to use on Bush Hog equipment by the manufacturer.
- The equipment manufacturer cannot verify the material or structural integrity of third-party supplied non-genuine replacement parts.
- Using non-genuine parts can result in the part failing, creating hazardous conditions for operator and bystanders.

Contact local dealer or Bush Hog about repair parts at:
2501 Griffin Ave., Selma, AL 36701
Customer Service: 800-363-6096
Email: contactus@bushhog.com www.algqr.com/bpm




⚠ WARNING
Cancer and Reproductive Harm
www.P65Warnings.ca.gov

IMPORTANT

BE AWARE BE ALERT BE ALIVE Before Operating this Mower

BE TRAINED



To prevent serious injury to yourself and/or bystanders, be trained in Safe Mowing Practices. Alamo Group Companies as well as AEM and FEMA provide training material that is critical for your Safety and the Safety of others when operating this equipment. Make these Safety Procedures an important part of every workday. Read and understand the Operator's Manual.

Do not let untrained individuals operate this equipment. Contact your Dealer, AEM (www.aem.org), FEMA (314-878-2304, www.FarmEquip.org), or Alamo Group (www.Alamo-Group.com) for information on training material or courses that provide training in Safer Operating Practices for Mowers.

D559

Dealer Instructions / Purchaser

Checklist

The checklist below is important information for the Dealer to review with the Purchaser.

SAFETY OPERATIONS CHECKLIST

<input type="checkbox"/> Explain and alert buyer of High Flow motor and case drain - if applicable.
<input type="checkbox"/> Explain and demonstrate operation of the Bush Hog attachment.
<input type="checkbox"/> Explain and demonstrate inspection points and frequency; including nuts, bolts, blades, hoses, etc.
<input type="checkbox"/> Review the Owner/Operator Manual Safety Instructions.
<input type="checkbox"/> Alert buyer not to remove safety devices or decals.
<input type="checkbox"/> Advise buyer that all safety decals are available upon request.

Dealer Information

Dealer Company Name

Technician Name

City **State/Province/ Region**

BUSH HOG
2501 Griffin Ave
Selma, AL 36703
Phone: 334-874-2774
Fax: 334-874-3248

WARRANTY INFORMATION:

A Warranty claim must be completed in full detail and submitted by an authorized Bush Hog dealer. Bush Hog limits its warranty to the hydraulic motor for eighteen (18) months and the gearbox for a period of one (1) year from the original date of sale. A three (3) year warranty is included on the structural steel from the date of sale.

It is important that the dealer register this equipment at the time of sale. This will ensure no issues should a warranty claim ever need to be filed. If a defect in a Bush Hog product is discovered during the applicable warranty period, Bush Hog will repair or replace, at its discretion the motor, gearbox or defective part. Bush Hog purchased components are subject to the original manufacturer's warranty.

The equipment owner is responsible for proper maintenance. If the product is not maintained, all warranties by Bush Hog will be null and void. Any modification to the product other than those made by Bush Hog will cause this warranty to be void; including any modification or disassembly of motors, gearbox, etc.

This warranty does not extend to repairs, adjustments, or replacement of a Bush Hog or part that results from misuse, negligence, alteration, modification, tampering, improper maintenance or improper operation of the product. Claims submitted must be legible and in good condition. Bush Hog does not cover service mileage, downtime or replacement of the attachment.

If a problem arises during the warranty period please contact your local dealer. The warranty is null and void if the product is modified or repaired without written consent from Bush Hog. Bush Hog units used in rental fleets are covered with a ninety (90) day warranty on the hydraulic motor, gearbox, and structural steel with a valid warranty registration on file within thirty (30) days of the purchase date.

To file a warranty claim, please contact your dealer.



**BCSS SERIES
SKID STEER BRUSH CUTTER**