

TRANSFER AUGERS



AGI Westfield Transfer Augers

AGI Westfield Transfer Augers have a simple design, are balanced for easy moving and have multiple capacities to match your needs.



Transfer augers are available in 8" and 10" diameters with option of gas, electric or hydraulic drive. These low profile transfers are just 10 3/4" high and are light and manoeuvrable. The hopper fits nicely under hopper bottom bins and trailers for fast and easy unloading.

Electric Drive available on 8" and 10" and features a heavy-duty motor mount with enclosed belt guard, belts and pulley*.

Electric HP requirements 8" 3HP | 10" 5HP

Hydraulic Drive shipped complete with hydraulic control valve. 8" Single Drive hydraulic transfer requires 10GPM at 650PSI 10", Double Drive hydraulic transfer requires 10GPM at 1000PSI.

Gas Drive available on 8" and 10". Features heavy-duty engine mount with adjustable belt tension for engaging and disengaging auger while motor is running. Shipped complete with enclosed belt guard, reduction gearbox, belts and pulley*.

Motor Requirements 8" - 5.5HP | 10" - 7.5 HP

All transfers are shipped complete with undercarriage.

*Motor and motor pulley not included.



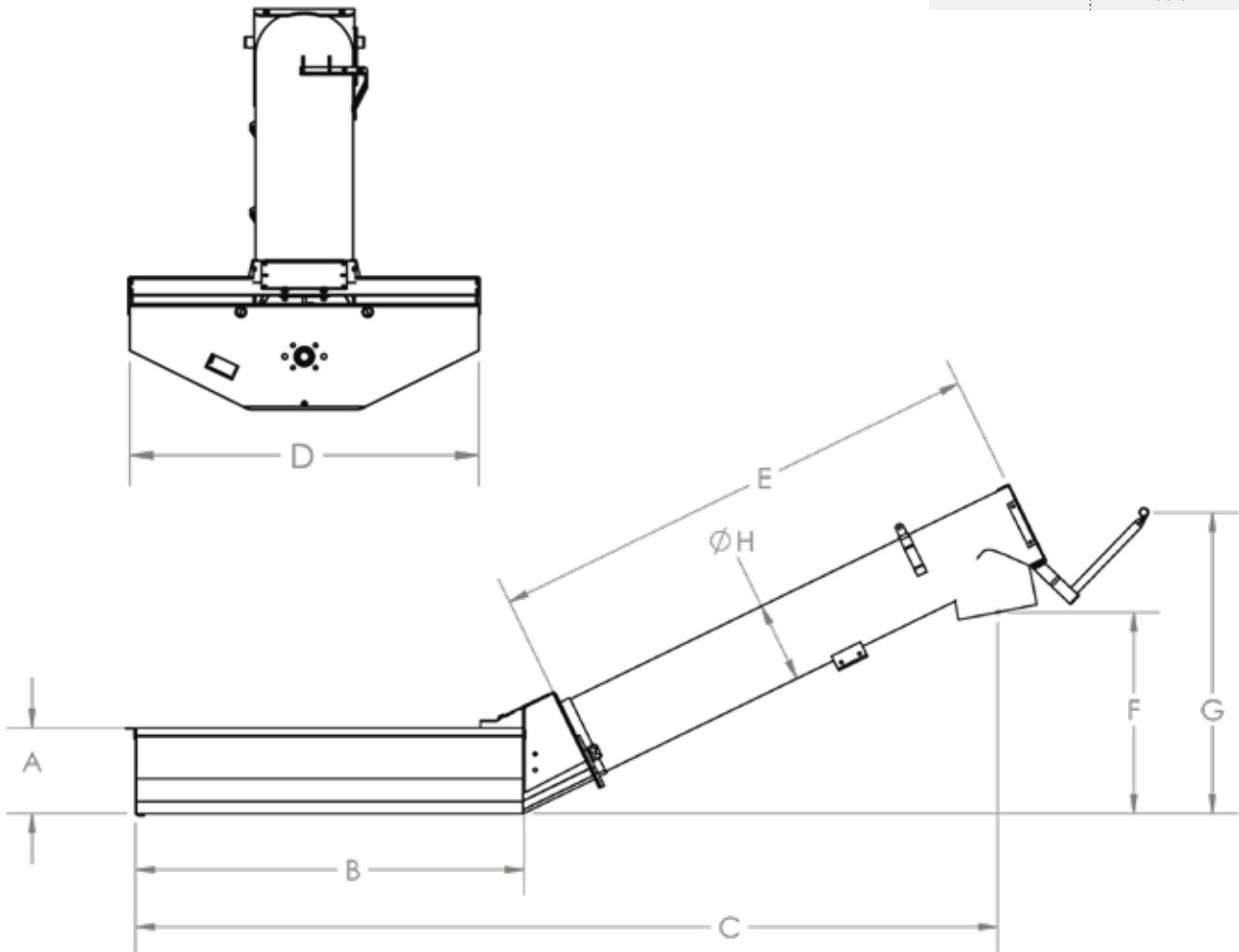
It's not an ordinary auger...
It's a Westfield

SPECIFICATIONS & FEATURES

	HOPPER HEIGHT A	HOPPER LENGTH B	TOTAL LENGTH C	HOPPER WIDTH D	TUBE LENGTH E	SPOUT HEIGHT F	HANDLE HEIGHT G	TUBE DIAMETER H	ELEC. HP REQ	GAS HP REQ	HYD. REQ.
8" VERSION	10 3/4"	48"	105"	35 3/4"	60"	25 5/8"	36 5/8"	8"	3HP	5.5HP	10GPM, 650PSI
10" VERSION	10 3/4"	48"	105"	35 3/4"	60"	25"	37 1/2"	10"	5HP	7.5HP	10GPM, 1000PSI
			8" ELEC.	8" HYD.	8" GAS	10" ELEC.	10" HYD.	10" GAS			
WEIGHT WITH DRIVE			365lb	237lb	335lb	410lb	285lb	395lb			
WEIGHT, NO DRIVE			275lb	*****	300lb	310lb	*****	320lb			

Disclaimer: These augers were proudly designed to handle dry, free-flowing grains up to a maximum density of 65 lb/bu (52 lb/cf). Any usage of these augers outside of this is not authorized.

	HANDLE FORCE TO BALANCE
8" ELEC.	40lb
8" HYD.	16lb
8" GAS	26lb
10" ELEC.	45lb
10" HYD.	32lb
10" GAS	30lb





WESTFIELD is an AGI Brand.

AGI is a leading provider of equipment solutions for agriculture bulk commodities including seed, fertilizer, grain, and feed systems with a growing platform in providing equipment and solutions for food processing facilities. AGI has manufacturing facilities in Canada, the United States, the United Kingdom, Brazil, India and Italy and distributes its products globally.

AGI WESTFIELD

Box 39, 74 Main Street, Rosenort, Manitoba, Canada R0G1W0
 1.866.467.7207 | aggrowth.com/westfield