

Hay Merger

MERGE MAXX®
MM 301



www.kuhn.com



Invest in Quality®

MERGE MAXX® MM 301

MAXIMUM PRODUCTIVITY AND PERFORMANCE

HIGH-QUALITY FORAGE

High-quality forage requires top-quality machinery. The cleanest and most efficient way to put up high-quality forage is with a pickup-style belt merger. KUHN mergers produce the fluffiest, easiest harvesting windrows which are ideal for today's powerful forage harvesters and balers.

SIMPLE TO USE

The KUHN MM 301 hay merger is designed for easy use and simple adjustments. Ultimately, this makes you more efficient in your crop harvesting, while keeping your forage cleaner than any other crop gathering system.

MULTIPLE WINDROW OPTIONS

From narrow windrows to wide swaths, the MM 301 offers a broad range of merging options to best match different harvesting practices and field conditions.

LONG-TERM VALUE

The MM 301 is built to last and will provide you with years of low maintenance operation. Heavy-duty designs will increase your peace of mind and protect the machine's resale value.

HAY MERGERS

MM 301
in brief

Model	Pickup Width	Transport Width	Horsepower Requirement
MM 301	9'10" (2.7 m)	12'6" (3.8 m)	50 hp (37 kW)



THE DIFFERENCE IS CONTROL

Cutting-Edge Merge Maxx® Hay Merger

When it comes to merging crop, a tough, durable pickup that operates in varying conditions is the first and most critical step. Merge Maxx pickups are designed to be the most dependable whether merging fine, delicate legumes, thick, heavy grass or anything in between. Outstanding flotation and a heavy-duty design makes merging a simple and low-maintenance job.



HIGH-CAPACITY PICKUPS

The MM 301 features a commercially designed pickup that treats crop gently, yet is designed and tested for extreme use. The dual-cam design with large-diameter, heavy-duty sealed cam followers provides long life even in the toughest conditions.



SPLIT BEARING DESIGN

The two-piece poly tine bar bearing greatly simplifies periodic maintenance. Unlike competitive machines, which must remove tine bars and tines to replace worn bearings, the split design allows you to replace the bearing in under one minute. Additionally, bearing life is maximized and friction properties are minimized with a specially formulated bearing material. Split wear guards also protect the high strength alloy tine tubes.



HEAVY-DUTY CONVEYOR

The 15-degree angled conveyor provides a seamless transition for the crop as it comes off the pickup. This allows the full capacity of the belt to be utilized in addition to naturally inverting the crop upon discharge.



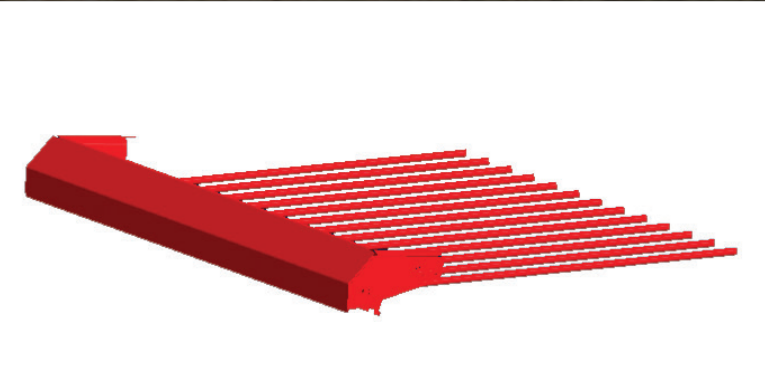
BELT TENSION

The conveyor belt is self-cleaning and requires no tracking adjustment. The quick-release tensioning system simplifies storage and maintenance.



MM 301 STANDARD WINDGUARD

This standard curved windguard greatly helps create fluffy well-formed windrows by keeping crop close to the pickup and delivering it to the center of the belt. This control smooths out crop bunching, resulting in improved harvester efficiency. Simple adjustment points on each end allow the operator to tailor the windguard to the exact crop type and volume.



MM 301 HIGH-CAPACITY WINDGUARD

The optional high-capacity windguard is tailored to operators who are merging higher volume crops such as ryegrass. The straight design of the windguard reduces any chance of plugging at high speeds. As with the standard curved windguard, you can easily adjust it to match your specific crop type and volume.



MERGE MAXX® MM 301

VERSATILITY HAS NEVER BEEN SO NATURAL

The KUHN MM 301 is the merger for you if you're looking for high performance and simple operation at an economical price. Designed to work with mower conditioners from 9' to 18' (2.7 - 5.5 m) of cutting width, this merger features a wide pickup and belt cross conveyor that can easily be shifted for ideal windrow placement. The windguard, exclusive in its class, evens out crop flow for superior windrow uniformity. Quickly merge two swaths into one in a single pass or three windrows into one in two passes for improved harvester efficiency.



OUTSTANDING FLOTATION

The floating pickup assembly follows the terrain, supported by large-diameter gauge wheels that set the pickup height. This maintains the tine height so that valuable forage is picked up and the crop stubble is protected.



SIMPLE DRAWBAR ATTACHMENT

Attaching directly to the tractor PTO, the self-contained hydraulic drive allows the merger to be operated by most tractors regardless of hydraulic capacities. The MM 301 also has steel hydraulic lines on the tongue for longer life and improved system performance.



EASY HYDRAULIC SYSTEM MAINTENANCE

The MM 301 includes a sight glass on the tongue to make it quick and easy to verify the oil level. Additionally, there is a pressure gauge to help operators determine if an oil filter change is necessary. To make routine maintenance even easier, a larger fill port reduces the time needed to refill the system during oil changes.

TAILORED TO YOUR OPERATION

Every operation is different — different crops, different mower conditioner widths, and different chopper and baler sizes. Optimize your MM 301 with optional features that best match your particular merging desires.



IN-CAB CONTROL TERMINAL

The optional electro-hydraulic controls manage merger functions on the go; fine-tune pickup speed, gather crop at end rows, shift the conveyor, and engage the optional extension, all conveniently from the tractor seat.

All of the following options require the in-cab control terminal.



ELECTRONIC VARIABLE PICKUP SPEED CONTROL

A manual valve is located on the machine for adjustment as needed. With the optional electronically controlled system, you can quickly and easily adjust the pickup speed from inside the cab on the go to perfectly match crop conditions. With this option you can maximize leaf retention, especially if merging drier legumes such as alfalfa.



CONVEYOR SIDE SHIFT

You can manually adjust the conveyor up to 2' (60 cm) to the right to match up with differing mowers and windrow widths. With the optional hydraulically controlled conveyor side shift, you can perform the same function without leaving the cab. This is especially useful if merging behind multiple cutting units of varying widths.



HYDRAULIC ON/OFF CONTROL

Create clean windrows with neat ends to maximize crop uptake and simplify the harvesting process. The simple, single-button control allows the belt to be disengaged quickly to keep the crop on the merger. The gathered crop can then be sent into the subsequent windrow when the belt is reengaged.



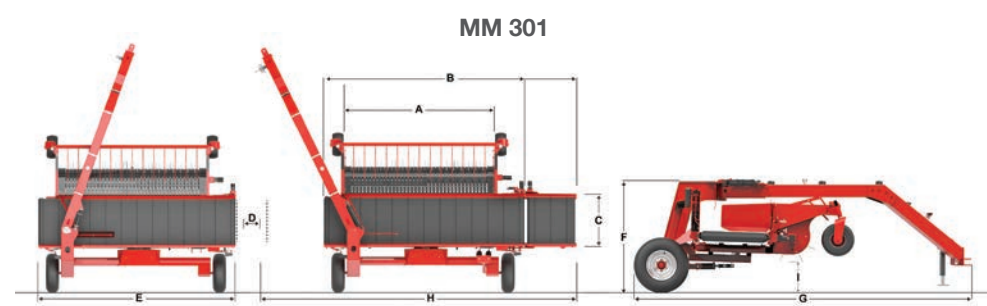
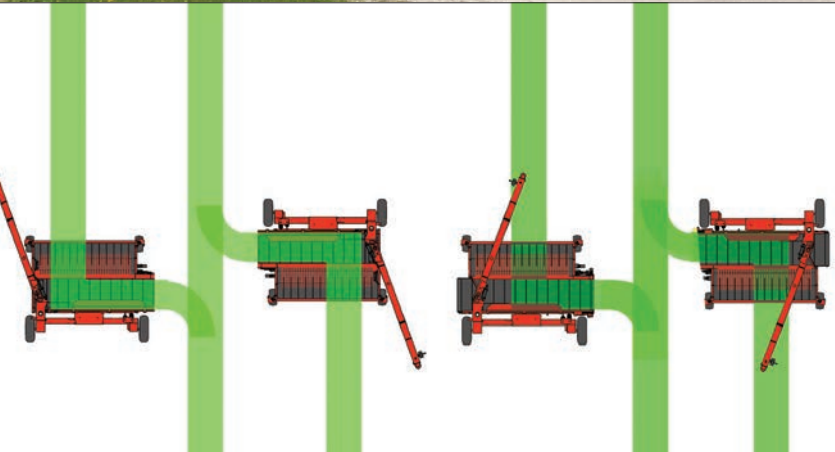
3' (91 CM) FOLDING CONVEYOR

The optional conveyor extension allows operation with mower conditioner cutting widths up to 18' (5 m). The extension automatically disengages when folded, while the main conveyor continues to operate.



MULTIPLE MERGING OPTIONS

The MM 301 can be operated directly behind the tractor, extended all the way to the right, or anywhere in between for compatibility with various sized mowers and mower conditioners.



Model Specifications

MM 301

SPECIFICATIONS

Working width	9' - 18' (2.7 - 5.5 m)
Number of pickups and conveyors	1
Pickup width	9'10" (3 m)
Conveyor length	12'6" (3.8 m)
Conveyor width	3' (1 m)
Discharge capability	Right
Pickup windguard	Standard
Hitch	Drawbar
Hydraulic tongue swing	Standard
Hydraulic header lift	Standard
Self-contained hydraulic drive	Standard
Pickup speed control	Manual, Optional Electrohydraulic
ON/OFF conveyor control without disengaging the pickup	Optional
Conveyor side shift	2' (6.1 m)
Transport width	12'6" (3.8 m)
Tires	9.5L X 15 (8-ply)
PTO speed	540 or 1,000 rpm
Minimum PTO power requirement	50 hp (37 kW)
Road lights and signaling	STANDARD
Required tractor electrical connections	1 SAE 7 pin light connection
Required tractor hydraulic connections	2 DA; no float valve required
Approximate machine weight	3,630 lbs (1,647 kg)
Pickup gauge wheels	18 X 8.5-8

GENUINE KUHN PARTS®

No part better fits a KUHN machine than an original KUHN part

Here at KUHN, we produce spare parts built to last in our very own foundries, our forges and our ultra-modern production facilities. You can trust in our longstanding know-how, based on almost two centuries of experience. With KUHN Parts, you can be assured of the highest quality parts and customer service in the agriculture equipment industry. Seven distribution centers, located strategically throughout North America, ensure that KUHN, KUHN Knight and KUHN Krause dealers have access to parts and assistance so you can get back in the tractor.

INVEST IN QUALITY®



COMPLEMENTARY PRODUCTS

MORE PRODUCTS TO MEET YOUR NEEDS

With over 700 models of equipment, we have the most complete implement line in the industry. Whether you have a small or large operation, we have a broad range of models and options to help fit your diverse needs.



1. Mowers
2. Mower Conditioners
3. Tedders
4. Balers
5. TMR Mixers
6. Manure Spreaders

MyKUHNS

THE LINK TO MY SUCCESS

www.mykuhn.com

For more information about your nearest KUHNS dealer and other KUHNS products, visit our website at www.kuhn.com



Visit our YouTube channel to watch our latest product videos.

KUHNS NORTH AMERICA, INC.

Corporate Headquarters
1501 West Seventh Avenue - Brodhead, WI 53520

Information given in this document is only for informational purposes and is non-contractual. Our machines are in compliance with North American safety standards. In our literature, and for improved illustration of certain details, some safety devices may not be in operating position. When operating these machines, these devices must be operated in accordance with the requirements indicated in the operator's manuals and assembly manuals. We reserve the right to change any designs, specifications or materials listed without further notice. Machines and equipment in this document can be covered by at least one patent and/or registered design. Trademarks cited in this document may be registered in one or several countries.

Your KUHNS dealer

www.kuhn.com

Find us on