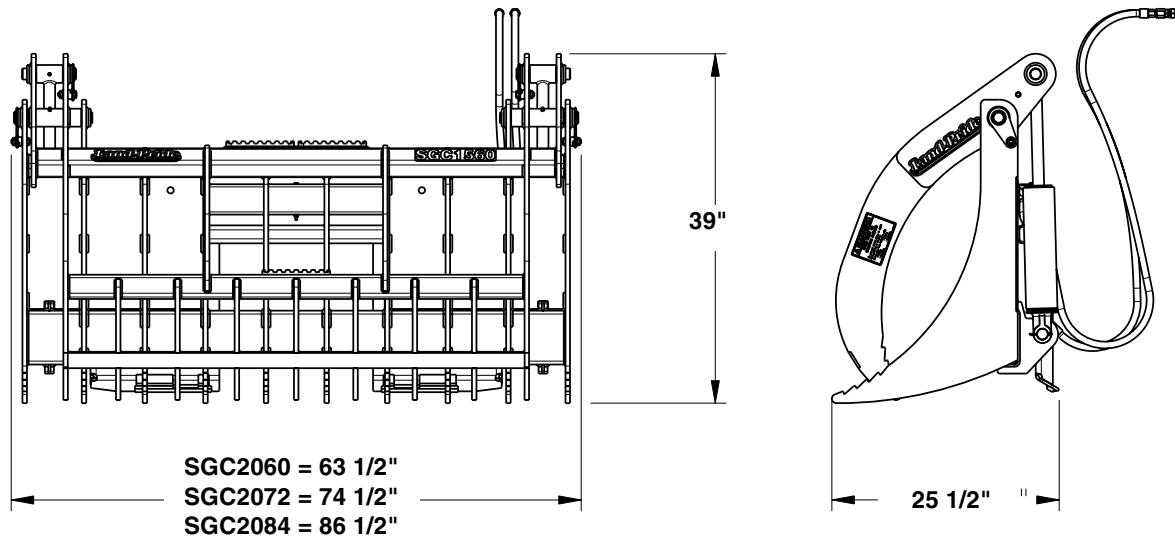


SGC20 Series

List	Specifications & Capacities		
Model Numbers	SGC2060	SGC2072	SGC2084
Weight	798 lbs.	895 lbs.	999 lbs.
Width	63 1/2"	74 1/2"	86 1/2"
Closed Height	38 15/16"	38 15/16"	38 15/16"
Number of Teeth	10 Bottom & 9 Top	12 Bottom & 11 Top	14 Bottom & 13 Top
Teeth Spacing	6"	6"	6"
Tooth Thickness	1/2"	1/2"	1/2"
Working Length of Teeth	14 3/4"	14 3/4"	14 3/4"
Hydraulic Cylinder	3" x 10" x 1 1/4" Rod	3" x 10" x 1 1/4" Rod	3" x 10" x 1 1/4" Rod



35197