

Large Capacity Industrial Series

9500 "CROP MAX" SPREADER



⚠ DANGER
FLYING MATERIAL
HAZARD
STAY CLEAR

MEYER
CROP MAX
Vertical

9524 / S200 Vertical



9520
Truck Mount / S100 Combination



9524 / S100 Combination



9530
Tridem / 36" Silage Side Extension



S-200 Vertical Pattern



S-100 Combination Pattern

Compost • Dry Feed Lot • Pen Packed • Sludge Products
Poultry Litter • Separator Solids • Digester Solids • More

Farm Equipment Buyers Trust The Name Meyer!





CR P MAX

REAR ATTACHMENT OPTIONS:

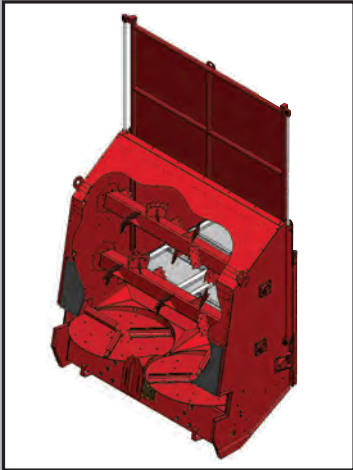
Both spreading attachments are direct driven to maintain consistent spread patterns beginning to end.

**No hydraulic stalls
or variations in rate!**

S-100

< Combination Expeller Design:

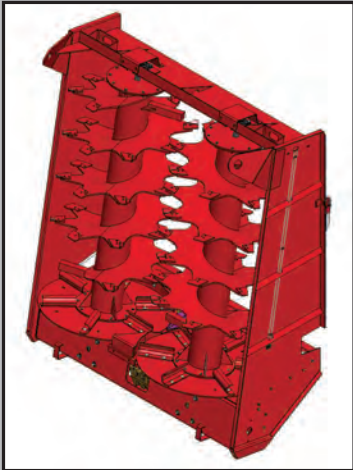
2 horizontal beaters pulverize material while 2 lower spinner disks disperse the solids. Patterns will be low and wide – up to 65'. Ideal for litter, lime products, compost, sludge or digester solids – any application where a lower application rate is desired. The attachment is capable of handling bedding pack as well. Recent upgrades to the S-100 increase performance & durability! (Guillotine Door is standard with the S-100)



S-200

< Massive, Dual Vertical Expeller Design:

44" diameter Verticals create an explosive 30-40' pattern. This versatile system has the ability to handle most types of manure, sludge and compost including frozen, dry feedlot and packed manure! The S200 is perfect when you have large volumes of manure solids that you wish to spread at a medium to heavy rate. (Swing-Arm Tailgate standard w/belt deflector & tailgate safety valve)



S-400

< Grain Hopper Attachment:

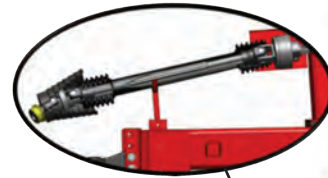
This unique attachment quickly installs on your Crop Max using the same quick-attach system as the spreading attachments. It utilizes a hopper concept, poly lined lower panels, adjustable lower grain door to regulate flow and includes apron speed functionality at the left/rear of the spreader. Pictured here with optional 36" silage extensions as well. These are a couple great ways to Multi-Purpose your Crop Max.



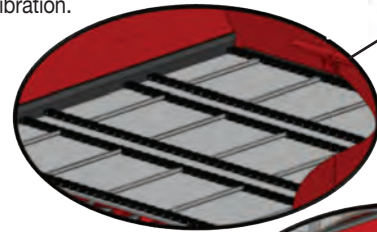
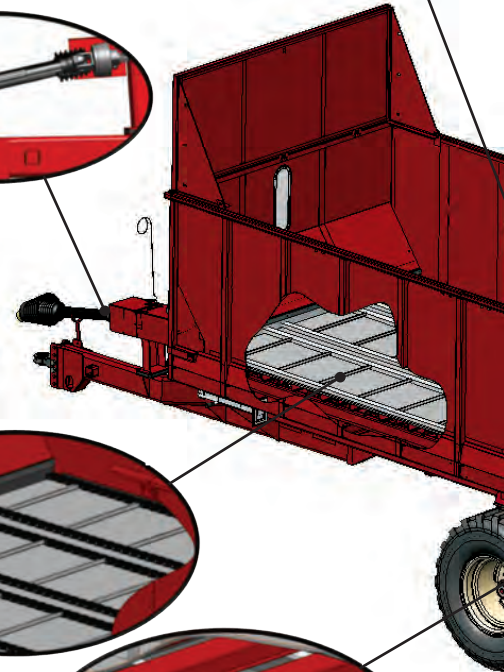
**ALL ATTACHMENTS ARE EASILY
REMOVABLE AND INTERCHANGABLE!**

FEATURES ON 9500

The Swing Arm Style Tailgate also features a Bypass Valve for your protection. The apron will not operate until the tailgate is in the fully open position. This feature protects your spreader and limits the hydraulic outlet requirements on your tractor!



The PTO Driveline features a standard constant velocity - 1 3/4" 20 spline yoke, over-running clutch and torque disconnect clutch to protect your expeller drive system. The pto bearing tower is rubber mounted to reduce vibration.



Solid-poly floor with Triple 667XH Aprons – 180,000# combined tensile! **Variable Speed Apron Drive** is Standard on all Models!



Massive formed channel floor supports. Only 7" gap between supporting crossmembers!



9530 with XTSSW4500 Tridem Trailer

This 3-axle trailer features a HD suspension axle system, standard with front & rear axle steering and hydraulic activated braking on all 6 wheels.

Attach
No-To
Unhooks ju



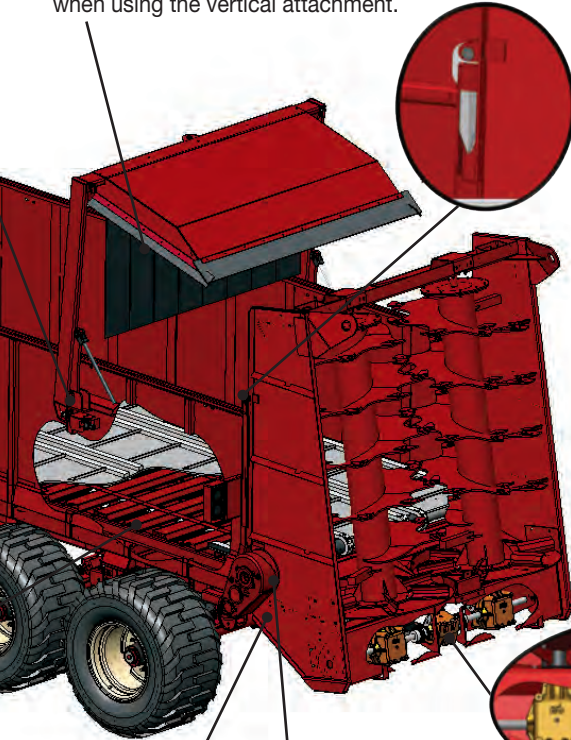
Optional Silage Extension Package

The wide profile of the "Crop Max" body makes this 36" Silage Extension a perfect fit for customers with silage to haul.

- utilizes spreader tailgate when equipped with swing-arm tailgate.
- top-pivot silage door available for spreaders equipped with guillotine door. (pictured with non-current eyebrow fenders)

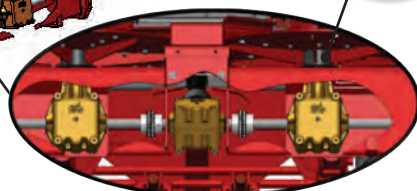
CROP MAX™ SPREADER

This **Belting Deflector** is standard equipment with the swing arm tailgate. It reduces kickback of rocks and frozen manure when using the vertical attachment.



Hinged Stake System for easy attachment removal. As you lift on the upper grab-tabs, the attachment hinges out and away as it lifts out of the stake pockets – SIMPLE & FAST!

A **Shock-Load Coupler System** is standard on S100 & S200 equipped units. This rubber isolator mounts between the gearbox output & your discharge expeller providing driveline protection from everyday stresses, adding life to your machine.

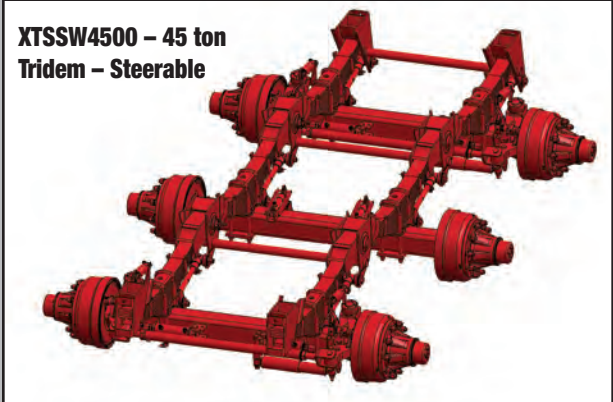


Massive Expeller Driveline features a center drive design for reduced stress (S-100 / S-200). Massive bevel gearboxes make others look small! Independent drive design doesn't share oil and contamination like competitive designs.



Attachment Driveline of disconnection! Just like a tractor PTO.

High-Efficiency hyd apron geardrive system. This gear-to-gear design is simple, strong and has no roller chains to maintain! It is outfitted with the **Meyer Hyd Variable Speed Control & PWM Valve.**



XTSSW4500 – 45 ton Tridem – Steerable

Wide-Track Suspension Style Trailers

XTSW2400 / HFX3000 / XTSSW4500 – 24, 30, 45 Ton Capacity Spring Suspensions – All Models / Oil Bath Hubs - 2400 & 3000

Tire options vary depending on model.

Sliding Axle System standard on HFX3000 (pictured below)
Fixed axle position on XTSSW2400 & XTSSW4500



HFX3000 – 30 Ton Tandem w/slider



Articulating Implement Hitch

- Standard on all Crop Max pull-type models.
- Ball Pivot rotates with your drawbar to minimize wear and stress!
- Requires hammerstrap drawbar w/1.5" or 2" pin.



9524 Truck Mount w/Silage Conversion
The "Crop Max" offers versatility and capacity the others just can't match!

Contact factory for truck requirements



Scale Packages Available

Maximize the Value of your Manure or Bi-product!
Robust weigh bar system joined with a simple scale for basic weight reading or take advantage of GPS and Variable Rate Alternatives (PWM Valve standard).

9500 "CROP MAX" - Specifications • Options

MODEL	9520 Pull Type	9520 Truck Mnt	9524 Pull Type	9524 Truck Mnt	9530 Pull Type	9530 Truck Mount
Box Inside Length	20'	20'	24'	24'	30'	30'
Overall Length	32' 5" w/XTS2400	24' 10" w/gearbox	36' 5" w/XTS3000	28' 10" w/gearbox	42' 5" w/XTS4500	34' 10" w/gearbox
Inside Width	90-3/4"	90 3/4"	90-3/4"	90 3/4"	90 3/4"	90 3/4"
Overall Width Box/Box w/Tires	104.5"/122.2" w/700/40x22.5	104.5"	104.5"/128.1" w/710/50Rx26.5	104.5"	104.5"/124.5" w/710/45x22.5	104.5"
Inside Height	47-1/2"	47 1/2"	47-1/2"	47 1/2"	47 1/2"	47 1/2"
Overall Height w/S-200	151.4" w/XTSW2400 w/700/40x22.5	100.5" + truck height	155.2" w/HFX3000 w/710/50Rx26.5	100.5" + truck height	1152.5" w/XTSSW4500 w/710/45x22.5	100.5" + truck height
Loading Height	112.8" w/trailer	63.5" + truck height	116.5" w/trailer	63.5" + truck height	113.8" w/trailer	63.5" + truck height
Capacity Struck/Heaped	600/755 Cu. Ft.	600/755 Cu. Ft.	720/925 Cu. Ft.	720/925 Cu. Ft.	900/1,180 Cu. Ft.	900/1,180 Cu. Ft.
Weight (approximate) w/S-200	17,340# est. w/700/40x22.5	12,300# est.	19,760# est. w/710/50Rx22.5	13,340# est.	28,800# est. w/710/45x22.5	14,617# est.
Horse Power Required-Min.	200 HP	300 HP + call factory	220 HP	350 HP + call factory	250 HP	400 HP + call factory
Apron Chains	D667XH/3-Aprons	D667XH/3-Aprons	D667XH/3-Aprons	D667XH/3-Aprons	D667XH/3-Aprons	D667XH/3-Aprons
Slats Per Apron	31/93 Per Box	31/93 Per Box	37/111 Per Box	37/111 Per Box	46/138 Per Box	46/138 Per Box
Apron Drive	Hydraulic - Variable	Hydraulic - Variable	Hydraulic - Variable	Hydraulic - Variable	Hydraulic - Variable	Hydraulic - Variable
Reversing Apron	Standard	Standard	Standard	Standard	Standard	Standard
Floor	Super Slide - Solid Poly	Super Slide - Solid Poly	Super Slide - Solid Poly	Super Slide - Solid Poly	Super Slide - Solid Poly	Super Slide - Solid Poly
Box Sides	Steel - 10 gauge	Steel - 10 gauge	Steel - 10 gauge	Steel - 10 gauge	Steel - 10 gauge	Steel - 10 gauge
Front 36" Folding Guard/Deflect	Standard	Standard	Standard	Standard	Standard	Standard
Transport Lights w/Cord	Standard	Std w/truck mount kit	Standard	Std w/truck mount kit	Standard	Std w/truck mount kit
Options:	9520 Pull Type	9520 Truck Mnt	9524 Pull Type	9524 Truck Mnt	9530 Pull Type	9530 Truck Mount
Rear Attach S-100/200/400	Optional	Optional	Optional	Optional	Optional	Optional
Silage Extension Pkg.	Optional 36"	Optional 36"	Optional 36"	Optional 36"	Optional 36"	Optional 36"
Scale Packages	Optional	Optional	Optional	Optional	Optional	Optional
Poly Fenders	N/A	Std w/truck mount kit	N/A	Std w/truck mount kit	N/A	Std w/truck mount kit
Poly Apron Return Liner	N/A	Optional	N/A	Optional	N/A	Optional

Rear Attachments:	S-100 / Combo	S-200 / Vertical	S-400 Grain Hopper
PTO Speed (RPM)	1000 RPM	1000 RPM	
Torque Disconnect Clutch Protection	Standard	Standard	Quick Detach Hopper
Shock Load Coupler	Standard	Standard	
Vertical Expeller Diameter	N/A	44"	
Flighting Thickness	N/A	1/2"	
Horizontal Beater	2 Standard	N/A	With Grain Door
Expeller/Beater Speed	400 RPM - Lower Disks	400 RPM	
Tips/Paddles-Replaceable	AR400	AR400	
Gate Style	Guillotine Style - Standard Swing Arm Style - Optional	Swing Arm Style	



S-100 Combination is the best choice, when low-rate, accurate applications are desired!

- Reinforced side frames for additional integrity
- Increased horizontal lower auger speed increases pulverizing action
- 2-stage lower beater paddles to tune the S-100 to your material
- Shock-Load rubber coupling system reduces driveline stress
- HD Cross-Channel at lower end of belt drape reduces particle size
- Outer expeller disk wrap enhances spread pattern

American Made - American Owned for 75 years

Trailers (pull type)	*For 9520* XTSW2400	*For 9524* HFX3000	*For 9530* XTSSW4500
Frame	Tubular Steel Frame	Tubular Steel Frame	Tubular Steel Frame
Capacity (trailer/spreader/load)	48,000#	60,000#	90,000#
Axle Configuration	Tandem - non steer	Tandem - non steer	Tridem - steerable F&R
	25,000# x 2	25,000# x 2	33,000# x 3
	Fixed Spring Suspension	Sliding Spring Suspension	Fixed Spring Suspension
Heavy Duty Hubs	Oil Bath - 10 Bolt	Oil Bath - 10 Bolt	Grease Filled - 10 Bolt
Articulating Implement Hitch	Std. - Requires 1.5 or 2" pin Hammerstrap style hitch	Std. - Requires 1.5" or 2" pin Hammerstrap style hitch	Std. - Requires 1.5" or 2" pin Hammerstrap style hitch
Poly Fender Liner	Standard	Standard	Standard
Steel Fender Flares	Optional	Optional	Optional
Tire Options:	700/40x22.5 high floatation	710/50Rx26.5 high floatation	710/45Rx22.5 high floatation
	425/65x22.5 new truck tires		710/50Rx26.5 high floatation
	11Rx22.5 new, dual truck tires		
Brakes (air, hyd or foot pedal)	Optional	Optional	Standard-no air option
Safety Chain/SMV	Optional	Optional	Optional
Tracks in Lieu of Tires	Call for pricing	Call for pricing	Call for pricing

YOUR DEALER IS:

Model & Specifications subject to change without notice or obligation.



Farm Equipment Buyers Trust The Name Meyer!

Meyer Mfg. Corp. • Dorchester, Wisconsin 54425 • 715/654-5132 • FAX: 715/654-5513

1-800-325-9103

email: sales@meyermfg.com • home page: www.meyermfg.com

