

Farm King

OPERATOR AND PARTS MANUAL

Finishing Mower

Model 555, 655 & 755

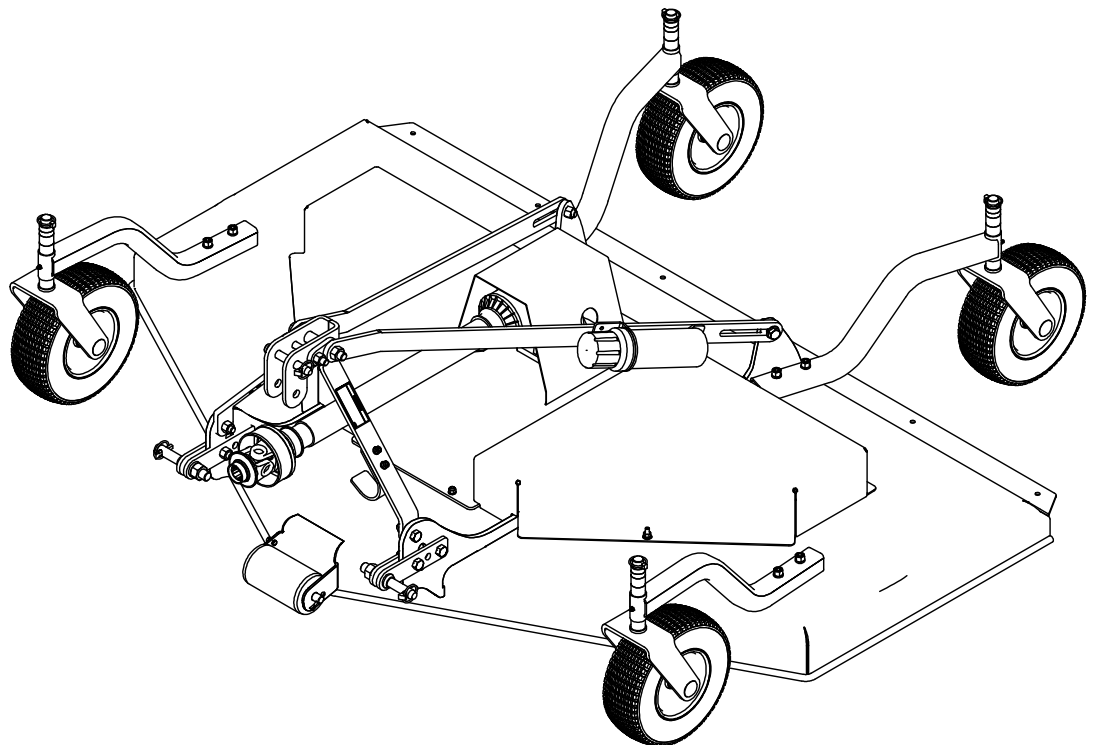


Table of Contents

Introduction5

Safety.....6

- Safety Instruction6
- General Safety7
- Start-up Safety7
- Operation Safety7
- Transport Safety7
- Service and Maintenance Safety8
- Storage Safety8
- Safety Signs8
- Installation8
- Decal Location9
- Decal List 11

Start-Up..... 12

Operation 13

- Connecting to Tractor 13
- Field Operation..... 14
- Disconnecting from Tractor..... 14
- Theory of Operation 15

Maintenance 16

- Mower Gearbox Lubrication 16
- Mower Axle Lubrication 16
- Blade Replacement 17
- Blade Height Adjustment 17
- V-Belt Maintenance 17
- Service Notes 18

Bolt Torque 19

- Checking Bolt Torque 19

Parts Drawings.....20

- Axle Drawing20
- Axle Parts List.....21
- Deck Drawing22
- Deck Parts List23

• Belt Drawing.....	25
• Front Roller Drawing.....	26
• Front Roller Parts List.....	27
• Spindle Drawing	28
• Spindle Parts List	29
• Hitch Drawing.....	30
• Hitch Parts List.....	31
• Chain Kit Drawing.....	32
• Chain Kit Parts List.....	33
• PTO Drawing and Parts List.....	34
• Gearbox Drawing and Parts List.....	35
Shipping Kit and Bundle Numbers	36
Suggested Service Parts Stock	37
Warranty	38

Manufacturer's statement: for technical reasons Buhler Industries Inc. reserves the right to modify machinery design and specifications provided herein without any preliminary notice. Information provided herein is of descriptive nature. Performance quality may depend on soil fertility, applied agricultural techniques, weather conditions and other factors.

Introduction

Farm King has been building top quality finishing mowers for 20 years and has refined these mowers to be among the best in the industry. Manufactured with top quality material, the edge of the mower deck features solid reinforcing rods. These heavy-duty finishing mowers are Farm King Quick Hitch compatible and are available in widths ranging from 48" to 84".

Each mower features three high-speed blades with one of the highest rated tip-speeds in the industry. This creates powerful suction that lifts the grass for a crisp cut. A blade overlap prevents stripping and ensures the lawn is mowed evenly.

Farm King Heavy-duty Finishing Mowers are built to be durable and long lasting. Pneumatic tires with puncture proof sealant are standard. Each wheel yoke assembly includes a cutting height adjustment on the 1" (25 mm) wheel yoke shaft. Bushings in the wheel hubs ensure long-term reliability without needing frequent lubrication.

Keep this manual handy for frequent reference. All new operators or owners must review the manual before using the equipment and at least annually thereafter. Contact your Farm King Dealer if you need assistance, information, or additional copies of the manual. Visit our website at www.farm-king.com for a complete list of dealers in your area.

The directions left, right, front and rear, as mentioned throughout this manual, are as seen facing in the direction of travel of the implement.

Safety

Safety Instructions

Remember, YOU are the key to safety. Good safety practices not only protect you, but also the people around you. Make these practices a working part of your safety program. Be certain that everyone operating this equipment is familiar with the recommended operating and maintenance procedures and follows all the safety precautions. Most accidents can be prevented. Do not risk injury or death by ignoring good safety practices.

The alert symbol is used throughout this manual. It indicates attention is required and identifies hazards. Follow the recommended precautions.



The safety alert symbol means...
ATTENTION! BECOME ALERT! YOUR SAFETY IS INVOLVED!



CAUTION

The caution symbol indicates a potentially hazardous situation that, if not avoided, may result in minor or moderate injury. It may also be used to alert against unsafe practices.



WARNING

The Warning Symbol indicates a potentially hazardous situation that, if not avoided, could result in death or serious injury, and includes hazards that are exposed when guards are removed. It may also be used to alert against unsafe practices.



DANGER

The Danger Symbol indicates an imminently hazardous situation that, if not avoided will result in death or serious injury. This signal word is to be limited to the most extreme situations, typically for machine components that, for functional purposes, cannot be guarded.

General Safety Instructions

- Have a first-aid kit available for use and know how to use it. Have a fire extinguisher available, stored in a highly visible location, and know how to use it.
- Wear appropriate protective gear. This list may include but is not limited to:
 - hard hat
 - protective shoes with slip resistant soles
 - protective glasses or goggles
 - heavy gloves
 - wet weather gear
 - hearing protection
 - respirator or filter mask
- Read and understand the Operator's Manual and all safety signs before operating, servicing, adjusting, repairing, or unplugging the equipment.
- Do not attempt any unauthorized modifications to your Farm King product as this could affect function or safety, and could affect the life of the equipment.
- Never start or operate the mower except from the operator's station on the power unit.
- Inspect and clean the working area before operating.
- Keep hands, feet, clothing, and hair away from moving parts.
- Ensure bystanders are clear of the area before operating.

Start-up Safety

- Do not let inexperienced operators or children run this equipment.
- Place all tractor and machine controls in neutral before starting.
- Operate only with ROPS and seatbelt equipped tractors.
- Do not operate inside a building unless there is adequate ventilation.
- Ensure all shields are in place and in good condition before operating.
- Stay clear of PTO shaft and machine when engaging PTO.

Operation Safety

- Do not permit riders.
- Do not wear loose fitting clothing during operation.
- Never operate over 540 PTO rpm speed.
- Never operate the equipment in the raised position.

Transport Safety

- Review Transport Safety instructions in tractor manual before moving.
- Check with local authorities regarding transport on public roads. Obey all applicable laws and regulations.
- Make sure the SMV (Slow Moving Vehicle) emblem and all the lights and reflectors that are required by the local highway and transport authorities are in place, are clean, and can be seen clearly by all overtaking and oncoming traffic.
- Never have the equipment in operation during transport.
- Always travel at a safe speed.
- Inflate transport tires to recommended pressure.

Service and Maintenance Safety

- Stop engine, set brake, remove ignition key, and wait for all moving parts to stop before servicing, adjusting, repairing, or unplugging.
- Support the equipment with blocks or safety stands before working beneath it.
- Follow good shop practices including:
 - keep service area clean and dry
 - be sure electrical outlets and tools are properly grounded
 - use adequate light for the job.
- Use only tools, jacks, and hoists of sufficient capacity for the job.
- Replace and secure all shields removed during servicing before operating.
- Use heavy leather gloves to handle sharp objects.
- Failure to follow proper procedures when mounting a tire on a wheel or rim can produce an explosion, which may result in serious injury or death.

Storage Safety

- Store the unit in an area away from human activity.
- Do not permit children to play on or around the stored machine.
- Support the frame on stands and blocks to provide a secure base.

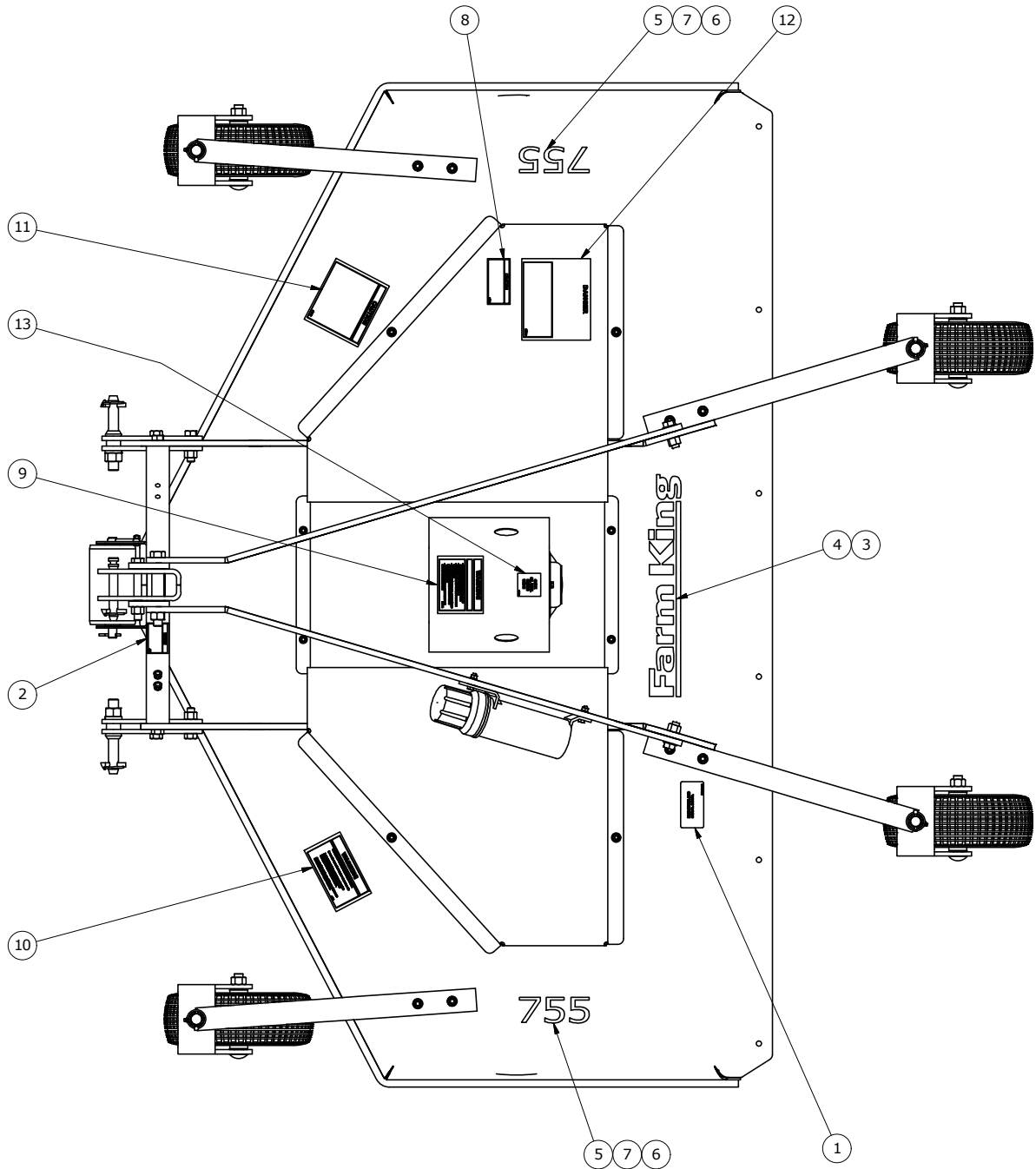
Safety Signs

- The following illustration shows the approximate location and detail of safety signs.
- Keep all safety signs clean and legible and replace any that are damaged or missing.
- When original parts are replaced, any safety signs affixed to those parts should be replaced as well. Replacement safety signs are available from your local dealer.

Installation

- To install safety signs, ensure the installation area is clean and dry. Decide on the exact position before you remove the backing paper. Remove the smallest portion of the split backing paper and align over the specified area. Carefully press in place.
- Slowly peel back the remaining paper and smooth the remaining portion in place. Small air pockets can be pierced with a pin and smoothed out.
- Replace safety signs immediately should they become damaged, torn or illegible. Obtain replacements from your authorized dealer using the part numbers shown.

Decal Location



NOTE:

1. DECAL PLACEMENT CHANGES DEPENDING ON MOWER SIZE.

 **CAUTION**

- READ OPERATOR'S MANUAL BEFORE USING.
- ONLY TRAINED, COMPETENT PERSONS SHALL OPERATE THIS EQUIPMENT.
- KEEP ALL SHIELDS IN PLACE.
- KEEP HANDS, FEET, CLOTHING AND HAIR AWAY FROM MOVING PARTS.
- STOP ENGINE, SET BRAKE, REMOVE KEY AND WAIT FOR ALL MOVING PARTS TO STOP BEFORE SERVICING, ADJUSTING, REPAIRING AND UNPLUGGING.
- REMOVE BYSTANDERS, ESPECIALLY CHILDREN, BEFORE STARTING OR WHILE OPERATING.
- BLOCK UP BEFORE WORKING BENEATH UNIT.
- LOWER THE MOWER WHEN PARKING OR STORING.
- REVIEW SAFETY INSTRUCTIONS ANNUALLY.

11 966703


 **DANGER**

		
--	---	---

KEEP AWAY - ROTATING BLADES
SERIOUS INJURY OR DEATH CAN RESULT FROM THROWN OBJECTS OR BLADE CONTACT.

- DO NOT STAND ON OR NEAR MACHINE WHEN IN OPERATION.
- DO NOT OPERATE WITH DEFLECTORS OR GUARDS REMOVED.
- USE SPECIAL CARE WHEN OPERATING IN POPULATED OR CONGESTED AREAS.

12 966704

 **WARNING**

YOU MUST NOT OPERATE THIS MACHINE UNLESS:

1. YOU ARE TRAINED IN ITS SAFE OPERATION AND
2. YOU KNOW AND FOLLOW MANUFACTURER'S SAFETY AND OPERATING INSTRUCTIONS AS OUTLINED IN THE OPERATOR'S MANUAL.

AN UNTRAINED OPERATOR SUBJECTS HIMSELF AND OTHERS TO SERIOUS INJURY OR DEATH.

10 966702


CHECK OIL LEVEL BEFORE USING

13 967388

 **WARNING**

CHECK PTO SHAFT LENGTH BEFORE RAISING OR LOWERING IMPLEMENT. SHAFT MUST NOT BOTTOM OR SEPERATE (SEE MANUAL)

2 108431

 **WARNING**

- ENSURE DRIVELINE SHIELDS ARE IN PLACE AND IN GOOD CONDITION BEFORE OPERATING.
- PTO OPERATING SPEED IS 540 RPM.
- ALWAYS REMOVE TRACTOR KEY, SET PARK BRAKE AND PLACE MOWER IN LOWEST POSITION WHEN UNATTENDED.
- ENSURE ROTATION OF ALL COMPONENTS HAS STOPPED BEFORE SERVICING.

9 966701

 **CAUTION**

- DO NOT PERMIT RIDERS.
- KEEP SHIELDS IN PLACE.
- ENSURE EVERYONE IS CLEAR OF AREA, ESPECIALLY CHILDREN, BEFORE OPERATING.

8 966700

Decal List

Item	Part Number	Description	Qty
1	105420	Decal - Reference Plate Jbi/Fk Serial #	1
2	108431	Decal - Warning Check PTO Shaft	1
3	910625	Decal - FK 1.85 x 12 (5')	1
4	910626	Decal - FK 2.88 x 19.45 (6' & 7')	1
5	913250	Decal - 755, Fm	2
6	914012	Decal - 655, Fm	1
7	914236	Decal - 555, Fm	1
8	966700	Decal - Caution, No Riders	1
9	966701	Decal - Warning Safety Sign	1
10	966702	Decal - Warning, Fm	1
11	966703	Decal - Caution, Fm	1
12	966704	Decal - Danger, Fm	1
13	967388	Decal - Check Oil	1

Start-up

1. Park the unit on hard level ground with the mower slightly raised.
2. Adjust the sway blocks or chains on the tractor so the mower is centered between the rear wheels.
3. Adjust the 3-point hitch arms to level the mower side to side.
4. Adjust the turnbuckle on the top of the 3-point hitch arms to level the mower front and back.
5. Adjust the cutting height using the wheel spacers on the wheel yokes. The spacers should be set at the same height on all four wheels.
6. Check the oil level in the gearbox and add as required (see maintenance section).
7. Grease spindle assembly, wheel bearings, wheel pivots and the PTO shaft (see maintenance section).
8. Maintain proper air pressure in tires of 30 psi max.
9. Check tightness of belts, bolts and other hardware (see maintenance section).
10. Check blades to see if they are damaged. Sharpen or replace blades if necessary. Check that blade bolts are tight.
11. Clear the working area of foreign objects and check that all bystanders are standing clear before starting.
12. Start the tractor with the mower resting on the ground on all four wheels.
13. Slowly engage the PTO and bring the PTO speed up to 540 rpm for cutting.

Operation Instructions

The heavy-duty finishing mower is designed to be used on a tractor with a standard category 1 3-point hitch. See the specification sheet for horsepower requirements. Using excessive power will shorten the life of the drive train components.

Connecting to Tractor

Park the mower and tractor on a level dry area free of debris and foreign objects.

1. Slowly back the tractor up to the machine.
2. Adjust the 3-point arms to align with the mower lift pins.
3. Stop the tractor, set the parking brake and remove the ignition key before dismounting.
4. Slide the 3-point arms on the lift pins and lock in place with the clips supplied.
5. With the engine on the tractor shut off, attach the PTO shaft. Both ends of the PTO have a standard 6-spline end with a spring-loaded locking collar. Turn the round collar at the ends of the PTO clockwise to slide onto the splined shafts. The spring-loaded pin in the PTO yoke must lock into the groove on the splined shaft on the gearbox and tractor. Always check to see that both ends of the PTO shaft are securely attached every time the mower is used. This should always be done with the tractor engine shut off. Attach the safety chains supplied with the PTO shaft, allowing sufficient slack for the driveline during turns and operation. Check booklet attached to the PTO for instructions.

NOTE: At least one third of the telescoping length of the PTO should overlap when the mower is in operation.

6. Attach the top link on the tractor to the link pin assembled in the hitch plate. Adjust the turnbuckle on the tractor top link so that the hitch sits straight with the tractor and mower both on level ground.

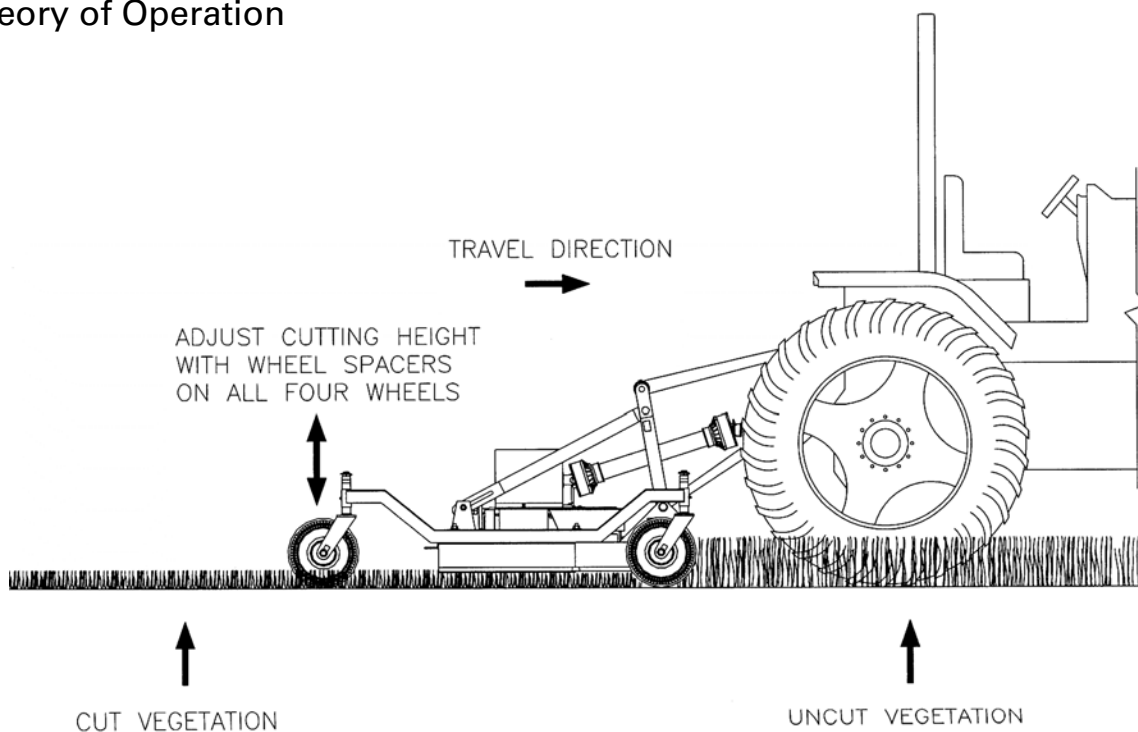
Field Operation

1. The mower works best on dry grass. Slower cutting speed and occasional cleaning may be required on damp or wet grass.
2. The PTO must run at the full 540 rpm for a good cut. Slower speeds or double cutting could be required for very tall grass.
3. Use a higher blade setting for rough areas to prevent scalping of the surface.
4. Always cut counter-clockwise so grass clippings are thrown on the grass already cut. This saves power and wear on the blades.
5. Sharpen blades if grass tears instead of cutting cleanly.
6. Slow down when cutting corners. Turning too sharply on corners can leave a small strip of grass uncut.

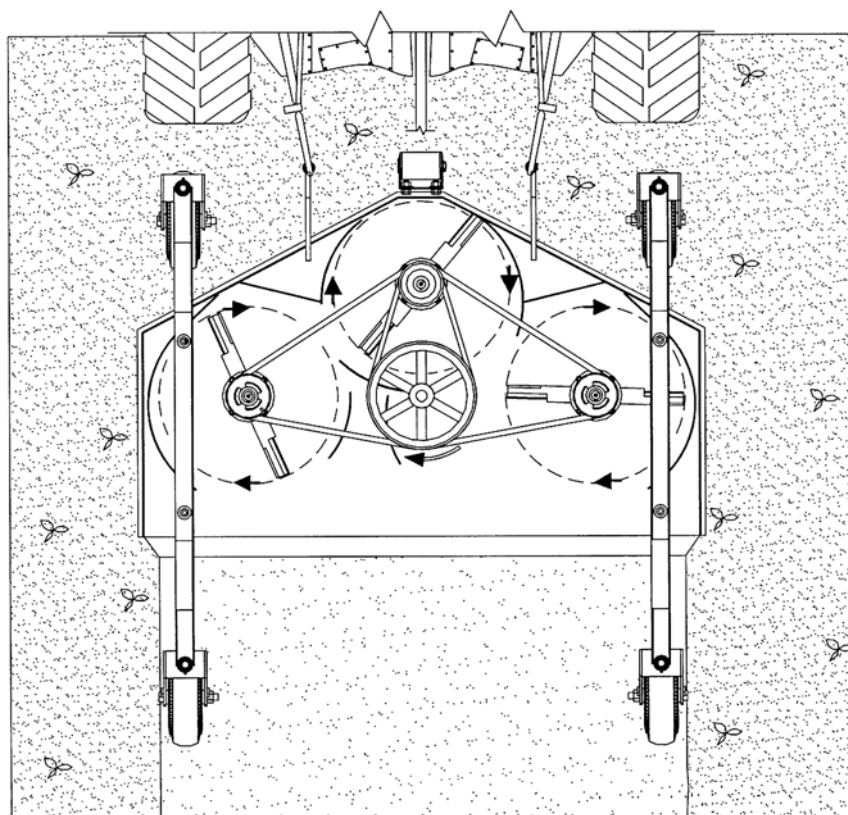
Disconnecting from Tractor

7. Park on a firm level area and clean the mower.
8. Lower the mower until the load is off the hitch arms.
9. Disconnect the hitch arms and the PTO shaft.
10. Cover the mower for storage to prevent rust.

Theory of Operation



FM-64



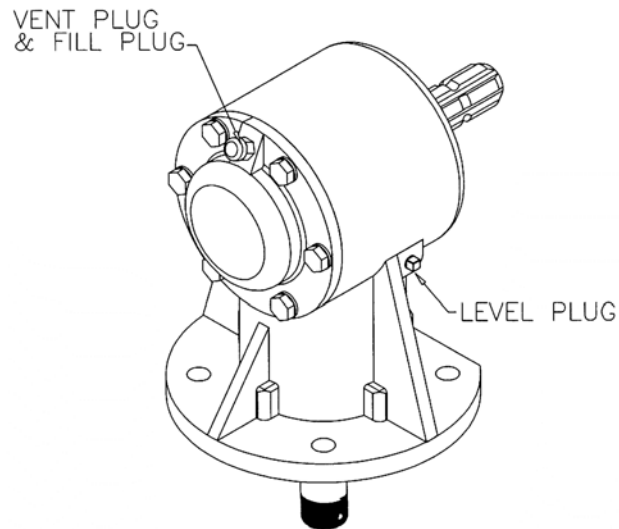
FM-65

Note: Belt arrangement does not reflect heavy-duty finishing mower

Maintenance

Mower Gearbox Lubrication

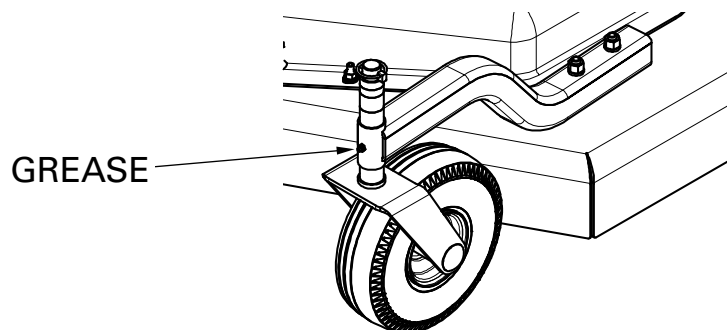
The gearbox should be filled with SAE90 oil to the bottom of the level plug when shipped. Check the mower gearbox before using and at regular intervals (approximately every 40 hours). See that the oil level is maintained. On the mower gearbox the vent plug also acts as the fill plug.



FM-52

Mower Axle Lubrication

Use a high temperature grease for all applications. There is a grease nipple in the sleeve welded to the ends of each of the four axles. These locations should receive 3 or 4 pumps of grease about every 8 hours.



Blade Replacement

The bolts have a patch of thread lock material pre-applied which will hold up for uses. Reapply thread lock if necessary.

Blade Height Adjustment

The mowers must be raised off the ground far enough to pull the wheel yoke out of the welded sleeves at the ends of the axles. Be sure the tractor is turned off. Pull out the clip and remove the wheel yoke. There are 1/2" (13 mm) and 1" (25 mm) spacers to adjust the cutting height. The cutting height is 1-1/2" (38 mm) with no spacers under the sleeve at the end of the axles. This can be adjusted using the spacers by 1/2" (13 mm) increments up to 5-1/2" (140 mm). Check to see that the spacers are set at the same height on all the wheel yokes.

V-Belt Maintenance

A few simple rules should be followed to satisfy most drive requirements:

1. For installation, reduce the center distance so the belt may be placed in the sheave grooves without force. Arrange the belt so that both the top and bottom spans have about the same amount of sag. Apply tension to the belt by adjusting tension on tensioning rod until the belt is snug and has a live, springy action when struck with the hand.
2. Operate the drive a few minutes to seat the belt in the sheave grooves. Observe the operation of the drive under its highest load condition (usually starting). A slight bowing of the slack side of the drive indicates adequate tension. If the slack side remains taut during the peak load, the drive is too tight.
3. Check the tension on a new drive several times during the first 24 hours of operation, by observing the slack side span.
4. Keep the drive free of foreign material which might cause slippage or damage to the belt and sheave surfaces.
5. If a V-belt slips, it is too loose. Increase the tension by adjusting tensioning rod. Never apply belt dressing, as this will damage the belt and cause early failure.

Service Notes

- A basic requirement for a steady top performance of the machine is proper and regular maintenance.
- Use only original Farm King parts.
- Keep the machine in a functioning and efficient condition by completing the maintenance and lubrication work as listed in the maintenance checklist. If maintenance is due, no work is to be done with the machine. Discovered defects have to be carefully remedied at once.
- **ATTENTION:** The maintenance of the machine should be done by trained personnel. Naturally, the machine has to be secured prior to beginning any maintenance work.
- **Intervals of Maintenance:** The intervals are based on average working conditions and strain. The various intervals of maintenance depend on the time elapsed or service hours complete, which ever is reached first. The intervals given here are based on the quality of material specified in this manual.

Every 8 Hours of Use

- Grease PTO cross journals and shield bearings.
- Grease mower deck wheel spindles.
- Grease mower spindles.

Every 20 Hours of Use

- Grease PTO cardan tubes and release collars.

Every 40 Hours of Use

- Check oil level of gearbox

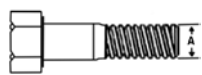



Yearly or Every 200 Hours of Use

- Repack mower bearings

Bolt Torque

Checking Bolt Torque

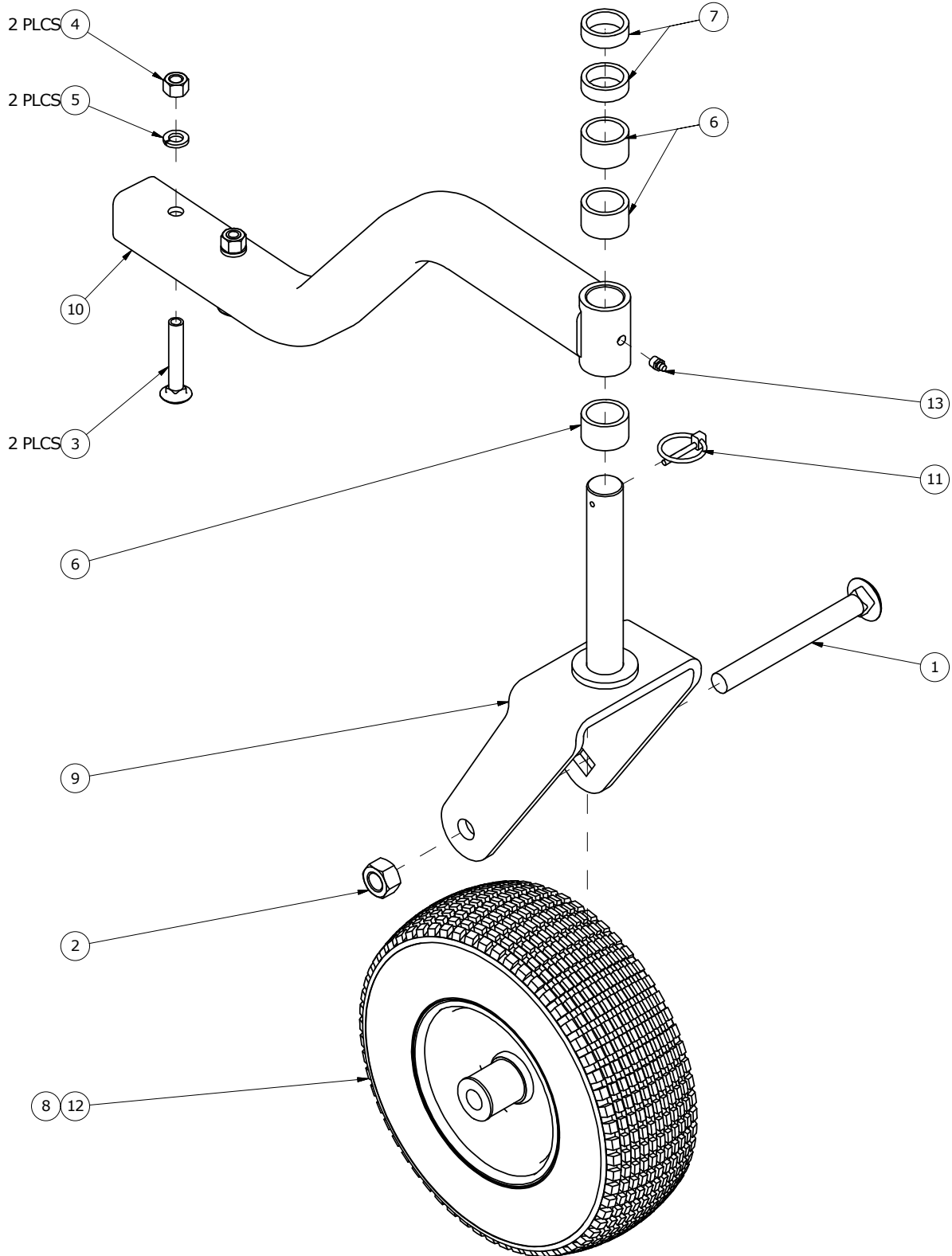
The tables shown below give correct torque values for various bolts and hex bolts. Tighten all bolts to the torques specified in chart unless otherwise noted. Check tightness of bolts periodically, using bolt torque chart as a guide. Replace hardware with the same strength bolt.

Bolt Torque*						
						
Bolt Diameter	Grade 2 Bolts		Grade 5 Bolts		Grade 8 Bolts	
(inches)	SAE 2		SAE 5		SAE 8	
"A"	(lb-ft)	(N.m)	(lb-ft)	(N.m)	(lb-ft)	(N.m)
0.25 (1/4)	6	8	9	12	12	17
0.313 (5/16)	10	13	19	25	27	36
0.375 (3/8)	20	27	33	45	45	63
0.438 (7/16)	30	42	53	72	75	100
0.5 (1/2)	45	61	80	110	115	155
0.563 (9/16)	70	95	115	155	165	220
0.625 (5/8)	95	128	160	215	220	305
.75 (3/4)	165	225	290	390	400	540
0.875 (7/8)	170	230	420	570	650	880
1	225	345	630	850	970	1320

Torque figures indicated above are valid for non-greased or non-oiled threads and heads unless otherwise specified. Therefore, do not grease or oil bolts or hex bolts unless otherwise specified in this manual. When using locking elements, increase torque values by 5%.

* Torque value for bolts and hex bolts are identified by their head markings.

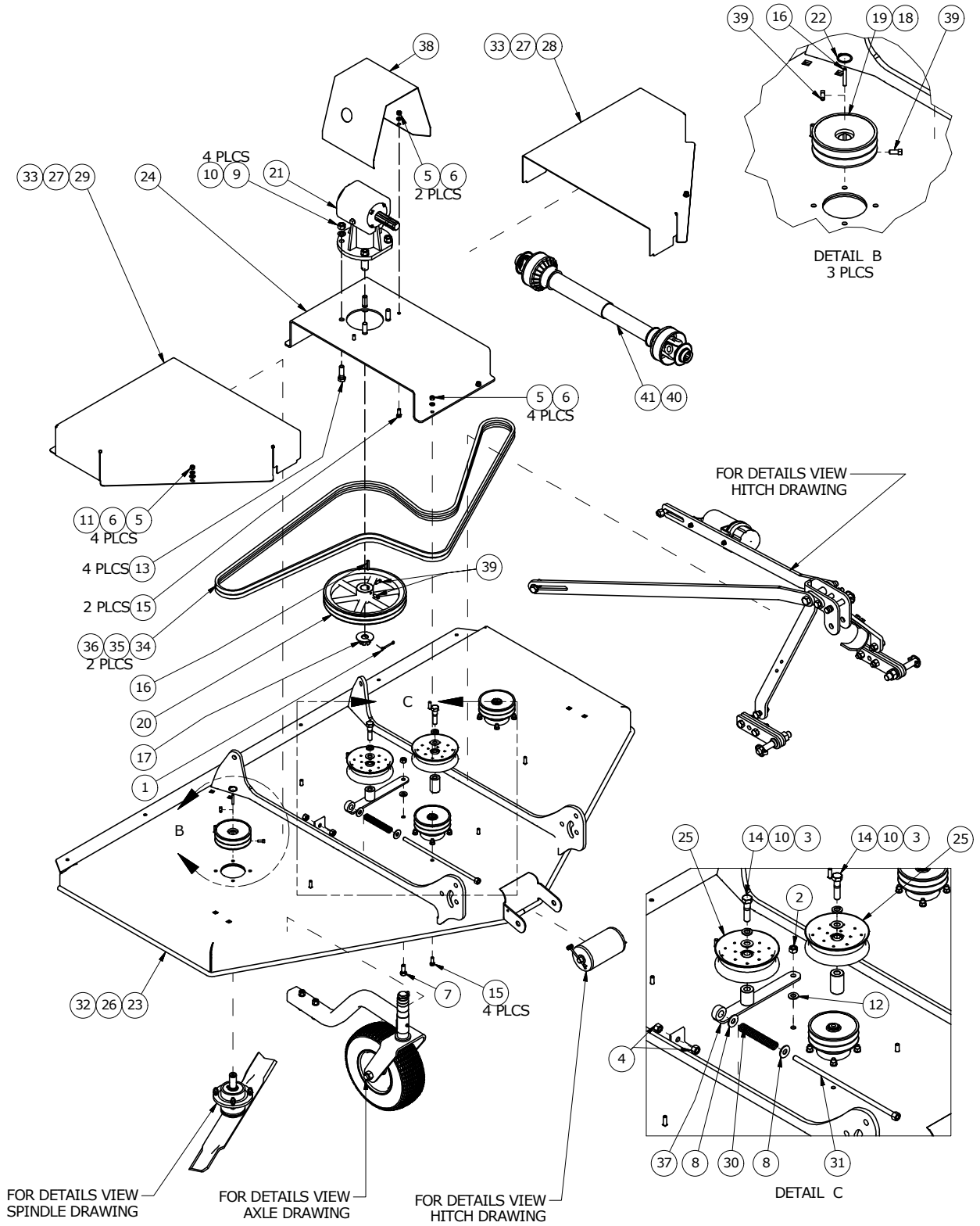
Axle Drawing



NOTES:
 1. ADJUST WHEEL HEIGHT WITH SPACER, ENSURE EQUAL SPACER HEIGHT IS USED ON ALL AXLES.

Item	Part Number	Description	Qty
1	810008	3/4" x 7" Carriage Bolt Gr5 (PI)	1
2	812365	3/4" Lock Nut (PI)	1
3	813060	1/2" x 3" Carriage Bolt Gr5 (PI)	2
4	813508	1/2" Hex Nut Gr5 (PI)	2
5	81637	1/2" Lock Washer (PI)	2
6	902503	Wheel Height Spacer Ø1-5/8" Od x 1"	3
7	902504	Wheel Height Spacer Ø1-5/8" x 1/2"	2
8	909671	Solid Rubber Tires	1
9	916362	Wheel Yoke Weldment	1
10	916365	Weldment-Axle Hd	1
11	966729	3/16" Linch Pin (PI)	1
12	966851	Tire w/ Wheel 13/500 x 6	1
13	967164	Drive-In Grease Zerk	1

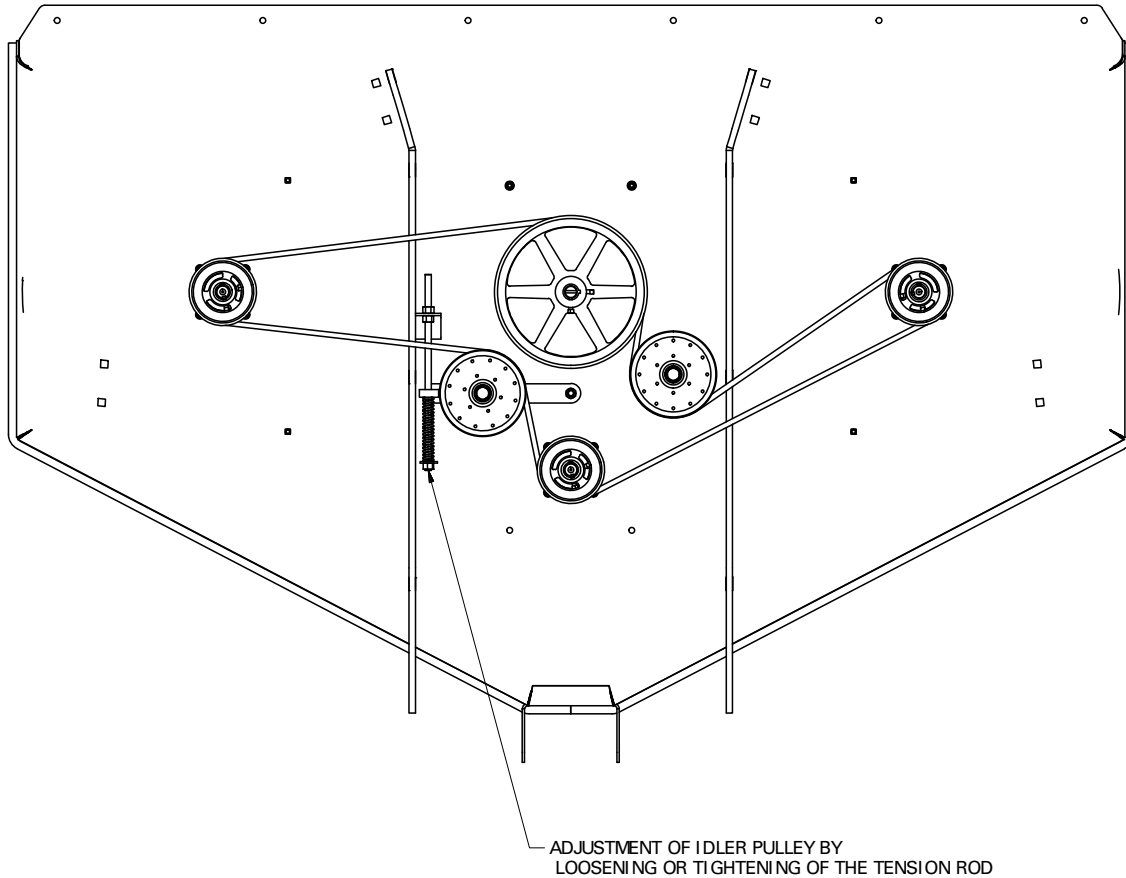
Deck Drawing



Item	Part Number	Description	Qty
1	81207	3/16" x 2" Cotter Pin (Br)	1
2	812364	1/2" Lock Nut (PI)	1
3	812639	5/8" SAE Flat Washer (PI)	4
4	813508	1/2" Hex Nut Gr5 (PI)	10
5	81592	3/8" Hex Nut (PI)	24
6	81593	3/8" Lock Washer (PI)	24
7	81620	1/2" x 1-1/4" Hex Bolt (PI)	1
8	81638	1/2" Bs Flat Washer (PI)	2
9	81676	5/8" Hex Nut (PI)	4
10	81677	5/8" Lock Washer (PI)	6
11	84039	3/8" Flat Washer (PI)	4
12	84048	1/2" SAE Flat Washer (PI)	1
13	84299	5/8" x 2" Hex Bolt Gr5 (PI)	8
14	84335	5/8 x 2-1/2" Hex Bolt (PI)	2
15	86170	3/8" x 1" Hex Bolt Gr5 (PI)	6
16	900929	1/4" x 1/4" x 1-5/8" Key	4
17	905247	1" Slot Hex Nut Weldt Incl. w/ Gbox	1
18	906554	Double Sheave Ø 4-1/2" x 2.3", (5' & 6')	3
19	906556	Double Sheave Ø 5-1/4" x 2.3", (7')	3
20	906582	Sheave-Double 12"	1
21	911377	Gearbox (Without Oil)	1
22	912301558	Snap Ring	3
23	912322	Deck Weldt Hd (7')	1
24	912367	Gearbox Mount Plate	1
25	912383	Idler Pulley	2
26	912385	Deck Weldt Hd (6')	1
27	912389	Plate - Shield Hd (6')	2
28	912902	Guard-Finishing Mower, (7')	1
29	912903	Guard-Finishing Mower, (7')	1
30	913194	Compression Spring 7/8" Od x 5" Lg	1
31	913198	Tension Rod Weldt	1
32	914191	Weldment - Deck (5') Hd	1
33	914199	Plate - Shield Hd (5')	2
34	915908	V-Belt-Hi Power li-B149	2
35	915910	V-Belt-Hi Power li-B133	2
36	915912	V-Belt-Hi Power li-B117	2
37	916465	Tensioning Weldt	1

Item	Part Number	Description	Qty
38	966748	PTO Guard	1
39	9810943	5/16" x 3/4" Sq Hd Set Screw (Br)	8
40	F0400	PTO Shaft 5' Fm	1
41	F0403	PTO Shaft 6' & 7' Fm	1
42	F0400	PTO Shaft 5' Fm	1
43	F0403	PTO Shaft 6' & 7' Fm	1

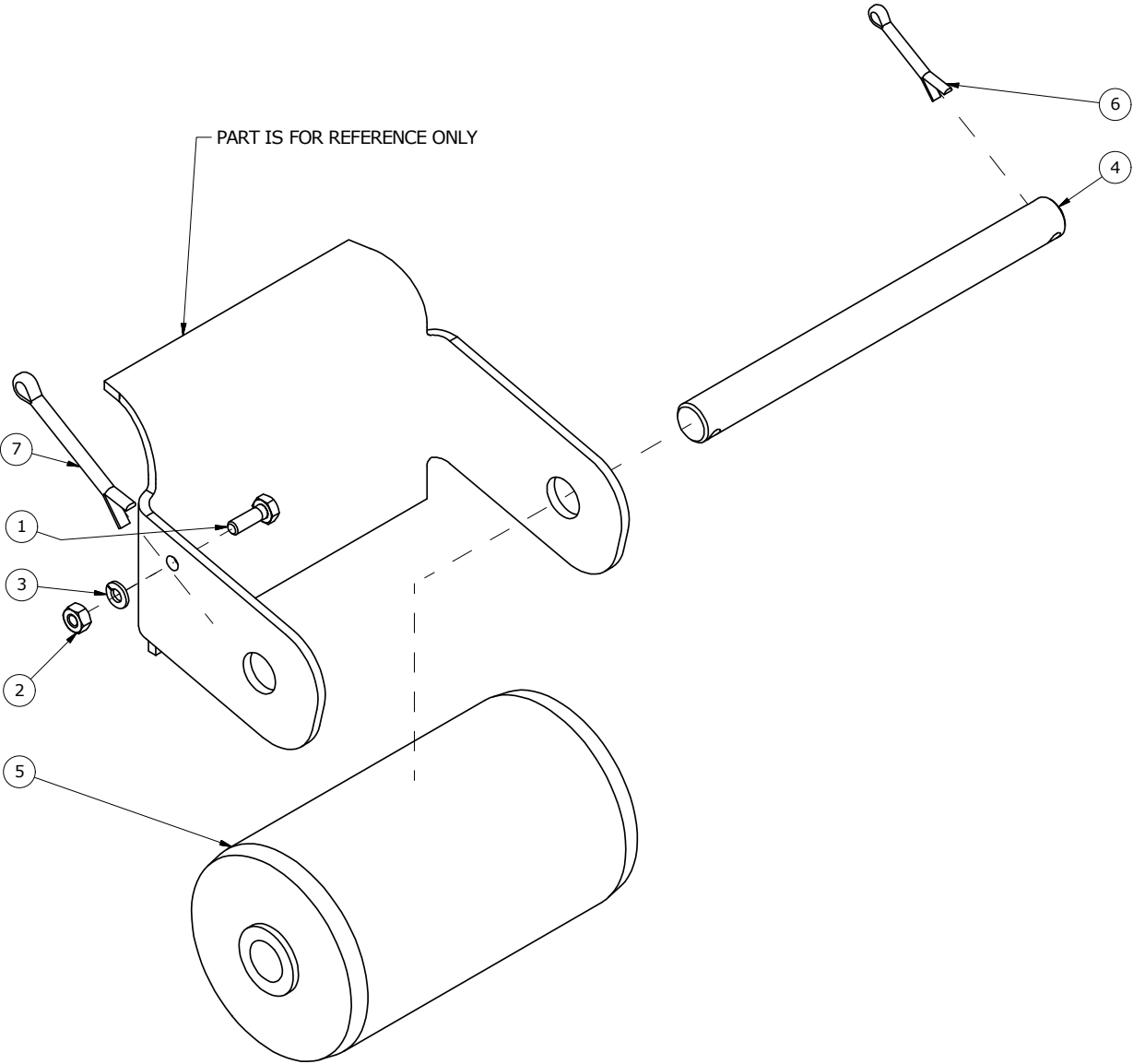
Belt Drawing



NOTE:

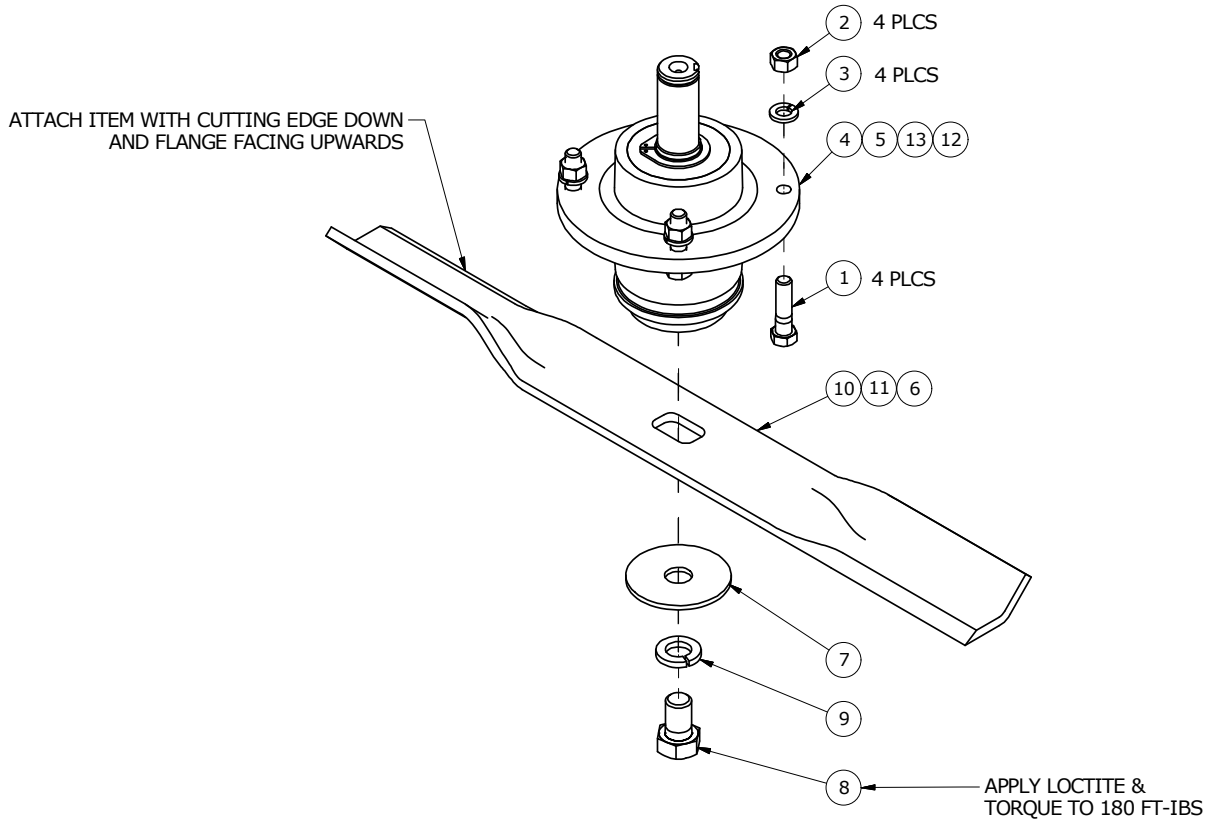
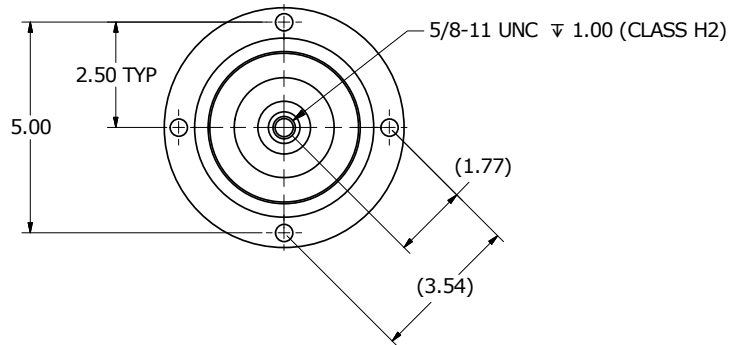
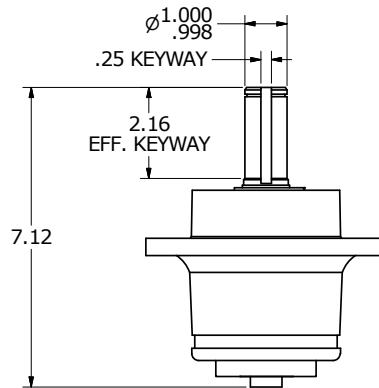
1. TENSION BELTS ACCORDING TO MAINTENANCE GUIDELINES.
2. VIEW CONTAINS ONLY THE DECK, PULLEYS, AND BELT.
3. PROPER TENSION OF BELT = 3 IN SPRING LENGTH.

Front Roller Drawing



Item	Part Number	Description	Qty
1	81525	1/4" x 3/4" Hex Bolt Gr5 (PI)	1
2	81544	1/4" Hex Nut (PI)	1
3	81545	1/4" Lock Washer (PI)	1
4	903104	Roller Pin	1
5	903113	Roller Assy	1
6	9812433	3/16" x 1-1/2" Cotter Pin	1
7	9812436	1/4" x 2-1/2" Cotter Pin (PI)	1

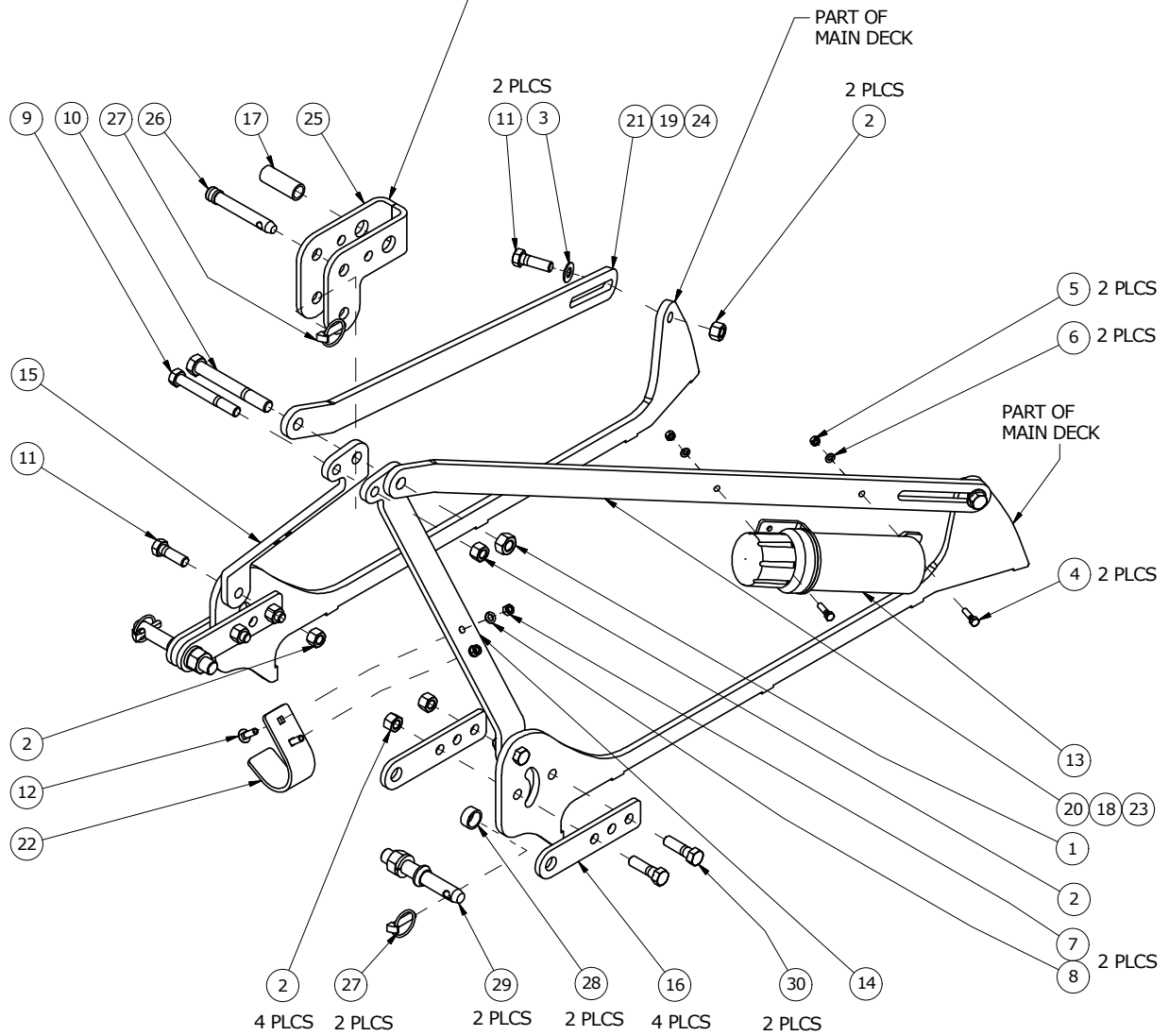
Spindle Drawing



Item	Part Number	Description	Qty
1	811792	3/8" x 1-1/2" Hex Bolt Gr5 (PI)	4
2	81592	3/8" Hex Nut (PI)	4
3	81593	3/8" Lock Washer (PI)	4
4	906334	Spindle Assembly (w/o Hardware) (5' & 6')	1
5	906339	Spindle Assembly (w/ Hardware) (5' & 6')	1
6	966167	Hard Surfaced Blade 1/4" x 2-1/2" x 29-3/4" (7')	1
7	966188	2-1/2" Od x 21/32" Id Washer (PI)	1
8	966189	5/8" x 1" Gr8 Hex Bolt Lock (PI)	1
9	966190	5/8" Lock Washer Extra Heavy (PI)	1
10	966273	Hard Surfaced Blade 1/4" x 2-1/2" x 21-3/4" (5')	1
11	966274	Hard Surfaced Blade 1/4" x 2-1/2" x 25-3/4" (6')	1
12	966860	Spindle Assembly (With Hardware) (7')	1
13	966861	Spindle Assembly (Without Hardware) (7')	1

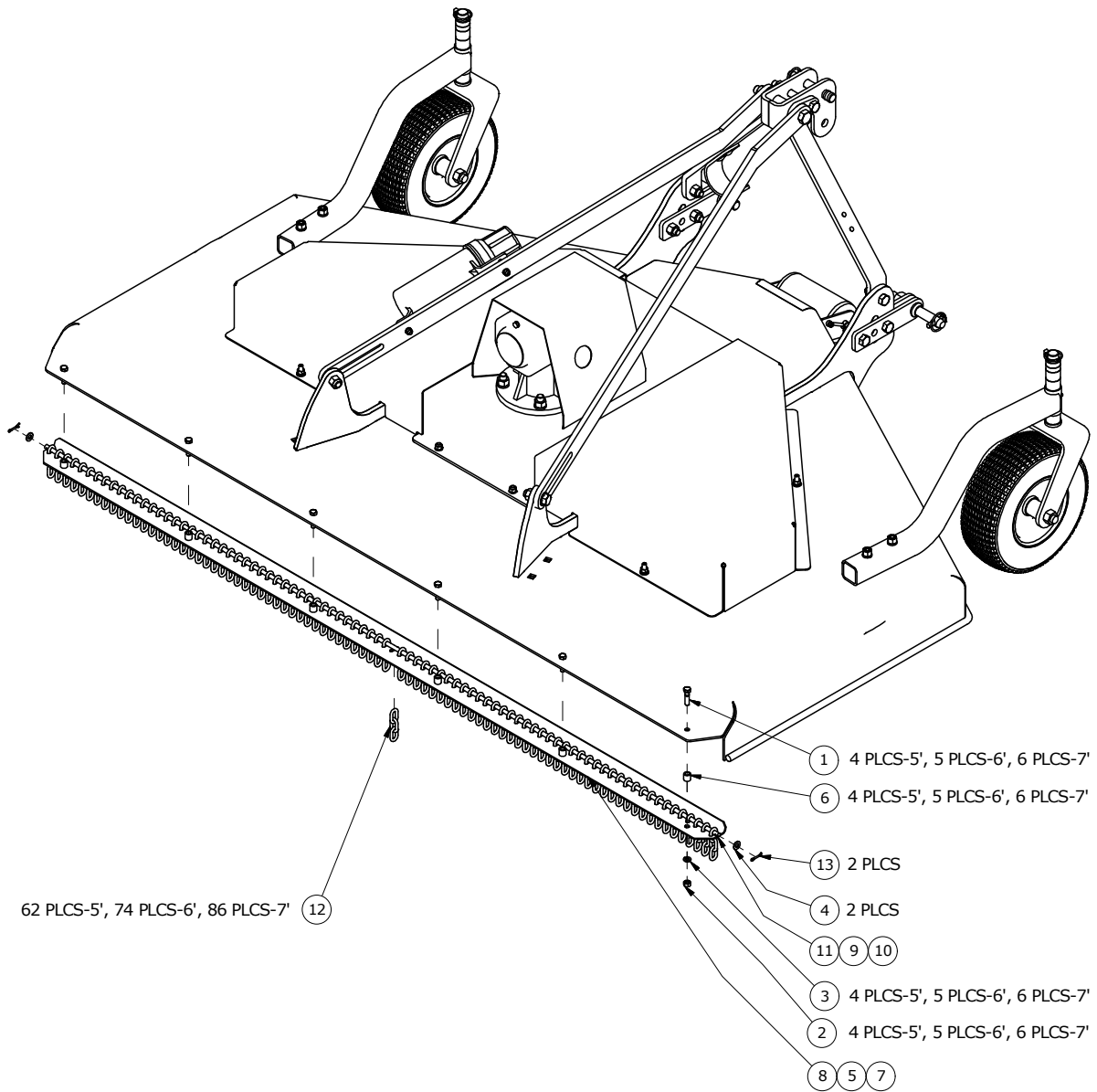
Hitch Drawing

LOWER HOLE FOR USE WITH QUICK HITCH CLASS 1,
IF NOT IN USE FLIP BRACKET UP



Item	Part Number	Description	Qty
1	812365	3/4" Lock Nut (PI)	1
2	812482	5/8" Lock Nut (PI)	9
3	812639	5/8" SAE Flat Washer (PI)	2
4	81552	5/16" x 1-1/4" Hex Bolt (PI)	2
5	81568	5/16" Hex Nut (PI)	2
6	81569	5/16" Lock Washer PI	2
7	81592	3/8" Hex Nut (PI)	2
8	81593	3/8" Lock Washer (PI)	2
9	81673	5/8" x 5" Hex Bolt Gr5 (PI)	1
10	84215	3/4" x 6" Hex Bolt Gr5 (PI)	1
11	84299	5/8" x 2" Hex Bolt Gr5 (PI)	4
12	86182	3/8 x 1-1/4 Carriage Bolt (PI)	2
13	909277	Manual Holder 3-1/2" x 12"	1
14	912342	A Frame Plate L	1
15	912343	A Frame Plate R	1
16	912344L	Lower Hitch Plate	4
17	912346	Hitch Spacer Tube	1
18	912351	Plate - Rear Brace Heavy Duty - 7' Left	1
19	912352	Plate - Rear Brace Heavy Duty - 7' Right	1
20	912387	Plate - Rear Brace Heavy Duty - 6' Left	1
21	912388	Plate - Rear Brace Heavy Duty - 6' Right	1
22	914184	Bracket - PTO Holder	1
23	914202	Plate - Rear Brace Heavy Duty - 5' Left	1
24	914203	Plate - Rear Brace Heavy Duty - 5' Right	1
25	914336	Weldment - Upper Hitch	1
26	965807	Cat. 1 Top Link Pin	1
27	965911	7/16" Linch Pin	3
28	966601	Lift Pin Bushing	2
29	966823	Lift Pin c/w Nut & Washer (XI) (Cat.1)	2
30	981664	5/8 x 2-1/4" Hex Bolt Gr5 (PI)	4

Chain Kit Drawing

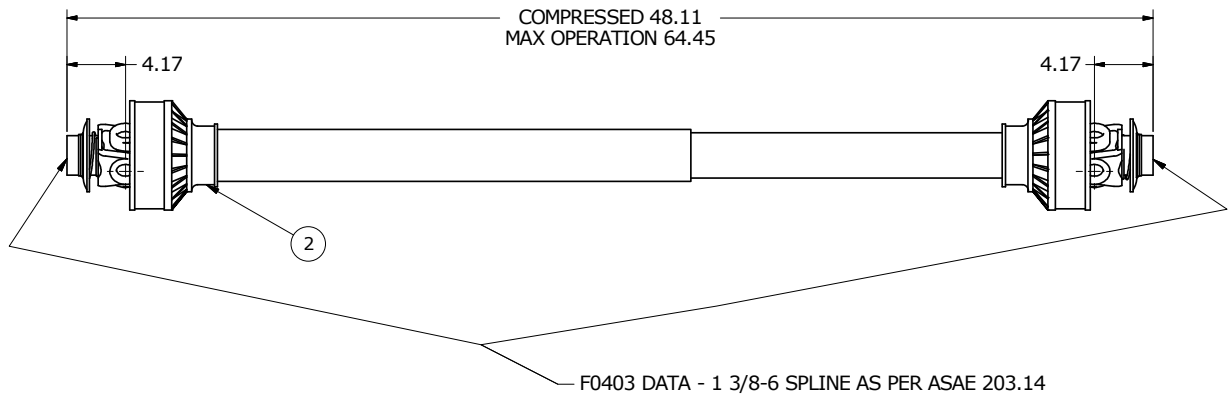
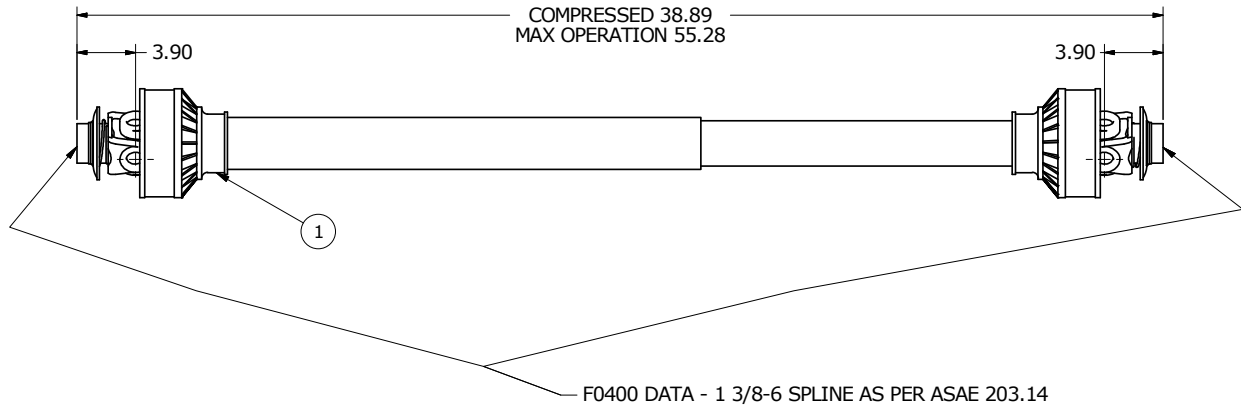


NOTE:

1. REAR AXLES, WHEEL NUTS AND BOLTS NOT SHOWN.

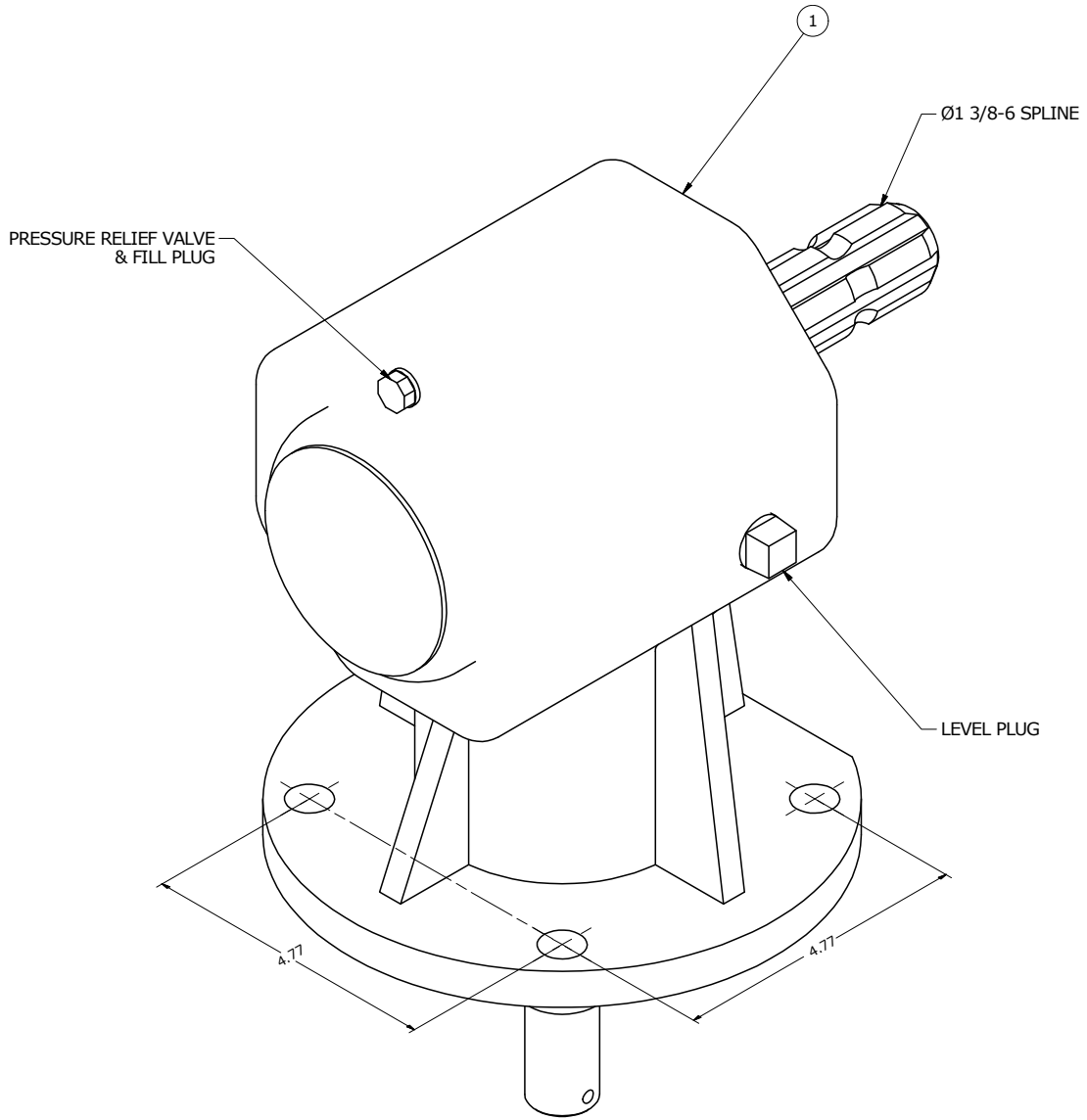
Item	Part Number	Description	Qty
1	811792	3/8" x 1-1/2" Hex Bolt Gr5 (PI)	6
2	81592	3/8" Hex Nut (PI)	6
3	81593	3/8" Lock Washer (PI)	6
4	84039	3/8" Flat Washer (PI)	2
5	902820	Chain Kit (PI) 3-1/2" x 62" (5')	1
6	902821	Chain Guard Spacer Ø 5/8" Od x 5/8"	6
7	902823	Chain Kit (PI) 3-1/2" x 74" (6')	1
8	902825	Chain Guard Plate 10 Ga x 3-1/2" x 86" (7')	1
9	902827	Chain Kit Rod Ø 3/8" x 62-3/8" (5')	1
10	902828	Chain Kit Rod Ø 3/8" x 74-3/8" (6')	1
11	902829	Chain Kit Rod Ø 3/8" x 86-3/8" (7')	1
12	967907	Chain, 3 Link Rd	86
13	9812430	1/8" x 1" Cotter Pin (PI)	2

PTO Drawing



Item	Part Number	Description
1	F0400	PTO Shaft (5')
2	F0403	PTO Shaft (6' & 7')

Gearbox Drawing



Item	Part Number	Description
1	911377	Gearbox (w/o Oil)

Shipping Kit and Bundle Numbers

The following is a list of Kit Numbers for this product and the Bundle Numbers, Descriptions, and Quantities for each Kit.

Quantity	Bundle Number	Description
7' (84") Heavy-duty Finishing Mower (Y755)		
1	F1387	Deck Assembly 7' (FM)
1	F6569	Carton w/ 4Tires

6' (72") Heavy-duty Finishing Mower (Y655)		
1	F1386	Deck Assembly 6' (FM)
1	F6569	Carton w/ 4Tires

5' (60") Heavy-duty Finishing Mower (Y555)		
1	F1437	Deck Assembly 5' (FM)
1	F6569	Carton w/ 4Tires

The following is a list of Kit Numbers for this product and the Bundle Numbers, Descriptions, and Quantities for each Kit.

Quantity	Bundle Number	Description
1	F0840	Solid RubberTires
1	Y710	Chain Kit (Consists of F6672 & F6675)
1	Y610	Chain Kit (Consists of F6671 & F6674)
1	Y510	Chain Kit (Consists of F6670 & F6673)

Suggested Service Parts Stock

The following is a list of suggested service parts stock quantities.

Part Number / Description	Qty. Per Unit	Qty. Per 10 Units
PTO Shafts		
F0400 - 5'	1	2
F0403 - 6' & 7'	1	2
Gear Boxes		
911377	1	2
Belts		
915912 - B117 - 5'	2	6
915910 - B133 - 6'	2	6
915908 - B149 - 7'	2	6
Blades		
966273 - Hard Surf. - 5'	3	12
966274 - Hard Surf. - 6'	3	12
966167 - Hard Surf. - 7'	3	12
Spindles		
906339 - 5' & 6'	3	3
966860 - 7'	3	3
Wheel		
966851 - 5', 6' & 7'	4	2
909671 - Solid (Optional) - 7'	4	2
Wheel Yoke		
916362 (Sept 2013 & Up)	4	2
912354 (2012-2013)	4	2
Wheel Spacers		
902503 - 1-3/4" x 1" (Sept 2013 & Up)	12	24
902504 - 1-3/4" x 1/2" (Sept 2013 & Up)	8	16
966730 - 1-5/16" od x 1" (2012-2013)	12	24
966731 - 1-5/16" od x 1/2" (2012-2013)	8	16
Sheave (Pully)		
904246 - 4-1/2" Dbl (Sept 2013 & Up) - 5' & 6'	3	6
904248 - 5-1/4" Dbl (Sept 2013 & Up) - 7'	3	6
904245 - 4-1/2" Single (2012-2013) - 5' & 6'	3	6
904247 - 5-1/4" Single (2012-2013) - 7'	3	6

Farm King Limited Warranty

This document limits your warranty rights.

Base Limited Warranty

Buhler Industries Inc. provides this warranty only to original retail purchasers of its product. Buhler Industries Inc. warrants to such purchasers that all Buhler Industries Inc. manufactured parts and components used and serviced as provided for in the Operator's Manual shall be free from defects in materials and workmanship for a period following delivery to the original retail purchaser of 12 months (80 days for commercial applications). This limited warranty applies only to those parts and components manufactured by Buhler Industries Inc. Parts and components manufactured by others are subject to their manufacturer's warranties, if any.

Buhler Industries Inc. will fulfill this limited warranty by, at its option, repairing or replacing any covered part that is defective or is the result of improper workmanship, provided that the part is returned to Buhler Industries Inc. within thirty (30) days of the date that such defect or improper workmanship is, or should have been, discovered. Buhler Industries Inc. reserves the right to either inspect the product at the buyer's location or have it returned to the factory for inspection. Parts must be returned through the selling representative and the buyer must prepay transportation charges.

Buhler Industries Inc. will not be responsible for repairs or replacements that are necessitated, in whole or part, by the use of parts not manufactured by or obtained from Buhler Industries Inc. Under no circumstances are component parts warranted against normal wear and tear. There is no warranty on product pump seals, product pump bearings, rubber product hoses, pressure gauges, or other components that require replacement as part of normal maintenance. Also: Buckets and Bucket Tines carry no warranty, Bent Spears carry no warranty, Snowblower Fan Shafts carry no warranty, Mower Blades carry no warranty, Portable Auger Parts Have Two (2) Year Warranty, Loader Parts Have Two (2) Year Warranty. The purchaser is solely responsible for determining suitability of goods sold. This warranty is expressly in lieu of all other warranties expressed or implied. Buhler Industries Inc. will in no event be liable for any incidental or consequential damages whatsoever. Nor for any sum in excess of the price received for the goods for which liability is claimed.

Repair Parts Limited Warranty

Buhler Industries Inc. warrants Farm King replacement parts purchased after the expiration of the Buhler Industries Inc. Limited Warranty, and used and serviced as provided for in the Operator's Manual, to be free from defects in materials or workmanship for a period of thirty (30) days from the invoice date for the parts. Buhler Industries Inc. will fulfill this limited warranty by, at its option, repairing or replacing any covered part that is defective or is the result of improper workmanship, provided that the part is returned to Buhler Industries Inc. within thirty (30) days of the date that such defect or improper workmanship is, or should have been, discovered. Such parts must be shipped to Buhler Industries Inc. at the purchaser's expense.

What is Not Covered

Under no circumstances does this limited warranty cover any components or parts that have been subject to the following: negligence; alteration or modification not approved by Buhler Industries Inc.; misuse; improper storage; lack of reasonable and proper maintenance, service, or repair; normal wear; damage from failure to follow operating instructions; accident; and/or repairs that have been made with parts other than those manufactured, supplied, and or authorized by Buhler Industries Inc.

Authorized Dealer and Labor Costs

Repairs eligible for labor under this limited warranty must be made by Buhler Industries Inc. or an authorized Farm King dealer. Buhler Industries Inc. retains the exclusive discretion to determine whether it will pay labor costs for warranty repairs or replacements, and the amount of such costs that it will pay and the time in which the repairs will be made. If Buhler Industries Inc. determines that it will pay labor costs for warranty work, it will do so by issuing a credit to the dealer's or distributor's account. Buhler Industries Inc. will not approve or pay invoices sent for repairs that Buhler Industries Inc. has not previously approved. Warranty service does not extend the original term of this limited warranty.

Warranty Requirements

To be covered by warranty, each Farm King new product must be registered with Buhler Industries Inc. within thirty (30) days of delivery to original retail purchaser. If the customer decides to purchase replacement components before the warranty disposition of such components is determined, Buhler Industries Inc. will bill the customer for such components and then credit the replacement invoice for those components later determined to be covered by this limited warranty. Any such replacement components that are determined not be covered by this limited warranty will be subject to the terms of the invoice and shall be paid for by the purchaser.

Warranty Claims:

Warranty requests must be prepared on Buhler Industries Inc. Warranty Claim Forms with all requested information properly completed. Warranty Claims must be submitted within a thirty (30) day period from date of failure repair.

Warranty Labor:

Any labor subject to warranty must be authorized by Buhler Industries Inc. The labor rate for replacing defective parts, where applicable, will be credited at 100% of the dealer's posted shop rate.

Exclusive Effect of Warranty and Limitation of Liability

TO THE EXTENT PERMITTED BY LAW, BUHLER INDUSTRIES INC. DISCLAIMS ANY WARRANTIES, REPRESENTATIONS, OR PROMISES, EXPRESS OR IMPLIED, AS TO THE QUALITY, PERFORMANCE, OR FREEDOM FROM DEFECT OF THE COMPONENTS AND PARTS COVERED BY THIS WARRANTY AND NOT SPECIFICALLY PROVIDED FOR HEREIN.

TO THE EXTENT PERMITTED BY LAW, BUHLER INDUSTRIES INC. DISCLAIMS ANY IMPLIED WARRANTIES OF MERCHANTABILITY AND FITNESS FOR A PARTICULAR PURPOSE ON ITS PRODUCTS COVERED HEREIN, AND DISCLAIMS ANY RELIANCE BY THE PURCHASER ON BUHLER INDUSTRIES INC.'S SKILL OR JUDGMENT TO SELECT OR FURNISH GOODS FOR ANY PARTICULAR PURPOSE. THE PURCHASER'S ONLY AND EXCLUSIVE REMEDIES IN CONNECTION WITH THE BREACH OR PERFORMANCE OF ANY WARRANTY ON PRODUCTS MANUFACTURED BY BUHLER INDUSTRIES INC. ARE THOSE SET FORTH HEREIN. IN NO EVENT SHALL BUHLER INDUSTRIES INC. BE LIABLE FOR INCIDENTAL OR CONSEQUENTIAL DAMAGES (INCLUDING, BY WAY OF EXAMPLE ONLY AND NOT LIMITATION, LOSS OF CROPS, LOSS OF PROFITS OR REVENUE, OTHER COMMERCIAL LOSSES, INCONVENIENCE, OR COST OF REPLACEMENT OF RENTAL EQUIPMENT). IN NO EVENT SHALL FARM KING'S CONTRACT OR WARRANTY LIABILITY EXCEED THE PURCHASE PRICE OF THE PRODUCT.

(Note that some provinces or states do not allow limitations on how long an implied warranty lasts or the exclusion or limitation of incidental or consequential damages, so the above limitations and exclusion may not apply to you.) This warranty gives you specific legal rights and you may also have other rights, which vary from province to province or state to state.

Buhler Industries Inc. neither assumes nor authorizes any person or entity, including its selling representatives, to assume any other obligations or liability in connections with the sale of covered equipment, or to make any other warranties, representations, or promises, express or implied, as to the quality, performance, or freedom from defect of the components and parts covered herein. No one is authorized to alter, modify, or enlarge this limited warranty, or its exclusions, limitations and reservations.

Corrections of defects and improper workmanship in the manner, and for the applicable time periods, provided for herein shall constitute fulfillment of all responsibilities of Buhler Industries Inc. to the purchaser, and Buhler Industries Inc. shall not be liable in negligence, contract, or on any other basis with respect to the subject equipment.

This limited warranty is subject to any existing conditions of supply which may directly affect Buhler Industries Inc.'s ability to obtain materials or manufacture replacement parts.

Buhler Industries Inc. reserves the right to make improvements in design or changes in specifications to its products at anytime, without incurring any obligation to owners of units previously sold.

Government Legislation:

Warranty terms and conditions are subject to provincial or state legislation.

Important Note: This warranty does not apply to rentals.

www.farm-king.com

Farm King

301 Mountain Street South
Morden, Manitoba Canada R6M 1X7
Ph.: 204.822.4467 | Fax: 204.822.6348
Toll Free: 888.524.1004
E-mail: info@buhler.com
www.farm-king.com

Equipment shown is subject to change without notice.
©2013 Buhler Trading Inc. TSX:BUI

bühler | a division of Buhler Industries Inc.