



**OPERATIONS & PARTS MANUAL**

**FOR MODELS:**  
• 81.200.004

PURCHASE DATE	MODEL NO.	SERIAL NUMBER
DEALER		

## **TABLE OF CONTENTS**

<b>3</b>	Safety Information
<b>4</b>	Content
<b>5</b>	Assembly Instructions
<b>12</b>	Operating & Maintenance Instructions
<b>13</b>	Parts List

## RULES FOR SAFETY OPERATIONS

Remember, any power equipment can cause injury if operated improperly or if the user does not understand how to operate the equipment.



Look for this Symbol to point out important safety precautions. It means ATTENTION! Become Alert! Your safety is involved.



**CAUTION:** Vehicle braking and stability may be affected with the addition of an accessory or an attachment. Be aware of changing conditions on slopes.

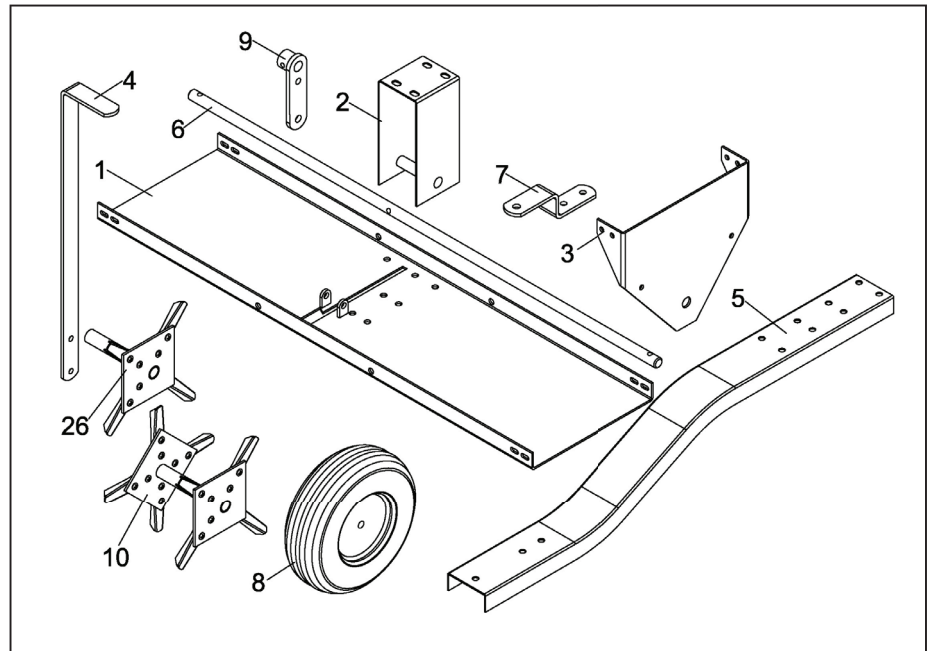
Exercise caution at all times when using power equipment.

1. Read this owner's manual carefully for operating and service instructions before attempting to assemble or operate this equipment. Be thoroughly familiar with the proper use of this equipment.
2. Read the vehicle owner's manual and vehicle safety rules and know how to operate the vehicle before using this equipment.
3. Never allow children to operate the tractor or plug aerator attachment, and do not allow adults to operate without proper instructions.
4. This aerator attachment has sharp knife points. Always handle with care and wear substantial foot wear when operating this aerator.
5. Do not allow anyone to ride or sit on plug aerator attachment frame or on towing vehicle.
6. Keep the area of operation clear of all persons, particularly small children and also pets.
7. Always begin with the transmission in first (low) gear and engine at low speed and gradually increase speed as conditions permit.
8. The vehicle braking and stability may be affected with the attachment of this equipment. Be aware of changing conditions on slopes. **STAY OFF STEEP SLOPES.**
9. Always operate up and down a slope, never across the face of slope.
10. This equipment should be operated at reduced speed on rough terrain, along creeks and ditches and on hillsides, to prevent tipping and loss of control. Do not drive too close to a creek or a ditch.
11. Do not use this equipment on a highway or any other public thoroughfare.
12. Follow the maintenance instructions as outlined in this owner's manual.

## CONTENT

### Carton Contents

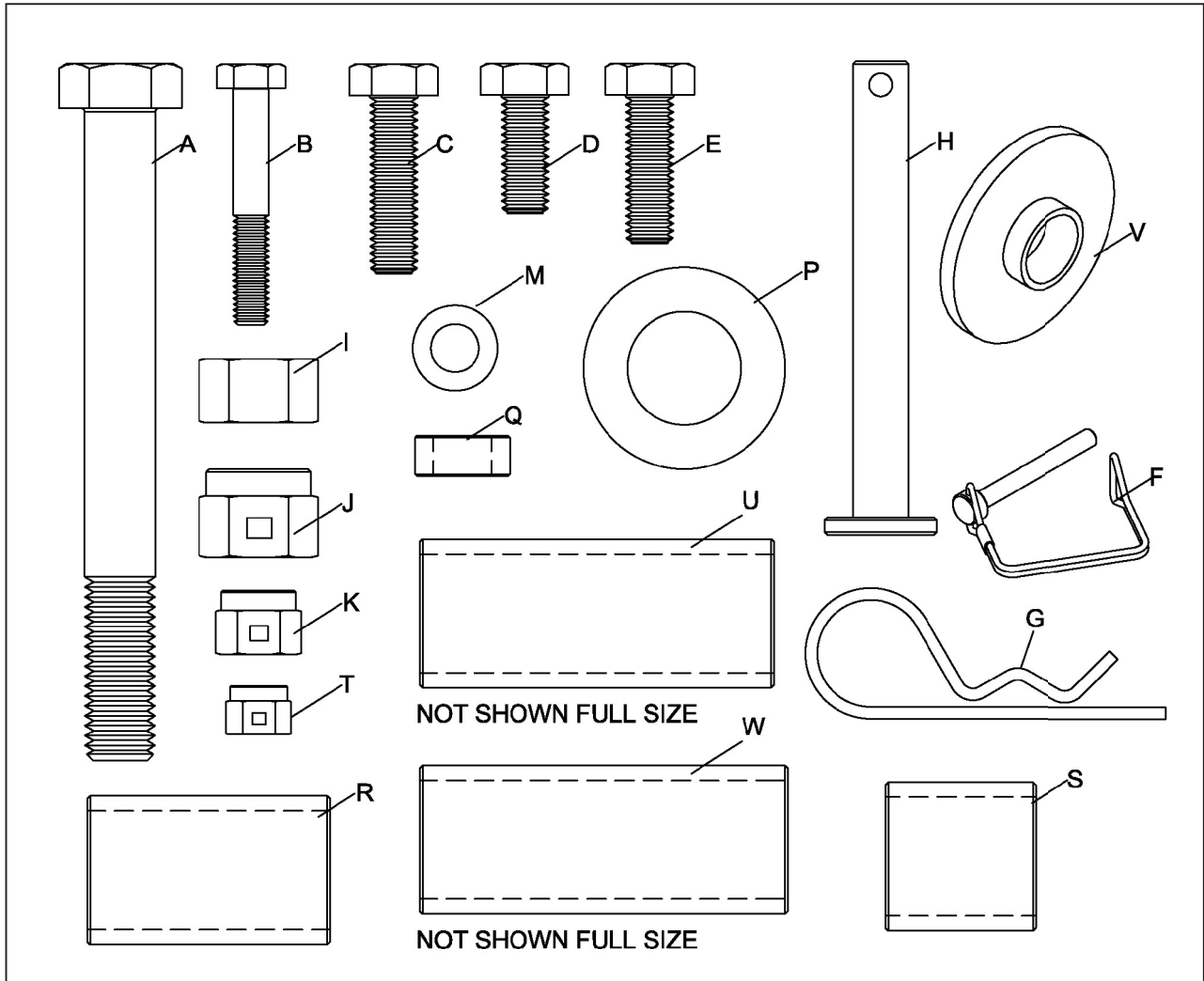
REF.	DESCRIPTION
1	Tray
2	Middle Brace
3	End Plate (2)
4	Lift Handle
5	Tongue
6	Shaft
7	Hitch Bracket
8	Wheels (2)
9	Wheel Bracket (3)
10	Double Spool (2)
26	Single Spool (2)



### Hardware Package Contents

REF.	DESCRIPTION	QTY
A	Hex Bolt 1/2" X 4-7/16"	2
B	Hex Bolt 1/4" x 1-9/16"	3
C	Hex Bolt 5/16" x 1-3/16"	6
D	Hex Bolt 5/16" x 7/8"	8
E	Hex Bolt 5/16" x 1"	8
F	Lock Pin	1
G	R Pin	1
H	Hitch Pin	1
I	Hex Nut 1/2"	2
J	Lock Nut 1/2"	2

REF.	DESCRIPTION	QTY
K	Lock Nut 5/16"	22
M	Flat Washer Ø8	12
P	Flat Washer Ø20	4
Q	Spacer 1/4" Long	8
R	Spacer Tube 1.61" Long	1
S	Spacer Tube 0.79" Long	1
T	Lock Nut 1/4"	3
U	Spacer Tube 2.36" Long	1
V	Shoulder Spacer	1
W	Spacer Tube 2.76" Long	1



## ASSEMBLY INSTRUCTIONS

### Recommended Tools for Assembly

2 each - Combination Wrenches 7/16", 1/2" & 3/4"

1 - Adjustable Wrench - Medium Size

1 - Medium Size Pliers

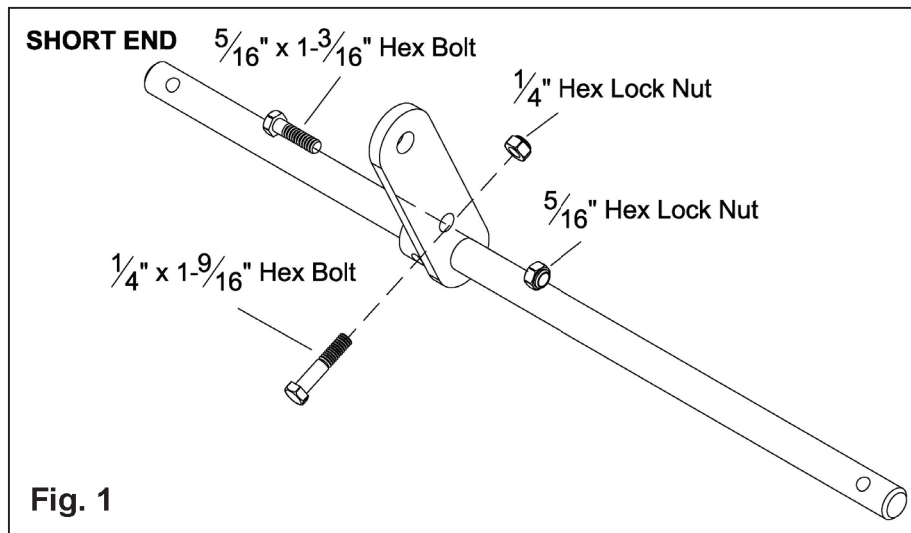
Before assembling the aerator, lay out all the parts and hardware as shown on previous pages.



**CAUTION:** Points of aerator knives are sharp! Exercise caution at all times while assembling and using the aerator.

### Step 1: Attach Wheel Bracket to Axle Shaft

1. Attach one wheel bracket to the middle hole of the axle shaft. Note the wheel bracket ring should point towards the shortest side of the axle. See Fig. 1. Attach the wheel bracket using a 1/4" x 1-9/16" Hex Bolt and a 1/4" Hex Lock Nut. Do not fully tighten.
2. Next, insert from the short side of the axle a 5/16" x 1-3/16" Hex Bolt into the hole on the wheel bracket closest to the axle. (Smaller hole) attach 5/16" Hex Lock Nut to the bolt. Do not fully tighten until later step. See Fig 1.

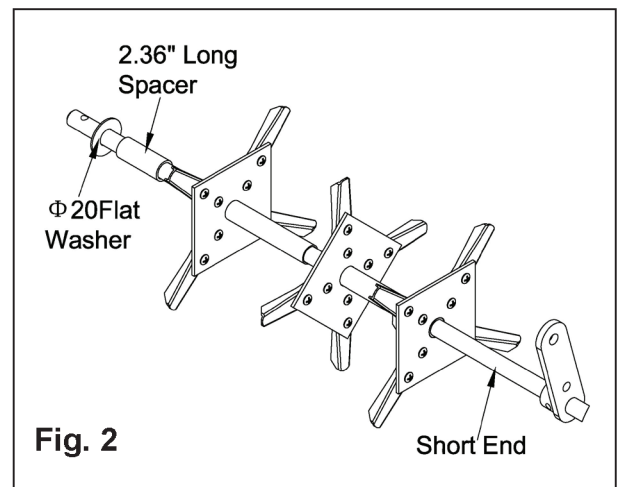


**Fig. 1**

**Step 2: Assemble Short Side of Axle Shaft**

Assembly below items onto short side of the axle shaft in the following order. Take note of the direction of plunger knives in Fig.2.

1. Start with one double spool (knives facing outward).
2. Single spool (knives facing outward).
3. 2.36" Long Spacer
4. Ø20 Flat Washer



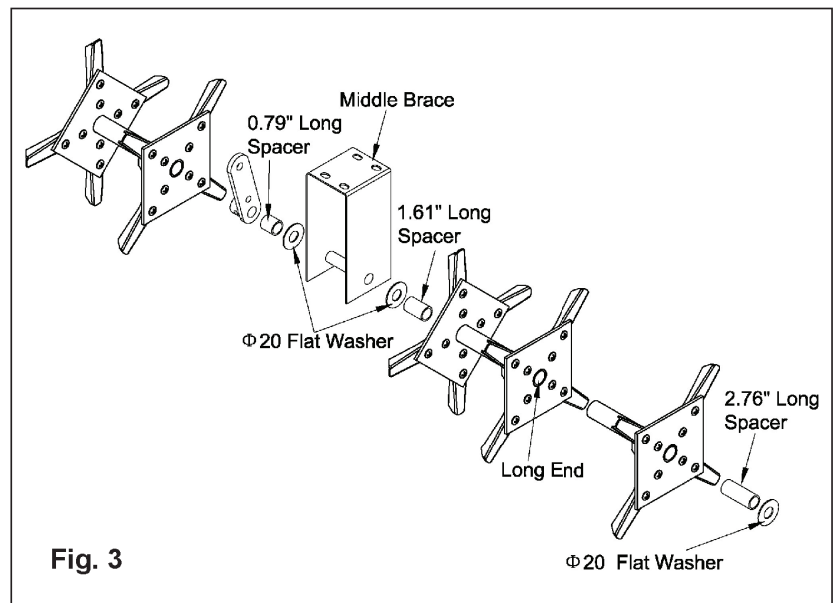
**Fig. 2**

**Step 3: Assemble Long Side of Axle Shaft**

Assemble these items onto Long Side of the axle shaft in the following order. Take note of the direction of plunger knives in Fig. 3.

**IMPORTANT! Be sure top bracket of Middle Brace faces short end of axle**

1. Start with 0.79" spacer tube.
2. Ø20 flat washer
3. Middle Brace
4. Ø20 Flat Washer
5. 1.61" Spacer Tube
6. Double spool assembly (knives facing inward)
7. Single spool assembly
8. 2.76" spacer tube
9. Ø20 flat washer



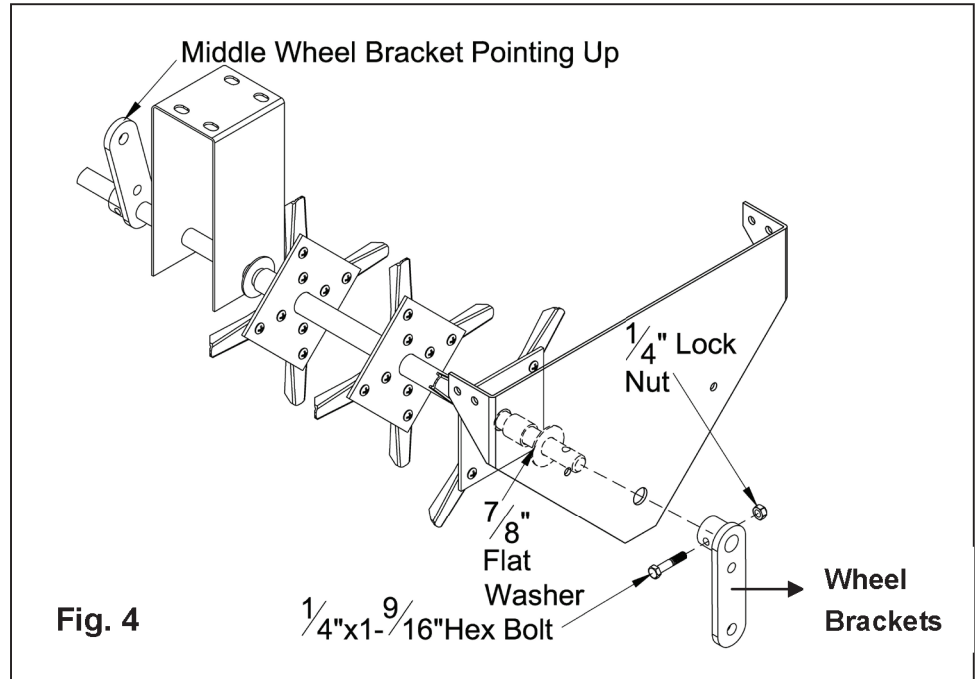
**Fig. 3**

#### Step 4: Attach End Plates & Wheel Bracket

Start by rotating the wheel bracket in the middle of the axle shaft so it is pointing upward. Next, attach an End Plate to one side, followed by a  $\text{Ø}20$  Flat Washer and a wheel bracket. Note in Fig 4, Wheel bracket ring faces inward. Fasten wheel bracket to axle shaft using  $1/4" \times 1-9/16"$  Hex Bolt and  $1/4"$  Lock Nut.

Fully tighten connection. Repeat for opposite side.

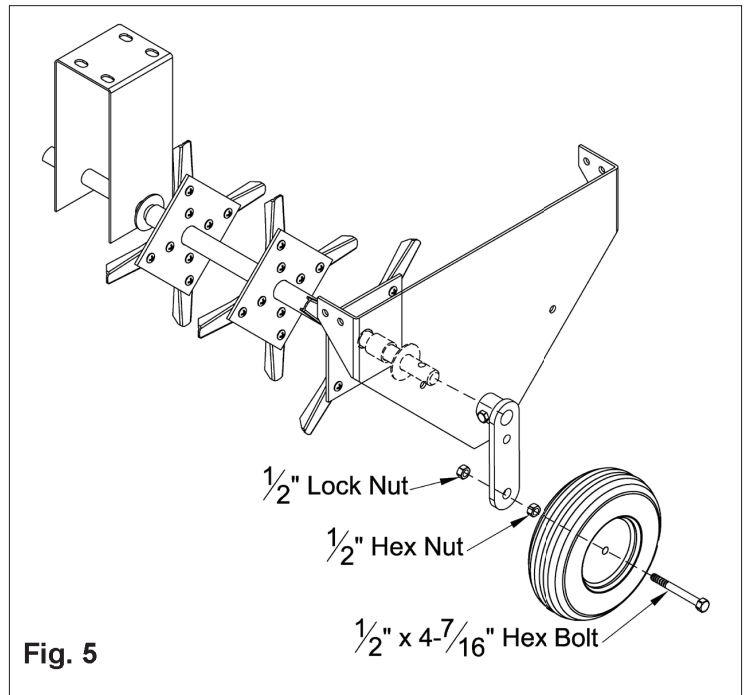
1. End plates
2. Wheel Brackets
3. Hex Bolts  $1/4" \times 1-9/16"$
4. Lock Nut  $1/4"$



#### Step 5: Attach Wheel Assembly

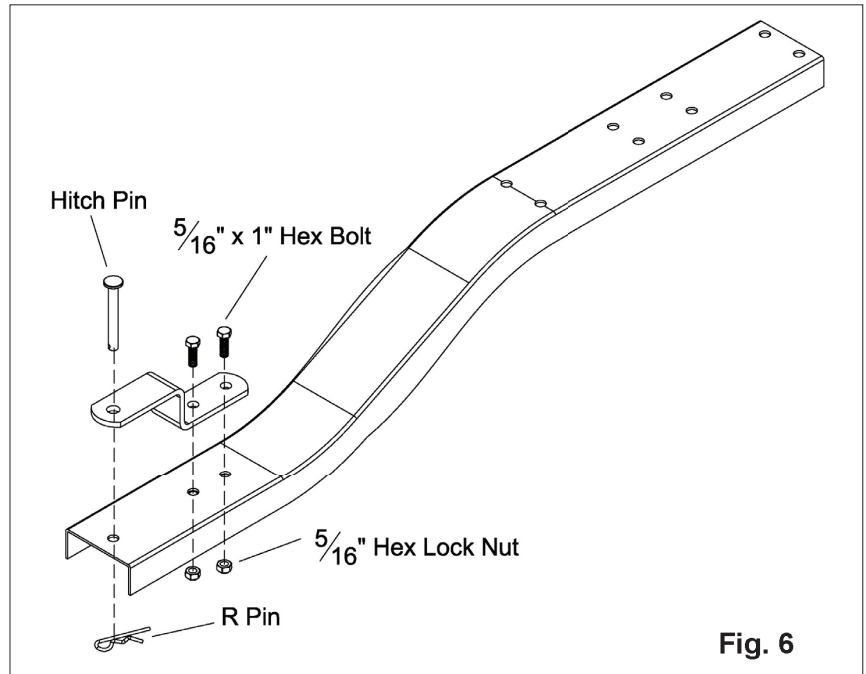
Insert  $1/2" \times 4-7/16"$  Hex Bolt through wheel assembly, install  $1/2"$  Hex nut on  $1/2" \times 4-7/16"$  Hex Bolt, Tighten nut on bolt until it's hand tight, then loosen hex nut  $1/2$  turn. Attach assembled wheel and  $1/2" \times 4-7/16"$  Hex Bolt on to wheel bracket and fasten with  $1/2"$  Lock Nut. Repeat for opposite side. See Fig. 5. Make certain wheels spin freely after assembly.

1. Wheel Assembly
2. Hex Bolt  $1/2" \times 4-7/16"$
3. Hex Nut  $1/2"$
4. Lock Nut  $1/2"$



### Step 6: Attach Hitch Bracket & Hitch Pin

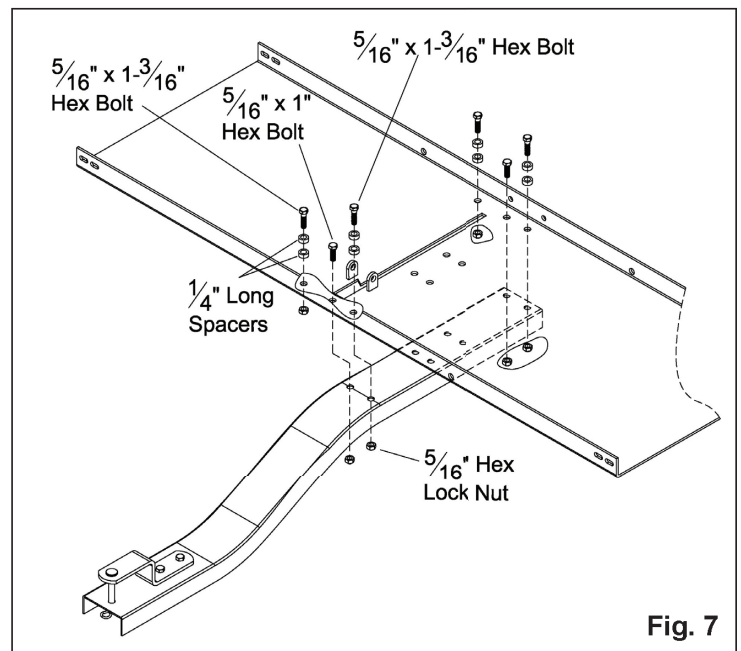
Attach hitch bracket to the tongue using 5/16" x 1" Hex Bolt and 5/16" Hex Lock Nut. Next, insert hitch pin through hitch bracket and the tongue secure with R Pin. See Fig 6. Fully Tighten connections.



### Step 7: Attach Tongue to Top Tray

Attach the tongue to the top tray with the large opening of the tray slot facing forward. Attach tongue using the top tray holes to right side of slot (viewing from front). For right side holes of tongue connection (view from front), use 5/16" x 1-3/16" Bolt, two 1/4" spacers per Bolt, and 5/16" Hex Lock Nut. For left side holes of tongue connection, use 5/16" x 1" Bolt and 5/16" Hex Lock Nut, no spacers. See Fig. 7 for detail. For holes left of tray slot (viewing from front) use 5/16" x 1-3/16" Hex Bolt, two 1/4" spacers per bolt and 5/16" Hex Lock Nut. Fully tighten all connections.

1. Hex Bolt 5/16 x 1-3/16"
2. Hex Bolt 5/16" x 1"
3. Lock Nut 5/16"
4. 1/4" Spacer

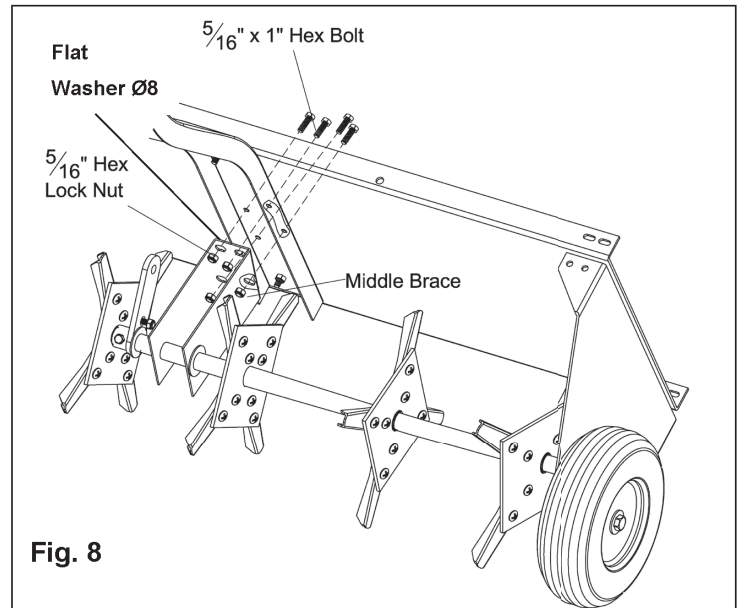




### Step 8: Attach Middle Brace

Position Top Tray between End Plates by leaning the Top tray into the End Plates. Temporarily attach right end plate to the top tray using two 5/16" x 7/8" bolts (See Fig. 8). Swing middle brace into position and fasten to top tray using 5/16" x 1" Bolts, and Ø8 Flat Washer and 5/16" Hex Lock Nuts. Do not fully tighten until final step.

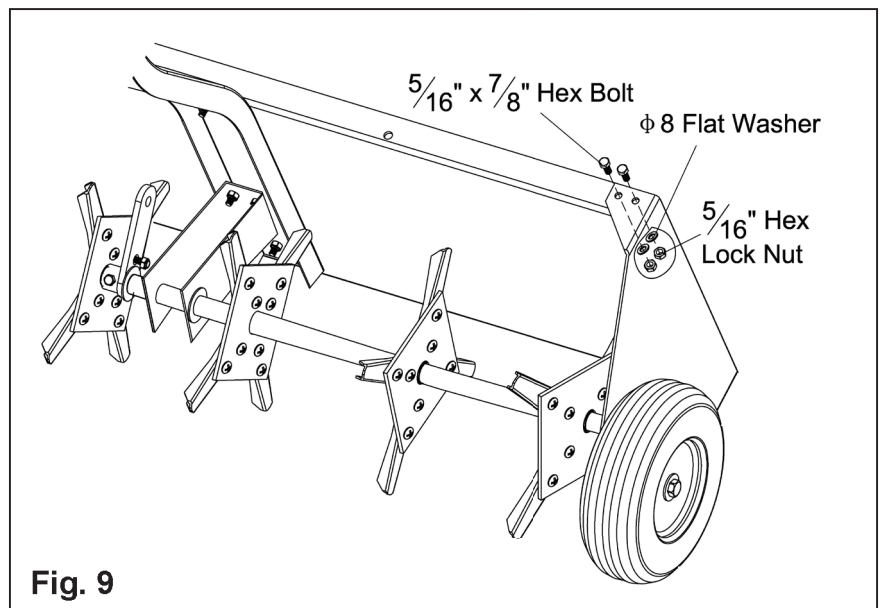
1. Hex Bolts 5/16" x 1"
2. Lock Nuts 5/16"
3. Middle Brace
4. Flat Washer Ø8



### Step 9: Secure Upper Tray

Attach both end plates to the top tray using 5/16" x 7/8" Hex Bolt, Ø8" Flat Washer and 5/16" Hex Lock Nut for each corner (2 connections per corner). Repeat for each corner. See Fig. 9. Do not fully tighten until final step.

1. Hex Bolt 5/16" x 7/8"
2. Lock nuts 5/16"
3. Washers Ø8



### Step 10: Attach Lift Handle

Place the lift handle through the large opening in the tray slot. Attach the lift handle to the wheel bracket smaller hole using the 5/16" x 1-3/16" bolt and 5/16" lock nut you pre-assembled earlier in step 2. Attach the lift handle to larger hole using a 5/16" x 1-3/16" Hex Bolt, shoulder spacer and 5/16" Hex Lock nut.

See Fig. 10 Fully tighten connections.

1. Hex Bolt 5/16" x 1-3/16"
2. Lock Nut 5/16"
3. Should Spacer

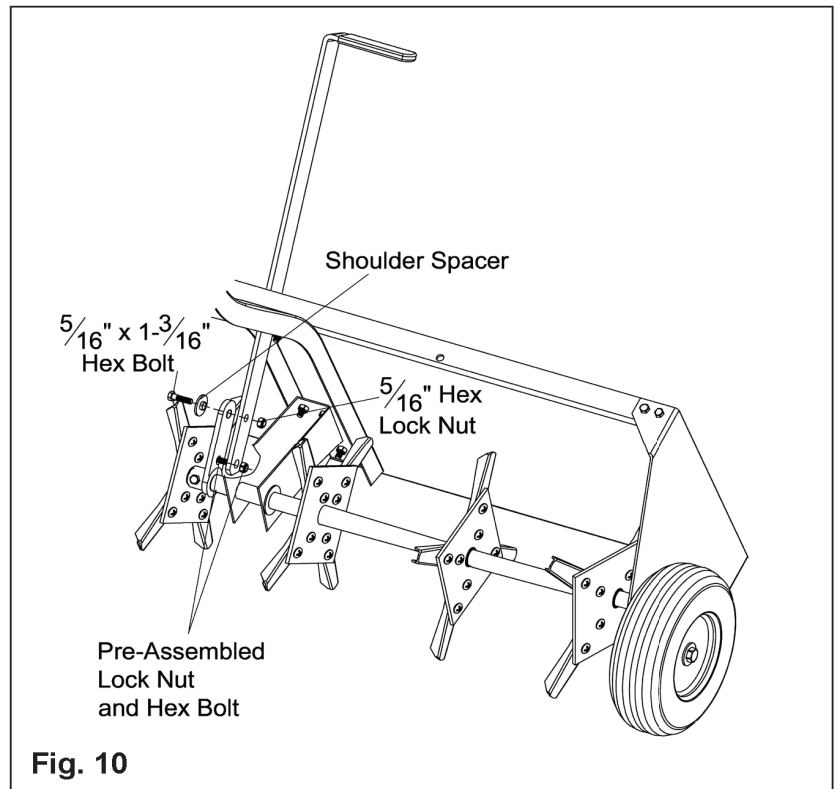


Fig. 10

### Step 11: Adjust Handle & Tighten Connections

Place the aerator right side up its wheels, locking the lift handle into the offset at the front of the tray slot. Perform the following steps to assure correct alignment of the light handle with the slot. Refer to Fig 11.

1. Adjust the tray side to side until the lift handle rests against the right side (viewed from the rear) of the offset at the front of the slot.
2. Straighten the end plates and then tighten the eight bolts at the corners of the tray, making sure the lift handle still rests against the right side of the slot offset.
3. Straighten the middle brace and tighten the two bolts which fasten it to the tongue.

Make sure the lift handle still rests against the right side of the slot offset. You should have to force the handle over into alignment with the slot when lowering the aerator.

The licking device could help to prevent the handle be sliding out when the aerator in running. But if you feel this device is not convenient, just take out the pin.

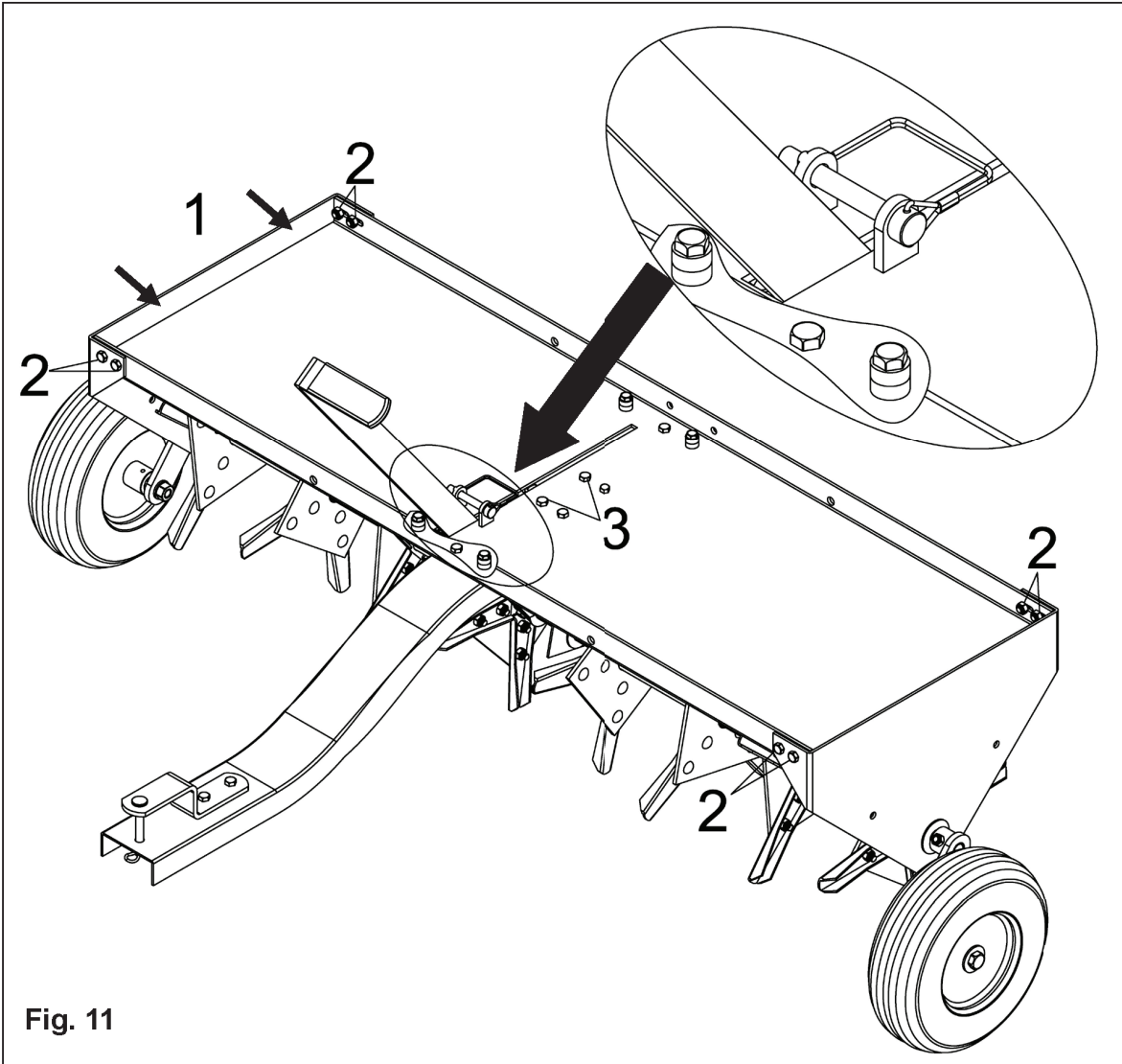


Fig. 11

## OPERATION

Aerating means pulling small soil plugs, ranging up to three inches in length, from the soil to create small reservoirs that will bring oxygen, fertilizer and water down into the roots.

For best aerator performance, the following lawn preparations and operating procedures are recommended.



**CAUTION: Points of aerator knives are sharp! Exercise caution at all times while assembling and using the aerator.**

1. Mow lawn and remove loose clipping prior to use of lawn aerator.
2. Start tractor engine with controls in neutral and place throttle at slow engine speed.
3. Engage shaft lever at lowest possible forward speed and lower aerator, allowing plugger points to enter the ground. Increase speed as conditions permit.
4. Aerate in the straightest line possible making overlapping passes to increase the plugger point pattern.
5. Avoid extremely sharp turns with plugger points engaged in ground to prevent damage to lawn.
6. DO NOT cross over walks or drives without first raising the aerator to the transport position.
7. On sloped lawns, always aerate in an up and down direction. DO NOT attempt to follow the corner of the ground.
8. To increase the depth of plugger point penetration, up to 440lbs, of weight, such as bags of sand or (4) concrete blocks, may be added to the tray. The weight can be secured to the tray with ties or straps fastened to the front and rear of the tray. Fasten so that the ties or straps cannot become entangled on rotating parts.
9. If the ground is extremely hard and dry, it is recommended that it be sprinkled or watered down for one or two hours prior to aerating.
10. DO NOT attempt to aerate if ground is too wet (muddy).
11. Due to small rocks and gravel which are normally present in aerated soil plugs, it is recommended that the plugs be rakes; otherwise, damage to the lawn mower blades may arise, especially when reel type mowers are used.



**CAUTION: To prevent injury, dismount from tractor to raise or lower aerator containing added weight.**

## MAINTENANCE

1. Plugger points can periodically be sharpened with a small grinder to maintain good pattern. Points should be removed to sharpen. Follow original angle and contour of points when grinding.
2. For storage, clean the aerator and lightly oil all exposed metal parts to prevent rust.

## LUBRICATE

1. Oil the spool assemblies and shaft as needed.
2. Oil the wheel as needed.

## PARTS LIST

REF	DESCRIPTION	QTY
1	Tray	1
2	Middle Brace	1
3	End Plate	2
4	Lift Handle	1
5	Hitch Tongue	1
6	Shaft	1
7	Hitch Bracket	1
8	Wheel	2
9	Wheel Bracket	3
10	Double Spool Assembly	2
11	Lock Pin	1
12	Hex Bolt 5/16" x 1-3/16"	6
13	Hex Bolt 5/16" x 1"	8
14	1/4" Long Spacer	8
15	Knife Tool	24
16	Carriage Bolt 5/16" x 7/8"	48
17	Hex Lock Nut 5/16"	70
18	Shoulder Spacer	1
19	Hex Bolt 5/16" x 7/8"	8
20	Flat Washer Ø8	12
21	Hex Bolt 1/4" x 1-9/16"	3
22	Hitch Pin	1
23	R Pin	1
24	Hex Bolt 1/2" x 4-7/16"	2
25	Lock Nut 1/2"	2
26	Single Spool Assembly	2
27	Hex Nut 1/2"	2
28	Split Plastic Bearing	8
29	Hex Lock Nut 1/4"	3
30	0.79" Long Spacer	1
31	1.61" Long Spacer	1
32	2.36" Long Spacer	1
33	Handle Grip	1
34	Flat Washer Ø20	4
35	2.76" Long Spacer	1



**BRABEREQ.COM**  
WGSALES@BRABEREQ.COM

**PHONE: 604-850-7770**  
**FAX: 604-850-7774**  
**TOLL FREE PHONE: 1-877-588-3311**  
**TOLL FREE FAX: 1-800-665-7334**