



OPERATOR AND PARTS MANUAL

Triplex Finishing Mower

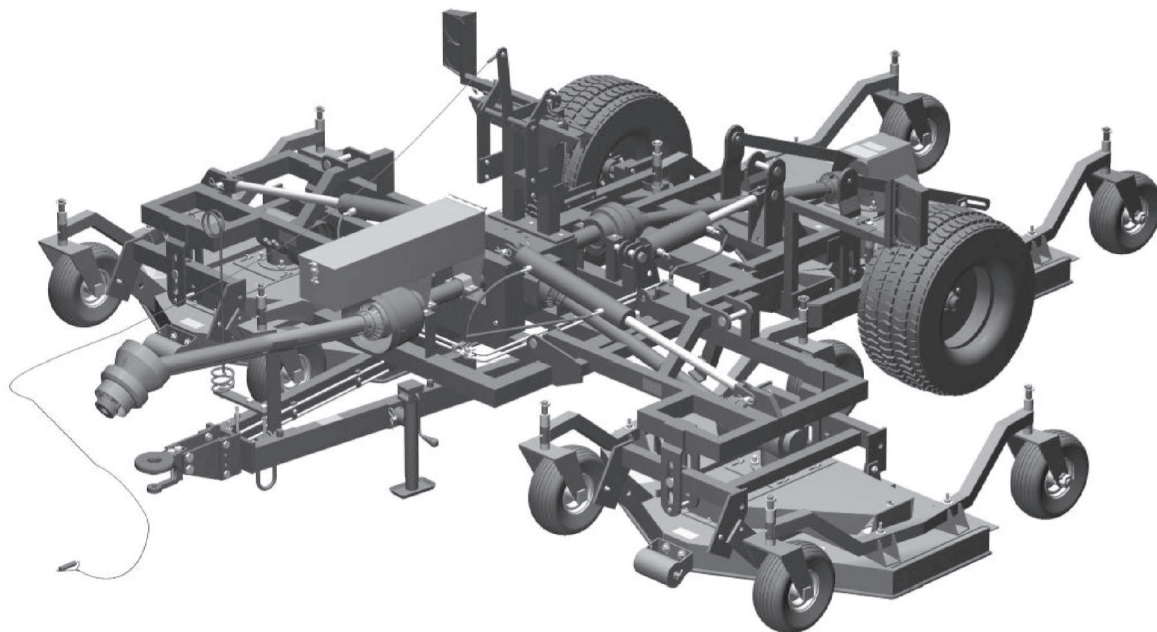


Table of Contents

- Introduction6**

- Safety.....7**
 - Safety Instruction7
 - General Safety8
 - Start-up Safety8
 - Operation Safety8
 - Transport Safety8
 - Service and Maintenance Safety9
 - Storage Safety9
 - Safety Signs9
 - Safety Sign Installation 10

- Assembly.....12**
 - Triplex Harness Routing16

- Operation18**
 - Theory of Operation18

- Maintenance19**
 - PTO Shafts20
 - Main CV PTO Shaft21
 - Mower Deck Wheel Bearings22
 - Triplex Wheel Bearings.....22
 - Blade Height Adjustment22
 - Triplex Splitter Gearbox and Mower Gearbox Lubrication23
 - Brass Bushing Replacement and Lubrication on Wings23
 - Triplex Frame Wing and Mower Spindle Lubrication24
 - Spindle Replacement.....25
 - Mower Deck Belt Adjustment.....25
 - UHMW Bushing Replacement25
 - Blade Replacement25
 - Service Notes26

- Bolt Torque27**
 - Checking Bolt Torque27

Parts	28
• Triplex Hitch Assembly Drawing.....	28
• 4' Triplex Hitch Main Frame Assembly Drawing	29
• 4' Triplex Hitch Main Frame Assembly Parts List	30
• 4' Triplex Hitch Side Wing Assembly Drawing	32
• 4' Triplex Hitch Side Wing Assembly Parts List	33
• 4' Triplex Hitch Rear Wing Assembly Drawing	34
• 4' Triplex Hitch Rear Wing Assembly Parts List	35
• 4' Triplex Hitch Latch Assembly Drawing	36
• 4' Triplex Hitch Latch Assembly Parts List	37
• 4' Triplex Hitch Hydraulic Assembly Drawing	38
• 4' Triplex Hitch Hydraulic Assembly Parts List	39
• 4' Triplex Hitch Side Mower Deck Assembly Drawing.....	40
• 4' Triplex Hitch Side Mower Deck Assembly Parts List.....	41
• 4' Triplex Hitch Center Mower Deck Assembly Drawing	44
• 4' Triplex Hitch Center Mower Deck Assembly Parts List	45
• 4' Triplex Hitch PTO Assembly Drawing	48
• 4' Triplex Hitch PTO Assembly Parts List	49
• 5', 6' & 7' Triplex Hitch Main Frame Assembly Drawing	50
• 5', 6' & 7' Triplex Hitch Main Frame Assembly Parts List	51
• Triplex Mower Tool Box Assembly Drawing and Parts List	53
• 5', 6' & 7' Triplex Hitch Side Wing Assembly Drawing	54
• 5', 6' & 7' Triplex Hitch Side Wing Assembly Parts List	55
• 5', 6' & 7' Triplex Hitch Rear Wing Assembly Drawing	56
• 5', 6' & 7' Triplex Hitch Rear Wing Assembly Parts List	57
• 5', 6' & 7' Triplex Hitch Latch Assembly Drawing.....	58
• 5', 6' & 7' Triplex Hitch Latch Assembly Parts List.....	59
• 5', 6' & 7' Triplex Hitch Hydraulic Assembly Drawing	60
• 5', 6' & 7' Triplex Hitch Hydraulic Assembly Parts List	61
• 5', 6' & 7' Triplex Hitch Side Mower Deck Assembly Drawing.....	62
• 5', 6' & 7' Triplex Hitch Side Mower Deck Assembly Parts List.....	63
• 5', 6' & 7' Triplex Hitch Center Mower Deck Assembly Drawing	66
• 5', 6' & 7' Triplex Hitch Center Mower Deck Assembly Parts List	67
• 5', 6' & 7' Triplex Hitch PTO Assembly Drawing	70
• 5', 6' & 7' Triplex Hitch PTO Assembly Parts List	71
• Finishing Mower Spindle Assembly Drawing	72
• Finishing Mower Spindle Assembly Parts List	73
• Finishing Mower Gearbox Drawing	74
• Finishing Mower Gearbox Parts List	75
• Triplex Mower Gearbox Drawing	76
• Triplex Mower Gearbox Parts List	77
• Triplex Main CV PTO Shaft Drawing.....	78
• 4' Triplex Main CV PTO Shaft Parts List	79

- 5', 6' & 7' Triplex Main CV PTO Shaft Parts List80
- Triplex Mower PTO Shafts Drawing82
- 4' Triplex Mower PTO Shafts Parts List.....83
- 5' Triplex Mower PTO Shafts Parts List.....84
- 6' Triplex Mower PTO Shafts Parts List.....85
- 7' Triplex Mower PTO Shats Parts List.....86
- 3 x 18 Cylinder Assembly Drawing and Parts List.....87
- 3 x 20 Cylinder Assembly Drawing and Parts List.....88
- 3.5 x 8 Cylinder Assembly Drawing and Parts List.....89
- Mower Deck Wheel Bearings Drawing and Parts List90
- Triplex Wheel Bearings Drawing and Parts List.....91
- Blade Height Adjustment Drawing and Parts List92
- Brass Bushing Replacement and Lubrication on Wings Drawing and Parts List.....93
- Mower Deck Belt Adjustment Drawing94
- Mower Deck Belt Adjustment Parts List95
- UHMW Bushing Replacement Drawing96
- UHMW Bushing Replacement Parts List.....97
- Blade Replacement Drawing and Parts List.....98

- Shipping Kit and Bundle Numbers99**

- Warranty 102**

Manufacturer’s statement: for technical reasons Buhler Industries Inc. reserves the right to modify machinery design and specifications provided herein without any preliminary notice. Information provided herein is of descriptive nature. Performance quality may depend on soil fertility, applied agricultural techniques, weather conditions and other factors.

Introduction

Allied has been making finishing mowers for more than 15 years. Three of these finishing mowers together create one magnificent volume grass trimmer: The Triplex Finishing Mower. Each high lift blade generates a powerful vacuum for a clean, crisp cut. Each deck floats independently over rolling terrain for a uniform, manicured trim. There is a 1-5/8" blade overlap on the YT450, while all the other models have a 2-5/8" blade overlap. This overlap helps to prevent stripping, especially when turning. The standard front UHMW roller prevents scalping on uneven turf. The mower remains level and achieves an even cutting height thanks to a 3-position hitch that adjusts to nearly any tractor.

A cast clevis hitch is standard and a 2-5/16" ball hitch is optional for road transport.

The decks are lifted into position by hydraulic cylinders and are automatically locked in place for transport. Release the decks by pulling a cable or by using the optional hydraulic system. A locking safety bar is available when towing longer distances.

Decks and structural supports are heavy-duty with solid reinforcing rods around the edges. The drive shafts and gear box is fully protected and guarded. Each wheel yoke assembly includes a cutting height adjustment on the 1-1/4" wheel yoke shaft. Tapered roller bearings in the wheel hubs ensure long-term reliability without needing frequent lubrication.

The model YT750 has four wheels on each of the three decks. Models YT650 and YT550 have four wheels on the wing decks and two on the centre deck. The YT450 has three wheels on the wing decks and two on the center deck.

Keep this manual handy for frequent reference. All new operators or owners must review the manual before using the equipment and at least annually thereafter. Contact your Allied Dealer if you need assistance, information, or additional copies of the manual. Visit our website at www.buhlerindustries.com for a complete list of dealers in your area.

The directions left, right, front and rear, as mentioned throughout this manual, are as seen facing in the direction of travel of the implement.

Safety

Safety Instructions

Remember, YOU are the key to safety. Good safety practices not only protect you, but also the people around you. Make these practices a working part of your safety program. Be certain that everyone operating this equipment is familiar with the recommended operating and maintenance procedures and follows all the safety precautions. Most accidents can be prevented. Do not risk injury or death by ignoring good safety practices.

The alert symbol is used throughout this manual. It indicates attention is required and identifies hazards. Follow the recommended precautions.



The safety alert symbol means...
ATTENTION! BECOME ALERT! YOUR SAFETY IS INVOLVED!



CAUTION

The caution symbol indicates a potentially hazardous situation that, if not avoided, may result in minor or moderate injury. It may also be used to alert against unsafe practices.



WARNING

The Warning Symbol indicates a potentially hazardous situation that, if not avoided, could result in death or serious injury, and includes hazards that are exposed when guards are removed. It may also be used to alert against unsafe practices.



DANGER

The Danger Symbol indicates an imminently hazardous situation that, if not avoided will result in death or serious injury. This signal word is to be limited to the most extreme situations, typically for machine components that, for functional purposes, cannot be guarded.

General Safety Instructions

- Have a first-aid kit available for use and know how to use it.
- Have a fire extinguisher available, stored in a highly visible location, and know how to use it.
- Wear appropriate protective gear. This list may include but is not limited to:
 - hard hat
 - protective shoes with slip resistant soles
 - protective glasses or goggles
 - heavy gloves
 - wet weather gear
 - hearing protection
 - respirator or filter mask
- Read and understand the Operator's Manual and all safety signs before operating, servicing, adjusting, repairing, or unplugging the equipment.
- Do not attempt any unauthorized modifications to your Farm King product as this could affect function or safety, and could affect the life of the equipment.
- Never start or operate the mower except from the operator's station on the power unit.
- Inspect and clean the working area before operating.
- Keep hands, feet, clothing, and hair away from moving parts.
- Ensure bystanders are clear of the area before operating.

Start-up Safety

- Do not let inexperienced operators or children run this equipment.
- Place all tractor and machine controls in neutral before starting.
- Operate only with ROPS and seatbelt equipped tractors.
- Do not operate inside a building unless there is adequate ventilation.
- Ensure all shields are in place and in good condition before operating.
- Stay clear of PTO shaft and machine when engaging PTO.

Operation Safety

- Do not permit riders.
- Do not wear loose fitting clothing during operation.
- Never operate over 540 PTO rpm speed.
- Never operate the equipment in the raised position.

Transport Safety

- Review Transport Safety instructions in tractor manual before moving.
- Check with local authorities regarding transport on public roads. Obey all applicable laws and regulations.
- Do not tow equipment that does not have brakes at speeds over 20 mph (32km/h).
- Do not tow equipment that does not have brakes that, when fully loaded, has a mass (weight) over 3300 lb (1.5 t) and more than 1.5 times the mass (weight) of the towing unit.
- Make sure the SMV (Slow Moving Vehicle) emblem and all the lights and reflectors that are required by the local highway and transport authorities are in place, are clean, and can be seen clearly by all overtaking and oncoming traffic.

- Never have the equipment in operation during transport.
- The equipment should never be towed without the safety chain securely attached to the unit and the towing vehicle.
- Always travel at a safe speed.
- Inflate transport tires to recommended pressure.

Service and Maintenance Safety

- Stop engine, set brake, remove ignition key, and wait for all moving parts to stop before servicing, adjusting, repairing, or unplugging.
- Support the equipment with blocks or safety stands before working beneath it.
- Follow good shop practices including:
 - keep service area clean and dry
 - be sure electrical outlets and tools are properly grounded
 - use adequate light for the job.
- Use only tools, jacks, and hoists of sufficient capacity for the job.
- Replace and secure all shields removed during servicing before operating.
- Use heavy leather gloves to handle sharp objects.
- Failure to follow proper procedures when mounting a tire on a wheel or rim can produce an explosion, which may result in serious injury or death.

Storage Safety

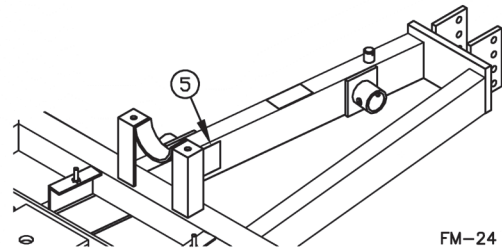
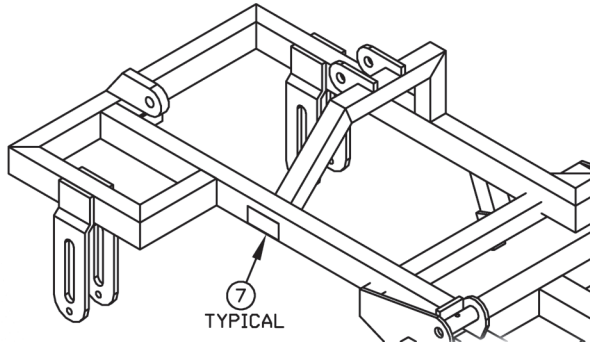
- Store the unit in an area away from human activity.
- Do not permit children to play on or around the stored machine.
- Support the frame on stands and blocks to provide a secure base.

Safety Signs

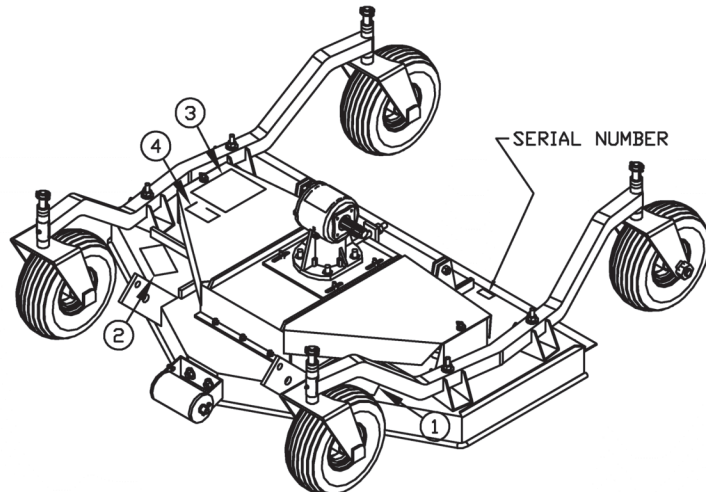
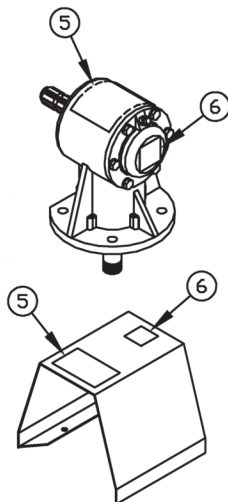
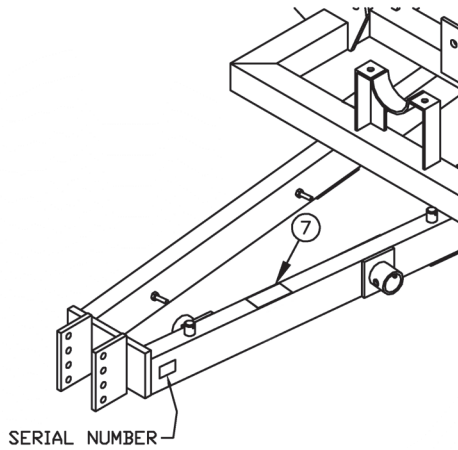
- The following illustration (pages 10 & 11) shows the approximate location and detail of safety signs.
- Keep all safety signs clean and legible and replace any that are damaged or missing.
- When original parts are replaced, any safety signs affixed to those parts should be replaced as well. Replacement safety signs are available from your local dealer.

Installation

- To install safety signs, ensure the installation area is clean and dry. Decide on the exact position before you remove the backing paper. Remove the smallest portion of the split backing paper and align over the specified area. Carefully press in place.
- Slowly peel back the remaining paper and smooth the remaining portion in place. Small air pockets can be pierced with a pin and smoothed out.
- Replace safety signs immediately should they become damaged, torn or illegible. Obtain replacements from your authorized dealer using the part numbers shown.



FM-24



FM-25

! WARNING

YOU MUST NOT OPERATE THIS MACHINE UNLESS:

1. YOU ARE TRAINED IN ITS SAFE OPERATION AND
2. YOU KNOW AND FOLLOW MANUFACTURER'S SAFETY AND OPERATING INSTRUCTIONS AS OUTLINED IN THE OPERATOR'S MANUAL.

AN UNTRAINED OPERATOR SUBJECTS HIMSELF AND OTHERS TO SERIOUS INJURY OR DEATH.


1 966702

! CAUTION

- READ OPERATOR'S MANUAL BEFORE USING.
- ONLY TRAINED, COMPETENT PERSONS SHALL OPERATE THIS EQUIPMENT.
- KEEP ALL SHIELDS IN PLACE.
- KEEP HANDS, FEET, CLOTHING AND HAIR AWAY FROM MOVING PARTS.
- STOP ENGINE, SET BRAKE, REMOVE KEY AND WAIT FOR ALL MOVING PARTS TO STOP BEFORE SERVICING, ADJUSTING, REPAIRING AND UNPLUGGING.
- REMOVE BYSTANDERS, ESPECIALLY CHILDREN, BEFORE STARTING OR WHILE OPERATING.
- BLOCK UP BEFORE WORKING BENEATH UNIT.
- LOWER THE MOWER WHEN PARKING OR STORING.
- REVIEW SAFETY INSTRUCTIONS ANNUALLY.

2 966703

! DANGER




KEEP AWAY - ROTATING BLADES

SERIOUS INJURY OR DEATH CAN RESULT FROM THROWN OBJECTS OR BLADE CONTACT.

- DO NOT STAND ON OR NEAR MACHINE WHEN IN OPERATION.
- DO NOT OPERATE WITH DEFLECTORS OR GUARDS REMOVED.
- USE SPECIAL CARE WHEN OPERATING IN POPULATED OR CONGESTED AREAS.

3 966704

! WARNING



- ENSURE DRIVELINE SHIELDS ARE IN PLACE AND IN GOOD CONDITION BEFORE OPERATING.
- PTO OPERATING SPEED IS 540 RPM.
- ALWAYS REMOVE TRACTOR KEY, SET PARK BRAKE AND PLACE MOWER IN LOWEST POSITION WHEN UNATTENDED.
- ENSURE ROTATION OF ALL COMPONENTS HAS STOPPED BEFORE SERVICING.

5 966701

! CAUTION

- DO NOT PERMIT RIDERS.
- KEEP SHIELDS IN PLACE.
- ENSURE EVERYONE IS CLEAR OF AREA, ESPECIALLY CHILDREN, BEFORE OPERATING.

4 966700

CHECK OIL LEVEL BEFORE USING

6 967388

! WARNING

CHECK PTO SHAFT LENGTH BEFORE RAISING OR LOWERING IMPLEMENT. SHAFT MUST NOT BOTTOM OR SEPERATE (SEE MANUAL)

7 108431

Assembly Instructions

1. Pull apart the main frame bundle and separate the parts. Identify and locate parts using drawings and parts lists.
2. (4') & 60 (5' – 7'): Mount the stub axles (#4) to both sides of the main frame (#1) using 1/2" x 1-3/4" hex bolts, lock washers and hex nuts. 5' & 6' only: Two axle extensions (#2) must be bolted to the main frame before bolting on the stub axles. The u-shaped notch on the flat plate should face the back of the frame. The stub axles then bolt to these axle extensions.

All stub axle weldments are offset to improve clearance between transport wheels and mower wheels. The narrow side of the offset is turned to the bottom of the mainframe for 4' mowers. The narrow side of the offset is turned to the back of the main frame for 5' and 6' mowers. For 7' mowers the narrow side of the offset is turned to the front of the main frame.

Mount wheels and tires to the stub axles using 1/2" wheel bolts. Level the frame by mounting the jack (#10) at the front.

3. (4') & 64 (5' – 7'): Mount the left and right wings (#1) to the main frame using 1" x 3-1/4" pins (#11) (4') or 1" x 5-5/8" pins (#12) (5' – 7') and 1/4" x 1-1/2" cotter pins. The offset part of the side wing faces the front of the frame as shown in drawing. Install a 1" x 7" pin (#13) (4") or a 1" x 6-1/8" pin (#13) (5' – 7') through the two clevises at the top of each side wing. These will be used for the side latch.
4. (4') or 70 (5' – 7'): Install 18" (4') or 20" (5' – 7') cylinders (#1) on each side wing. The base of the cylinder attaches to the gearbox cover (#7) and the rod end to the welded cylinder clevis on the side wings. Cylinder ports should face the front of the frame. Use 4" pins supplied with cylinder at both base ends, and 1" x 4-3/8" pins (#17) at top ends.

(4'): Install the other 18" cylinder (#1) on the rear wing (#1). The base of the cylinder attaches to the gearbox cover weldment (#7). Use 1" x 3-1/4" pins (#15) at each end of the cylinder.

(5' – 7'): Install the 8" cylinder (#2) on the rear wing (#1). The base of the cylinder attaches to the main frame just below the rear latch (#4). The rod end of the cylinder attaches to the lower hole in the welded bracket on the rear wing (#1). Cylinder ports face to the outside of the frame. Use 1" x 4-1/2" pins (#22) at both ends of cylinder.

5. (4'): Install restrictor valves (#18) in all six cylinder ports. The center cylinder, use both 30" hoses (#5) at base and at top. The side cylinders use a 48" hose (#6) at top and a 30" hose (#4) at the base of the cylinder.

(5' – 7'): Install restrictor valves (#3) in all six cylinder ports. The 8" cylinder uses a 18" hose (#6) at the base and a 24" hose (#5) at the top of the cylinder. The 20" cylinders use a 34" hose (#7) at the base and a 54" hose (#8) at the top of the cylinder.



ALERT

All 3 hoses from the base of the cylinders must connect to the same hydraulic line. Likewise all 3 hoses from the top of the cylinders connect to the same hydraulic line. Serious damage will result if this is not done.

6. (4'): Bolt the latch stand (#1) to the gearbox cover (#7) using 1/2" x 1-1/2" hex bolts, flat washers, lock washers and hex nuts. The flat irons welded to the rod weldment face to the rear of the main frame. Bolt the side latches (#6) to the top of the latch stand using 3/4" x 3" hex bolts (#19) and lock nuts (#20). The latches must swivel freely after tightening the lock nuts. The welded brackets on the side face the back of the main frame and the hooks on the ends face down. The two short springs (#10) hook from the welded bracket on both side latches to the brackets welded to the latch stand. The long spring (#9) hooks onto the side of the rear latch and to a welded piece just below on the main frame. Install 2 – 1" x 3-1/4" pins (#8) on the rear wing.

(5' – 7'): Bolt the latch stand (#1) to the gearbox cover (#7) using 1/2" x 1-1/2" hex bolts, lock washers and hex nuts. Bolt the rod supports (#3) to the stand using the same size of hardware. The rod supports should face the front of the main frame. Bolt to outside of welded brackets. The latch rod weldment (#2) fits through the 1" holes in the rod supports (#3). This must be assembled just prior to bolting on the rod supports. The flat irons welded to the rod weldment face to the rear of the main frame. Bolt the left and right side latch (#5 & #6) to the top of the latch stand using 5/8" x 4-1/2" hex bolt and lock nuts. The latches must swivel freely after tightening the lock nuts. The welded brackets on the side face the back of the main frame and the hooks on the ends face down. The two short springs (#9) hook from the welded bracket on both side latches to the brackets welded to the latch stand. The long spring (#8) hooks onto the side of the rear latch (#4) and to a welded piece just below on the main frame. Install a 1" x 5-5/8" pin (#10) in the upper hole on the rear wing just above the cylinder pin.

7. (4'): Bolt the latch cable (#3) to the long bracket facing up using a 3/8" x 1-1/4" hex bolt. Bolt the end of one 20 link chain (#12) to the chain tightener (#27) and the other end of the chain to the welded bracket on the rear latch (#4 & #5) using 3/8" x 1-1/4" hex bolts, flat washers, lock washers and hex nuts. The 6 link chains (#11) bolt to the inner hole on the bracket and to the top of the side latch (#6). The 6 link chain connects to each side latch.

(5' - 7'): There are 4 flat irons welded to the latch rod weldment (#2). Ignore the bottom one with the double clevis. Bolt the latch cable (#12) to the long bracket facing up using a 3/8" x 1" hex bolt. Bolt one end of the 26 link chain (#11) to the chain tightener (#29) and the other end of the chain to the welded bracket on the rear latch (#4) using 3/8" x 1-1/4" hex bolts, flat washers, lock washers and hex nuts. The 6 link chains (#10) bolt to the open hole on the latch weldment flat irons (#2) and to the top of the side latch (#5 & #6). A 6 link chain connects to each side latch.

8. (4'): Mount tires in the yokes on all the mower decks.

	<u>ALERT</u>	4' mower only gets two tires on the center mower, 3 tires on side decks.
--	---------------------	--

(5' – 7'): Mount tires in the yokes on all the mower decks.

	<u>ALERT</u>	5' & 6' mower only get two tires on the center mower.
--	---------------------	---

9. (4'): Bolt the deck mounts (#2) to the left and right mowers. The deck mounts are left and right. The cross bar goes to the outside of the mower as shown in the drawing. The square flat iron bolts between the two brackets welded to the front of the mower decks using hardware in the deck. The tapered flat irons bolt to the inside of the plates welded to the back of mower deck.

(5' – 7'): Bolt the deck mounts (#2) to the left and right mowers. The deck mounts are left and right. The cross bar goes to the outside of the mower as shown in the drawing. The square flat iron bolts between the two brackets welded to the back of the mower decks using hardware in the deck. The tapered flat irons bolt to the inside of the plates welded to the front of mower deck.

10. (4'): Connect left and right mowers to the side wings. The slots in the side wings fit over the bushings in the deck mounts. Insert 1" x 5-5/8" pins (#12) with a flat washer on each side and a poly wear washer on both sides of the bushing. Hold in place with a 1/4" x 1-1/2" cotter pin. A 5/8" x 5" bolt fits through the round hole under the slot. This bolt goes through a 3-1/8" long bushing which fits under the cross bar on the deck mount. Use a lock washer and hex nut.



ALERT

The 5" bolt must be installed with the head on the inside or the tip of the bolt will hook on the tightener rod on the mower gearbox.

(5' – 7'): Connect left and right mowers to the side wings. The slots in the side wings fit over the bushings in the deck mounts. Insert 1" x 5-5/8" pins (#12) with a flat washer on each side and a poly wear washer on both sides of the bushing. Hold in place with a 1/4" x 1-1/2" cotter pin. A 5/8" x 5" bolt fits through the round hole under the slot. This bolt goes through a 3-1/8" long bushing which fits under the cross bar on the deck mount. Use a lock washer and hex nut.



ALERT

The 5" bolt must be installed with the head on the inside or the tip of the bolt will hook on the tightener rod on the mower gearbox.

11. (4'): Mount the rear mower to the rear wing. The 1" x 29-3/8" rear wing bar (#3) fits through the slots in the rear wing and the 1" holes in the brackets welded to the front of the mower. Put a poly wear washer under a flat washer and cotter pin at each end of the bar.



ALERT

One transport tire must be removed from the main frame to insert this pin. Bolt the two pivot bars (#2) to the rear mower. The end with the round hole bolts to the top of the rear wing using a 5/8" x 3" hex bolt and lock nut. The bar must still turn freely after tightening. The slotted end bolts between the two brackets welded to the back of the mower deck using hardware in the deck.

(5' – 7'): Mount the rear mower to the rear wing. The 1" x 29-3/8" rear wing bar (#3) fits through the slots in the rear wing and the 1" holes in the brackets welded to the front of the mower. Put a poly wear washer under a flat washer and cotter pin at each end of the bar.



ALERT

One transport tire must be removed from the main frame to insert this pin. Bolt the two pivot bars (#2) to the rear mower. The end with the round hole bolts to the top of the rear wing using 5/8" x 2" hex bolts and lock nuts. The bar must still turn freely after tightening. The slotted end bolts between the two brackets welded to the back of the mower deck using hardware in the deck. 5' & 6' only: The stubs at the front of the axles should be positioned inside the u-shaped area on top of the axle extensions (#2).

12. (4'): Bolt the PTO guards to the gearboxes. The large guard (#7) bolts to the front of the main frame gearbox using 3/8" x 3/4" hex bolts, flat washers and lock washers. The small guards will have two different hole patterns. One guard (#6) bolts to the back of the main frame gearbox using the same hardware as above. The other two guards (#60) bolt to the left and right mower gearboxes using 5/16" x 5/8" hex bolts, flat washers and lock washers.

(4'): Bolt the PTO guards to the gearboxes. The large guard (#7) bolts to the front of the main frame gearbox using 3/8" x 3/4" hex bolts, flat washers and lock washers. The small guards will have two different hole patterns. One guard (#6) bolts to the back of the main frame gearbox using the same hardware as above. The other two guards (#60) bolt to the left and right mower gearboxes using 5/16" x 5/8" hex bolts, flat washers and lock washers.

13. (4'): Attach the PTO shafts. The large CV PTO (#3) attaches to the front of the gearbox with the CV end resting in the PTO stand at the front of the main frame. On the 4' mower all three mowers PTO's are the same.

(5' - 7'): Attach the PTO shafts. The large CV PTO (#3) attaches to the front of the gearbox with the CV end resting in the PTO stand at the front of the main frame. For the 5' & 6' mowers the rear PTO (#4) is the longest of the three mower PTO's. On the 7' mower all three mowers PTO's are the same. The PTO's to the side mowers (#5) are always the same size.

14. (5' - 7'): Mount the toolbox weldment to the PTO assembly with the parts and hardware shown. Make sure that the toolbox is mounted as far as possible back to the gearbox.

15. Page 42 (4'): Bolt the hose holder (#3) to the front of the main frame. Bolt the hose holder to the hold at the end of the frame bracket using a 1/2" x 1-1/2" hex bolt, flat washer, lock washer and hex nut.

(5' - 7'): Bolt the hose holder (#3) to the front of the main frame. The 5-1/2" long hose holder bracket (#34) goes under the frame and the 11-3/8" hose holder bracket (#38) goes on top. Bolt together using two 1/2" x 6" hex bolts, lock washers and hex nut. Bolt the hose holder to the hold at the end of the 11-3/8" hose holder bracket using a 1/2" x 1-1/2" hex bolt, flat washer, lock washer and hex nut.

16. (4'): Assemble the front clevis to the frame using four 5/8" x 1-3/4" hex bolts, lock washers and hex nuts.

(5' - 7'): Assemble the front clevis to the frame using four 5/8" x 1-3/4" hex bolts, lock washers and hex nuts.

17. (4'): Attach the two 84" hoses (#3) to the hydraulic lines. The ends of the hose hang in the hose holder (#3).

(5' – 7'): Attach the two 84" hoses (#4) to the hydraulic lines. The ends of the hose hang in the hose holder (#3).

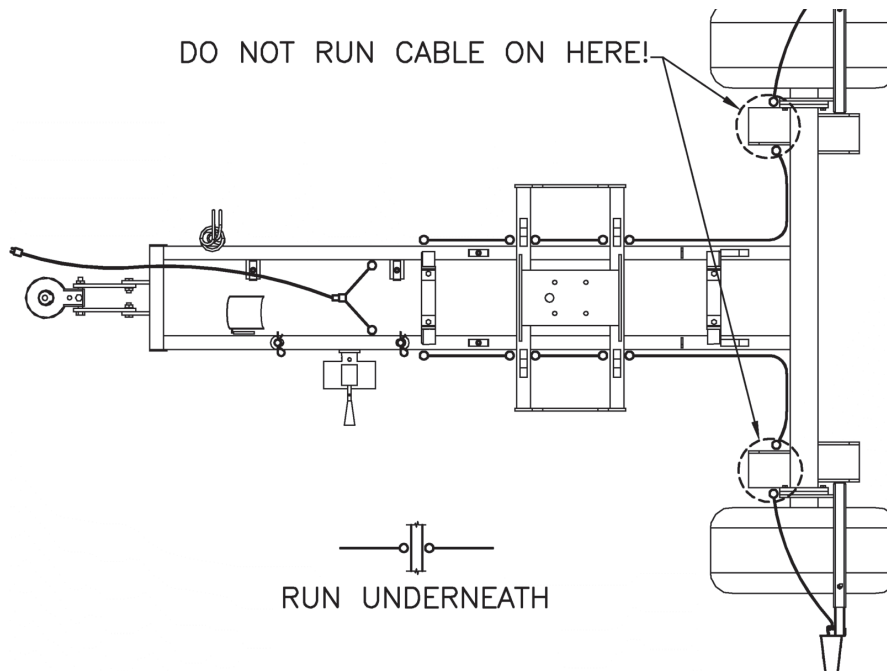
18. Check the following after assembly:

- Check that all hardware is installed and tight.
- Check that all shields on mowers and frame are installed and tight.
- Joints secured with lock nuts that must swivel during operation must turn freely after tightening.
- Check that PTO ends are securely attached.
- Check that all hydraulic fittings are tight. Leaks in hydraulics can cause serious eye injuries.
- Check that all hoses are attached to the correct hydraulic line as per step.
- With the frame in transport position, pull the latch cable. Be certain all three latches release fully. Adjust chain length if necessary.

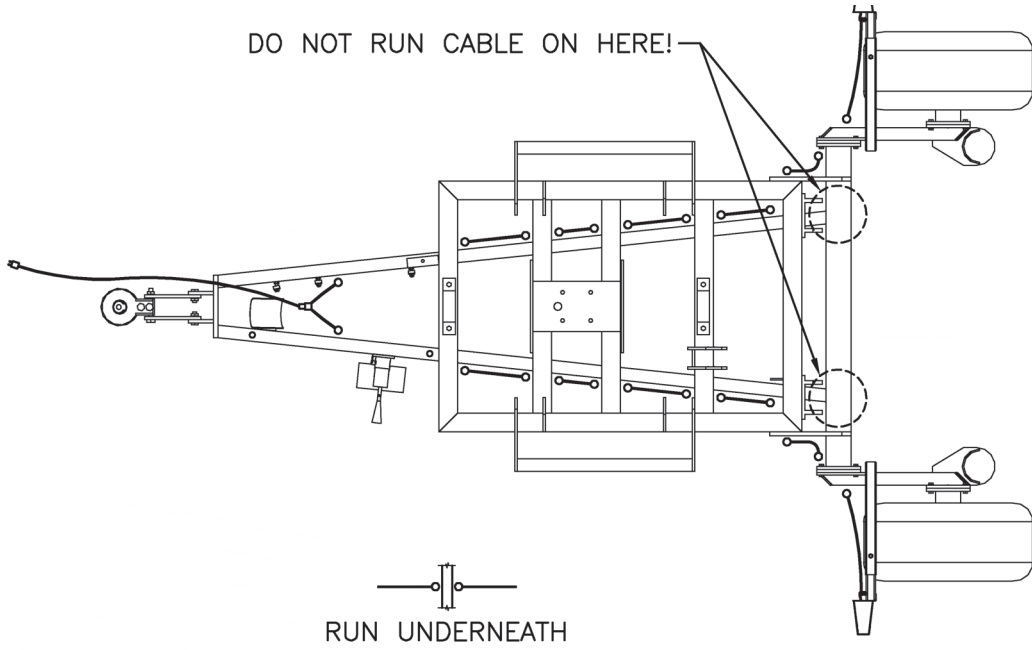
Triplex Harness Routing

- When installing the light kits, run the harness as shown on the following illustrations.
- Be careful not to run the cables on the outlined areas because they could get damaged.
- **NOTE:** The 7' Triplex does not have axle extensions.

4' Triplex

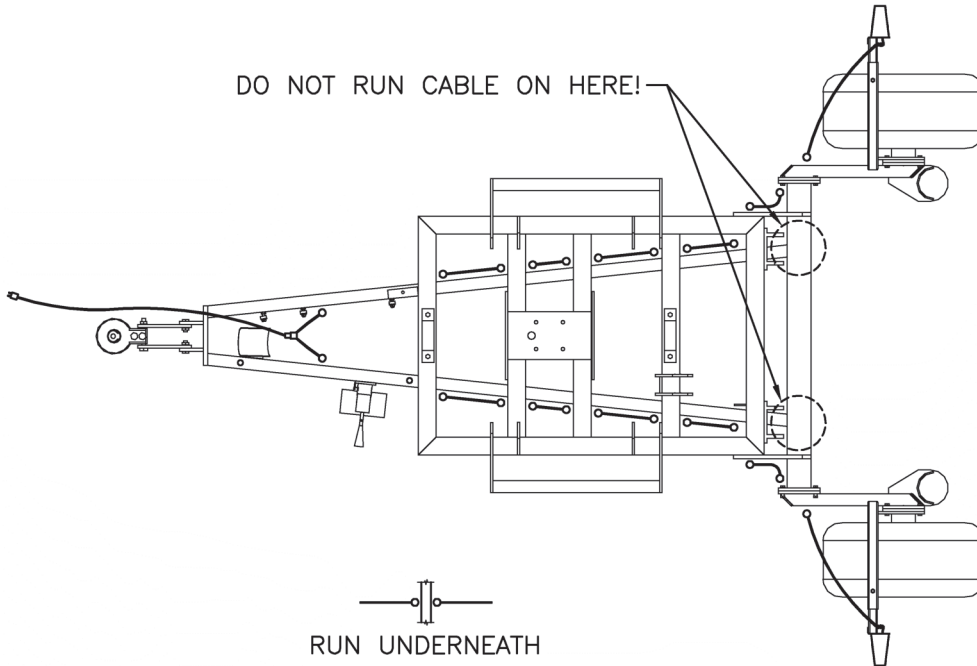


5' & 7' Triplex



FM-29

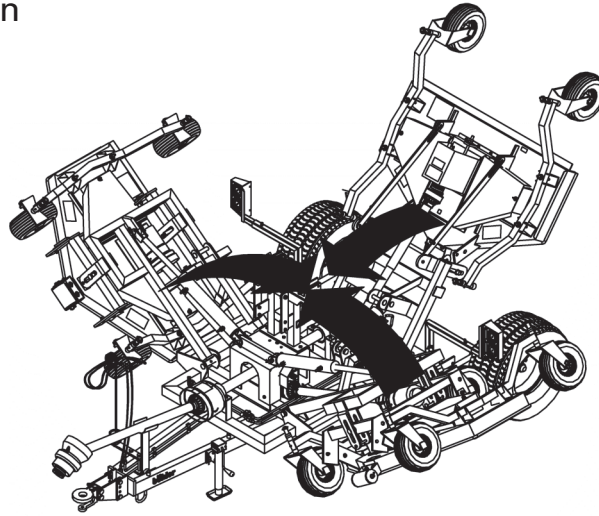
6' Triplex



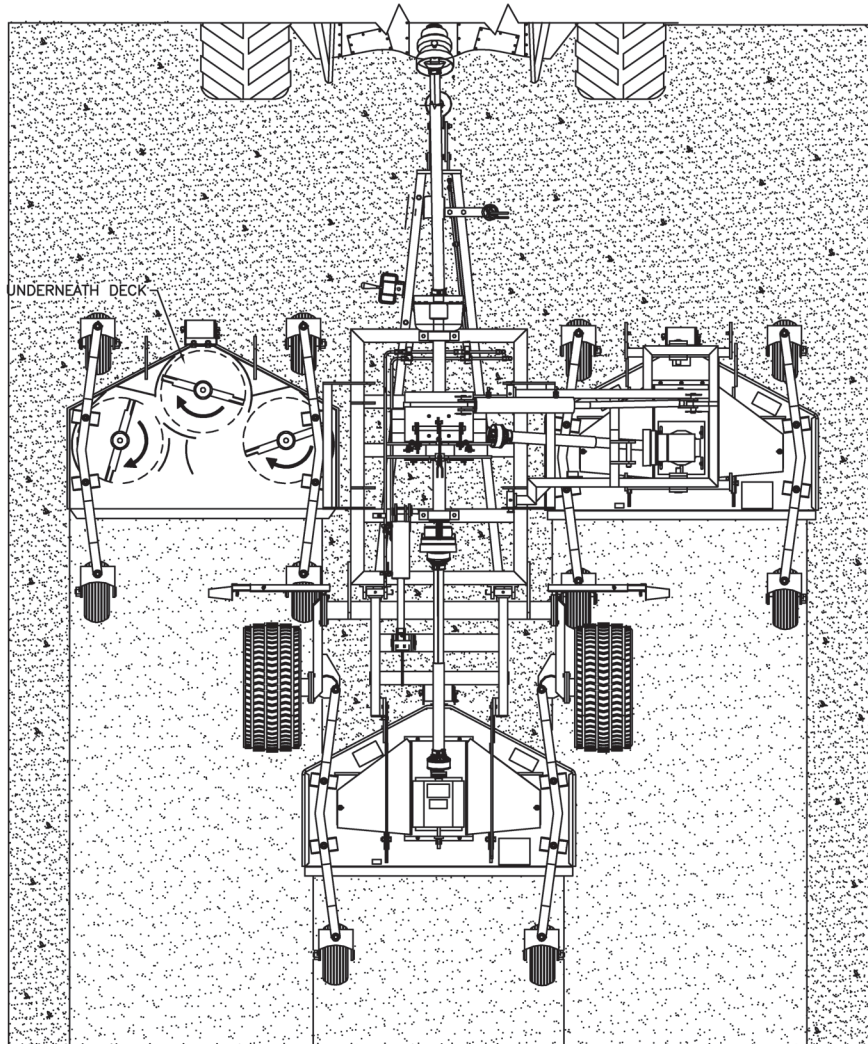
FM-30

Operation Instructions

Theory of Operation



FM67



FM68

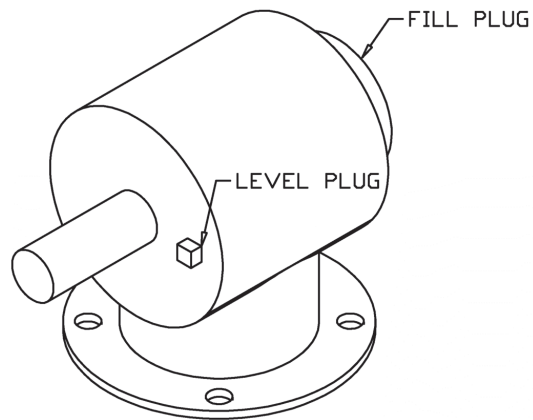
Maintenance

1. Gearboxes: The gearboxes should be filled with SAE 90 oil to the bottom of level plug when shipped. Check the mowers and splitter box before using and at regular intervals (approx. every 40 hours). See that this oil level is maintained.
2. Grease wing assemblies, wheel yokes and PTO u-joints approximately every 8 hours. Lubricate the telescoping PTO tube and the quick release collars on the ends of the shaft about every 20 hours. Clean all grease fittings before injecting grease and immediately replace any damaged or missing grease fittings. When using the safety chains supplied with the PTO shaft, the shield bearings must be kept lubricated. Transport wheel bearings should be repacked once a year.

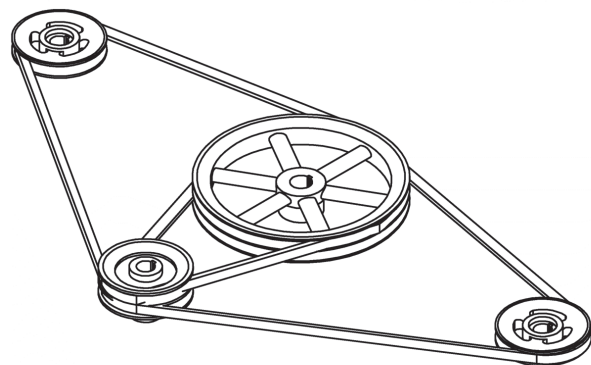
The mower wheel bearings are packed in grease when they are shipped. They should be re-packed in fresh grease once a year or every 200 hours of usage.

3. Shielding: Always keep all shielding in place and repair or replace if damaged.
4. Blades: When replacing or grinding blades, all blades must be replaced or reground at the same time to maintain the proper balance in the cutting unit. Block up the mower securely before attempting to remove the blades. Use heavy leather gloves to handle the blades. Be sure to tighten center bolt and lock washer securely when replacing blades. Use a torque wrench to re-tighten spindle bolts to 180 ft-lbs. The bolts have a patch of thread lock material pre-applied which will hold for up to five usages. Always replace the lock washer with an extra heavy duty as supplied with the spindle.
5. Belts: Remove the belt guards to check belt tightness. The center of the belt span should deflect about 1/2" with nominal pressure. If the belts slip or are too loose, the bolts holding the gearbox must be loosened. Use the threaded tightener rod on the gearbox mount to tighten the belts. Lock the rod in place and re-tighten the gearbox bolts when the belts are properly tightened. Replace belt guards.

Changing belts follows the same procedure as given in the preceding paragraph, except you will have to loosen the belts further to remove them. The belt installation is shown in the following drawing.



FM-60



FM-61



ALERT

Belts should always be replaced in matched sets.

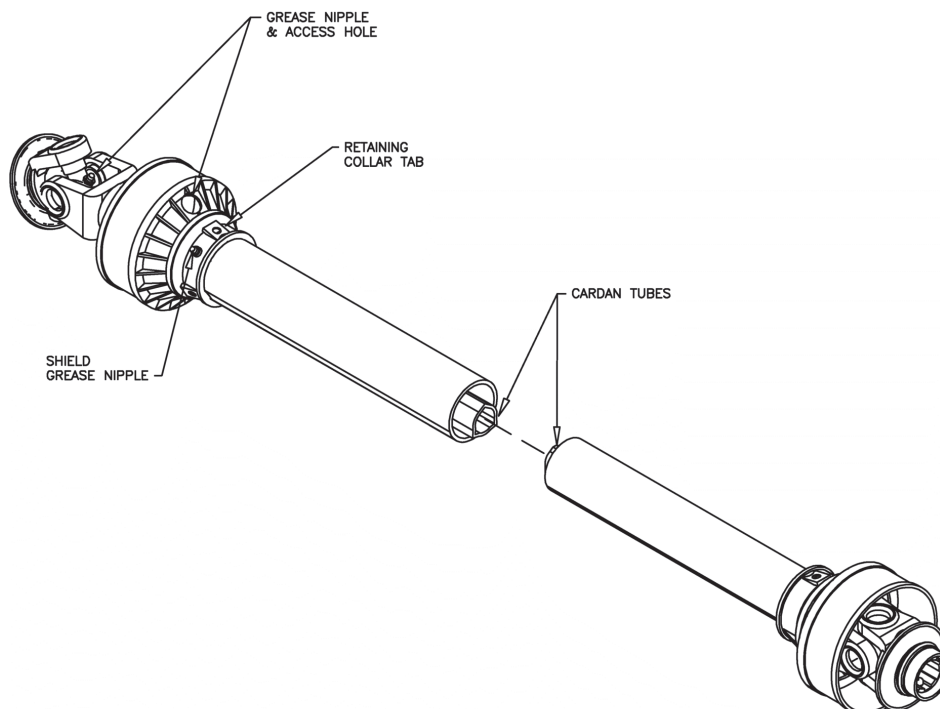
PTO Shafts

Maintenance

- The cross journals and the shield bearings at both ends of the shaft should be greased every 8 hours. Use 1 or 2 pumps of high temperature grease. The cones on the outer PTO shield must be turned until the access holes line up with the grease nipple in the cross journals. The grease nipple for the shield bearings is on the bottom edge of the cone. The PTO shaft must be pulled apart to grease the cardan tubes. Put about 4 pumps of grease into the female or larger outer tube. Slide the two halves back together. The quick release collars on the ends of the PTO shaft should also be kept lubricated. The cardan tubes and the release collars should be greased about every 20 hours. Clean all grease fittings before injecting grease and immediately replace any damaged or missing grease fittings.

Service

- The two major service areas on the mower PTO shafts are the shielding and the cross journals. The outer guards are held on by a nylon shield bearing. The three round white tabs at the bottom edge of the shield cones must all be pushed in to pull the shield off the cardan yoke and tube assembly. To replace the outer guards, first fit the nylon shield bearing into the groove machined into the yoke. Slide on the outer guard till it snaps in. The tabs on the shield bearing must line up with grooves on the inside of the outer guard.
- The cross journals must be removed using a press or a vise. Do not use a hammer. Cross journal replacement is done with the outer shield removed. Remove the snap rings at the ends of the cross journal before pressing out. The cups on the ends of the cross journal contain numerous needle bearings. If even one of these needle bearings falls over, you will not be able to assemble the cross journal. Check that the end yoke turns freely after replacing a cross journal. Adjust the spread on the end yoke if necessary to loosen up the turning.
- The quick release collars on the ends of the PTO shaft are held on by a snap ring. A pin and spring are inside the collar. Repair immediately if the collar fails to hold the PTO shaft solidly in place.



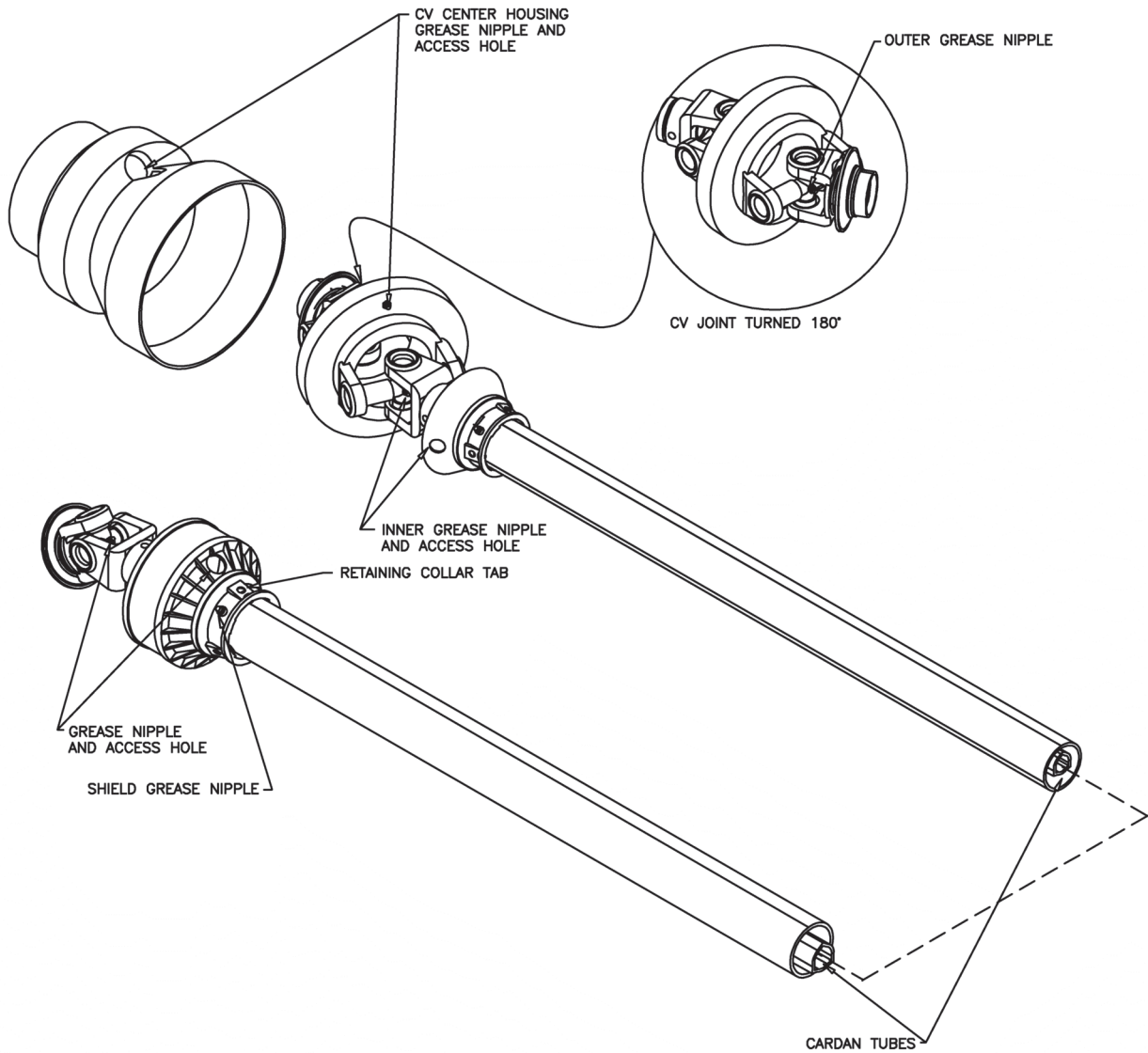
Main CV PTO Shaft

Maintenance:

- The cross journals and the shield bearings at both ends of the shaft should be greased every 8 hours. Use 1 or 2 pumps of high temperature grease. The cones on the outer PTO shield must be turned until the access holes line up with the grease nipple in the cross journals. The grease nipple on the outer cross journal on the CV end is accessible from the outside. There is a separate guard covering the center CV housing. Turn this guard until the access hole lines up with the grease nipple, and grease with 1 or 2 pumps every 8 hours. This grease nipple is particularly important. Failure to keep grease in the CV housing will result in damage to some very expensive PTO parts. The grease nipple for the shield bearings is on the bottom edge of the cone.
- The PTO shaft must be pulled apart to grease the cardan tubes. Put about 4 pumps of grease into the female or larger outer tube. Slide the two halves back together. The quick release collars on the ends of the PTO shaft should also be kept lubricated. The cardan tubes and the release collars should be greased about every 20 hours. Clean all grease fittings before injecting grease and immediately replace any damaged or missing grease fittings.

Service

- The outer guards are held on by a nylon shield bearing. The three round white tabs at the bottom edge of the shield cones must all be pushed in to pull the shield off the cardan yoke and tube assembly. To replace the outer guards, first fit the nylon shield bearing into the groove machined into the yoke. Slide on the outer guard till it snaps in. The tabs on the shield bearing must line up with grooves on the inside of the outer guard.
- The CV joint is covered by a separate guard consisting of two halves joined by six screws. Remove the six screws to pull off the CV cover.
- The cross journals must be removed using a press or a vise. Do not use a hammer. Cross journal replacement is done with the outer shields removed. Remove the snap rings at the ends of the cross journal before pressing out. The cups on the ends of the cross journal contain numerous needle bearings. If even one of these needle bearings falls over, you will not be able to assemble the cross journal. Check that the end yoke turns freely after replacing a cross journal. Adjust the spread on the end yoke if necessary to loosen up the turning.
- Cross journal replacement on the CV end of the PTO shaft is considerably more difficult than the other end. If replacing both cross journals, it is best to do the outer cross journal first. You must remove the cross journal ends from the CV center housing before removing them from the end yoke. You cannot remove the cross journal if it is not done in this order. If you are only replacing the inner cross journal on the CV end, you must still start by removing the cross journal ends from the CV center housing. The quick release collars on the ends of the PTO shaft are held on by a snap ring. A pin and spring are inside the collar. Repair immediately if the collar fails to hold the PTO shaft solidly in place.



Mower Deck Wheel Bearings

FM-51

The mower wheel bearings are packed in grease when they are shipped. They should be repacked in fresh grease once a year or every 200 hours of usage.

Triplex Wheel Bearings

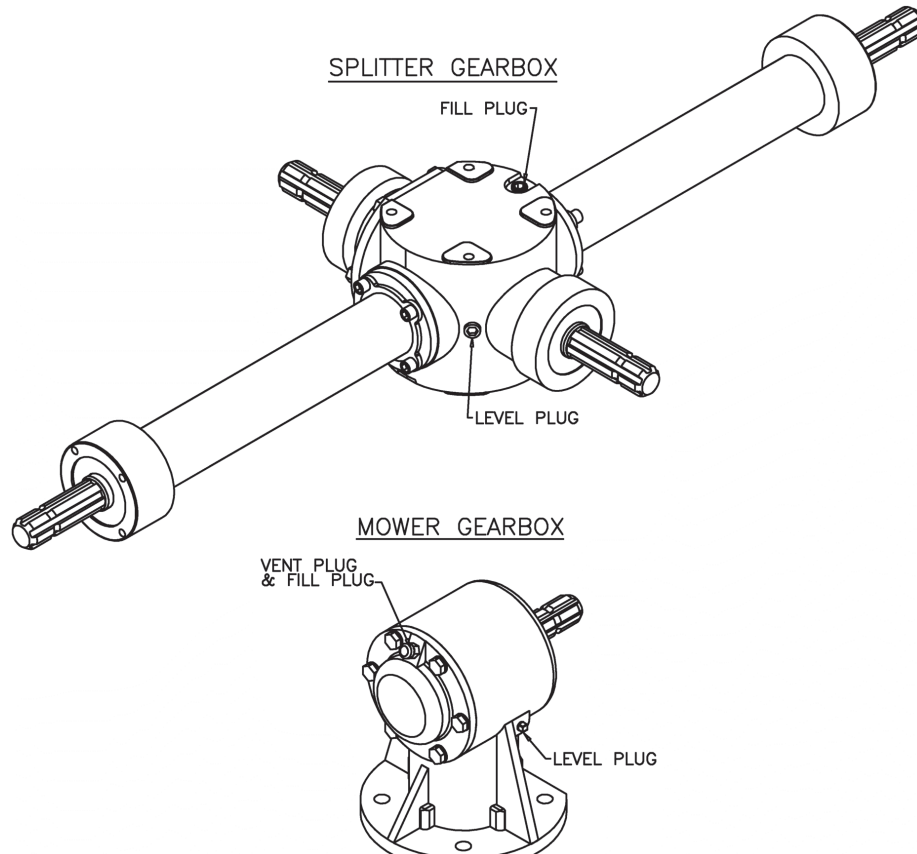
The Triplex Wheel Bearings are packed in grease when they are shipped. They should be repacked in fresh grease once a year or every 200 hours of usage.

Blade Height Adjustment

The mowers must be raised off the ground far enough to pull the wheel yoke (#5) out of the welded sleeves at the ends of the axles (#1). Be sure the tractor is turned off. Pull out the clip (#4) and remove the wheel yoke. There are 1/2" and 1" spacers to adjust the cutting height. The cutting height is 1-3/4" with no spacers under the sleeve at the end of the axles. This can be adjusted using the spacers by 1/2" increments up to 4-3/4". Check to see that the spacers are set at the same height on all the wheel yokes on all the mowers on the triplex.

Triplex Splitter Gearbox and Mower Gearbox Lubrication

The gearboxes should be filled with SAE90 oil to the bottom of the level plug when shipped. Check the splitter gearbox and all the mower gearboxes before using and at regular intervals (approximately every 40 hours). See that the oil level is maintained. On the mower gearboxes the vent plug also acts as the fill plug.

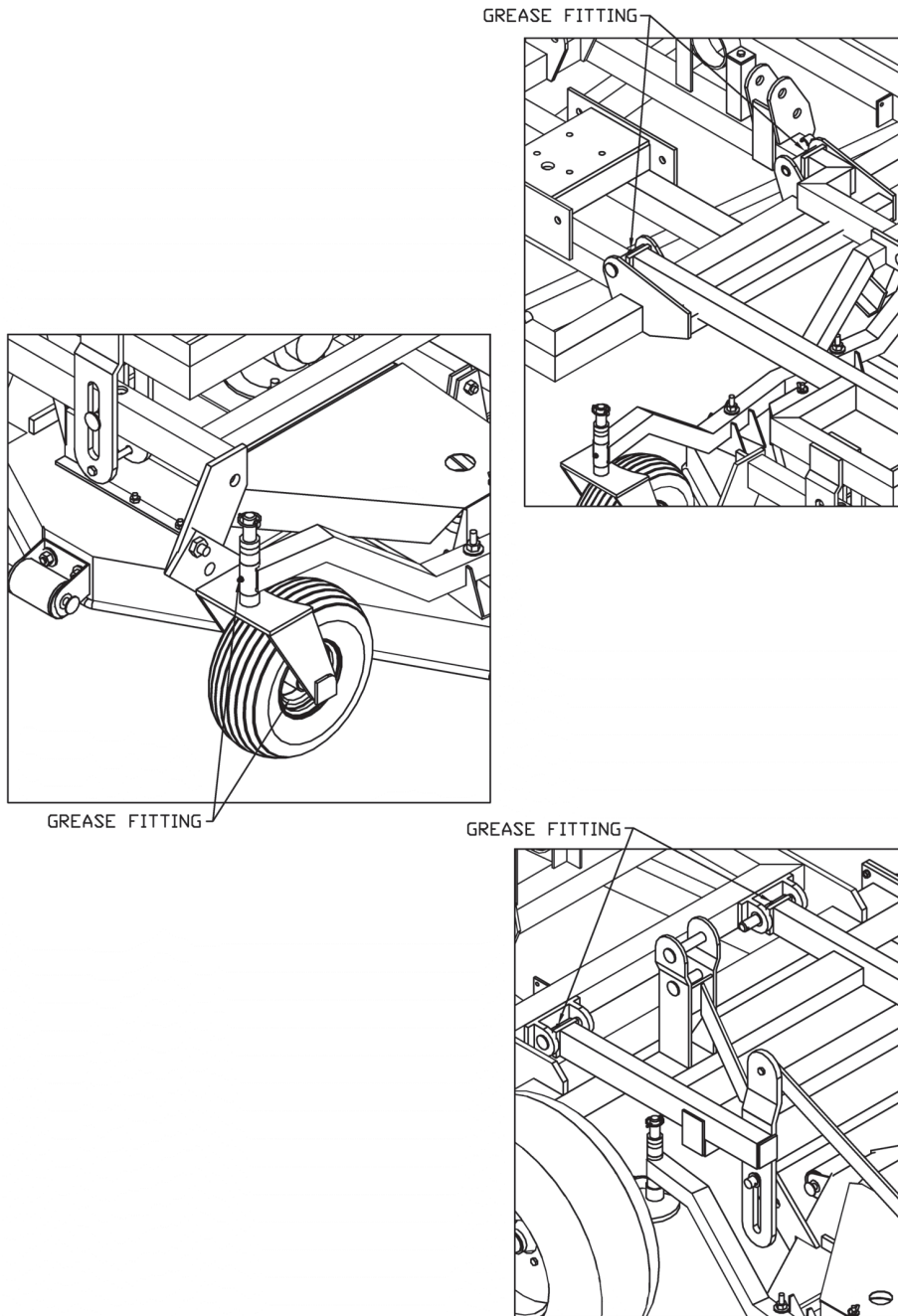


Brass Bushing Replacement and Lubrication on Wings

The deck mounts (#1) have bushings pressed into the welded sleeve in square tubes. If these bushings need replacement due to wear, the deck mount must be completely removed from the mowers and the triplex frame. These bushings must be removed and replaced on a press. There are two lengths of bushings (#6 & #7) used in each welded sleeve. The longer of the two bushings is on the outside. There is a grease nipple inside a drilled hole in the square tube positioned between the two brass bushings. Give each grease nipple 1 or 2 pumps of a high temperature grease about every 8 hours.

Triplex Frame Wing and Mower Spindle Lubrication

Use a high temperature grease for all applications. The pivot bushings on the side and rear wings of the main triplex frame have a grease nipple positioned as shown in the illustrations. Give these 1 or 2 pumps of grease about every 8 hours. The mower deck wheel spindles have a grease nipple in the sleeve welded to the ends of the axle and in the wheel hub. These locations should receive 3 or 4 pumps of grease about every 8 hours.



Spindle Replacement

Outer Spindles: Remove the belt guard on the side required (#7 & #8). Loosen the belts by first loosening the bolts holding the gearbox base plate (#2). Turn the 5/8" hex nut (#3) on the threaded rod on the base plate until there is enough slack in the belt to slip it off the spindle pulley. Remove the snap ring from the spindle shaft and pull off the pulley. Remove the blade from the spindle. The mower will have to be raised off the ground. Take off the four bolts holding on the spindle (#14). After replacing the spindle, be sure that the bolt holding the blade is tightened to 180 ft.-lbs. Use a torque wrench. Re-tighten the belts so the center of the belt span will deflect about 1/2" with nominal pressure. Do not forget to tighten the bolts on the gearbox mounting plate.

Center Spindle: The procedure is the same as for the outer spindles as described above except for the following differences. Both belt guards (#7 & #8) must be removed. After slacking off the belt as described remove the gearbox mounting plate (#6) in one piece with the gearbox and large pulley. Remove the double pulley and replace the spindle. When you replace the belts make sure they are lined up as shown in the drawing. The upper grooves in the double pulleys go around the higher of the single pulleys. The lower grooves of the double pulley line up with the lower single pulley.

Mower Deck Belt Adjustment

Start by removing both belt guards on the mower deck. Loosen the bolts holding the gearbox base plate (#7). Turn the 5/8" hex nuts (#6) on the threaded rod on the base plate until there is enough slack in the belts to slip them off the spindle pulleys. If the belts can be pulled off by sliding them under the large double pulley, no further disassembly is required. If this is difficult, you can create more space by removing the bolts holding on the gearbox mounting plate (#8) in one piece with the gearbox and large pulley. Lift up the mounting plate assembly slightly and slide the belts underneath. When you replace the belts, make sure they are lined up as shown in the drawing. The upper groove in the double pulleys goes around the higher of the single pulleys. The lower grooves of the double pulleys line up with the lower single pulley. Re-tighten the belts so the center of the belt span will deflect about 1/2" with nominal pressure. Do not forget to tighten the bolts on the gearbox mounting plate.

UHMW Bushing Replacement

A wear resistant UHMW washer is used at the wear points on the side wing deck mounts (#1) at top of page and on the rear wing (#6) at bottom of page. Completely lower the triplex mowers to the ground to take the pressure off of the pins holding the wear washers. On the deck mounts, the washers are on both sides of the square tube where the bushing goes through the tube. The slotted arms welded to the side wings fit on the outside of these washers. On the rear wing, the washer fits between the slotted arm on the rear wing and the welded bracket on the mower deck. Pull the long pin (#7) back far enough to change the wear washers.

Blade Replacement

The mower deck must be securely blocked up or locked in place before doing a blade replacement. When replacing or grinding blades, all three blades must be replaced or reground at the same time to maintain the proper balance in the cutting unit. Use heavy leather gloves to handle the blades. It is easiest to remove the centre bolt if you anchor the blade solidly. There are devices sold at hardware stores for this purpose. Be sure to tighten the centre bolt and lock washer securely when replacing blades. Use a torque wrench to re-tighten spindle bolts to 180 ft.-lbs. The bolts have a patch of thread lock material pre-applied which will hold for up to five usages. If replacing the lock washer, use an extra heavy duty as supplied with the spindle.

Service Notes

- A basic requirement for a steady top performance of the machine is proper and regular maintenance.
- Use only original Farm King parts.
- Keep the machine in a functioning and efficient condition by completing the maintenance and lubrication work as listed in the maintenance checklist. If maintenance is due, no work is to be done with the machine. Discovered defects have to be carefully remedied at once.
- **ATTENTION:** The maintenance of the machine should be done by trained personnel. Naturally, the machine has to be secured prior to beginning any maintenance work.
- **Intervals of Maintenance:** The intervals are based on average working conditions and strain. The various intervals of maintenance depend on the time elapsed or service hours complete, which ever is reached first. The intervals given here are based on the quality of material specified in this manual.

Every 8 Hours of Use

Grease PTO cross journals and shield bearings
Grease CV PTO cross journals and shield bearings
Grease CV PTO Housing
Grease brass bushings on mower deck
Grease pivot bushings for side and rear wings
Grease mower deck wheel spindles
Grease mower spindles

Every 20 Hours of Use

Grease PTO cardan tubes and release collars
Grease CV PTO cardan tubes and release collars

Every 40 Hours of Use

Check oil level of gearbox

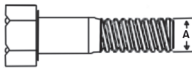
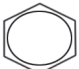


Yearly or Every 200 Hours of Use

Repack mower bearings
Repack triplex wheel bearings

Bolt Torque

Checking Bolt Torque

The tables shown below give correct torque values for various bolts and hex bolts. Tighten all bolts to the torques specified in chart unless otherwise noted. Check tightness of bolts periodically, using bolt torque chart as a guide. Replace hardware with the same strength bolt.

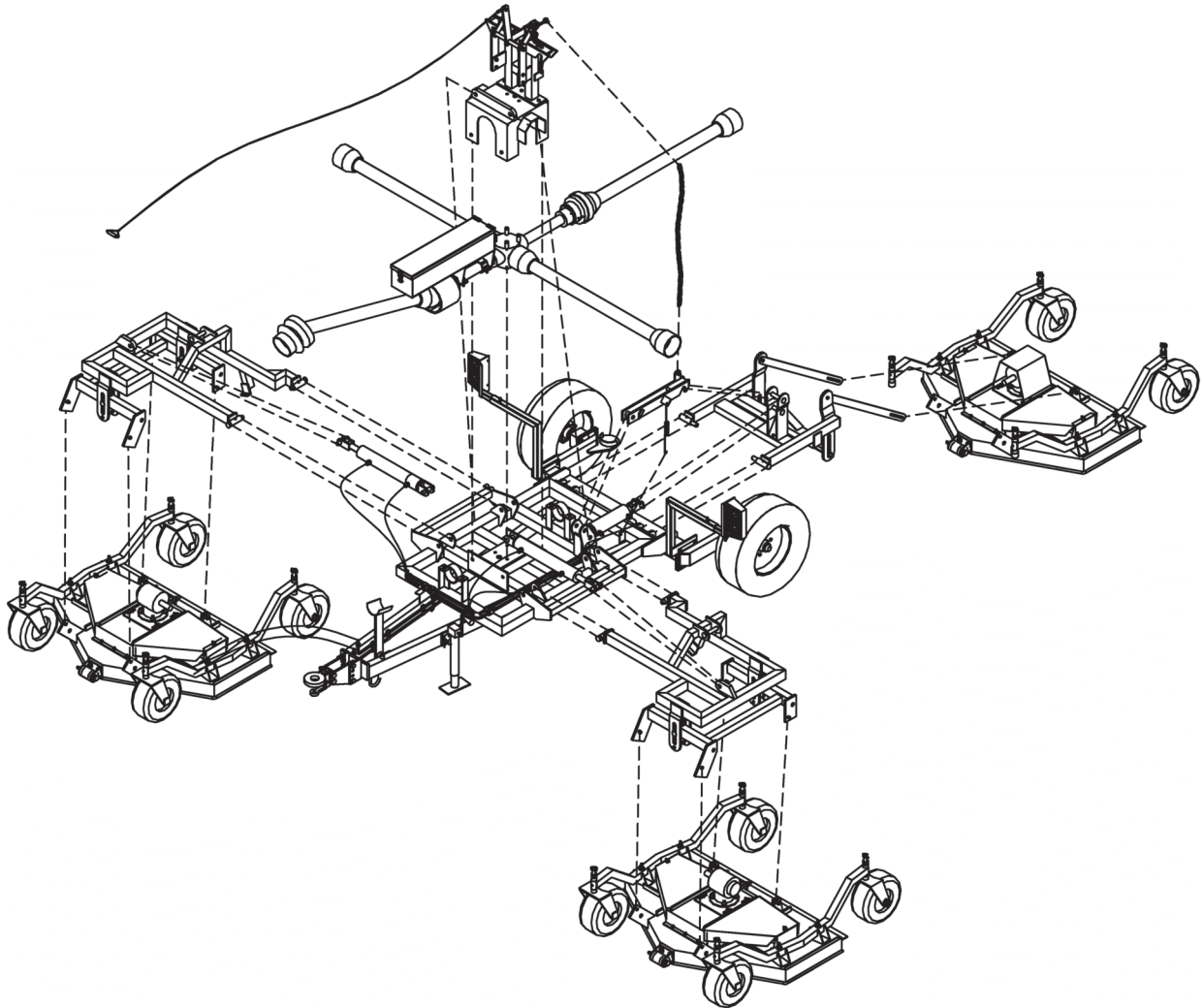
Bolt Torque*						
						
Bolt Diameter	Grade 2 Bolts		Grade 5 Bolts		Grade 8 Bolts	
(inches)	SAE 2		SAE 5		SAE 8	
"A"	(lb-ft)	(N.m)	(lb-ft)	(N.m)	(lb-ft)	(N.m)
0.25 (1/4)	6	8	9	12	12	17
0.313 (5/16)	10	13	19	25	27	36
0.375 (3/8)	20	27	33	45	45	63
0.438 (7/16)	30	42	53	72	75	100
0.5 (1/2)	45	61	80	110	115	155
0.563 (9/16)	70	95	115	155	165	220
0.625 (5/8)	95	128	160	215	220	305
.75 (3/4)	165	225	290	390	400	540
0.875 (7/8)	170	230	420	570	650	880
1	225	345	630	850	970	1320

NOTE: See page 16 for correct spindle torque. Do not use this chart for spindle bolt only.

Torque figures indicated above are valid for non-greased or non-oiled threads and heads unless otherwise specified. Therefore, do not grease or oil bolts or hex bolts unless otherwise specified in this manual. When using locking elements, increase torque values by 5%.

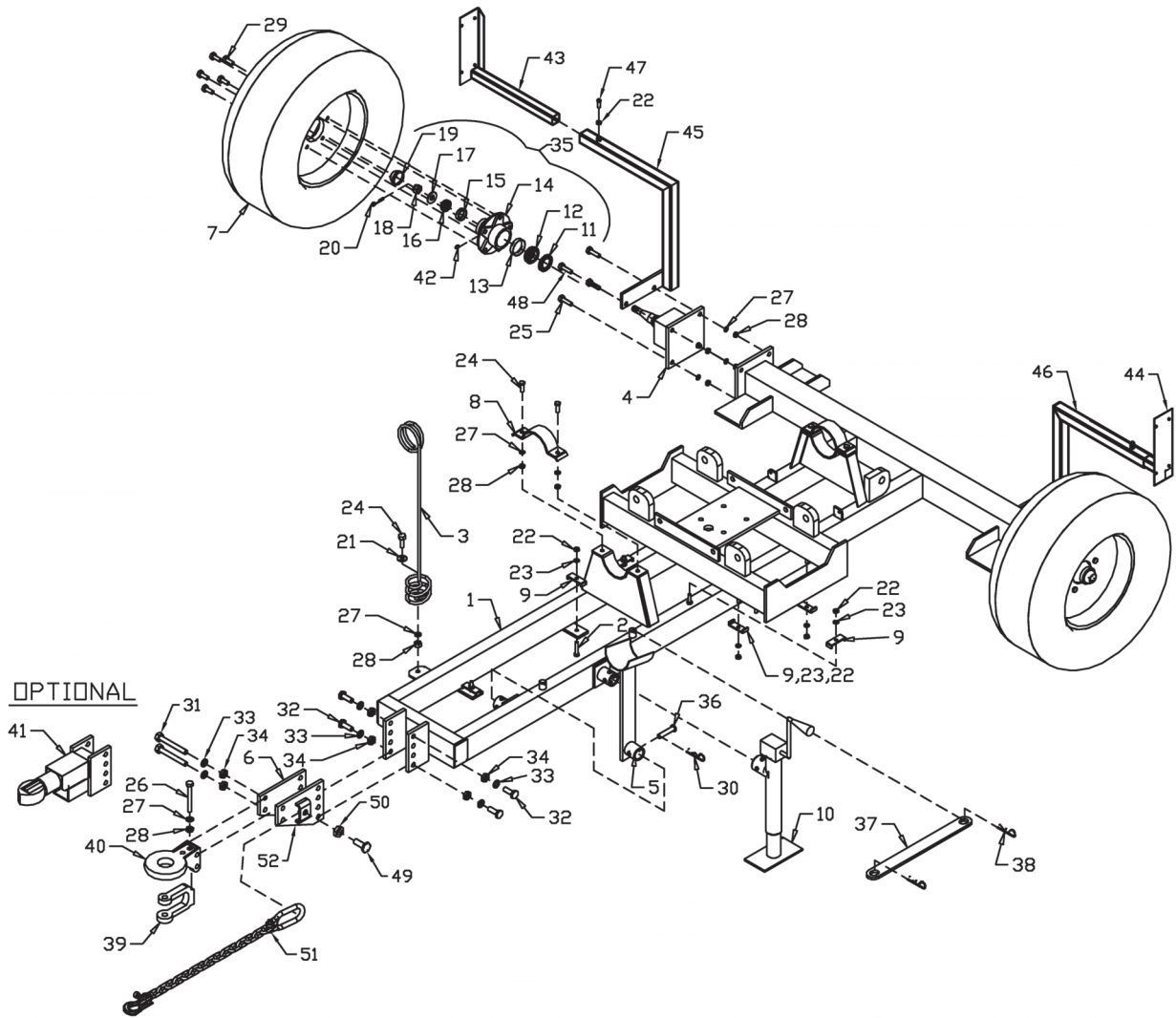
*Torque value for bolts and hex bolts are identified by their head markings.

Triplex Hitch Assembly Drawing



FM-23

4' Triplex Hitch Main Frame Assembly Drawing



FM-09

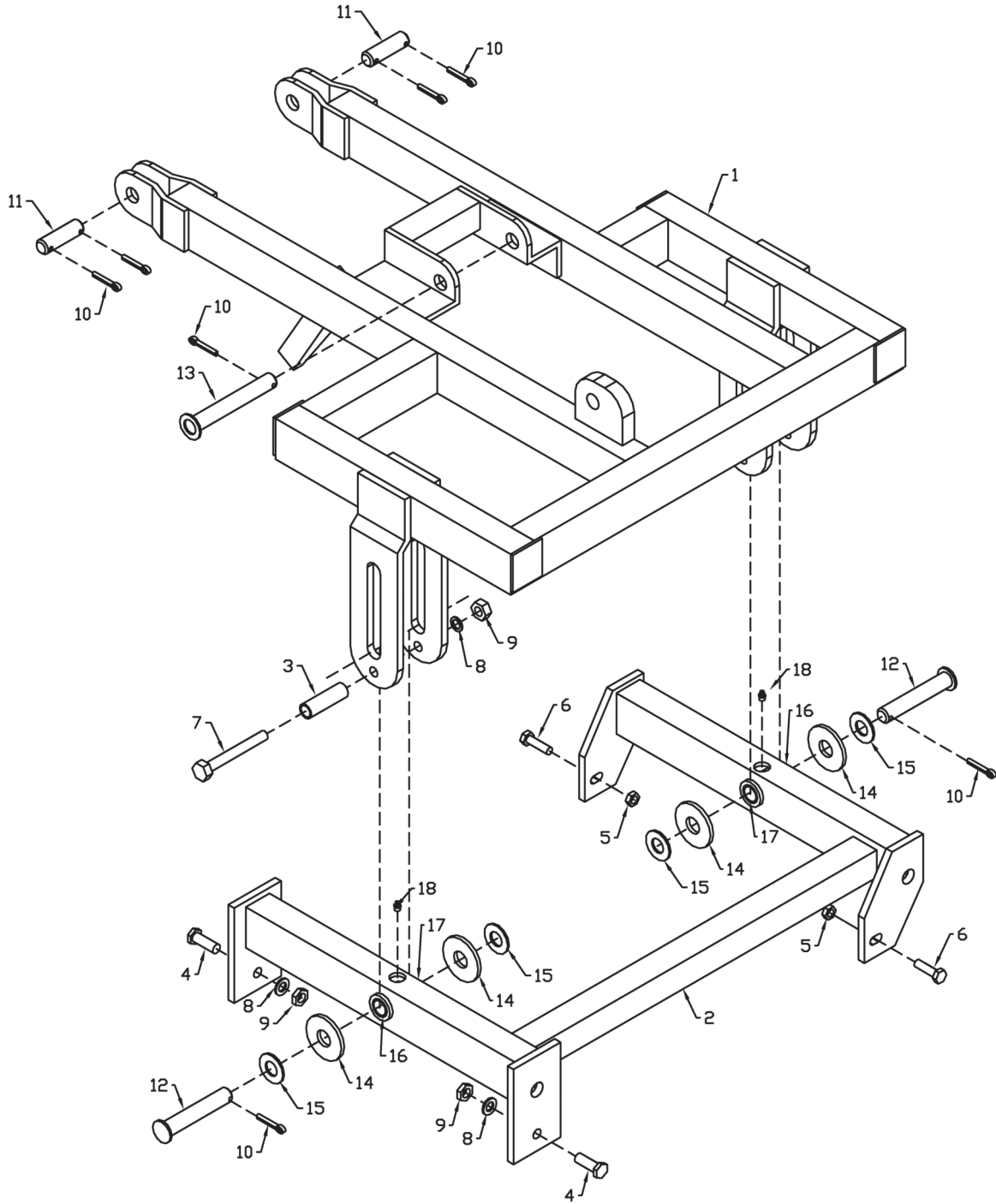
When Ordering Parts

Always give your dealer the Model, Color and Serial Number of your machine to assist him in ordering and obtaining the correct parts. Use the exploded view and tabular listing of the area of interest to exactly identify the required part.

Item	Part Number	Description
1	903597	Main Frame Weldment
2	811795	3/8" x 2" Hex Bolt (pl)
3	966313	Hydraulic Hose Holder
4	900699	Stub Axle Weldment
5	900730	PTO Holder Weldment
6	905027	Hitch Side Plate (Standard)
7	966302	Tire 27 x 10.5 x 15
	966303	Wheel 15" x 8" x 5 Bolt
8	903595	PTO Holder Clamp
9	11362	Clip Pipe Standard
10	960327	Jack Assembly
11	968430	Oil Seal (SE 14X)
12	967208	Inner Cone (LM48548)
13	968412	Inner Cup (LM48510)
14	968403	Hub with Bearing Cups (H516)
15	968405	Outer Cup (LM11910)
16	968406	Outer Cone (LM11949)
17	84050	3/4" S.A.E. Flat Washer (pl)
18	81834	3/4" Slotted Hex Nut (br)
19	968409	Dust Cap (DC12)
20	9812486	1/8" x 1-1/2" Cotter Pin
21	81638	1/2" Flat Washer (pl)
22	81592	3/8" Hex Nut (pl)
23	81593	3/8" Lock Washer (pl)
24	84277	1/2" x 1-1/2" Hex Bolt (pl)
25	87553	1/2" x 1-3/4" Hex Bolt (pl)
26	811691	1/2" x 4-1/2" Hex Bolt (pl)
27	81637	1/2" Lock Washer (pl)
28	81636	1/2" Hex Nut (pl)
29	968404	1/2" x 1-1/4" Wheel Bolt (pl)
30	961012	#16 Hair Pin Clip (pl)
31	81673	5/8" x 5" Hex Bolt (pl)
32	84270	5/8" x 1-3/4" Hex Bolt (pl)
33	81677	5/8" Lock Washer (pl)
34	81676	5/8" Hex Nut (pl)
35	968431	Hub Assembly

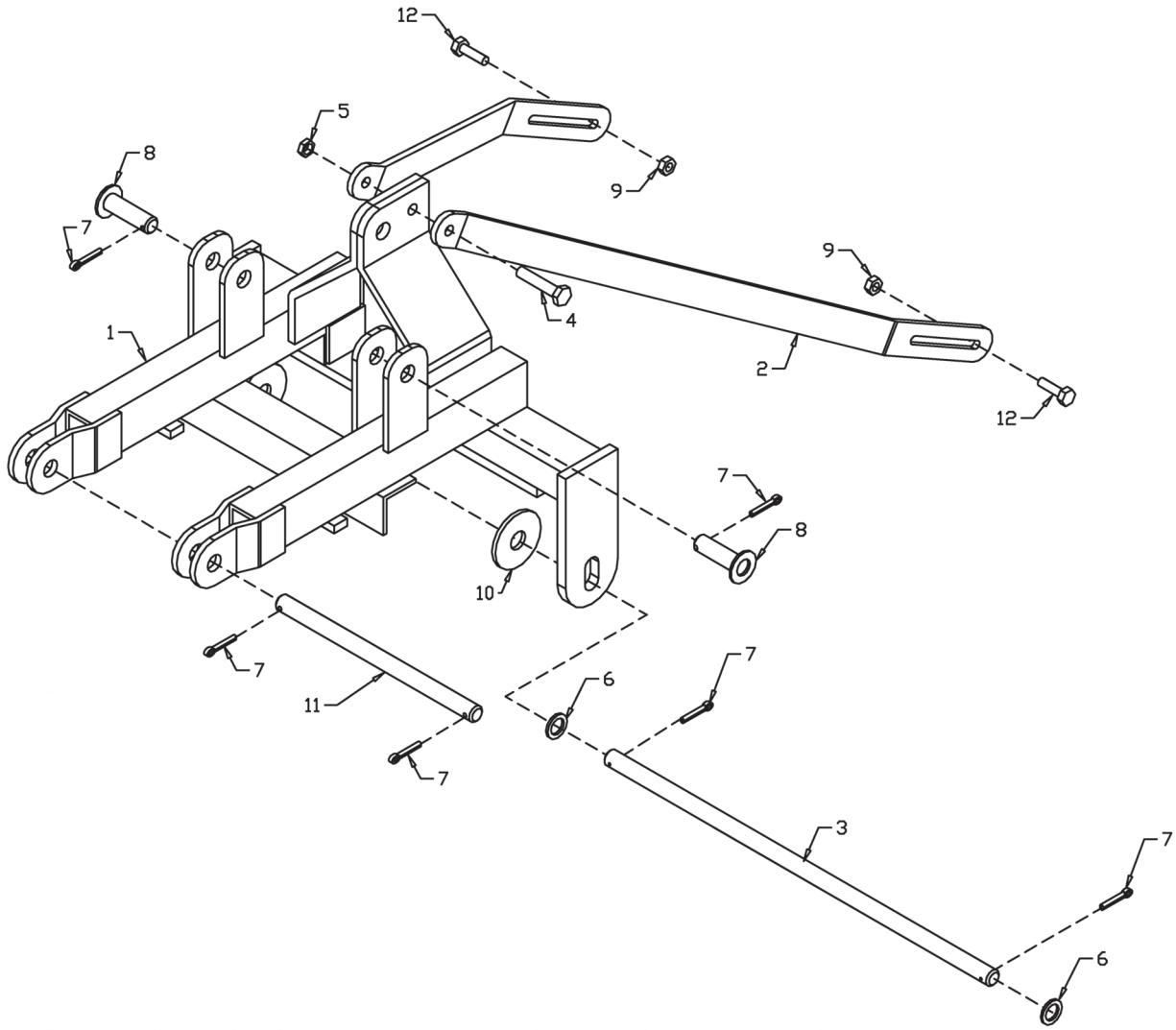
Item	Part Number	Description
36	900712	PTO Stand Pin 5/8" Dia. x 3" Long
37	905039	Wing Transport Arm 20" Long
38	12779	Hair Pin Clip #9 Western Wire
39	905041	Clevis Bolt-On
40	905040	Hitch Base
41	905036	Hitch Connector Weldment - (Optional)
42	967900	1/4" Grease Fitting
43	909693	Light Bracket Weldment - Right
44	909694	Light Bracket Weldment - Left
45	909691	Hitch Bracket Weldment - Right
46	909692	Hitch Bracket Weldment - Left
47	81213	3/8" x 1" Square Head Setscrew (pl)
48	81624	1/2" x 2-1/4" Hex Bolt (pl)
49	84467	3/4" x 2" Hex Bolt (pl)
50	812365	3/4" Lock Nut (pl)
51	F0420	1/4" Safety Chain
52	909939	Hitch Side Plate Weldment (Standard)

4' Triplex Hitch Side Wing Assembly Drawing



Item	Part Number	Description
1	903625	4' Left Hand Side Wing Weldment
	903626	4' Right Hand Side Wing Weldment
2	903630	4' Left Hand Deck Mount Weldment
	903631	4' Right Hand Deck Mount Weldment
3	900735	Deck Spacer 1" O.D. x 3-1/8" Long
4	84270	5/8" x 1-3/4" Hex Bolt (pl)
5	812364	1/2" Lock Nut (pl)
6	87553	1/2" x 1-3/4" Hex Bolt (pl)
7	81673	5/8" x 5" Hex Bolt (pl)
8	81677	5/8" Lock Washer (pl)
9	81676	5/8" Hex Nut (pl)
10	9812434	1/4" x 1-1/2" Cotter Pin (pl)
11	903692	Pin 1" x 3-1/4" Long
12	901399	Clevis Pin 1" x 5-5/8" Long
13	903691	Clevis Pin 1" x 7" Long
14	902411	Wear Washer 3" x 1/4" Thick
15	84522	1" Flat Washer S.A.E. BS (pl)
16	113577	Bushing 1" I.D. x 1-1/4" O.D. x 1-3/8" Long
17	113780	Bushing 1" I.D. x 1-1/4" O.D. x 0.88" Long
18	967164	Pound-In Grease Nipple

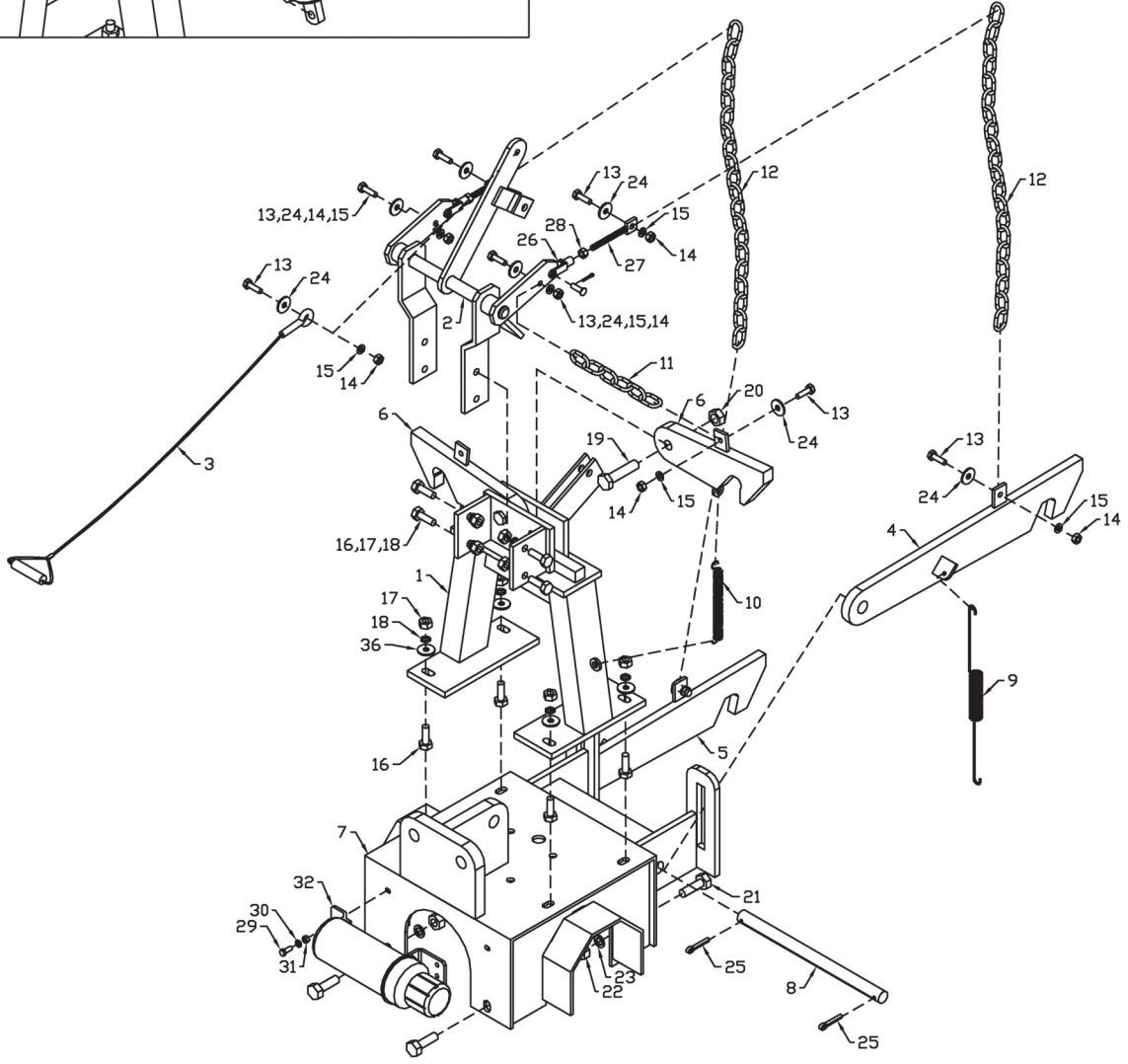
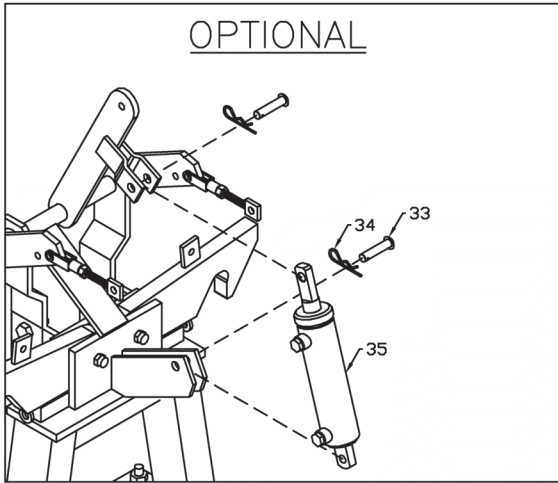
4' Triplex Hitch Rear Wing Assembly Drawing



FM-15

Item	Part Number	Description
1	903614	Rear Wing Weldment
2	903658	4' Pivot Bar 38" Long
3	900703	Rear Wing Bar 1" x 29-3/8"
4	84289	5/8" x 3" Hex Bolt (pl)
5	812482	5/8" Lock Nut (pl)
6	84522	1" S.A.E. Flat Washer (pl)
7	9812434	1/4" x 1-1/2" Cotter Pin (pl)
8	903837	Pin Weldment 1" x 3-1/4"
9	812364	1/2" Lock Nut (pl)
10	902411	Wear Washer 3" x 1/4" Thick
11	903689	Rear Wing Rod 1" x 15-3/4"
12	87553	1/2" x 1-3/4" Hex Bolt (pl)

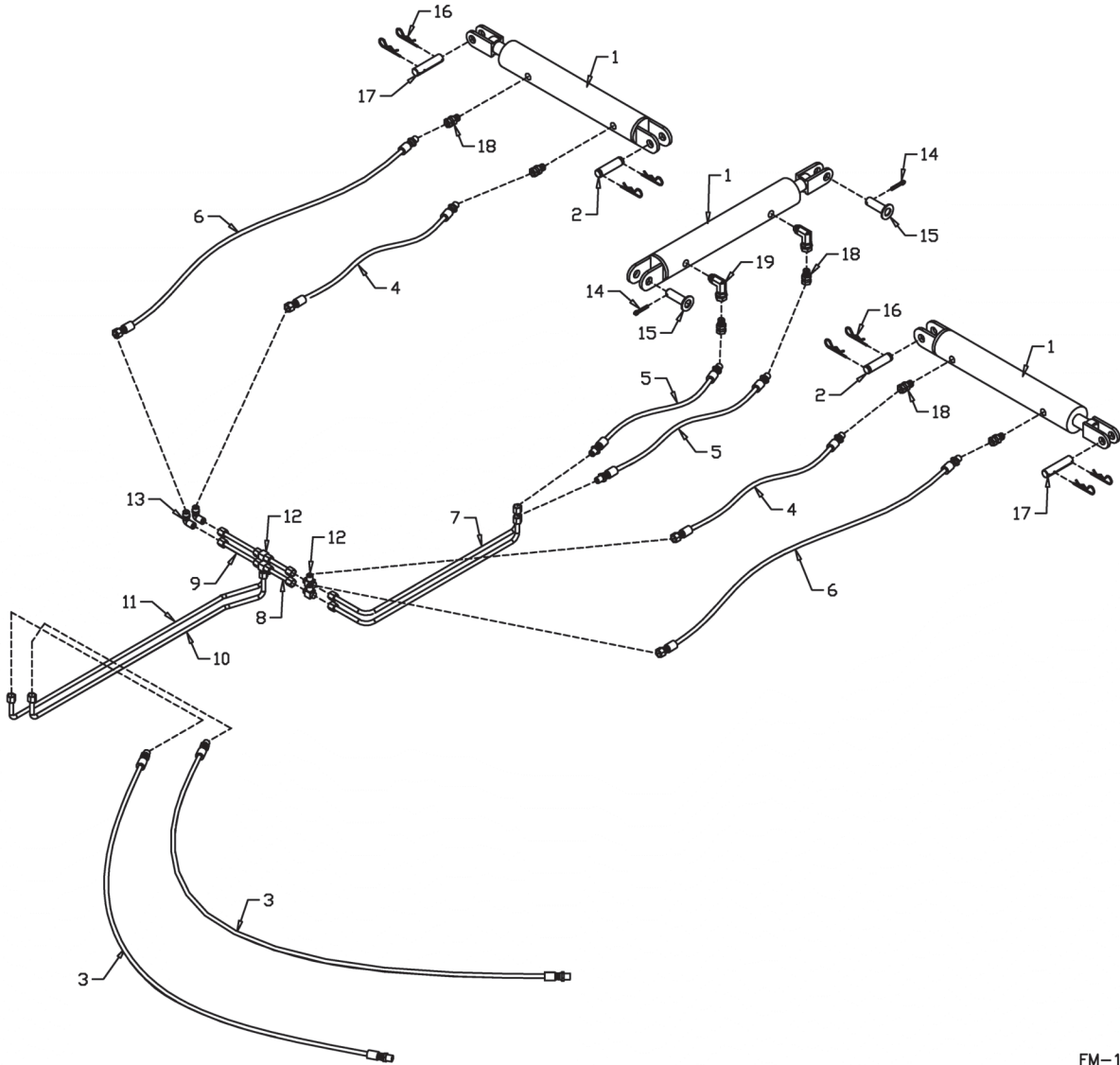
4' Triplex Hitch Latch Assembly Drawing



FM-11

Item	Part Number	Description
1	903640	Latch Stand Weldment
2	903646	Latch Weldment
3	966311	1/8" x 12' Latch Cable Assembly
4	903648	Rear Latch Weldment Right
5	903657	Rear Latch Weldment Left
6	903649	Side Latch Weldment
7	903604	Gearbox Cover Weldment
8	903688	Rear Hook Pin 1" x 15" Long
9	973618	Rear Latch Spring
10	960750	Side Latch Spring
11	966591	1/4" x 6 Link Chain
12	905339	1/4" x 20 Link Chain
13	86171	3/8" x 1-1/4" Hex Bolt (pl)
14	81592	3/8" Hex Nut (pl)
15	81593	3/8" Lock Washer (pl)
16	84277	1/2" x 1-1/2" Hex Bolt (pl)
17	81636	1/2" Hex Nut (pl)
18	81637	1/2" Lock Washer (pl)
19	88742	3/4" x 3" Hex Bolt (pl)
20	812365	3/4" Lock Nut (pl)
21	84270	5/8" x 1-3/4" Hex Bolt (pl)
22	81676	5/8" Hex Nut (pl)
23	81677	5/8" Lock Washer (pl)
24	84000	3/8" Flat Washer (pl)
25	9812434	1/4" x 1-1/2" Cotter Pin (pl)
26	905043	Clevis Yoke with Clevis Pin (H.Paulin AY28)
27	903590	Chain Tightener Rod Weldment
28	8175	3/8" Hex Nut NF (pl)
29	812026	5/16" x 1" Hex Bolt (pl)
30	81569	5/16" Lock Washer (pl)
31	81568	5/16" Hex Nut (pl)
32	909277	Manual Holder
33	961013	1/2" x 2-1/8" Clevis Pin (pl)
34	12779	Hair Pin Clip #9
35	24930	1-3/4" x 5" Cylinder
36	84048	1/2" BS Flat Washer (pl)

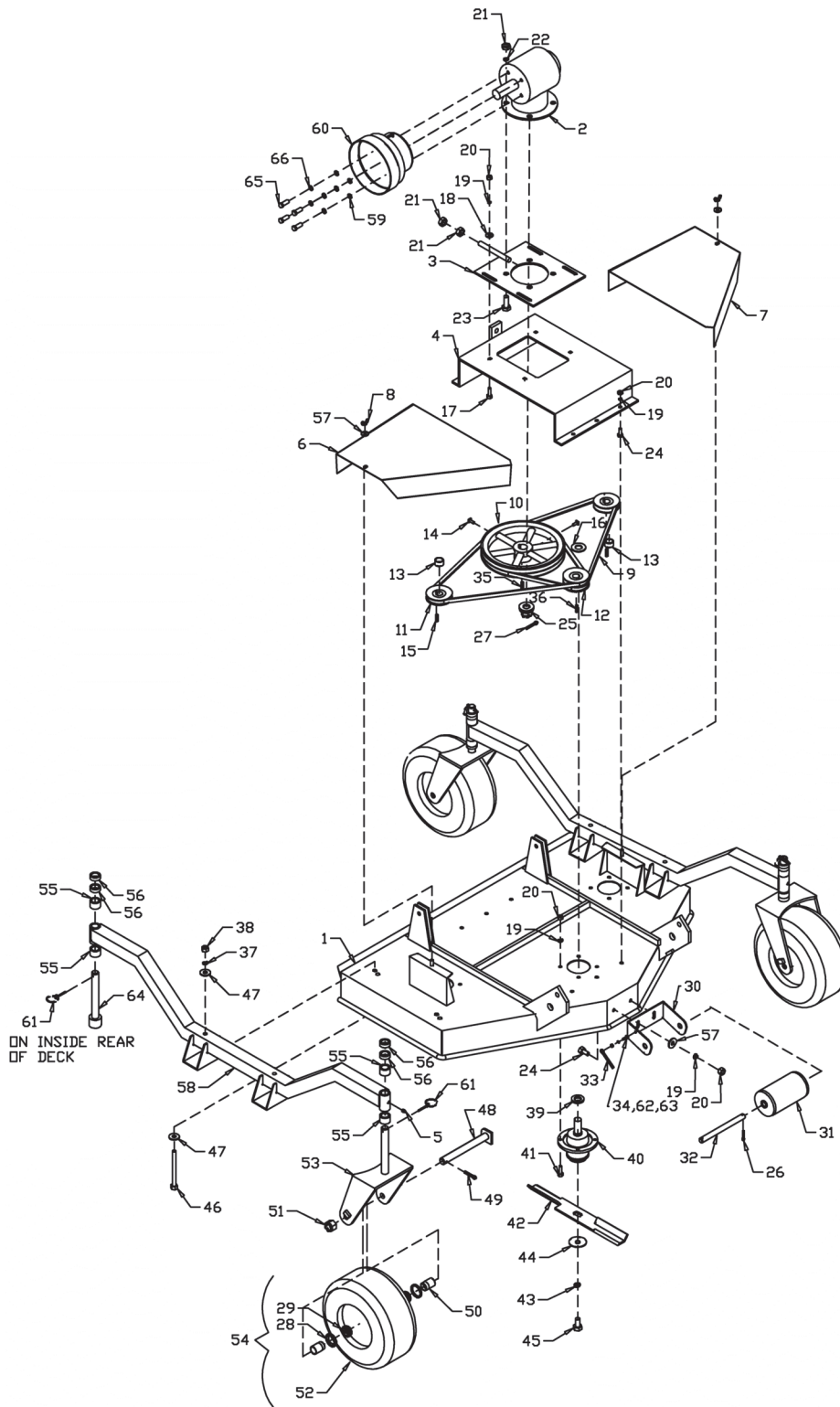
4' Triplex Hitch Hydraulic Assembly Drawing



FM-19

Item	Part Number	Description
1	24932	Cylinder 3" Dia x 18" \ Orb Port
2	103753	Cylinder Clevis Pin 1" Dia. x 4"
3	812861	1/2" x 84" Hose 1/2 MNPT x 3/4 MJIC
4	115670	1/2" x 30" Hose 1/2 SWMNPT x 3/4 SWFJIC
5	115669	1/2" x 30" Hose 1/2 SWMNPT x 3/4 MJIC
6	115671	1/2" x 48" Hose 1/2 SWMNPT x 3/4 SWFJIC
7	903966	Hydraulic Line - Triplex Side
8	903965	Left Hydraulic Line - 4-1/2" Long
9	903079	Right Hydraulic Line - 7" Long
10	903963	Hitch Hydraulic Line - 41"
11	903964	Hitch Hydraulic Line - 44-1/2"
12	812069	Tee 3/4 MJIC
13	812128	Elbow 90 3/4 MJIC x 3/4 MJIC
14	9812434	1/4" x 1-1/2" Cotter Pin (pl)
15	903837	Pin Weldment 1" x 3-1/4"
16	12779	Hair Pin Clip #9 Western Wire
17	905038	Pin 1" x 4-3/8" (3 Holes)
18	966321	Adaptor S01120-8DX.052 (Restrictor Valve)
19	905392	Elbow 90-3/4" MORB x 3/4" FORB

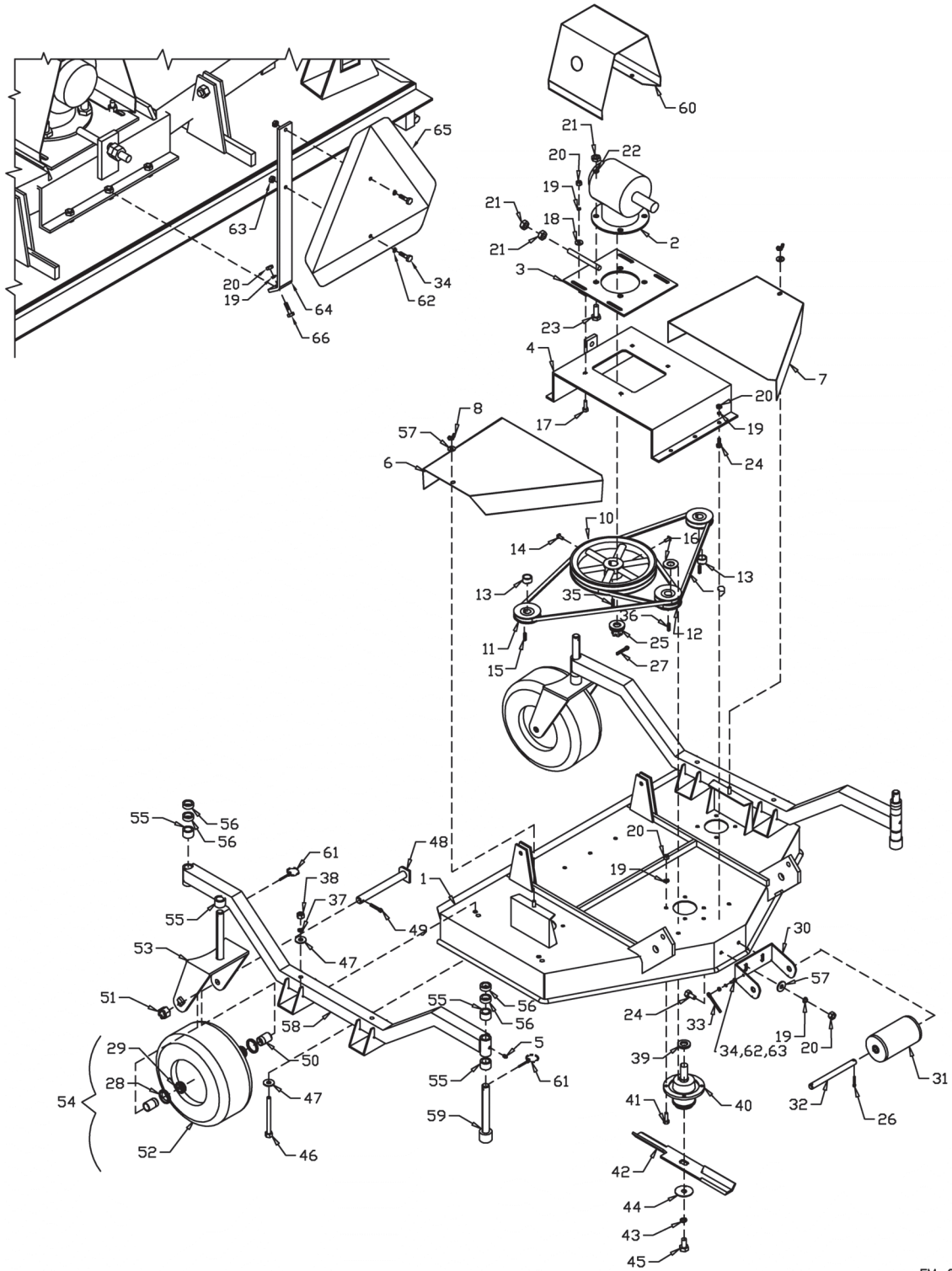
4' Triplex Hitch Side Mower Deck Assembly Drawing



Item	Part Number	Description
1	903815	4' Rear Discharge Deck
2	912300158	Gearbox Assembly
3	980004200	Gearbox Base Plate
4	906342	Gearbox Mount Plate
5	967164	Pound-in Grease Nipple
6	906346	4' R.H. Pulley Guard
7	906347	4' L.H. Pulley Guard
8	84217	3/8" Wing Nut (pl)
9	904250	B-61 Belts
10	966722	12" Double Sheave c/w Set Screws
11	904243	3-3/4" Single Sheave Assy (Machined End Up)
12	904244	3-3/4" Double Sheave c/w Set Screws
13	966811	Sheave Spacer 1-1/4" O.D. x .70"
14	9812377	5/16" x 3/4" Sq. Hd. Set Screw (pl)
15	900931	1/4" Square x 1.11" Key
16	967140	Narrow Rim Washer 1" x 10ga (pl)
17	86182	3/8" x 1-1/4" Carriage Bolt (pl)
18	964001	7/16" I.D. x 10ga Washer (pl)
19	81593	3/8" Lock Washer (pl)
20	81592	3/8" Hex Nut (pl)
21	81676	5/8" Hex Nut (pl)
22	81677	5/8" Lock Washer (pl)
23	84270	5/8" x 1-3/4" Hex Bolt (pl)
24	86170	3/8" x 1" Hex Bolt (pl)
25	905247	Washer & Slotted Hex Nut Weldment Included w/ Gearbox
26	9812434	1/4" x 1-1/2" Cotter Pin (pl)
27	81207	3/16" x 2" Cotter Pin
28	967497	Oil Seal SE10
29	966776	Bearing Cone (L44643) w/o Grease
30	903488	Roller Holder
31	903113	Roller Tube Assembly
32	903104	Roller Pin 3/4" Dia x 8-3/4" Lg
33	9812436	1/4" x 2-1/2" Cotter Pin (pl)
34	81525	1/4" x 3/4" Hex Bolt (pl)
35	900929	Pulley Key (1/4" Sq. x 1-5/8" Long)
36	900930	1/4" x 1-1/2" Key
37	81637	1/2" Lock Washer (pl)

Item	Part Number	Description
38	81636	1/2" Hex Nut (pl)
39	912301558	1" Snap Ring
40	966860	Spindle with Hardware
41	86171	3/8" x 1-1/4" Hex Bolt (pl)
42	903798	17-3/4" Blade - Hard Surfaced
43	966190	5/8" Lock Washer (pl) Extra Heavy (Supplied w/ Spindle)
44	966188	2-1/2" O.D. x 21/32" ID Wash (Supplied w/ Spindle)
45	966189	5/8" x 1-1/4" Gr.8 Hex Bolt Lck (Supplied w/ Spindle)
46	811646	1/2" x 6" Hex Bolt (pl)
47	812769	1-1/2" O.D. x 9/16" I.D. x 10ga Washer (pl)
48	902489	1"Ø x 9-1/4" Wheel Yoke Pin
49	9812433	3/16" x 1-1/2" Cotter Pin (pl)
50	902505	1-3/4" x 1-1/4" O.D. Wheel Spacer (pl)
51	967498	1" Slotted Hex Nut NF 14 (pl)
52	966195	Tire & Rim (15 x 6 -6)
53	902422	Wheel Yoke
54	F6651	Tire, Rim, Yoke Assembly
55	902503	1" Long x 1-5/8" O.D. Bushing (pl)
56	902504	1/2" Long x 1-5/8" O.D. Bushing (pl)
57	84000	3/8" B.S. Flat Washer (pl)
58	903834	59" Axle Beam Weldment
59	81570	5/16" B.S. Flat Washer (pl)
60	900750	Side PTO Guard
61	966729	3/16" Linch Pin (pl)
62	81545	1/4" Lock Washer (pl)
63	81544	1/4" Hex Nut (pl)
64	902421	Yoke Shaft 1-1/4" x 9-1/4" Long
65	BU500397-6	5/16" x 5/8" Hex Bolt (pl)
66	81569	5/16" Lock Washer (pl)

4' Triplex Hitch Center Mower Deck Assembly Drawing



FM-07

Item	Part Number	Description
1	903815	4' Rear Discharge Deck
2	912300158	Gearbox Assembly
3	980004200	Gearbox Base Plate
4	906342	Gearbox Mount Plate
5	967164	Pound-in Grease Nipple (pl)
6	906346	4' R.H. Pulley Guard
7	906347	4' L.H. Pulley Guard
8	84217	3/8" Wing Nut (pl)
9	904250	B-61 Belts
10	966722	12" Double Sheave complete w/ Set Screws
11	904243	3-3/4" Single Sheave Assy (Machined End Up)
12	904244	3-3/4" Double Sheave complete w/ Set Screws
13	966811	Sheave Spacer 1-1/4" O.D. x .70"
14	9812377	5/16" x 3/4" Square Head Set Screw (pl)
15	900931	1/4" Square. x 1.11" Key
16	967140	Narrow Rim Washer 1" x 10ga (pl)
17	86182	3/8" x 1-1/4" Carriage Bolt (pl)
18	964001	7/16" I.D. x 10ga Washer (pl)
19	81593	3/8" Lock Washer (pl)
20	81592	3/8" Hex Nut (pl)
21	81676	5/8" Hex Nut (pl)
22	81677	5/8" Lock Washer (pl)
23	84270	5/8" x 1-3/4" Hex Bolt (pl)
24	86170	3/8" x 1" Hex Bolt (pl)
25	905247	Washer & Slotted Hex Nut Weldment Included w/ Gearbox
26	9812434	1/4" x 1-1/2" Cotter Pin (pl)
27	81207	3/16" x 2" Cotter Pin
28	967497	Oil Seal SE10
29	966776	Bearing Cone (L44643) w/o Grease
30	903488	Roller Holder
31	903113	Roller Tube Assembly
32	903104	Roller Pin 3/4" Dia x 8-3/4" Long
33	9812436	1/4" x 2-1/2" Cotter Pin (pl)
34	81525	1/4" x 3/4" Hex Bolt (pl)
35	900929	Pulley Key (1/4" Square. x 1-5/8" Long)
36	900930	1/4" x 1-1/2" Key
37	81637	1/2" Lock Washer (pl)
38	81636	1/2" Hex Nut (pl)
39	912301558	1" Snap Ring
40	966860	Spindle with Hardware
41	86171	3/8" x 1-1/4" Hex Bolt (pl)

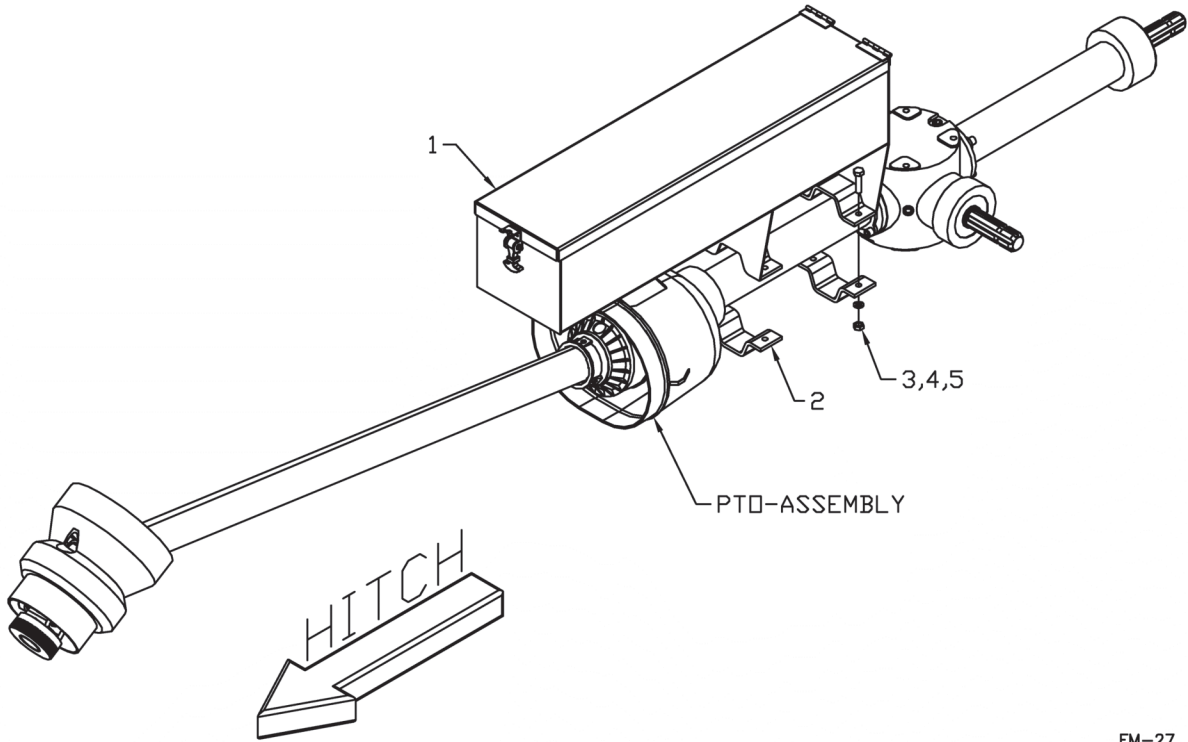
Item	Part Number	Description
42	903798	17-3/4" Blade - Hard Surfaced
43	966190	5/8" Lock Washer (pl) Extra Heavy (Supplied w/ Spindle)
44	966188	2-1/2" O.D. x 21/32" I.D. Washer (Supplied w/ Spindle)
45	966189	5/8" x 1-1/4" Gr.8 Hex Bolt Lock (Supplied w/ Spindle)
46	811646	1/2" x 6" Hex Bolt (pl)
47	812769	1-1/2" O.D. x 9/16" I.D. x 10ga Washer (pl)
48	902489	1"Ø x 9-1/4" Wheel Yoke Pin
49	9812433	3/16" x 1-1/2" Cotter Pin (pl)
50	902505	1-3/4" x 1-1/4" O.D. Wheel Spacer (pl)
51	967498	1" Slotted Hex Nut NF 14 (pl)
52	966195	Tire & Rim (15 x 6 -6)
53	902422	Wheel Yoke
54	F6651	Tire, Rim, Yoke Assembly
55	902503	1" Long x 1-5/8" O.D. Bushing (pl)
56	902504	1/2" Long x 1-5/8" O.D. Bushing (pl)
57	84000	3/8" B.S. Flat Washer (pl)
58	903834	59" Axle Beam Weldment
59	902421	Yoke Shaft 1-1/4"Ø x 9-1/4" Long
60	966748	PTO Guard
61	966729	3/16" Linch Pin (pl)
62	81545	1/4" Lock Washer (pl)
63	81544	1/4" Hex Nut (pl)
64	909902	SMV Sign Bracket
65	967066	SMV Sign
66	811792	3/8" x 1-1/2" Hex Bolt (pl)

Item	Part Number	Description
1	903605	Gearbox Spacer 1" O.D. x 1-9/16" Long
2	966300	Gearbox Assembly - BONDI 2050 - w/o
3	F0692	CV PTO Shaft - BONDIOLI
4	F0405	4' Finishing Mower PTO
6	900748	Rear PTO Guard
7	900749	Front PTO Guard
8	84072	3/8" x 3/4" Hex Bolt (pl)
9	81593	3/8" Lock Washer (pl)
10	84000	3/8" Flat Washer Standard (pl)
11	84277	1/2" x 1-1/2" Hex Bolt (pl)
12	811796	1/2" x 2-1/2" Hex Bolt (pl)
13	81637	1/2" Lock Washer (pl)

Item	Part Number	Description
1	905105	Main Frame Weldment
2	901352	Axle Extension (20") - 5'
	901355	Axle Extension (23-1/2") - 6'
3	966313	Hydraulic Hose Holder
4	900699	Stub Axle Weldment
5	900730	PTO Holder Weldment
6	905027	Hitch Side Plate (Standard)
7	966302	Tire 27 x 10.5 x 15
	966303	Wheel 15" x 8" x 5 Bolt
8	901480	Gearbox Clamp
9	11362	Clip Pipe Standard
10	960327	Jack Assembly
11	968430	Oil Seal (SE 14X)
12	967208	Inner Cone (LM48548)
13	968412	Inner Cup (LM48510)
14	968403	Hub with Bearing Cups (H516)
15	968405	Outer Cup (LM11910)
16	968406	Outer Cone (LM11949)
17	84050	3/4" S.A.E. Flat Washer (pl)
18	81834	3/4" Slotted Hex Nut (br)
19	968409	Dust Cap (DC12)
20	9812486	1/8" x 1-1/2" Cotter Pin
21	81638	1/2" Flat Washer (pl)
22	81592	3/8" Hex Nut (pl)
23	81593	3/8" Lock Washer (pl)
24	81620	1/2" x 1-1/4" Hex Bolt (pl)
25	87553	1/2" x 1-3/4" Hex Bolt (pl)
26	81636	1/2" Hex Nut (pl)
27	81637	1/2" Lock Washer (pl)
28	84270	5/8" x 1-3/4" Hex Bolt (pl)
29	81677	5/8" Lock Washer (pl)
30	81676	5/8" Hex Nut (pl)
31	81673	5/8" x 5" Hex Bolt (pl)
32	900712	PTO Stand Pin 5/8" Dia. x 3" Long
33	905030	Pigtail Bracket 1/2" x 2" x 11-3/8"
34	905031	Pigtail Bracket 1/2" x 2" x 5-1/2"
35	84277	1/2" x 1-1/2" Hex Bolt (pl)
36	811646	1/2" x 6" Hex Bolt (pl)
37	968431	Hub Assembly
38	968404	1/2" x 1-1/4" Wheel Bolt (pl)
39	961012	#16 Hair Pin Clip (pl)

Item	Part Number	Description
40	905040	Hitch Base
41	905041	Clevis Bolt-On
42	811691	1/2" x 4-1/2" Hex Bolt (pl)
43	905034	Wing Transport Arm 30-5/8" (5' & 6')
	905155	Wing Transport Arm 31-5/8" (7')
44	12779	Hair Pin Clip #9 Western Wire
45	905036	Hitch Connector Weldment - (Optional)
46	967900	1/4" Grease Fitting
47	909693	Light Bracket Weldment - Right
48	909694	Light Bracket Weldment - Left
49	909691	Hitch Bracket Weldment - Right
50	909692	Hitch Bracket Weldment - Left
51	81213	3/8" x 1" Square Head Setscrew (pl)
52	81624	1/2" x 2-1/4" Hex Bolt (pl)
53	84467	3/4" x 2" Hex Bolt (pl)
54	812365	3/4" Lock Nut (pl)
55	909939	Hitch Side Plate Weldment (Standard)
56	F0420	1/4" Safety Chain

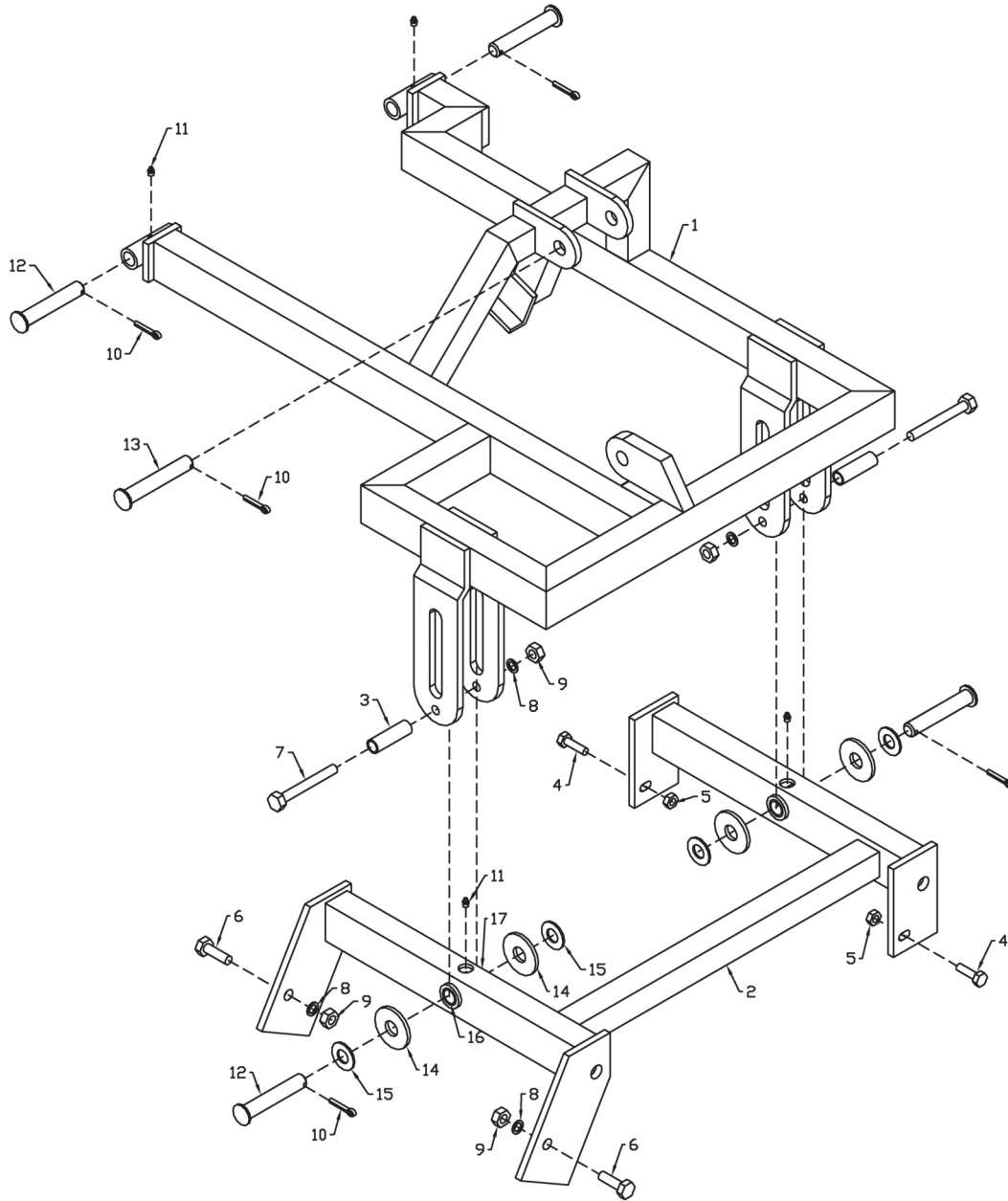
Triplex Mower Tool Box Assembly Drawing



FM-27

Item	Part Number	Description	Qty
1	909871	Toolbox Assembly	1
2	909695	Bottom Pipe Bracket	2
3	811792	3/8" x 1 1/2" Hex Bolt (pl)	4
4	81592	3/8" Hex Nut (pl)	4
5	81593	3/8" Lock Washer (pl)	4

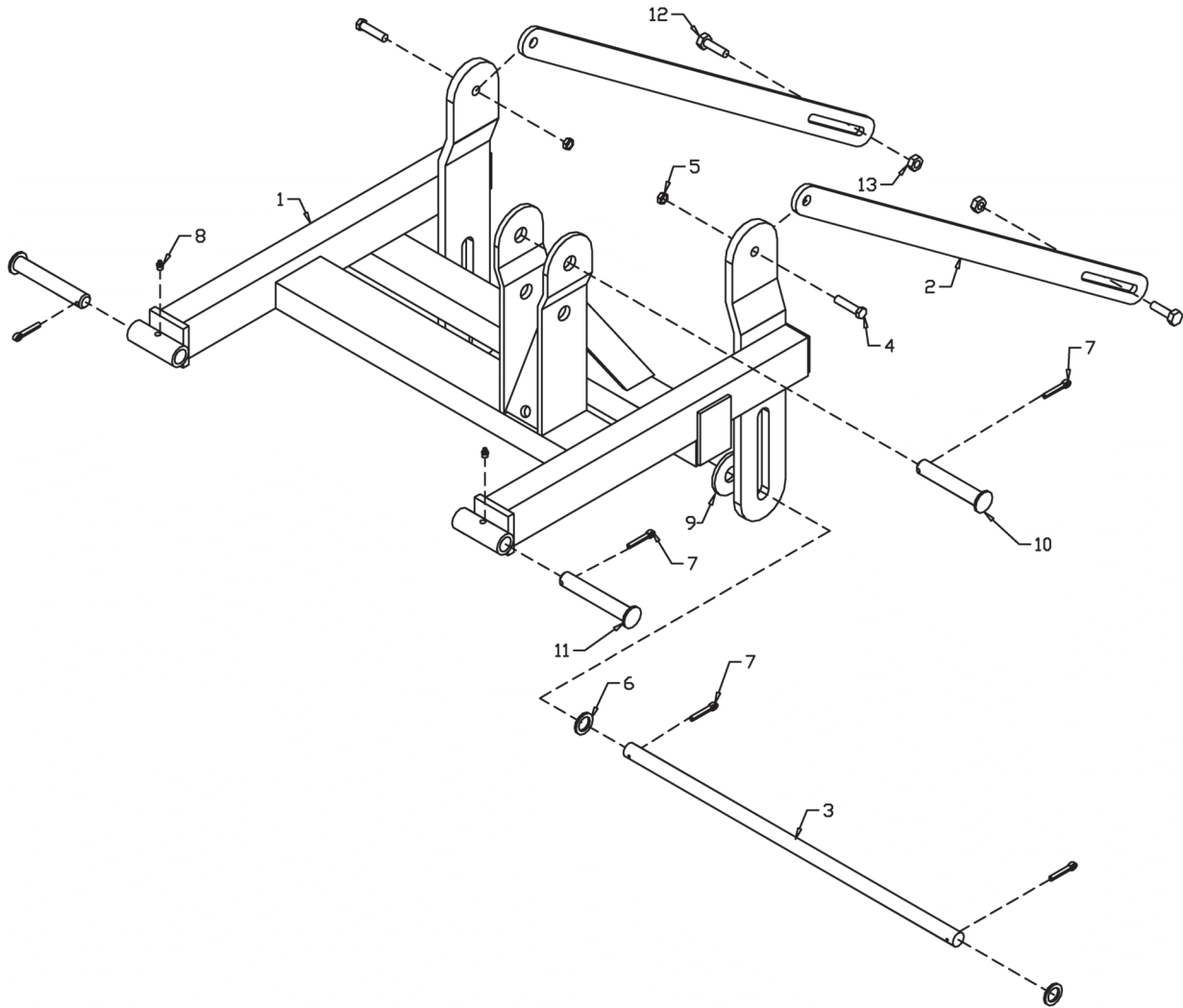
5', 6' & 7' Triplex Hitch Side Wing Assembly Drawing



FM-14

Item	Part Number	Description
1	901220	5' Left Hand Side Wing Weldment
	901221	5' Right Hand Side Wing Weldment
	900348	6' Left Hand Side Wing Weldment
	901403	6' Right Hand Side Wing Weldment
	901222	7' Left Hand Side Wing Weldment
	900201	7' Right Hand Side Wing Weldment
2	900650	5' Left Hand Deck Mount Weldment
	900651	5' Right Hand Deck Mount Weldment
	900652	6' Left Hand Deck Mount Weldment
	900653	6' Right Hand Deck Mount Weldment
	901207	7' Left Hand Deck Mount Weldment
	901208	7' Right Hand Deck Mount Weldment
3	900735	Deck Spacer 1" O.D. x 3-1/8" Long
4	87553	1/2" x 1-3/4" Hex Bolt (pl)
5	812364	1/2" Lock Nut (pl)
6	84299	5/8" x 2" Hex Bolt (pl)
7	81673	5/8" x 5" Hex Bolt (pl)
8	81677	5/8" Lock Washer (pl)
9	81676	5/8" Hex Nut (pl)
10	9812434	1/4" x 1-1/2" Cotter Pin (pl)
11	967164	Pound-In Grease Nipple
12	901399	Pin 1" Dia. x 5-5/8" Long
13	900709	Pin 1" Dia. x 6-1/8" Long (latch)
14	902411	Wear Washer 3" x 1/4" Thick
15	84522	1" Flat Washer S.A.E. BS (pl)
16	113577	Bushing 1" I.D. x 1-1/4" O.D. x 1-3/8" Long
17	113780	Bushing 1" I.D. x 1-1/4" O.D. x 0.88" Long

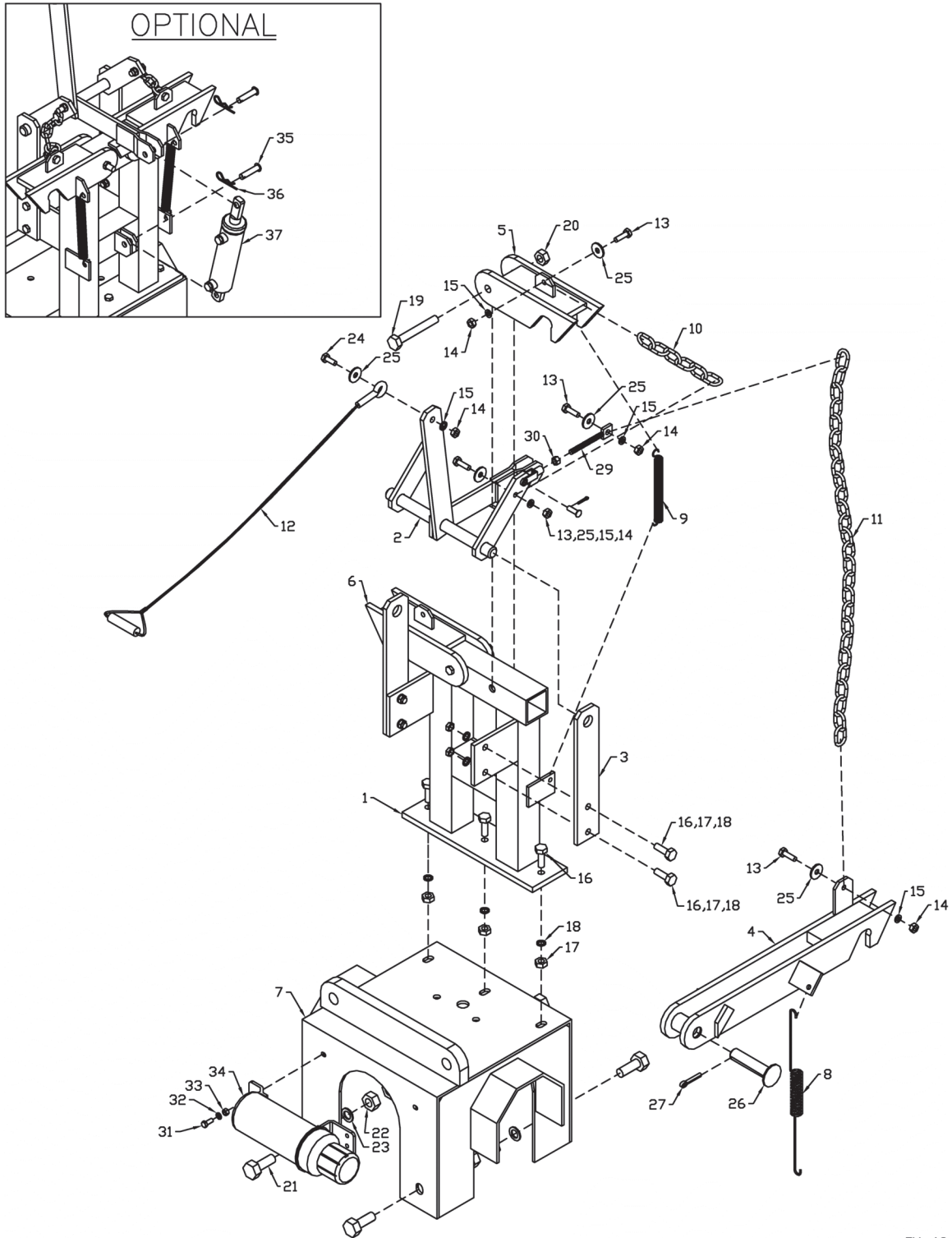
5', 6' & 7' Triplex Hitch Rear Wing Assembly Drawing



FM-16

Item	Part Number	Description
1	901168	Rear Wing Weldment
2	900661	5' Pivot Bar 38-1/2" Long
	900662	6' Pivot Bar 44-1/2" Long
	901158	7' Pivot Bar 49-1/2" Long
3	900703	Rear Wing Bar 1" x 29-3/8"
4	84299	5/8" x 2" Hex Bolt (pl)
5	812482	5/8" Lock Nut (pl)
6	84522	1" S.A.E. Flat Washer (pl)
7	9812434	1/4" x 1-1/2" Cotter Pin (pl)
8	967164	Pound-In Grease Nipple
9	902411	Wear Washer 3" x 1/4" Thick
10	901399	Pin 1" Dia. x 5-5/8" Long (Latch)
11	900709	Pin 1" Dia. x 6-1/8" Long (Wing)
12	87553	1/2" x 1-3/4" Hex Bolt (pl)
13	812364	1/2" Lock Nut (pl)

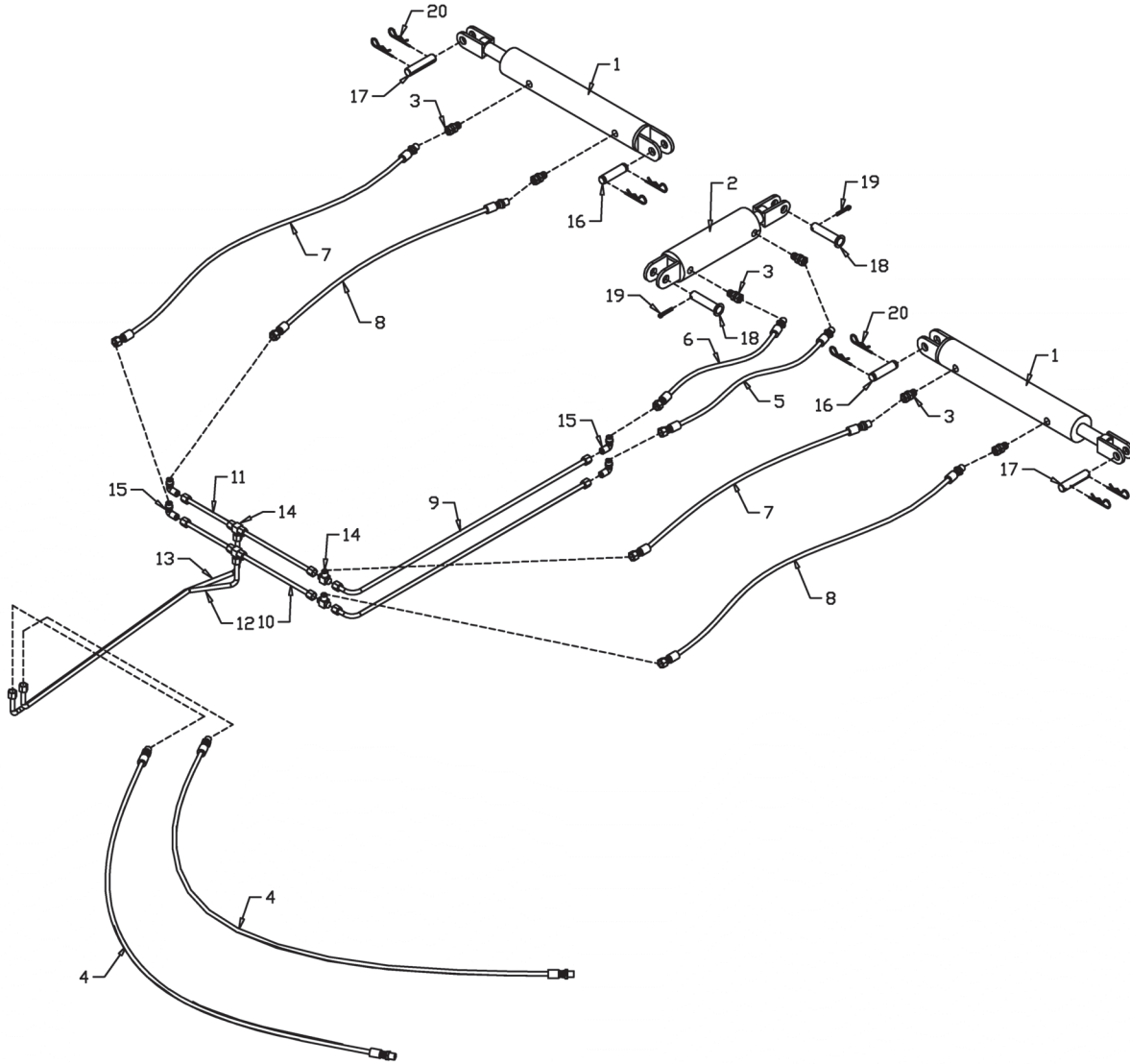
5', 6' & 7' Triplex Hitch Latch Assembly Drawing



FM-12

Item	Part Number	Description
1	901361	Latch Stand Weldment
2	901369	Latch Weldment
3	901377	Rod Support 3/8" x 2-1/2" x 13"
4	901376	Rear Latch Weldment
5	901373	Left Hand Side Latch
6	901432	Right Hand Side Latch
7	901223	Gearbox Cover Weldment
8	973618	Rear Latch Spring
9	960750	Side Latch Spring
10	966591	1/4" x 6 Link Chain
11	905315	1/4" x 26 Link Chain
12	966311	1/8" x 12' Latch Cable Assembly
13	86171	3/8" x 1-1/4" Hex Bolt (pl)
14	81592	3/8" Hex Nut (pl)
15	81593	3/8" Lock Washer (pl)
16	84277	1/2" x 1-1/2" Hex Bolt (pl)
17	81636	1/2" Hex Nut (pl)
18	81637	1/2" Lock Washer (pl)
19	81672	5/8" x 4-1/2" Hex Bolt (pl)
20	812482	5/8" Lock Nut (pl)
21	84467	3/4" x 2" Hex Bolt (pl)
22	81700	3/4" Hex Nut (pl)
23	81701	3/4" Lock Washer (pl)
24	86170	3/8" x 1" Hex Bolt (pl)
25	84000	3/8" Flat Washer (pl)
26	900705	1" x 4-1/2" Pin Weldment
27	9812434	1/4" x 1-1/2" Cotter Pin (pl)
28	905043	Clevis Yoke with Clevis Pin (H.Paulin AY28)
29	903590	Chain Tightener Rod Weldment
30	8175	3/8" Hex Nut NF (pl)
31	812026	5/16" x 1" Hex Bolt (pl)
32	81569	5/16" Lock Washer (pl)
33	81568	5/16" Hex Nut (pl)
34	909277	Manual Holder
35	961013	1/2" x 2-1/8" Clevis Pin (pl)
36	12779	Hair Pin Clip #9
37	24930	1-3/4" x 5" Cylinder

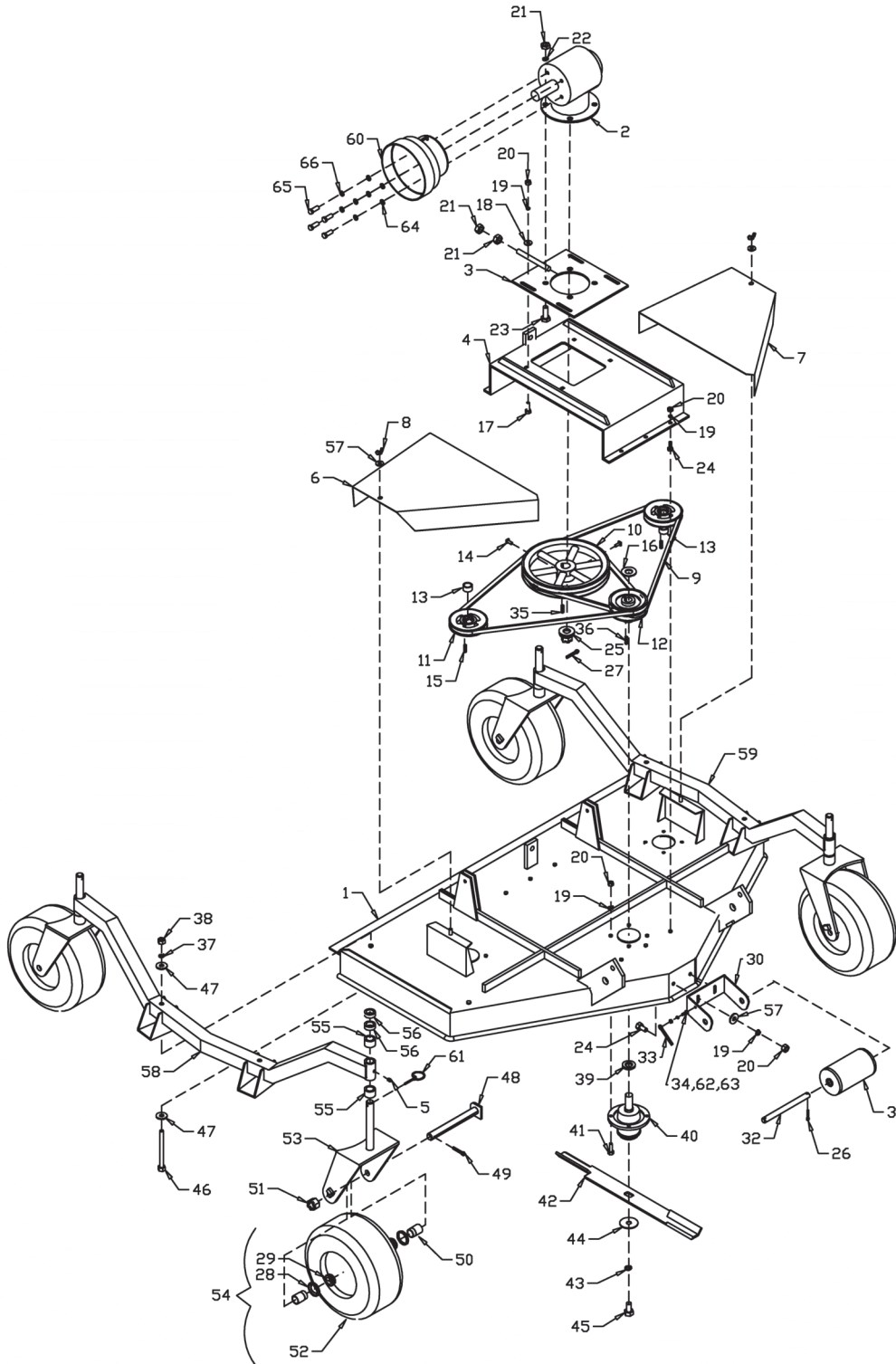
5', 6' & 7' Triplex Hitch Hydraulic Assembly Drawing



FM-20

Item	Part Number	Description
1	24789	Cylinder 3" x 20" Stroke
2	24803	Cylinder 3-1/2" x 8" Stroke
3	966321	Adaptor S01120-8D x .052 (Restrictor Valve)
4	812861	1/2" NPT x 84" Hose 1/2 MNPT x 3/4 MJIC
5	114780	1/2" NPT x 24" Hose 1/2 MNPT x 3/4 SWFJIC
6	114781	1/2" NPT x 18" Hose 1/2 MNPT x 3/4 SWFJIC
7	114782	1/2" NPT x 34" Hose 1/2 MNPT x 3/4 SWFJIC
8	114783	1/2" NPT x 54" Hose 1/2 MNPT x 3/4 SWFJIC
9	114759	Triplex Hydraulic Line - 40"
10	903078	Left Hydraulic Line - 11"
11	903079	Right Hydraulic Line - 7"
12	905044	Hitch Hydraulic Line - 39"
13	905045	Hitch Hydraulic Line - 42"
14	812069	Tee 3/4 MJIC
15	812128	Elbow 90 3/4 MJIC x 3/4 MJIC
16	103753	Cylinder Clevis Pin 1" Dia. x 4"
17	905038	Pin 1" x 4-3/8" (3 Holes)
18	900705	Pin Weldment 1" x 4-1/2"
19	9812434	1/4" x 1-1/2" Cotter Pin (pl)
20	12779	Hair Pin Clip #9 Western Wire

5', 6' & 7' Triplex Hitch Side Mower Deck Assembly Drawing

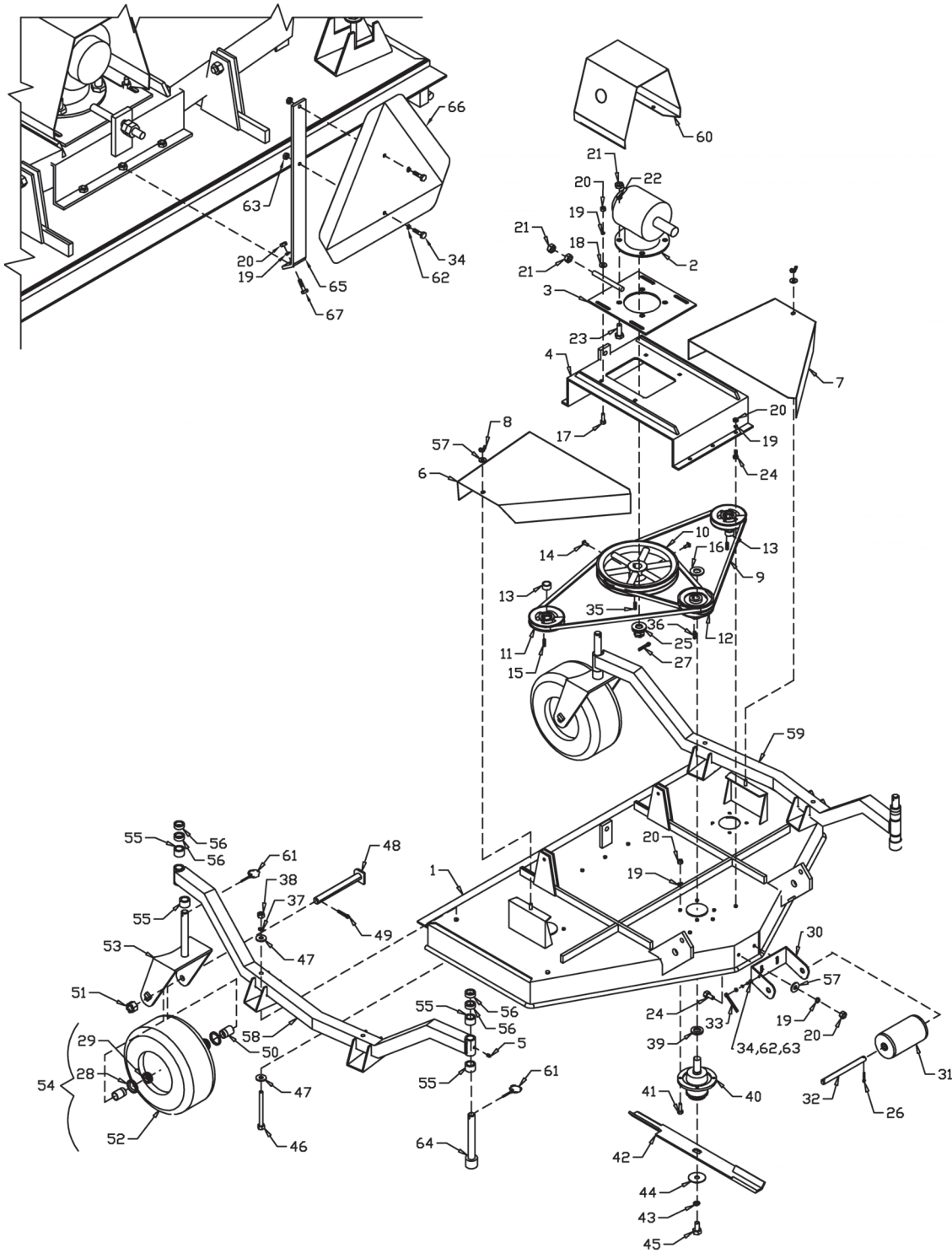


FM-06

Item	Part Number	Description
1	902667	5' Rear Discharge Deck
	902668	6' Rear Discharge Deck
	902669	7' Rear Discharge Deck
2	912300158	Gearbox Assembly
3	980004200	Gearbox Base Plate
4	906343	Gearbox Mount Plate
5	967164	Pound-in Grease Nipple
6	906353	5' Right hand Pulley Guard
	906355	6' Right hand Pulley Guard
	902269	7' Right hand Pulley Guard
7	906354	5' Left hand Pulley Guard
	906356	6' Left hand Pulley Guard
	902268	7' Left hand Pulley Guard
8	84217	3/8" Wing Nut (pl)
9	904251	B-70 Belts (5')
	973506	B-78 Belts (6')
	973248	B-87 Belts (7')
10	966722	12" Double Sheave complete with Set Screws
11	904245	4-1/2" Single Sheave Assy (Machined End Up) (5' & 6')
	904247	5-1/4" Single Sheave Assy (Machined End Up) (7')
12	904246	4-1/2" Double Sheave complete with Set Screws (5' & 6')
	904248	5-1/4" Double Sheave complete with Set Screws (7')
13	966811	Sheave Spacer 1-1/4" O.D. x .70"
14	9812377	5/16" x 3/4" Square Head Set Screw (pl)
15	900931	1/4" Square x 1.11" Key
16	967140	Narrow Rim Washer 1" x 10ga (pl)
17	86182	3/8" x 1-1/4" Carriage Bolt (pl)
18	964001	7/16" I.D. x 10ga Washer (pl)
19	81593	3/8" Lock Washer (pl)
20	81592	3/8" Hex Nut (pl)
21	81676	5/8" Hex Nut (pl)
22	81677	5/8" Lock Washer (pl)
23	84270	5/8" x 1-3/4" Hex Bolt (pl)
24	86170	3/8" x 1" Hex Bolt (pl)
25	905247	Washer & Slotted Hex Nut Weldment Included w/ Gearbox
26	9812434	1/4" x 1-1/2" Cotter Pin (pl)
27	81207	3/16" x 2" Cotter Pin
28	967497	Oil Seal SE10
29	966776	Bearing Cone (L44643) w/o Grease
30	903488	Roller Holder
31	903113	Roller Tube Assembly

Item	Part Number	Description
32	903104	Roller Pin 3/4" Dia x 8-3/4" Lg
33	9812436	1/4" x 2-1/2" Cotter Pin (pl)
34	81525	1/4" x 3/4" Hex Bolt (pl)
35	900929	Pulley Key (1/4" Square x 1-5/8" Long)
36	900930	1/4" x 1-1/2" Key
37	81637	1/2" Lock Washer (pl)
38	81636	1/2" Hex Nut (pl)
39	912301558	1" Snap Ring
40	966860	Spindle w/ Hardware
41	86171	3/8" x 1-1/4" Hex Bolt (pl)
42	966273	21-3/4" Blade (5') - Hard Surfaced
	966274	25-3/4" Blade (6') - Hard Surfaced
	966167	29-3/4" Blade (7') - Hard Surfaced
43	966190	5/8" Lock Wash (pl) Extra Heavy (Supplied w/ Spindle)
44	966188	2-1/2" O.D. x 21/32" I.D. Wash (Supplied w/ Spindle)
45	966189	5/8" x 1-1/4" Gr.8 Hex Bolt Lck (Supplied w/ Spindle)
46	811646	1/2" x 6" Hex Bolt (pl)
47	812769	1-1/2" O.D. x 9/16" I.D. x 10ga Washer (pl)
48	902489	1"Ø x 9-1/4" Wheel Yoke Pin
49	9812433	3/16" x 1-1/2" Cotter Pin (pl)
50	902505	1-3/4" x 1-1/4" O.D. Wheel Spacer (pl)
51	967498	1" Slotted Hex Nut NF 14 (pl)
52	966195	Tire & Rim (15 x 6 -6)
53	902422	Wheel Yoke
54	F6651	Tire, Rim, Yoke Assembly
55	902503	1" Long x 1-5/8" O.D. Bushing (pl)
56	902504	1/2" Long x 1-5/8" O.D. Bushing (pl)
57	84000	3/8" B.S. Flat Washer (pl)
58	902425	62-1/2" Right Axle Beam Weldment (5')
	902427	67-1/2" Right Axle Beam Weldment (6')
	902433	69-1/2" Right Axle Beam Weldment (7')
59	902425	62-1/2" Left Axle Beam Weldment (5')
	902427	67-1/2" Left Axle Beam Weldment (6')
	902433	69-1/2" Left Axle Beam Weldment (7')
60	900750	Side PTO Guard
61	966729	3/16" Linch Pin (pl)
62	81545	1/4" Lock Washer (pl)
63	81544	1/4" Hex Nut (pl)
64	81570	5/16" B.S. Flat Washer (pl)
65	BU500397-6	5/16" x 5/8" Hex Bolt (pl)
66	81569	5/16" Lock Washer (pl)

5', 6' & 7' Triplex Hitch Center Mower Deck Assembly Drawing



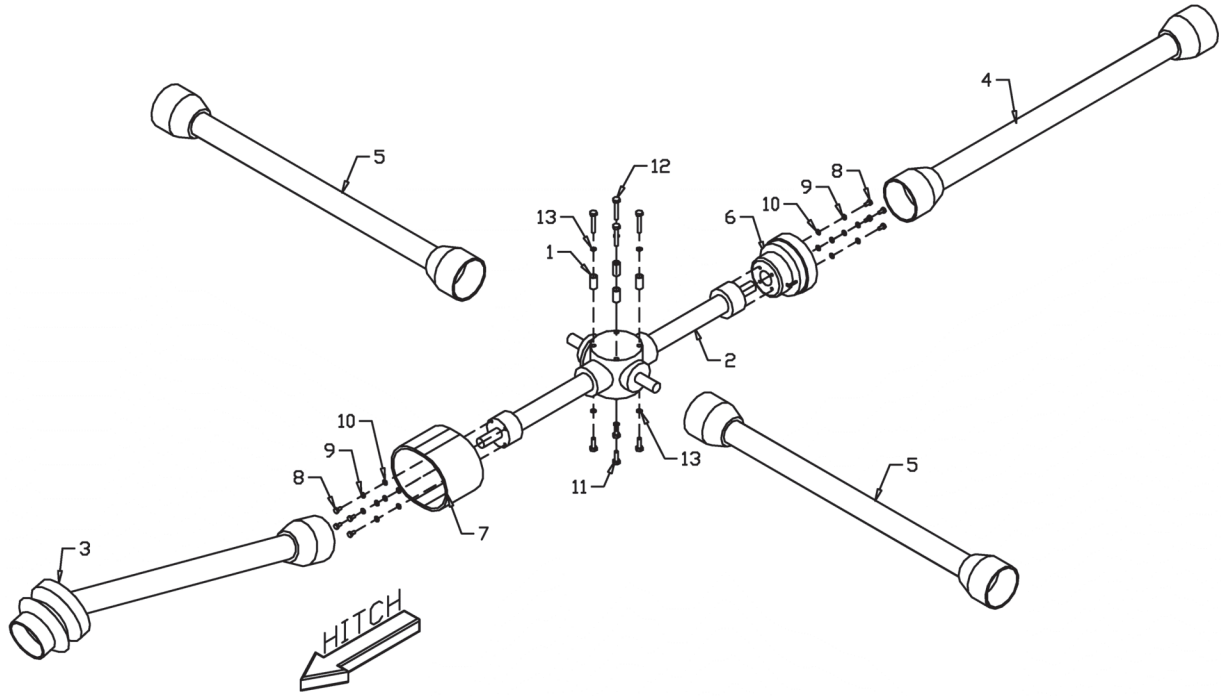
FM-08

Item	Part Number	Description
1	902667	5' Rear Discharge Deck
	902668	6' Rear Discharge Deck
	902669	7' Rear Discharge Deck
2	912300158	Gearbox Assembly
3	980004200	Gearbox Base Plate
4	906343	Gearbox Mount Plate
5	967164	Pound-in Grease Nipple (pl)
6	906353	5' Right hand Pulley Guard
	906355	6' Right hand Pulley Guard
	902269	7' Right hand Pulley Guard
7	906354	5' Left hand Pulley Guard
	906356	6' Left hand Pulley Guard
	902268	7' Left hand Pulley Guard
8	84217	3/8" Wing Nut (pl)
9	904251	B-70 Belts (5')
	973506	B-78 Belts (6')
	973248	B-87 Belts (7')
10	966722	12" Double Sheave complete w/ Set Screws
11	904245	4-1/2" Single Sheave Assembly (Machined End Up) (5' & 6')
	904247	5-1/4" Single Sheave Assembly (Machined End Up) (7')
12	904246	4-1/2" Double Sheave complete with Set Screws (5' & 6')
	904248	5-1/4" Double Sheave complete with Set Screws (7')
13	966811	Sheave Spacer 1-1/4" O.D. x .70"
14	9812377	5/16" x 3/4" Square Head Set Screw (pl)
15	900931	1/4" Square x 1.11" Key
16	967140	Narrow Rim Washer 1" x 10ga (pl)
17	86182	3/8" x 1-1/4" Carriage Bolt (pl)
18	964001	7/16" I.D. x 10ga Washer (pl)
19	81593	3/8" Lock Washer (pl)
20	81592	3/8" Hex Nut (pl)
21	81676	5/8" Hex Nut (pl)
22	81677	5/8" Lock Washer (pl)
23	84270	5/8" x 1-3/4" Hex Bolt (pl)
24	86170	3/8" x 1" Hex Bolt (pl)
25	905247	Washer & Slotted Hex Nut Weldment Included w/ Gearbox
26	9812434	1/4" x 1-1/2" Cotter Pin (pl)
27	81207	3/16" x 2" Cotter Pin
28	967497	Oil Seal SE10
29	966776	Bearing Cone (L44643) w/o Grease
30	903488	Roller Holder
31	903113	Roller Tube Assembly

Item	Part Number	Description
32	903104	Roller Pin 3/4" Dia x 8-3/4" Long
33	9812436	1/4" x 2-1/2" Cotter Pin (pl)
34	81525	1/4" x 3/4" Hex Bolt (pl)
35	900929	Pulley Key (1/4" Square x 1-5/8" Long)
36	900930	1/4" x 1-1/2" Key
37	81637	1/2" Lock Washer (pl)
38	81636	1/2" Hex Nut (pl)
39	912301558	1" Snap Ring
40	966860	Spindle w/ Hardware
41	86171	3/8" x 1-1/4" Hex Bolt (pl)
42	966273	21-3/4" Blade (5') - Hard Surfaced
	966274	25-3/4" Blade (6') - Hard Surfaced
	966167	29-3/4" Blade (7') - Hard Surfaced
43	966190	5/8" Lock Wash (pl) Extra Heavy (Supplied w/ Spindle)
44	966188	2-1/2" O.D. x 21/32" I.D. Washer (Supplied w/ Spindle)
45	966189	5/8" x 1-1/4" Gr.8 Hex Bolt Lock (Supplied w/ Spindle)
46	811646	1/2" x 6" Hex Bolt (pl)
47	812769	1-1/2" O.D. x 9/16" I.D. x 10ga Washer (pl)
48	902489	1" Dia. x 9-1/4" Wheel Yoke Pin
49	9812433	3/16" x 1-1/2" Cotter Pin (pl)
50	902505	1-3/4" x 1-1/4" O.D. Wheel Spacer (pl)
51	967498	1" Slotted Hex Nut NF 14 (pl)
52	966195	Tire & Rim (15 x 6 -6)
53	902422	Wheel Yoke
54	F6651	Tire, Rim, Yoke Assembly
55	902503	1" Long x 1-5/8" O.D. Bushing (pl)
56	902504	1/2" Long x 1-5/8" O.D. Bushing (pl)
57	84000	3/8" B.S. Flat Washer (pl)
58	902425	62-1/2" Right Axle Beam Weldment (5')
	902431	67-1/2" Right Axle Beam Weldment (6')
	902433	69-1/2" Right Axle Beam Weldment (7')
59	902425	62-1/2" Left Axle Beam Weldment (5')
	902430	67-1/2" Left Axle Beam Weldment (6')
	902433	69-1/2" Left Axle Beam Weldment (7')
60	966748	PTO Guard
61	966729	3/16" Linch Pin (pl)
62	81545	1/4" Lock Washer (pl)
63	81544	1/4" Hex Nut (pl)
64	902421	Yoke Shaft 1-1/4" Dia. x 9-1/4" Long (5' & 6')
	902422	Wheel Yoke (7' Only)
65	909902	SMV Sign Bracket

Item	Part Number	Description
66	967066	SMV Sign
67	811792	3/8" x 1-1/2" Hex Bolt (pl)

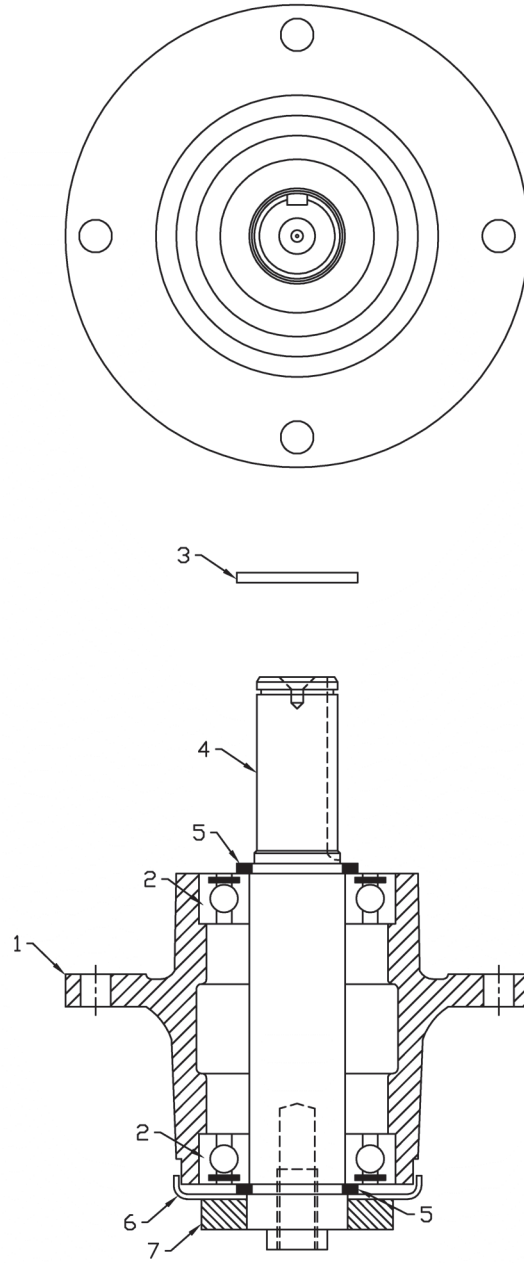
5', 6' & 7' Triplex Hitch PTO Assembly Drawing



FM-18

Item	Part Number	Description
1	900736	Gearbox Spacer 1" O.D. x 1-7/8" Long
2	966300	Gearbox Assembly - BONDIOLI 2050 - w/o Oil
3	F0693	CV PTO Shaft - BONDIOLI
4	F0404	Rear Mower PTO - 5' & 6'
	F0403	Rear Mower PTO - 7'
5	F0401	Side PTO - 5'
	F0400	Side PTO - 6'
	F0403	Side PTO - 7'
6	900748	Rear PTO Guard
7	900749	Front PTO Guard
8	84072	3/8" x 3/4" Hex Bolt (pl)
9	81593	3/8" Lock Washer (pl)
10	84000	3/8" Standard Flat Washer (pl)
11	84277	1/2" x 1-1/2" Hex Bolt (pl)
12	81627	1/2" x 3" Hex Bolt (pl)
13	81637	1/2" Lock Washer (pl)

Finishing Mower Spindle Assembly Drawing



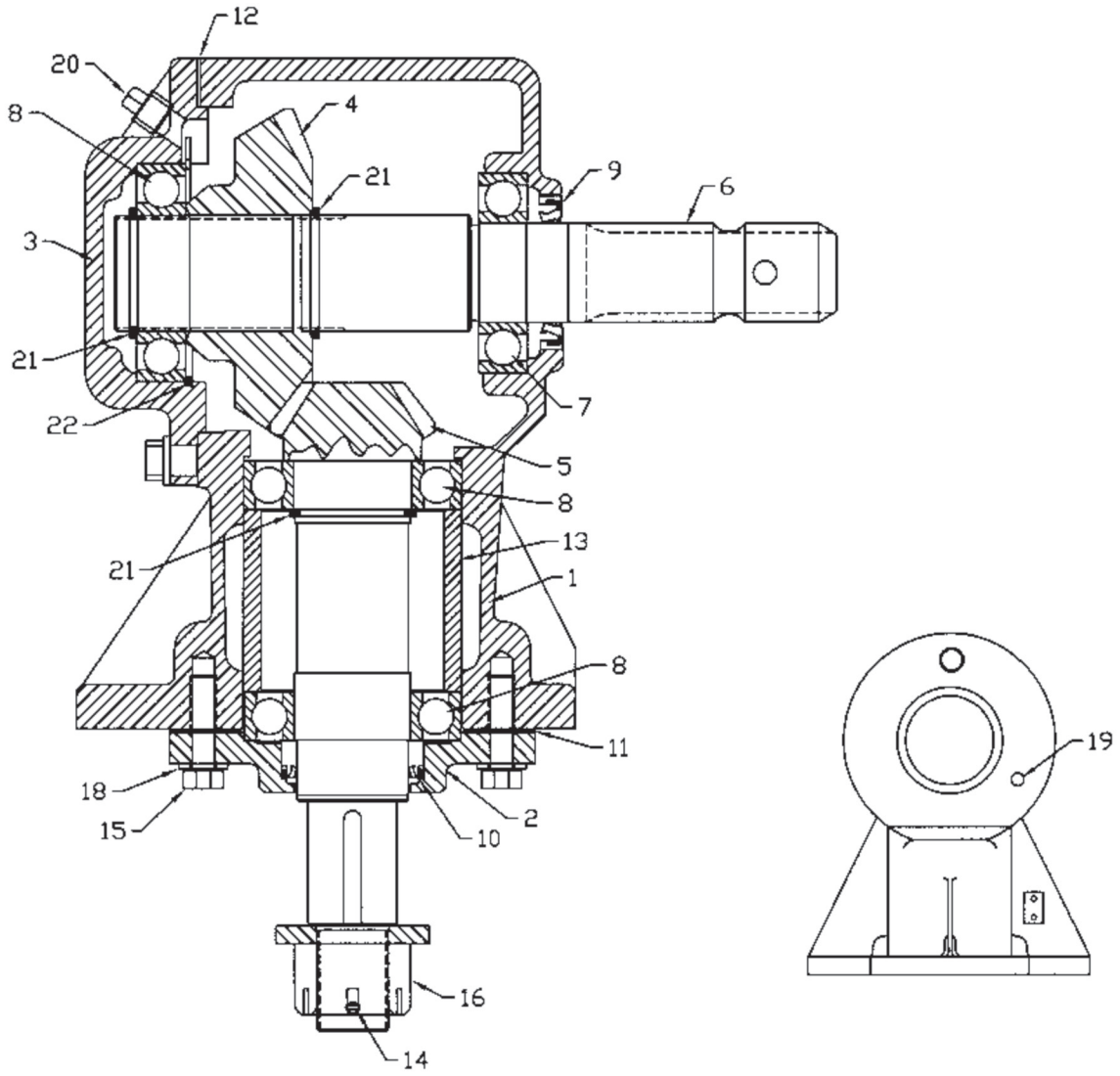
FM-63

Item	Part Number	Description
------	-------------	-------------

Spindle Parts List (4', 5', & 6' Side & Rear)		
	906339	Spindle Assembly Complete (Includes Hardware)
1	966764	Spindle Housing
2	906399	Spindle Bearing, 6206-Z
3	912301558	Snap Ring
4	906394	Spindle Shaft
5	966769	Snap Ring
6	966820	Shield
7	966821	Blade Mount Base

Spindle Parts List (7' Rear)(All Size Heavy Duty & Triplex)		
	966860	Spindle Assembly Complete (Includes Hardware)
1	966862	Spindle Housing
2	966863	Spindle Bearing (63067)
3	912301558	Snap Ring
4	906394	Spindle Shaft
5	966769	Snap Ring
6	966865	Shield
7	966821	Blade Mount Base

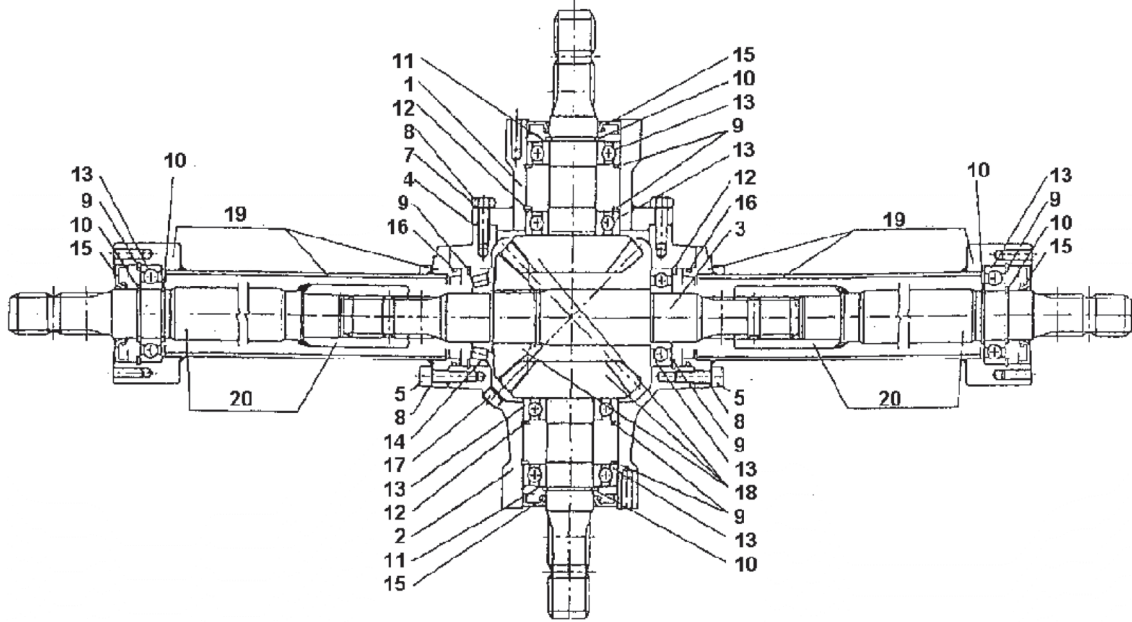
Finishing Mower Gearbox Drawing



912300158

Item	Part Number	Description
	912300158	Gearbox Complete
1	966813	Housing
2	914015	Output Cap
3	966814	Blank Cap
4	966815	Input Gear, 29T
5	966816	Pinion Gear, 15T
6	966817	Input Shaft
7	966542	Ball Bearing, 6207
8	966555	Ball Bearing, 6208
9	966818	Input Seal
10	966819	Output Seal
11	914019	Output Gasket
12	914007	Input Gasket
13	914001	Spacer
14	966562	Cotter Pin
15	86171	3/8" x 1-1/4" Hex Bolt
16	905247	1" NF Hex Nut W/Washer
18	81593	3/8" Lock Washer
19	914016	1/8" Sq. Hd. Solid Plug
20	966193	1/4" Vented Plug
21	914008	Retaining Ring
22	914003	Retaining Ring

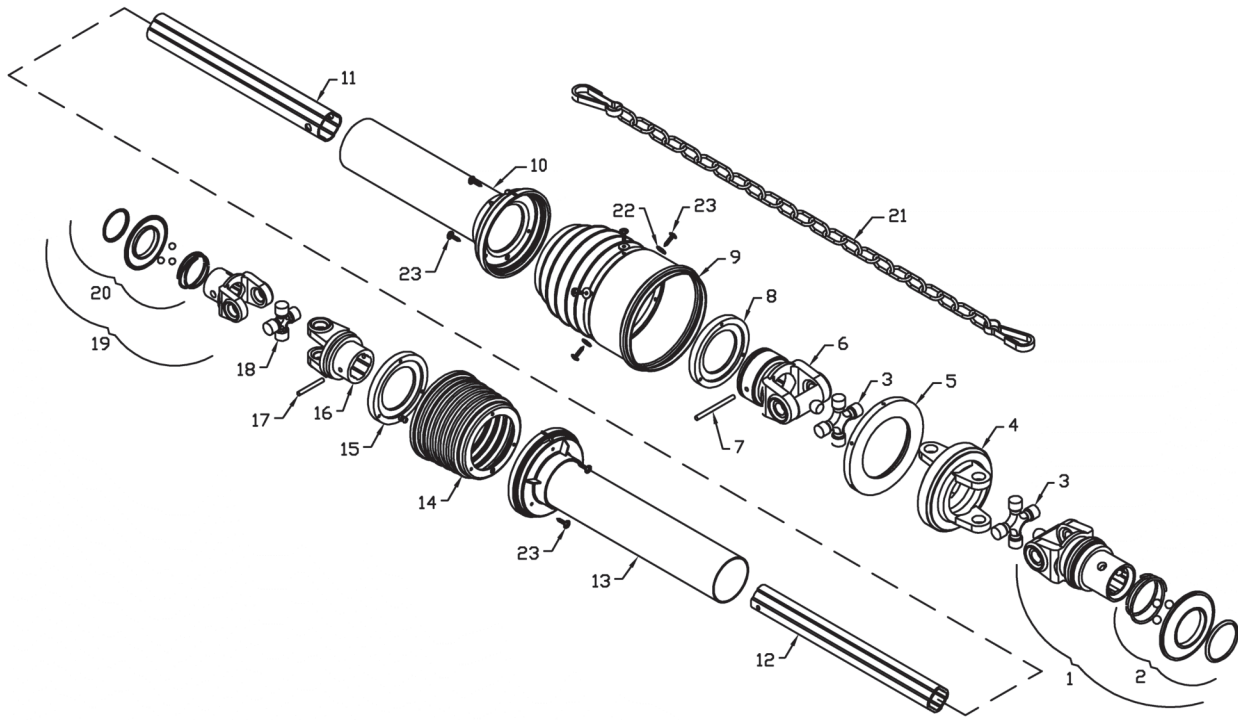
Triplex Mower Gearbox Drawing



FM-26

Item	Part Number	Description	Qty
	966300	Gearbox Complete	1
1	966030	Hub	1
2	966031	Housing	1
3	966032	Shaft	1
4	966033	Gasket	1
5	966034	Screw	8
6	966035	Screw	5
7	966036	Washer	6
8	966037	Washer	8
9	967305	Snap Ring	8
10	967399	Snap Ring	6
11	966039	Ring	2
12	966040	Ring	3
13	966555	Ball Bearing	7
14	966042	Tapered r. Bearing	1
15	966043	Oil Seal	4
16	966044	Oil Seal	2
17	967312	Oil Plug	3
18	966045	Bevel Gear	1
19	966046	Extension	2
20	966047	Shaft	2

Triplex Main CV PTO Shaft Drawing

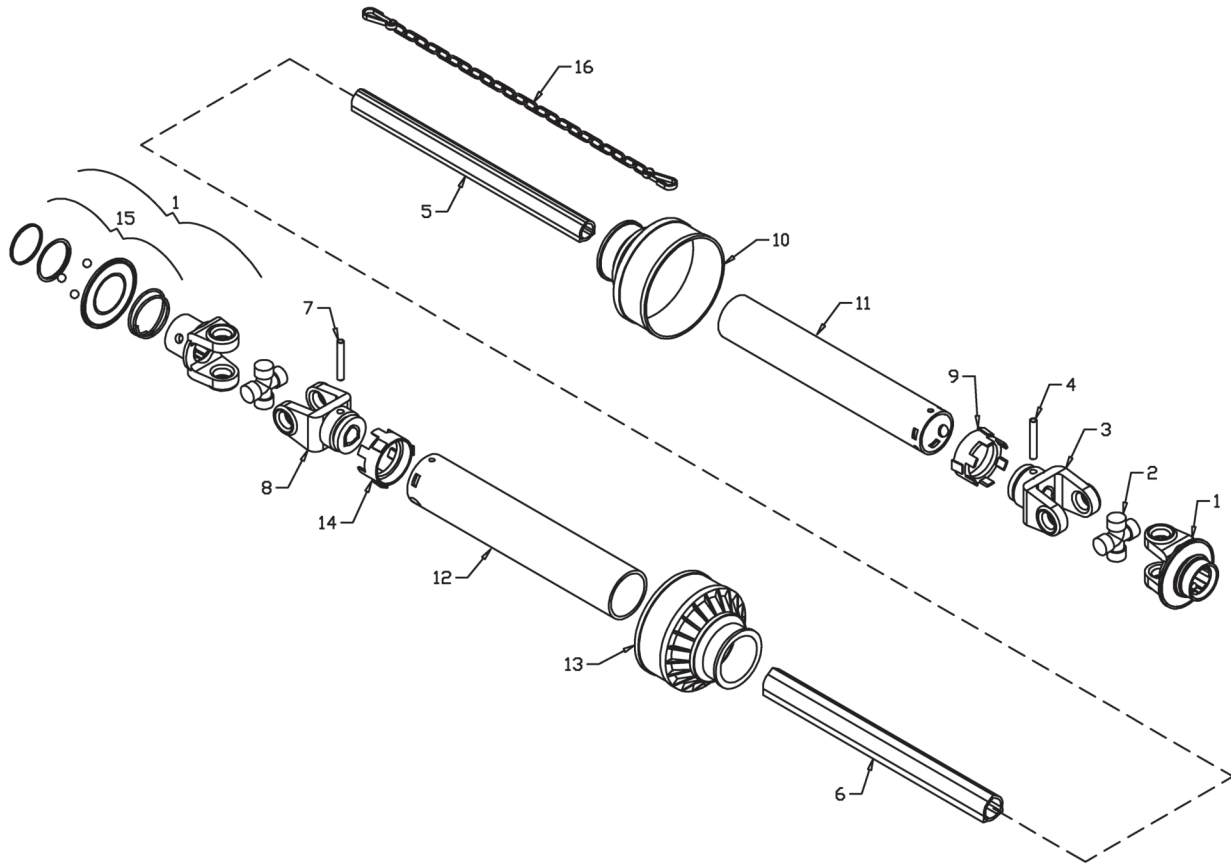


FM-21

Item	Part Number	Description
4' Triplex Mower Main CV PTO Shaft Parts List		
	F0692	Shaft Complete
	909485	Tractor Half of PTO (CV End)
	909486	Implement Half of PTO
	909552	Full Shielding Set
	909550	Tractor Half Shielding
	909551	Implement Half Of Shielding
1	909470	Tractor Yoke With Release
2	909489	Disconnect Repair Kit (CV End Only)
3	909479	Cross Kit (CV End)
4	909472	Central Body
5	909482	Shield Support Ring
6	909471	Outer Cardan Tube Yoke
7	909473	Flexible Roll Pin
8	909481	Shield Support (Outer)
9	909556	Tractor Yoke Shielding Cone
10	909557	Outer Cardan Tube Shielding
11	909474	Outer Cardan Tube
12	909475	Inner Cardan Tube
13	909559	Inner Cardan Tube Shielding
14	909558	Implement Yoke Shielding Cone
15	909473	Shield Support (Inner)
16	909477	Inner Cardan Tube Yoke
17	936351	Flexible Roll Pin
18	909480	Cross Kit (Implement End)
19	909478	Implement Yoke With Release
20	909490	Disconnect Repair Kit (Implement End)
21	909484	Safety Chain
22	909488	Shield Washer
23	909487	Shielding Self Tapping Screw

Item	Part Number	Description
5', 6' & 7' Triplex Mower Main CV PTO Shaft Parts List		
	F0693	Shaft Complete
	909505	Tractor Half of PTO (CV End)
	909506	Implement Half of PTO
	909555	Full Shielding Set
	909553	Tractor Half Of Shielding
	909554	Implement Half Of Shielding
1	909491	Tractor Yoke With Release
2	909489	Disconnect Repair Kit (CV End Only)
3	909499	Cross Kit (CV End)
4	909493	Central Body
5	909502	Shield Support Ring
6	909492	Outer Cardan Tube Yoke
7	909494	Flexible Roll Pin
8	909501	Shield Support (Outer)
9	909560	Tractor Yoke Shielding Cone
10	909561	Outer Cardan Tube Shielding
11	909495	Outer Cardan Tube
12	909496	Inner Cardan Tube
13	909563	Inner Cardan Tube Shielding
14	909562	Implement Yoke Shielding Cone
15	909503	Shield Support (Inner)
16	909497	Inner Cardan Tube Yoke
17	910-042	Flexible Roll Pin
18	909500	Cross Kit (Implement End)
19	909498	Implement Yoke With Release
20	909490	Disconnect Repair Kit (Implement End)
21	909504	Safety Chain
22	909488	Shield Washer
23	909487	Shielding Self Tapping Screw

Triplex Mower PTO Shafts Drawing (Rear and Sides)



FM-22

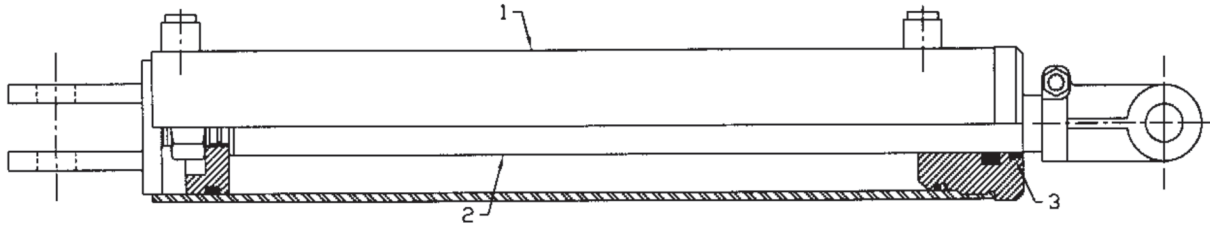
Item	Part Number	Description
4' Triplex Mower PTO Shaft Parts List		
	F0405	Shaft Complete
	907934	Outer Half of PTO
	907935	Inner Half of PTO
1	907290	Yoke
2	920-002	Repair Kit
3	920-004	Outer Tube Yoke
4	920-006	Flexible Pin
5	936552	Outer Cardan Tube
6	936553	Inner Cardan Tube
7	930-109	Flexible Pin
8	920-003	Inner Tube Yoke
9	920-013	Outer Bearing
10	936300	Outer Cone Set
11	936554	Outer Safety Tube
12	936555	Inner Safety Tube
13	936305	Inner Cone Set
14	920-015	Inner Shield Bearing
15	908244	Ball & Collar Kit
16	936402	Safety Chain
Not Illustrated	936444	Danger Label on Cardan Tube
Not Illustrated	936447	Danger Label on Outer Shield

Item	Part Number	Description
4' Triplex Mower PTO Shaft Parts List (Rear and Side)		
	F0401	Shaft Complete - Side
	907938	Outer Half of PTO - Side
	907939	Inner Half of PTO - Side
	F0404	Shaft Complete - Rear
	907940	Tractor Half of PTO - Rear
	907941	Implement Half of PTO - Rear
1	907290	Yoke - Side & Rear
2	920-002	Repair Kit - Side & Rear
3	920-004	Outer Tube Yoke - Side & Rear
4	920-006	Flexible Pin - Side & Rear
5	936404	Outer Cardan Tube - Side
	936403	Outer Cardan Tube - Rear
6	936406	Inner Cardan Tube - Side
	936451	Inner Cardan Tube - Rear
7	930-109	Flexible Pin - Side & Rear
8	920-003	Inner Tube Yoke - Side & Rear
9	920-013	Outer Bearing - Side & Rear
10	936300	Outer Cone Set - Side & Rear
11	936408	Outer Safety Tube - Side
	936452	Outer Safety Tube - Rear
12	936410	Inner Safety Tube - Side
	936453	Inner Safety Tube - Rear
13	936305	Inner Cone Set - Side & Rear
14	920-015	Inner Shield Bearing - Side & Rear
15	908244	Release Hub - Side & Rear
16	936402	Safety Chain Side & Rear
Not Illustrated	936444	Danger Label on Cardan Tube
Not Illustrated	936447	Danger Label on Outer Shield

Item	Part Number	Description
6' Triplex Mower PTO Shaft Parts List (Rear and Side)		
	F0400	Shaft Complete - Side
	907942	Outer Half of PTO - Side
	907943	Inner Half of PTO - Side
	F0404	Shaft Complete - Rear
	907940	Tractor Half of PTO - Rear
	907941	Implement Half of PTO - Rear
1	907290	Yoke - Side & Rear
2	920-002	Repair Kit - Side & Rear
3	920-004	Outer Tube Yoke - Side & Rear
4	920-006	Flexible Pin - Side & Rear
5	936403	Outer Cardan Tube - Side
	936403	Outer Cardan Tube - Rear
6	936405	Inner Cardan Tube - Side
	936451	Inner Cardan Tube - Rear
7	930-109	Flexible Pin - Side & Rear
8	920-003	Inner Tube Yoke - Side & Rear
9	920-013	Outer Bearing - Side & Rear
10	936300	Outer Cone Set - Side & Rear
11	936407	Outer Safety Tube - Side
	936407	Outer Safety Tube - Rear
12	936409	Inner Safety Tube - Side & Rear
13	936305	Inner Cone Set - Side & Rear
14	920-015	Inner Bearing - Side & Rear
15	908244	Release Hub - Side & Rear
16	936402	Safety Chain Side & Rear
Not Illustrated	936444	Danger Label on Cardan Tube
Not Illustrated	936447	Danger Label on Outer Shield

Item	Part Number	Description
7' Triplex Mower PTO Shaft Parts List (Rear and Side)		
	F0403	Shaft Complete
	907944	Outer Half of PTO
	907945	Inner Half of PTO
1	907186	Yoke
2	966211	Repair Kit
3	936344	Outer Tube Yoke
4	936350	Flexible Pin
5	936472	Outer Cardan Tube
6	936473	Inner Cardan Tube
7	936351	Flexible Pin
8	936345	Inner Tube Yoke
9	966209	Outer Bearing
10	936475	Outer Cone Set
11	936476	Outer Safety Tube
12	936477	Inner Safety Tube
13	966208	Inner Shield Cone
14	966210	Inner Shield Collar
15	907192	Ball & Collar Kit
16	936402	Safety Chain
Not Illustrated	936444	Danger Label on Cardan Tube
Not Illustrated	936447	Danger Label on Outer Shield

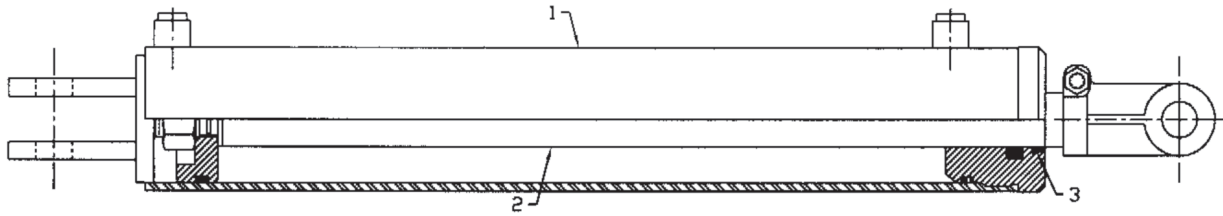
3 x 18 Cylinder Assembly Drawing



24932

Item	Part Number	Description
	24932	Cylinder Complete
1	24933	Tube Weldment
2	113936	Piston Rod 1.5 Diameter
3	X2415	Seal Kit

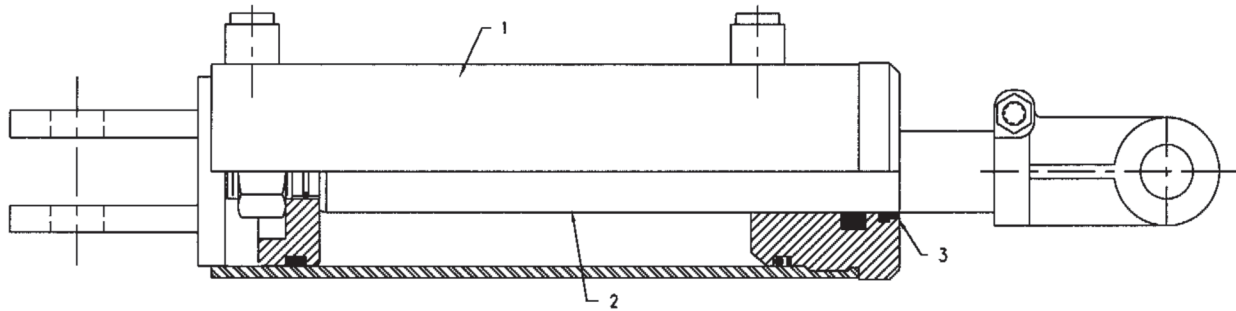
3 x 20 Cylinder Assembly Drawing



24789

Item	Part Number	Description
	24789	Cylinder Complete
1	24790	Tube Weldment
2	113940	Piston Rod 1.5 Diameter
3	X2415	Seal Kit

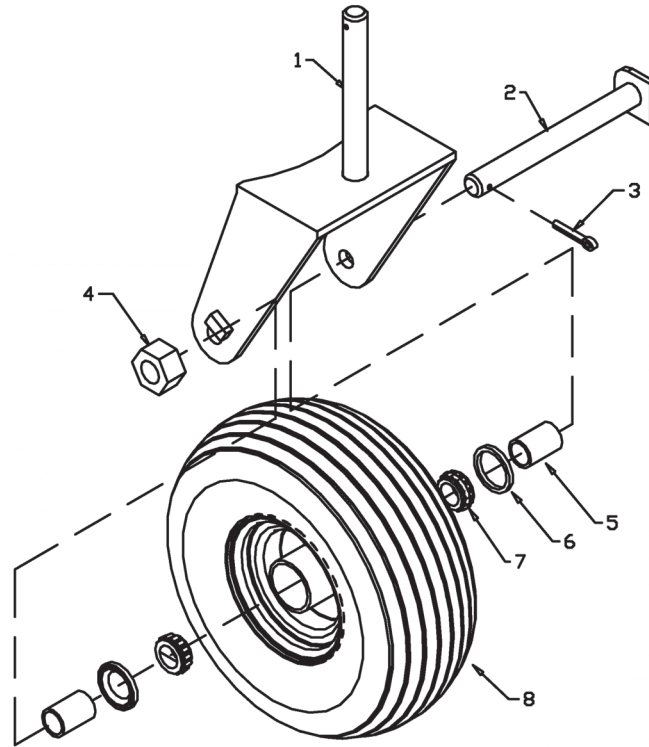
3.5 x 8 Cylinder Assembly Drawing



24803

Item	Part Number	Description
	24803	Cylinder Complete
1	24804	Tube Weldment
2	113934	Piston Rod 1.5 Diameter
3	X2098	Seal Kit

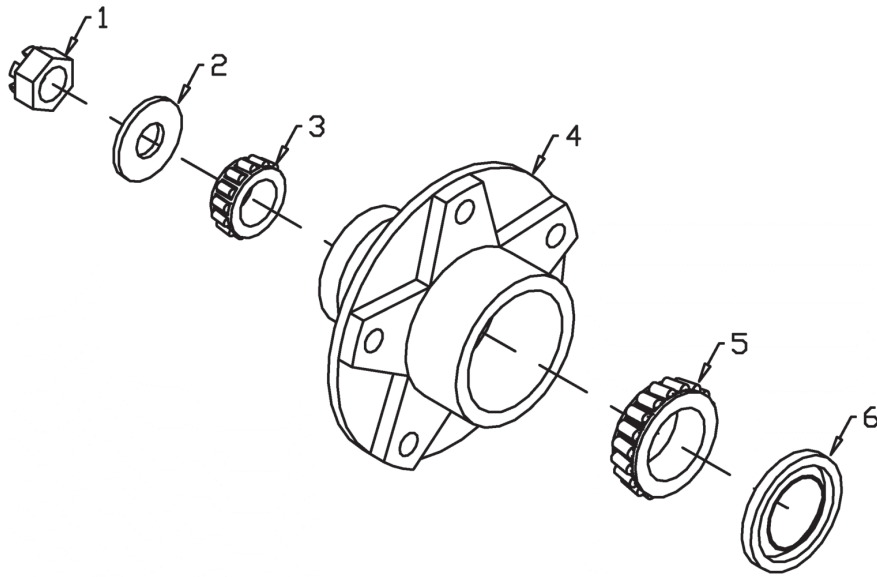
Mower Deck Wheel Bearings Drawing



FM-33

Item	Part Number	Description
1	902422	Wheel Yoke
2	902489	1" x 9-1/4" long Wheel Yoke Pin
3	812681	3/16" x 1-1/2" Cotter Pin (pl)
4	967498	1" Slotted Hex Nut (NF) 14 (pl)
5	902505	1-3/4" x 1-1/4" O.D. Wheel Spacer (pl)
6	967497	Oil Seal (SE 10)
7	966776	Bearing Cone (L44643)
8	966195	Tire & Rim (15 x 6 - 6)

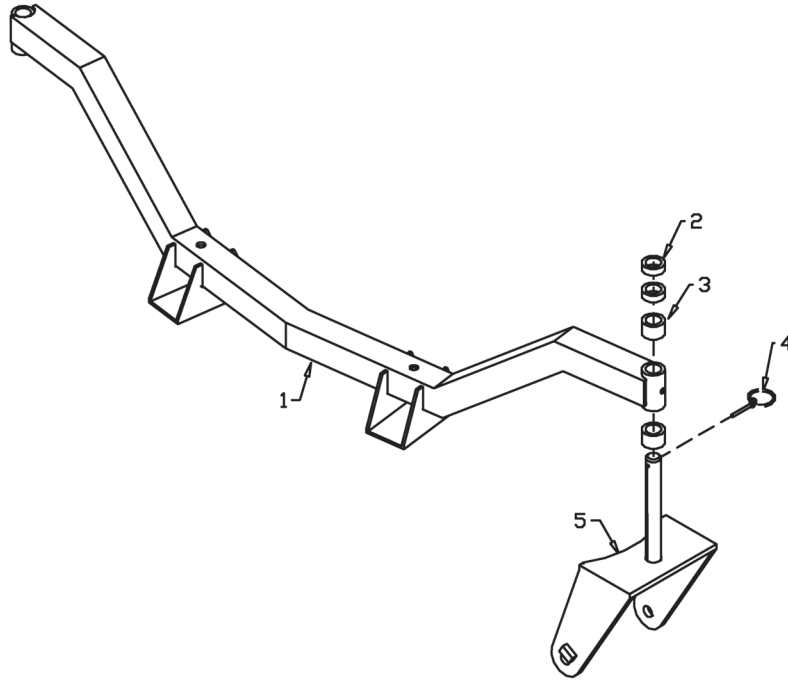
Triplex Wheel Bearings Drawing



FM-34

Item	Part Number	Description
1	81834	3/4" Slotted Hex Nut
2	84050	3/4" S.A.E. Flat Washer (pl)
3	968406	Outer Cone (LM11949)
4	968403	Hub with Bearing Cups (H516)
5	967208	Inner Cone (LM48548)
6	968430	Oil Seal (SE 14X)

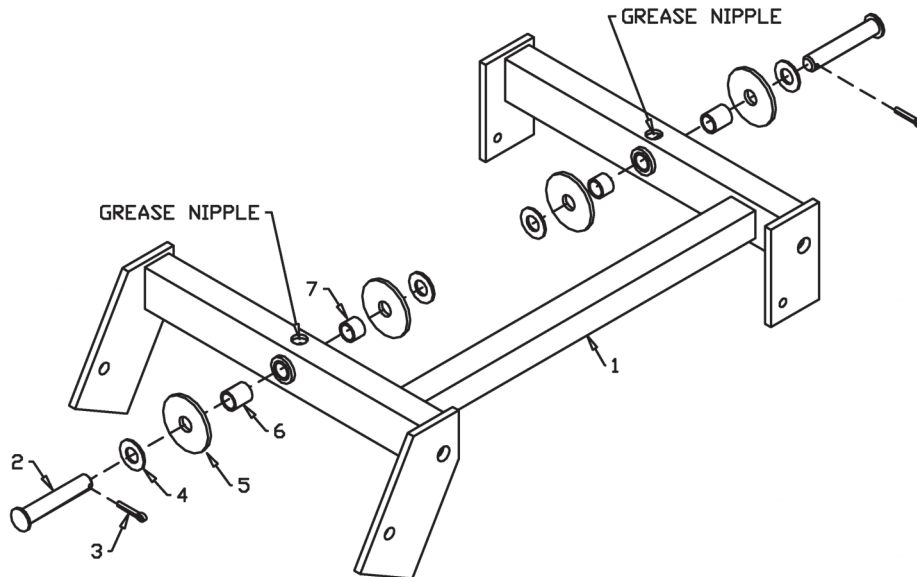
Blade Height Adjustment Drawing



FM-35

Item	Part Number	Description
1	903834	57-1/2" Axle Beam Weldment (4')
	902425	62-1/2" Axle Beam Weldment (5')
	902427	67-1/2" Axle Beam Weldment (6')
	902431	67-1/2" Right Axle Beam Weldment (6')
	902430	67-1/2" Left Axle Beam Weldment (6')
	902433	69-1/2" Right Axle Beam Weldment (7')
	2	902504
3	902503	1" Long x 1-5/8" O.D. Bushing (pl)
4	966729	3/16" Linch Pin (pl)
5	902422	Wheel Yoke

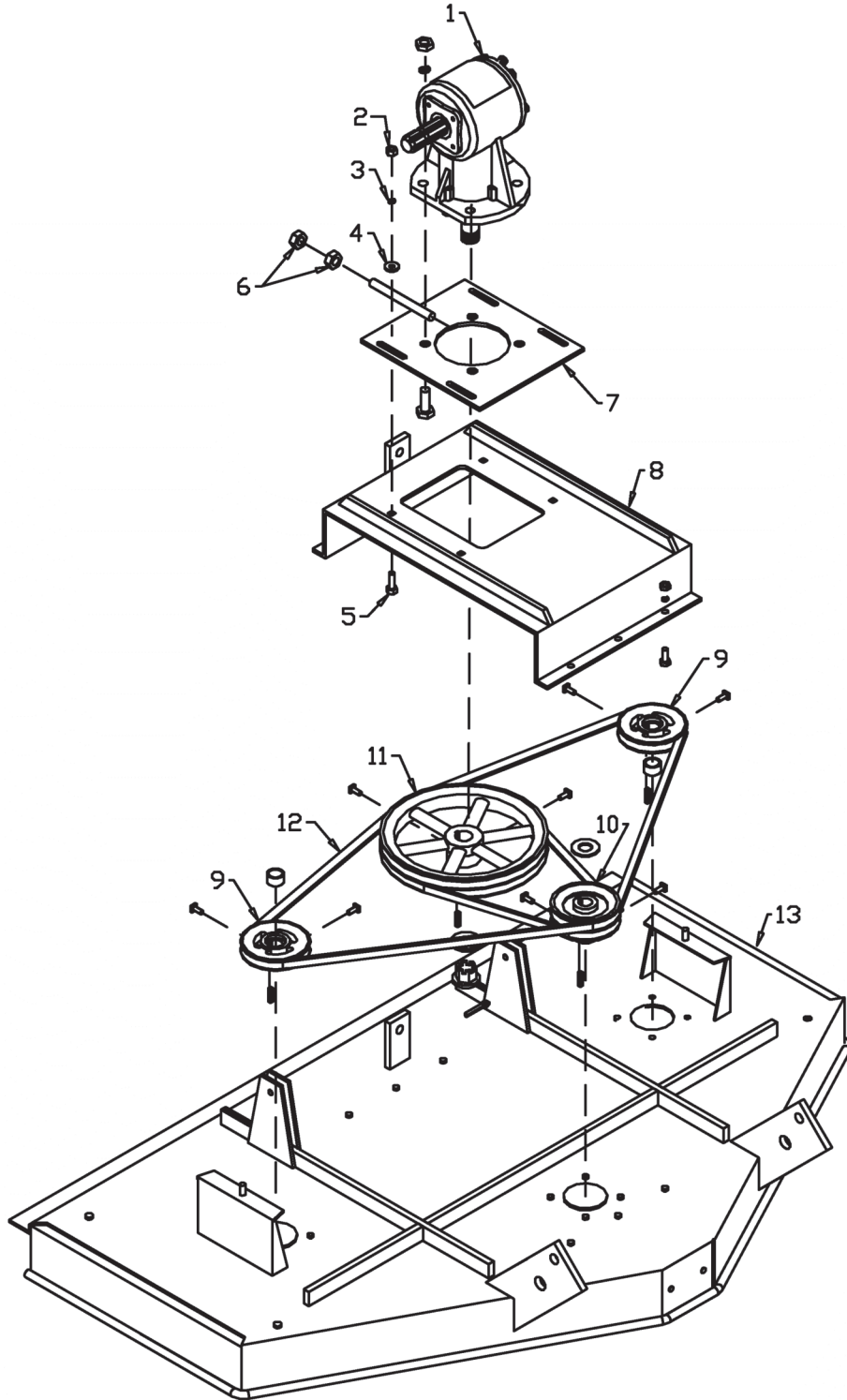
Brass Bushing Replacement and Lubrication on Wings Drawing



FM-40

Item	Part Number	Description
1	903630	4' Left Hand Deck Mount Weldment
	903631	4' Right Hand Deck Mount Weldment
	900650	5' Left Hand Deck Mount Weldment
	900651	5' Right Hand Deck Mount Weldment
	900652	6' Left Hand Deck Mount Weldment
	900653	6' Right Hand Deck Mount Weldment
	901207	7' Left Hand Deck Mount Weldment
	901208	7' Right Hand Deck Mount Weldment
2	901399	Pin 1" x 5 5/8" Long
3	9812434	1/4" x 1-1/2" Cotter Pin (pl)
4	84522	1" Flat Washer S.A.E. (pl)
5	902411	Wear Washer 3-3/4" x 1/4" Thick
6	113577	Bushing 1" I.D. x 1-1/4" O.D. x 1-3/8" Long
7	113780	Bushing 1" I.D. x 1-1/4" O.D. x .88" Long

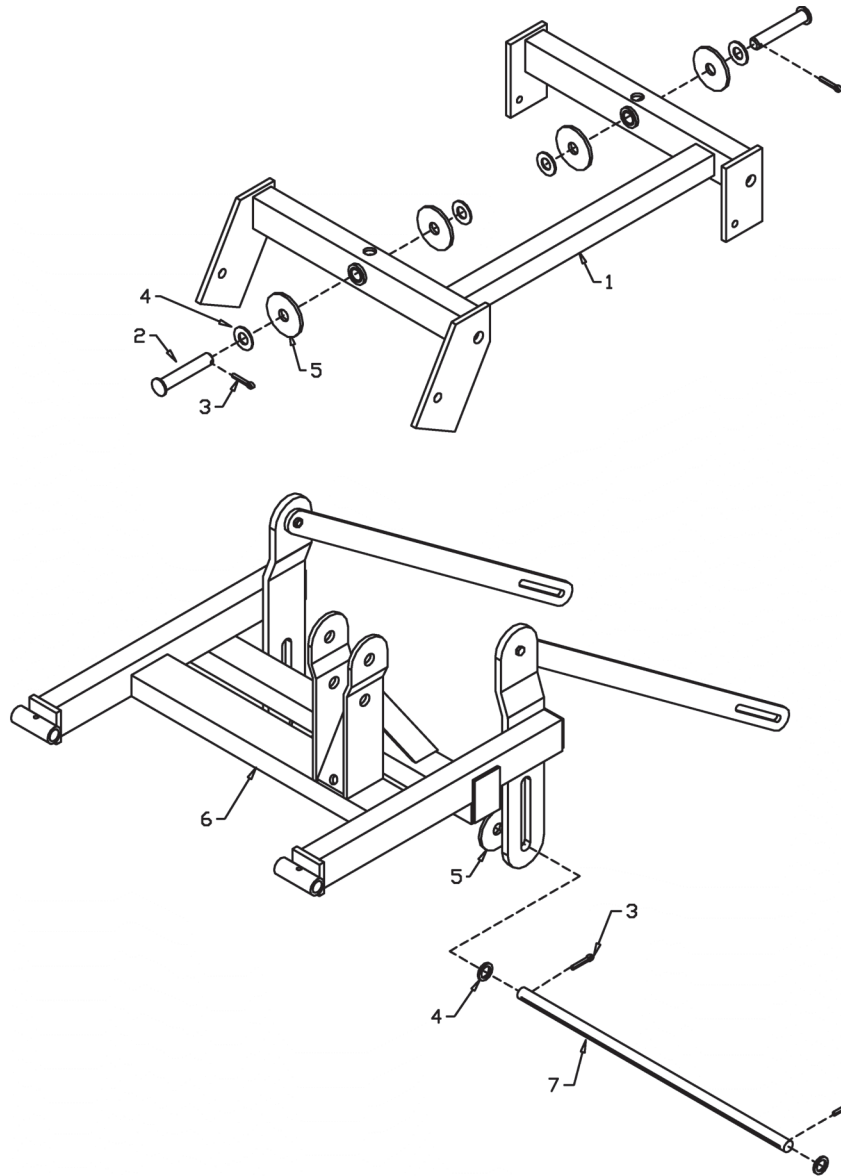
Mower Deck Belt Adjustment Drawing



FM-38

Item	Part Number	Description
1	912300158	Gearbox Assembly
2	81592	3/8" Hex Nut (pl)
3	81593	3/8" Lock Washer (pl)
4	964001	7/16" I.D. x 10 Ga Washer (pl)
5	86182	3/8" x 1-1/4" Carriage Bolt (pl)
6	81676	5/8" Hex Nut (pl)
7	980004200	Gearbox Base Plate
8	906342	Gearbox Mount Plate (4')
	906343	Gearbox Mount Plate (5'-7')
9	904243	3-3/4" Single Sheave (Machined End Up) (4')
	904245	4-1/2" Single Sheave (Machined End Up) (5' & 6')
	904247	7" Single Sheave (Machined End Up) (7')
10	904244	3-3/4" Double Sheave (4')
	904246	4-1/2" Double Sheave (5' & 6')
	904248	5-1/4" Double Sheave (7')
11	966722	12" Double Pulley (1.25" Bore)
12	904250	B-61 Belts (4')
	904251	B-70 Belts (5')
	973506	B-78 Belts (6')
	973248	B-87 Belts (7')
13	903815	4' Rear Discharge Deck
	902667	5' Rear Discharge Deck
	902668	6' Rear Discharge Deck
	902669	7' Rear Discharge Deck

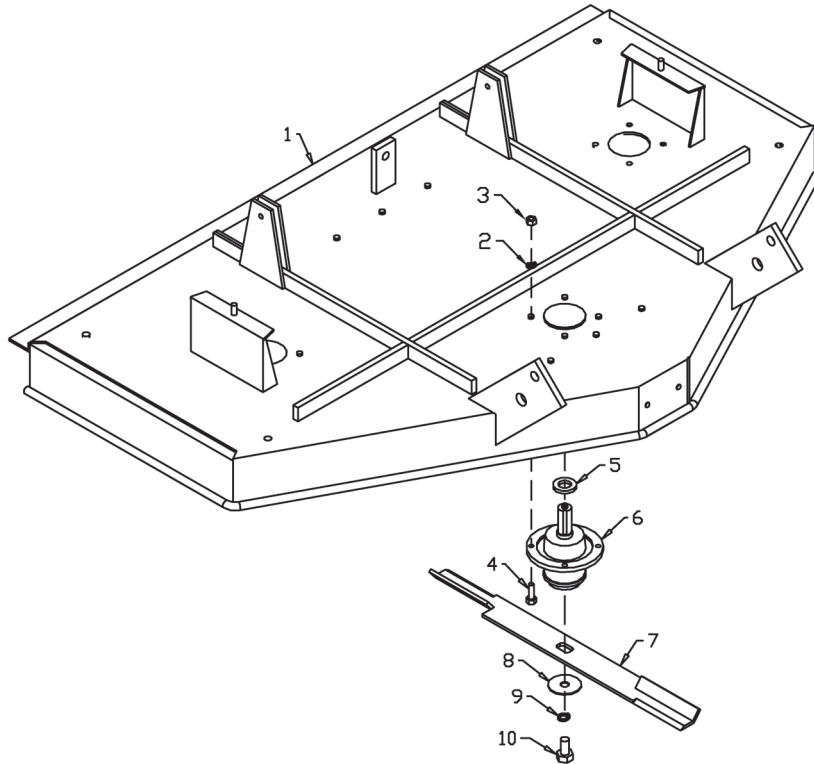
UHMW Bushing Replacement Drawing



FM-41

Item	Part Number	Description
1	903630	4' Left Hand Deck Mount Weldment
	903631	4' Right Hand Deck Mount Weldment
	900650	5' Left Hand Deck Mount Weldment
	900651	5' Right Hand Deck Mount Weldment
	900652	6' Left Hand Deck Mount Weldment
	900653	6' Right Hand Deck Mount Weldment
	901207	7' Left Hand Deck Mount Weldment
	901208	7' Right Hand Deck Mount Weldment
2	901399	Pin 1" x 5-5/8" Long
3	9812434	1/4" x 1-1/2" Cotter Pin (pl)
4	84522	1" Flat Washer S.A.E. (pl)
5	902411	Wear Washer 3-3/4" x 1/4" Thick
6	903614	Rear Wing Weldment (4')
	901168	Rear Wing Weldment (5'-7')
7	900703	Rear Wing Bar 1" x 29-3/8"

Blade Replacement Drawing



FM-42

Item	Part Number	Description
1	903815	4' Rear Discharge Deck
	902667	5' Rear Discharge Deck
	902668	6' Rear Discharge Deck
	902669	7' Rear Discharge Deck
2	81593	3/8" Lock Washer (pl)
3	81592	3/8" Hex Nut (pl)
4	86171	3/8" x 1-1/4" Hex Bolt (pl)
5	912301558	Snap Ring
6	906339	Spindle Assembly (4',5' & 6') (Complete w/ Hardware)
	966860	Spindle Assembly (7') (Complete w/ Hardware)
7	903798	17-3/4" Blade (4')
	966273	21-3/4" Blade (5')
	966274	25-3/4" Blade (6')
	966167	29-3/4" Blade (7')
8	966188	2-1/2" O.D. x 21/32" I.D. Washer (pl) (Supplied w/ Spindle)
9	966190	5/8" Lock Washer Extra Heavy (pl) (Supplied w/ Spindle)
10	966189	5/8" x 1" Gr. 8 Hex Bolt Lock (pl) (Supplied w/ Spindle)

Shipping Kit and Bundle Numbers

The following is a list of Kit Numbers for this product and the Bundle Numbers, Descriptions, and Quantities for each Kit.

Quantity	Bundle Number	Description
YT450		
2	F6613	15" Wheel & Tire
1	F0708	Hitch Assembly
1	F0901	Crate of Parts
Y450TL		
1	F450TL	4' L.H. Mower
Y450TC		
1	F450TC	4' Center Mower
Y450TR		
1	F450TR	4' R.H. Mower
YT550		
2	F6613	15" Wheel & Tire
1	F0709	Hitch Assembly
1	F0902	Crate of Parts
Y550TL		
1	F550TL	5' L.H. Mower
Y550TC		
1	F550TC	5' Center Mower
Y550TR		
1	F550TR	5' R.H. Mower
YT650		
2	F6613	15" Wheel & Tire
1	F0710	Hitch Assembly
1	F0903	Crate of Parts

Quantity	Bundle Number	Description
Y650TL		
1	F650TL	6' L.H. Mower
Y650TC		
1	F650TC	6' Center Mower
Y650TR		
1	F650TR	6' R.H. Mower
YT750		
2	F6613	15" Wheel & Tire
1	F0711	Hitch Assembly
1	F0904	Crate of Parts
Y750TL		
1	F750TL	7' L.H. Mower
Y750TC		
1	F750TC	7' Center Mower
Y750TR		
1	F750TR	7' R.H. Mower

Optional Bundle Numbers

The following is a list of options available for the Kits listed above.

Y410		
1	F0041	4' Plate & Rod Chain Kit
1	F0040	Crate of Parts

Y510		
1	F6670	5' Plate & Rod Chain Kit
1	F6673	Carton of Parts

Y610		
1	F6671	6' Plate & Rod Chain Kit
1	F6674	Carton of Parts

Y710		
1	F6672	7' Plate & Rod Chain Kit
1	F6675	Carton of Parts

1	F0022	2-5/16" Ball Hitch Assembly
1	Y0028	Triplex Light Kit
1	F9117	Hydraulic Lift Kit

Allied by Farm King Limited Warranty

This document limits your warranty rights.

Base Limited Warranty

Buhler Industries Inc. provides this warranty only to original retail purchasers of its product. Buhler Industries Inc. warrants to such purchasers that all Buhler Industries Inc. manufactured parts and components used and serviced as provided for in the Operator's Manual shall be free from defects in materials and workmanship for a period following delivery to the original retail purchaser of 12 months (80 days for commercial applications). This limited warranty applies only to those parts and components manufactured by Buhler Industries Inc. Parts and components manufactured by others are subject to their manufacturer's warranties, if any.

Buhler Industries Inc. will fulfill this limited warranty by, at its option, repairing or replacing any covered part that is defective or is the result of improper workmanship, provided that the part is returned to Buhler Industries Inc. within thirty (30) days of the date that such defect or improper workmanship is, or should have been, discovered. Buhler Industries Inc. reserves the right to either inspect the product at the buyer's location or have it returned to the factory for inspection. Parts must be returned through the selling representative and the buyer must prepay transportation charges.

Buhler Industries Inc. will not be responsible for repairs or replacements that are necessitated, in whole or part, by the use of parts not manufactured by or obtained from Buhler Industries Inc. Under no circumstances are component parts warranted against normal wear and tear. There is no warranty on product pump seals, product pump bearings, rubber product hoses, pressure gauges, or other components that require replacement as part of normal maintenance. Also: Buckets and Bucket Tines carry no warranty, Bent Spears carry no warranty, Snowblower Fan Shafts carry no warranty, Mower Blades carry no warranty, Portable Auger Parts Have Two (2) Year Warranty, Loader Parts Have Two (2) Year Warranty. The purchaser is solely responsible for determining suitability of goods sold. This warranty is expressly in lieu of all other warranties expressed or implied. Buhler Industries Inc. will in no event be liable for any incidental or consequential damages whatsoever. Nor for any sum in excess of the price received for the goods for which liability is claimed.

Repair Parts Limited Warranty

Buhler Industries Inc. warrants Farm King replacement parts purchased after the expiration of the Buhler Industries Inc. Limited Warranty, and used and serviced as provided for in the Operator's Manual, to be free from defects in materials or workmanship for a period of thirty (30) days from the invoice date for the parts. Buhler Industries Inc. will fulfill this limited warranty by, at its option, repairing or replacing any covered part that is defective or is the result of improper workmanship, provided that the part is returned to Buhler Industries Inc. within thirty (30) days of the date that such defect or improper workmanship is, or should have been, discovered. Such parts must be shipped to Buhler Industries Inc. at the purchaser's expense.

What is Not Covered

Under no circumstances does this limited warranty cover any components or parts that have been subject to the following: negligence; alteration or modification not approved by Buhler Industries Inc.; misuse; improper storage; lack of reasonable and proper maintenance, service, or repair; normal wear; damage from failure to follow operating instructions; accident; and/or repairs that have been made with parts other than those manufactured, supplied, and or authorized by Buhler Industries Inc.

Authorized Dealer and Labor Costs

Repairs eligible for labor under this limited warranty must be made by Buhler Industries Inc. or an authorized Farm King dealer. Buhler Industries Inc. retains the exclusive discretion to determine whether it will pay labor costs for warranty repairs or replacements, and the amount of such costs that it will pay and the time in which the repairs will be made. If Buhler Industries Inc. determines that it will pay labor costs for warranty work, it will do so by issuing a credit to the dealer's or distributor's account. Buhler Industries Inc. will not approve or pay invoices sent for repairs that Buhler Industries Inc. has not previously approved. Warranty service does not extend the original term of this limited warranty.

Warranty Requirements

To be covered by warranty, each Farm King new product must be registered with Buhler Industries Inc. within thirty (30) days of delivery to original retail purchaser. If the customer decides to purchase replacement components before the warranty disposition of such components is determined, Buhler Industries Inc. will bill the customer for such components and then credit the replacement invoice for those components later determined to be covered by this limited warranty. Any such replacement components that are determined not be covered by this limited warranty will be subject to the terms of the invoice and shall be paid for by the purchaser.

Warranty Claims:

Warranty requests must be prepared on Buhler Industries Inc. Warranty Claim Forms with all requested information properly completed. Warranty Claims must be submitted within a thirty (30) day period from date of failure repair.

Warranty Labor:

Any labor subject to warranty must be authorized by Buhler Industries Inc. The labor rate for replacing defective parts, where applicable, will be credited at 100% of the dealer's posted shop rate.

Exclusive Effect of Warranty and Limitation of Liability

TO THE EXTENT PERMITTED BY LAW, BUHLER INDUSTRIES INC. DISCLAIMS ANY WARRANTIES, REPRESENTATIONS, OR PROMISES, EXPRESS OR IMPLIED, AS TO THE QUALITY, PERFORMANCE, OR FREEDOM FROM DEFECT OF THE COMPONENTS AND PARTS COVERED BY THIS WARRANTY AND NOT SPECIFICALLY PROVIDED FOR HEREIN.

TO THE EXTENT PERMITTED BY LAW, BUHLER INDUSTRIES INC. DISCLAIMS ANY IMPLIED WARRANTIES OF MERCHANTABILITY AND FITNESS FOR A PARTICULAR PURPOSE ON ITS PRODUCTS COVERED HEREIN, AND DISCLAIMS ANY RELIANCE BY THE PURCHASER ON BUHLER INDUSTRIES INC.'S SKILL OR JUDGMENT TO SELECT OR FURNISH GOODS FOR ANY PARTICULAR PURPOSE. THE PURCHASER'S ONLY AND EXCLUSIVE REMEDIES IN CONNECTION WITH THE BREACH OR PERFORMANCE OF ANY WARRANTY ON PRODUCTS MANUFACTURED BY BUHLER INDUSTRIES INC. ARE THOSE SET FORTH HEREIN. IN NO EVENT SHALL BUHLER INDUSTRIES INC. BE LIABLE FOR INCIDENTAL OR CONSEQUENTIAL DAMAGES (INCLUDING, BY WAY OF EXAMPLE ONLY AND NOT LIMITATION, LOSS OF CROPS, LOSS OF PROFITS OR REVENUE, OTHER COMMERCIAL LOSSES, INCONVENIENCE, OR COST OF REPLACEMENT OF RENTAL EQUIPMENT). IN NO EVENT SHALL FARM KING'S CONTRACT OR WARRANTY LIABILITY EXCEED THE PURCHASE PRICE OF THE PRODUCT.

(Note that some provinces or states do not allow limitations on how long an implied warranty lasts or the exclusion or limitation of incidental or consequential damages, so the above limitations and exclusion may not apply to you.) This warranty gives you specific legal rights and you may also have other rights, which vary from province to province or state to state.

Buhler Industries Inc. neither assumes nor authorizes any person or entity, including its selling representatives, to assume any other obligations or liability in connections with the sale of covered equipment, or to make any other warranties, representations, or promises, express or implied, as to the quality, performance, or freedom from defect of the components and parts covered herein. No one is authorized to alter, modify, or enlarge this limited warranty, or its exclusions, limitations and reservations.

Corrections of defects and improper workmanship in the manner, and for the applicable time periods, provided for herein shall constitute fulfillment of all responsibilities of Buhler Industries Inc. to the purchaser, and Buhler Industries Inc. shall not be liable in negligence, contract, or on any other basis with respect to the subject equipment.

This limited warranty is subject to any existing conditions of supply which may directly affect Buhler Industries Inc.'s ability to obtain materials or manufacture replacement parts.

Buhler Industries Inc. reserves the right to make improvements in design or changes in specifications to its products at anytime, without incurring any obligation to owners of units previously sold.

Government Legislation:

Warranty terms and conditions are subject to provincial or state legislation.

Important Note: This warranty does not apply to rentals.

www.farm-king.com



301 Mountain Street South
Morden, Manitoba Canada R6M 1X7
Ph.: 204.822.4467 | Fax: 204.822.6348
Toll Free: 888.524.1004
E-mail: info@buhler.com
www.farm-king.com

Equipment shown is subject to change without notice.
©2010 Buhler Trading Inc. Printed in USA. TSX:BUI

bühler | a division of Buhler Industries Inc.