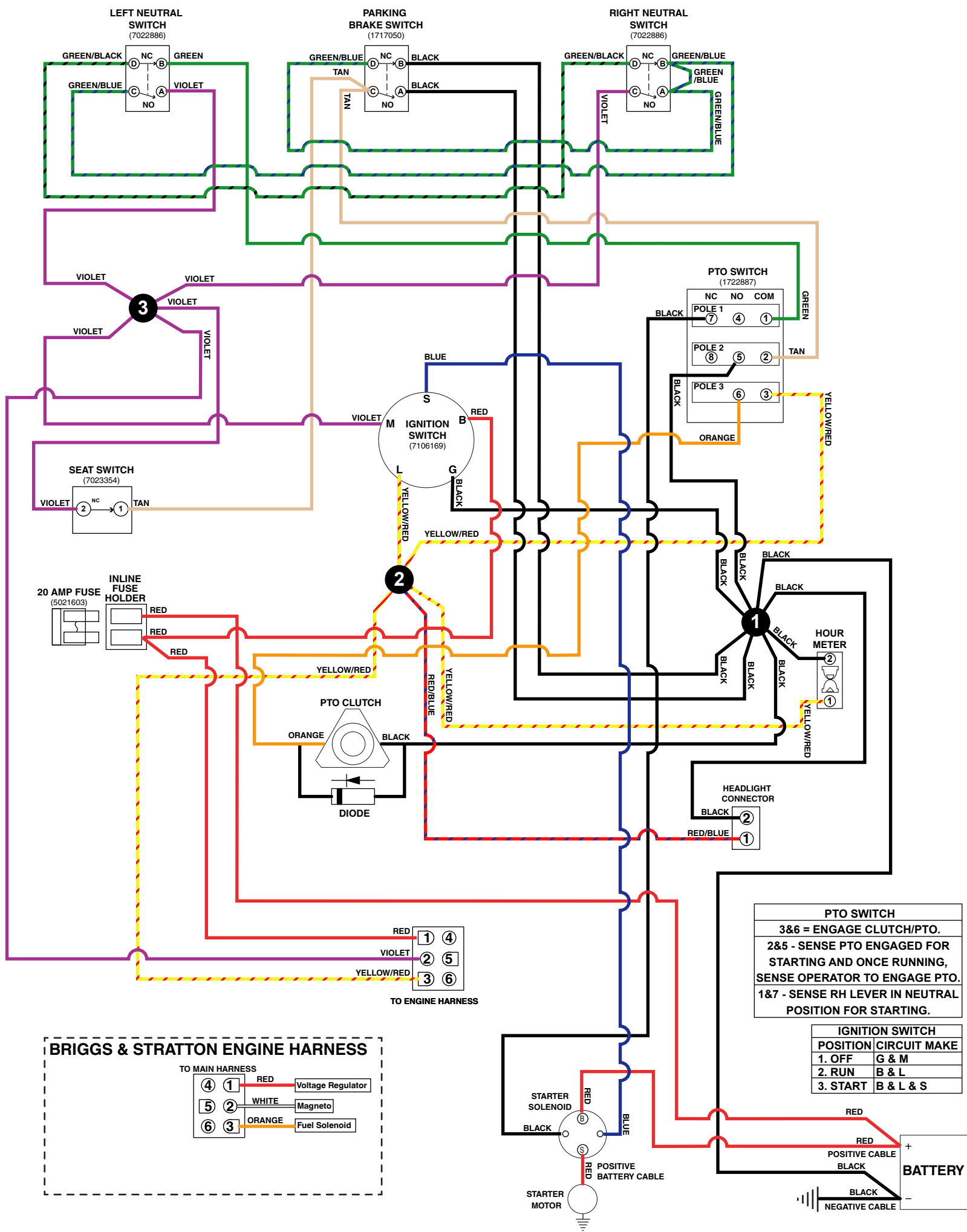


80097605 MAIN WIRE HARNESS - BRIGGS & STRATTON 44C777 ENGINES

(If internal schematic of the switch is not shown, the image of the switch represents the back view of the connector as it is connected to the switch.)

80097605A



PTO SWITCH
1722887

NC	NO	COM
POLE 1	7	4
POLE 2	8	5
POLE 3	6	3

3&6 = ENGAGE CLUTCH/PTO.
2&5 - SENSE PTO ENGAGED FOR STARTING AND ONCE RUNNING, SENSE OPERATOR TO ENGAGE PTO.
1&7 - SENSE RH LEVER IN NEUTRAL POSITION FOR STARTING.

IGNITION SWITCH
7106169

POSITION	CIRCUIT MAKE
1. OFF	G & M
2. RUN	B & L
3. START	B & L & S

