

Rotary Cutters Single Deck

RCR12 Series

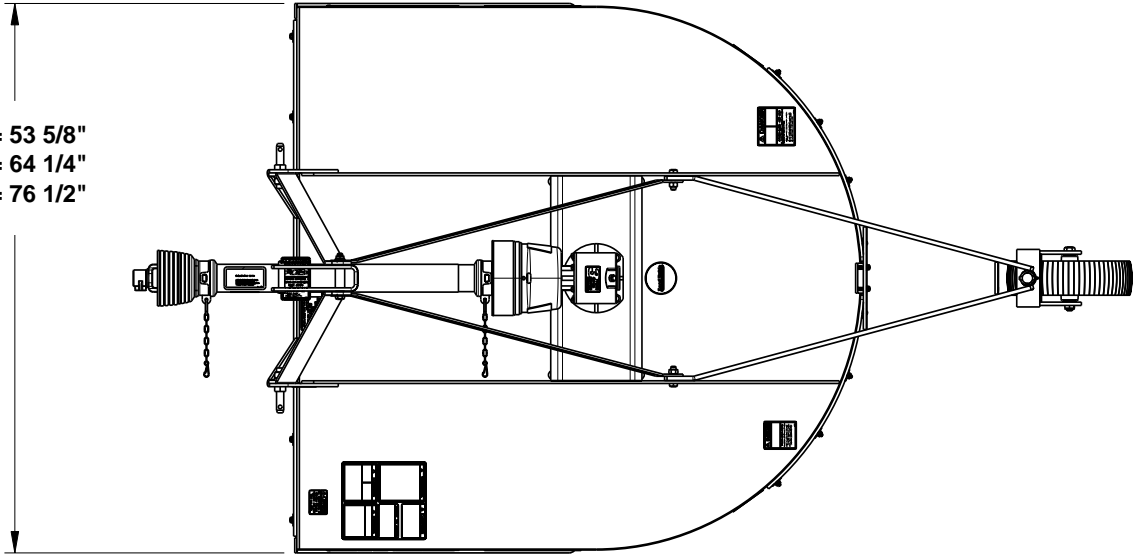
	RCR1248	RCR1260	RCR1272
Machine Weight (With front & rear guard, shear bolt driveline & laminated tire)	400 lbs.	478 lbs.	564 lbs.
Hitch	Category I & Category 1 limited (Quick Hitch Adapted)		
Cutting Width	48"	60"	72"
Overall Width	53 5/8"	64 1/4"	76 1/2"
Overall Length (Including Tailwheel)	89 1/8"	103 3/8"	114 1/2"
Deck Height	7 1/4"		
Cutting Height	1 1/4" - 10"		
Cutting Capacity	Grass, weeds & light brush		
Recommended Tractor HP	20-50 HP		25 -50 HP
PTO Speed	540 RPM		
Gearbox Rating HP	50 HP		
Gearbox (Speed up beveled gears)	1:1.93 Speed-up Cast Iron Housing		1:1.47 Speed-up Cast Iron Housing
Gearbox Lubrication & Capacity	1.1 Pint of Gear Lube 80-90W EP		
Deck Construction	1 Piece reinforced deck		2 Piece reinforced deck
Deck Material Thickness	12 Gauge		
Skids	12 Gauge (Formed in deck)	1/4" (Welded on deck)	
Skid Shoes	Not Available	Bolt-on replaceable skid shoes (Sold separately through Parts Department only)	
Stump Jumper	Round Pan 10 ga. x 24"		
Blades (2)	1/2" x 3" Heat Treated Alloy Steel Free-Swinging Blades		
Blade Bolts	Keyed with Harden Flat Washer and Lock Nut		
Blade Tip Speed	13,256 fpm	16,536 fpm	15,033 fpm
Driveline	ASAE Category 3		
Driveline Protection Options	1/2" Center Shearbolt protection or Center Bolt 2 plate Slip Clutch		
Tailwheel	4" x 8" Laminated tire and yoke		
Safety Guards	Rubber (standard front and rear)		

Designs, specifications, features and information are subject to change without notice.

Specifications & Capacities

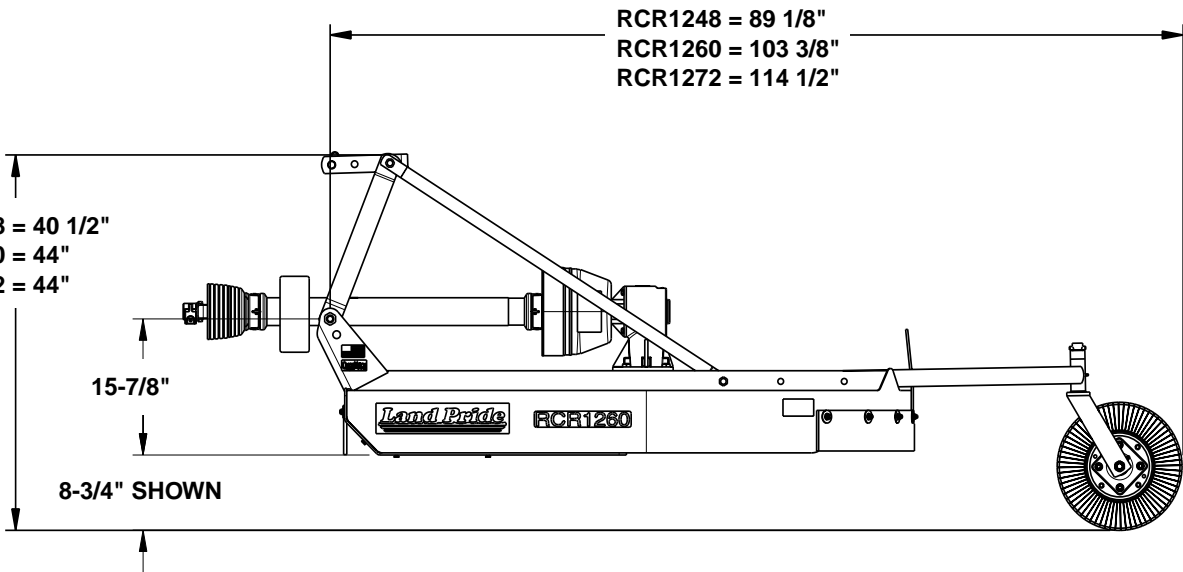
Rotary Cutters Single Deck

RCR1248 = 53 5/8"
 RCR1260 = 64 1/4"
 RCR1272 = 76 1/2"



RCR1248 = 89 1/8"
 RCR1260 = 103 3/8"
 RCR1272 = 114 1/2"

RCR1248 = 40 1/2"
 RCR1260 = 44"
 RCR1272 = 44"



15-7/8"

8-3/4" SHOWN

30320

Designs, specifications, features and information are subject to change without notice.