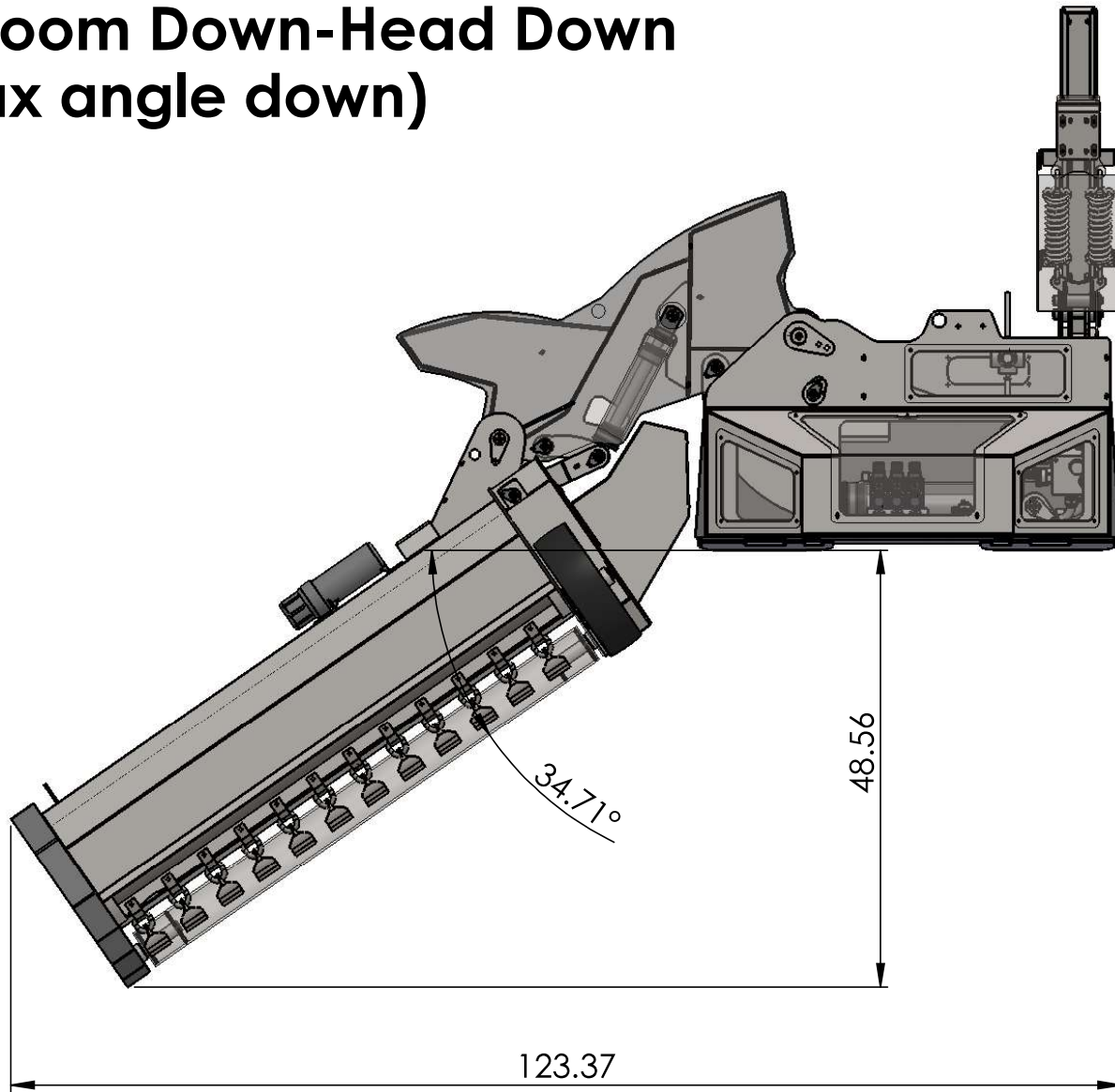


SWA550-Boom Down-Head Down (Max angle down)



PROPRIETARY AND CONFIDENTIAL
THE INFORMATION CONTAINED IN THIS DRAWING IS THE SOLE PROPERTY OF BAUMALIGHT. ANY REPRODUCTION IN PART OR AS A WHOLE WITHOUT THE WRITTEN PERMISSION OF BAUMALIGHT IS PROHIBITED.



Description

Boom Mower - Skidsteer

Weight
lbs.

DATE
23-07-2019

DWG. NO.

REV
A

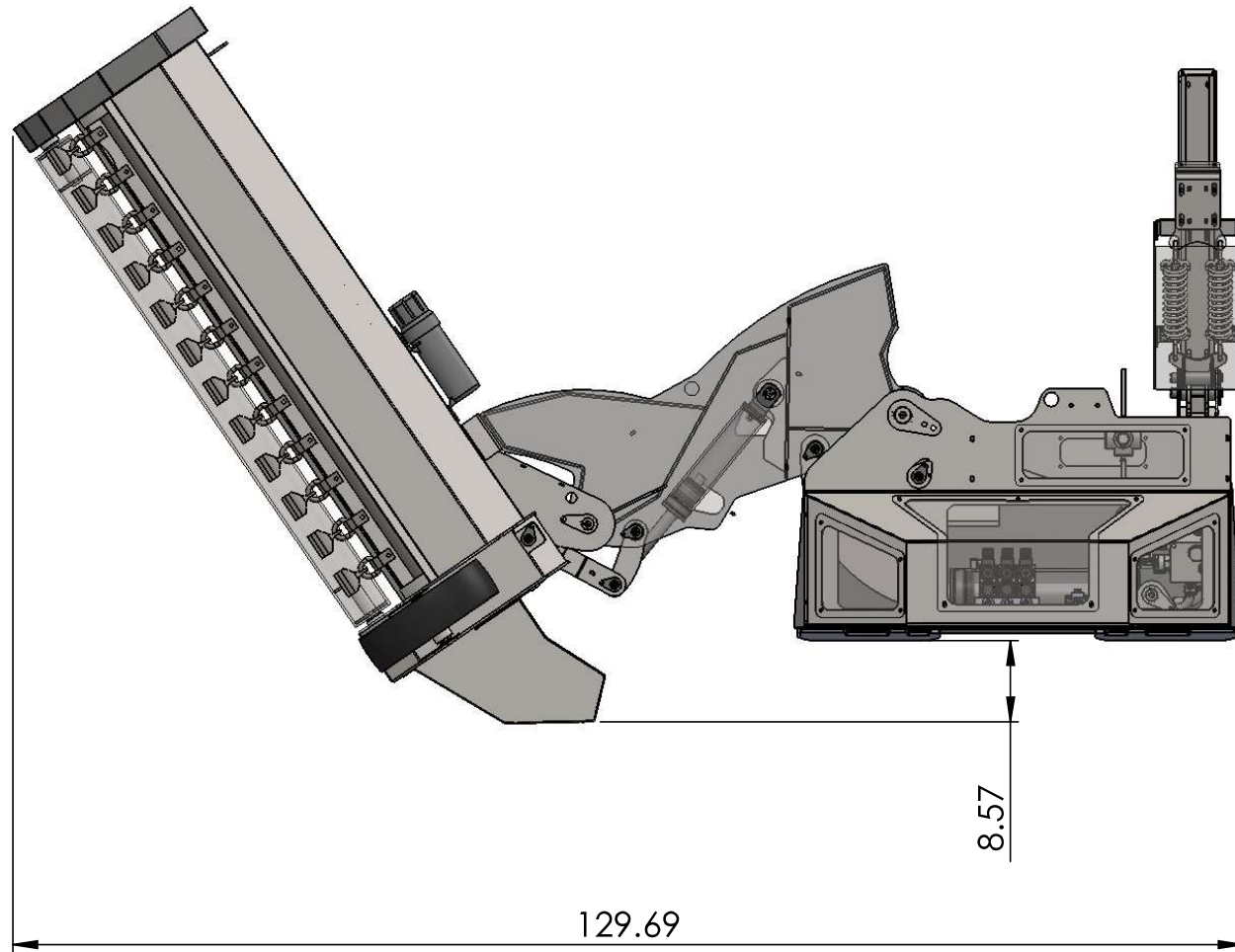
DO NOT SCALE DRAWING

SCALE: 1:20

SHEET 1 OF 8

SWA550

SWA550-Boom Down-Head Up



PROPRIETARY AND CONFIDENTIAL
 THE INFORMATION CONTAINED IN THIS DRAWING IS THE SOLE PROPERTY OF BAUMALIGHT. ANY REPRODUCTION IN PART OR AS A WHOLE WITHOUT THE WRITTEN PERMISSION OF BAUMALIGHT IS PROHIBITED.



Description

Boom Mower - Skidsteer

Weight
lbs.

DATE
23-07-2019

DWG. NO.

REV
A

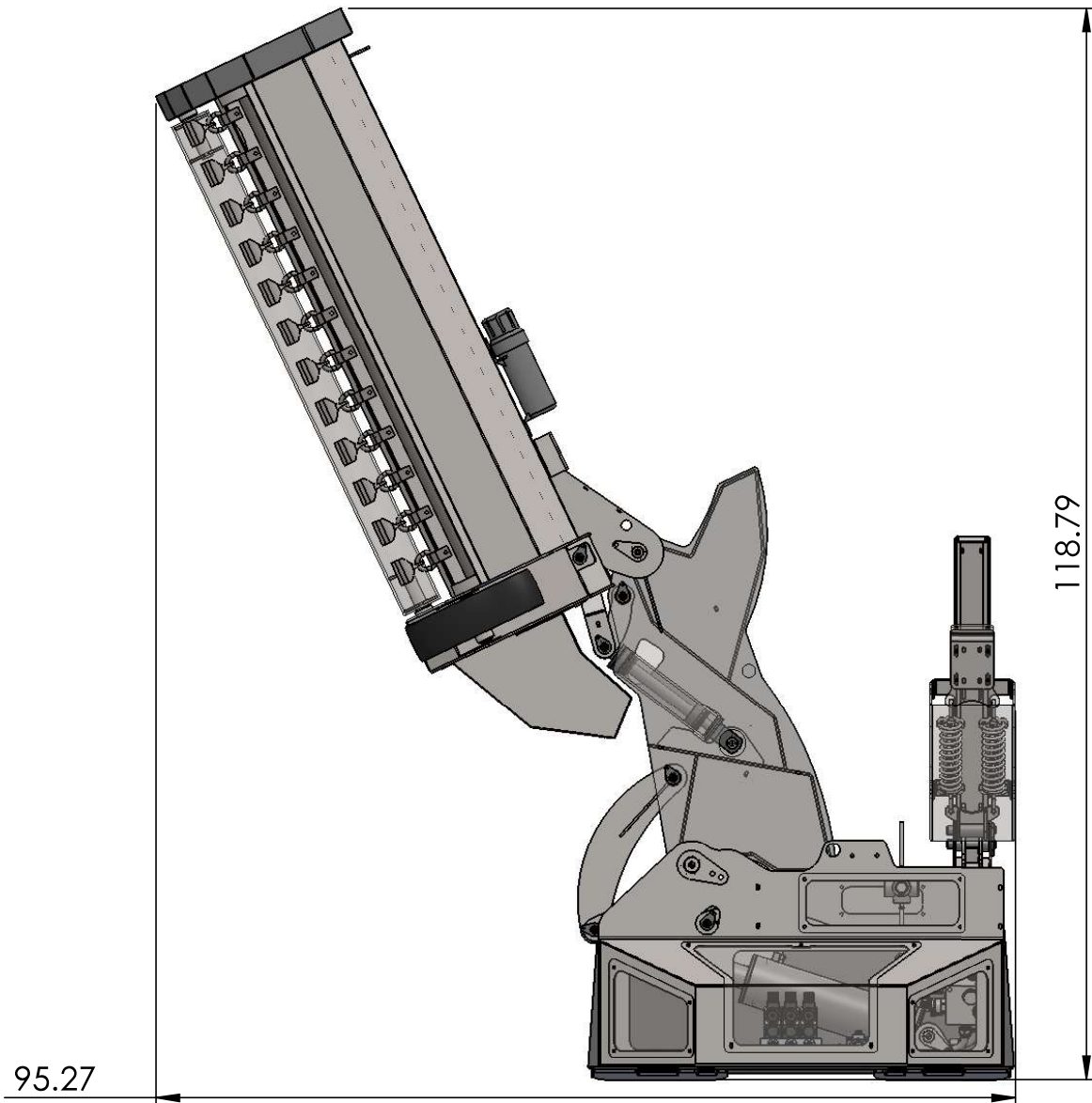
DO NOT SCALE DRAWING

SCALE: 1:20

SHEET 2 OF 8

SWA550

SWA550-Boom Up-Head Down



PROPRIETARY AND CONFIDENTIAL
 THE INFORMATION CONTAINED IN THIS DRAWING IS THE SOLE PROPERTY OF BAUMALIGHT. ANY REPRODUCTION IN PART OR AS A WHOLE WITHOUT THE WRITTEN PERMISSION OF BAUMALIGHT IS PROHIBITED.



Description

Boom Mower - Skidsteer

Weight
lbs.

DATE

23-07-2019

DWG. NO.

SWA550

REV
A

DO NOT SCALE DRAWING

SCALE: 1:20

SHEET 3 OF 8

5

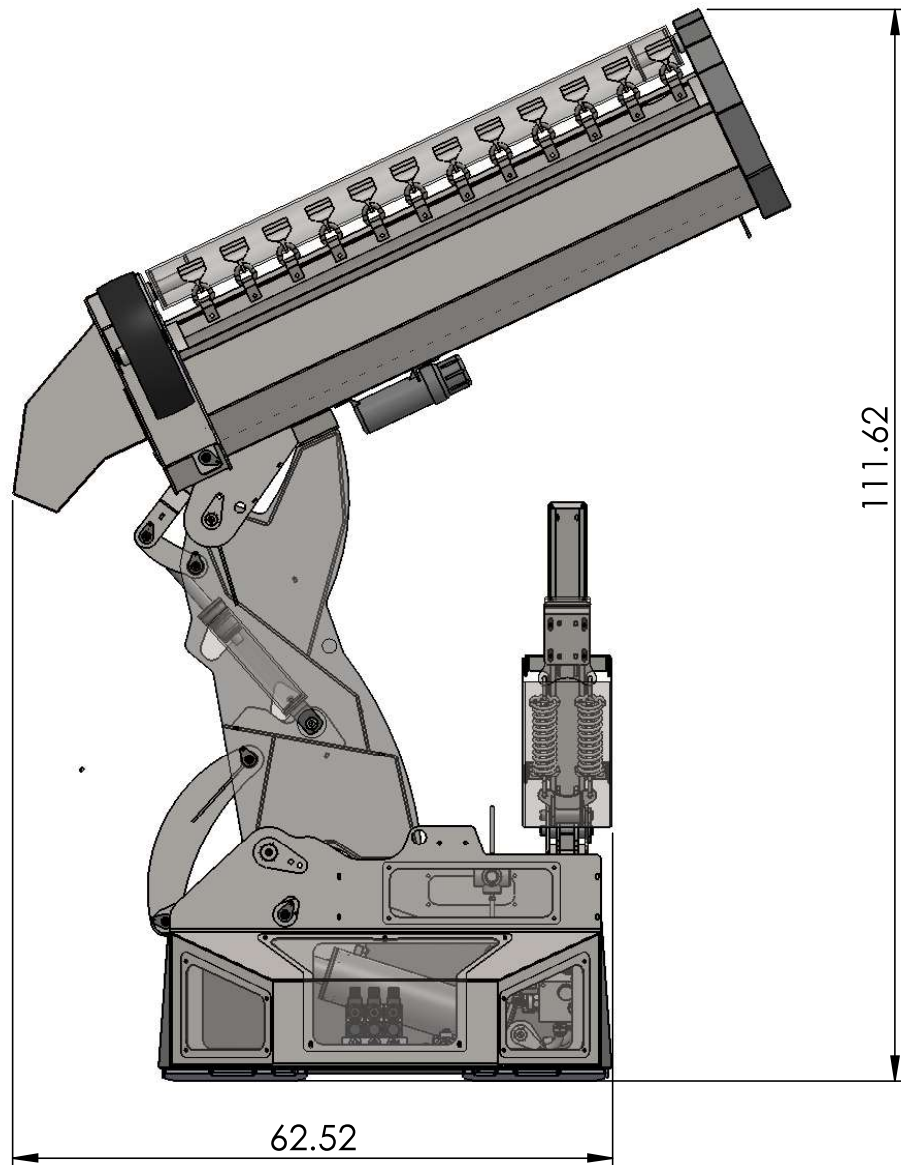
4

3

2

1

SWA550-Boom Up-Head Up (Folder up-in for travel)



PROPRIETARY AND CONFIDENTIAL
THE INFORMATION CONTAINED IN THIS DRAWING IS THE SOLE PROPERTY OF BAUMALIGHT. ANY REPRODUCTION IN PART OR AS A WHOLE WITHOUT THE WRITTEN PERMISSION OF BAUMALIGHT IS PROHIBITED.



Description

Boom Mower - Skidsteer

Weight
lbs.

DATE

23-07-2019

DWG. NO.

REV
A

DO NOT SCALE DRAWING

SCALE: 1:20

SHEET 4 OF 8

SWA550

5

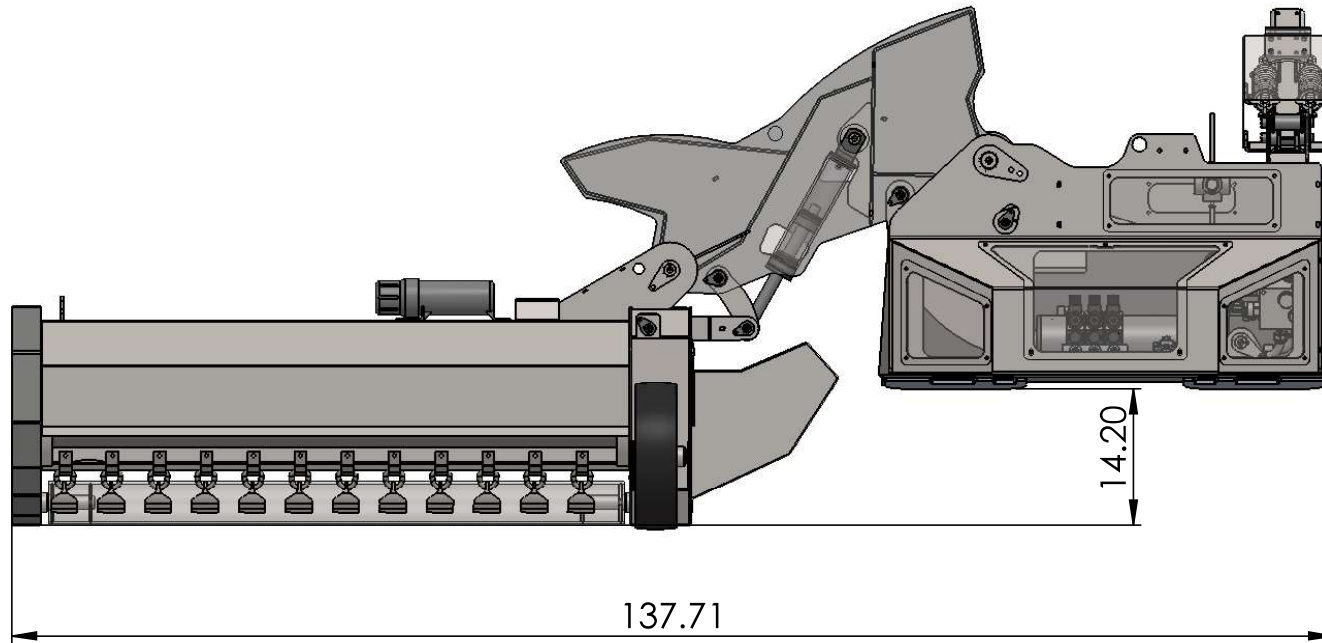
4

3

2

1

SWA550-Max reach in horizontal position.



PROPRIETARY AND CONFIDENTIAL
 THE INFORMATION CONTAINED IN THIS DRAWING IS THE SOLE PROPERTY OF BAUMALIGHT. ANY REPRODUCTION IN PART OR AS A WHOLE WITHOUT THE WRITTEN PERMISSION OF BAUMALIGHT IS PROHIBITED.



Description

Boom Mower - Skidsteer

Weight
lbs.

DATE
23-07-2019

DWG. NO.

REV
A

DO NOT SCALE DRAWING

SCALE: 1:20

SHEET 5 OF 8

SWA550

5

4

3

2

1