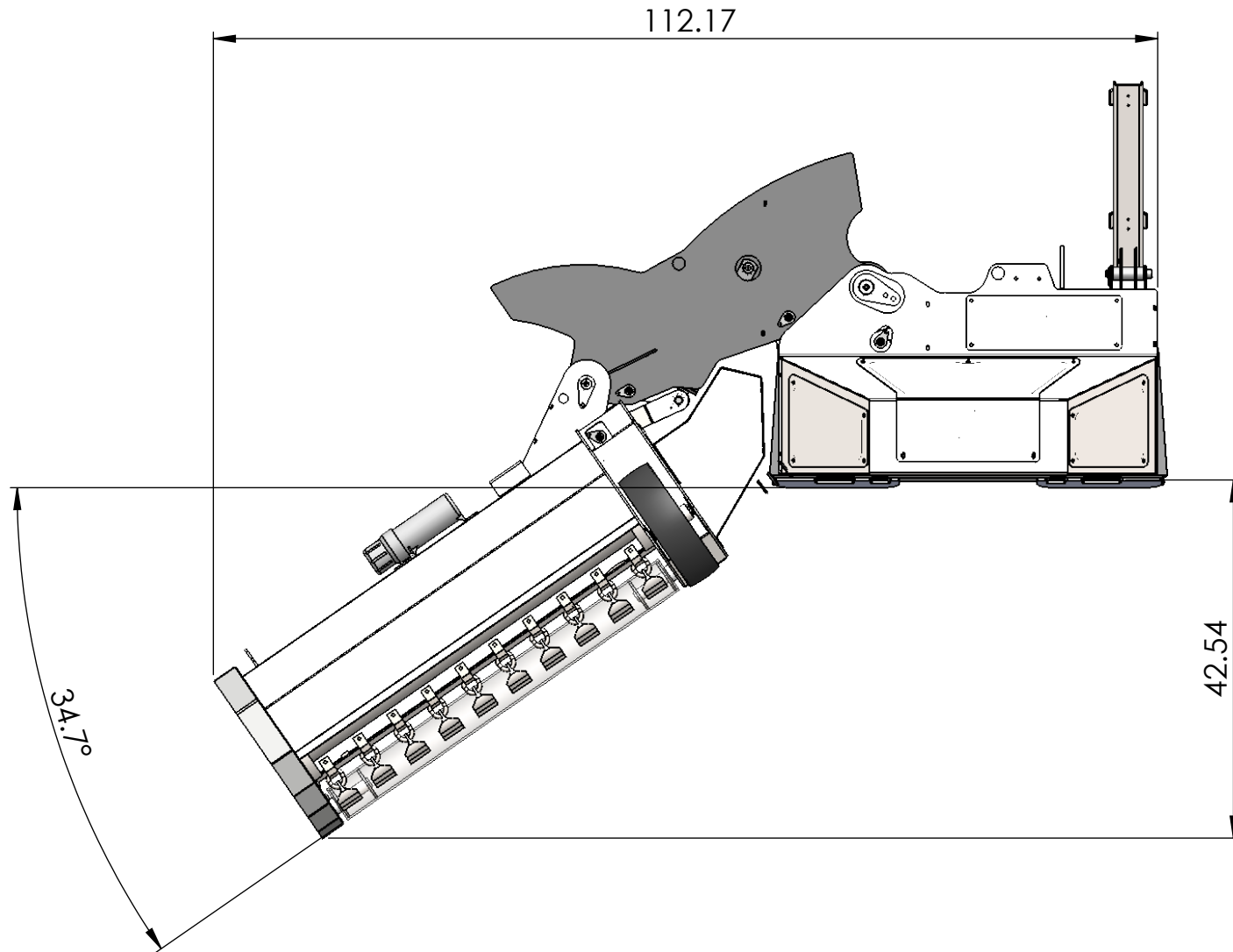


SWA540-Boom Down-Head Down



PROPRIETARY AND CONFIDENTIAL
 THE INFORMATION CONTAINED IN THIS DRAWING IS THE SOLE PROPERTY OF BAUMALIGHT. ANY REPRODUCTION IN PART OR AS A WHOLE WITHOUT THE WRITTEN PERMISSION OF BAUMALIGHT IS PROHIBITED.



Description

SWA540 SkidWing

Weight
lbs.

DATE
27-03-2019

DWG. NO.
SWA540

REV
A

DO NOT SCALE DRAWING

SCALE: 1:20 SHEET 1 OF 5

5

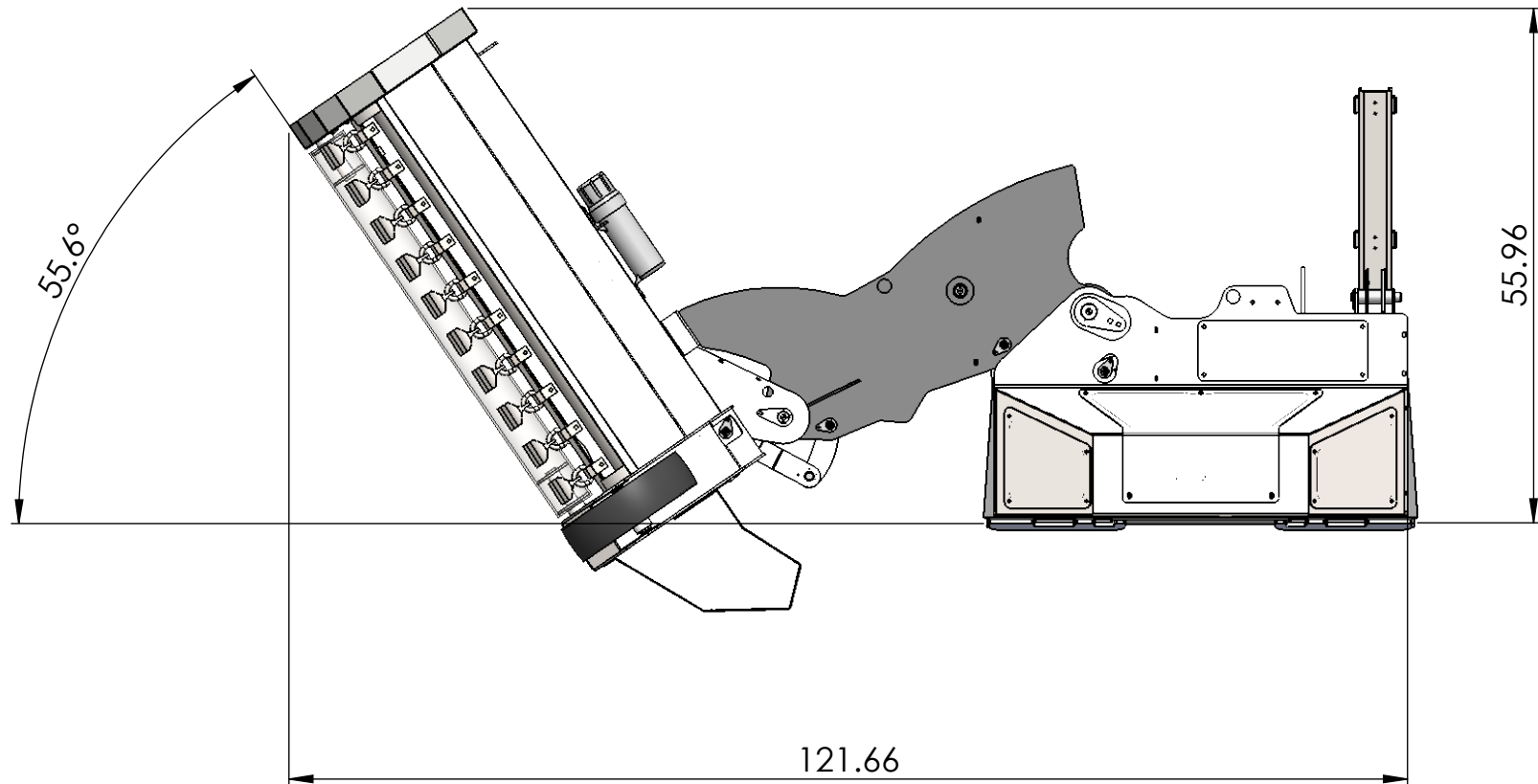
4

3

2

1

SWA540-Boom Down-Head Up



PROPRIETARY AND CONFIDENTIAL
 THE INFORMATION CONTAINED IN THIS DRAWING IS THE SOLE PROPERTY OF BAUMALIGHT. ANY REPRODUCTION IN PART OR AS A WHOLE WITHOUT THE WRITTEN PERMISSION OF BAUMALIGHT IS PROHIBITED.



Description

SWA540 SkidWing

Weight
lbs.

DATE
27-03-2019

DWG. NO.

REV
A

DO NOT SCALE DRAWING

SCALE: 1:20

SHEET 2 OF 5

SWA540

5

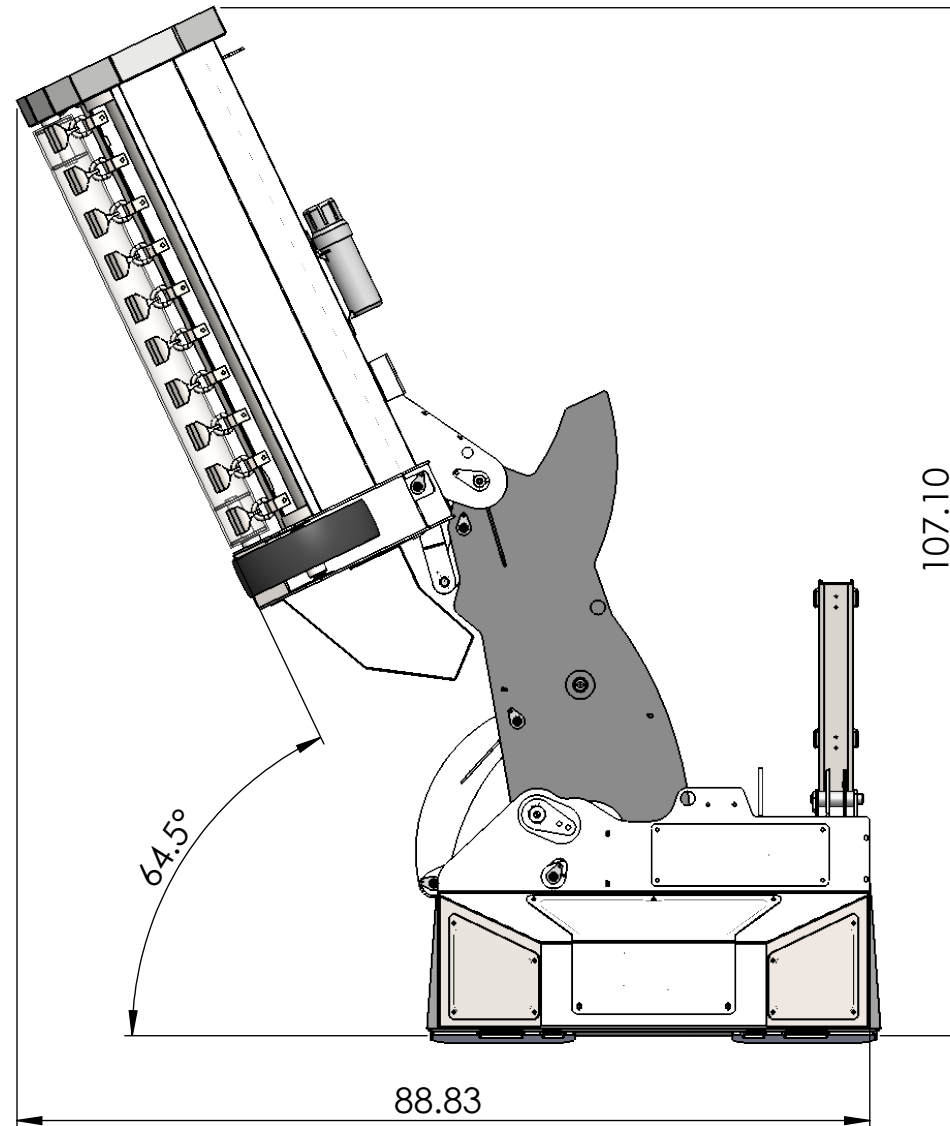
4

3

2

1

SWA540-Boom Up-Head Down



PROPRIETARY AND CONFIDENTIAL
 THE INFORMATION CONTAINED IN THIS DRAWING IS THE SOLE PROPERTY OF BAUMALIGHT. ANY REPRODUCTION IN PART OR AS A WHOLE WITHOUT THE WRITTEN PERMISSION OF BAUMALIGHT IS PROHIBITED.



Description

SWA540 SkidWing

Weight
lbs.

DATE
27-03-2019

DWG. NO.

REV

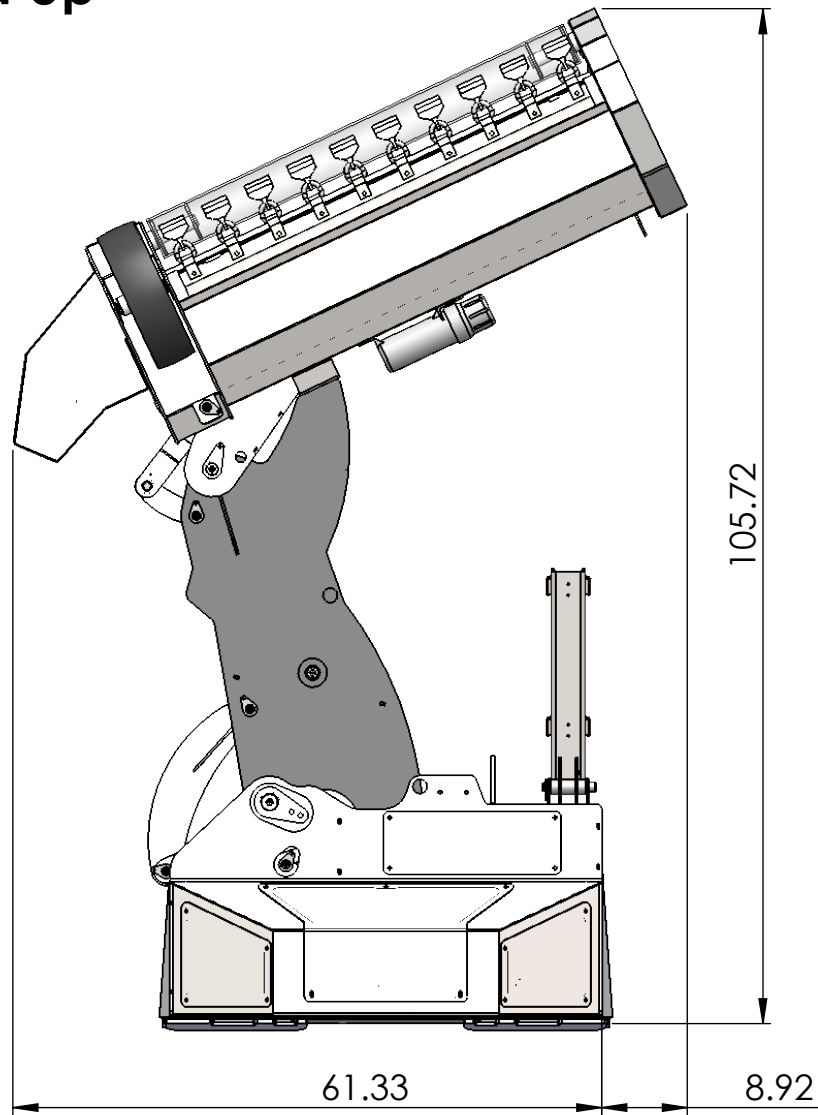
DO NOT SCALE DRAWING

SCALE: 1:20
SHEET 3 OF 5

SWA540

A

SWA540-Boom Up-Head Up



PROPRIETARY AND CONFIDENTIAL
 THE INFORMATION CONTAINED IN THIS DRAWING IS THE SOLE PROPERTY OF BAUMALIGHT. ANY REPRODUCTION IN PART OR AS A WHOLE WITHOUT THE WRITTEN PERMISSION OF BAUMALIGHT IS PROHIBITED.



Description

SWA540 SkidWing

Weight
lbs.

DATE

27-03-2019

DWG. NO.

REV

DO NOT SCALE DRAWING

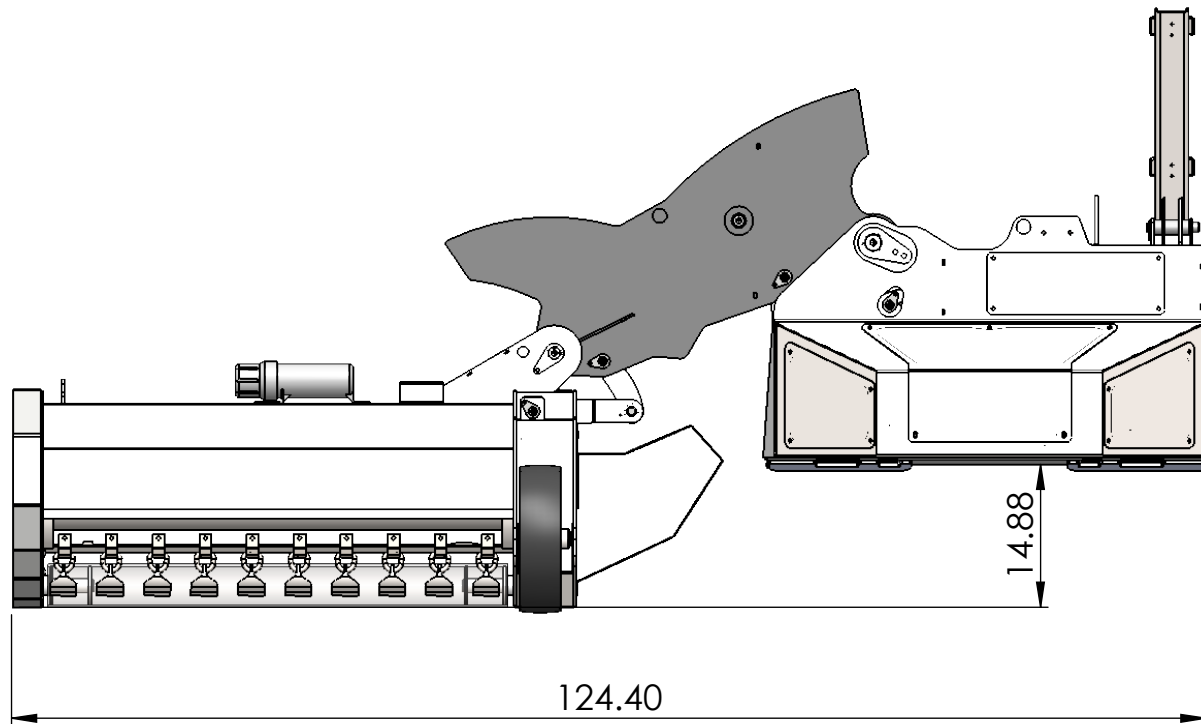
SCALE: 1:20

SHEET 4 OF 5

SWA540

A

SWA540-Max Reach Horizontal Position



PROPRIETARY AND CONFIDENTIAL
 THE INFORMATION CONTAINED IN THIS DRAWING IS THE SOLE PROPERTY OF BAUMALIGHT. ANY REPRODUCTION IN PART OR AS A WHOLE WITHOUT THE WRITTEN PERMISSION OF BAUMALIGHT IS PROHIBITED.



Description

SWA540 SkidWing

Weight
lbs.

DATE
27-03-2019

DWG. NO.

REV

DO NOT SCALE DRAWING

SCALE: 1:20

SHEET 5 OF 5

SWA540

A