



Doing Our Best to Provide You the Best

8E000037, Rev AG

7/17/18

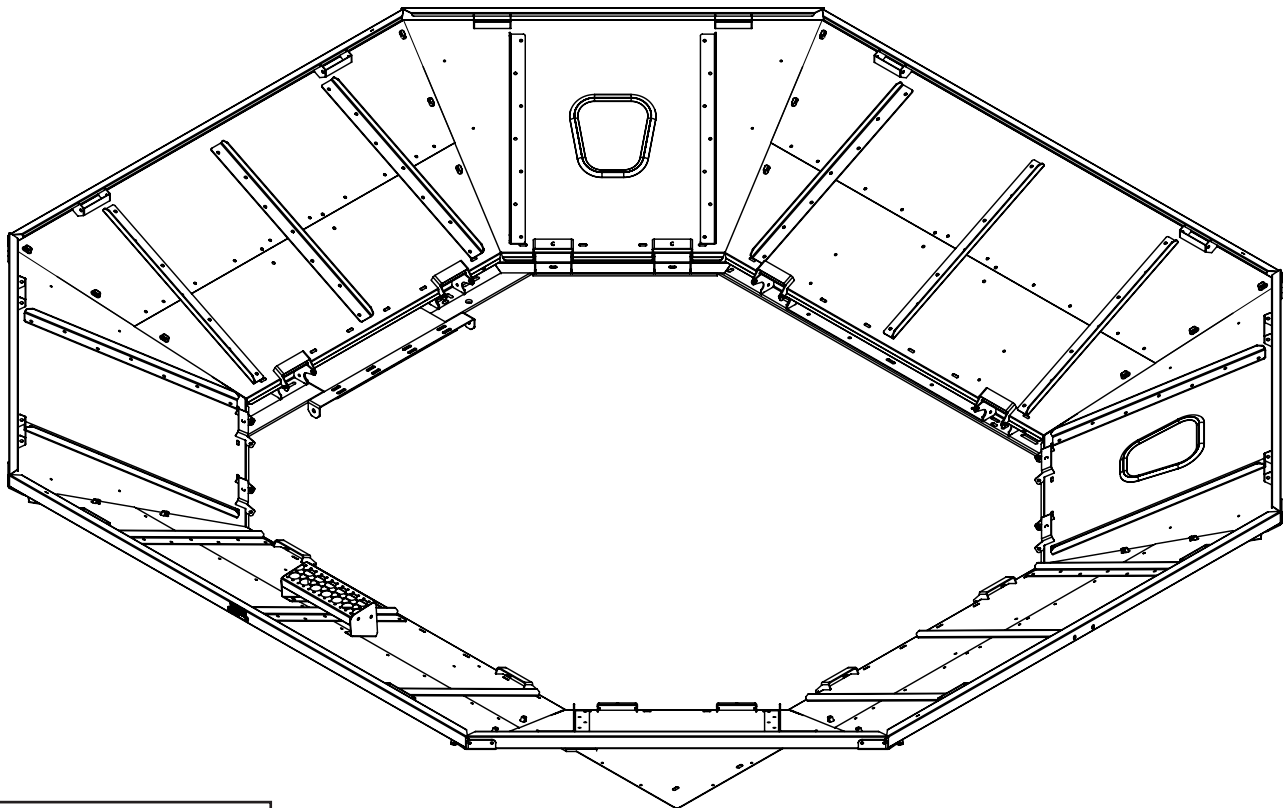
COMBINE GRAIN TANK EXTENSION

9E000042 - CIH XL Extension

FITS: CIH - 8010, 8120, 9120, 8230, 9230, 8240, 9240

CNH - CR8080, CR8090, CR9090, CR8.90, CR9.90

**PLACE IN COMBINE CAB AFTER ASSEMBLY
FOR FUTURE REFERENCE.**



**ASSEMBLY
OPERATION
REPLACEMENT PARTS**

OPERATOR MANUAL

INTRODUCTION

Thank you for purchasing a Demco grain tank extension. Proper care and use will result in many years of service.



WARNING: TO AVOID PERSONAL INJURY OR DEATH, OBSERVE THE FOLLOWING INSTRUCTIONS:

Ensure that anyone present is clear before applying power to any machinery used in conjunction with a Demco grain tank extension.

Never allow anyone in or near the grain tank of a combine during loading or unloading of grain. The accumulation of grain is dangerous and can cause entrapment, resulting in serious injury or death by suffocation.

Adding a Demco Bin Extension or Tip-Up increases the overall height of your combine. Use caution when operating around trees, buildings, power lines, and when approaching bridges and over passes. Pay attention to height restrictions.

Do not exceed advertised maximum capacity of a Demco grain tank extension.

GENERAL INFORMATION

1. Read assembly instructions carefully. Study assembly procedures and all illustrations before you begin assembly. Note which parts are used in each step. This unit must be assembled in proper sequence or complications will result.
2. When placing a parts order, refer to this manual for proper part numbers and place order by **PART NO.** and **DESCRIPTION.**
3. Whenever terms “**LEFT**” and “**RIGHT**” are used in this manual it means from a position behind combine and facing forward.

Table of Contents

General information.....	2
Safety, Signal Words.....	3
Product Safety Guidelines.....	4
Safety Sign Locations	5
Safety Sign Care	5
Product Disclaimer	5
Extension Breakdown	6
Extension Parts List	7
Plastic Frame Spacers	8
Frame Assembly	9
Mounting Plate & Brackets.....	10
Tank Cap Installation.....	11-12
Fastening Extension Frame	12
Corner Panel Installation.....	13
Side Panel Assembly & Installation.....	14-15
Step Installation.....	16
Completed Extension Assembly.....	16
Handrail Installation.....	17

SAFETY

TAKE NOTE! THIS SAFETY ALERT SYMBOL FOUND THROUGHOUT THIS MANUAL IS USED TO CALL YOUR ATTENTION TO INSTRUCTIONS INVOLVING YOUR PERSONAL SAFETY AND SAFETY OF OTHERS. FAILURE TO FOLLOW THESE INSTRUCTIONS CAN RESULT IN INJURY OR DEATH!



**THIS SYMBOL MEANS
ATTENTION
BECOME ALERT
YOUR SAFETY IS INVOLVED!**

SIGNAL WORDS

Note use of following signal words **DANGER**, **WARNING**, and **CAUTION** with safety messages. The appropriate signal word for each has been selected using the following guidelines:

DANGER: Indicates an imminently hazardous situation that, if not avoided, will result in death or serious injury. This signal word is to be limited to most extreme situations typically for machine components which, for functional purposes, cannot be guarded.

WARNING: Indicates a potentially hazardous situation that, if not avoided, could result in death or serious injury, and includes hazards that are exposed when guards are removed. It may also be used to alert against unsafe practices.

CAUTION: Indicates a potentially hazardous situation that, if not avoided, may result in minor or moderate injury. It may also be used to alert against unsafe practices.



EQUIPMENT SAFETY GUIDELINES

Every year many accidents occur which could have been avoided by a few seconds of thought and a more careful approach to handling equipment. You, the operator, can avoid many accidents by observing the following precautions in this section. To avoid personal injury, study the following precautions and insist those working with you, or you yourself, follow them.

Replace any caution, warning, danger or instruction safety decal that is not readable or is missing. Location of such decals is indicated in this booklet.

Review safety instructions with all users annually.

Operator should be a responsible adult. **DO NOT ALLOW PERSONS TO OPERATE OR ASSEMBLE THIS UNIT UNTIL THEY HAVE DEVELOPED A THOROUGH UNDERSTANDING OF SAFETY PRECAUTIONS AND HOW IT WORKS.**

Do not paint over, remove, or deface any safety signs or warning decals on your equipment. Observe all safety signs and practice instructions on them.

Never exceed limits of a piece of machinery. If it's ability to do a job, or to do so safely is in question **DON'T TRY IT.**

Adding a Demco Bin Extension or Tip-Up increases the overall height of your combine. Use caution when operating around trees, buildings, power lines, and when approaching bridges and over passes. Pay attention to height restrictions.

Fold and secure (if needed) the grain tank extension panels when transporting or hauling the combine to avoid contact with low power lines and other obstructions.

Use the panel safety step to safely enter and exit the grain tank.

Ensure that any additional bracing and safety equipment have been installed according to this manual. (Some models do not require additional bracing or safety equipment)

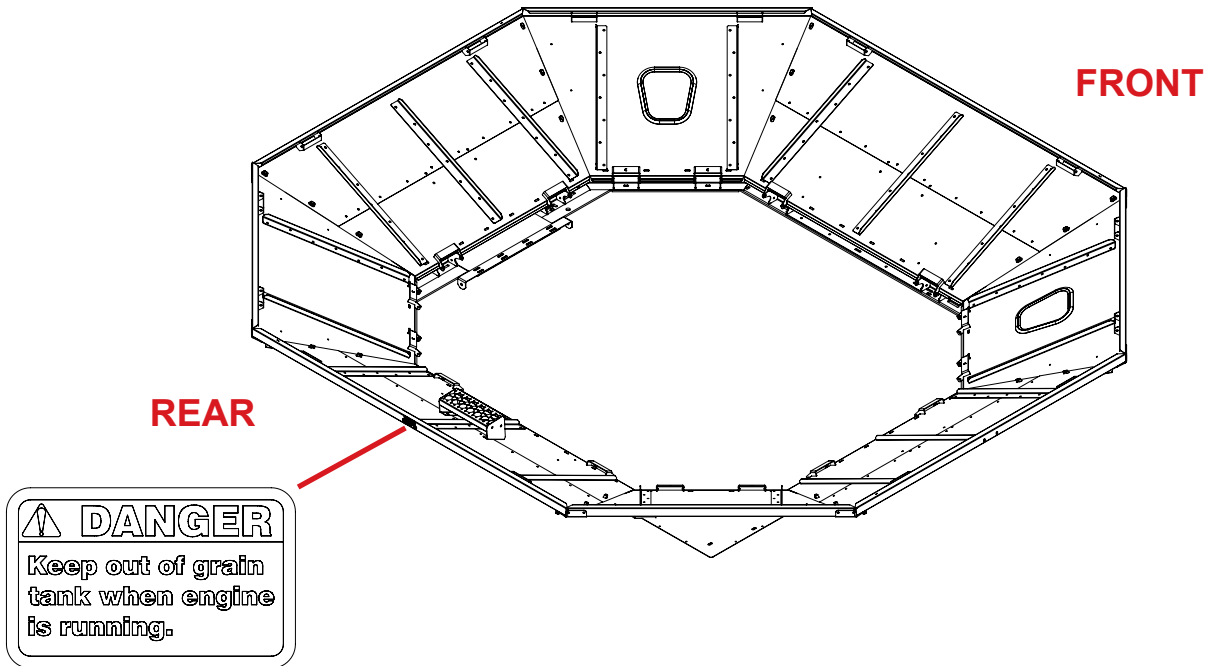
Ensure that the grain tank extension frame has been properly mounted to the combine according to this manual.

Never exceed the maximum advertised capacity of the grain tank extension. By doing so you risk damage to the grain tank extension.



SAFETY SIGN LOCATIONS

Types of safety sign and locations on equipment are shown in illustration below. Good safety requires that you familiarize yourself with various safety signs, type of warning, and area or particular function related to that area, that requires your SAFETY AWARENESS.



SAFETY SIGN CARE

- Keep safety signs clean and legible at all times.
- Replace safety signs that are missing or have become illegible.
- Replacement parts that displayed a safety sign should also display current sign.
- Safety signs are available from the Spencer plant.

PRODUCT DISCLAIMER

Increasing the grain tank capacity of any combine by use of this product is at the discretion of the owner. Increasing the grain holding capacity of any combine may affect the structural aspects of the combine as well as drive line components and tires. Although Demco has included additional support bracing on selected models, it does not assume liabilities, or make any warranties pertaining to the structural stability or performance of any combine. See the combine owners/operators manual for additional combine specifications and safety information not listed in this manual.

Grain Tank Extension Breakdown

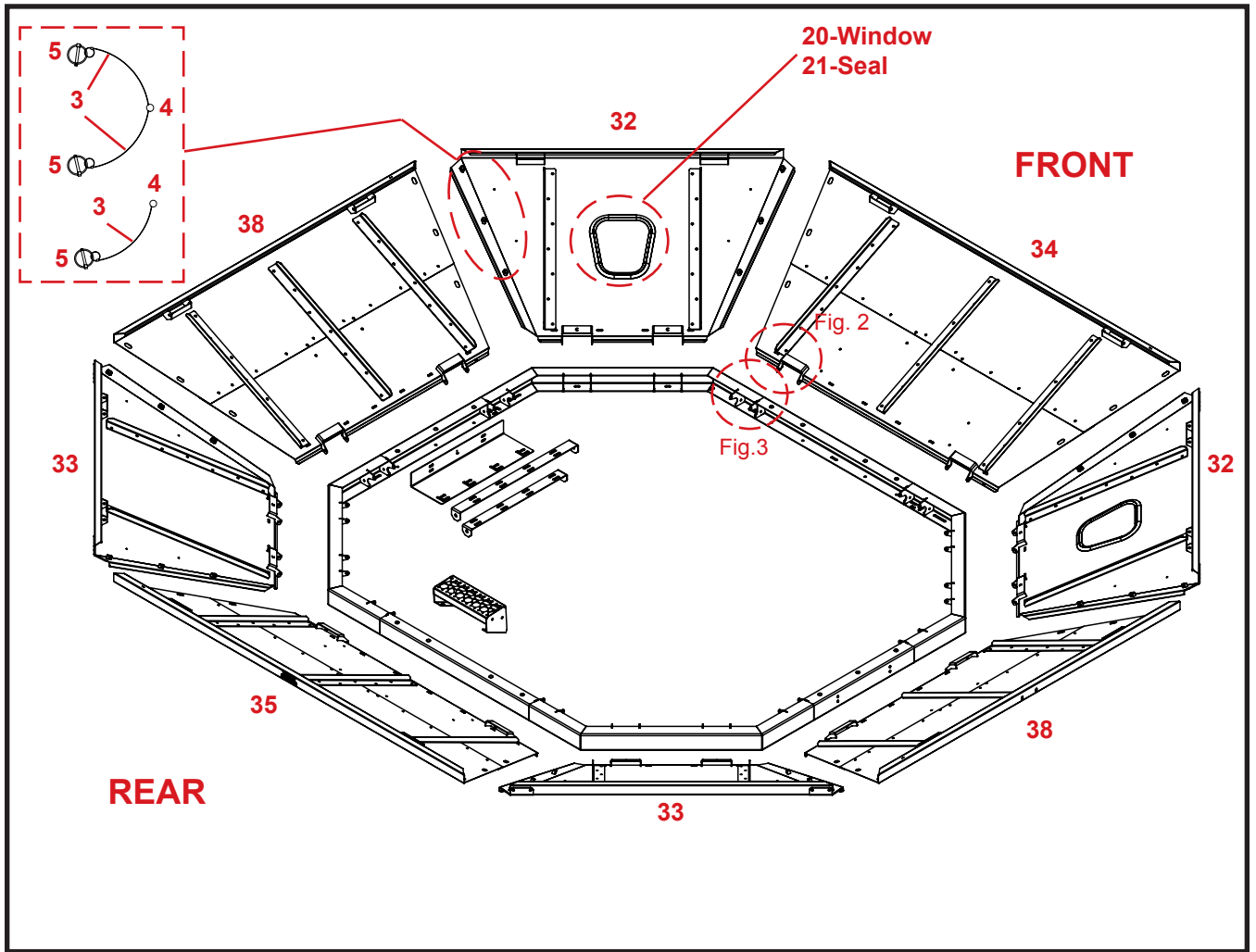


Figure 1

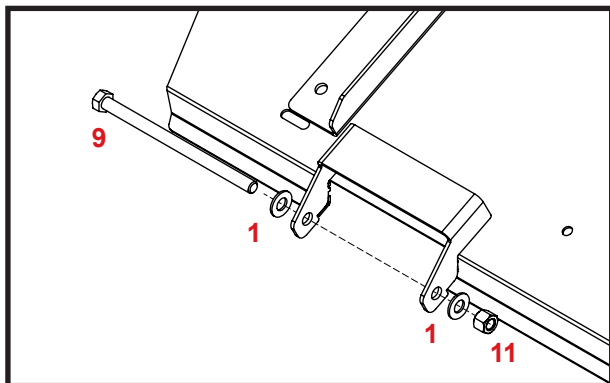


Figure 2

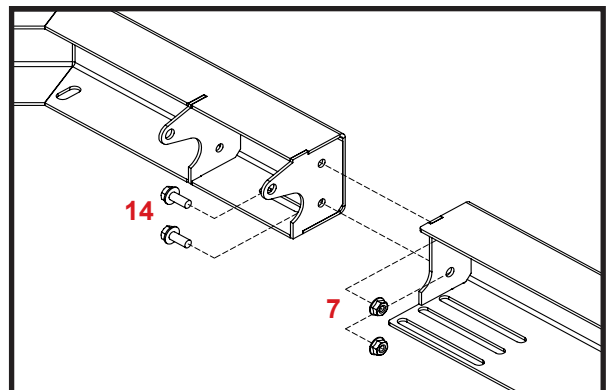


Figure 3

PARTS LIST

Please order replacement parts by **PART NO.** and **DESCRIPTION.**

REF.#	PART #	QTY.	DESCRIPTION
1.	1AF009F000C	32	3/8" Flat Washer
2.	1AF009H0000	4	1/2" Flat Washer
3.	1AF031DKA00	24	Nylon Lanyard
4.	1AF032D0000	16	Press Rivet
5.	1AF034DAAL0	24	1/4" x 1-3/4" Lynch Pin
6.	1AF055J0000	14	5/8" Plastic Plug
7.	1AFC08E0000	158	5/16" Flange Nut
8.	1AFC08F0000	8	3/8" Flange Nut
9.	1AFC12FFA05	16	3/8" x 6" Hex Bolt
10.	1AFC12HDA05	2	1/2" x 4" Hex Bolt
11.	1AFC18F0000	16	3/8" Nylon Lock Nut
12.	1AFC18H0000	2	1/2" Nylon Lock Nut
*13.	1AFC35CAA00	16	#12 Self Drilling Screw
14.	1AFC37E00L0	158	5/16" x 3/4" Flange Bolt
15.	1AFC37FAA05	8	3/8" x 1" Flange Bolt
16.	1AR00000009	1	Rear Plastic Frame Spacer
17.	1AR00000011	1	Front Plastic Frame Spacer
18.	1AR00000012	2	L & R Plastic Frame Spacer
19.	1AR00000079	4	Plastic Corner Spacer
20.	1AWALACKAMC	2	Window
21.	R3E000026L0	2	Window Seal
22.	R3E000094L0	1	Left Rear Tank Cap
23.	R3E000253L0	1	Left Mount Plate - CIHXL
24.	R3E000254L0	1	Left Mount Bracket 1 - CIHXL
25.	R3E000255L0	1	Left Mount Bracket 2 - CIHXL
26.	R3E000256L0	1	Right Front Tank Cap - CIHXL
27.	R3E000257L0	1	Left Front Tank Cap - CIHXL
28.	R3E000258L0	1	Right Rear Tank Cap - CIHXL
**29.	R5E0001__L0	1	CIHXL Handrail
30.	R5E000007L0	4	Frame Corner Assembly
31.	R5E000068L0	1	M120 Step
32.	R5E000135L0	2	Front Corner Panel Assembly
33.	R5E000136L0	2	Rear Corner Panel Assembly
34.	R5E000149L0	1	JDXL Side Panel Assembly
35.	R5E000150L0	1	JDXL Rear Panel Assembly
36.	R5E000154L0	2	F & B Frame Splice Assembly
37.	R5E000155L0	2	L & R Frame Splice Assembly
38.	R5E000159L0	2	CIHXL Side Panel Assembly

* Indicates items not shown in illustrations

** Indicates optional item (See pg.17)

Plastic Frame Spacers

Included in the Demco CIHXL (9E000042)

Bin Extension for the CIH 8230, 9230 & CNH CR8080, CR8090, CR9090, CX8090 combines

PARTS LIST

REF.#	PART #	QTY.	DESCRIPTION
16.	1AR00000009	1	Rear Plastic Frame Spacer
17.	1AR00000011	1	Front Plastic Frame Spacer
18.	1AR00000012	2	L & R Plastic Frame Spacer
19.	1AR00000079	4	Plastic Corner Spacer

Please order replacement parts by PART NO. and DESCRIPTION.

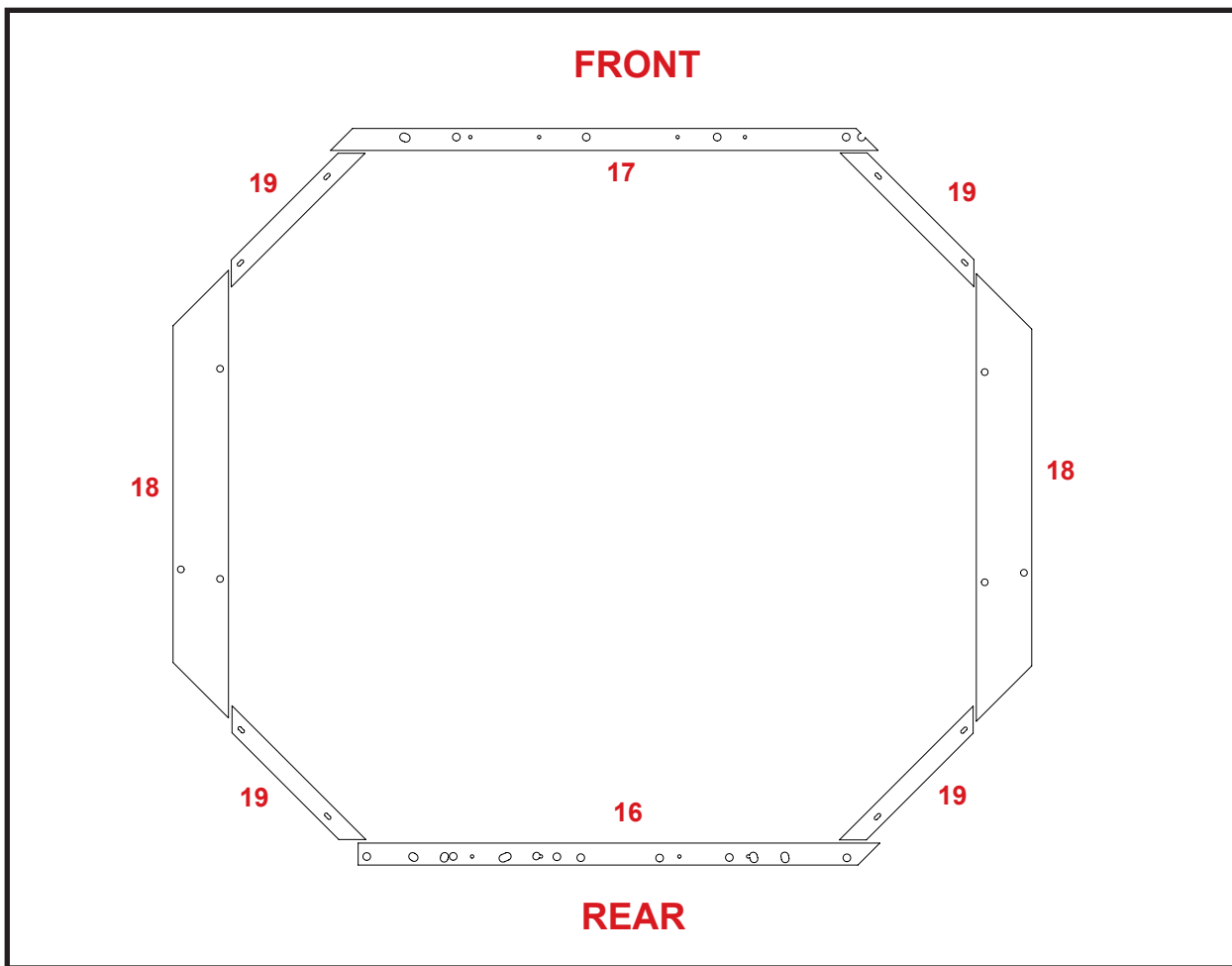


Figure 4

Arrange the plastic frame spacers as shown in figure 4 on top of the combine's grain tank. The front, back and right side spacers will be self aligning with the bolts on the top of the grain tank. The left side will float and will have to be aligned after the frame is assembled on top of the spacers. You will not be able to arrange the corner spacers until the tank caps are ready to be installed.

Frame Component Assembly

PARTS LIST

REF.#	PART #	QTY.	DESCRIPTION
30.	R5E000007L0	4	Frame Corner Assembly
36.	R5E000154L0	2	F & B Frame Splice Assembly
37.	R5E000155L0	2	L & R Frame Splice Assembly

Please order replacement parts by PART NO. and DESCRIPTION.

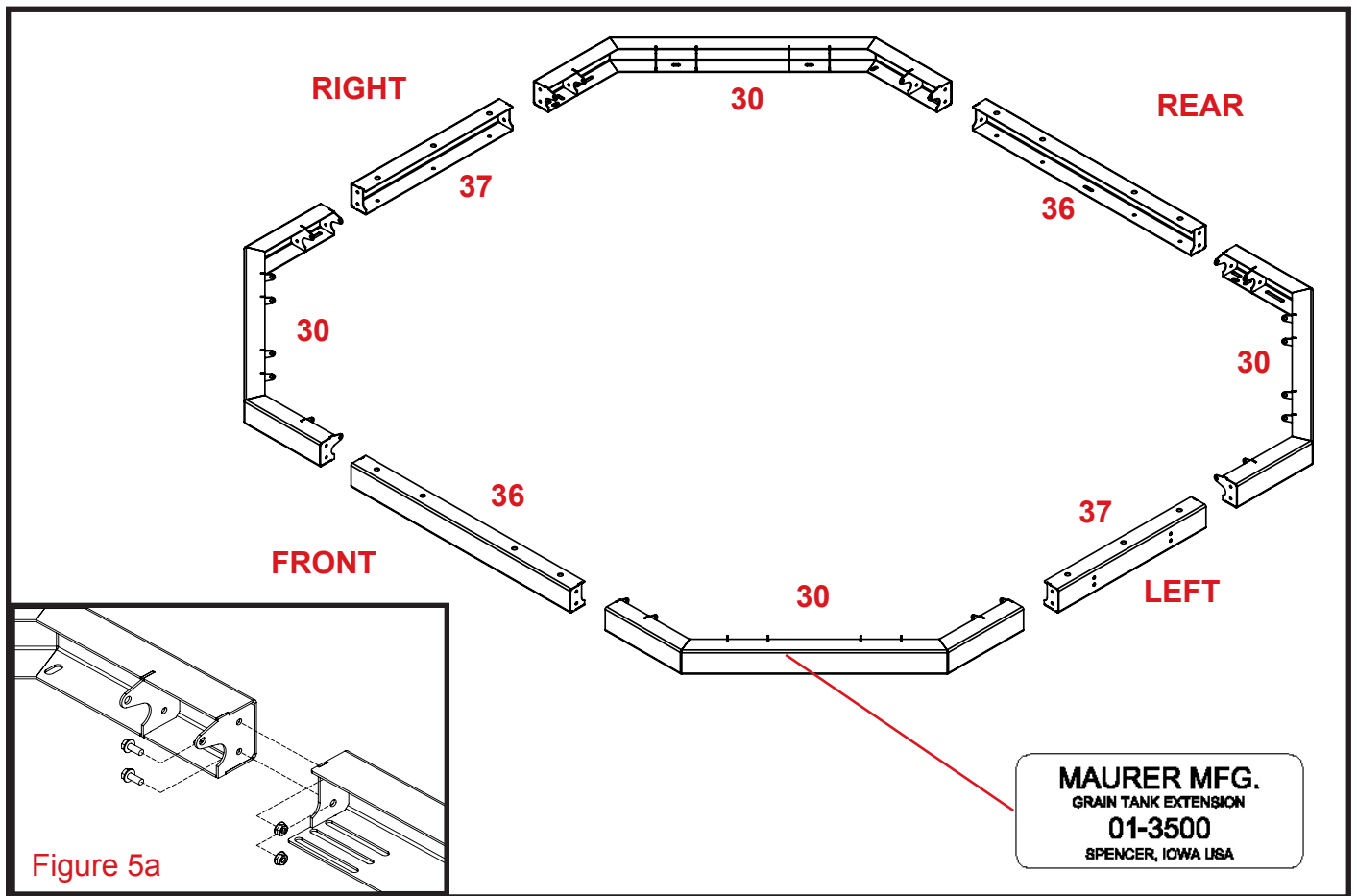


Figure 5

Arrange the frame components as shown in figure 5 on top of the plastic frame spacers. The frame corner with the serial number decal is the left front frame corner. Fasten the frame joints together with two 5/16" x 3/4" flange bolts and two 5/16" serrated flange nuts per joint. See figure 5a.

Mounting Plates and Brackets

PARTS LIST

REF.#	PART #	QTY.	DESCRIPTION
23.	R3E000253L0	1	Left Mount Plate - CIHXL
24.	R3E000254L0	1	Left Mount Bracket 1 - CIHXL
25.	R3E000255L0	1	Left Mount Bracket 2 - CIHXL

Please order replacement parts by PART NO. and DESCRIPTION.

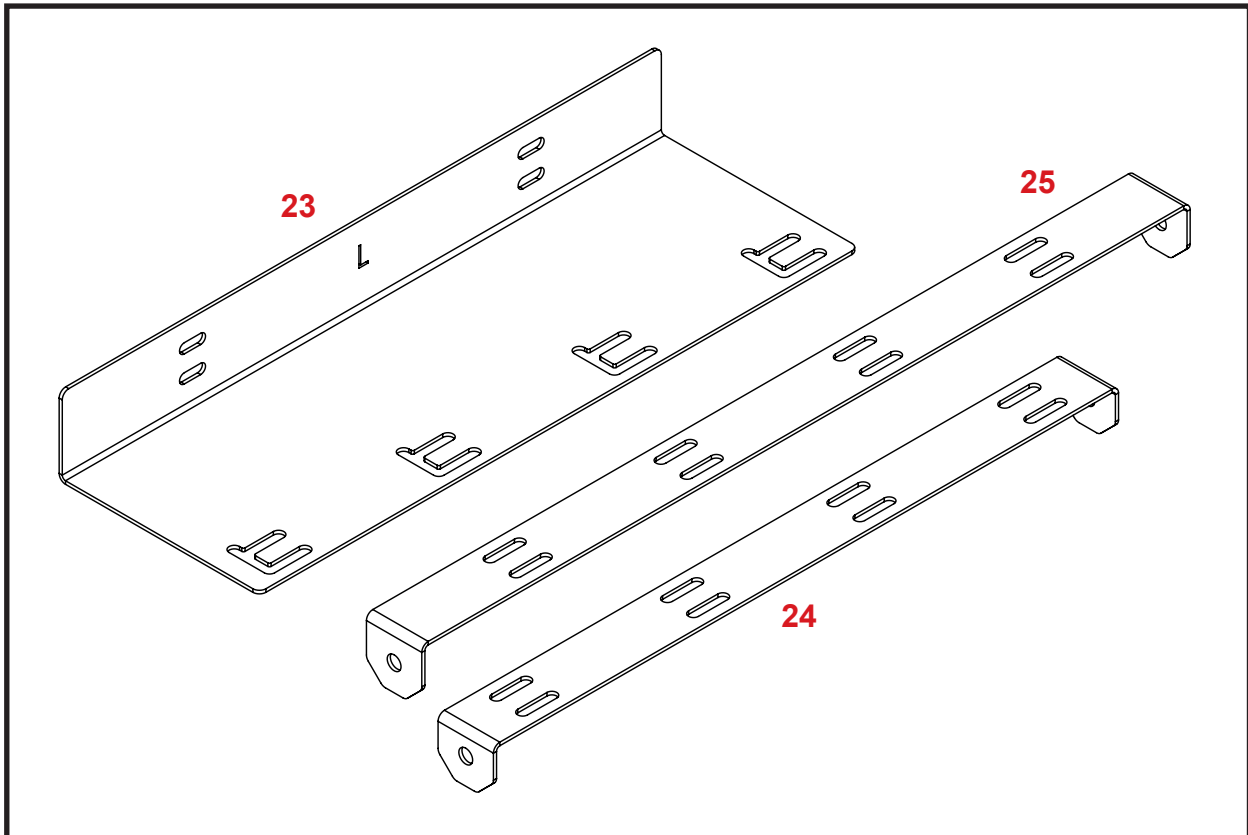


Figure 6

Step 1:

Remove the two slotted knockouts from the back side of the left frame splice. Place the left mount plate inside the left frame splice, align the slots on the mount plate and frame splice, and bolt together using the 5/16" x 3/4" bolts and 5/16" flange nuts provided.

Step 2:

Place left mount bracket 1 under the mount plate and inside of the factory mount brackets. Place left mount bracket 2 on top of the mount plate and outside of the factory mount brackets.

Step 3:

Align the holes on the legs of left mount brackets 1 & 2 and fasten to the factory mount brackets using the 1/2" x 4" hex bolt and 1/2" nylon lock nuts provided.

Step 4:

Next align all the slots on the mount plate and mount brackets and fastens together using the 5/16" x 3/4" flange bolts and 5/16" flange nuts provided.

Tank Cap Installation

PARTS LIST

REF.#	PART #	QTY.	DESCRIPTION
22.	R3E000094L0	1	Left Rear Tank Cap
26.	R3E000256L0	1	Right Front Tank Cap - CIHXL
27.	R3E000257L0	1	Left Front Tank Cap - CIHXL
28.	R3E000258L0	1	Right Rear Tank Cap - CIHXL

Please order replacement parts by PART NO. and DESCRIPTION.

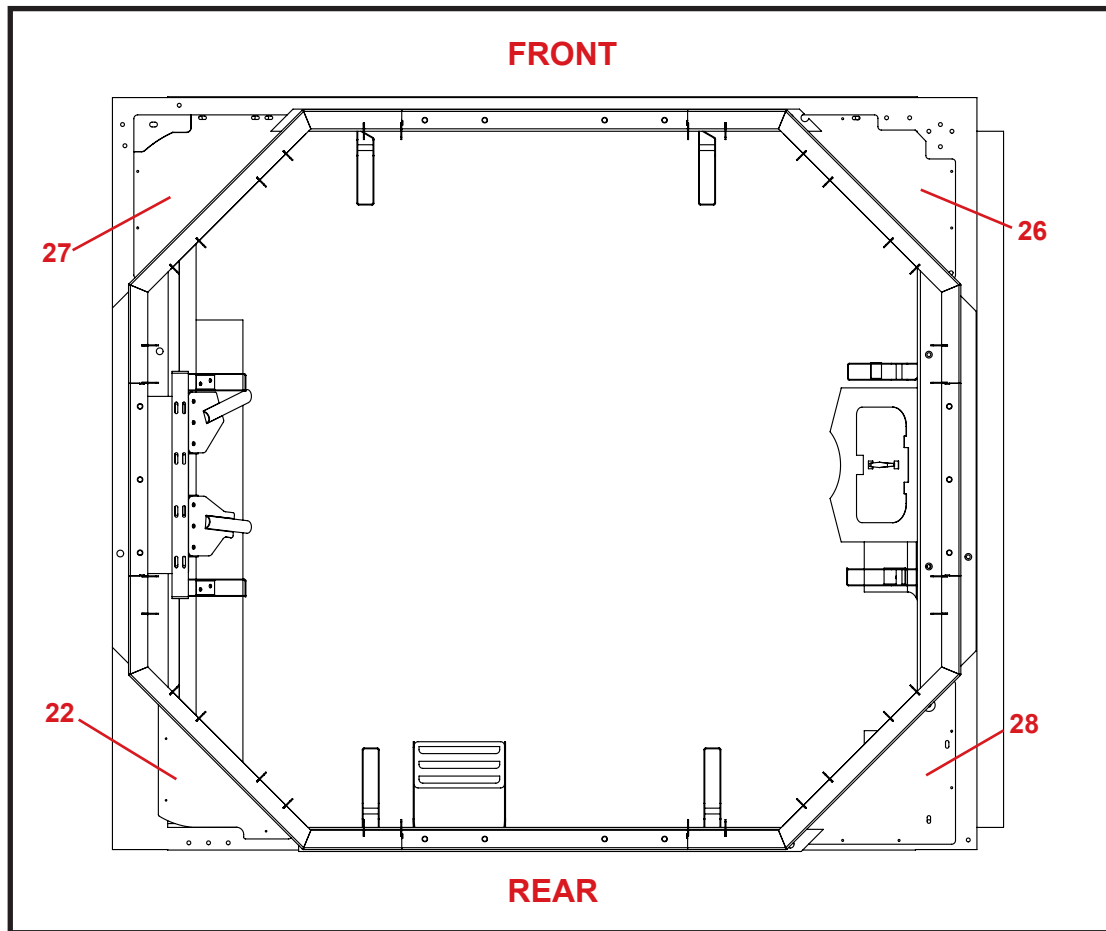


Figure 7

Step 1:

Layout the Tank Caps according to figure 7.

Step 2:

Fasten Tank Caps and Spacers to the extension frame corners using 5/16" x 3/4" bolts and 5/16" serrated flange nuts. (Tabs will be on the underside of the frame and spacer) See figure 8 on next page.

Step 3:

Complete by screwing the Tank Caps to the outer rim of the tank with #12 x 1" self tapping screws.

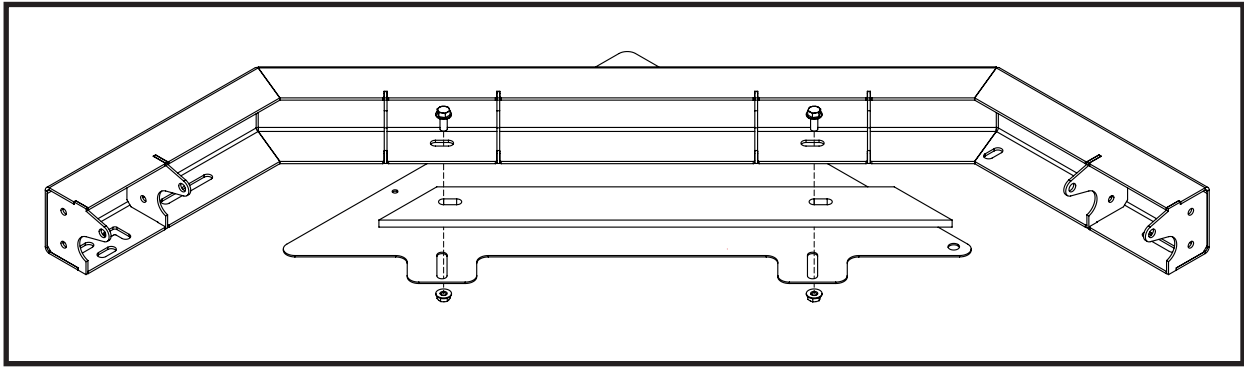


Figure 8

Fastening Extension Frame to Grain Tank

PARTS LIST

REF.#	PART #	QTY.	DESCRIPTION
6.	1AF055J0000	14	5/8" Plastic Plug
8.	1AFC08F0000	8	3/8" Flange Nut
15.	1AFC37FAA05	8	3/8" x 1" Flange Bolt

Please order replacement parts by PART NO. and DESCRIPTION.

Step 1:

Using a 7/16" drill bit start at the front of the extension frame and drill 3 holes through the top of the grain tank. Use two holes on the driver side of the front frame splice and the inside hole on the passenger side. DO NOT drill a hole through the grain tank on the far passenger side. Fasten the front frame splice to the grain tank using the 3/8" x 1" flange bolt and 3/8" flange nut provided.

Step 2:

On the right side of the extension frame drill two holes through the top of the grain tank. Use the front and center holes to fasten the right frame splice to the grain tank using the 3/8" x 1" flange bolt and 3/8" flange nut provided. DO NOT drill a hole through the grain tank using the rear hole on the right frame splice.

Step 3:

Finally, at the rear of the extension frame drill 3 holes through the top of the grain tank. Use two holes on the passenger side of the rear frame splice and one hole on the far driver side. Fasten the front frame splice to the grain tank using the 3/8" x 1" flange bolt and 3/8" flange nut provided.

Step 4:

Place the 5/8" plastic plugs in the holes on the top of the extension frame to prevent grain spillage.

Corner Panel Installation



ATTENTION: DAMAGE TO CORNER PANEL CAN OCCUR IF NOT FOLDED OUTWARD SLOWLY!

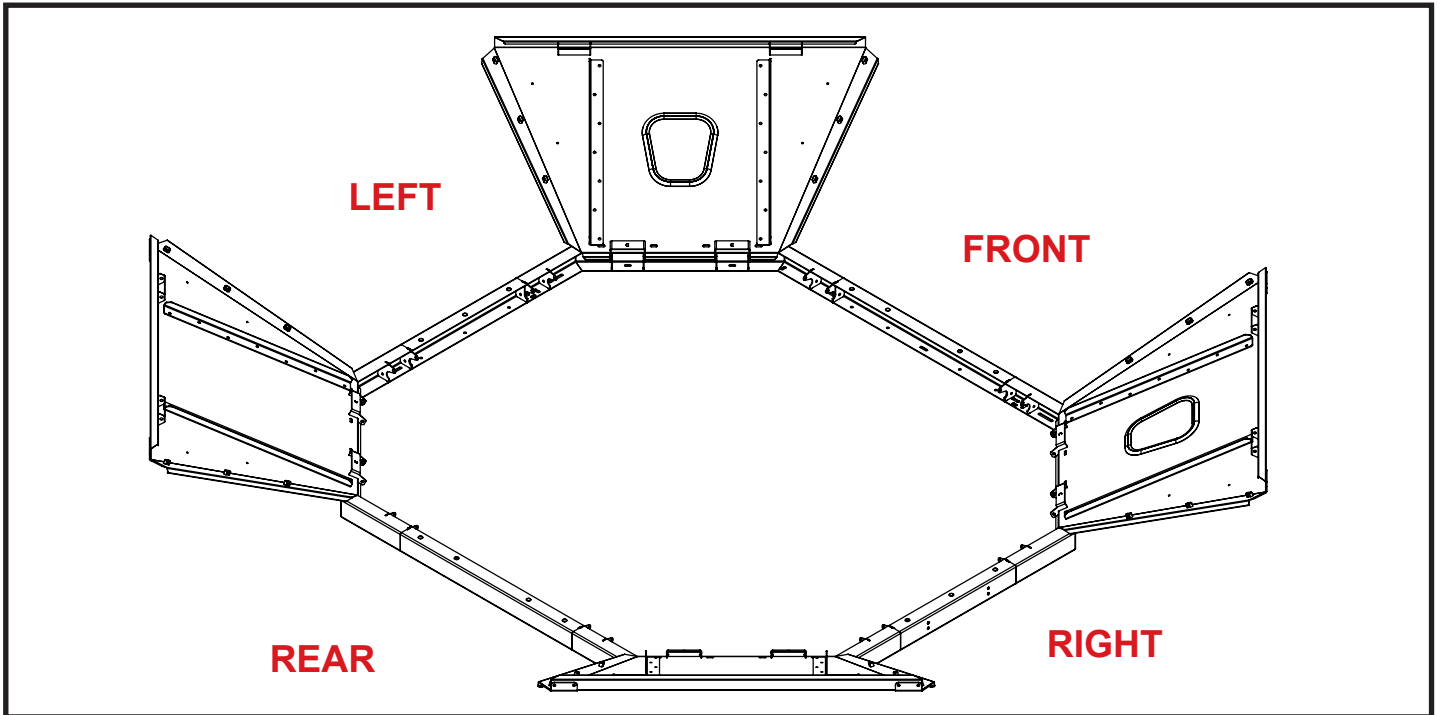


Figure 9

Step 1:

Using one 3/8" x 6" hex bolt, two 3/8" washers and one 3/8" nylon lock nut per hinge point, attach the extension corner panels to the frame of the grain tank extension.

NOTE: DO NOT over tighten nuts and distort hinge component, but ensure nylon lock nut fully engages bolt threads.

Step 2:

Assemble all four corner panels to the frame (panels with windows are to be fastened to the front) and slowly fold the panels outward to accept the front, rear, and side panels.

Side Panel Assembly and Installation

PARTS LIST

REF.#	PART #	QTY.	DESCRIPTION
1.	4E000023	4	XL Side Panel Bolt Bag
2.	R3E000222L0	12	Corner Panel Stiffener
3.	R5E000147L0	2	JDXL Side Panel Assy. - Top
4.	R5E000148L0	2	JDXL Side Panel Assy. - Bottom
5.	R5E000157L0	2	CIHXL Side Panel Assy. - Top
6.	R5E000158L0	2	CIHXL Side Panel Assy. - Bottom

Please order replacement parts by PART NO. and DESCRIPTION.

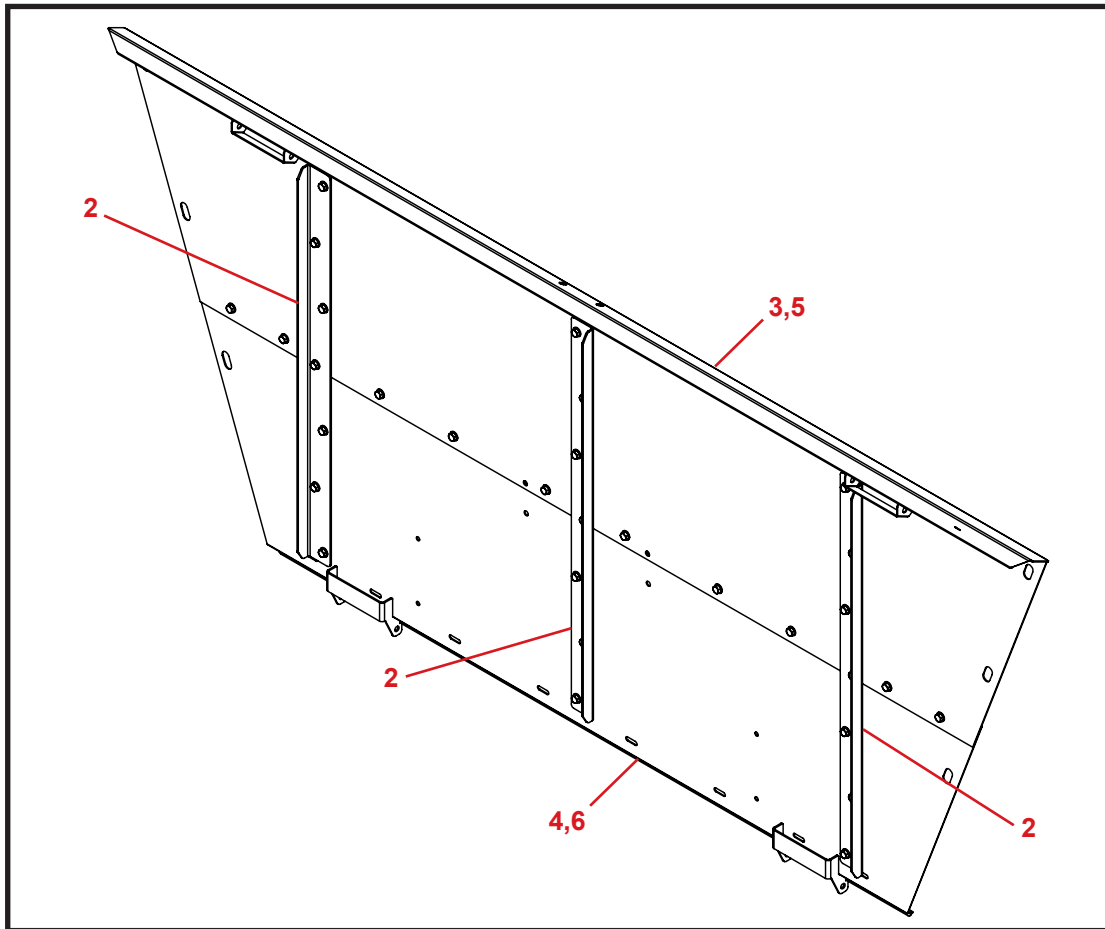


Figure 10



ATTENTION: DANGER decal must be facing the rear of the combine!

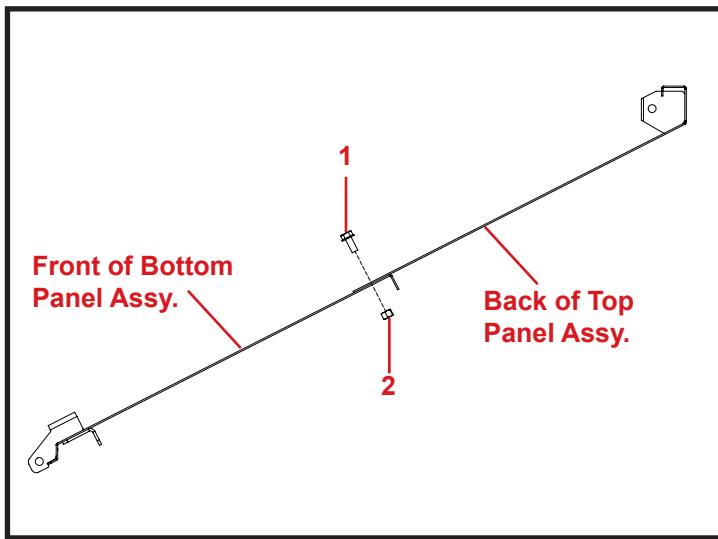


Figure 6a

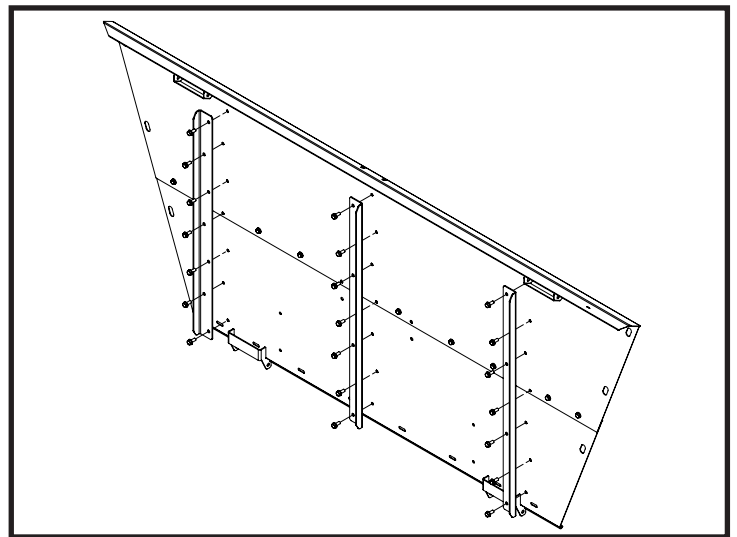


Figure 6b

STEP 1:

Overlap front of JDXL Side Panel Assy.-Bottom with back of JDXL Side Panel Assy.-Top. Panels will overlap 2". See figure 6a.

STEP 2:

Align bolt holes on overlapped assemblies and bolt together using 10 each of 5/16" x 3/4" flange bolts and 5/16" flange nuts provided. Use figures 6a and 6b as references.

STEP 3:

Attach the Corner Panel Stiffener to the center of the top and bottom panels using seven 5/16" x 3/4" flange bolts and seven 5/16" flange nuts. Note how stiffeners are facing when aligning holes. See figure 6b.

STEP 4:

Repeat Step 3 when fastening the stiffeners to the left and right sides of the side panel. See figure 6 for fully assembled panel.

STEP 5:

Repeat Steps 1-4 for remaining panels.

Step Installation

Remove the partial cut slugs in the center of the rear panel, and fasten the safety step to the rear panel using 5/16" x 3/4" flange bolts and 5/16" serrated flange nuts. When mounting, place the nuts to the inside. See figure 11.

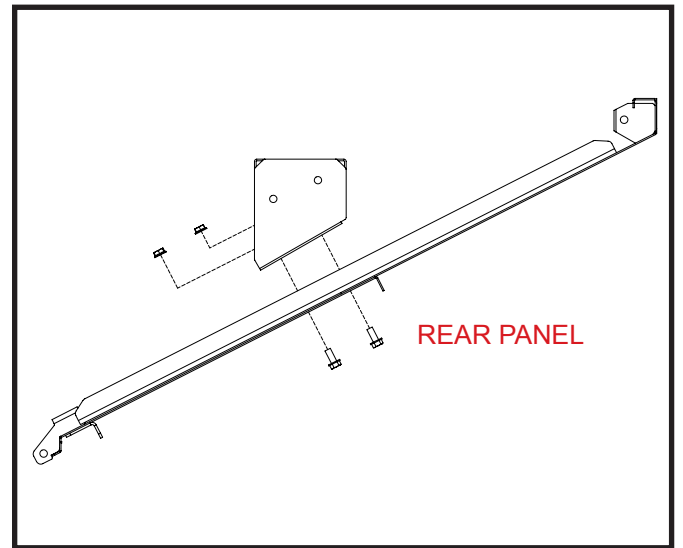


Figure 11

Completed Grain Tank Extension Assembly

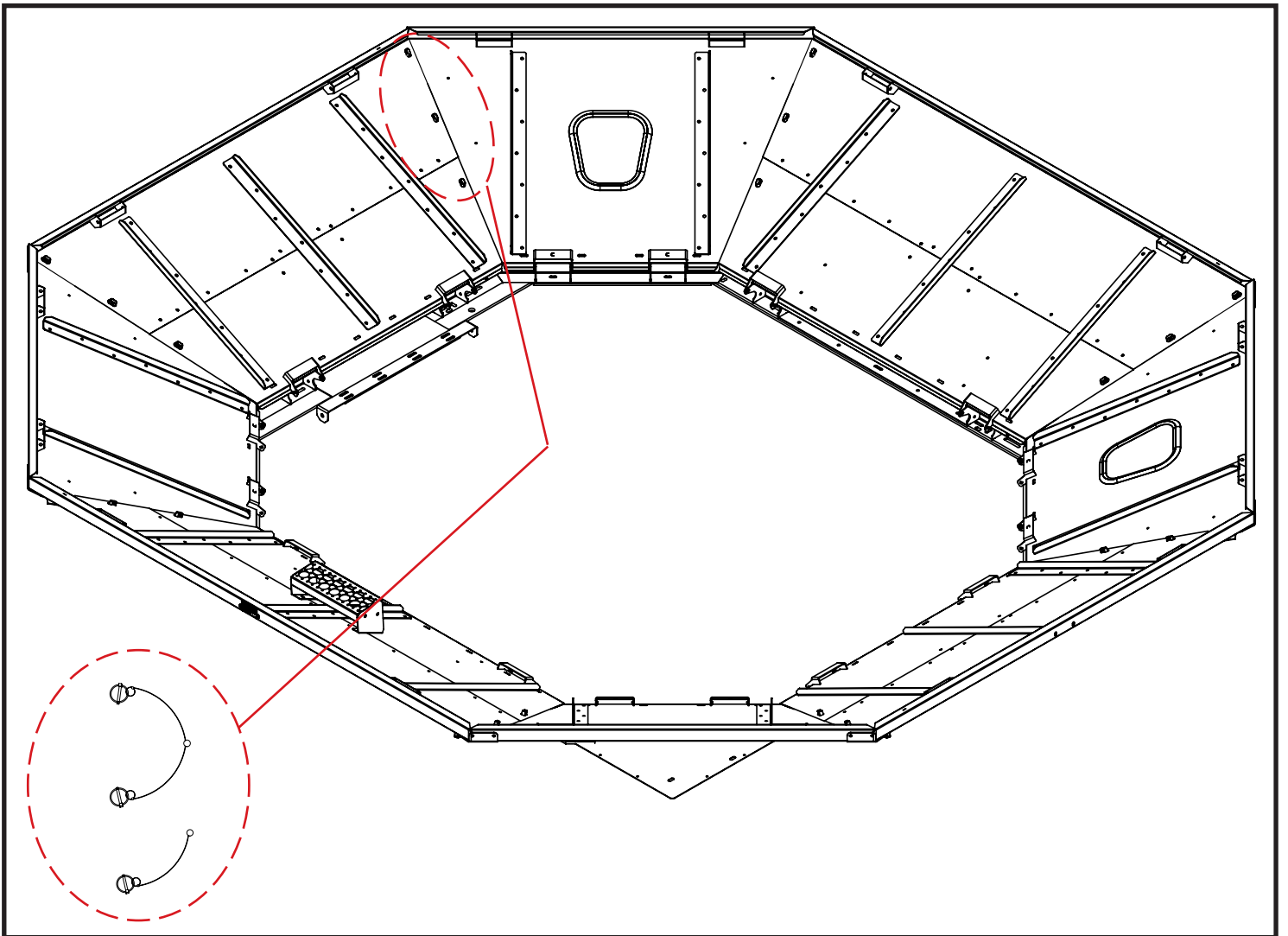


Figure 12

Align two nylon lanyards with one press rivet and one nylon lanyard with one press rivet and fasten together. Loop and lock the ends of the lanyards around one lynch pin each. Fasten the assemblies to the four small holes located on the corner panels. See figure 12.

HANDRAIL INSTALLATION

WARNING



FAILURE TO REPLACE
HANDRAIL COULD RESULT
IN SERIOUS INJURY OR
DEATH

CIH: 8120/9120/8230/9230
CNH: CR980/8080/8090/9080/9090

CIH: 8010

CIH: 8240/9240

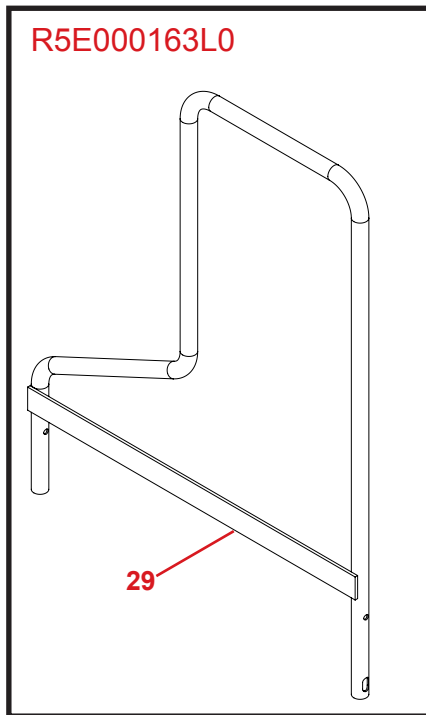


Figure 13

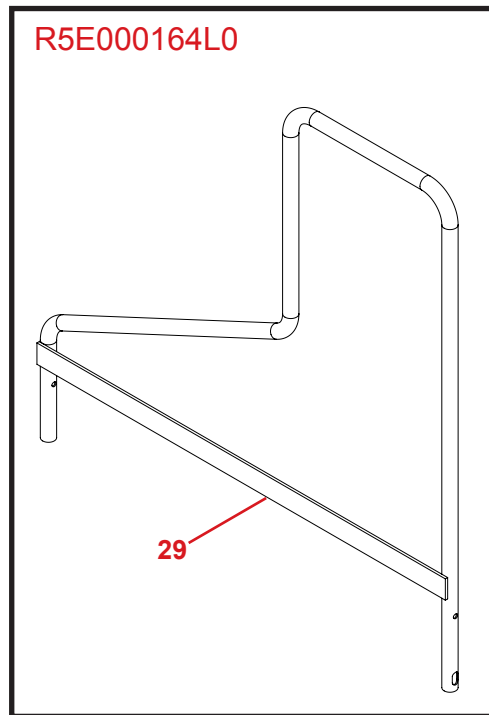


Figure 14

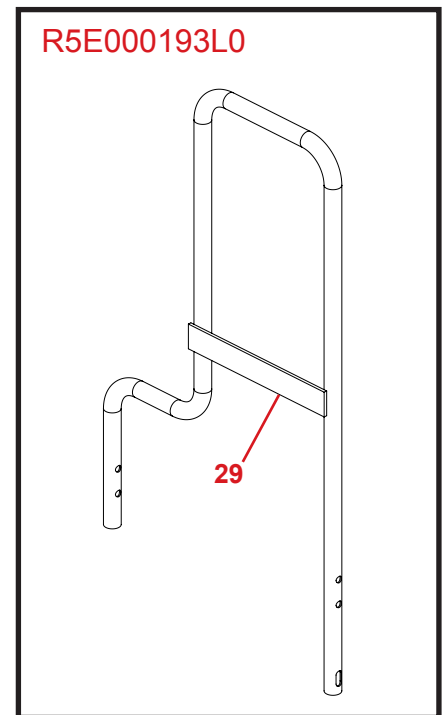


Figure 15

Step 1:

Using one 16mm and one 17mm wrench remove two nuts and bolts from the factory handrail located on the driver side of the combine's engine compartment.

Note: DO NOT discard nuts and bolts! They will be used to mount the Demco handrail.

Step 2:

Remove the factory handrail and replace with the Demco handrail using the two nuts and two bolts that were removed in Step 1.

DEMCO

4010 320th St., Boyden, IA. 51234

Phone: (712) 725-2311

Fax: (712) 725-2380

Toll Free: 1-800-54DEMCO (1-800-543-3626)

**Demco warranty policies, operator manuals, and product registration
can be found online:**

www.demco-products.com

