

Offset Mowers

# TB Series / RSM Series



[www.kuhn.com](http://www.kuhn.com)



**Invest in Quality®**

# SIMPLE AND COMPACT ROADSIDE MOWERS



KUHN offset mowers are specially designed for mowing roadsides, ditches, and hedges. Features such as pivoting headstocks and breakaway reset systems make mowing around obstacles easy and efficient in government/municipal, commercial, and farm applications.

## INCREASED SAFETY

The shredding heads of KUHN offset mowers shred grass and material into fine mulch for quick decomposition. In addition, the design deposits the shredded material immediately behind the rear roller, reducing flying debris. Other styles of mowers can launch hard objects hidden in the grass, potentially causing damage or injury.

## RELIABLE AND LOW MAINTENANCE

Simple shaft and belt rotor drives are easy to keep in peak performance condition. A minimum number of grease zerks and daily checkpoints will help operators complete more mowing per day.

## OFFSET MOWERS

TB / RSM in brief

Models	Working Width	Standard Knives	Maximum PTO Power Rating
<b>TB Series</b>	6'8" (2.03 m)	Universal Knives or Hammer Knives	110 hp (81 kW)
<b>RSM Series</b>	6' - 7' (1.83 - 2.13 m)	Universal Knives or Articulated Hammer Knives	90 hp (67 kW)

# VERSATILE BY DESIGN

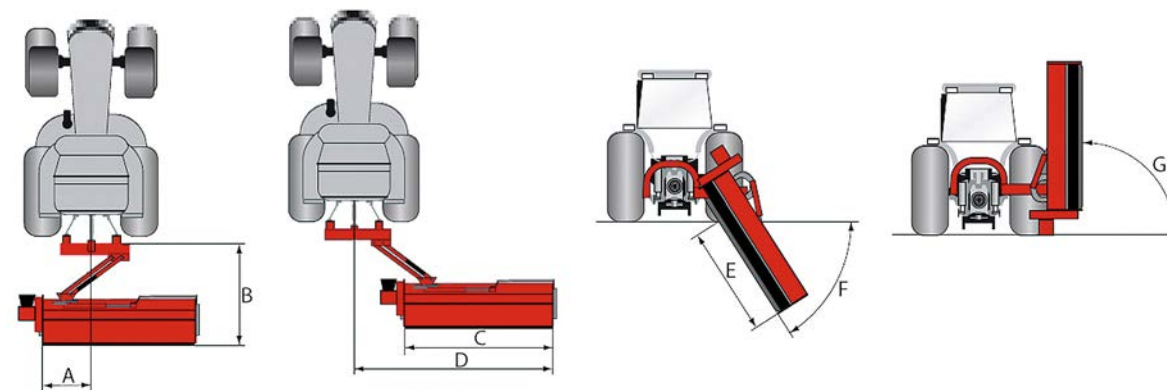
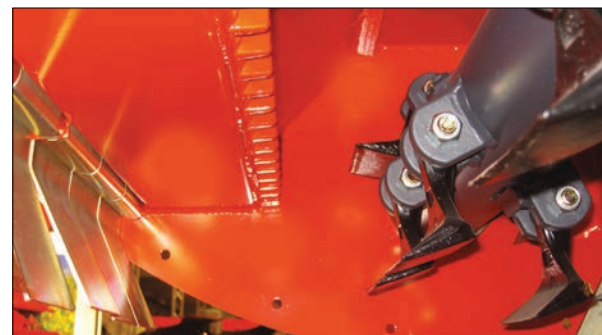
Whether it's the fight against weeds on field edges or road maintenance – there is a solution available for everyone. In multiple conditions, KUHN TB Series mowers provide you with versatility. These mowers are also supported by their sturdy design and safety features to avoid damage.

Maintenance mowing has to be done in a variety of environments, but will usually take place in grassy areas with a high chance of hidden foreign objects. The TB Series has been designed specifically for these types of operations. These mowers will easily meet your offset mowing needs. The design is suited for hedge work with operating angles from -65° to +90°.



## PROTECTED AGAINST IMPACT

When meeting an obstacle, the machine frame is protected by a non-stop, spring-loaded safety system. After the obstacle is cleared, the machine will automatically return to working position. The mechanical parts that are exposed to impact are all protected and the hood features a bolted, 4-mm thick sheet metal lining for increased resistance to impacts and wear.



TB 211	
A	38" (97 cm)
B	83" (211 cm)
C	80" (203 cm)
D	109" (277 cm)
E	73" (185 cm)
F	-65 degrees
G	+90 degrees

## MORE MOWING OPTIONS, MORE MOWING POSSIBILITIES

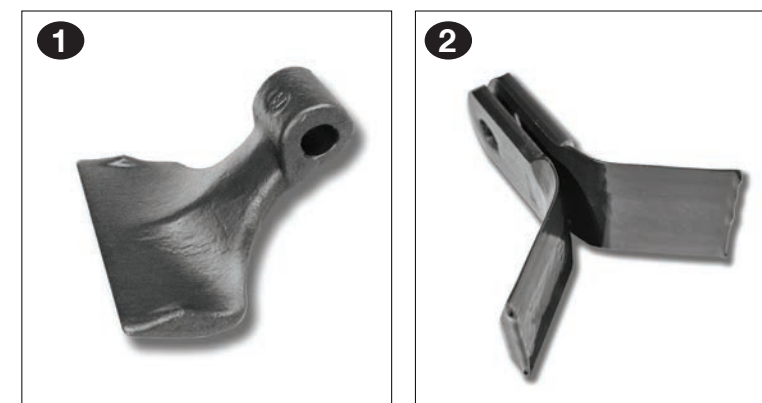
A wide angle PTO joint is standard. This is one of the most important features on the machine, especially if you spend a large amount of time in the field with the machine in a vertical position. Look at the diagram and chart above to see examples of how a TB mower can be more versatile by working in multiple positions.

## SHREDDING TO FIT YOUR NEEDS

Choose from either:

1. Hammer knives for use in grasses and pastures.
2. Universal knives for roadside maintenance.

Note: One set of counterknives is standard.



## NON-STOP SAFETY SPRING

A non-stop safety spring protects the structure against impacts. In order to not exceed the strength of the springs, a mechanical stop is standard.



## TOUGH IN AND OUT OF THE FIELD

This machine has a number of strong features including:

- High-strength steel construction with an excellent weight:strength ratio
- Strong 4" x 4" (10 x 10 cm) hitch frame
- Bolted sheet metal lining



## TRIED AND TESTED STRENGTH

Designed for intensive use, the frame of the KUHN TB offset mower is unmatched with its reliability and longevity. This machine includes self-lubricating bushings on all-pivot points.

# SIMPLE AND COMPACT

Quality of work and adaptability are the two main characteristics of roadside mowers. Suitable for tractors with 65–90 hp (49–67 kW), the RSM models are at ease in a wide variety of conditions.

The models in the RSM range have been designed to meet local municipality needs for mowing with increased safety over conventional rotary mowers.



### ROCK-SOLID DRIVE SYSTEM

The drive system is comprised of four automatically tensioned, high-capacity V-belts.



### CHOOSE YOUR TOOL

The rotor can be equipped with two types of knives:

1. Universal knives for mowing in heavy grass conditions.
2. Articulated hammer knives for mowing in tough conditions that may include rocks and foreign objects.



### HYDRAULIC SIDE SHIFT

The RSM can be fitted with a hitch frame incorporating a horizontal offset. This reduces overhang and limits stress in the structure during offset maneuvers. With the 23" (58 cm) offset, obstacles can be quickly and easily avoided.



### A MACHINE YOU CAN TRUST

The structure of the chassis and frame are based on decades of experience. In the event of a collision with an obstacle, the mechanical safety device will protect the machine's structure. Hydraulic non-stop breakaway with automatic reset is available as an option.

### Model Specifications

#### TB 211 SELECT

#### DIMENSIONS

Working width	6'8" (2.03 m)
Number of hammer knives	28
Inner protection cover	Standard
Mechanical breakaway system	Standard
Height adjustment by roller with removable ends	Standard
Curved skid shoes	Standard
Free wheel integrated in the central gearbox	Standard
Wide angle PTO shaft	Standard
Hitch type	Cat. 2, 3-point
Required tractor hydraulic connections	1 SA and 1 DA
Machine net weight, approx. with roller	1,720 lbs (780 kg)
PTO speed (rpm)	540
Rotor diameter	16.5" (42 cm)
Minimum PTO power requirement	70 hp (53 kW)
Maximum PTO power requirement	110 hp (81 kW)

### Model Specifications

#### RSM 180

#### RSM 210

#### DIMENSIONS

Working width	6' (1.83 m)	7' (2.13 m)
Number of articulated hammer knives	20	24
Hydraulic control of inner and outer cutting head position	Standard	Standard
Inner protection cover	Standard	Standard
Mechanical breakaway system	Standard	Standard
Height adjustment by roller with removable ends	Standard	Standard
Curved skid shoes	Standard	Standard
Free wheel integrated in the central gearbox	Standard	Standard
Hitch type	3-point, Cat. 2 (quick hitch compatible)	
Required tractor hydraulic connections	2 SA - with float required	
Machine net weight, approx. with roller	1,565 lbs (710 kg)	1,785 lbs (810 kg)
PTO speed (rpm)	540	
Rotor drive	4 - SPB belts	
Minimum PTO power requirement	65 hp (49 kW)	
Maximum PTO power requirement	90 hp (67 kW)	



### GENUINE KUHNS PARTS®

No part better fits a KUHNS machine than an original KUHNS part

Here at KUHNS, we produce spare parts built to last in our very own foundries, our forges and our ultra-modern production facilities. You can trust in our longstanding know-how, based on almost two centuries of experience. With KUHNS Parts, you can be assured of the highest quality parts and customer service in the agriculture equipment industry. Seven distribution centers, located strategically throughout North America, ensure that KUHNS, KUHNS Knight and KUHNS Krause dealers have access to parts and assistance so you can get back in the tractor.



# COMPLEMENTARY PRODUCTS

## MORE PRODUCTS TO MEET YOUR NEEDS

With over 700 models of equipment, we have the most complete implement line in the industry. Whether you have a small or large operation, we have a broad range of models and options to help fit your diverse needs.



1. Shredders
2. Salt Spreaders
3. Power Tillers
4. Power Harrows
5. Grain Drills
6. Fertilizer Spreaders

# MyKUHNS

THE LINK TO MY SUCCESS

[www.mykuhn.com](http://www.mykuhn.com)

For more information about your nearest KUHN dealer and other KUHN products, visit our website at [www.kuhn.com](http://www.kuhn.com)



Visit our YouTube channel to watch our latest product videos.

**KUHN NORTH AMERICA, INC.**  
 Corporate Headquarters  
 1501 West Seventh Avenue - Brodhead, WI 53520

[www.kuhn.com](http://www.kuhn.com)

Your KUHN dealer

Information given in this document is only for informational purposes and is non-contractual. Our machines are in compliance with North American safety standards. In our literature, and for improved illustration of certain details, some safety devices may not be in operating position. When operating these machines, these devices must be operated in accordance with the requirements indicated in the operator's manuals and assembly manuals. We reserve the right to change any designs, specifications or materials listed without further notice. Machines and equipment in this document can be covered by at least one patent and/or registered design. Trademarks cited in this document may be registered in one or several countries.

Find us on