

Art's Way

Since 1956



Art's-Way Manufacturing Co., Inc.

Model 6105 / CATTLEMAXX
Grinder/Mixer

Illustrated Parts List
597290

Issued March 2014



This symbol means ATTENTION! BECOME ALERT! YOUR SAFETY IS INVOLVED. The message that follows the symbol contains important information about your safety. Carefully read the message. Make sure you fully understand the causes of possible injury or death.

IF THIS MACHINE IS USED BY AN EMPLOYEE, IS LOANED, OR IS RENTED, MAKE SURE THAT THE OPERATOR UNDERSTANDS THE TWO INSTRUCTIONS BELOW.

BEFORE THE OPERATOR STARTS THE ENGINE:

GIVE INSTRUCTIONS TO THE OPERATOR ON SAFE AND CORRECT USE OF THE MACHINE.

MAKE SURE THE OPERATOR READS AND UNDERSTANDS THE OPERATOR'S MANUAL FOR THIS MACHINE.

 **WARNING**

IMPROPER OPERATION OF THIS MACHINE CAN CAUSE INJURY OR DEATH.

BEFORE STARTING THE ENGINE, DO THE FOLLOWING:

1. READ THE OPERATOR'S MANUAL.
2. READ ALL SAFETY DECALS ON THE MACHINE.
3. CLEAR THE AREA OF OTHER PERSONS.
4. LEARN AND PRACTICE SAFE USE OF MACHINE CONTROLS IN A SAFE AND CLEAR AREA BEFORE YOU OPERATE THIS MACHINE ON A JOB SITE.

It is your responsibility to observe pertinent laws and regulations and to follow manufacturer's instructions on machine operation and maintenance.

See your Authorized Art's-Way Manufacturing Co., Inc. dealer or Art's-Way Manufacturing Co., Inc. for additional operator's manuals, illustrated parts catalogs, and service manuals.

TO THE OWNER

Congratulations on the purchase of your new Art's-Way Grinder/Mixer. You have selected a top quality machine that is designed and built with pride to ensure you have many years of efficient and reliable service.

Many people have worked on the design, production, and delivery of this Grinder/Mixer. The information in this manual is based on the knowledge, study, and experience through years of specializing in the manufacturing of farm machinery. This manual is designed to provide you with important information regarding safety, maintenance, and machine operation so you can and will get the best possible performance from your Grinder/Mixer.

Even if you are an experienced operator of this or similar equipment, we ask that you read this manual before operating this Grinder/Mixer. The way you operate, adjust, and maintain this unit will have much to do with its successful performance. Any further questions you may have about this product of Art's-Way equipment should be directed to your local Art's-Way dealer or to Art's-Way Manufacturing Co., Inc., Armstrong, Iowa, 50514, (712) 864-3131.

SPECIFICATIONS AND DESIGN ARE SUBJECT TO CHANGE WITHOUT NOTICE

Art's-Way Manufacturing Co., Inc. is continually making product improvements. In doing so, we reserve the right to make changes and/or add improvements to our products without obligation for the equipment previously sold.

Modifications to this Grinder/Mixer may affect the performance, function, and safety of its operation. Therefore, no modifications are to be made without the written permission of Art's-Way Manufacturing Co., Inc. Any modification made without the written permission of Art's-Way Manufacturing Co., Inc. shall void the warranty of this product.

In the interest of continued safe operation of this Grinder/Mixer, pay particular attention to the safety alert symbol(s) throughout this manual.

Art's-Way Manufacturing Co., Inc. STATEMENT OF PRODUCT LIABILITY

Art's-Way Manufacturing Co., Inc. recognizes its responsibility to provide customers with a safe and efficient product. Art's-Way Manufacturing Co., Inc., attempts to design and manufacture its products in accordance with all accepted engineering practices effective at the date of design. This statement should not be interpreted to mean that our products will protect against the user's own carelessness or failure to follow common safety practices nor will Art's-Way Manufacturing Co., Inc., be liable for any such act. In addition, Art's-Way Manufacturing Co., Inc., assumes no liability for any altered product or any modified product by users or anyone other than an authorized dealer.

IMPORTANT WARRANTY INFORMATION

The warranty for this Grinder/Mixer appears on page 6 of this manual. In order to establish proper warranty registration, the Warranty Registration must be completed and returned to the factory. Failure to comply with this requirement may result in reduced warranty allowances.

LIMITATIONS OF THIS MANUAL

This manual contains operating instructions for your 6105 / CATTLEMAXX Grinder/Mixer only. Any mention of other machinery in this manual other than the 6105 / CATTLEMAXX Grinder/Mixer is for reference only. This manual does not replace nor is it to be used for any machinery that may be attached to or used in conjunction with the 6105 / CATTLEMAXX Grinder/Mixer.

PARTS & SERVICE

As the purchaser of your new grinder/mixer, it is very important to consider the following factors:

A. Original Quality

B. Availability of Service Parts

C. Availability of Adequate Service Facilities

Art's-Way Manufacturing Co., Inc. has an excellent dealership network ready to answer any questions you may have about your grinder/mixer. Parts for your machine may be ordered through our dealers. When placing a parts order, please have the **model** and **serial number** ready. This will allow the dealer to fill your order as quickly as possible.

For your convenience, we have provided this space for you to record your model number, serial number, and the date of purchase, as well as your dealer's name and address.

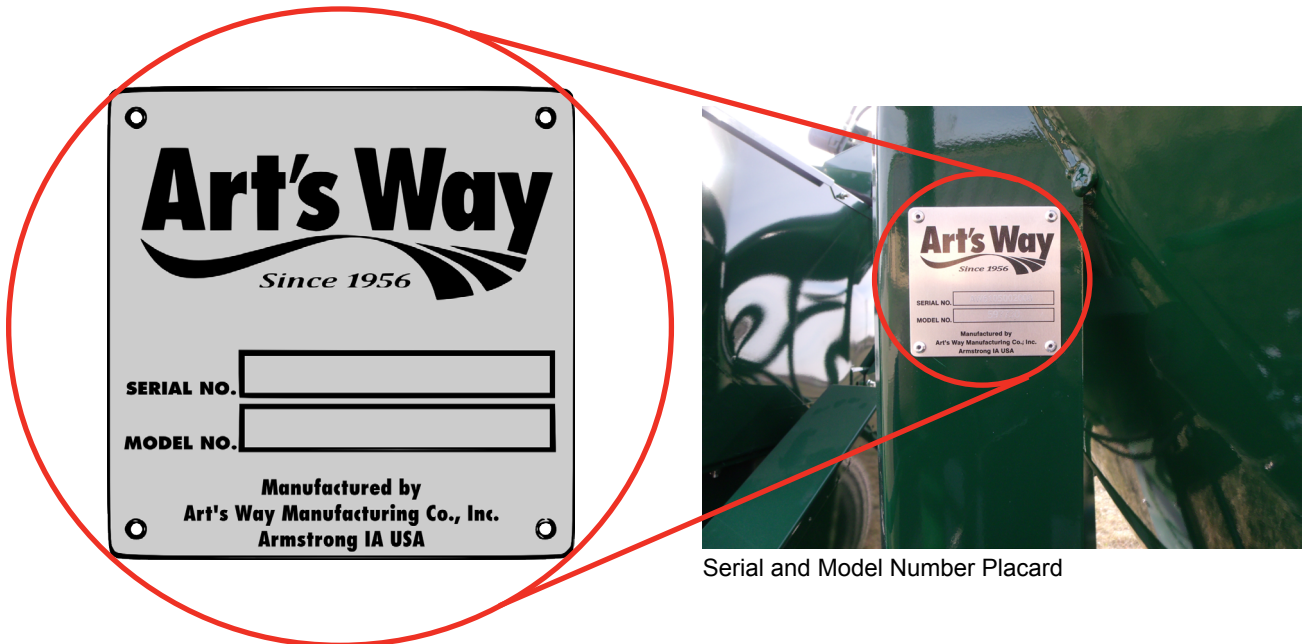


TABLE OF CONTENTS

TO THE OWNER	1
SPECIFICATIONS AND DESIGN ARE SUBJECT TO CHANGE WITHOUT NOTICE	1
Art's-Way Manufacturing Co., Inc. STATEMENT OF PRODUCT LIABILITY	1
IMPORTANT WARRANTY INFORMATION	1
LIMITATIONS OF THIS MANUAL	1
PARTS & SERVICE	2
TABLE OF CONTENTS	3-5
LIMITED WARRANTY	6
SAFETY FIRST	7
NOTICES OF DANGER, WARNING, AND CAUTION	7
SAFETY INSTRUCTIONS	8
GENERAL	8
BEFORE OPERATING	9
DURING OPERATION	9
MAINTENANCE SAFETY	9
HYDRAULIC SAFETY	10
TRANSPORTATION SAFETY	10
STORAGE SAFETY	10
TIRE SAFETY	11
ASSEMBLY SAFETY	11

TABLE OF CONTENTS	
NAME	PAGE
IMPLEMENT DRIVELINE ASSEMBLY, 540 RPM	14
JACK ASSEMBLY	16
SPINDLE/HITCH/HUB ASSEMBLY	18
TANK ASSEMBLY	20
MIXING AUGER ASSEMBLY	22
GEARBOX ASSEMBLY, MIXER	24
DRIVE & GEARBOX ASSEMBLY, LOWER	26
MILL TO MIXER AUGER ASSEMBLY	28
SUPPLEMENT HOPPER ASSEMBLY	30
HAMMERMILL ASSEMBLY, 20"	32
THROAT & AUGER ASSEMBLY, 20"	34
HAMMERMILL DRIVE ASSEMBLY, 20" 540 RPM	36
HAMMERMILL JACKSHAFT ASSEMBLY, 20" 540 RPM	38
MAIN SHIELD ASSEMBLY	40
AIR SYSTEM ASSEMBLY	42
AUGER FEEDER ASSEMBLY, HYDRAULIC	44
AUGER FEEDER ASSEMBLY, HYDRAULIC (CONTINUED)	46
AUGER FEEDER SUPPORT SYSTEM ASSEMBLY	48
ROLL FEEDER ASSEMBLY, 20" HYDRAULIC (WITHOUT AUGER FEEDER)	50
ROLL FEEDER, 20" HYDRAULIC (WITH AUGER FEEDER)	52
ROLLERMILL BELT DRIVE ASSEMBLY	54
ROLLERMILL DRIVE ASSEMBLY	56
ROLLERMILL WITH OFFSET HOPPER ASSEMBLY	58
DRIVE ROLL ASSEMBLY	60
IDLER (ECCENTRIC) ROLL ASSEMBLY	62
COVER FOR OFFSET HOPPER WITHOUT AUGER FEEDER ASSEMBLY	64
AUGER FEEDER ROLLERMILL ASSEMBLY	66
AUGER FEEDER ROLLERMILL ASSEMBLY (CONTINUED)	68
HOPPER & DRIVE ASSEMBLY, MECHANICAL DISCHARGE	70
HOPPER & DRIVE ASSEMBLY, MECHANICAL DISCHARGE (CONTINUED)	72
HOPPER & DRIVE ASSEMBLY, DISCHARGE	74
DISCHARGE ASSEMBLY, HYDRAULIC	76
SWIVEL ASSEMBLY, MECHANICAL DISK DRIVE	78
SWIVEL ASSEMBLY, HYDRAULIC	80
DISCHARGE ASSEMBLY, 29" MECHANICAL VERTICAL OR HYDRAULIC	82
INNER ELBOW ASSEMBLY, MECHANICAL DISCHARGE	84
DISCHARGE ASSEMBLY, UPPER HYDRAULIC	86
DISCHARGE ASSEMBLY, UPPER HYDRAULIC (CONTINUED)	88
RING & WORM GEAR ASSEMBLY, MECHANICAL	90
DISCHARGE LIFT ASSEMBLY, HYDRAULIC	92
DISCHARGE AUGER EXTENSION ASSEMBLY, FOLDING 3" & 6"	94

TABLE OF CONTENTS	
DISCHARGE AUGER EXTENSION ASSEMBLY, BOLT-ON 3' & 6'	96
HYDRAULIC PLUMBING, (LIFT & SWING WITH HYDRAULIC AUGER FEEDER)	98
HYDRAULIC PLUMBING, (LIFT & SWING WITHOUT HYDRAULIC AUGER FEEDER)	100
HYDRAULIC PLUMBING, (LIFT & SWING WITH HYDRAULIC AUGER FEEDER)	102
HYDRAULIC PLUMBING, (LIFT & SWING WITHOUT HYDRAULIC AUGER FEEDER)	104
HYDRAULIC PLUMBING, HYDRAULIC DISCHARGE KIT	106
HYDRAULIC MOTOR KITS	109
VALVE ASSEMBLY, HYDRAULIC FLOW CONTROL	109
HIGHWAY LIGHT KIT ASSEMBLY	110
ELECTRONIC SCALE ASSEMBLY	112
SCALE ARM ASSEMBLY	114
ELECTRIC ACTUATOR ASSEMBLY, (FOR NON-SELF CONTAINED HYDRAULIC MIXER)	116
CONTROLL BOX & WIRE HARNESS ASSEMBLY	118
PAINT & DECALS	120
PAINT & DECALS	122

LIMITED WARRANTY

Art's-Way Manufacturing Co., Inc. warrants the products it sells to be free from defects in material and workmanship for a period of one (1) season after the date of delivery to the first (original) purchaser, subject to the following conditions:

Art's-Way Manufacturing Co., Inc. obligation and liability under this warranty is to repair or replace (at the company's option) any parts that upon manufacture were defective in material or workmanship.

All parts and repairs under this warranty shall be supplied at Art's-Way Manufacturing Co., Inc. or an authorized Art's-Way Manufacturing Co., Inc. dealer, at the option of Art's-Way Manufacturing Co., Inc.

Art's-Way Manufacturing Co., Inc. warranty does not extend to parts and elements not manufactured by Art's-Way Manufacturing Co., Inc. and which carry the warranty of other manufacturers.

Transportation or shipping to an authorized dealer for necessary repairs is at the expense of the purchaser.

Art's-Way Manufacturing Co., Inc. makes no other warranty expressed or implied and makes no warranty of merchantability or fitness for any particular purpose beyond that expressly stated in this warranty. Art's-Way Manufacturing Co., Inc. liability is limited to the terms set forth in this warranty and does not include any liability for direct, indirect, incidental or consequential damages or expenses of delay and the company's liability is limited to repair or replacement of defective parts as set forth herein.

Any improper use and/or maintenance, including operation after discovery of defective or worn parts, operation beyond the rated capacity, substitution of parts not approved by Art's-Way Manufacturing Co., Inc., or any alternation or repair by other than an authorized Art's-Way Manufacturing Co., Inc. dealer which affects the product materially and adversely, shall void the warranty.

No dealer, employee or representative is authorized to change this warranty in any way or grant any other warranty unless such change is made in writing and signed by an officer of Art's-Way Manufacturing Co., Inc.

Some states do not allow limitations on how long an implied warranty lasts or exclusions of, or limitations on relief such as incidental or consequential damages, so the above limitations or exclusions may not apply to you. This warranty gives you the specific legal rights and you may have other rights that vary from state to state.

SAFETY FIRST

SAFETY INSTRUCTIONS

“A careful operator is the best insurance against an accident.” Quote from the National Safety Council.

Most accidents can be prevented if the operator:

1. Fully understands how the machine functions.
2. Can anticipate situations which may produce problems.
3. Can make necessary corrections before problems develop.

**THIS SYMBOL MEANS ATTENTION!
BECOME ALERT!
YOUR SAFETY IS INVOLVED!**



- Universal Safety Alert Symbol

The American Society of Agricultural Engineers has adopted the Universal Safety Alert Symbol as a way to identify areas of potential danger if the equipment is not operated correctly. Please be alert whenever you see this symbol in the manuals or on your grinder/mixer.

Art's-Way Manufacturing Co., Inc. strives to make our equipment as safe as possible. The Art's-Way 6105 / CATTLEMAXX Grinder/Mixer conforms to applicable safety standards at the time of manufacturing. A safety conscious equipment operator makes an effective accident-prevention program complete.

Safety features and instructions for the grinder/mixer are detailed in the Safety Guidelines section of this Operator's Manual. It is the responsibility of the owner to ensure that all operators read and understand the manual before they are allowed to operate the grinder/mixer. (Occupational Safety and Health Administration (OSHA) regulations 1928.57).

NOTICES OF DANGER, WARNING, AND CAUTION

Signal Words: Note the use of signal words **DANGER**, **WARNING**, and **CAUTION** on the grinder/mixer and in this manual. The appropriate signal word for each has been selected using the following guidelines:

! DANGER

Indicates a hazardous situation which, if not avoided, will result in death or serious injury.

! WARNING

Indicates a hazardous situation which, if not avoided, could result in death or serious injury.

! CAUTION

Indicates a potentially hazardous situation which, if not avoided, could result in minor or moderate injury.

NOTICE

NOTICE is used to address practices not related to physical injury.

SAFETY INSTRUCTIONS

Safety instructions (or equivalent) signs indicate specific safety-related instructions or procedures.

Note: Contains additional information important to a procedure and will be found within the regular text body of this manual.

GENERAL

SAFETY INSTRUCTIONS

Most work related accidents are caused by failure to observe basic safety rules or precautions. An accident can often be avoided by recognizing potentially hazardous situations before an accident occurs. As you operate and maintain the grinder/mixer you must be alert to potential hazards. You should also have the necessary training, skills, and tools to perform any assembly procedure.

Improper operation and/or maintenance of this unit could cause a dangerous situation that results in injury or death.

Do not use this unit until you read and understand the information contained in this manual. Do not use this equipment for anything other than its intended purpose.



Safety precautions and warnings are provided in this manual and on the unit. If these hazard warnings are not heeded, bodily injury or death could occur to you or to other persons.

Art's-Way Manufacturing Co., Inc. cannot anticipate every possible circumstance that might involve a potential hazard. The warnings in this manual and on the product are, therefore, not all-inclusive. If a method of operation not specifically recommended by us is used, you must satisfy yourself that it is safe for you and for others. You should also ensure that the unit will not be damaged or be made unsafe by the methods that you choose.

The information, specifications, and illustrations in this manual are based on the information that was available at the time this material was written and can change at any time.

Safety Alert Symbols



death.

This is the safety alert symbol. It is used to alert you to potential personal injury hazards. Obey all safety messages that follow this symbol to avoid possible injury or

This manual contains DANGERS, WARNINGS, CAUTIONS, NOTICES, SAFETY INSTRUCTIONS, and NOTES which must be followed to prevent the possibility of improper service, damage to the equipment, personal injury, or death. The following key words call the readers attention to potential hazards.

Hazards are identified by the "Safety Alert Symbol" and followed by a signal word such as "DANGER", "WARNING", or "CAUTION".

**SAFETY
INSTRUCTIONS**

**Remember:
"The Best Operator is a Safe Operator"**

CAUTION



Read and understand the operator's manual and all the safety decals before operating the grinder/mixer. Review all safety instructions with all operators annually.

BEFORE OPERATING

SAFETY
INSTRUCTIONS

Do not wear loose fitting clothing as it may catch in moving parts.



Make sure all guards and shields are installed, including the tractor power take-off (PTO) master shield, before starting or operating the grinder/mixer.



Be sure that the correct implement driveline parts are used and that they are properly secured.

Lower the lifter wheels when the grinder/mixer is not in use.

Install safety chain when attaching the grinder/mixer to the tractor.



Clear the area of bystanders, especially children, when making repairs, adjustments, or performing maintenance on the grinder/mixer.



Do not allow riders.

Put all tractor and machine controls in “neutral” and disengage the PTO before starting. Follow the starting instructions according to the OEM tractor manual.



Operate the grinder/mixer only while seated on the tractor seat.



Make sure the unit is adequately supported with safety blocks or safety stands when changing tires or performing maintenance.

DURING OPERATION

CAUTION



Entanglement Hazard
Keep hands, feet, hair, and clothing away from moving parts. Wait for all movement to stop before approaching equipment.

Before making adjustments:

1. Shut off the tractor,
2. Set parking brake,
3. Put machine in neutral, and
4. Remove key while making adjustments.



Keep all shields and guards in place and in good working condition.



Keep all bystanders, especially children, away from the grinder/mixer while in operation.



Do not allow riders while the grinder/mixer is in operation.



Do not attempt to unclog, clean, or adjust the grinder/mixer while it is running.



Stay away from overhead power lines. Electrocutation can occur even without direct contact.



Keep all hydraulic lines, fittings, and couplers tight and free of leaks. (Refer to Safety Guidelines – Hydraulic Safety).



Use caution when ascending or descending on the grinder/mixer. Wet shoes or boots are slippery.

MAINTENANCE SAFETY

SAFETY
INSTRUCTIONS

Follow all operating, maintenance, and safety instructions found in this Manual.



Before servicing, adjusting, repairing, or unclogging the machine, always make sure the tractor engine is stopped, key in your pocket, the machine is lowered to the ground, all controls are placed in neutral, the parking brake is set, and all the moving parts have stopped.



Use sufficient tools, jacks, and hoists that have the capacity for the job.



Use support blocks or safety stands when changing tires or performing maintenance.



Follow good shop practices of keeping the service area clean and dry, and use adequate light for the job at hand.



Before applying pressure to the hydraulic system, make sure all lines, fittings, and couplers are tightly secured and in good condition.



Make sure all shields/guards are in place and properly secured when performing maintenance.

HYDRAULIC SAFETY

SAFETY INSTRUCTIONS

Follow all operating, maintenance, and safety instructions found in this Manual.

Make sure components in the hydraulic system are kept clean and in good working condition.



Relieve pressure from the hydraulic system before servicing or disconnecting from the tractor.



Keep all hydraulic lines, fittings, and couplers tightly secured and free of leaks.



Replace any worn, cut, abraded, flattened, or crimped hoses.



Do not make any temporary repairs to the hydraulic lines, fittings, or hoses using tape, clamps, or cement. The hydraulic system operates under extremely high pressure and temporary repairs may fail suddenly and create a hazardous/dangerous situation.



Wear proper hand and eye protection when searching for a high-pressure hydraulic leak. Use a piece of wood or cardboard as a backstop instead of hands to identify and isolate a leak. If injured by a concentrated high-pressure stream of hydraulic fluid, seek medical attention immediately. Serious infection or toxic reaction can develop if hydraulic fluid penetrates the surface of the skin.



Before applying pressure to the system, make sure all components are tight and that the hydraulic lines, hoses, and couplings are not damaged.

TRANSPORTATION SAFETY

SAFETY INSTRUCTIONS

Follow all operating and safety instructions found in this manual when transporting this equipment.

Make sure the grinder/mixer complies with all local regulations regarding transporting equipment on public roads and highways.



Make sure the Slow Moving Vehicle (SMV) emblem and all lights and reflectors required by local highway and transportation authorities are properly in place, clean, and clearly visible to traffic.



Do not allow riders on any machinery during transport.

Make sure the grinder/mixer is securely attached to the tractor and install a safety chain to the grinder/mixer.

Make sure the tractor brake pedals are latched together.

Do not exceed 20 mph (32 km/h) when transporting the grinder/mixer. Always reduce speed on rough roads and surfaces, or when going down inclines.

Use caution when turning and always use the turn signals on the tractor to indicate your turning intentions to the other traffic.

The weight of the trailed machine should NEVER exceed the weight of the towing vehicle.

Check all clearances carefully whenever the machine is towed.

Lower the elevator into the transport position before transporting the grinder/mixer on the highway.



Stay away from overhead obstructions and power lines during transport. Electrocutation can occur even without direct contact.

STORAGE SAFETY

SAFETY INSTRUCTIONS

Follow all operating and safety instructions found in this manual when storing this equipment.



Store the grinder/mixer in an area away from human activity.



Do not permit children to play on or around the stored machine at any time.

Make sure that the grinder/mixer is stored in an area with a firm and level base to prevent the machine from tipping or sinking into the ground.



Block the wheels to prevent the machine from rolling.

TIRE SAFETY**SAFETY
INSTRUCTIONS**

Follow all operating and safety instructions found in this manual when working around tires.

Have only a qualified tire dealer or tire repair service perform tire repairs.

Do not attempt to install a tire on a wheel or rim unless you have the proper equipment and experience to do the job.

Do not substitute tires with a lesser road rating and/or capacity for the original equipment tires.

WARNING

Explosive Force Hazard
Tire replacement, repair, and/or maintenance should be done by a qualified tire dealer or qualified repair service.

Failure to follow proper procedures when installing a tire on a wheel or rim can produce an explosive force that will result in serious injury or death.

Do not attempt to install a tire without proper equipment and experience to perform the job.

ASSEMBLY SAFETY**SAFETY
INSTRUCTIONS**

Follow all assembly, operating, and safety instructions found in this manual when assembly this equipment.



Use adequate manpower to perform assembly procedures safely.

Assemble the grinder/mixer in an area with sufficient space to maneuver the largest components and allow easy access to all sides of the machine.



Use only forklifts, lift cranes, jacks, and tools with sufficient capacity for the loads.

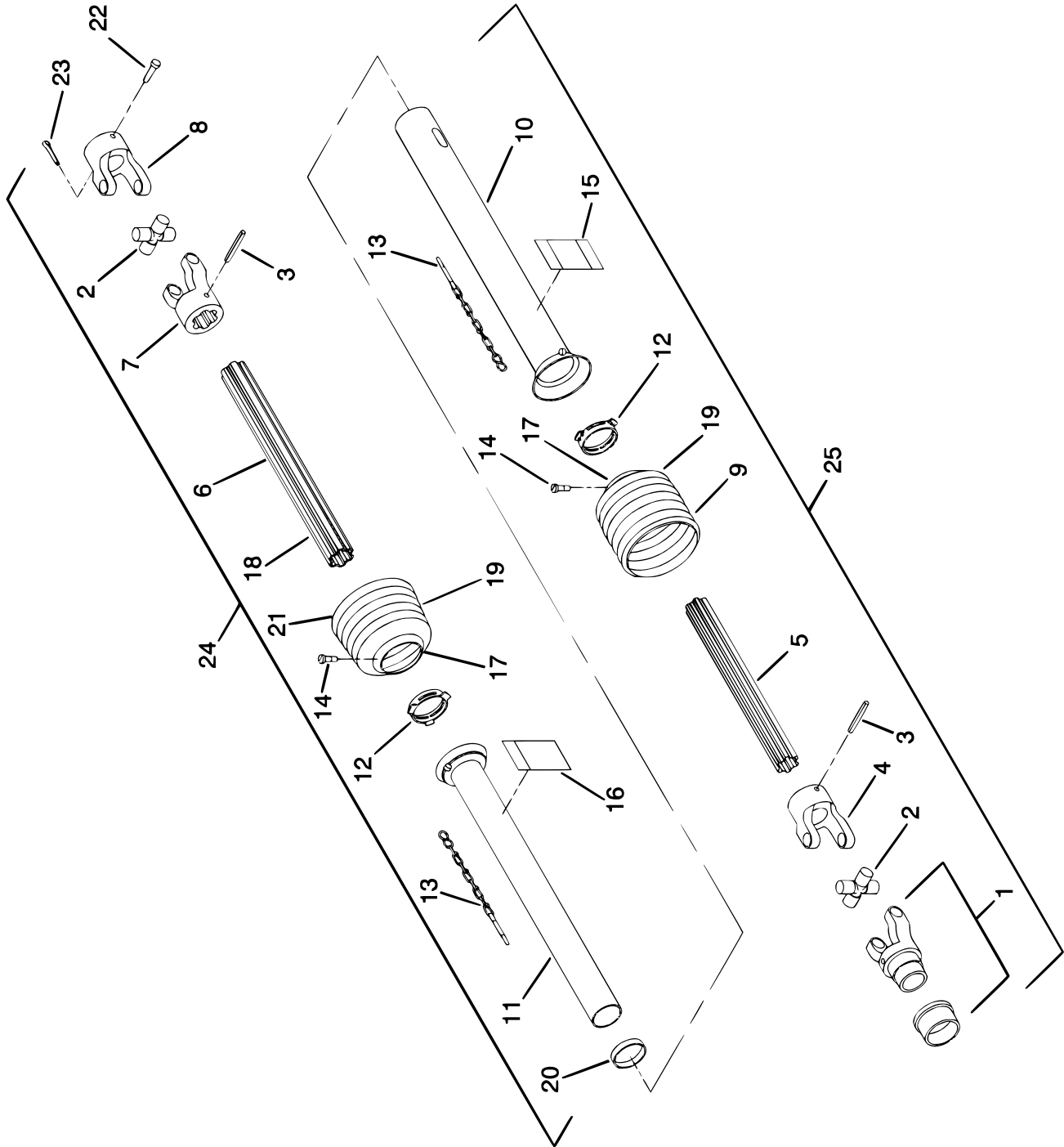


Do not allow spectators, especially children, in the working area.

**THIS PAGE
LEFT
INTENTIONALLY
BLANK**

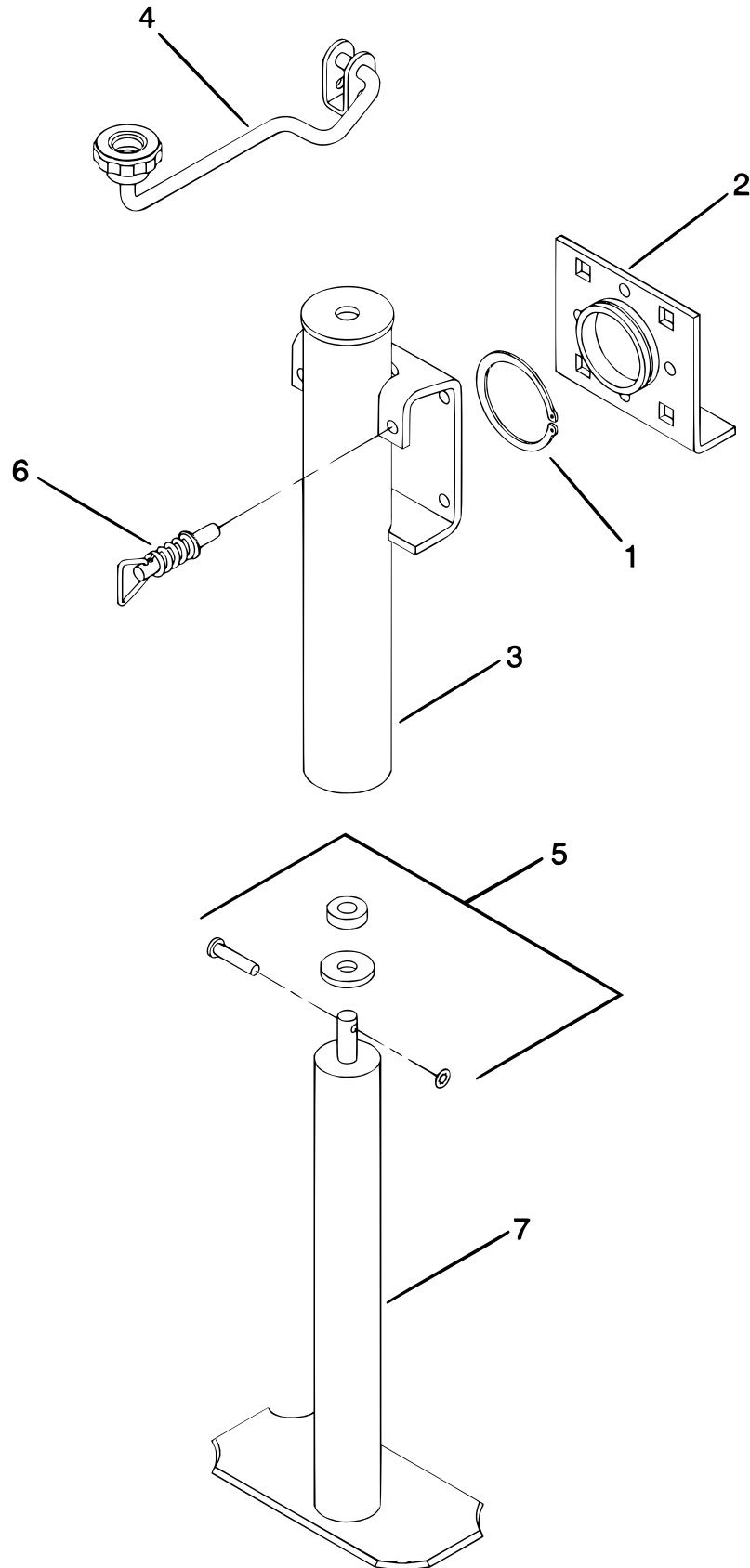
SECTION 1: GRINDER/MIXER

IMPLEMENT DRIVELINE ASSEMBLY, 540 RPM



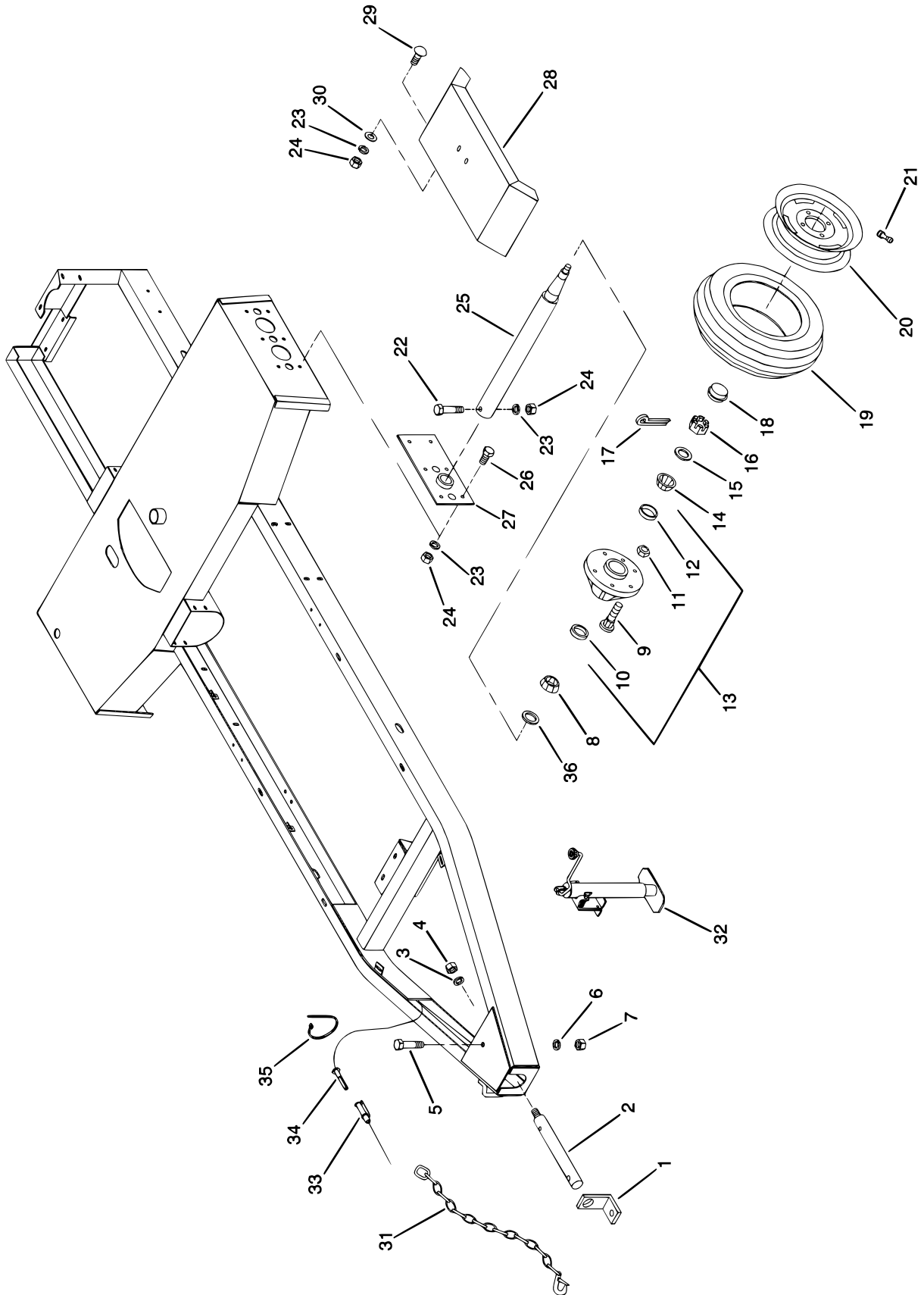
ITEM NO.	PART NUMBER	DESCRIPTION	QTY.
1	340130	YOKE, 1-3/8 – 6 SPL AS	1
2	182230	KIT, CROSS AND BEARING	2
3	196740	PIN, SPRING 10 X 90	2
4	196730	YOKE, INBOARD	1
5	355660	SHAFT, INNER PROFILE	1
6	355670	TUBE, OUTER PROFILE	1
7	196770	YOKE, INBOARD	1
8	349230	YOKE, 1-5/8 R8, 3/8 KEYWAY	1
9	340140	SHIELD, CONE 7 RIB	1
10	355680	TUBE, OUTER SHIELD	1
11	355690	TUBE, INNER SHIELD	1
12	182900	RING, SC 24 BEARING	2
13	182890	CHAIN, SAFETY	2
14	345980	SCREW, SHIELD (PART OF FIG ITEM #9)	2
15	340170	DECAL, DANGER ROTATING DRIVE LINE	1
16	340180	DECAL	1
17	349250	REINFORCED COLLAR	2
18	196890	ZERK, 3/16 DRIVE GREASE (PART OF FIG ITEM #6)	1
19	340120	KIT, SLIDE COLLAR	1
20	340190	SUPPORT BEARING	1
21	387770	SHIELD CONE 5 RIB	1
22	036480	PIN, CLEVIS	1
23	020700	PIN, COTTER	1

JACK ASSEMBLY



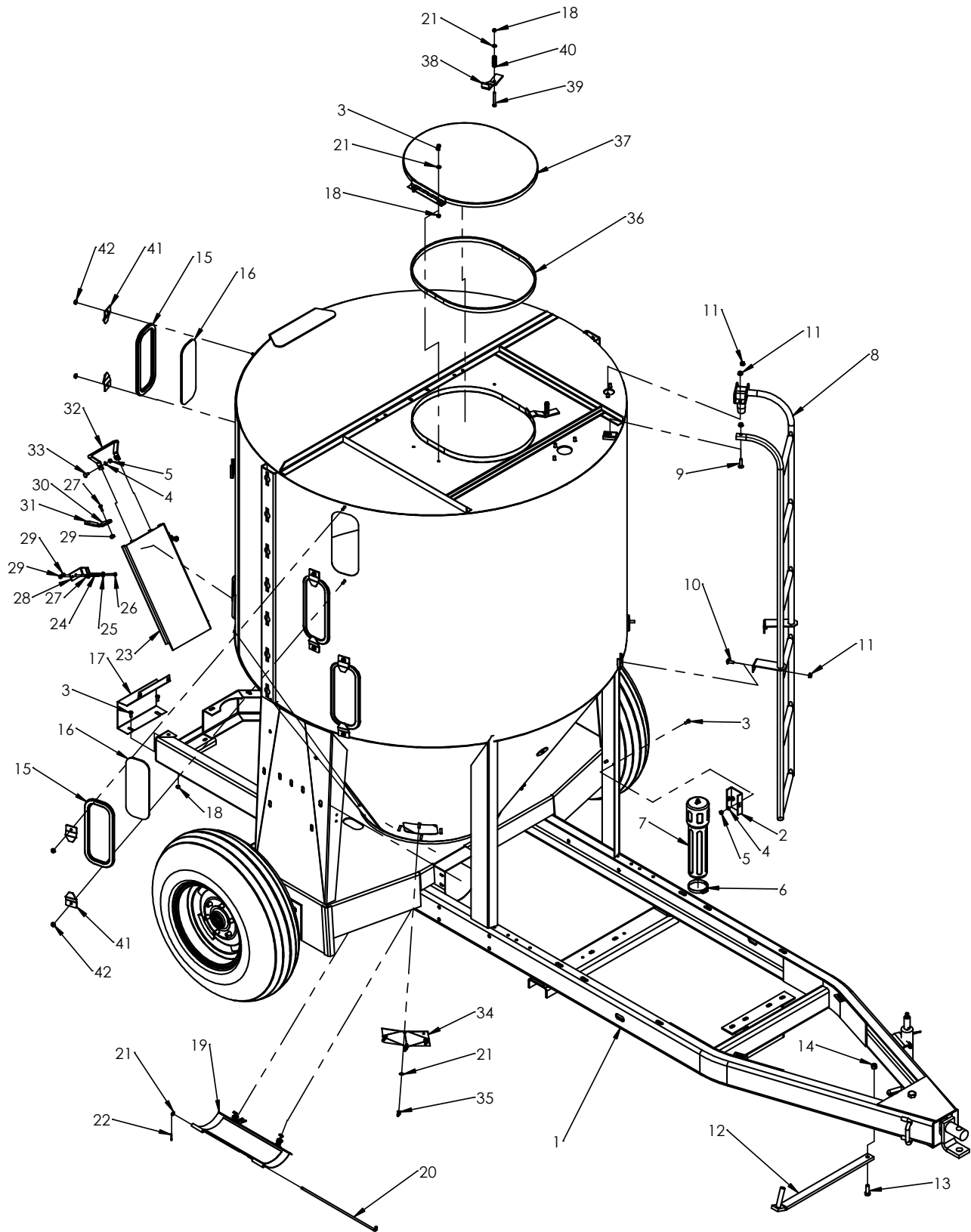
ITEM NO.	PART NUMBER	DESCRIPTION	QTY.
1	040290	RING, RETAINING, 5100-250	1
2	040300	BRACKET, SWIVEL	1
3	040370	TUBE AND BRACKET ASSEMBLY	1
4	151630	KIT, CRANK HANDLE ASSEMBLY	1
5	151640	KIT, THRUST WASHER ASSEMBLY	1
6	151650	PLUNGER ASSEMBLY	1
7	151670	TUBE ASSEMBLY, 14 INCH INNER	1

SPINDLE/HITCH/HUB ASSEMBLY



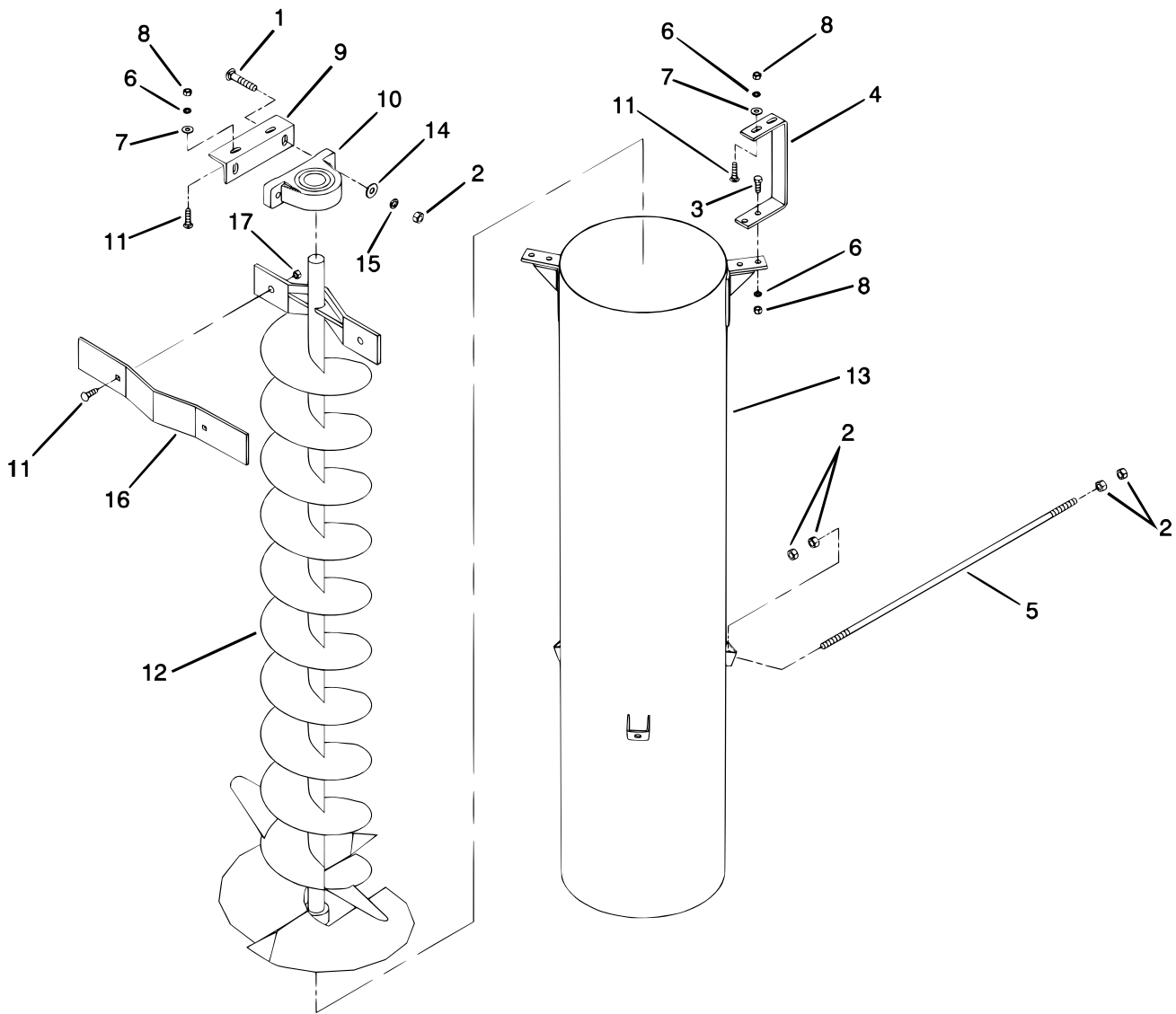
ITEM NO.	PART NUMBER	DESCRIPTION	QTY.
1	036740	CLEVIS, 1-7/8 HITCH	1
2	124780	BAR, HITCH (WITHOUT SCALE)	
2	219870	HITCH, 1.88-2 1/8 INCH CAL-5 PIN	1
3	003350	WASHER, LOCK 1 INCH	1
4	147310	NUT, HEX 1 INCH	1
5	990960	BOLT, HHCS 3/4 X 4.50 G5 ZN	1
6	036800	WASHER, LOCK 3/4	1
7	036750	NUT, HEX 3/4	1
8	016520	CONE, BRG. 1.38	2
9	020470	BOLT, STUD 1/2-20 X 1/50	12
10	018850	CUP, BRG.	1
11	020730	NUT, LUG 1/2-20 UNF.	12
12	018860	CUP, BEARING	2
13	016530	HUB ASSEMBLY 6-BOLT	2
14	012630	CONE, BRG. 1.25	2
15	020720	WASHER, FLAT 0.81 X 1.75 X 0.179	2
16	020710	NUT, SLOTTED HEX 3/4	2
17	026630	PIN, COTTER 5/32 X 1.50	2
18	035420	CAP, HUB 2.50 INCH	2
19	148640	TIRE, TUBELESS 10 X 15 8 PLY	2
20	018716	WHEEL, 8 X 15 6-BOLT GOLD	2
21	164420	VALVE STEM, W/ CORE AND CAP	2
22	1070015	BOLT, HHCS 1/2 X 4.50 G5 ZN	2
23	005370	WASHER, LOCK 1/2	14
24	005360	NUT, HEX 1/2	14
25	042270	SPINDLE, 2.12 X 31.31	
25	040581	SPINDLE, WEIGHTBAR	2
26	010730	BOLT, HHCS 1/2 X 1.25 G5 ZN	12
27	363910	BRACKET, MOUNTING 105 BU.	2
28	366250	FENDER, 105 BU.	2
29	005390	BOLT, CRG. 1/2 X 1.0 G5 ZN	4
30	005200	WASHER, FLAT 0.56 X 1.38 X 0.109	4
31	1765302	CHAIN, SAFETY 5 FT	1
32	040440	JACK ASSY. 151 DS COMPLETE	1
33	036780	CONNECTOR, POWER CORD	1
34	147060	CORD, 23 INCH DIGITAL POWER	1
35	149670	TIE, NYLON CABLE	14

TANK ASSEMBLY



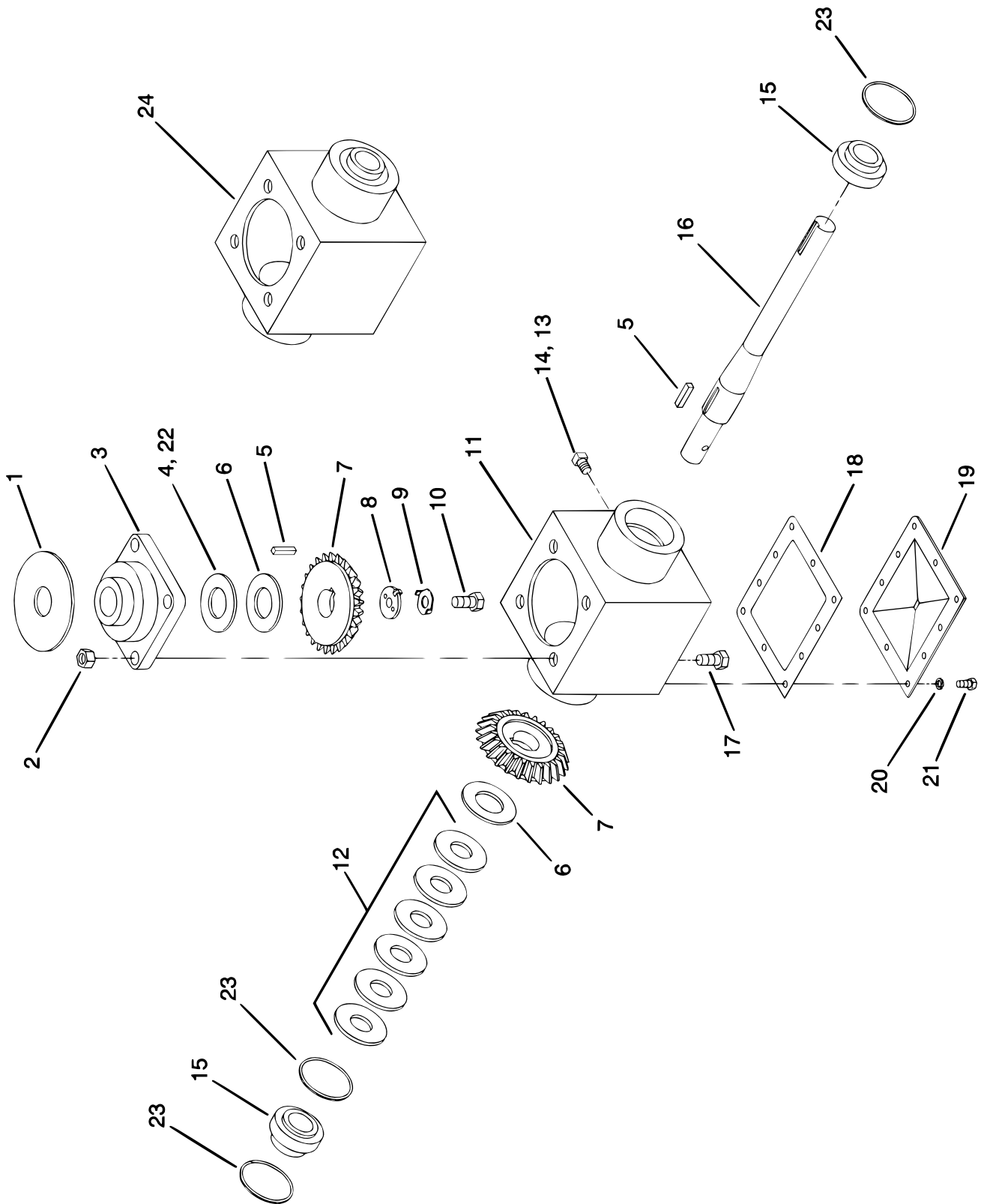
ITEM NO.	PART NUMBER	DESCRIPTION	QTY.
1	597150	FRAME & TANK WLDT,	1
2	458080	BRACKET, TUBE	1
3	012140	BOLT, HEX, 5/16" X 3/4" Z5	6
4	023620	WASHER, LOCK 5/16 ZN 5	4
5	023630	NUT, HEX 5/16-18 GR5 ZN	4
6	455160	CLAMP, HOSE	1
7	449190	TUBE, MANUAL HOLDER	1
8	365670	LADDER WLDT,	1
9	J03H1558	RHSNBOLT 0.375-16x1.5x1.5-N	1
10	170530	BOLT, CRG 3/8-16 x 1 SSN Gr5 ZN	2
11	020180	NUT, LOCK 3/8-16 Gr5 ZN HEX FLG	5
12	379470	HOLDER, PTO	1
13	014770	BOLT, HHCS .50-13X1.50	1
14	037540	Nut, Lock 1/2-13 GR5 ZN Nylon	1
15	012020	RUBBER, WINDOW	4
16	012050	GLASS, 4.5 X 12.0	4
17	365190	BRACKET, SHORT	1
18	025670	NUT, LOCK 5/16-18 HEX FLG	6
19	363990	COVER WLDT,	1
20	156970	PIN, 5/16 DIA	1
21	022920	WASHER, FLAT 5/16 STD	13
22	021210	PIN, COTTER 3/32 x 1.00	1
23	204670	DOOR WLDT,	1
24	011130	SPRING, SLIDE	2
25	023260	WASHER, FLAT 1/4 STD	2
26	e672368	BOLT, HHCS 1/4-20 x 1-1/4	2
27	012051	BOLT, HHCS 1/4-20 x 3/4	3
28	216020	HOLDER,	2
29	042370	NYLON INSERT LOCKNUT, 1/4-20 UNC	5
30	204690	ECCENTRIC WELD	1
31	050150	GRIP, RED HANDLE	1
32	204680	HANDLE, DOOR	1
33	012410	BOLT, CRG 5/16-18x3/4 SSN ZN	2
34	036090	DOOR, CLEANOUT	2
35	009790	Nut, Wing 5/16-18 Type A ZN	8
36	164020	SEAL, TANK LID	1
37	035661	LID & HINGE,	1
38	022930	BRACKET, LID	2
39	009800	HBOLT 0.3125-18x2.5x0.875-N	2
40	013080	SPRING, COMP.	2
41	575940	CLIP, MIX TANK	8
42	020190	Nut, Lock 5/16-18 Gr5 ZN Hex FLG	8

MIXING AUGER ASSEMBLY



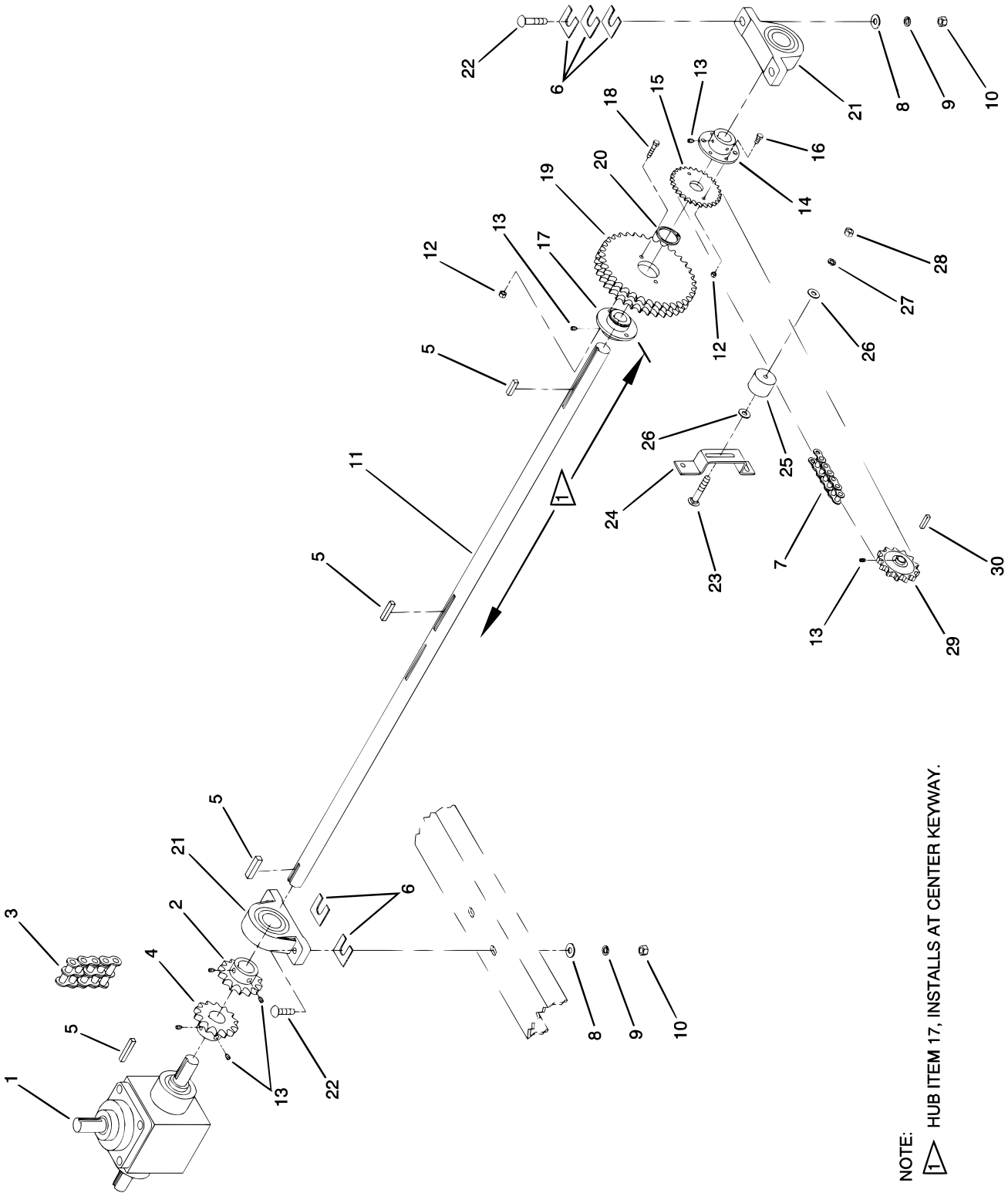
ITEM NO.	PART NUMBER	DESCRIPTION	QTY.
1	991200	BOLT, CRG 1/2-13 X 2 GR5, ZN	2
2	005360	NUT, HEX 1/2-13 GR5, ZN	14
3	011370	BOLT, HHCS 3/8-16 X 1-1/2 GR5	4
4	018680	SUPPORT, MAIN AUGER TUBE	2
5	021020	ROD, MIX AUGER TUBE	3
6	021180	WASHER, LOCK 3/8 INCH	10
7	021190	WASHER, FLAT 0.438 X 1.0 X 0.083	6
8	027260	NUT, HEX 3/8-16 GR5, ZN	10
9	516090	HANGER, BEARING	1
10	013960	BEARING, PB 1-5/8 CI HSG W/ LC	1
11	035180	BOLT, CRG 3/8-16 X 1-1/4 GR5	8
12	363970	AUGER WLDT., MIXING 105 BU.	1
13	363880	TUBE, MIXING AUGER 105 BU.	1
14	005200	WASHER, FLAT 1/2 STD.	2
15	005370	WASHER, LOCK 1/2	2
16	126660	PADDLE, MIXING AUGER	1
17	020180	NUT, LOCK 3/8-16 HEX FLG	2

GEARBOX ASSEMBLY, MIXER



ITEM NO.	PART NUMBER	DESCRIPTION	QTY.
1	010570	PLATE, BEARING PROTECTOR	1
2	037540	NUT, LOCK 1/2 G5 ZN	4
3	020270	BEARING, FLANGE 1-5/8 INCH	1
4	020290	WASHER, FLAT 1.65 X 2.12 X 0.134	1
5	020760	KEY, SQ. 5/16 X 1.25	2
6	020300	WASHER, FLAT 1.65 X 2.12 X 0.048	2
7	020280	GEAR, BEVEL 1-5/8	2
8	020310	WASHER, SPECIAL LOCK	1
9	010720	WASHER, BOLT LOCK	1
10	010730	BOLT, HHCS 1/2 X 1.25	1
11	020330	GEARBOX, MACHINED, A-33	1
12	529050	WASHER, 1.44 X 2.25 X 0.048	6
13	1120123	PIN, COTTER 1/8 X 1-1/4	1
14	020341	PLUG, PIPE 3/4	1
15	529090	BEARING, BALL, 1-7/16 CYL	2
16	529100	SHAFT, GEARBOX 1.44 X 18.0	1
17	013790	BOLT, HHCS 1/2 X 2.25 G5 ZN	4
18	010740	GASKET, GEARBOX	1
19	010750	COVER, GEARBOX	1
20	023620	WASHER, LOCK 5/16 ZN	10
21	012140	BOLT, HHCS 5/16 X 0.75 G5 ZN	10
22	126940	WASHER, FLAT 1-21/32 X 2.0 X 9/64	1
23	020350	RING, RETAINING INTERNAL	3
24	529080	GEARBOX, W/ BEARINGS	1
25	961960	PERMATEX ULTRA BLUE	AR
26	963130	90W GEAR OIL SAE	AR

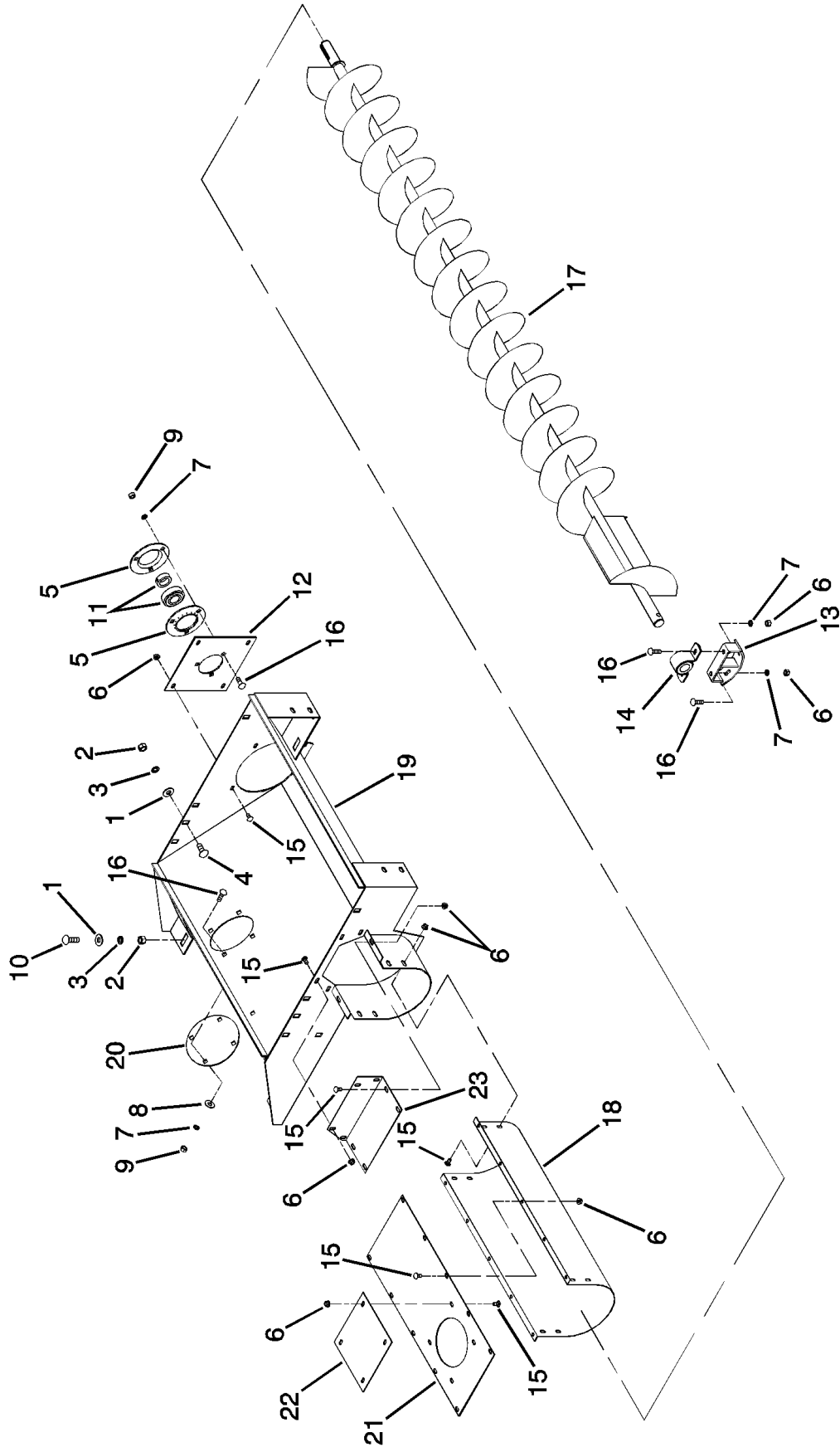
DRIVE & GEARBOX ASSEMBLY, LOWER



NOTE:  HUB ITEM 17, INSTALLS AT CENTER KEYWAY.

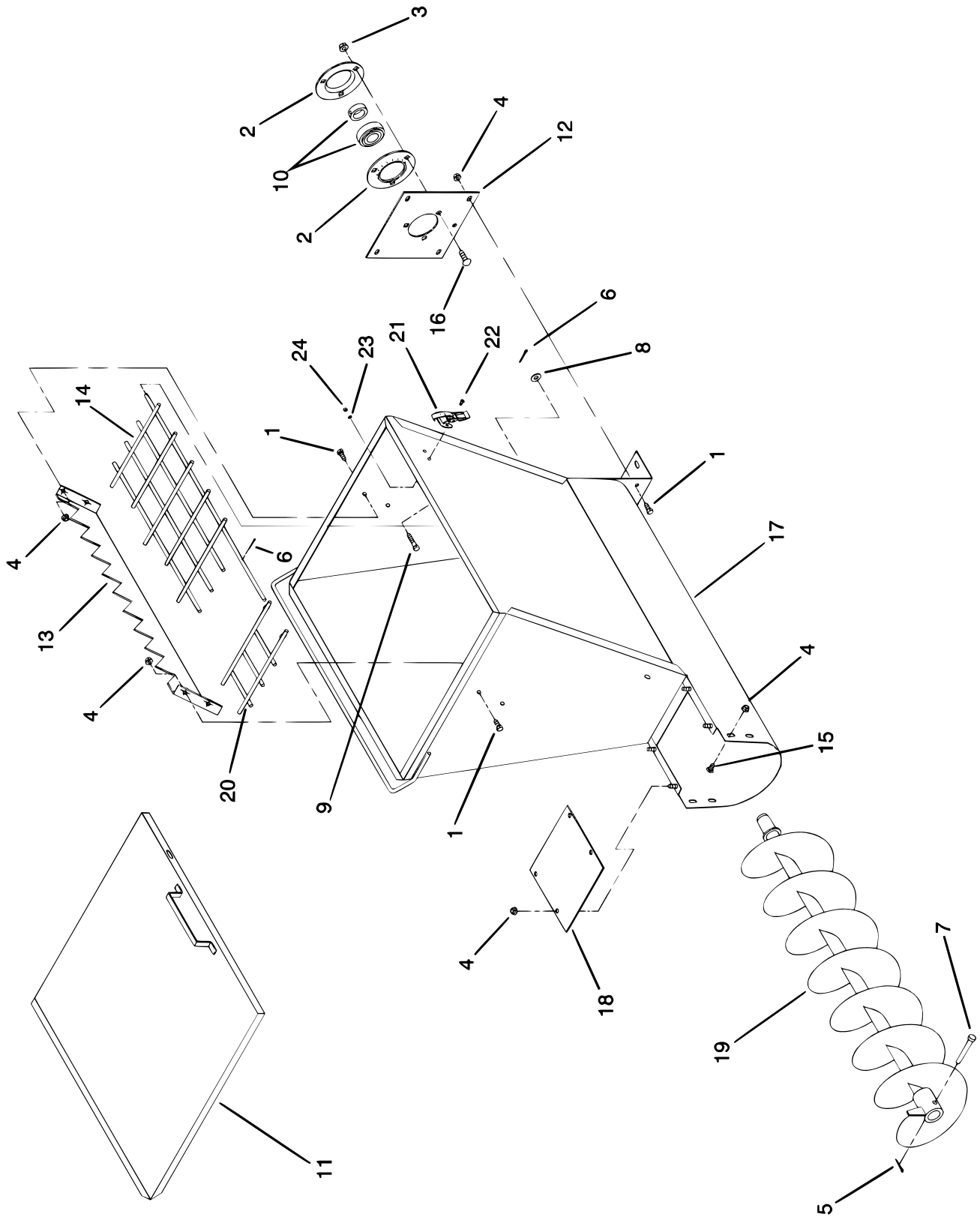
ITEM NO.	PART NUMBER	DESCRIPTION	QTY.
1	529070	GEARBOX ASSY, 5105/5165 GM	1
2	461150	SPROCKET, 60B14 COUPLER	1
3	163770	CHAIN ASSY, 60-2 14P INC CONN	1
4	529110	SPROCKET, 60B14 1.44 I.D.	1
5	021530	KEY, SQ. 3/8 X 2	4
6	I486454R1	SHIM, 0.030 INCH BLADE	8
7	214150	CHAIN, ROLLER 2040 X 33P	1
8	005200	WASHER, FLAT 0.562 X 1.38 X 0.109 ZN	4
9	005370	WASHER, LOCK 1/2 INCH ZN	4
10	005360	NUT, HEX 1/2-13 GR5, ZN	4
11	461870	SHAFT, MIXER DRIVE	1
12	042370	NUT, HEX LOCK 1/4-20 GA, CZ	4
13	010990	SCREW, AHSS 5/16-18 X 0.31 PL	8
14	461890	HUB WLDT., SHEAR 1.625 BORE	1
15	461880	PLATE, SPRKT. 40A28 1-5/8 ID	1
16	042960	BOLT, HHCS 1/4-20 X 1.0 GR5	2
17	469750	HUB WLDT., SHEAR 1.625 I.D.	1
18	047000	BOLT, HHCS 1/4-20 X 1-1/2 GR5	2
19	529200	SPROCKET, D60A36 DOUBLE	1
20	040290	RING, RETAINING	1
21	013960	BEARING., 1-5/8 PB, CI HSG W/ LC	2
22	991200	BOLT, CRG 1/2-13 X 2.0 GR5	4
23	117550	BOLT, CRG 3/8-16 X 2-1/4 GR5	1
24	365890	BRACKET, MILL TO MIXER IDLER	1
25	041440	TIGHTENER, CHAIN	1
26	021190	WASHER, FLAT 0.438 X 1.0 X 0.083	2
27	021180	WASHER, LOCK 3/8 INCH	1
28	027260	NUT, HEX 3/8-16 GR5	1
29	021860	SPROCKET, 40B24 1.12 BORE	1
30	020760	KEY, PAR, 5/16 SQ. X 1.125	1

MILL TO MIXER AUGER ASSEMBLY



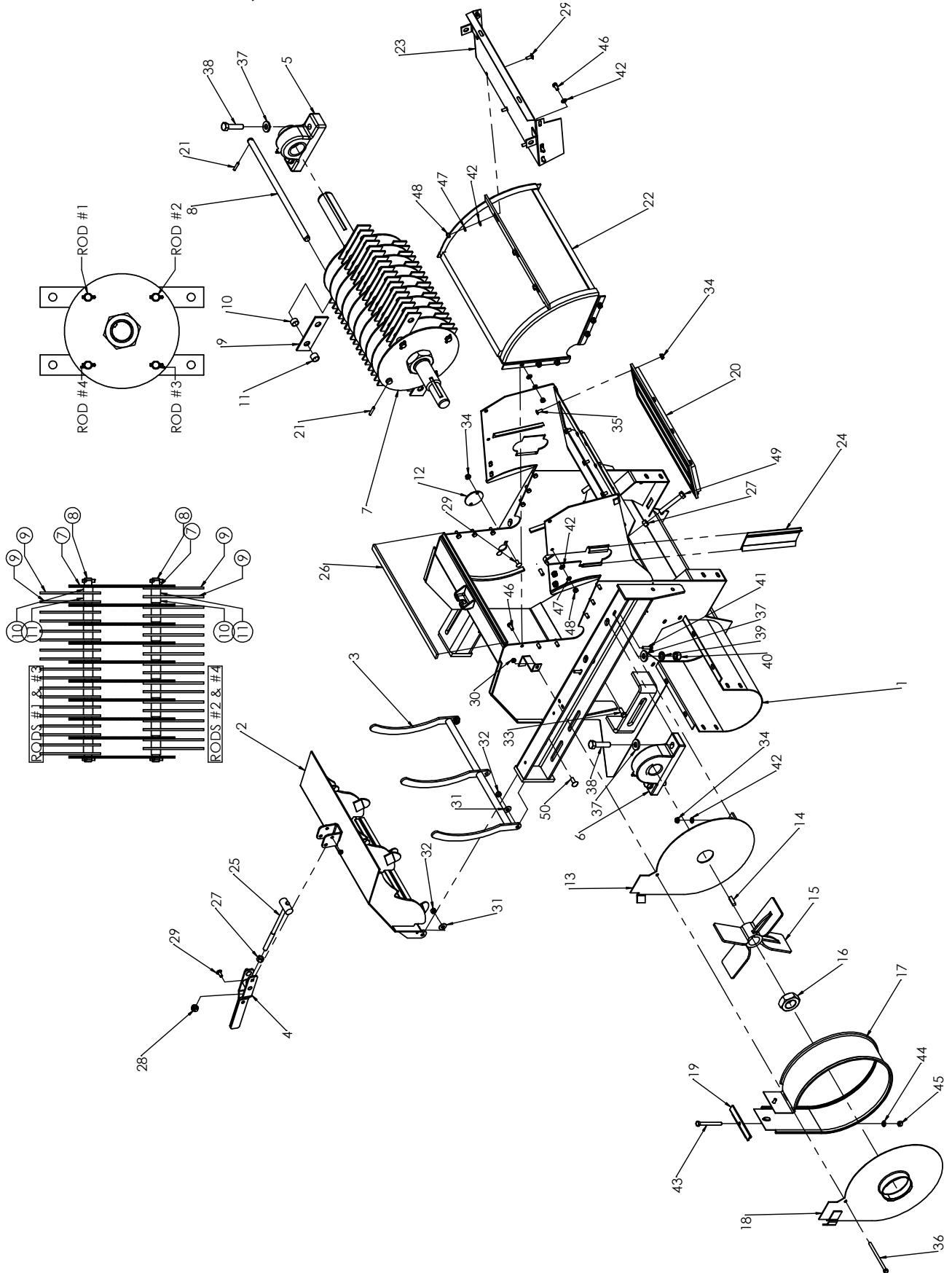
ITEM NO.	PART NUMBER	DESCRIPTION	QTY.
1	005200	WASHER, FLAT 0.562 X 1.38 X 0.109 ZN	14
2	005360	NUT, HEX 1/2-13 GR5 ZN	14
3	005370	WASHER, LOCK 1/2 INCH ZN	14
4	005390	BOLT, CRG. 1/2-13 X 1.0 SSN GR5 ZN	10
5	019150	FLANGE, 1.12 BRG 3-BOLT ROUND	2
6	020190	NUT, HEX FLG. LK 5/16-18	28
7	021180	WASHER, LOCK 3/8 INCH	11
8	021190	WASHER, FLAT 0.438 X 1.0 X 0.083 ZN	4
9	027260	NUT, HEX 3/8-16 GR5 ZN	11
10	030470	BOLT, CRG. 1/2-13 X 1.25 SSN GR5 ZN	4
11	108850	BEARING, 1.12 SOD SPRING LOCK	1
12	128040	PLATE, HOLE COVER	1
13	165020	BRACKET WLDT., BEARING HOLDER	1
14	165030	BEARING, 1.12 SPLIT WOOD PB	1
15	169340	BOLT, CRG. 5/16-18 X 0.50 SSN GR2 ZN	28
16	170530	BOLT, CRG. 3/8-16 X 1.0 SSN GR5 ZN	11
17	363750	AUGER WLDT., MILL TO MIXER	1
18	364250	TROUGH, LOWER PAN TO TANK	1
19	365330	PAN WLDT., LOWER	1
20	365390	COVER, LOWER PAN	1
21	365880	CAP, TROUGH	1
22	365900	PLATE, CAP	1
23	365950	CAP, ANGLE	1
24	961990	CAULKING, TUBE MAGIC SEAL CLEAR	AR

SUPPLEMENT HOPPER ASSEMBLY



ITEM NO.	PART NUMBER	DESCRIPTION	QTY.
1	006880	BOLT, HHCS 5/16-18 X 0.62 GR5 ZN	6
2	019150	FLANGETTE, BRG 1.12 3 BOLT RD	2
3	020180	NUT, LOCK 3/8-16 HEX FLG GR5	3
4	020190	NUT, LOCK 5/16-18 HEX FLG G5	16
5	020700	PIN, COTTER 5/32 X 1.0 CHISEL	1
6	021210	PIN, COTTER 3/32 X 1.0 ZN	2
7	021430	PIN, CLEVIS 3/8 X 2.25 GR5 ZN	1
8	022920	WASHER, FLAT 0.375 X 0.875 X 0.083 ZN	1
9	025760	BOLT, HHCS 5/16-18 X 1.5 GR5 ZN	2
10	108850	BEARING, 1.12 SOD SPRING LOCK	1
11	126540	LID WLDT., SUPPLEMENT HOPPER	1
12	128040	PLATE, HOLE COVER	1
13	470950	CUTTER, SACK	1
14	560700	GRATE, SUPPLEMENT HOPPER	1
15	169340	BOLT, CRG 5/16-18 X 0.50 SSN GR2	4
16	170530	BOLT, CRG 3/8-16 X 1.0 SSN GR5	3
17	470960	HOPPER WLDT., SUPPLEMENT	1
18	365140	COVER, SUPPLEMENT HOPPER	1
19	365150	AUGER WLDT., CONCENTRAT TANK	1
20	560710	GRATE, ANGLED HOPPER	1
21	1669184R1	CLAMP, SHIELD LATCH	1
22	1159920	SCREW, PHMS 10-24 X 1/2	2
23	120600	WASHER, LOCK #10	2
24	120590	NUT, HEX 10-24	2

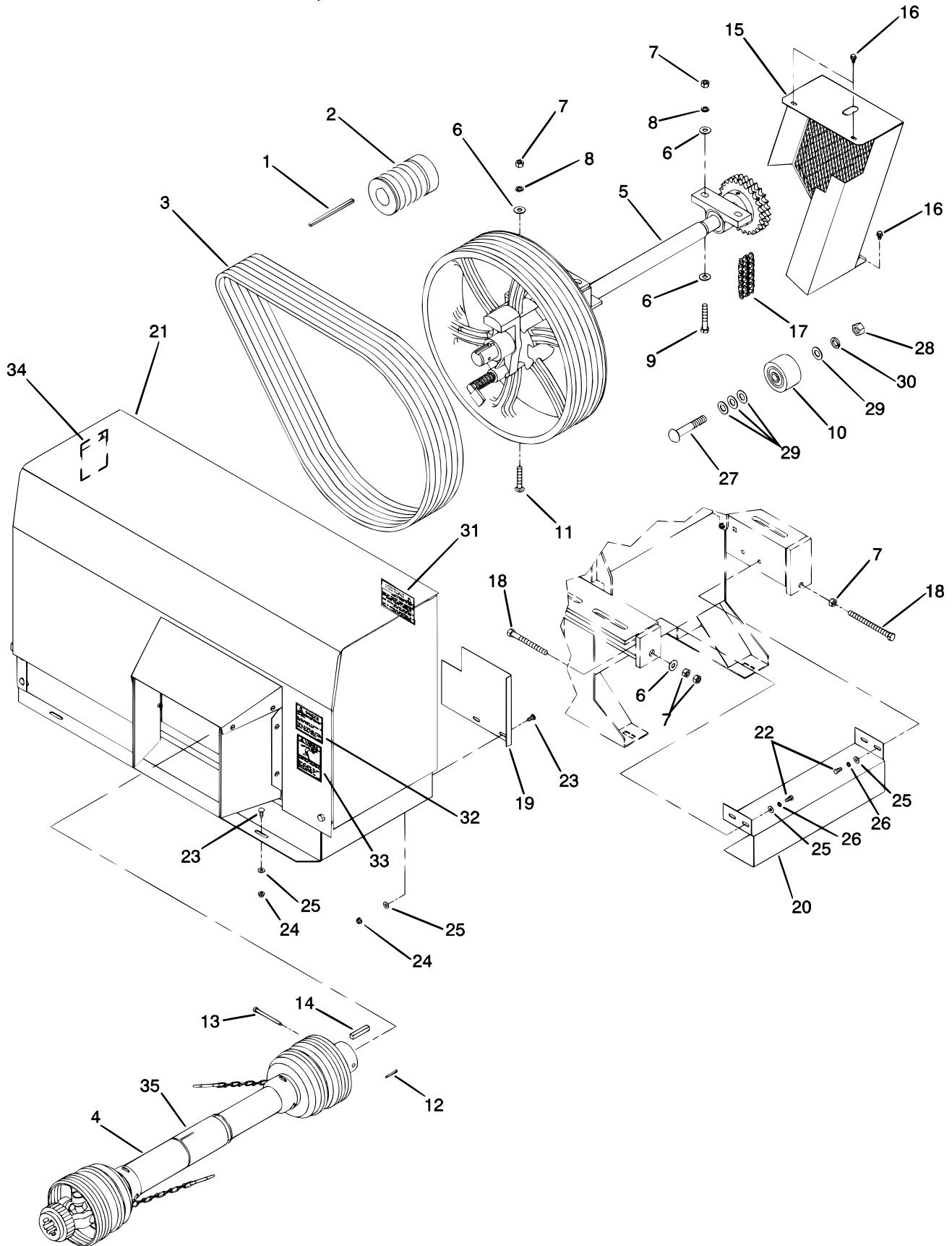
HAMMERMILL ASSEMBLY, 20"



ITEM NO.	PART NUMBER	DESCRIPTION	QTY.
1	553800	HOUSING WLDT, 20"	1
2	362670	DOOR WLDT,	1
3	362720	SUPPORT WLDT,	1
4	151920	HANDLE, LOCKING WLDT	1
5	13950	PB BEARING, 2.0 W/LC	1
6	13420	PB BEARING, 2.0 BORE	1
7	20570	BW ASM	1
8	13470	PIN, HAMMERMILL 3/4 x 23 1/2	4
9	581700	HAMMER KNIFE,	72
10	581710	SPACER, SPLIT .50	36
11	581720	SPACER, SPLIT .69	36
12	12920	PLATE, HAMMER	1
13	170980	SIDE PLATE WLDT, FRONT	1
14	13510	KEY, SQ, .38 X 1.25	1
15	13520	FAN, BLOWER	1
16	13530	NUT, JAM 1 1/2-12 GR 5 PLN	1
17	171000	WRAPPER WLDT,	1
18	170990	SIDE PLATE WLDT, REAR	1
19	170970	CLAMP, PULL DOWN	1
20	9740	MAGNET, #4	1
21	12550	Pin, Expan 1/4 x 1-1/4 ZN (Tension Roll)	8
22	362760	BW ASM	1
23	9820	BW ASM	1
24	13360	SLIDE ASSY	2
25	127860	T-BAR HANDLE WLDT	1
26	962620	BW PART	1
27	5360	NUT, HEX, 1/2" Z5	4
28	127890	HLNUT 0.5000-13-D-N	1
29	12410	BOLT, CRG 5/16-18x3/4 SSN ZN	7
30	25670	NUT, LOCK 5/16-18 HEX FLG	3
31	21190	WASHER, FLAT 3/8 STD 7/16x x5/64 ZN	4
32	23060	NUT, LOCK 3/8-16 2 WAY	4
33	12260	BOLT, HHCS 3/8-16 x 1.00 GR5 ZN	2
34	20190	Nut, Lock 5/16-18 Gr5 ZN Hex FLG	12
35	28230	SCREW, THRD 5/16-18 x .75	8
36	12820	HBOLT 0.3125-18x1x0.875-N	1
37	127920	FW .656 x 1.38 X .179	8
38	23110	HHCS 5/8-11 x 2.5 GR5 ZN	4
39	20440	WASHER, LOCK 5/8	4
40	20450	NUT, HEX 5/8-11	4
41	1111267	RHSSNBOLT 0.3125-18x1x1-N	2
42	22920	WASHER, FLAT 5/16 STD	29
43	990870	BOLT, HHCS 3/8-16X3 1/2	1
44	21180	WASHER, LOCK 3/8 ZN	1
45	27260	NUT, HEX 3/8-16 GR5 ZN	1
46	12140	BOLT, HEX, 5/16" X 3/4" Z5	18
47	23620	WASHER, LOCK 5/16 ZN 5	21
48	23630	NUT, HEX 5/16-18 GR5 ZN	21
49	34650	BOLT, HHCS 1/2-13x3-1/2 GR5 ZN	3
50	170530	BOLT, CRG 3/8-16 x 1 SSN Gr5 ZN	1

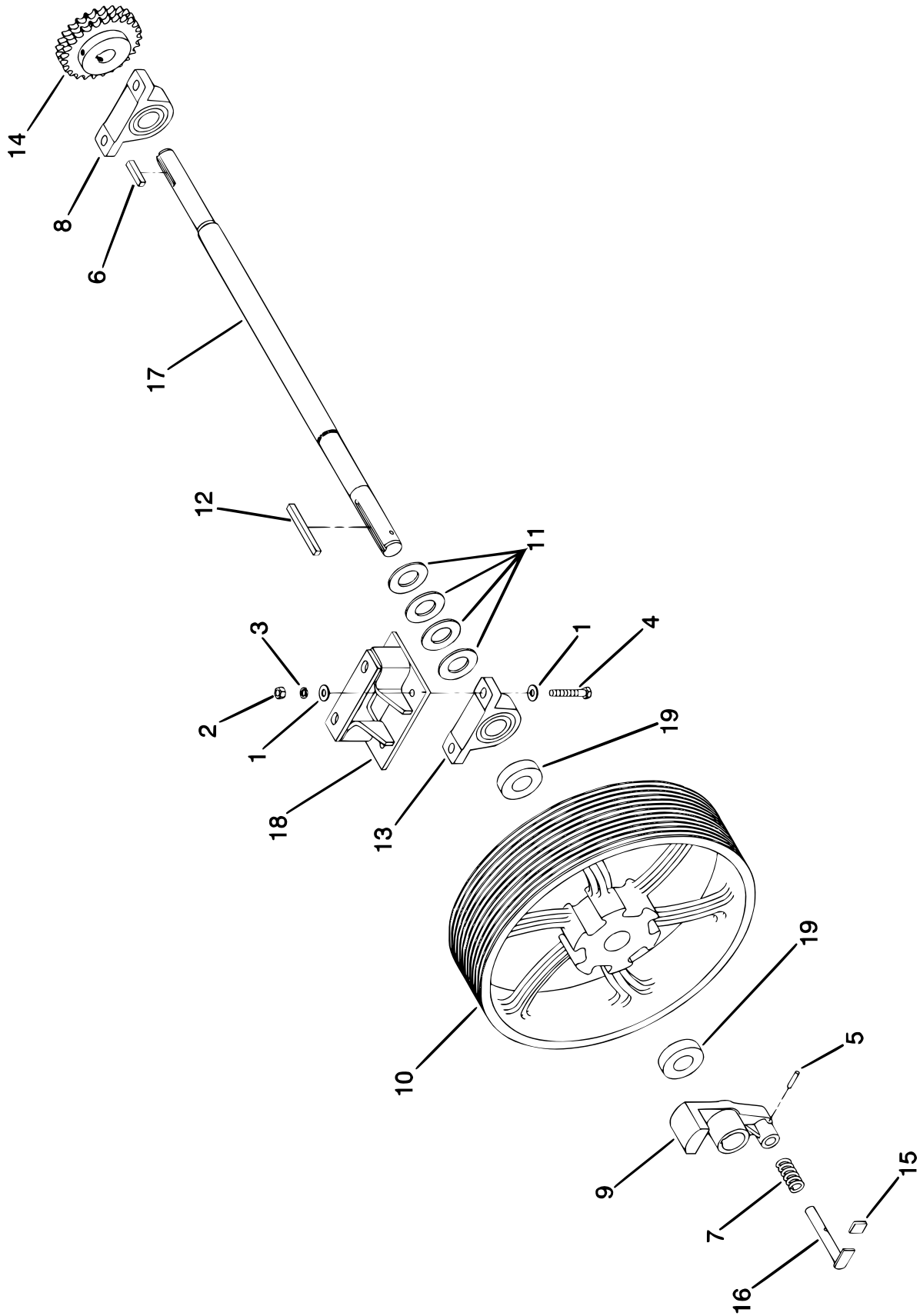
ITEM NO.	PART NUMBER	DESCRIPTION	QTY.
1	005200	WASHER, FLAT 0.562 X 1.38 X 0.109 ZN	6
2	005360	NUT, HEX 1/2-13 GR5 ZN	6
3	005370	WASHER, LOCK 1/2 INCH ZN	6
4	005390	BOLT, CRG 1/2-13 X 1.0 SSN GR5	2
5	006880	BOLT, HHCS 5/16-18 X 0.62 GR5 ZN	2
6	009790	NUT, WING 5/16-18 TYPE A ZN	2
7	009800	BOLT, HHCS 5/16-18 X 2.5 GR5 ZN	2
8	013080	SPRING, COMP. 12 GA. X 0.62 X 1.88	2
9	022920	WASHER, FLAT 0.38 X 0.88 X 0.083 ZN	8
10	020190	NUT, HEX FLG LK 5/16-18	29
11	035290	BOLT, CRG 5/16-18 X 0.62 SSN GR2	1
12	037880	RACK	1
13	158970	FLAP, THROAT	1
14	158980	PLATE, LARGE FEED GRATE	1
15	597000	HAMMERMILL ASSY, 20 INCH ONE PIECE	1
16	366630	BASKET WLDT, 20 INCH	1
17	013120	HOOK, SCREEN	1
18	143710	PIN, SNAPPER 0.38 X 2.5 ZN	2
19	157670	SEALING STRIP, 500	2
20	213900	STRIP, SEALING 0.25 X 0.62 X 20.0	2
21	196140	AUGER WLDT, MILL TO MIXER	1
22	364250	TROUGH, LOWER PAN TO TANK	1
23	365880	CAP, TROUGH	1
24	019150	FLANGE, 1.12 BRG 3-BOLT ROUND	2
25	108850	BEARING, 1.12 SOD SPRING LOCK	1
26	128040	PLATE, HOLE COVER	1
27	165020	BRACKET WLDT, BEARING HOLDER	1
28	165030	BEARING, 1.12 SPLIT WOOD PB	1
29	170530	BOLT, CRG 3/8-16 X 1.0 SSN GR5	7
30	021180	WASHER, LOCK 3/8 INCH	7
31	027260	NUT, HEX 3/8-16 GR5 ZN	7
32	030470	BOLT, CRG 1/2-13 X 1.25 SSN GR5	4
33	169340	BOLT, CRG 5/16-18 X 0.50 SSN GR2	26
-34A	004820	SCREEN, 20 INCH HAMMERMILL – 1/8 INCH	
-34B	004830	SCREEN, 20 INCH HAMMERMILL – 5/32 INCH	
-34C	004840	SCREEN, 20 INCH HAMMERMILL – 3/16 INCH	
-34D	004850	SCREEN, 20 INCH HAMMERMILL – 1/4 INCH	
-34E	004860	SCREEN, 20 INCH HAMMERMILL – 5/16 INCH	
-34F	004870	SCREEN, 20 INCH HAMMERMILL – 3/8 INCH	
-34G	004890	SCREEN, 20 INCH HAMMERMILL – 1/2 INCH	
-34H	004900	SCREEN, 20 INCH HAMMERMILL – 5/8 INCH	
-34I	004910	SCREEN, 20 INCH HAMMERMILL – 3/4 INCH	
34J	004930	SCREEN, 20 INCH HAMMERMILL – 1.0 INCH	
-34K	004940	SCREEN, 20 INCH HAMMERMILL – 1-1/4 INCHES	
-34L	004950	SCREEN, 20 INCH HAMMERMILL – 1-1/2 INCHES	
-34M	004960	SCREEN, 20 INCH HAMMERMILL – 2.0 INCHES	

HAMMERMILL DRIVE ASSEMBLY, 20" 540 RPM



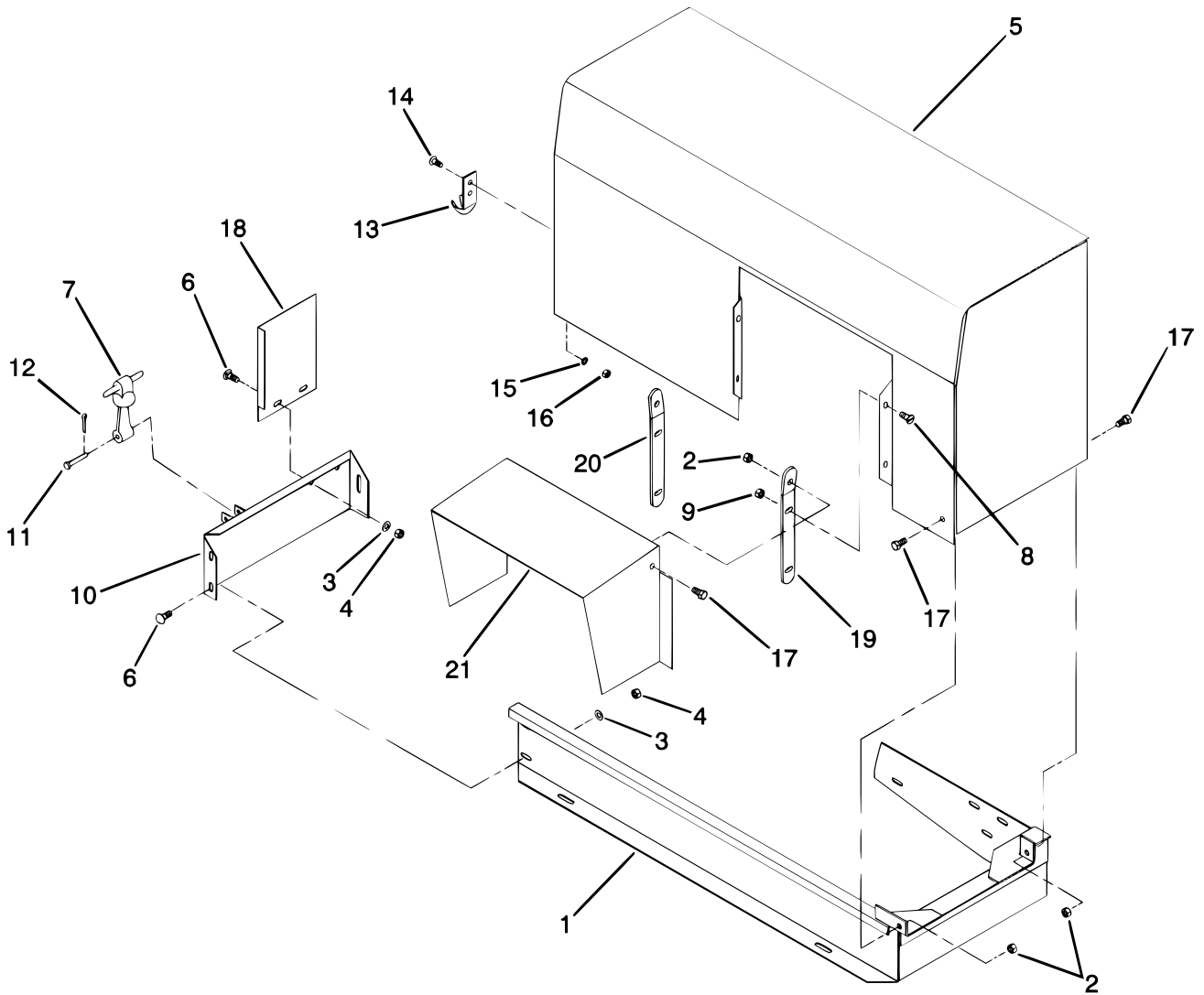
ITEM NO.	PART NUMBER	DESCRIPTION	QTY.
1	110390	KEY, STANDARD TAPERED	1
2	165500	PULLEY, 12 GROOVE	1
3	172600	BELT, 2/3V850 SET OF 6	1
4	354640	PTO ASSY, 540 1-3/8 -6B	1
5	560060	JACKSHAFT ASSY, 540 20 INCH MILL	1
6	005200	WASHER, FLAT 0.562 X 1.38 X 0.109 ZN	10
7	005360	NUT, HEX 1/2-13 GR5, ZN	12
8	005370	WASHER, LOCK 1/2 INCH ZN	6
9	007080	BOLT, HHCS 1/2-13 X 2.50 GR5, ZN	2
10	529230	IDLER, ROLLER 3.5 OD X 2.12 W X 0.75 BORE	1
11	E096046	BOLT, CRG. 1/2-13 X 1.5 GR5, ZN	4
12	034360	PIN, COTTER 1/8 X 1.0	1
13	036480	PIN, 5/16 X 3.0 CLEVIS ZN	1
14	021530	KEY, SQ 3/8 X 2	1
15	528960	SHIELD WLDT, CENTER DRIVE	1
16	JN10212	SCREW, FLG 5/16-18 X 3/4 GR5 ZN	3
17	529240	CHAIN, ROLLER RC60-2 X 76 PITCH	1
	163780	CHAIN, CONNECTING LINK 60-2	
18	013800	BOLT, HHCS 1/2-13 X 5.0 GR5, ZN	2
19	365270	SHIELD, BACK	1
20	365810	SHIELD, JACKSHAFT 20 INCH MILL	1
21	529260	SHIELD ASSEMBLY, MAIN	1
22	012140	BOLT, HHCS 5/16-18 X 0.75 GR5, ZN	4
23	012410	BOLT, CRG 5/16-18 X 0.75 GR5, ZN	4
24	020190	NUT, HX FLG LK 5/16-18 GR5, ZN	4
25	022920	WASHER, FLAT 0.38 X 0.88 X 0.083	8
26	023620	WASHER, LOCK 5/16 INCH ZN	4
27	218120	BOLT, CRG 3/4-10 X 4 GR5, ZN	1
28	036750	NUT, HEX 3/4-10 ZN	1
29	1131017	WASHER, FLAT 3/4 SAE	4
30	036800	WASHER, LOCK 3/4 INCH ZN	1
31	467450	DECAL, WARNING MOVING PARTS HAZARD	1
32	384030	DECAL, DANGER 565 RPM	1
33	368350	DECAL, WARNING FLYWHEEL DR.	1
34	368040	DECAL, CAUTION SAFETY INST.	1
35	268860	DECAL, DANGER ROTATIONG DRIVELINE	1

HAMMERMILL JACKSHAFT ASSEMBLY, 20" 540 RPM



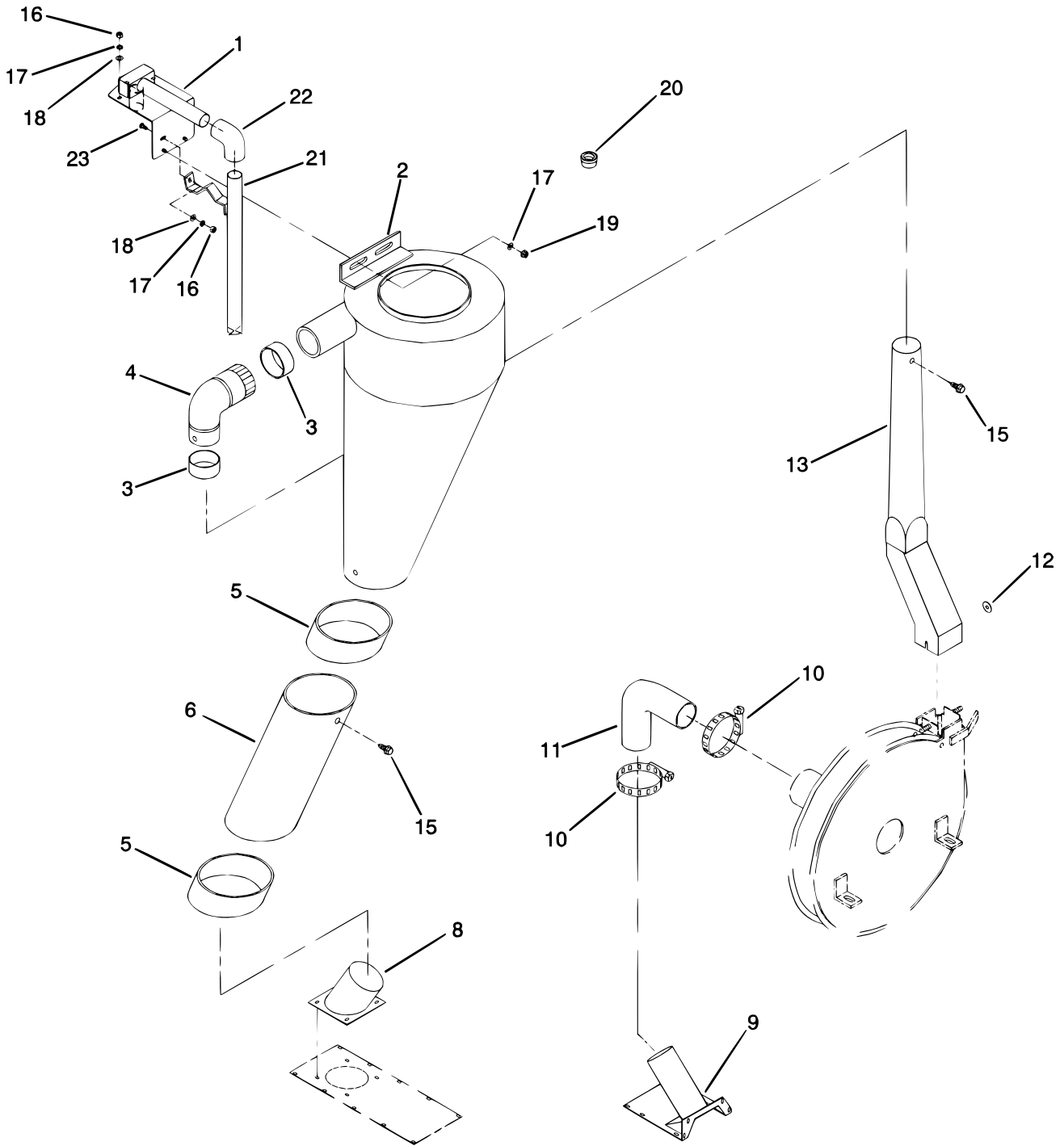
ITEM NO.	PART NUMBER	DESCRIPTION	QTY.
1	005200	WASHER, FLAT 0.562 X 1.38 X 0.109 ZN	4
2	005360	NUT, HEX 1/2-13 GR5, ZN	2
3	005370	WASHER, LOCK 1/2 INCH ZN	2
4	007080	BOLT, HHCS 1/2-13 X 2.50 GR5, ZN	2
5	012550	PIN, EXPANSION 0.25 X 1.25	1
6	021530	KEY, PAR, 0.38 INCH SQ. X 2.0	1
7	013580	SPRING, COMPRESSION DR. CLUTCH	1
8	013670	BEARING, 1.44 PB, CI HSG W/ LC	1
9	013860	CLUTCH, A46 CASTING 1-5/8	1
10	016750	PULLEY, 22.6 12 GROOVE, BAL W/ BRG	1
11	126940	WASHER, FLAT 1.65 X 2.0 X 0.134	4
12	151280	KEY, PAR, 0.38 INCH SQ. X 5.0	1
13	165480	BEARING, 1.62 SOD W/ LC DBL ROW	1
14	529210	SPROCKET, D60B26	1
15	204430	GRIP, HANDLE, RED 0.12 X 1.0 X 1.0	1
16	241570	PIN ASSY, LOCKING	1
17	560070	JACKSHAFT, 20 INCH HM 5105	1
18	470410	SUPPORT, BEARING	1
19	013930	BEARING, 1.62 BORE	2

MAIN SHIELD ASSEMBLY



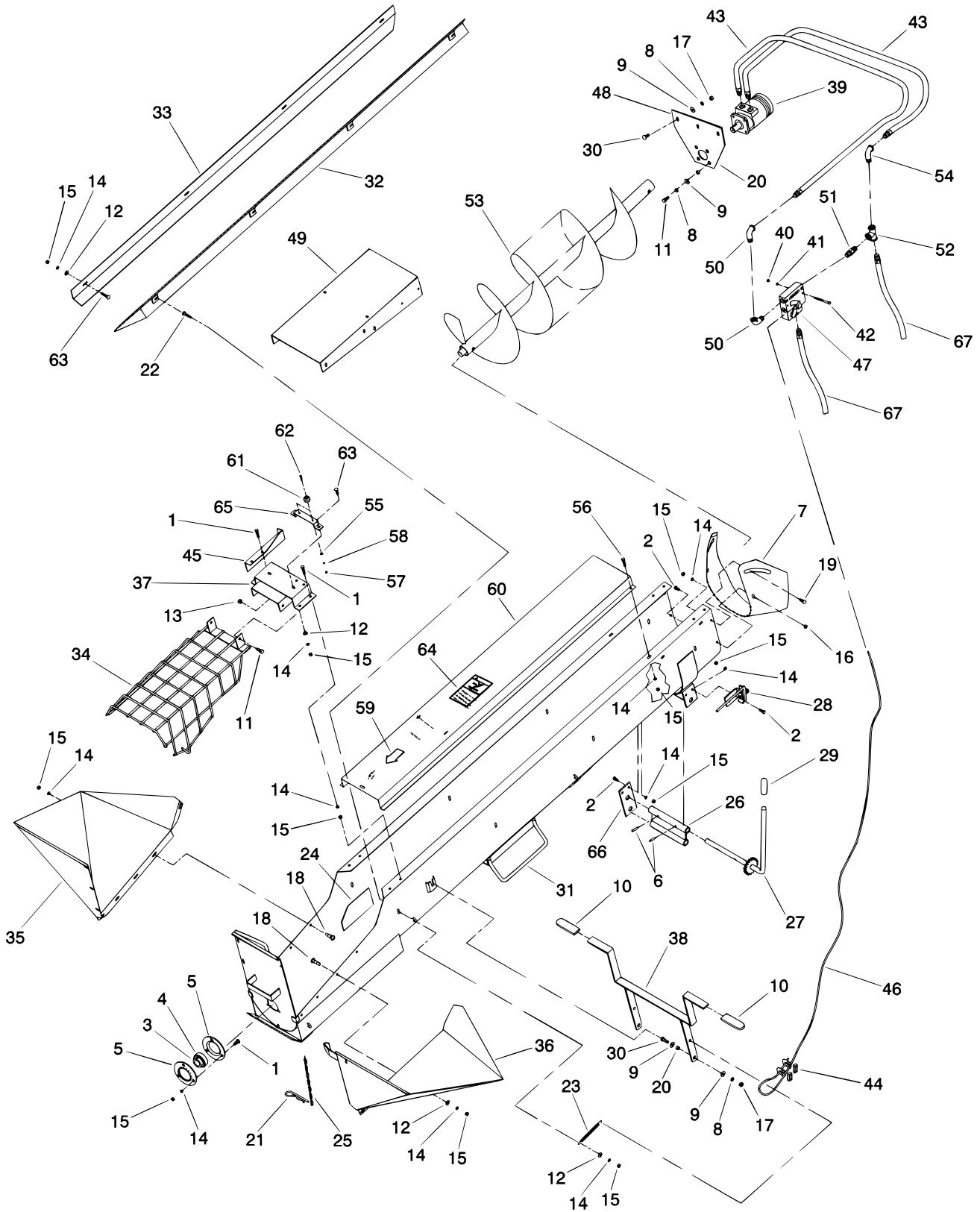
ITEM NO.	PART NUMBER	DESCRIPTION	QTY.
1	529270	BASE WLDT., MAIN SHIELD	1
2	023060	NUT, LOCK 3/8-16	4
3	022920	WASHER, FLAT 5/16	8
4	020190	NUT, LOCK 5/16-18	8
5	365800	SHIELD WLDT., MAIN	1
6	012410	BOLT, CRG. 5/16-18 X 3/4	8
7	205650	HOOK, RUBBER	1
8	021240	SCREW, TR HD 1/4-20 X 1/2	4
9	023270	NUT, LOCK 1/4-20	4
10	529300	BASE WLDT., RIGHT	1
11	215800	PIN, CLEVIS 1/4 X 1-5/8	1
12	116820	PIN, COTTER 1/16 X 3/4	1
13	E104310	BRACKET, HOOK	1
14	376930	SCREW, RD HD #10 X 3/8	2
15	120600	WASHER, LOCK #10	2
16	J14H631	NUT, HEX #10-32	2
17	012260	BOLT, HHCS 3/8-16 X 1	4
18	529320	FILLER, SHIELD	1
19	387050	STRAP, LEFT	1
20	387060	STRAP, RIGHT	1
21	387040	EYEBROW	1

AIR SYSTEM ASSEMBLY



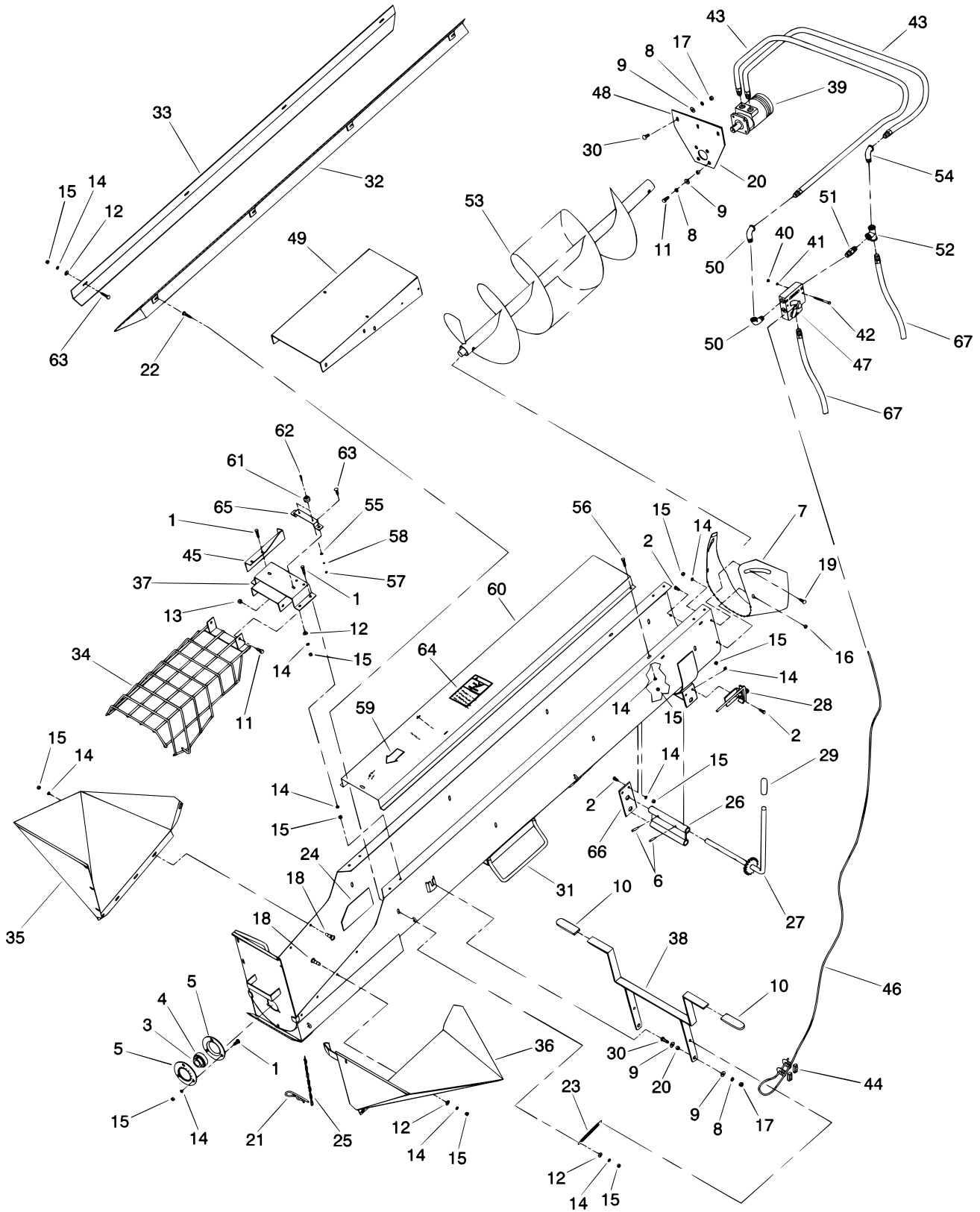
ITEM NO.	PART NUMBER	DESCRIPTION	QTY.
1	529010	BRACKET WLDT, CYCLONE	1
2	366150	COLLECTOR ASSY, DUST	1
3	185880	BAND, 4 INCH RUBBER	2
4	188390	ELBOW, 4 INCH 90 DEGREE CORRUGATED	1
5	254160	BAND, 6 INCH RUBBER	2
6	165870	COUPLER, PIPE	1
8	366160	COVER WELDMENT	1
9	560130	ANGLE WELDMENT	1
10	205920	CLAMP, HOSE	2
11	205910	ELBOW, FAN INLET	1
12	169990	WASHER, FLAT 11/32 X 1/8 X 0.06	2
13	366090	PIPE ASSEMBLY, VERTICAL	1
15	205940	SCREW	9
16	027260	NUT, HEX 3/8-16	4
17	021180	WASHER, LOCK 3/8	4
18	021190	WASHER, FLAT 3/8	6
19	020180	NUT, LOCK 3/8-16	2
20	E276028	CAP, PIPE	1
21	529030	TUBE AND BRACKET WELD	1
22	128500	ELBOW, 90 DEGREE HOSE 2 INCH	1
23	170530	BOLT, CRG 3/8 X 1.0	1

AUGER FEEDER ASSEMBLY, HYDRAULIC



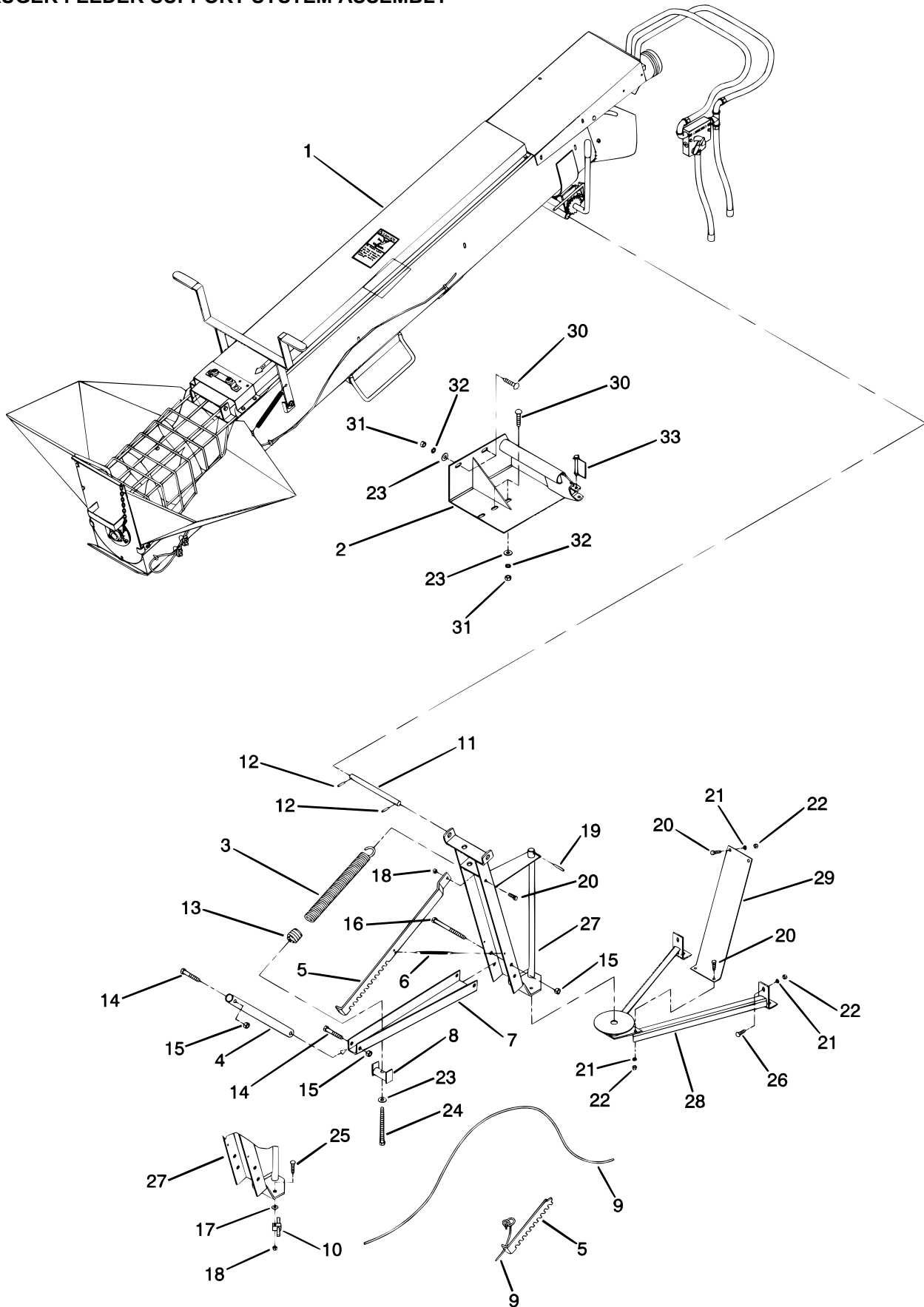
ITEM NO.	PART NUMBER	DESCRIPTION	QTY.
1	005900	BOLT, HHCS 5/16-18 X 1 GR5	7
2	012140	BOLT, HHCS 5/16-18 X 3/4	20
3	012300	COLLAR, LOCK 1.0 ECC	1
4	012310	BEARING, ADAPTER 1.00 SOD	1
5	012330	FLANGETTE, BRG 1.0 3-HOLE	2
6	012550	PIN, EXPANSION 1/4 X 1.25	2
7	015060	HOUSING, DOWN SPOUT AUGER	1
8	021180	WASHER LOCK 3/8	9
9	021190	WASHER, FLAT 3/8 STD	11
10	021560	GRIP, CLUTCH HANDLE	2
11	022420	BOLT, HHCS 3/8-16 X 3/4	6
12	022920	WASHER, FLAT 5/16 STD	30
13	023060	NUT, LOCK 3/8-16 HEX	2
14	023620	WASHER, LOCK 5/16	42
15	023630	NUT, HEX 5/16-18	48
16	025670	NUT, LOCK 5/16-18	2
17	027260	NUT, HEX 3/8-16	5
18	028230	SCREW, THMS 5/16-18 X 3/4	5
19	033320	BOLT, STEP 5/16-18 X 3/4	2
20	033460	SPACER, 0.375 X 0.281	6
21	035830	PIN, BRIDGE 3/16 INTERNAL	1
22	049290	BOLT, CRG 5/16-18 X 1-1/4	4
23	100750	SPRING, EXT. 0.438 X 5.75	1
24	123900	SEAL, DRAG FEEDER RUBBER	1
25	143700	CHAIN, ROLLER #16 SINGLE	1
26	150810	BRACKET WLDT, EXTENSION	1
27	150820	LEVER AND RATCHET WLDT	1
28	150840	STOP AND HOLDER ASSY	1
29	150940	GRIP, ROUND HANDLE	1
30	170530	BOLT, CRG 3/8-16 X 1 SSN	5
31	528540	HOUSING WLDT, AUGER FEED	1
32	206770	ANGLE WLDT, RH A/F	1
33	206780	ANGLE, LEFT SIDE DRAG	1

AUGER FEEDER ASSEMBLY, HYDRAULIC (CONTINUED)



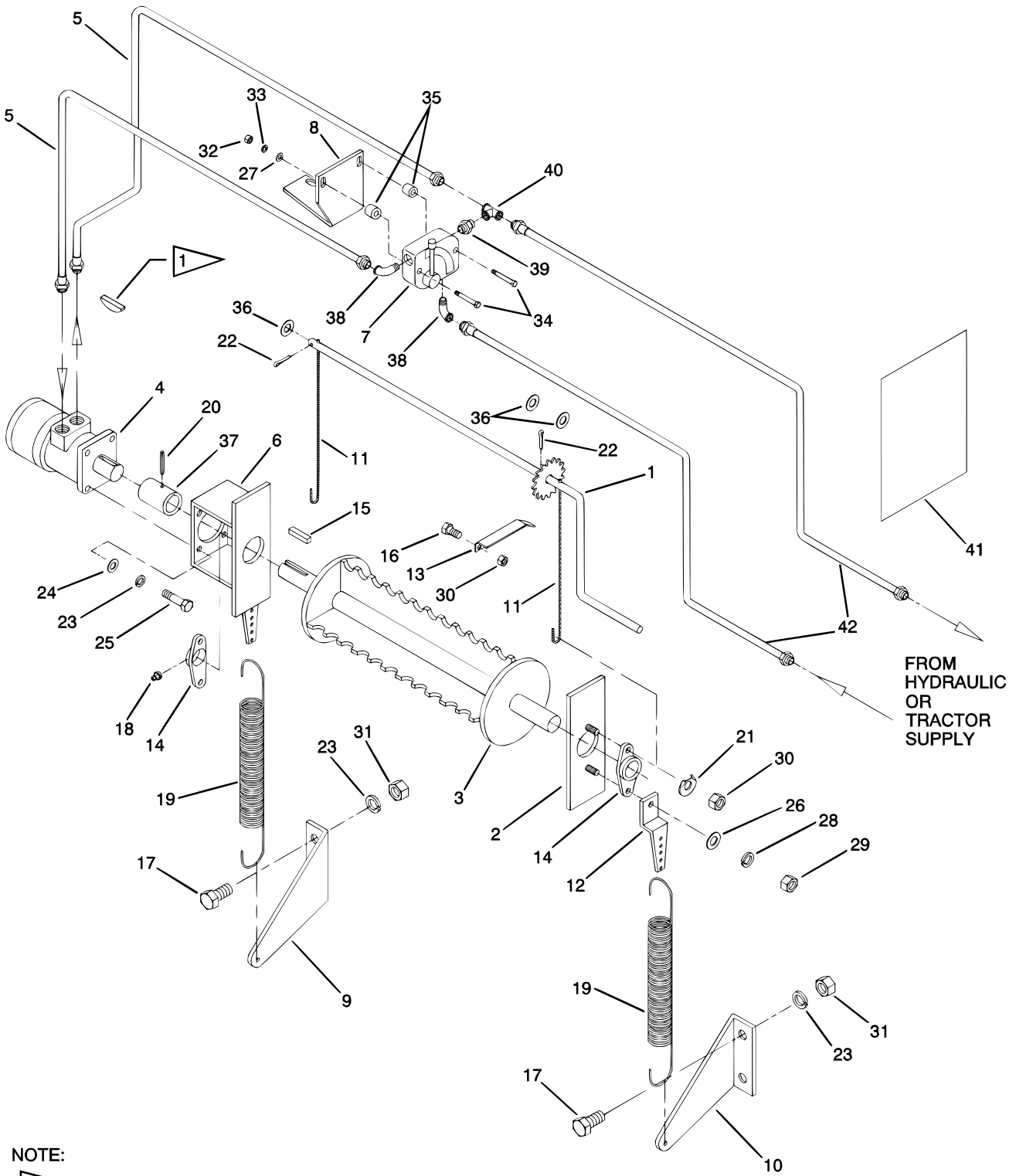
ITEM NO.	PART NUMBER	DESCRIPTION	QTY.
34	560670	GRATE, AUGER FEEDER	1
35	210810	HOPPER WLDT, STATIONARY	1
36	210830	HOPPER WLDT, FOLDING A/F	1
37	560660	BRACKET, A/F GRATE	1
38	528510	HANDLE WLDT, A/F CLUTCH	1
39	014280	MOTOR, HYD 12CI DISPLACE	1
40	027660	NUT, HEX 1/4-20	2
41	029440	WASHER, LOCK 1/4 SAE	2
42	031560	BOLT, HHCS 1/4-20 X 2-1/2	2
43	041740	HOSE, HYD 1/2 X 16 100R2	2
44	129260	CLIP, 1/8 INCH MALLEABLE WIRE	1
45	152310	BRACKET, LEVER STOP HYD	1
46	159830	CABLE, 1/8 OD X (7 x 9) x 80 OAL	1
47	161510	VALVE ASSY, HYD FLOW CONT.	1
48	164620	PLATE, HYD. MOTOR MOUNT	1
49	164630	PLATE, WLDT, HYD., A/F TOP	1
50	166230	ELBOW, HYD. STL. 1/2NPTF 90 DEGREE	2
51	166250	FITTING, HYD. NIPPLE 1/2NPT	1
52	166290	ADAPTER, TEE 1/2NPTF	1
53	206760	AUGER WLDT, 10 INCH LH HYD.	1
54	270620	ADAPTER, 1/2-14 45 DEGREE ELBOW	1
55	W144750056	WASHER FLAT 7/32 SAE	2
56	006880	BOLT, HHCS 5/16-18 X 5/8	2
57	120590	NUT, HEX 10-24	2
58	120600	WASHER, LOCK #10	2
59	148260	DECAL, FEEDER DRIVE STOP	1
60	206790	COVER WLDT., HYD. A/F UPPER	1
61	212510	BUMPER, RUBBER	2
62	991120	SCREW, RHMS 10-24 X 3/4	2
63	254060	BOLT, CRG 5/16-18 X 1 SSN	7
64	383990	DECAL, DANGER A/F HAZARD	1
65	529650	STRAP, RUBBER BUMPER MTG	1
66	529660	PLATE, TRANSPORT LOCKING	1
67	164560	HOSE, HYD. 1/2 X 120 100R2	2

AUGER FEEDER SUPPORT SYSTEM ASSEMBLY



ITEM NO.	PART NUMBER	DESCRIPTION	QTY.
1	528500	AUGER FEEDER ASSY	1
2	560260	MOUNT WLDT., A/F 20 INCH HAMMER MILL	1
3	113470	SPRING, 2 INCH X 14 INCHES	1
4	131960	LINK, SPRING ASSIST VERTICAL	1
5	152880	BAR, RATCHET	1
6	100750	SPRING, EXTENSION	1
7	152870	CHANNEL, RATCHET LEVER MTG.	1
8	161540	PIN WLDT., PIVOT	1
9	211490	ROPE, POLUPROPOLENE 102 INCHES LONG	1
10	160560	HANDLE ASSEMBLY, BRAKE	1
11	015120	PIN, DRAG	1
12	026630	PIN, COTTER 5/32 X 1.5 ZN	2
13	113490	NUT, SPRING RETAINING	1
14	007080	BOLT, HHCS 1/2-13 X 2.5 GR5 ZN	2
15	127890	NUT, LOCK 1/2-13 FIN HEX GRA	3
16	160350	BOLT, HHCS 1/2-13 X 5.0 GR5 ZN	1
17	012270	WASHER, FLAT 0.406 X 1.75 X 0.134 PL	1
18	023060	NUT, LOCK 3/8-16 FIN HEX GRA	2
19	013600	PIN, EXPANSION 1/4 INCH DIA. X 2.0	1
20	012260	BOLT, HHCS 3/8-16 X 1.0 GR5 ZN	5
21	021180	WASHER, LOCK 3/8 INCH	10
22	027260	NUT, HEX 3/8-16 GR5 ZN	10
23	005200	WASHER, FLAT 0.562 X 1.38 X 0.109	4
24	013800	BOLT, HHCS 1/2-13 X 5.0 GR5 ZN	1
25	012420	BOLT, CRG 3/8-16 X 1.5 SQ NK	1
26	032840	BOLT, CRG 1/2-13 X 1.25 SSN GR5	6
27	206730	SWIVEL WLDT., A/F SWIVEL	1
28	560230	SUPPORT WLDT., 20 INCH LOWER	1
29	377840	STRAP, REIN. MILL TO SWIVEL	1
30	E096046	BOLT, CRG 1/2-13 X 1-1/2	3
31	005360	NUT, HEX 1/2-13	3
32	005370	WASHER, LOCK 1/2	3
33	143710	PIN, SNAPPER 3/8 X 2-1/2	1

ROLL FEEDER ASSEMBLY, 20" HYDRAULIC (WITHOUT AUGER FEEDER)

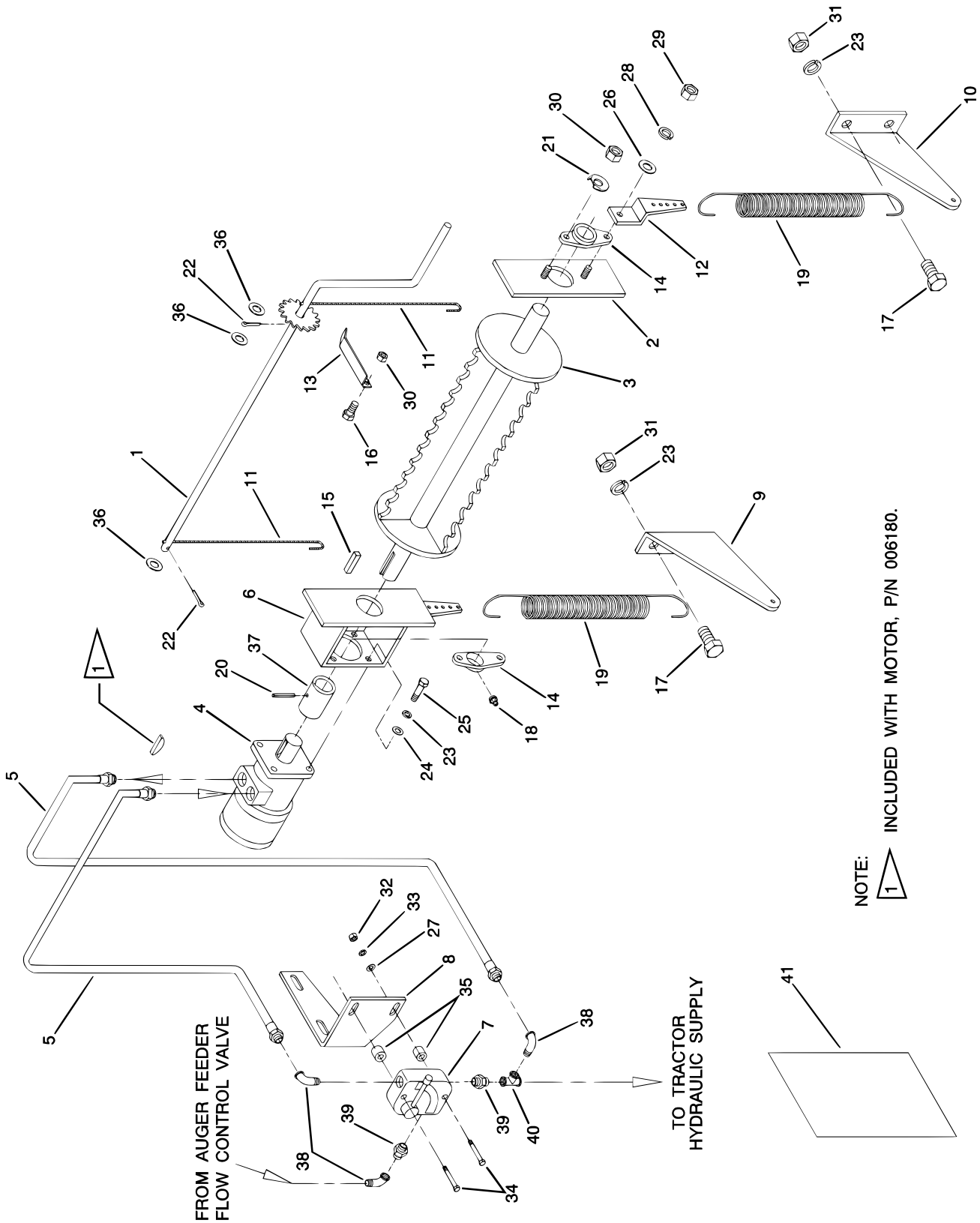


NOTE:

1 INCLUDED WITH MOTOR, P/N 006180.

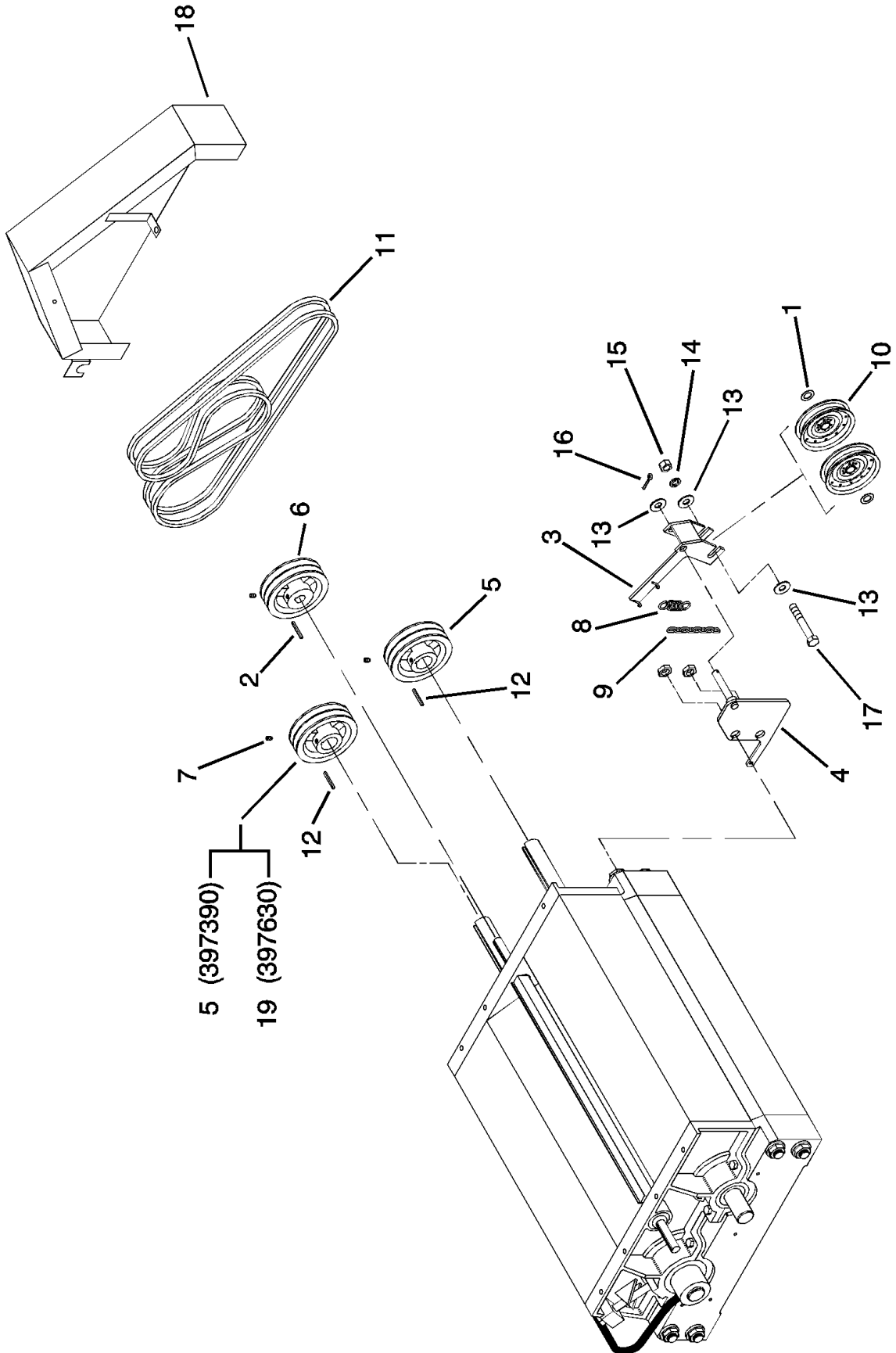
ITEM NO.	PART NUMBER	DESCRIPTION	QTY.
1	007960	CRANK ASSY	1
2	013330	PLATE, SLIDING ROLL	1
3	013340	ROTOR WELD ASSY, R.F.	1
4	014280	MOTOR, HYD. 12 CU. IN.	1
5	046640	HOSE ASSY, HYD. 1/2 NPT	2
6	160130	MOTOR MOUNT WELD.	1
7	161510	VALVE ASSY, HYD. FLOW	1
8	213000	BRACKET, FLOW CONTROL	1
9	366920	BRACKET, LEFT LOWER	1
10	366930	BRACKET, RIGHT LOWER	1
11	007880	CABLE, ROLL FEED ADJUST.	2
12	007900	BRACKET, UPPER SPRING	1
13	007930	LOCK, ROLL FEED RATCHET	1
14	011200	BEARING, ROLL FEED	2
15	011530	KEY, PAR. 1/4 SQ. X 1-1/4	1
16	012140	BOLT, HHCS 5/16-18 X 3/4	1
17	012260	BOLT, HHCS 3/8-16 X 1	4
18	013170	ZERK, 1/8 NPT SH. GREASE	2
19	017200	SPRING, ROLL FEED	2
20	018920	PIN, ROLL 1/4 X 1-3/4	1
21	019050	WASHER, SPECIAL LOCK	2
22	020700	PIN, COTTER 5/32 X 1	2
23	021180	WASHER, LOCK 3/8 INCH	8
24	021190	WASHER, FLAT 3/8 STD.	8
25	022420	BOLT, HHCS 3/8-16 X 3/4	4
26	022920	WASHER, FLAT 5/16 STD.	4
27	023260	WASHER, FLAT 1/4 STD.	2
28	023620	WASHER, LOCK 5/16 INCH	4
29	023630	NUT, HEX 5/16-18	4
30	025670	NUT, HEX LOCK 5/16-18	3
31	027260	NUT, HEX 3/8-16	4
32	027660	NUT, HEX 1/4-20	2
33	029440	WASHER, LOCK 1/4 INCH	2
34	031560	BOLT, HHCS 1/4-20 X 2-1/2	2
35	033460	SPACER, 0.375 ID X 0.28 LG	2
36	035210	WASHER, FLAT 5/8 SAE	4
37	160140	COLLAR, SHAFT COUPLER	1
38	166230	ELBOW, HYD. STL. 1/2 INCH NPTF	3
39	166250	FITTING, HYD. NIPPLE	2
40	166290	ADAPTER, TEE	1
41	367230	INSTRUCTIONS, HYD. R.F.	1
42	164560	HOSE ASSY, 1/2 X 120 NPT	2

ROLL FEEDER, 20" HYDRAULIC (WITH AUGER FEEDER)



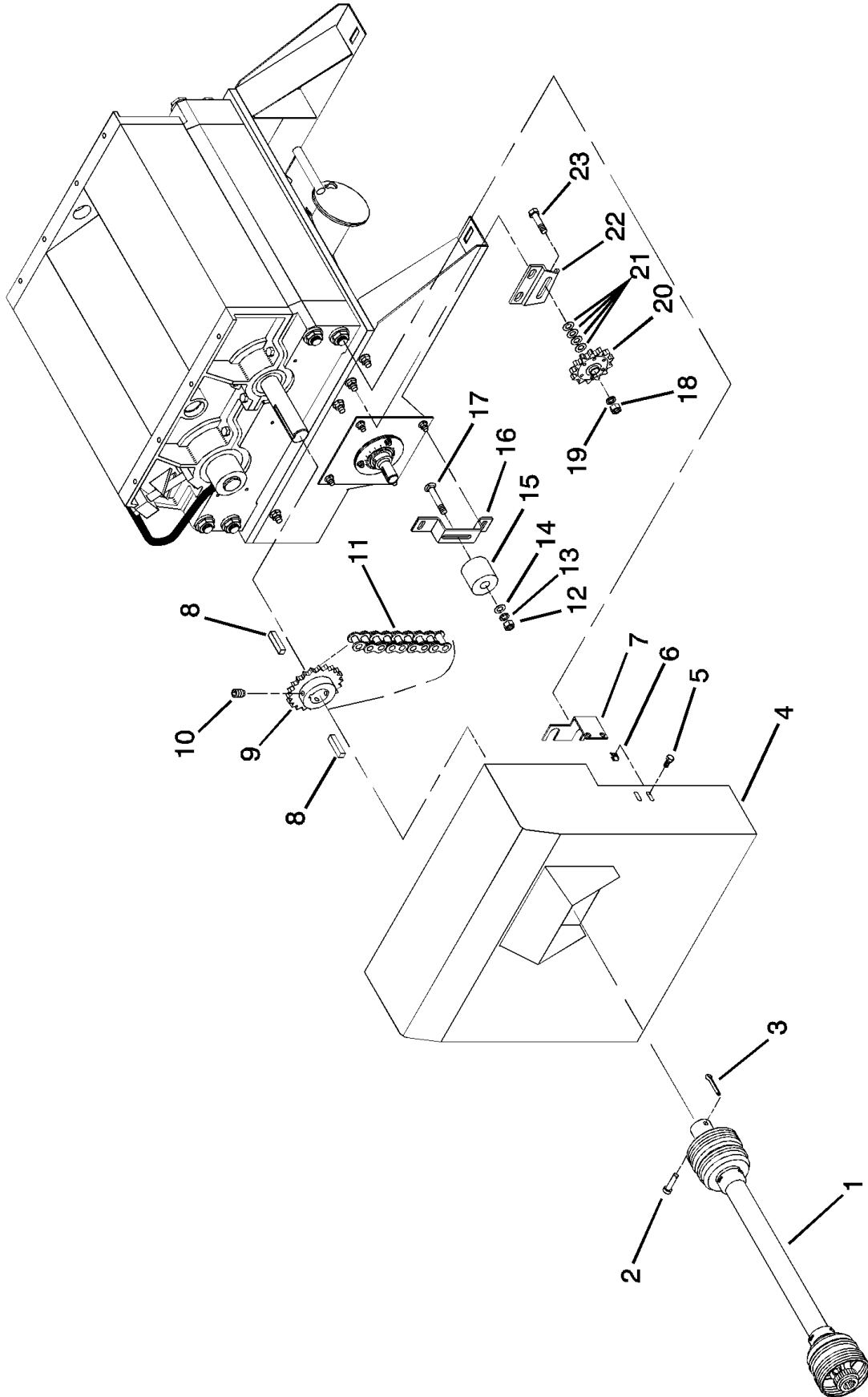
ITEM NO.	PART NUMBER	DESCRIPTION	QTY.
1	007960	CRANK ASSY	1
2	013330	PLATE, SLIDING ROLL	1
3	013340	ROTOR WELD ASSY. R.F.	1
4	014280	MOTOR, HYD. 12 CU. IN.	1
5	023170	HOSE ASSY, HYD. 1/2 NPT	2
6	160130	MOTOR MOUNT WELD	1
7	161510	VALVE ASSY, HYD. FLOW	1
8	212660	BRACKET, FLOW CONTROL	1
9	366920	BRACKET, LEFT LOWER	1
10	366930	BRACKET, RIGHT LOWER	1
11	007880	CABLE, ROLL FEED ADJUST.	2
12	007900	BRACKET, UPPER SPRING	1
13	007930	LOCK, ROLL FEED RATCHET	1
14	011200	BEARING, ROLL FEED	2
15	011530	KEY, PAR. 1/4 SQ. X 1-1/4	1
16	012140	BOLT, HHCS 5/16-18 X 3/4	1
17	012260	BOLT, HHCS 3/8-16 X 1	4
18	013170	ZERK, 1/8 NPT SH. GREASE	2
19	017200	SPRING, ROLL FEED	2
20	018920	PIN, ROLL 1/4 X 1-3/4	1
21	019050	WASHER, SPECIAL LOCK	2
22	020700	PIN, COTTER 5/32 X 1	2
23	021180	WASHER, LOCK 3/8 INCH	8
24	021190	WASHER, FLAT 3/8 STD.	8
25	022420	BOLT, HHCS 3/8-16 X 3/4	4
26	022920	WASHER, FLAT 5/16 STD.	4
27	023260	WASHER, FLAT 1/4 STD.	2
28	023620	WASHER, LOCK 5/16 INCH	4
29	023630	NUT, HEX 5/16-18	4
30	025670	NUT, HEX LOCK 5/16-18	3
31	027260	NUT, HEX 3/8-16	4
32	027660	NUT, HEX 1/4-20	2
33	029440	WASHER, LOCK 1/4 INCH	2
34	031560	BOLT, HHCS 1/4-20 X 2-1/2	2
35	033460	SPACER, 0.375 ID X 0.28 LG	2
36	035210	WASHER, FLAT 5/8 SAE	4
37	160140	COLLAR, SHAFT COUPLER	1
38	166230	ELBOW, HYD. STL. 1/2 INCH NPTF	3
39	166250	FITTING, HYD. NIPPLE	2
40	166290	ADAPTER, TEE	1
41	367230	INSTRUCTIONS, HYD. R.F.	1

ROLLERMILL BELT DRIVE ASSEMBLY



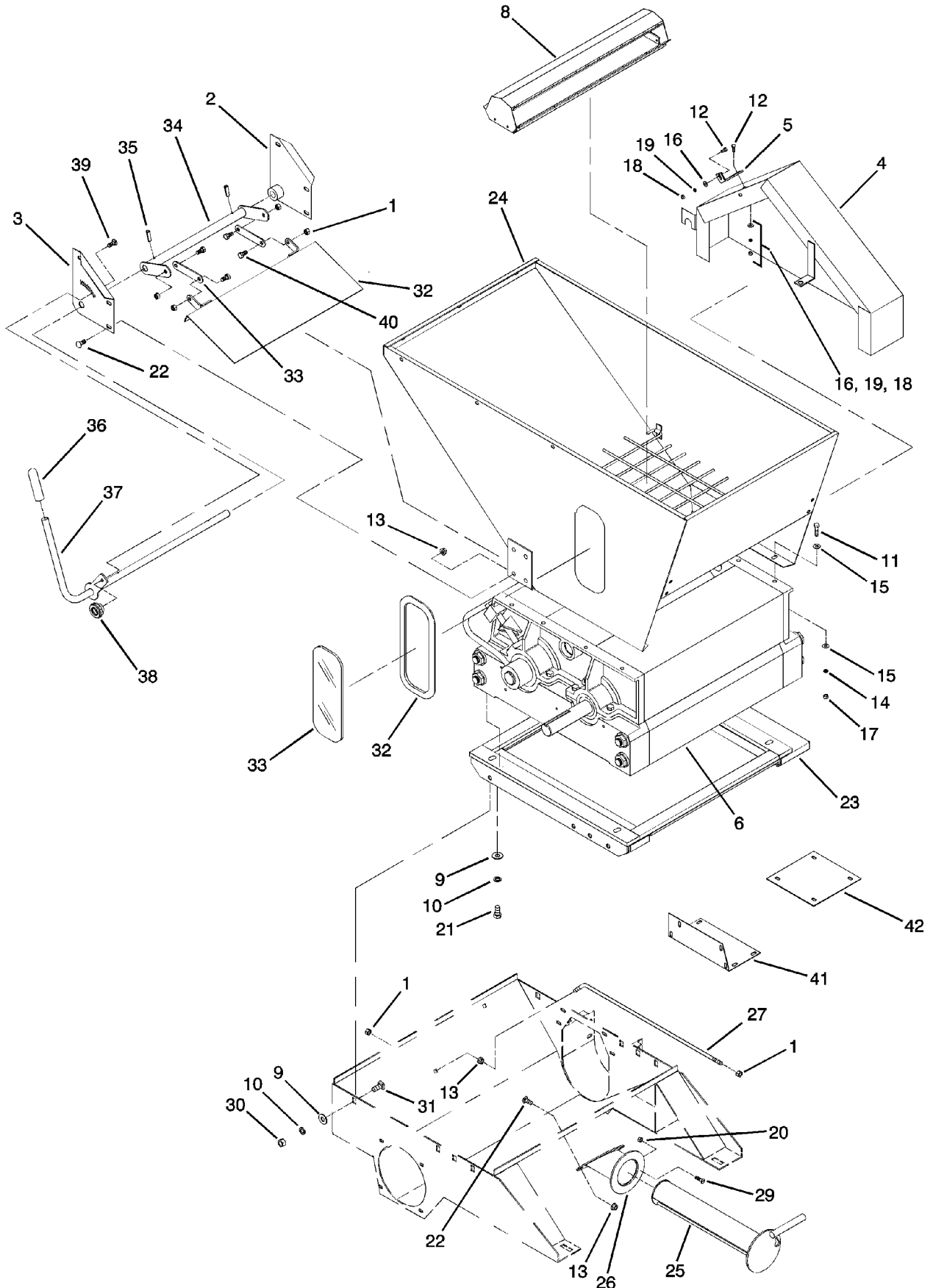
ITEM NO.	PART NUMBER	DESCRIPTION	397390 QTY.	397630 QTY.
	397390	1:1 STANDARD DRIVE	RF	
	397630	1:1.12 DIFFERENTIAL DRIVE		RF
1	E126120	BUSHING, MACH 0.75 X 1.25 X 18 GA	3	3
2	P10027	KEY SQ. 0.19 X 2.0	1	1
3	P10481	BRACKET WLDT., TIGHTENER	1	1
4	P10486	PIVOT WLDT., TIGHTENER	1	1
5	P20220	PULLEY, ROLL DRIVE	2	1
6	P20320	PULLEY, AGITATOR	1	1
7	P98298	SCREW, AHSS 3/8-16 X 0.50	5	5
8	P98375	SPRING, EXTENSION	1	1
9	P98522	CHAIN, #1 X 8.0 LINKS STRGHT. CL.	1	1
10	P99025	PULLEY, IDLER 0.634B 4.37 OD	2	2
11	P99712	BELT, ROLL DRIVE BB-81	2	2
12	014630	KEY SQ. 0.25 X 2.0	2	2
13	020430	WASHER, FLAT 0.688 X 1.75 X 0.134 ZN	7	7
14	020440	WASHER, LOCK 5/8 INCH ZN	1	1
15	020450	NUT, HEX 5/8-11 GR2 ZN	1	1
16	035850	PIN, COTTER 5/21 X 1.25 ZN	1	1
17	990670	BOLT, HHCS 5/8-11 X 3.75 GR5 ZN	1	1
18	P10730	BELT GUARD, ROLLER MILL	1	1
19	P30881	PULLEY, ROLL SPD. DIFF.	N/A	1

ROLLERMILL DRIVE ASSEMBLY



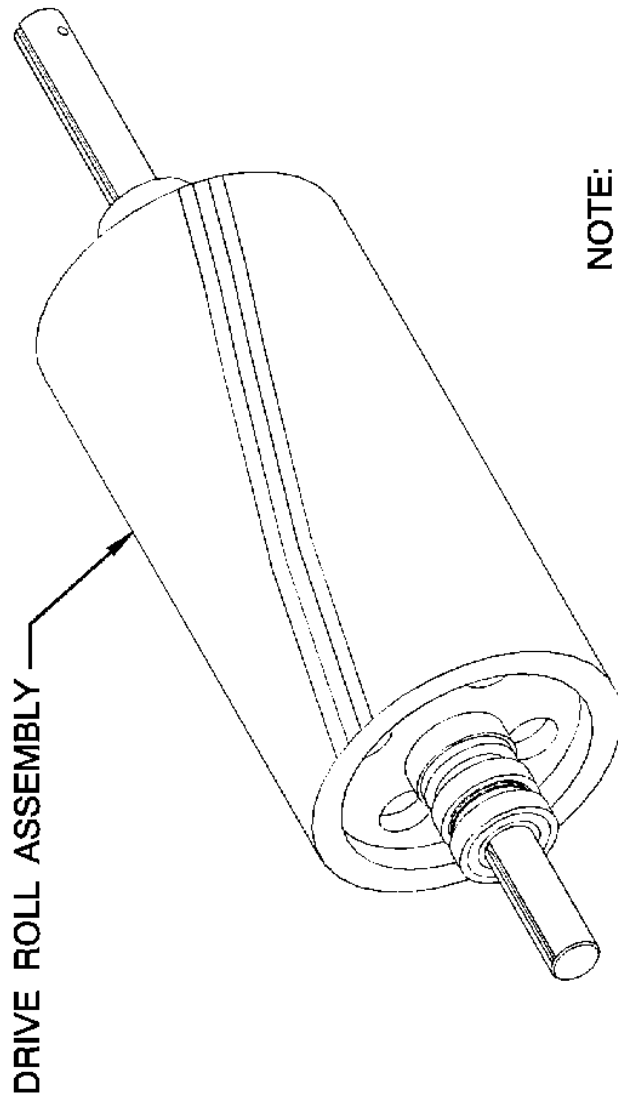
ITEM NO.	PART NUMBER	DESCRIPTION	QTY.
	368550	20 INCH ROLLERMILL DRIVE ASSEMBLY (540 RPM)	RF
1	374140	PTO ASSEMBLY, 1-3/8 X 1-3/8	1
2	036480	PIN, CLEVIS 5/16 X 3.0	1
3	034360	PIN, COTTER 1/8 X 1.0	1
4	379330	SHIELD WLDT.	1
5	042960	BOLT, HHCS 1/4-20 X 1.0	4
6	I404766R1	NUT, TINNERMAN J 1/4-20	4
7	379380	BRACKET, SHIELD MOUNTING	2
8	014630	KEY SQ. 1/4 X 2.0	2
9	P99637	SPROCKET, 60B22 40MM	1
10	010990	SET SCREW, (INCLUDED IN ITEM #9)	N/A
11	040720	CHAIN, RC60 76 PITCHES	1
12	027260	NUT, HEX 3/8-16	1
13	021180	WASHER, LOCK 3/8	1
14	021190	WASHER, FLAT 3/8	1
15	041440	TIGHTENER, CHAIN	1
16	365890	BRACKET, M-T-M IDLER	1
17	117550	BOLT, CRG. 3/8-16 X 2-1/4	1
18	005360	NUT, HEX 1/2-13	1
19	005370	WASHER, LOCK 1/2	1
20	021840	SPROCKET, IDLER 60A15	1
21	005200	WASHER, FLAT 1/2	4
22	362570	BRACKET, IDLER	1
23	J03H1593	BOLT, CRG. 1/2-13 X 2-1/2	1

ROLLERMILL WITH OFFSET HOPPER ASSEMBLY



ITEM NO.	PART NUMBER	DESCRIPTION	QTY.
	370030	20 INCH ROLLERMILL WITH OFFSET HOPPER	RF
1	E552044	NUT, LOCK 3/8-16 HEX TOP GA, ZN	2
2	P10148	SCREW WLDT., SET	2
3	P10284	TUBE WLDT., HANDLE	1
4	P10730	GUARD WLDT., BELT	1
5	P10735	BRACKET, BELT GUARD	1
6	P20000	MILL, BASIC 20 INCH ROLLER	1
7	P20286	GATE WLDT., GRAIN	1
8	P82700	MAGNET ASSEMBLY, 20 INCH	1
9	005200	WASHER, FLAT 0.562 X 1.38 X 0.109 ZN	12
10	005370	WASHER, LOCK 1/2 INCH ZN	12
11	006690	BOLT, HHCS 3/8-16 X 1.25 GR5 ZN	4
12	012051	BOLT, HHCS 1/4-20 X 0.75 GR5 ZN	2
13	020180	NUT, LOCK 3/8-16 FLG. HEX GR5	5
14	021180	WASHER, LOCK 3/8 INCH	4
15	021190	WASHER, FLAT 0.438 X 1.0 X 0.083	4
16	023260	WASHER, FLAT 0.31 X 0.75 X 16 GA. ZN	2
17	027260	NUT, HEX 3/8-16 GR5 ZN	4
18	027660	NUT, HEX 1/4-20 GR5 ZN	2
19	029440	WASHER, LOCK 1/4 INCH	2
20	023630	NUT, HEX 5/16-18 GR5 ZN	1
21	031080	BOLT, HHCS 1/2-13 X 1.0 GR5 ZN	4
22	032840	BOLT, CRG. 3/8-16 X 0.75 GR5 ZN	4
23	365560	PLATE WLDT., ADAPTER	1
24	371420	HOPPER WLDT., OFFSET 20 INCH	1
25	376630	TROUGH WLDT., SAMPLE	1
26	376830	TUBE WLDT., LOWER PAN	1
27	376870	ROD	1
29	144510	SCREW, RHS 5/16-18 X 0.75	1
30	005360	NUT, HEX 1/2-13 GR5 ZN	8
31	005390	BOLT, CRG. 1/2-13 X 1.0 GR5 ZN	8
32	393670	GATE WLDT., 20 INCH ROLLERMILL	1
33	386240	LINK, LOWER	2
34	386260	TUBE WLDT., LINK	1
35	012560	PIN, EXPANSION 3/16 X 1.0 ZN	2
36	150940	GRIP, ROUND HANDLE	1
37	393680	LEVER WLDT., 20 INCH LIFT	1
38	386130	KNOB, FLUTED 5/16-18	1
39	035520	BOLT, CRG. 5/16-18 X 1-1/4 SSN	1
40	022420	BOLT, HHCS 3/8-16 X 3/4	4
41	365950	CAP, ANGLE	1
42	365900	PLATE, CAP	1

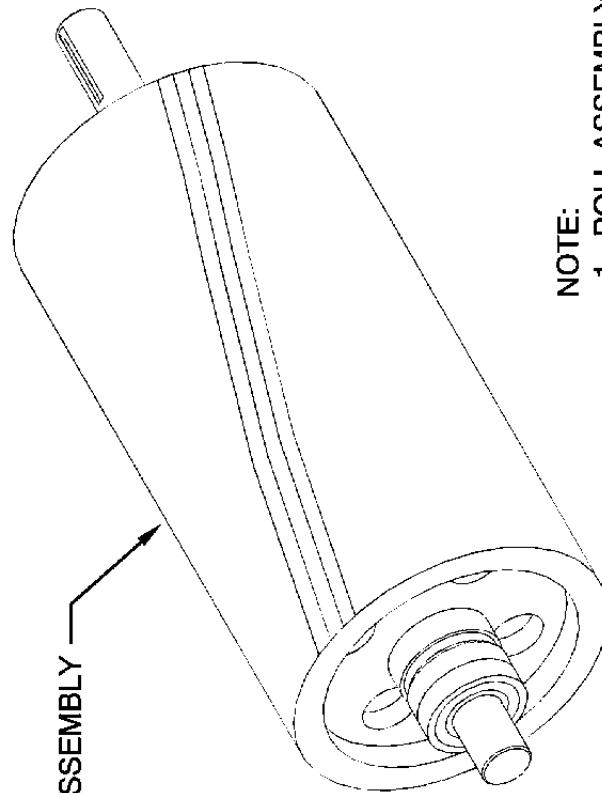
DRIVE ROLL ASSEMBLY



NOTE:
1. ROLL ASSEMBLY INCLUDES SHAFT & BEARINGS.

ITEM NO.	NEW PART NUMBER	REGROOVED PART NUMBER	DESCRIPTION
	382220	382221	ROLL ASSEMBLY, 5-GROOVE FLAT
	396900	396901	ROLL ASSEMBLY, 5-GROOVE SHARP
	382230	382231	ROLL ASSEMBLY, 7-GROOVE FLAT
	396920	396921	ROLL ASSEMBLY, 7-GROOVE SHARP
	382240	382241	ROLL ASSEMBLY, 10-GROOVE FLAT
	388450	388451	ROLL ASSEMBLY, 10-GROOVE SHARP
	388470	388471	ROLL ASSEMBLY, 12-GROOVE SHARP

IDLER (ECCENTRIC) ROLL ASSEMBLY



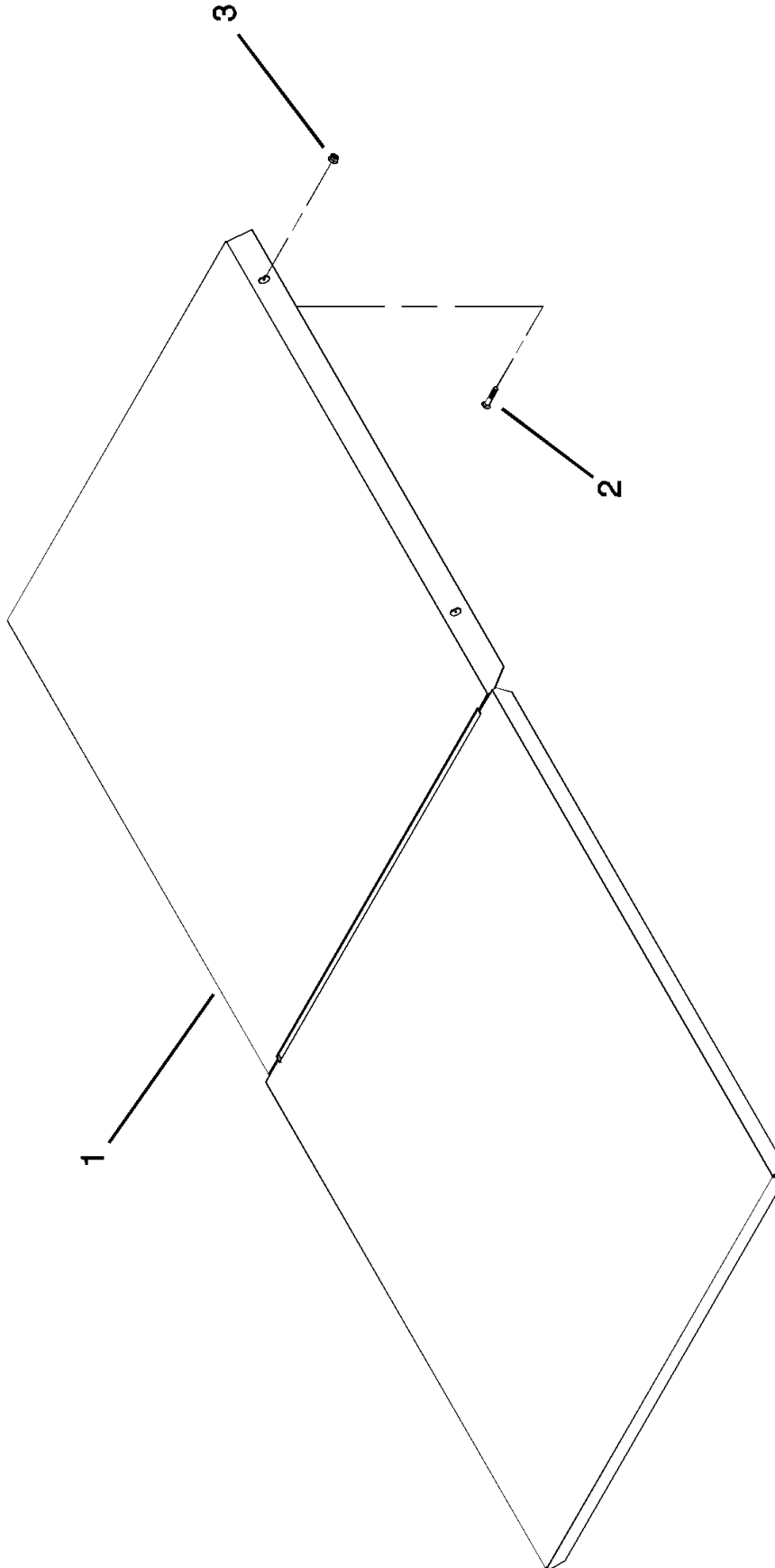
IDLER (ECCENTRIC) ROLL ASSEMBLY

NOTE:

- 1. ROLL ASSEMBLY INCLUDES SHAFT & BEARINGS.

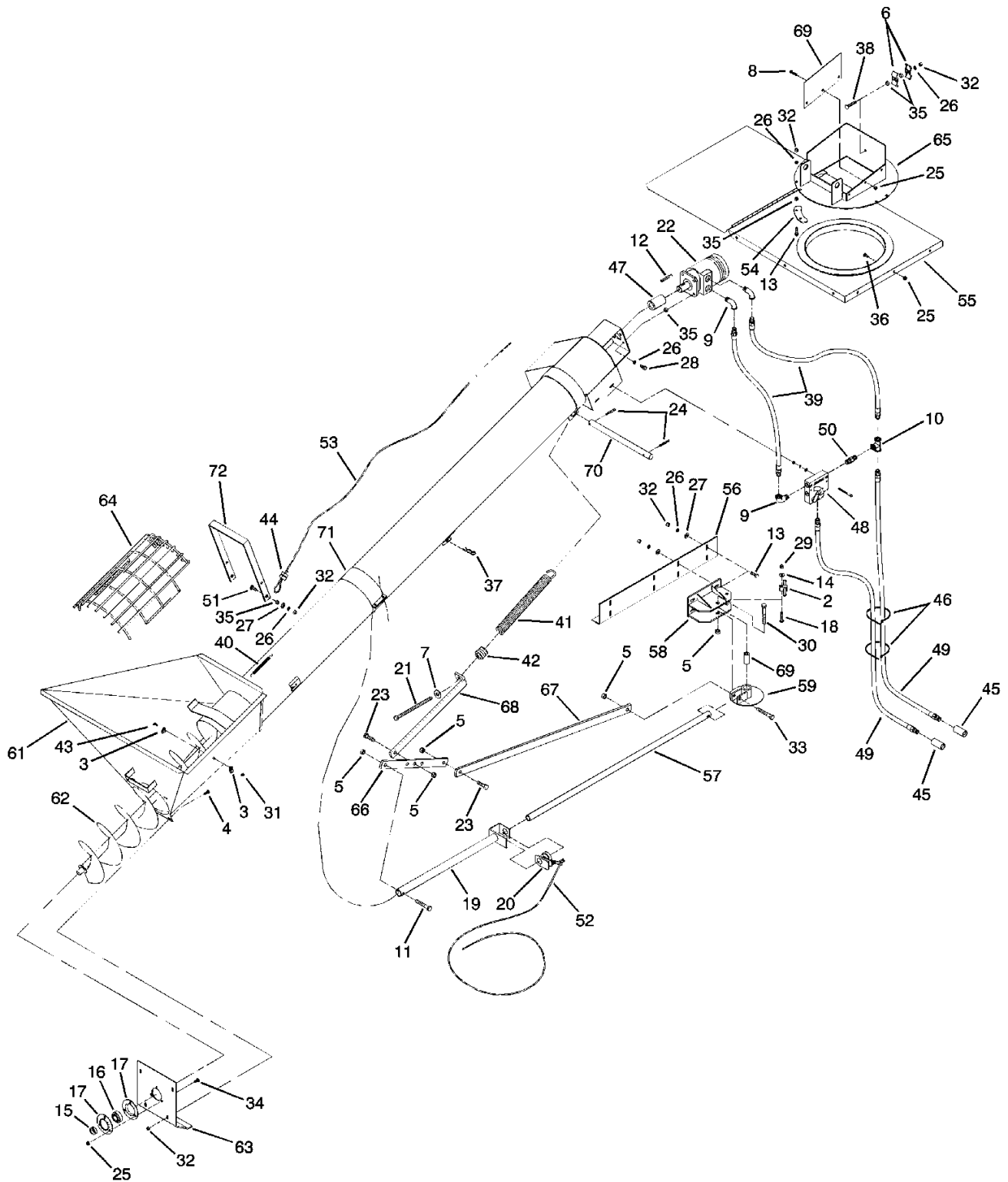
ITEM NO.	NEW PART NUMBER	REGROOVED PART NUMBER	DESCRIPTION
	382250	382251	ROLL ASSEMBLY, 5-GROOVE FLAT
	396910	396911	ROLL ASSEMBLY, 5-GROOVE SHARP
	382260	382261	ROLL ASSEMBLY, 7-GROOVE FLAT
	396930	396931	ROLL ASSEMBLY, 7-GROOVE SHARP
	382270	382271	ROLL ASSEMBLY, 10-GROOVE FLAT
	388480	388481	ROLL ASSEMBLY, 10-GROOVE SHARP
	388500	388501	ROLL ASSEMBLY, 12-GROOVE SHARP

COVER FOR OFFSET HOPPER WITHOUT AUGER FEEDER ASSEMBLY



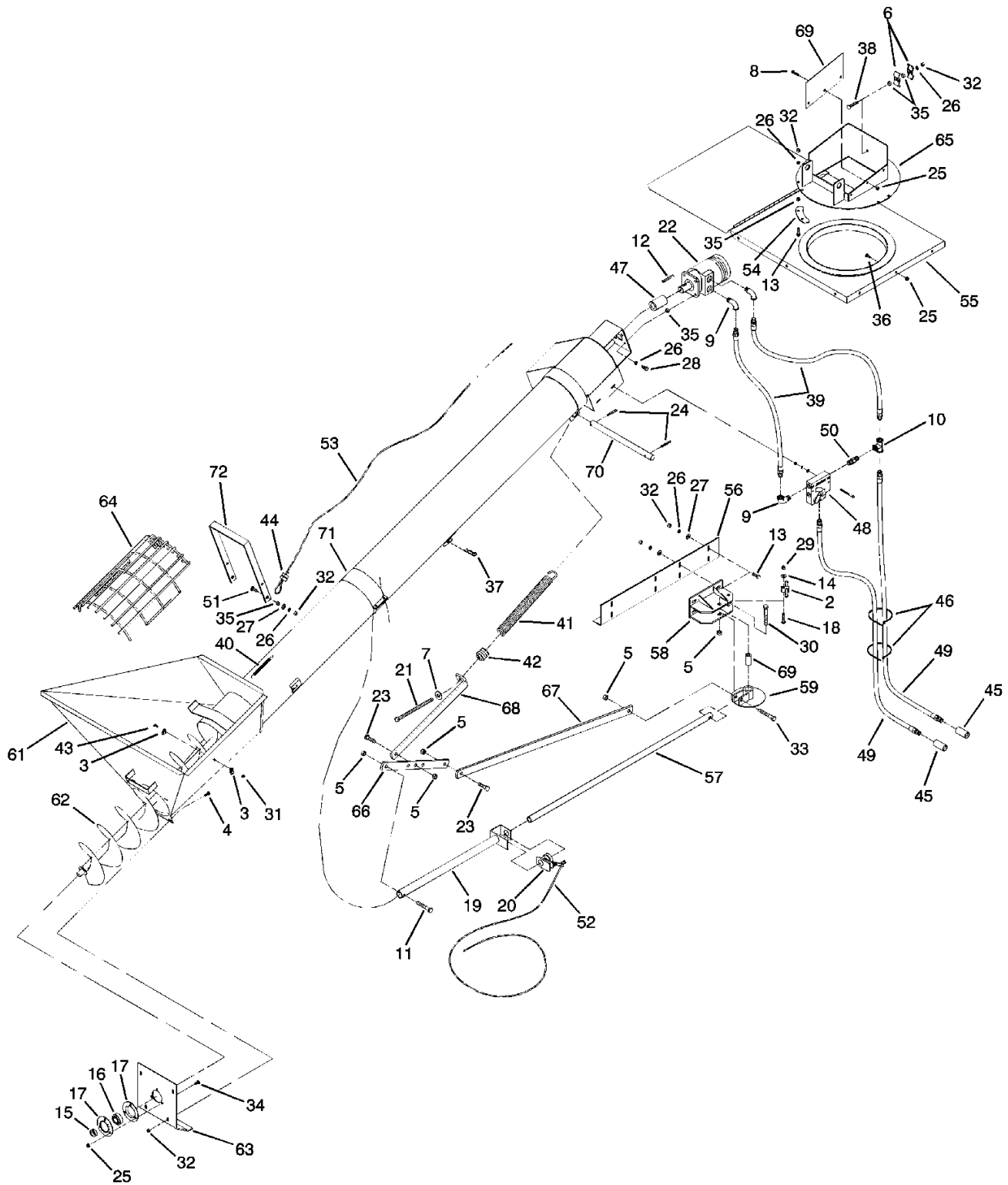
ITEM NO.	PART NUMBER	DESCRIPTION	QTY.
1	463220	COVER WLDT., W/O AUGER FEEDER	1
2	035290	BOLT, CRG. 5/16-18 X 0.62 GR2	4
3	020190	NUT, LOCK 5/16-18 HEX FLG.	4

AUGER FEEDER ROLLERMILL ASSEMBLY



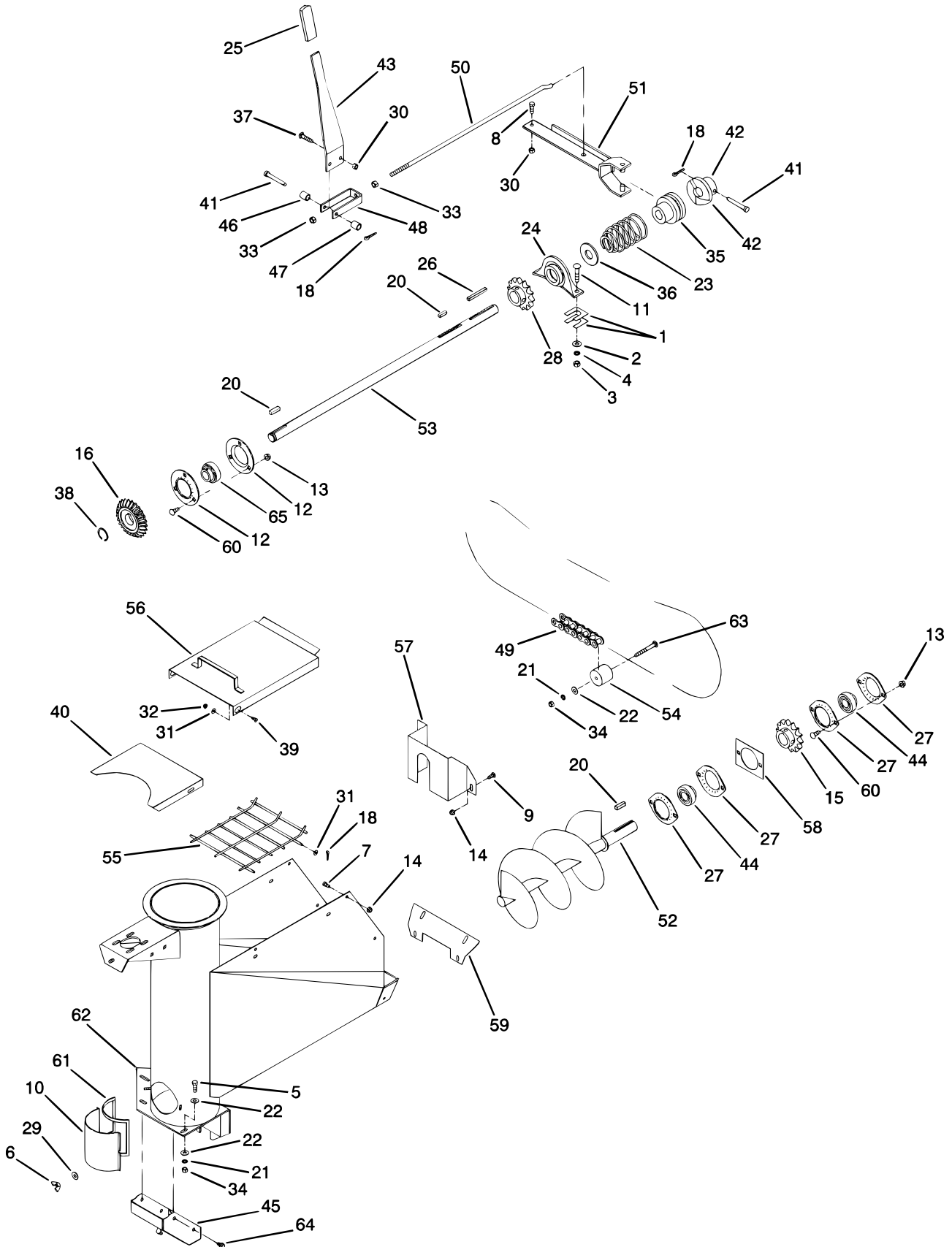
ITEM NO.	PART NUMBER	DESCRIPTION	QTY.
1	025670	NUT, LOCK 5/16-18	2
2	160560	HANDLE ASSY, BRAKE	1
3	E180006	CLIP, WIRE	3
4	I14994R1	BOLT, CRG. 5/16-18 X 0.75 SQNK. GR2	4
5	I9413967	NUT, HEX LK. 1/2-13 GR5 CP	6
6	JN185041	CLAMP, HOSE – SHORT	2
7	005200	WASHER, FLAT 0.562 X 1.38 X 0.109 ZN	1
8	005900	BOLT, HHCS 5/16-18 X 1.0 GR5 ZN	3
9	006240	ELBOW, 1/2 X 90 DEGREE STREET	3
10	006320	TEE, 1/2 INCH PIPE ZN	1
11	007080	BOLT, HHCS 1/2-13 X 2.5 GR5 ZN	1
12	011530	KEY, SQ. 1/4 X 1.25	1
13	012260	BOLT, HHCS 3/8-16 X 1.0 GR5 ZN	15
14	012270	WASHER, 0.406 X 1.75 X 0.14 PLN	1
15	012300	COLLAR, 1.0 ECC. LOCK	1
16	012310	BEARING, 1.0 ADAPTER, SOD	1
17	012330	FLANGETTE, 7/8 X 1.0 BRG., 3-BOLT RND	2
18	012420	BOLT, CRG. 3/8-16 X 1.5 GR2 ZN	1
19	014130	SUPPORT, PIPE JACK TOP	1
20	014140	CLAMP, DRAG FEED ONL	1
21	384270	BOLT, HHCS 1/2-13 X 7.0 FULTHD.	1
22	014280	MOTOR HYD., 12 CU. IN. DISPL.	1
23	014770	BOLT, HHCS 1/2-13 X 1.5 GR5 ZN	2
24	018920	PIN, ROLL 1/4 X 1.75 ZN	2
25	020190	NUT, LOCK 5/16-18 HEX FLG.	16
26	021180	WASHER, LOCK 3/8 INCH	20
27	021190	WASHER, FLAT 0.438 X 1.0 X 0.083	12
28	022420	BOLT, HHCS 3/8-16 X 0.75 GR5 ZN	4
29	023060	NUT, LOCK 3/8-16 DISTHRD.	9
30	990840	BOLT, HHCS 1/2-13 X 3.0 GR5 ZN	1
31	023270	NUT, HEX FLG. LK., 1/4 INCH	2
32	027260	NUT, HEX 3/8-16 GR5 ZN	11
33	031580	BOLT, HHCS 1/2-13 X 2.75 GR5 ZN	1
34	032970	BOLT, CRG. 5/16-18 X 1.0 GR2 ZN	3
35	033460	SPACER, 0.375 ID X 0.281 LG	12
36	035290	BOLT, CRG. 5/16-18 X 0.62 GR2 ZN	9

AUGER FEEDER ROLLERMILL ASSEMBLY (CONTINUED)



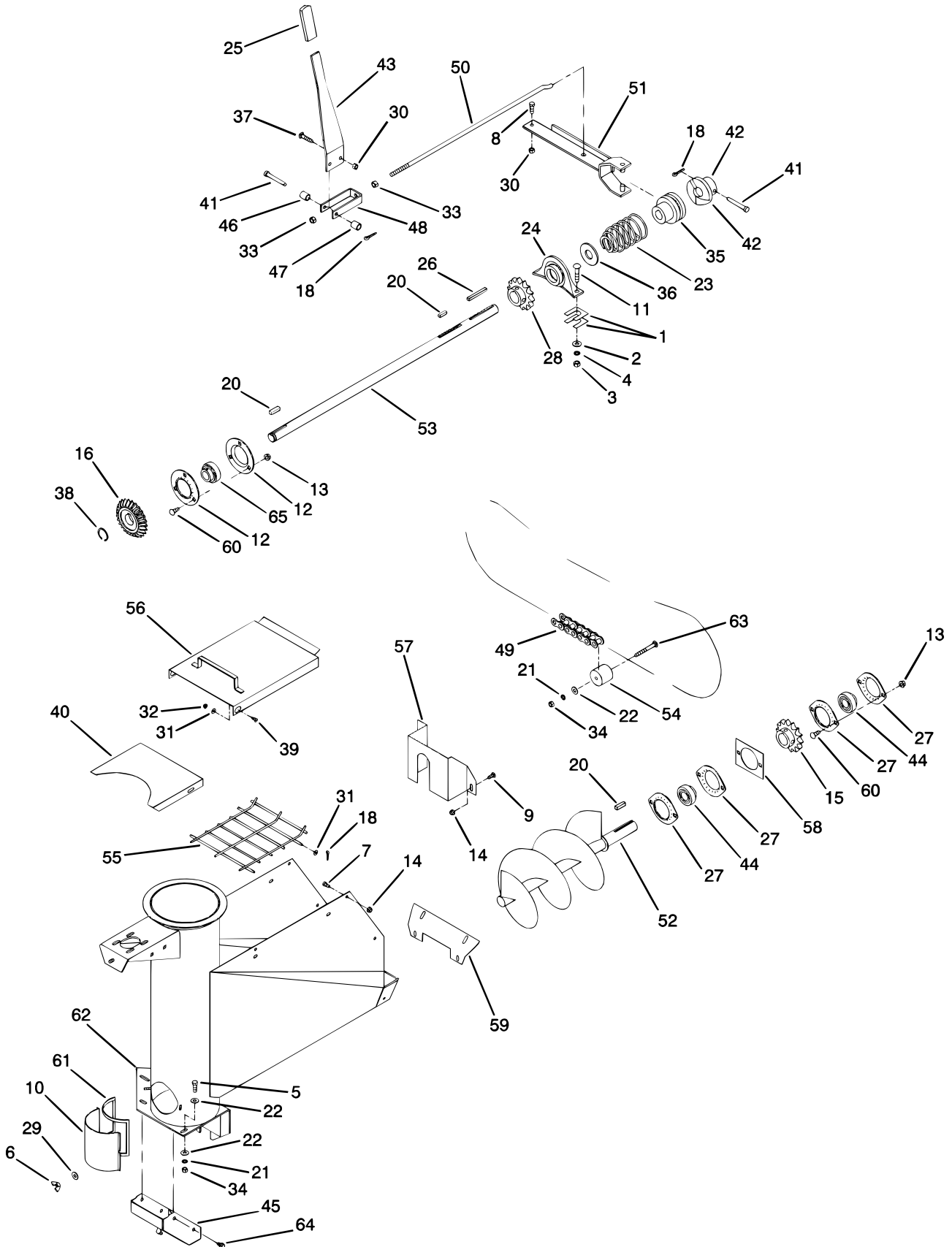
ITEM NO.	PART NUMBER	DESCRIPTION	QTY.
37	035830	PIN, HAIR COTTER 3/16 X 3.0	1
38	041450	BOLT, CRG 3/8-16 X 2.0 GR5 ZN	1
39	046640	HOSE, SINGLE BRAID 1/2 INCH HYD.	2
40	100750	SPRING, EXT. 0.438 OD X 5.75 LG	1
41	113470	SPRING, 2 INCH DIA. X 14 INCH LG.	1
42	113490	NUT, SPRING RETAINING	1
43	E096029	BOLT, CRG. 1/4-20 X 3/4 ZN	2
44	129260	CABLE CLIP, 1/8 CABLE	2
45	133460	ADAPTER, CPLR FM. 1/2-14 NPTF	2
46	149670	TIE, NYLON CABLE	6
47	160140	COLLAR, SHAFT, ROLL FEED	1
48	161510	VALVE ASSY, HYD. FLOW CONTROL	1
49	164560	HOSE ASSY, 1/2 X 120 INCH HYDRAULIC	2
50	166250	FIT, HYD. NIPPLE 1/2 NPT HEX	1
51	170530	BOLT, CRG. 3/8-16 X 1.0 GR5 ZN	10
52	211490	ROPE, POLYPROPYLENE 102 INCH LG	1
53	214020	ROPE, WIRE ASSY, 124 INCH, MECH. AF.	1
54	349470	PLATE, CLAMP	3
55A	365680	COVER WLDT., HOPPER 20 INCH	1
56	371050	ANGLE, MOUNT	1
57	371060	PIPE, LOWER	1
58	371070	SUPPORT WLDT.	1
59	371110	PIVOT WLDT.	1
60	371130	BUSHING, 1.0 OD. X 0.561 ID X 1.9	1
61	371220	HOUSING WLDT., AUGER FEEDER	1
62	371260	AUGER WLDT., GRAIN	1
63	371320	PANEL, HOPPER BEARING	1
64	372240	GUARD WLDT.	1
65	372910	CAP WLDT., HOPPER	1
66	372970	STRAP, SPRING ADJUSTMENT	1
67	372980	STRAP, LOWER	1
68	372990	STRAP, SPRING EXTENSION	1
69	373000	FLAP, RUBBER GRAIN	1
70	373010	ROD, AUGER PIVOT	1
71	374100	BAND WLDT., CLAMP	1
72	380270	BAR, DECLUTCHER	1

HOPPER & DRIVE ASSEMBLY, MECHANICAL DISCHARGE



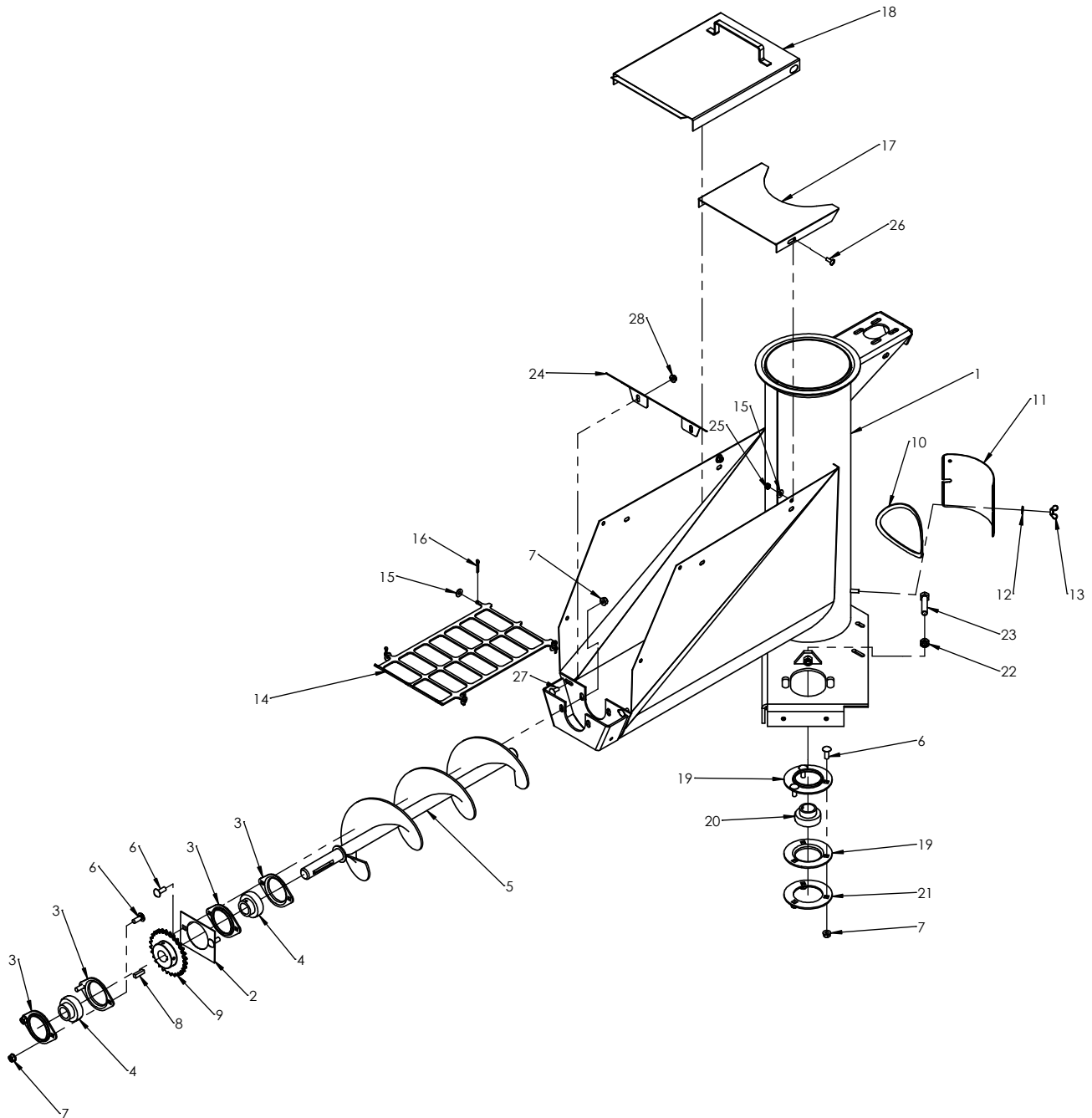
ITEM NO.	PART NUMBER	DESCRIPTION	QTY.
1	I486454R1	SHIM, 0.030 BLADE	4
2	005200	WASHER, FLAT 0.562 X 1.38 X 0.109 ZN	2
3	005360	NUT, HEX 1/2-13 GR5, ZN	2
4	005370	WASHER, LOCK 1/2 INCH ZN	2
5	006690	BOLT, HHCS 3/8-16 X 1.25 GR5, ZN	3
6	009790	NUT, WING 5/16-18	2
7	012140	BOLT, HHCS 5/16-18 X 0.75 GR5, ZN	4
8	012260	BOLT, HHCS 3/8-16 X 1.0 GR5, ZN	1
9	012410	BOLT, CRG, 5/16-18 X 0.75 GR5, ZN	4
10	012520	DOOR, CLEANOUT	1
11	991200	BOLT, CRG 1/2-13 X 2 GR5, ZN	2
12	019150	FLANGE, 1.12 BRG 3 BOLT RND	2
13	020180	NUT, LOCK 3/8-16 FLNG HX GR5	7
14	020190	NUT, 5/16-18 HX FLNG LK, GR5, ZN	4
15	020240	SPROCKET, 40B28, 1.12 BORE	1
16	461790	GEAR, BEVEL, 14T, 1.25 BORE	1
17	020650	WASHER, FLAT 1.14 X 1.62 X 0.134 PLN	4
18	020700	PIN, COTTER 5/32 X 1.0 CHSL PNT	6
19	020750	WASHER 1.14 X 1.62 X 0.105 PLN	4
20	020760	KEY, PAR, 5/16 SQ. X 1.12	3
21	021180	WASHER, LOCK 3/8 INCH	4
22	021190	WASHER, FLAT 0.438 X 1.0 X 0.083	7
23	528710	SPRING, CLUTCH HOLDING	1
24	529120	BEARING, 1.25 PB, STL HSG W/ LC	1
25	021560	GRIP, CLUTCH HANDLE	1
26	021570	KEY, PAR, 5/16 SQ. X 3.62	1
27	021610	BEARING, 1.12 FLG, 2 BOLT	4
28	529140	SPROCKET, 40B24, 1.25 BORE	1
29	022920	WASHER, FLAT 0.38 X 0.88 X 0.083	2
30	023060	NUT, LOCK 3/8-16 DSTHD	2
31	023260	WASHER, FLAT 0.312 X 0.75 X 16 GA. ZN	6
32	023270	NUT, LOCK 1/4 INCH HEX FLNG	2

HOPPER & DRIVE ASSEMBLY, MECHANICAL DISCHARGE (CONTINUED)



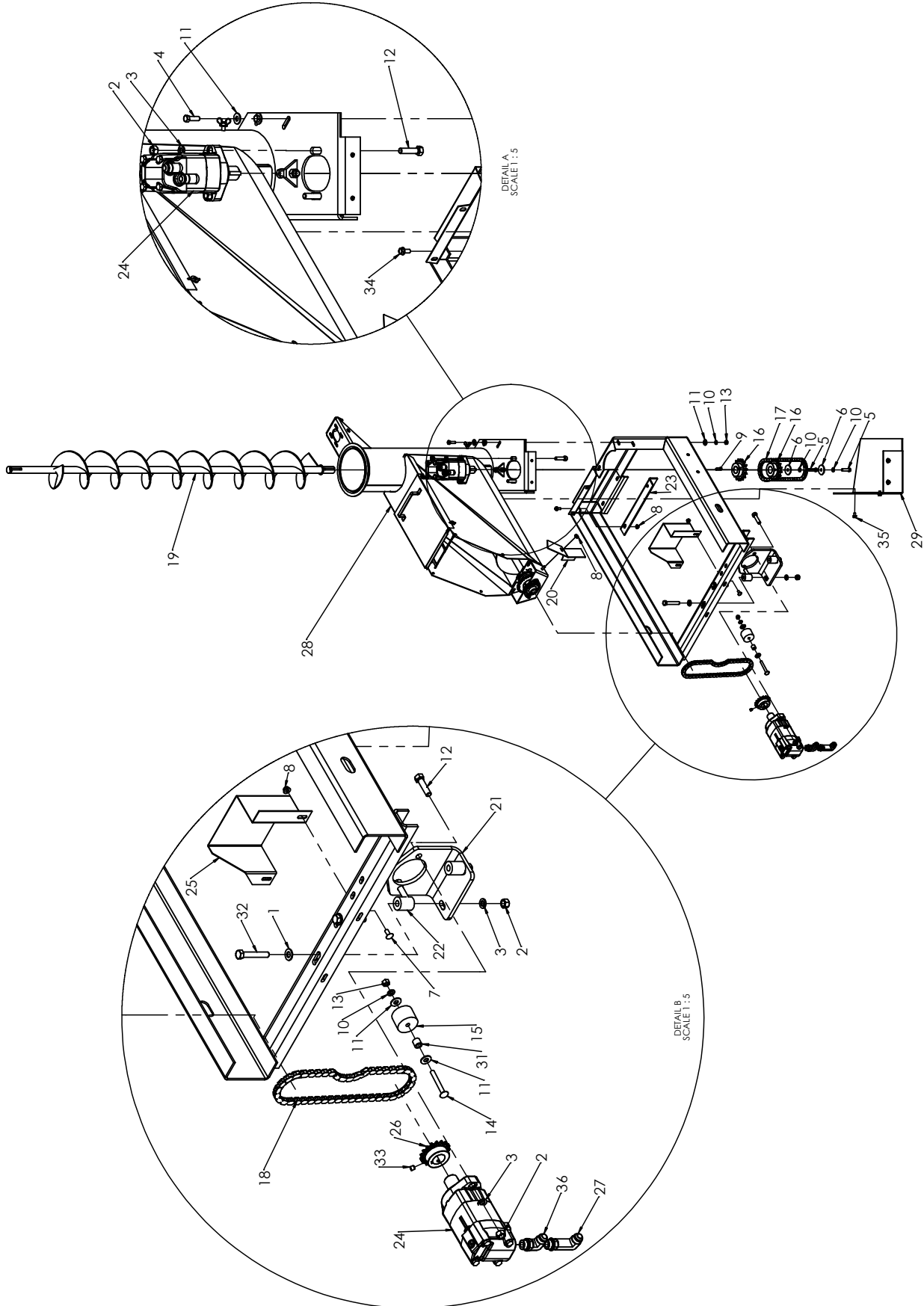
ITEM NO.	PART NUMBER	DESCRIPTION	QTY.
33	023770	NUT, HEX 7/16-14 GR2, ZN	2
34	027260	NUT, HEX 3/8-16 GR5, ZN	4
35	528690	CLUTCH, A-66 CASTING 1-1/4	1
36	149581203	WASHER, 1.28 X 2.00 X 0.105 PLN	2
37	035180	BOLT, CRG 3/8-16 X 1.25 GR5	1
38	025710	RING, 1.25 SNAP	1
39	035230	SCREW, 1/4-20 X 0.75 TR HD, G2, ZN	2
40	040820	FEED DEFLECTOR	1
41	041540	PIN, CLEVIS 3/8 X 2.38 ZN	2
42	528700	CLUTCH, A-67 CASTING 1-1/4	1
43	105210	HANDLE, CLUTCH	1
44	108850	BEARING, 1.12 SOD SPRING LOCK	2
45	529460	SHIELD, LOWER GEARS	1
46	144730	SPACER, 1/2 INCH LONG	1
47	144740	SPACER, 7/8 INCH LONG	1
48	151450	FORK, DISCHARGE CLUTCH	1
49	157860	CHAIN ASSEMBLY, RC40 X 61P	1
50	158200	ROD, CLUTCH, 500	1
51	158210	ARM WELDMENT, CLUTCH	1
52	158230	AUGER WELDMENT, PUSH	1
53	529130	SHAFT, BACK AUGER DRIVE 1-1/4	1
54	041440	TIGHTENER, CHAIN	1
55	560570	GRATE, DISCHARGE	1
56	158280	COVER WELDMENT, BACK HOPPER	1
57	162140	SHIELD, PUSH AUGER	1
58	167090	SPACER, BEARING	1
59	167100	GASKET, FILLER	1
60	170530	BOLT, CRG 3.8-16 X 1.0 GR5, ZN	7
61	185900	STRIP, SEAL, DISCHARGE C.O.	1
62	529440	DISCHARGE WELD., FIRST SECT.	1
63	117550	BOLT, CRG 3/8-16 X 2.25 GR2, ZN	1
64	JN71292	BOLT, HXHD 5/16-18 X 1/2 FLG GR5 ZN	4
65	461780	BEARING, 1.25 SOD SPRING LOCK	1

HOPPER & DRIVE ASSEMBLY, DISCHARGE



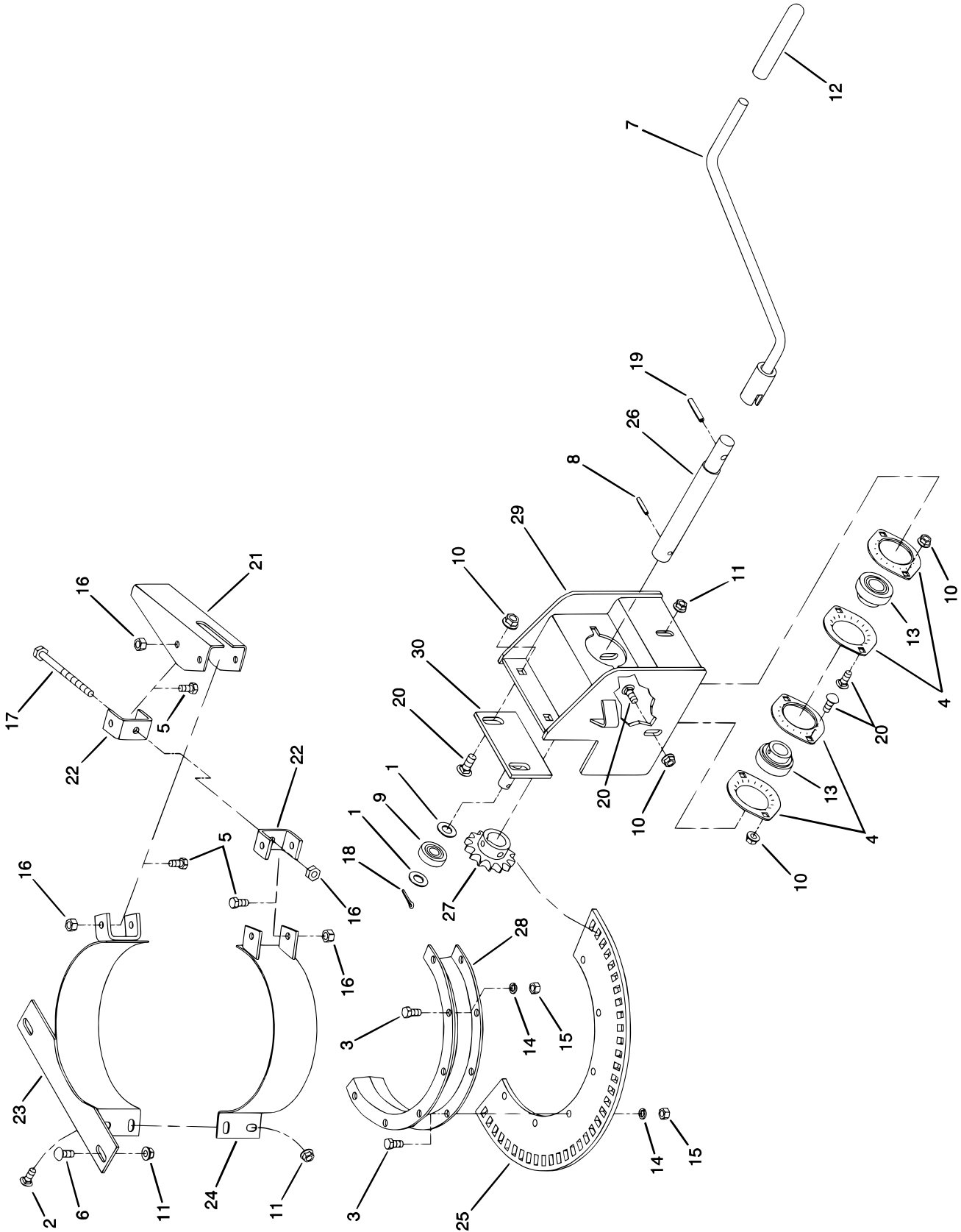
ITEM NO.	PART NUMBER	DESCRIPTION	QTY.
1	597080	DISCHARGE WLDT,	1
2	167090	SPACER, BEARING	1
3	021610	FLG, 1-1/8 BRG	4
4	108850	BEARING ASSY,	2
5	158230	AUGER WLDT,	1
6	170530	BOLT, CRG 3/8-16 x 1 SSN Gr5 ZN	7
7	020180	NUT, LOCK 3/8-16 Gr5 ZN HEX FLG	7
8	020760	Key, Square 5/16 x 1-1/8	1
9	020240	SPROCKET, 40B24	1
10	185900	STRIP, SEAL	1
11	012520	DOOR	1
12	022920	WASHER, FLAT 5/16 STD	2
13	009790	Nut, Wing 5/16-18 Type A ZN	2
14	560570	GRATE, DISCHARGE	1
15	023260	WASHER, FLAT 1/4 STD	6
16	020700	COTTER PIN, 3/16 X 2 1/2	4
17	040820	DEFLECTOR, FEED	1
18	158280	COVER WLDT,	1
19	019150	FLG, 1-1/8 BRG	2
20	461780	BEARING ASSY,	1
21	529710	RING, FLANGETTE	1
22	114380	NUT, JAM 1/2-13 HEX	1
23	007080	HBOLT 0.5000-13x2.5x1.25-N	1
24	560650	GASKET, FILLER	1
25	023270	NUT, LOCK 1/4-20 HEX NYLON INSERT	2
26	035230	SCREW, THMS 1/4-20	2
27	012410	BOLT, CRG 5/16-18x3/4 SSN ZN	2
28	020190	Nut, Lock 5/16-18 Gr5 ZN Hex FLG	2

DISCHARGE ASSEMBLY, HYDRAULIC



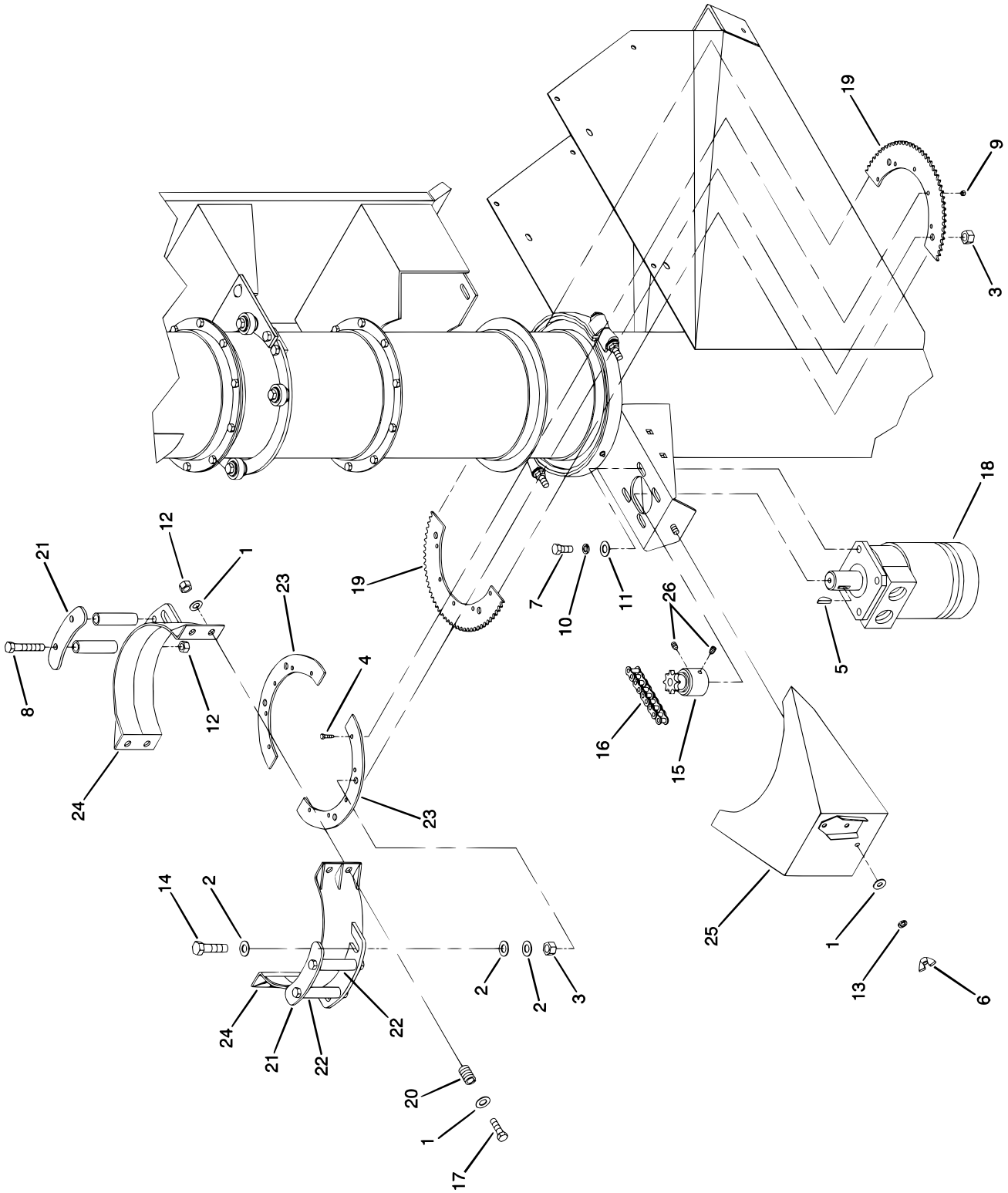
ITEM NO.	PART NUMBER	DESCRIPTION	QTY.
1	005200	WASHER, FLAT 1/2 STD	2
2	005360	NUT, HEX, 1/2" Z5	6
3	005370	WASHER, LOCK 1/2 ZN	6
4	006690	BOLT, HHCS 3/8-16X1-1/4 GR5 ZN	3
5	011370	HBOLT 0.3750-16X1.5X1.5-N	2
6	012270	WASHER, FLAT	2
7	012410	BOLT, CRG 5/16-18X3/4 SSN ZN	2
8	020190	NUT, LOCK 5/16-18 GR5 ZN HEX FLG	4
9	020760	KEY, SQUARE 5/16 X 1-1/8	1
10	021180	WASHER, LOCK 3/8 ZN	6
11	021190	WASHER, FLAT 3/8 STD 7/16X X5/64 ZN	8
12	023950	BOLT, HHCS 1/2-13 X 2 GR5 ZN	4
13	027260	NUT, HEX 3/8-16 GR5 ZN	4
14	033430	BOLT, CRG, 3/8-16 X 3.00 GR5 ZN	1
15	041440	TIGHTENER, CHAIN	1
16	260070	SPROCKET, 60B15	2
17	475460	CHAIN, ROLLER	1
18	576230	CHAIN, ROLLER	1
19	554540	AUGER WLDT, VERT	1
20	575800	SHIELD, BEARING	1
21	576110	BRACKET, LOWER	1
22	576120	BUSHING, SPACER	2
23	576170	ANGLE, REAR	1
24	576240	MOTOR, HYD 9.6 CID	2
25	576310	SHIELD, HYD PUSH	1
26	576970	SPROCKET, 40B17	1
27	591990	ELBOW, 90<MOD-DEG> X-LONG	2
28	597090	HOPPER & DRIVE	1
29	597110	SHIELD, LOWER	1
31	602080	SPACER, .375ID X .625L	1
32	990840	BOLT, HHCS 1/2-13 X 3.00 GR5 ZN	2
33	1070121	SCREW, HSSS, 3/8-16 X 3/4 NYLON LOCK BLO	2
34	JN10212	SCREW, FLG 5/16-18 X 3/4 GR5 ZN HEX	1
35	JN71292	SCREW, FLG 5/16-18 X 1/2 GR5 ZN HEX	4
36	MP907670	ELBOW-90D-10 ORB	2

SWIVEL ASSEMBLY, MECHANICAL DISK DRIVE



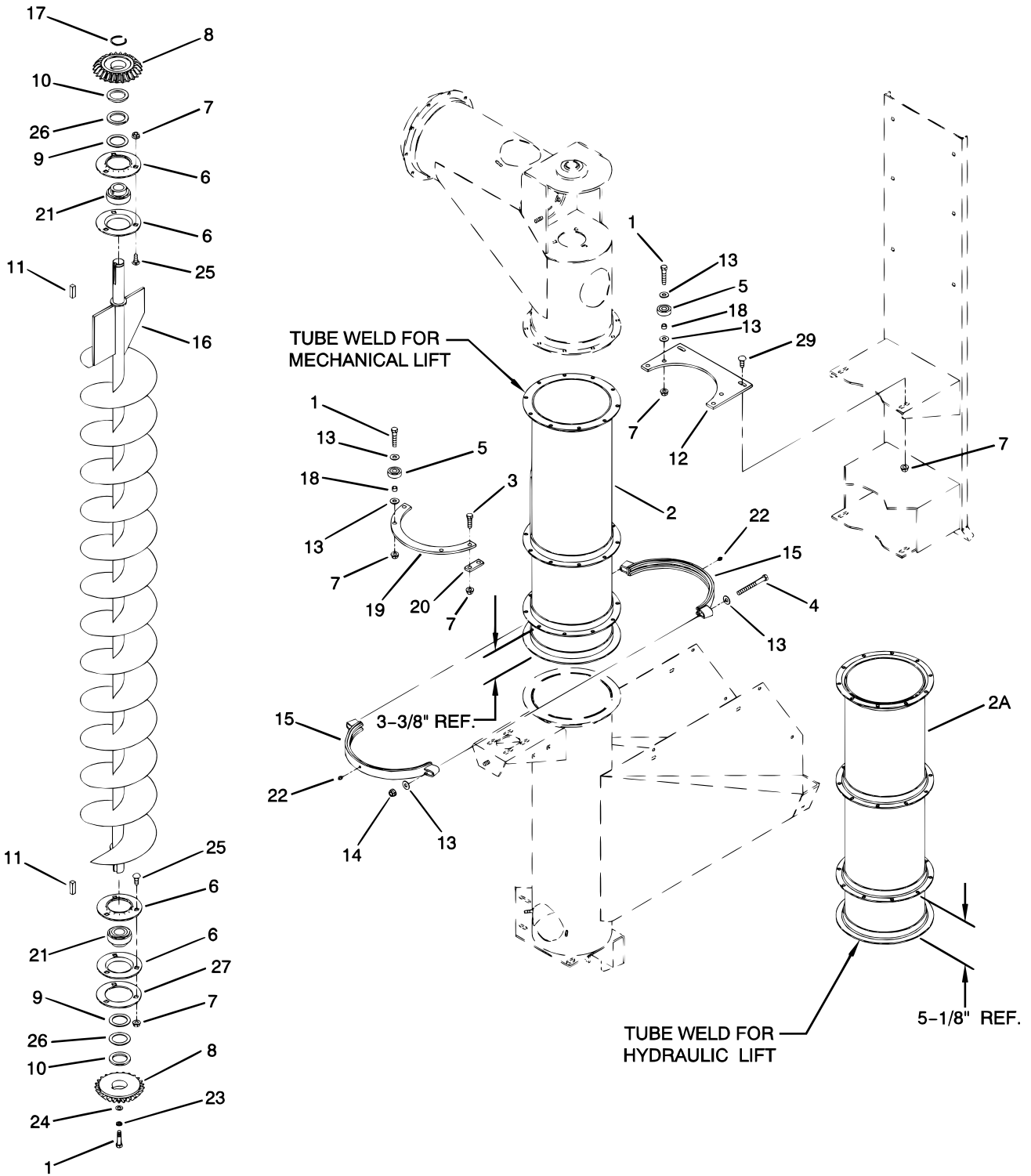
ITEM NO.	PART NUMBER	DESCRIPTION	QTY.
1	I120396	WASHER, FLAT 0.531 X 1.06 X 0.074 ZN	2
2	I14994R1	BOLT, CRG 5/16-18 X 1.0 NK, GR2	2
3	005900	BOLT, HHCS 5.16-18 X 1.0 GR5, ZN	12
4	008580	FLANGETTE, BEARING 2 BOLT 0.75	4
5	012140	BOLT, HHCS 5/16-18 X 0.75 GR5, ZN	6
6	012410	BOLT, CRG 5/16-18 X 0.75 GR5, ZN	2
7	012500	CRANK ASSEMBLY, BACK AUGER	1
8	012560	PIN, EXPANSION 3/16 X 1.0	1
9	013750	BEARING, 1/2 INCH BALL, SPECIAL	1
10	020180	NUT, HEX FLNG LOCK 3/8-16	8
11	020190	NUT, HEX FLNG LOCK 5/16-18	5
12	020640	GRIP, PLASTIC	1
13	021680	BEARING, 3/4 INCH ADAPTER, S.O.D.	2
14	023620	WASHER, LOCK, 5/16 INCH ZN	12
15	023630	NUT, HEX 5/16-18 GR5, ZN	12
16	025670	NUT, LOCK 5/16-18 HEX DSTHD	7
17	028200	BOLT, HHCS 5/16-18 X 4.5 GR5, ZN	1
18	034360	PIN, COTTER 1/8 X 1.0	1
19	169220	PIN, SPRING 1/4 X 1.38 SLOTTED	1
20	170530	BOLT, CRG 3/8-16 X 1.0 GR5, ZN	8
21	206490	HANDLE, BRAKE	1
22	206500	YOKE, BRAKE	2
23	206510	BAND WELDMENT, HANDLE HALF	1
24	206520	BAND WELDMENT, PLAIN HALF	1
25	217670	DISK, HALF SWIVEL DRIVE	1
26	217740	SHAFT, SWIVEL DRIVE	1
27	217750	SPROCKET, 50B8, 3/4 INCH BORE	1
28	367320	RING HALF WELD., DISK DRIVE	1
29	367360	BRACKET WELD., MECH. SWING	1
30	367400	ROD, IDLER WELDMENT	1

SWIVEL ASSEMBLY, HYDRAULIC



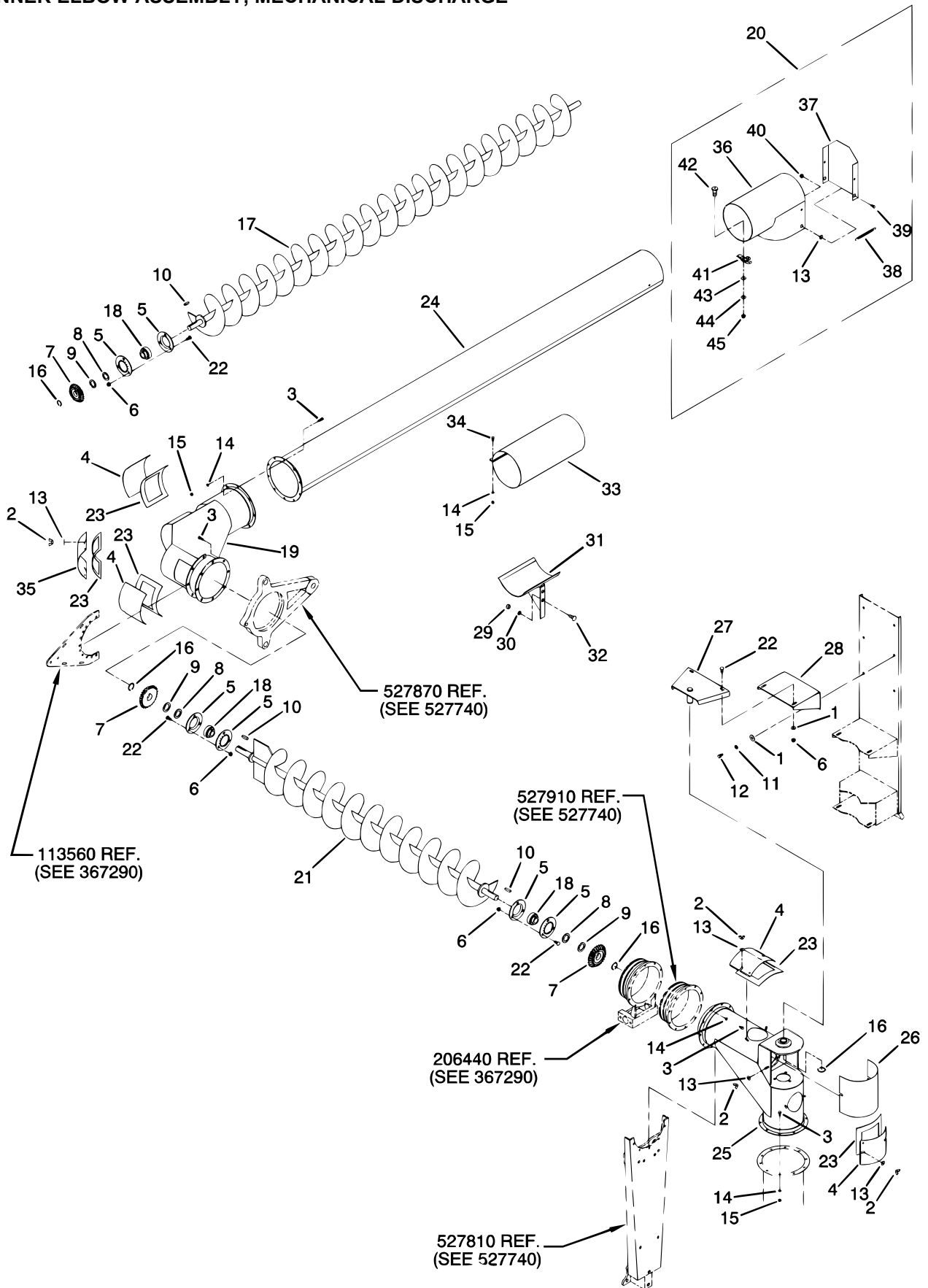
ITEM NO.	PART NUMBER	DESCRIPTION	QTY.
1	1120394	WASHER, FLAT 3/8 SAE	8
2	1120396	WASHER, FLAT 1/2 SAE	12
3	005360	NUT, HEX 1/2-13	8
4	005900	BOLT, HHCS 5/16-18 X 1	10
5	006180	KEY, WOODRUFF 1/4 X 1	1
6	009790	NUT, WING 5/16-18	1
7	012260	BOLT, HHCS 3/8-16 X 1	4
8	990870	BOLT, HHCS 3/8-16 X 3-1/2	4
9	020190	NUT, HEX FLG LOCK 5/16-18	10
10	021180	WASHER, LOCK 3/8	4
11	021190	WASHER, FLAT 3/8 STD	5
12	023060	NUT, LOCK 3/8-16 DISTHRD	8
13	023620	WASHER, LOCK 5/16	1
14	023950	BOLT, HHCS 1/2-12 X 2	4
15	458500	SPROCKET ASSY, 60B10	1
16	366540	CHAIN, RC60 60P	1
17	037790	BOLT, HHCS 3/8-16 X 2	4
18	111090	MOTOR, HYD 20 CU IN DISP.	1
19	458490	SPROCKET, HALF 60A54	2
20	258540	SPRING, COMP. 0.40 X 0.75 X 0.78	4
21	349470	PLATE, CLAMP	2
22	528640	SPACER, 0.675 OD X 0.493 ID X 2.59	4
23	387220	PLATE, SPROCKET BOLT HALF	2
24	528610	BAND ASSY, WIDE HALF SLIP	2
25	364040	SHIELD ASSY, SWIVEL MOTOR	1
26	010990	SCREW, SET 5/16-18 X 5/16	2

DISCHARGE ASSEMBLY, 29" MECHANICAL VERTICAL OR HYDRAULIC



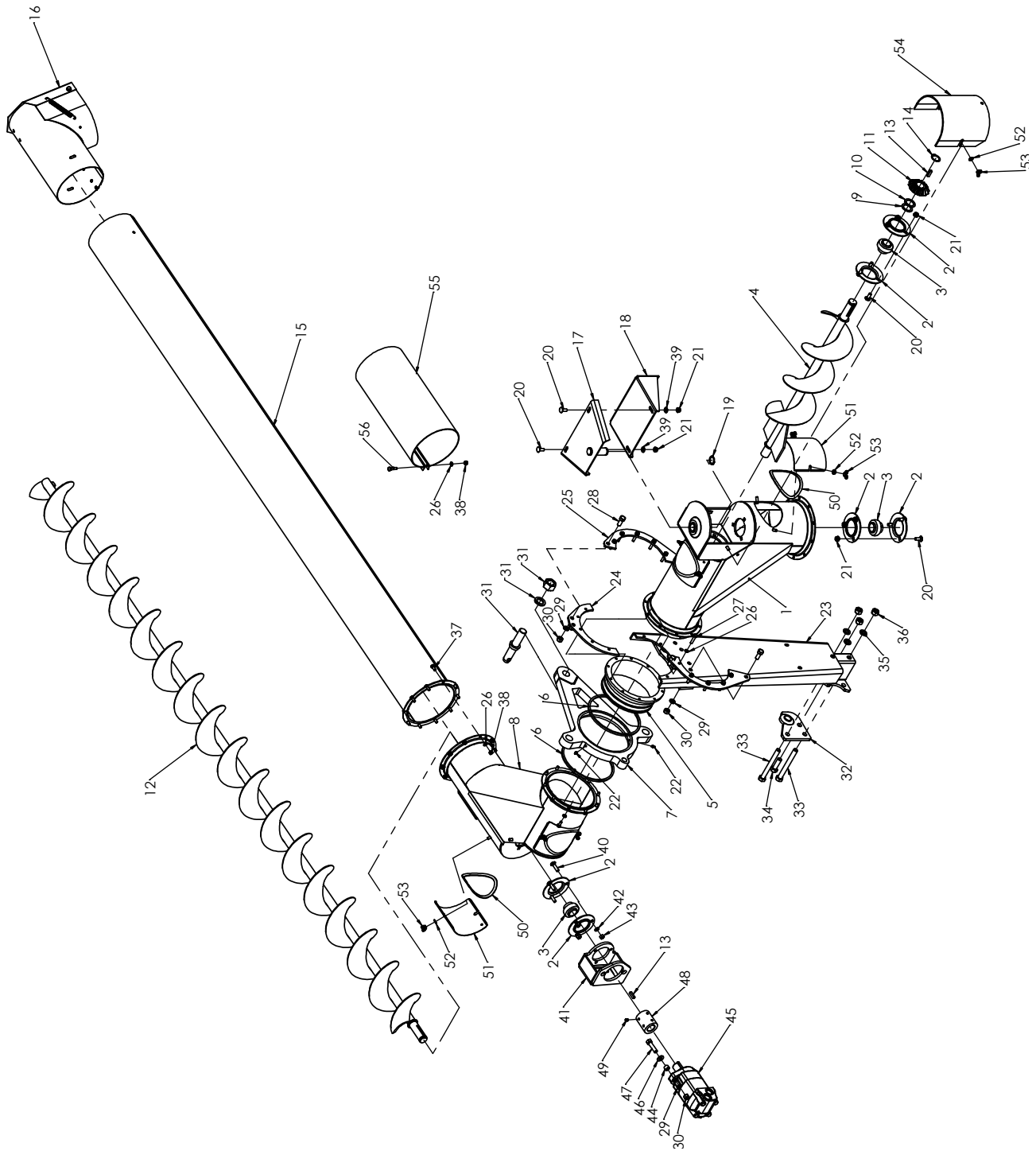
ITEM NO.	PART NUMBER	DESCRIPTION	QTY.
1	011370	BOLT, HHCS 3/8-16 X 1.5 GR5 ZN	5
2	366890	TUBE WLDT., 29 INCH VERTICAL MECHANICAL LIFT	1
-2A	560160	TUBE WLDT., 29 INCH VERTICAL HYDRAULIC LIFT	1
3	012260	BOLT, HHCS 3/8-16 X 1.0 GR5 ZN	4
4	990820	BOLT, HHCS 3/8-16 X 3.0 GR5 ZN	2
5	013750	BEARING, BALL 1/2 INCH SPECIAL	4
6	019150	FLANGETTE, BRG 1.12-3 BOLT RND	4
7	020180	NUT, LOCK 3/8-16 HEX FLG GR5	16
8	461790	GEAR, BEVEL 14T 1.25 INCH BORE	2
9	020910	WASHER, FLAT 1.25 X 1.85 X 0.062 ZN	2
10	020880	WASHER, FLAT 1.25 X 1.75 X 0.141 ZN	2
11	020760	KEY, SQ. 5/16 X 1.12 LG	2
12	367180	BRACKET, SWIVEL RING	2
13	021190	WASHER, FLAT 0.438 X 1.0 X 0.083 ZN	12
14	023060	NUT, LOCK 3/8-16 FIN. HEX GRA	2
15	188340	CLAMP WLDT., HEAVY SWIVEL	2
16	554540	AUGER WLDT., VERT DISCHARGE 29 INCHES	1
17	025710	RING, 1.25 SNAP	1
18	038380	SPACER, 3/8 X 1/2 X 5/16 LONG	4
19	046060	RING, SWIVEL	1
20	046130	BRACKET, SWIVEL RING ATTACH	2
21	461780	BEARING, 1.25 SOD	2
22	115590	ZERK, 1/4-28 TAPER DR THREAD	2
23	021180	WASHER, LOCK 3/8	1
24	012270	WASHER, FLAT 13/32 X 1.75 X 9/64	1
25	170530	BOLT, CRG 3/8-16 X 1 SSN	8
26	020920	WASHER, FLAT 1-1/4 X 3/64	2
27	529710	RING, FLANGETTE REINFORCING	1

INNER ELBOW ASSEMBLY, MECHANICAL DISCHARGE



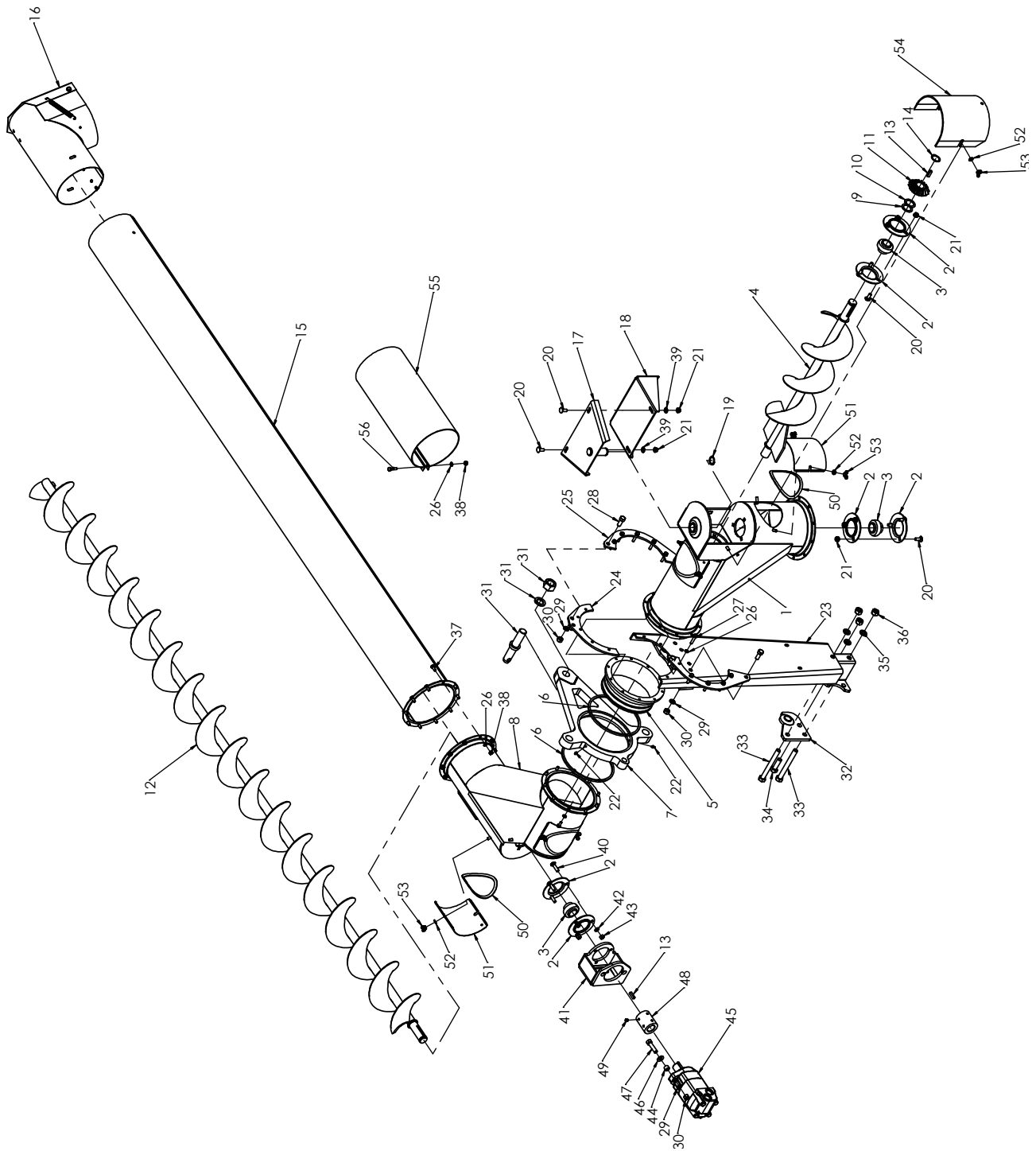
ITEM NO.	PART NUMBER	DESCRIPTION	QTY.
1	1120374	WASHER, FLAT 0.406 X 0.812 X 0.051	4
2	009790	NUT, WING 5/16-18	12
3	012140	BOLT, HHCS 5/16-18 X 0.75 GR5 ZN	20
4	012520	DOOR, CLEANOUT	4
5	019150	FLANGE, 1-1/8 BRG 3-BOLT RND	6
6	020180	NUT, HEX FLG LK 3/8-16	11
7	461790	GEAR, BEVEL, 14T, 1-1/4 BORE	3
8	020910	WASHER, FLAT 1.25 X 1.75 X 0.134	6
9	020880	WASHER, FLAT 1.25 X 1.75 X 0.06	3
10	020760	KEY, PAR, 5/16 SQ. X 1.12	3
11	021180	WASHER, LOCK 3/8 INCH	2
12	022420	BOLT, HHCS 3/8-16 X 0.75 GR5 ZN	2
13	022920	WASHER, FLAT 0.38 X 0.88 X 0.083	12
14	023620	WASHER, LOCK 5/16 ZN	23
15	023630	NUT, HEX 5/16-18 GR5, ZN	23
16	025710	RING, 1.25 SNAP	3
17	528670	AUGER WELDMENT (TILTED RH FLIGHT 7 INCH X 118.5)	1
18	461780	BEARING, 1.25 SOD SPRING LOCK	3
19	132871	ELBOW ASSEMBLY, LIGHT	1
20	152100	HOOD ASSY, DISCHARGE AUGER	1
21	554470	AUGER WELDMENT (TILTED RH FLIGHT 7 INCH X 34.88)	1
22	170530	BOLT, CRG 3/8-16 X 1.0 GR5 ZN	11
23	185900	STRIP, SEAL, DISCHARGE C.O.	4
24	205990	TUBE WELDMENT, 8 X 103 X 16 GA.	1
25	366820	ELBOW WELDMENT, 105 INNER	1
26	366830	COVER, GEAR	1
27	366860	ANCHOR WELDMENT, BEARING	1
28	379240	BRACKET, 105 BOLT ON EXT.	1
29	005360	NUT, HEX 1/2-13 GR5 ZN	1
30	005370	WASHER, LOCK 1/2 INCH	1
31	043480	HOLDER WELDMENT, UNLOADING	1
32	005390	BOLT, CRG 1/2-13 X 1.0 SSN GR5 ZN	1
33	461230	WRAP, DISCHARGE	1
34	030030	BOLT, HHCS 5/16-18 X 1-1/4	3
35	040870	SHIELD, BEVEL GEAR	1
36	035200	RIM, 1.12 SNAP	1
37	152110	HOOD, WELDMENT	1
38	152170	DOOR, DISCHARGE HOOD	1
39	100750	SPRING	1
40	006880	BOLT, HHCS 5/16 X 5/8	2
41	025670	NUT, NEX 5/16-18 LOCK	2
42	I669184R1	CLAMP	2
43	I159920	SCREW, PHMS #10-24 X 1/2	4
44	W144750056	WASHER, #10 FLAT	4
45	120600	WASHER, #10 LOCK	4
46	120590	NUT, #10-24 HEX	4

DISCHARGE ASSEMBLY, UPPER HYDRAULIC



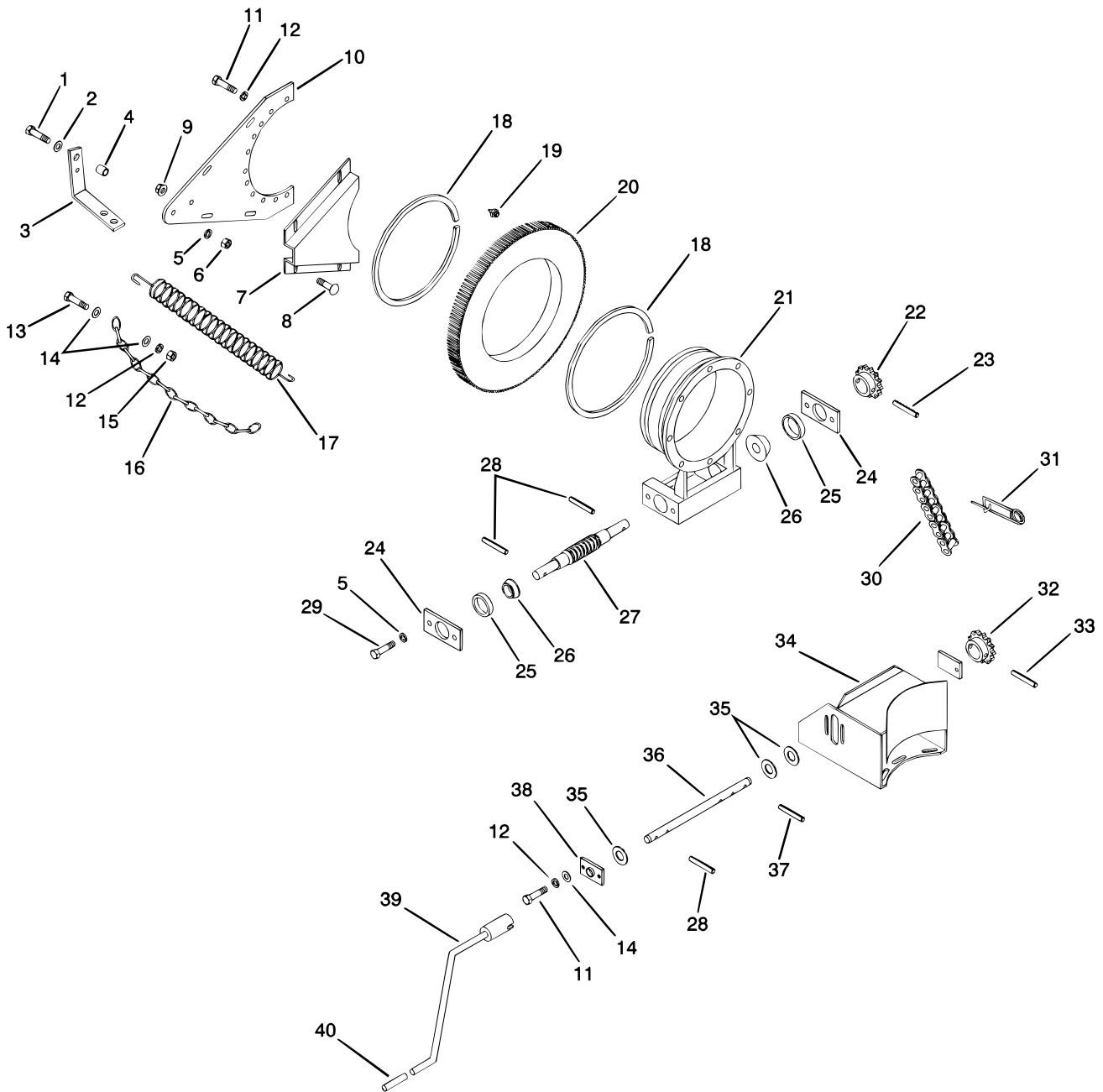
ITEM NO.	PART NUMBER	DESCRIPTION	QTY.
1	366820	ELBOW WELDMENT	1
2	019150	FLG, 1-1/8 BRG	8
3	461780	BEARING ASSY,	4
4	597050	AUGER WLDT, HS	1
5	527910	HOLDER, HYD LIFT	1
6	104360	RING, RETAINING	2
7	527870	LEVER WLDT, CYL	1
8	132871	ELBOW WLDT	1
9	020880	WASHER, FLAT	1
10	020910	WASHER, FLAT	1
11	461790	GEAR, BEVEL 14T	1
12	528670	AUGER WLDT, TILTED	1
13	020760	Key, Square 5/16 x 1-1/8	2
14	025710	RING, SNAP	1
15	205990	TUBE WELDMENT**	1
16	152100	HOOD ASSEMBLY	1
17	366860	ANCHOR WLDT,	1
18	379240	BRACKET, 105	1
19	035200	RING, SNAP	1
20	170530	BOLT, CRG 3/8-16 x 1 SSN Gr5 ZN	11
21	020180	NUT, LOCK 3/8-16 Gr5 ZN HEX FLG	11
22	115590	FITTING, GREASE	2
23	527810	ARM WLDT, VERTICAL	1
24	534740	PLATE, SPACER	1
25	534730	PLATE, SUPPORT	2
26	023620	WASHER, LOCK 5/16 ZN 5	33
27	025760	BOLT, HHCS 5/16-18x1 1/2	10
28	010730	HBOLT 1/2-13 x 1.25" GR5 ZN	4

DISCHARGE ASSEMBLY, UPPER HYDRAULIC (CONTINUED)



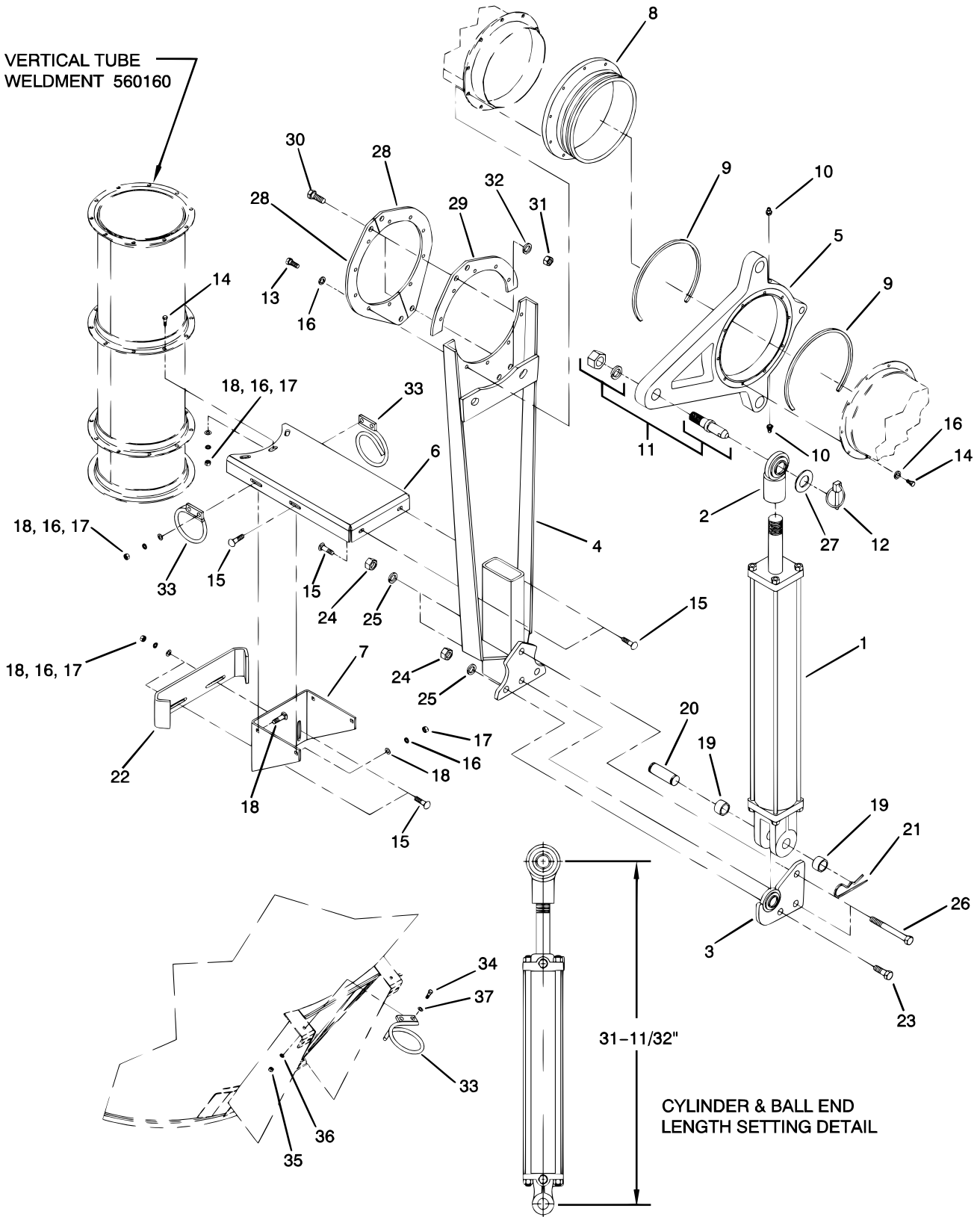
ITEM NO.	PART NUMBER	DESCRIPTION	QTY.
29	005370	WASHER, LOCK 1/2 ZN	6
30	005360	NUT, HEX, 1/2" Z5	6
31	I472790R2	STUD,WASHER, & NUT	1
32	527780	MOUNT WLDT	1
33	201660	BOLT, HHCS 5/8-11 x 6" Gr5 ZN	2
34	990620	BOLT,HHCS 5/8-11x2	1
35	020440	WASHER, LOCK 5/8	3
36	I124589	NUT, HEX 5/8-11 GR5 ZN	3
37	012140	BOLT, HEX, 5/16" X 3/4" Z5	20
38	023630	NUT, HEX 5/16-18 GR5 ZN	13
39	I120394	WASHER, FLAT 3/8 SAE	2
40	J03H1558	RHSNBOLT 0.375-16x1.5x1.5-N	3
41	576010	MOUNT WLDT,	1
42	021180	WASHER, LOCK 3/8 ZN	3
43	027260	NUT, HEX 3/8-16 GR5 ZN	3
44	576490	BUSHING, SPACER	2
45	576240	MOTOR, HYD 9.6 CID	1
46	005200	WASHER, FLAT 1/2 STD	2
47	023950	BOLT, HHCS 1/2-13 x 2 Gr5 ZN	2
48	576130	COUPLER, SHAFT	1
49	1070121	Screw, HSSS, 3/8-16 x 3/4 Nylon Lock BLO	4
50	185900	STRIP, SEAL	4
51	012520	DOOR	4
52	022920	WASHER, FLAT 5/16 STD	10
53	009790	Nut, Wing 5/16-18 Type A ZN	10
54	366830	COVER, GEAR	1
55	461230	WRAP	1
56	030030	BOLT, HHCS 5/16-18 x1-1/4 GR5 ZN	3

RING & WORM GEAR ASSEMBLY, MECHANICAL



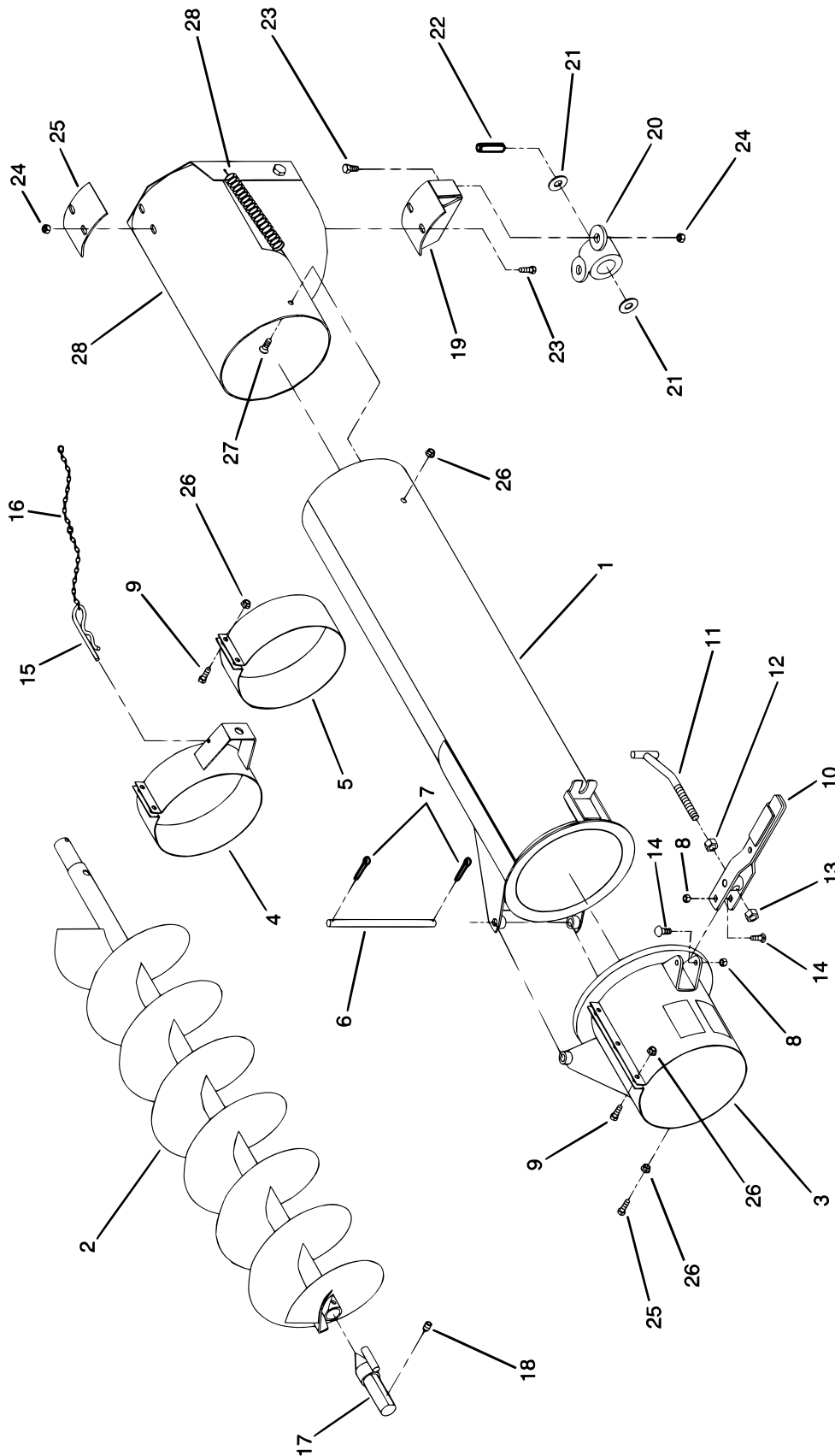
ITEM NO.	PART NUMBER	DESCRIPTION	QTY.
1	012260	BOLT, HHCS 3/8-16 X 1 INCH	1
2	021190	WASHER, FLAT 3/8 INCH	1
3	213310	BRACKET, LIFT ASSIST SPRING	1
4	033460	SPACER, 0.375 X 0.281	1
5	021180	WASHER, LOCK 3/8	5
6	027260	NUT, HEX 3/8-16	1
7	214140	CHANNEL, LEVER BRACE	1
8	254060	BOLT, CRG 5/16-18 X 1 INCH	4
9	020190	NUT, HEX FLANGE LOCK 5/16-18 X 1 INCH	4
10	113560	LEVER, LIFT	1
11	012140	BOLT, HHCS 5/16-18 X 3/4 INCH	9
12	023620	WASHER, LOCK 5/16	11
13	005900	BOLT, HHCS 5/16-18 X 1 INCH	2
14	022920	WASHER, FLAT 5/16	7
15	023630	NUT, HEX 5/16-18	2
16	213430	CHAIN, 2/0 SAFETY	1
17	145590	SPRING, EXTENSION	1
18	104360	RING, RETAINING	2
19	115590	ZERK, 1/4-28	2
20	126230	GEAR, RING W/ 10 HOLES	1
21	206440	RING AND WORM HOLDER	1
22	206390	SPROCKET, 40B18 3/4 INCH BORE	1
23	013600	PIN, EXPANSION 1/4 INCH X 2 INCH	1
24	206470	PLATE, HOLDER	2
25	252720	CUP, BEARING	2
26	1758902	CONE, BEARING 3/4 INCH BORE	2
27	206430	WORM AND SHAFT	1
28	012550	PIN, EXPANSION 1/4 INCH X 1-1/4 INCH	3
29	011370	BOLT, HHCS 3/8-16 X 1-1/2 INCH	4
30	213530	CHAIN, ROLLER #40 X 144 PITCHES	1
31	140820	PIN, SAFETY 1/8 X 4-3/8 INCH	1
32	113520	SPROCKET, 40B9 5/8 INCH BORE	1
33	991100	PIN, EXPANSION 3/16 INCH X 1-1/4 INCH	1
34	371760	BRACKET, WLDT, LIFT ASSIST – PM20	1
35	035190	WASHER, FLAT 21/32 INCH	3
36	213340	SHAFT, LIFT ASSIST CRANK	1
37	012560	PIN, EXPANSION 3/16 X 1 INCH	1
38	114060	PLATE ASSY, ADJUSTMENT	2
39	012500	CRANK WLDT.	1
40	020640	GRIP, PLASTIC	1

DISCHARGE LIFT ASSEMBLY, HYDRAULIC



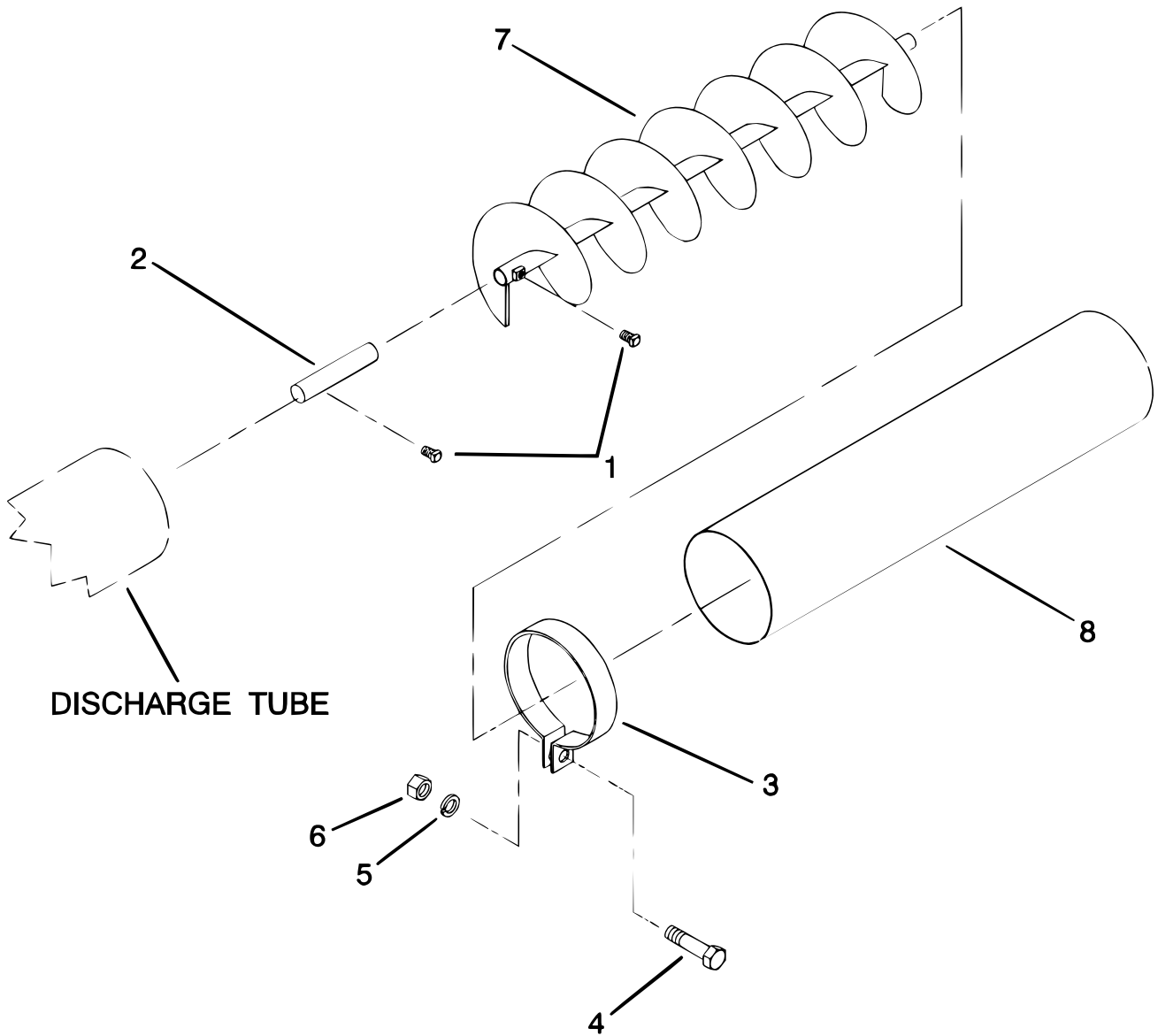
ITEM NO.	PART NUMBER	DESCRIPTION	QTY.
1	527750	CYL, HYD 3 X 16 CLEVIS, 1-1/4	1
	355350	SEAL KIT, CROSS (1-1/4 DIA. ROD) (IC4629(
	531440	SEAL KIT, PRINCE (1-3/8 DIA. ROD) (PMCK-BF-0520)	
2	527760	END WLDT., BALL 1.015 ID	1
3	527780	MOUNT WLDT, LOWER CYL	1
4	527810	ARM WLDT, VERT. CYL MNT	1
5	527870	LEVER, CYL LIFT	1
6	560170	CHANNEL, BRACE HYD LIFT	1
7	560180	BRACKET, BRACE SWING STOP	2
8	527910	HOLDER, HYD. LIFT DISCHARGE	1
9	104360	RING, RETAINING	2
10	115590	FITTING, 1/4-28 STR	2
11	I472790R2	STUD, NUT, AND LOCK WASHER	1
12	V240437	PIN, LYNCH	1
13	025760	BOLT, HHCS 5/16-18 X 1-1/2	10
14	012140	BOLT, HHCS 5/16-19 X 3/4	13
15	1111267	BOLT, CRG 5/16-18 X 1-1/4	8
16	023620	WASHER, LOCK 5/16	31
17	023630	NUT, HEX 5/16-18	11
18	022920	WASHER, FLAT 5/16 STD.	11
19	I1337411C1	BUSHING, 1.25 OD X 1.00 ID X 0.75	2
20	I43951648	PIN, CLEVIS 1 X 3 ZN	1
21	035830	PIN, BRIDGE 3/16 INCH INTERNAL	1
22	371930	STOP, SWING	1
23	990620	BOLT, HHCS 5/8-11 X 2	1
24	I124589	NUT, HEX 5/8-11	3
25	020440	WASHER, LOCK 5/8	3
26	201660	BOLT, HHCS 5/8-11 X 6	2
27	I49611119	WASHER, FLAT 1-1/8 X 2-1/4 X 0.134	1
28	534730	PLATE, SUPPORT CYL ARM	2
29	534740	PLATE, SPACER CYL ARM	1
30	010730	BOLT, HHCS 1/2-13 X 1-1/4	4
31	005360	NUT, HEX 1/2-13	4
32	005370	WASHER, LOCK 1/2	4
33	212610	HOLDER WLDT, RING HOSE	3
34	042960	BOLT, HHCS 1/4-20 X 1	1
35	027660	NUT, HEX 1/4-20	1
36	029440	WASHER, LOCK 1/4	1
37	023260	WASHER, FLAT 1/4 STD	1

DISCHARGE AUGER EXTENSION ASSEMBLY, FOLDING 3" & 6"



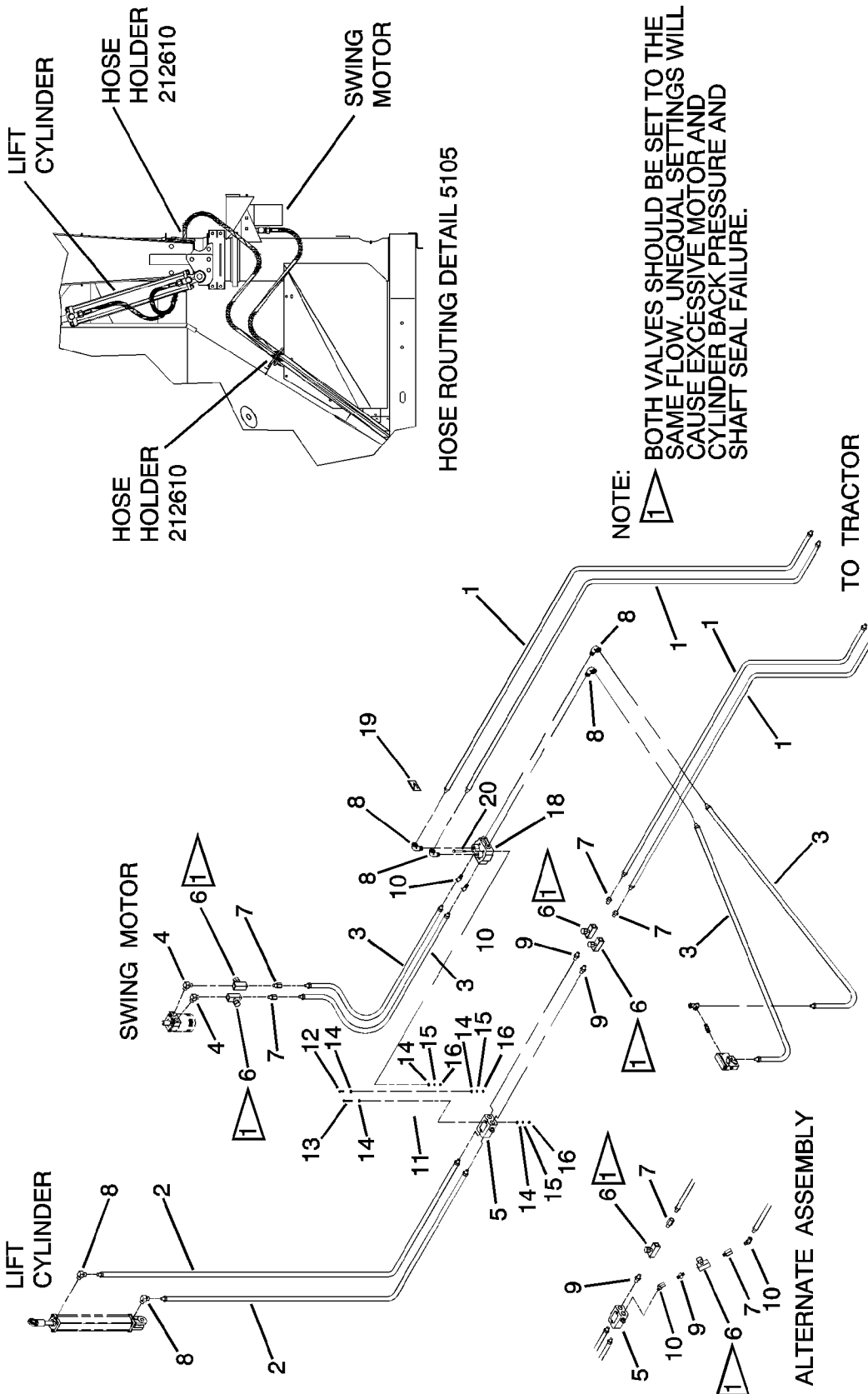
ITEM NO.	PART NUMBER	DESCRIPTION	QTY.
1	152150	3 FOOT EXTENSION TUBE	1
	152160	6 FOOT EXTENSION TUBE	1
2	528880	AUGER WLDT, TILTED 3 FOOT EXTENSION	1
	528900	AUGER WLDT, TILTED 6 FOOT EXTENSION	1
3	134250	PIVOT WELD, CLAMP-ON	1
	144650	DECAL, AUGER ENGAGEMENT	2
4	134240	CLAMP BAND WITH STRAP	1
5	134290	CLAMP BAND WITH PIN	1
6	144640	PIVOT PIN	1
7	034360	COTTER PIN, 1/8 DIA. X 1.0	2
8	025670	NUT, HEX LOCK, 5/16 NC	2
9	030030	BOLT, HEX HD, 5/16 NC X 1-1/4	7
10	127830	LOCKING HANDLE AND PIVOT ASSY	1
11	144270	T-BAR HANDLE	1
12	005360	NUT, HEX, 1/2 NC	1
13	127890	NUT, HEX LOCK, 1/2 NC	1
14	012410	BOLT, CARRIAGE, 5/16 NC X 3/4	2
15	035830	HAIRPIN, COTTER, 3/16 DIA. X 3	1
16	143700	CHAIN, 8 INCHES LONG	1
17	171160	PIVOT DRIVE WELD	1
18	008780	SET SCREW, SQ. HD., 7/16 NC X 3/4	1
19	134320	HANGER WELD, BEARING	1
20	134310	BEARING, PILLOW BLOCK, WOOD 1-1/8	1
21	020650	WASHER, FLAT 1-1/8 ID	4
22	013600	PIN, ROLL 1/4 DIA. X 2	1
23	022420	BOLT, HEX HD., 3/8 NC X 3/4	4
24	020180	NUT, FLANGE LOCK, 3/8 NC	4
25	152200	PLATE, BEARING MOUNT	1
26	020190	NUT, FLANGE LOCK, 5/16 NC	11
27	028230	MACHINE SCREW, TRUSS HD., 5/16 NC X 3/4	4
28	152100	HOOD ASSEMBLY, DISCHARGE AUGER	1
	528770	3 FOOT FOLDING DISCHARGE AUGER (ITEM 28 NOT INCLUDED)	
	528780	6 FOOT FOLDING DISCHARGE AUGER (ITEM 28 NOT INCLUDED)	

DISCHARGE AUGER EXTENSION ASSEMBLY, BOLT-ON 3' & 6'



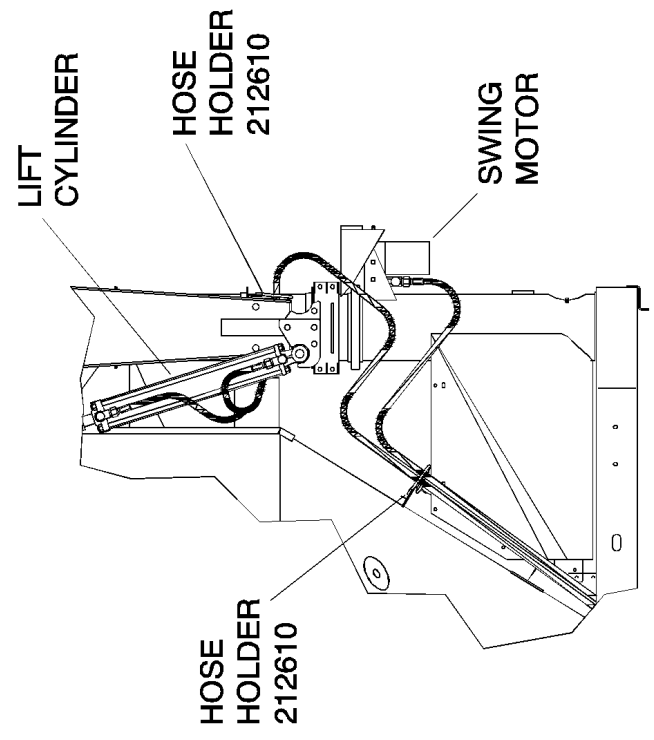
ITEM NO.	PART NUMBER	DESCRIPTION	QTY.
1	008780	SET SCREW, 7/16 X 3/4 SQ. HD.	
2	041130	SHAFT, 1.1 X 8	1
3	041140	BAND, CLAMPING	1
4	006690	BOLT, 3/8 X 1-1/4 HHCS	
5	021180	WASHER, 3/8 LOCK	
6	027260	NUT, 3/8 HEX	
7A	528920	AUGER, 3 FOOT EXTENSION	
7B	528940	AUGER, 6 FOOT EXTENSION	
8A	041040	TUBE, 3 FOOT EXT.	
8B	041070	TUBE, 6 FOOT EXT.	
	528790	KIT, 3 FOOT BOLT-ON EXTENSION, TILTED FLIGHTING	
	528800	KIT, 6 FOOT BOLT-ON EXTENSION, TILTED FLIGHTING	

HYDRAULIC PLUMBING, (LIFT & SWING WITH HYDRAULIC AUGER FEEDER)



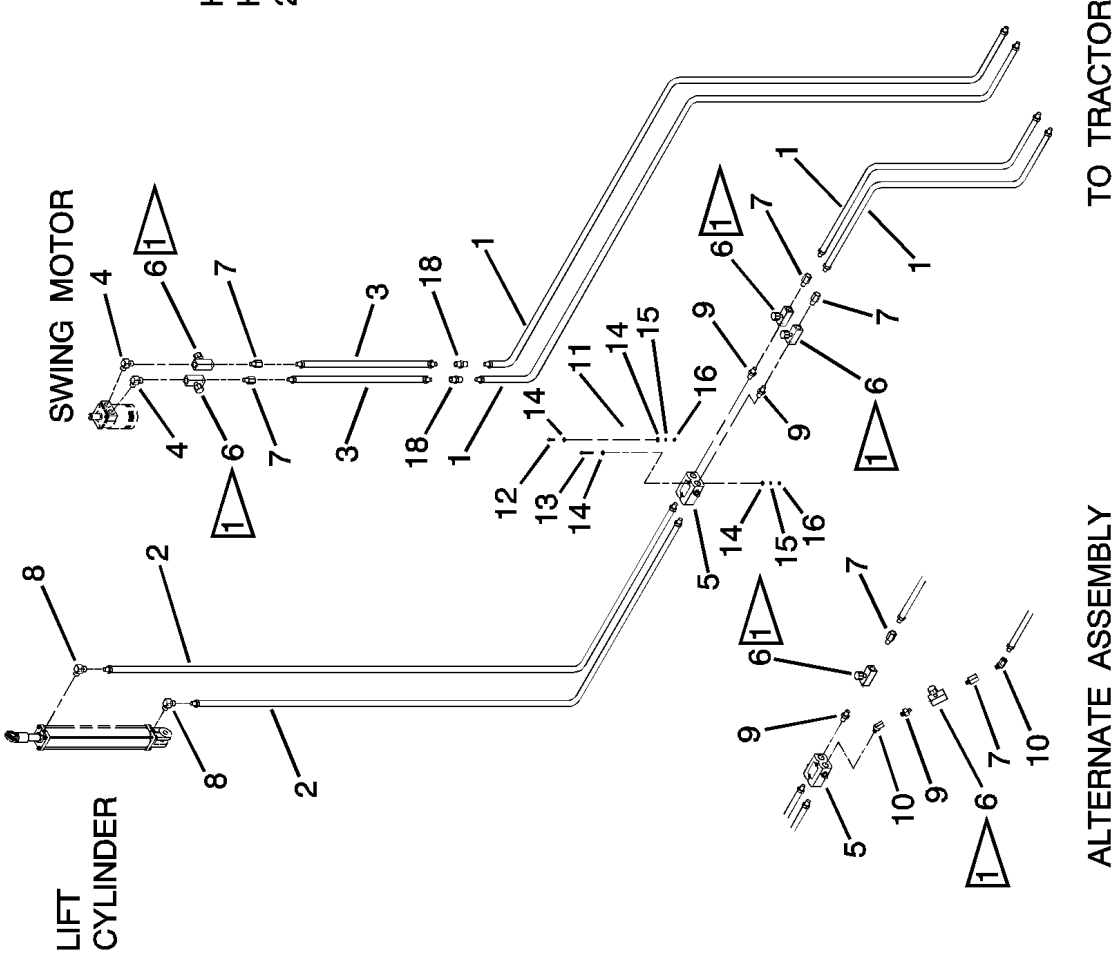
ITEM NO.	PART NUMBER	DESCRIPTION	QTY.
1	014250	HOSE, HYDRAULIC 100R2 1/2 INCH X 144 INCH SAE	4
2	385790	HOSE, HYDRAULIC 100R2 1/2 INCH X 180 INCH SAE	2
3	164560	HOSE, HYDRAULIC 100R2 1/2 INCH X 120 INCH SAE	4
4	274460	ELBOW, MALE 1/2 X 3/8 X 90 DEGREE NPTF	2
5	163280	VALVE, DUAL RELIEF 800 PSI	1
6	212490	VALVE, FLOW CONTROL **NOTE**	4
7	502570	BUSHING, REDUCER 1/2 X 3/8	4
8	166230	ELBOW, STREET 1/2 X 90 DEGREE NPTF	6
9	212480	ADAPTER, 1/2 NPT-3/8 NPT	2
10	270620	ADAPTER, 1/2-14 45 DEGREE STEEL STREET ELBOW	4
11	528390	BRACKET, HYD. VALVES	1
12	005900	BOLT, HHCS 5/16-18 X 1.0	2
13	009800	BOLT, HHCS 5/16-18 X 2-1/2	2
14	022920	WASHER, FLAT 5/16 STD.	12
15	023620	WASHER, LOCK 5/16	6
16	023630	NUT, HEX 5/16-18	6
17	149670	TIE, 3/16 X 11 CABLE	A/R
18	163290	VALVE, DOUBLE SELECTOR	1
	248060	VALVE KIT, HANDLE	
	277270	VALVE KIT, SEAL	
19	159460	DECAL, VALVE DIRECTION	1
20	160230	BOLT, HHCS 5/16-18 X 3.0	2
<p>NOTE: BOTH VALVES SHOULD BE SET TO THE SAME FLOW. UNEQUAL SETTINGS WILL CAUSE EXCESSIVE MOTOR AND CYLINDER BACK PRESSURE AND SHAFT SEAL FAILURE.</p>			

HYDRAULIC PLUMBING, (LIFT & SWING WITHOUT HYDRAULIC AUGER FEEDER)



HOSE ROUTING DETAIL 5105

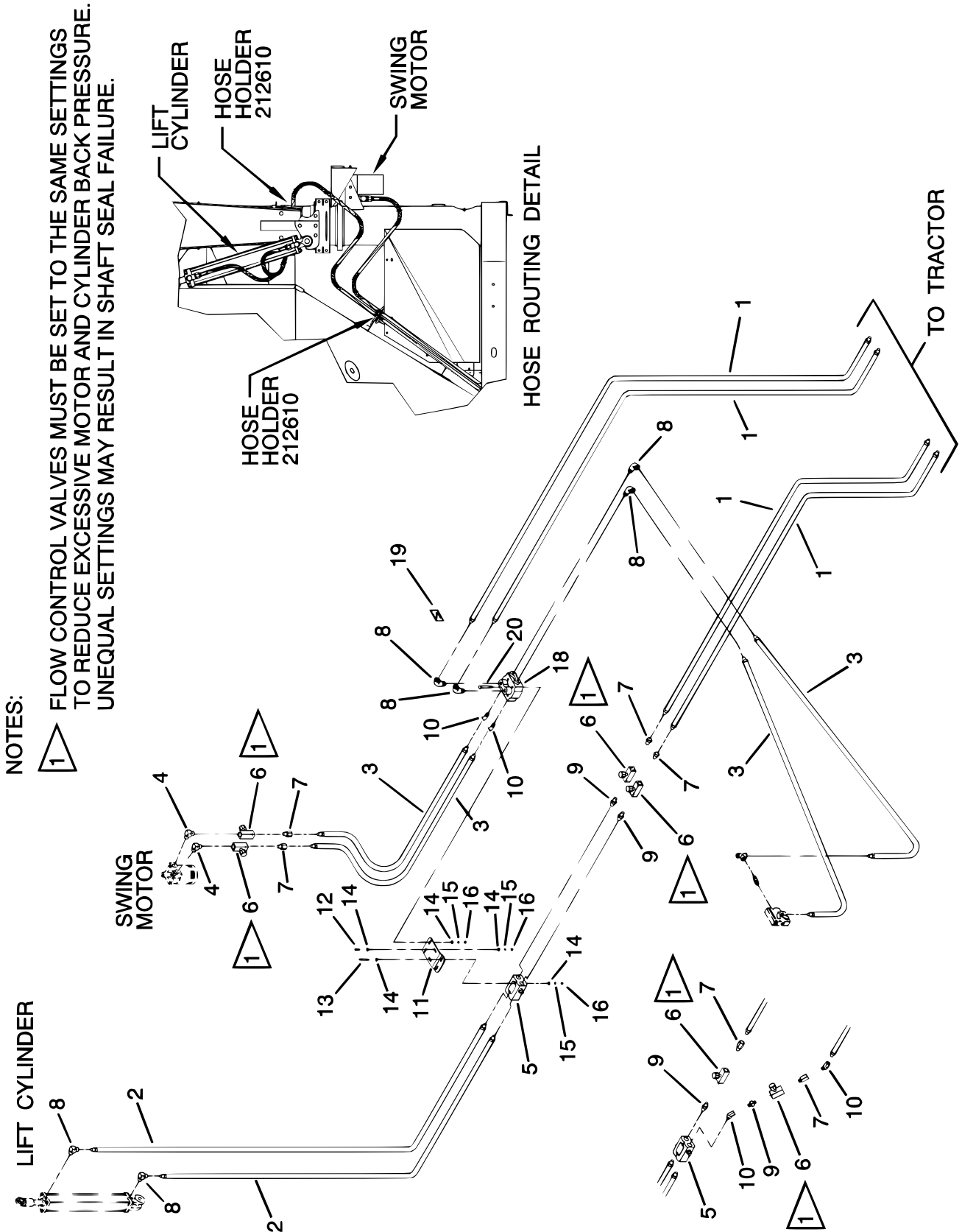
NOTE:  BOTH VALVES SHOULD BE SET TO THE SAME FLOW. UNEQUAL SETTINGS WILL CAUSE EXCESSIVE MOTOR AND CYLINDER BACK PRESSURE AND SHAFT SEAL FAILURE.



ITEM NO.	PART NUMBER	DESCRIPTION	QTY.
1	014250	HOSE, HYDRAULIC 100R2 1/2 INCH X 144 INCH SAE	4
2	385790	HOSE, HYDRAULIC 100R2 1/2 INCH X 180 INCH SAE	2
3	164560	HOSE, HYDRAULIC 100R2 1/2 INCH X 120 INCH SAE	2
4	274460	ELBOW, MALE 1/2 X 3/8 X 90 DEGREE NPTF	3
5	163280	VALVE, DUAL RELIEF 800 PSI	1
6	212490	VALVE, FLOW CONTROL **NOTE**	4
7	502570	BUSHING, REDUCER 1/2 X 3/8	4
8	166230	ELBOW, STREET 1/2 X 90 DEGREE NPTF	2
9	212480	ADAPTER, 1/2 NPT-3/8 NPT	2
10	270620	ADAPTER, 1/2-14 45 DEGREE STEEL STREET ELBOW	2
11	528390	BRACKET, HYD. VALVES	1
12	005900	BOLT, HHCS 5/16-18 X 1.0	2
13	009800	BOLT, HHCS 5/16-18 X 2-1/2	2
14	022920	WASHER, FLAT 5/16 STD.	8
15	023620	WASHER, LOCK 5/16	4
16	023630	NUT, HEX 5/16-18	4
17	149670	TIE, 3/16 X 11 CABLE	10
18	133460	ADAPTER, COUPLER FM 1/2-14 NPTF	2

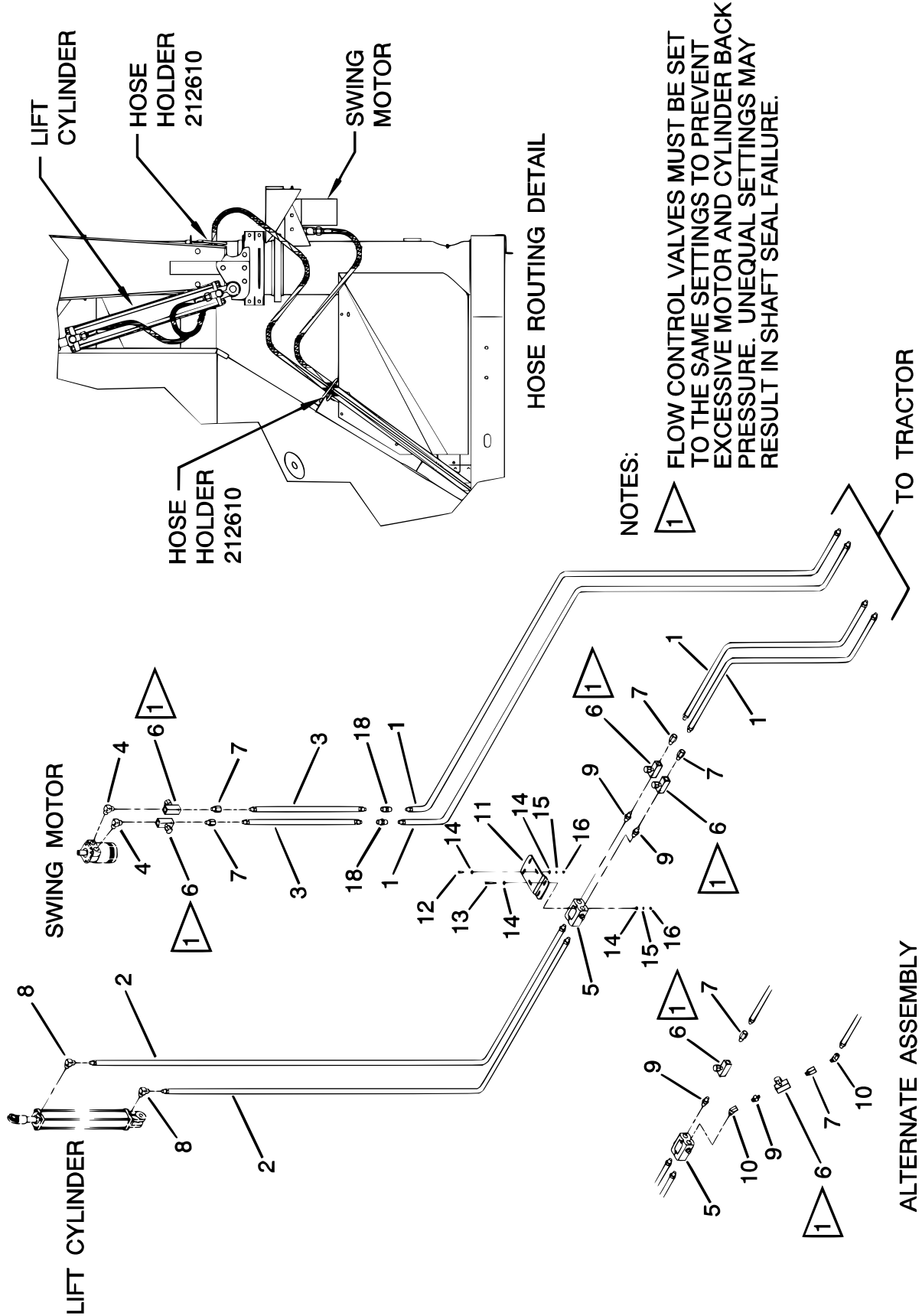
NOTE:
 BOTH VALVES SHOULD BE SET TO THE SAME FLOW. UNEQUAL
 SETTINGS WILL CAUSE EXCESSIVE MOTOR AND CYLINDER BACK
 PRESSURE AND SHAFT SEAL FAILURE.

HYDRAULIC PLUMBING, (LIFT & SWING WITH HYDRAULIC AUGER FEEDER)



ITEM NO.	PART NUMBER	DESCRIPTION	QTY.
1	014250	HOSE, HYDRAULIC 100R2 1/2 INCH X 144 INCHES SAE	4
2	385790	HOSE, HYDRAULIC 100R2 1/2 INCH X 180 INCHES SAE	2
3	164560	HOSE, HYDRAULIC 100R2 1/2 INCH X 120 INCHES SAE	4
4	274460	ELBOW, MALE 1/2 INCH X 3/8 INCH X 90 DEGREES NPTF	2
5	163280	VALVE, DUAL RELIEF 800 PSI	1
6	212490	VALVE, FLOW CONTROL (REFER TO NOTE)	4
7	502570	BUSHING, REDUCER 1/2 INCH X 3/8 INCH	4
8	166230	ELBOW, STREET 1/2 INCH X 90 DEGREES NPTF	6
9	212480	ADAPTER, 1/2 NPT-3/8 NPT	2
10	270620	ADAPTER, 1/2-14 45 DEGREE STEEL STREET ELBOW	4
11	528390	BRACKET, HYD VALVES	1
12	005900	BOLT, HHCS 5/16-18 X 1 INCH	
13	009800	BOLT, HHCS 5/16-18 X 2-1/2	
14	022920	WASHER, FLAT 5/16 STD	
15	023620	WASHER, LOCK 5/16	
16	023630	NUT, HEX 5/16-18	
17	149670	TIE, 3/16 X 11 CABLE	
18	163290	VALVE, DOUBLE SELECTOR	1
	248060	VALVE KIT, HANDLE	
	277270	VALVE KIT, SEAL	
19	159460	DECAL, VALVE DIRECTION	1
20	160230	BOLT, HHCS 5/16-18 X 3	
<p>NOTE :</p> <p>BOTH VALVES SHOULD BE SET TO THE SAME FLOW. UNEQUAL SETTINGS WILL CAUSE EXCESSIVE MOTOR AND CYLINDER BACK PRESSURE AND SHAFT SEAL FAILURE</p>			

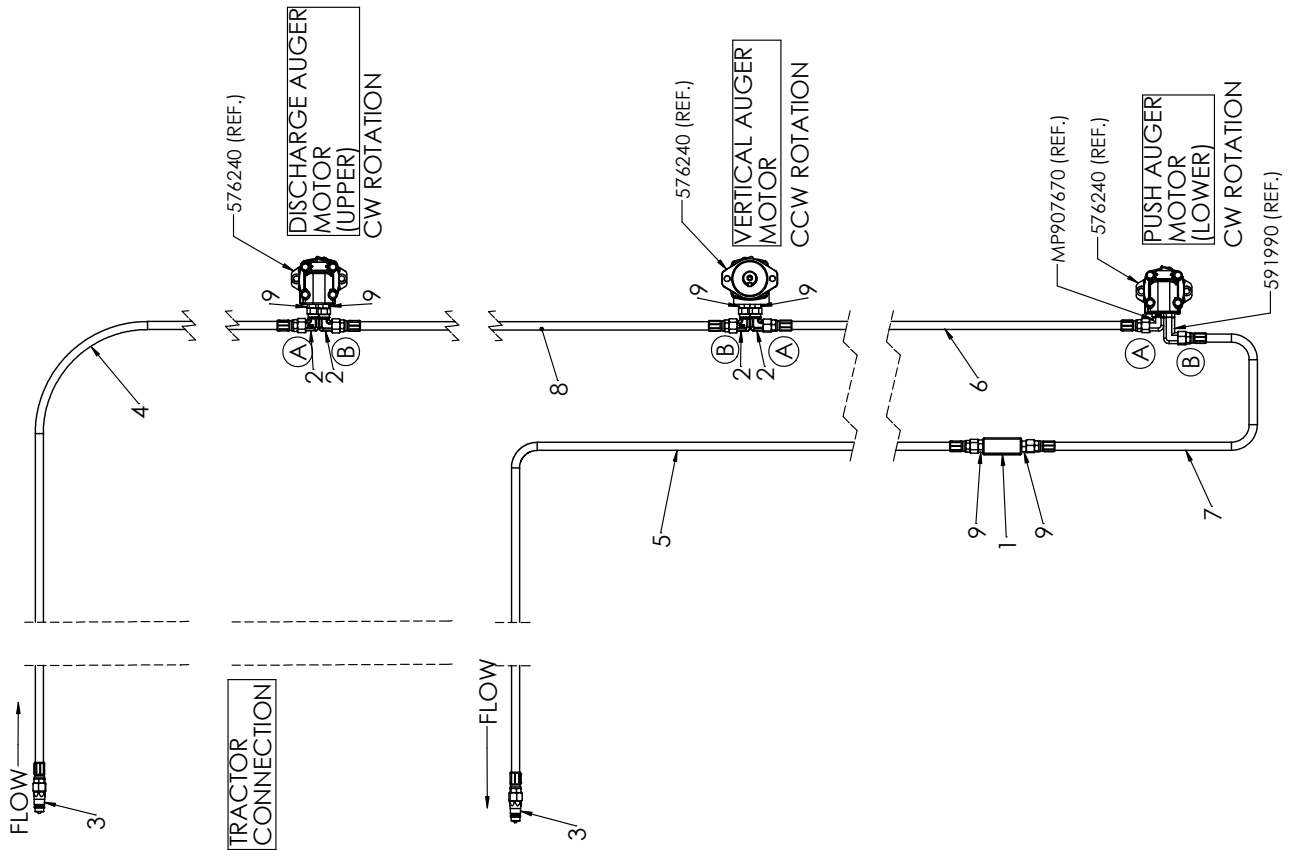
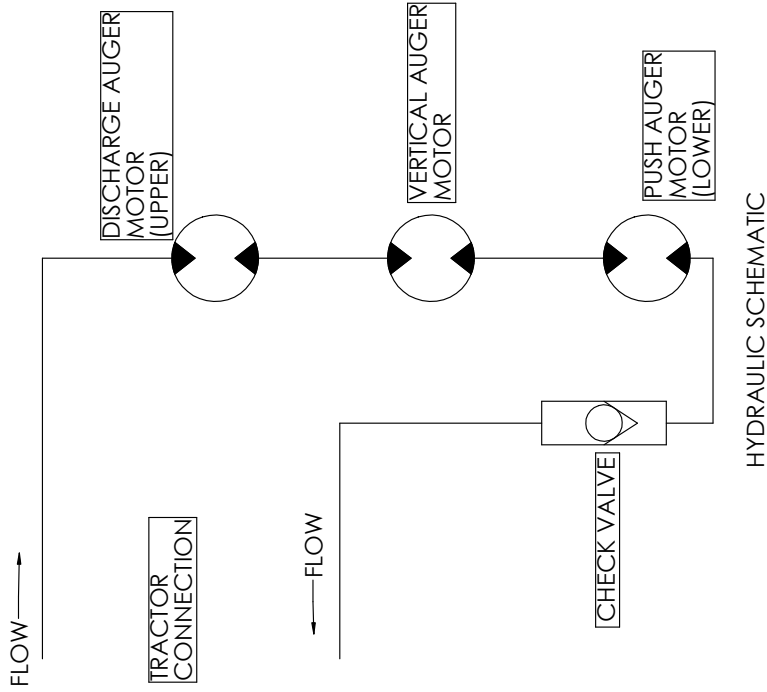
HYDRAULIC PLUMBING, (LIFT & SWING WITHOUT HYDRAULIC AUGER FEEDER)



ITEM NO.	PART NUMBER	DESCRIPTION	QTY.
1	014250	HOSE, HYDRAULIC 100R2 1/2 INCH X 144 INCHES SAE	4
2	385790	HOSE, HYDRAULIC 100R2 1/2 INCH X 180 INCHES SAE	2
3	164560	HOSE, HYDRAULIC 100R2 1/2 INCH X 120 INCHES SAE	2
4	274460	ELBOW, STREET 1/2 INCH X 3/8 INCH X 90 DEGREE NPTF	3
5	163280	VALVE, DUAL RELIEF 800 PSI	1
6	212490	VALVE, FLOW CONTROL (REFER TO NOTE)	4
7	502570	BUSHING, REDUCER 1/2 INCH X 3/8 INCH	4
8	166230	ELBOW, STREET 1/2 INCH X 90 DEGREES NPTF	2
9	212480	ADAPTER, 1/2 NPT-3/8 NPT	2
10	270620	ADAPTER, 1/2-14 NPT STR 45 DEGREES	2
11	528390	BRACKET, HYD VALVES 5165	1
12	005900	BOLT, HHCS 5/16-18 X 1	2
13	009800	BOLT, HHCS 5/16-18 X 2-1/2	2
14	022920	WASHER, FLAT 5/16 STD	8
15	023620	WASHER, LOCK 5/16	4
16	023630	NUT, HEX 5/16-18	4
17	149670	TIE, 3/16 X 11 CABLE	10
18	133460	ADAPTER, COUPLER FM 1/2-14 NPTF	2

NOTE :
 BOTH VALVES SHOULD BE SET TO THE SAME FLOW. UNEQUAL
 SETTINGS WILL CAUSE EXCESSIVE MOTOR AND CYLINDER BACK
 PRESSURE AND SHAFT SEAL FAILURE.

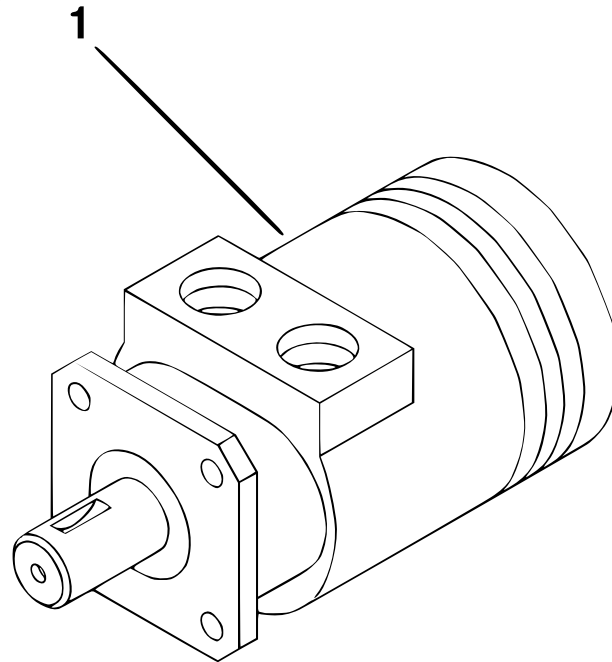
HYDRAULIC PLUMBING, HYDRAULIC DISCHARGE KIT



ITEM NO.	PART NUMBER	DESCRIPTION	QTY.
1	530340	VALVE, CHECK -10 ORB FEMALE O-RING INLINE	1
2	576080	FITTING, 90° ELBOW -10MJIC-10FJIC	4
3	576100	COUPLER, QUICK MALE	2
4	576260	HOSE, HYD 5/8X344 -10MORBX-10FJIC	1
5	576270	HOSE, HYD 5/8X155	1
6	576290	HOSE, HYD 5/8X57 -10FJIC	1
7	576300	HOSE, HYD 5/8X36 -10FJIC	1
8	585580	HOSE, HYD 5/8X236 -10FJIC	1
9	I2185062	ADAPTER, STR M7/8 JIC-M7/8 ORB	6

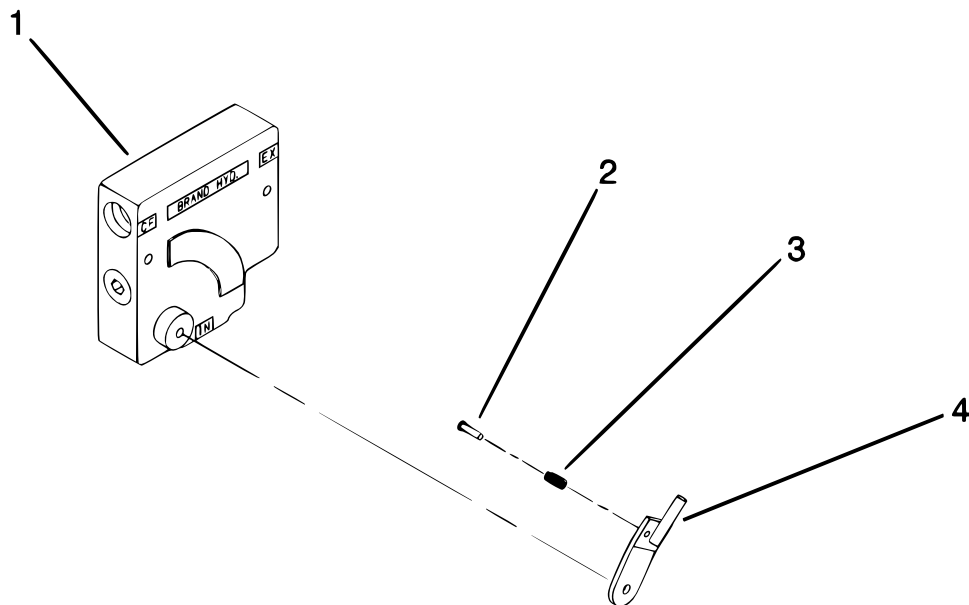
**THIS PAGE
LEFT
INTENTIONALLY
BLANK**

HYDRAULIC MOTOR KITS



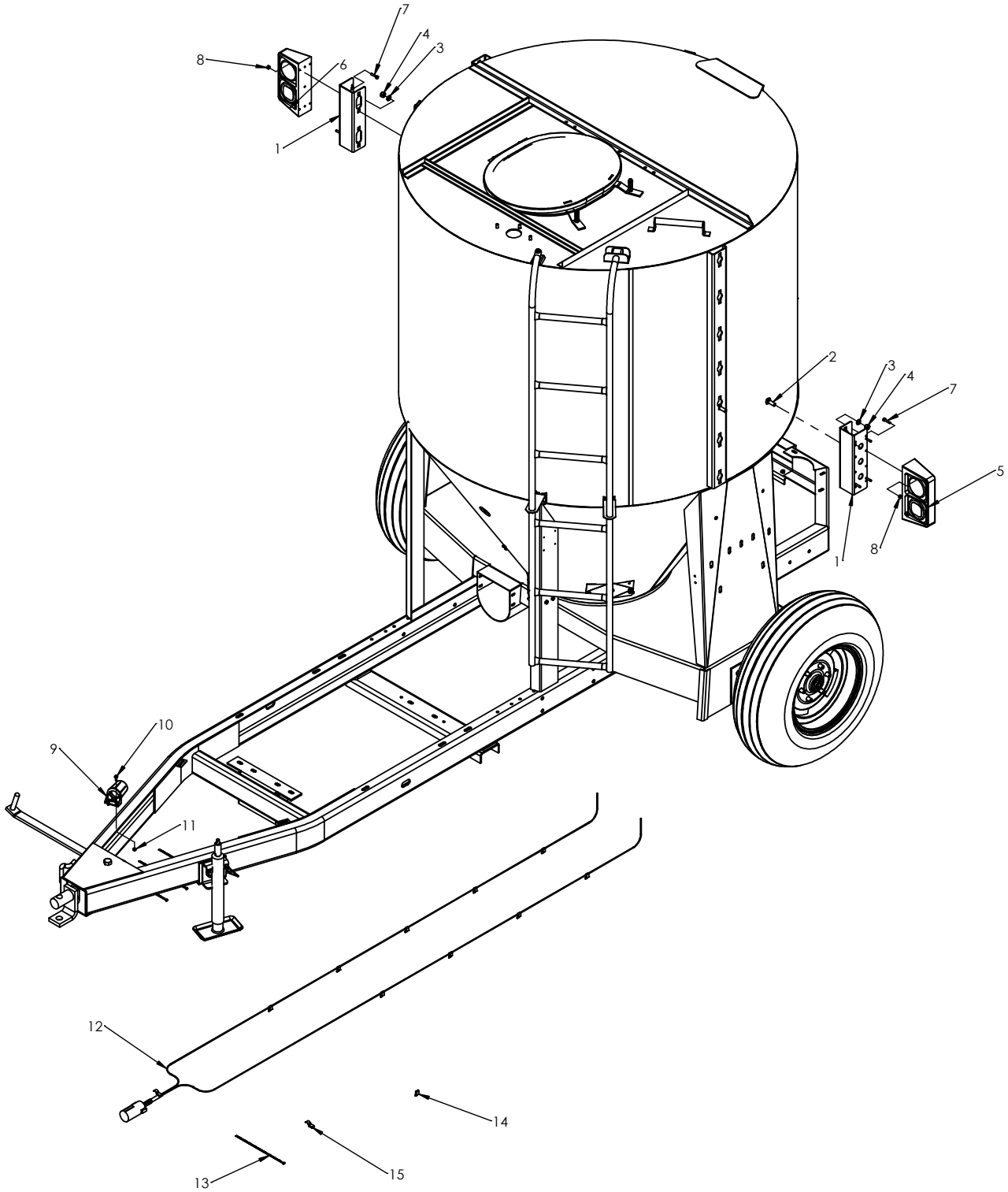
ITEM NO.	PART NUMBER	DESCRIPTION	QTY.
1	014280	MOTOR, HYDRAULIC (LIFT AND AUGER FEEDER)	
1	111090	MOTOR, HYDRAULIC (SWING)	
	243040	SEAL SKIT, ROSS TRW (014280 AND 111090)	
		SERIES MG #SK000090	

VALVE ASSEMBLY, HYDRAULIC FLOW CONTROL



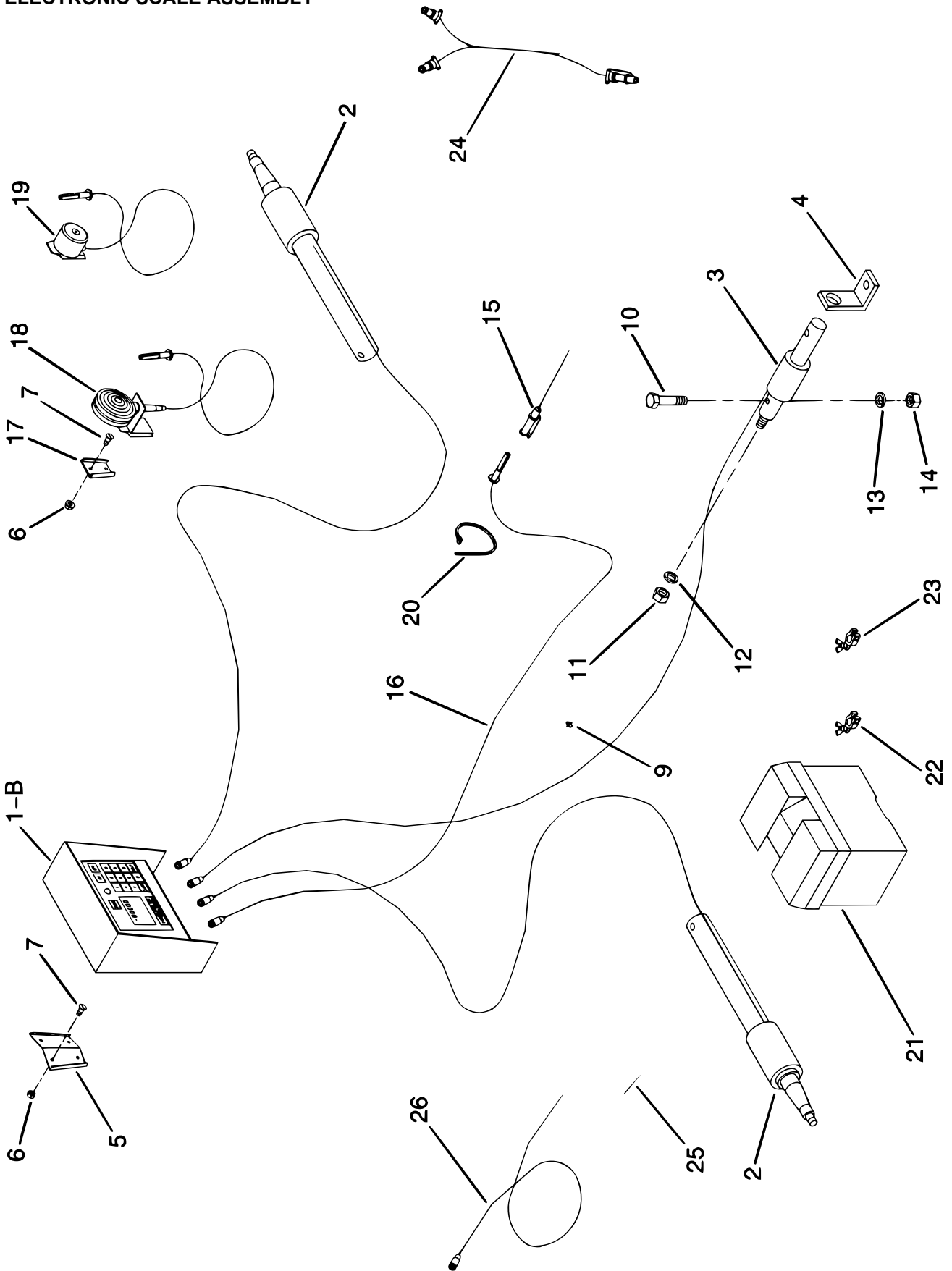
ITEM NO.	PART NUMBER	DESCRIPTION	QTY.
1	006301	VALVE, FLOW CONTROL W/O HANDLE	1
2	012172	PIN, CLEVIS 3/8 X 1	2
3	042390	SPRING, 0.415 X 0.5 X 1.045 ZN	2
4	161500	LEVER WELDMENT, HYD. CONTROL	1

HIGHWAY LIGHT KIT ASSEMBLY



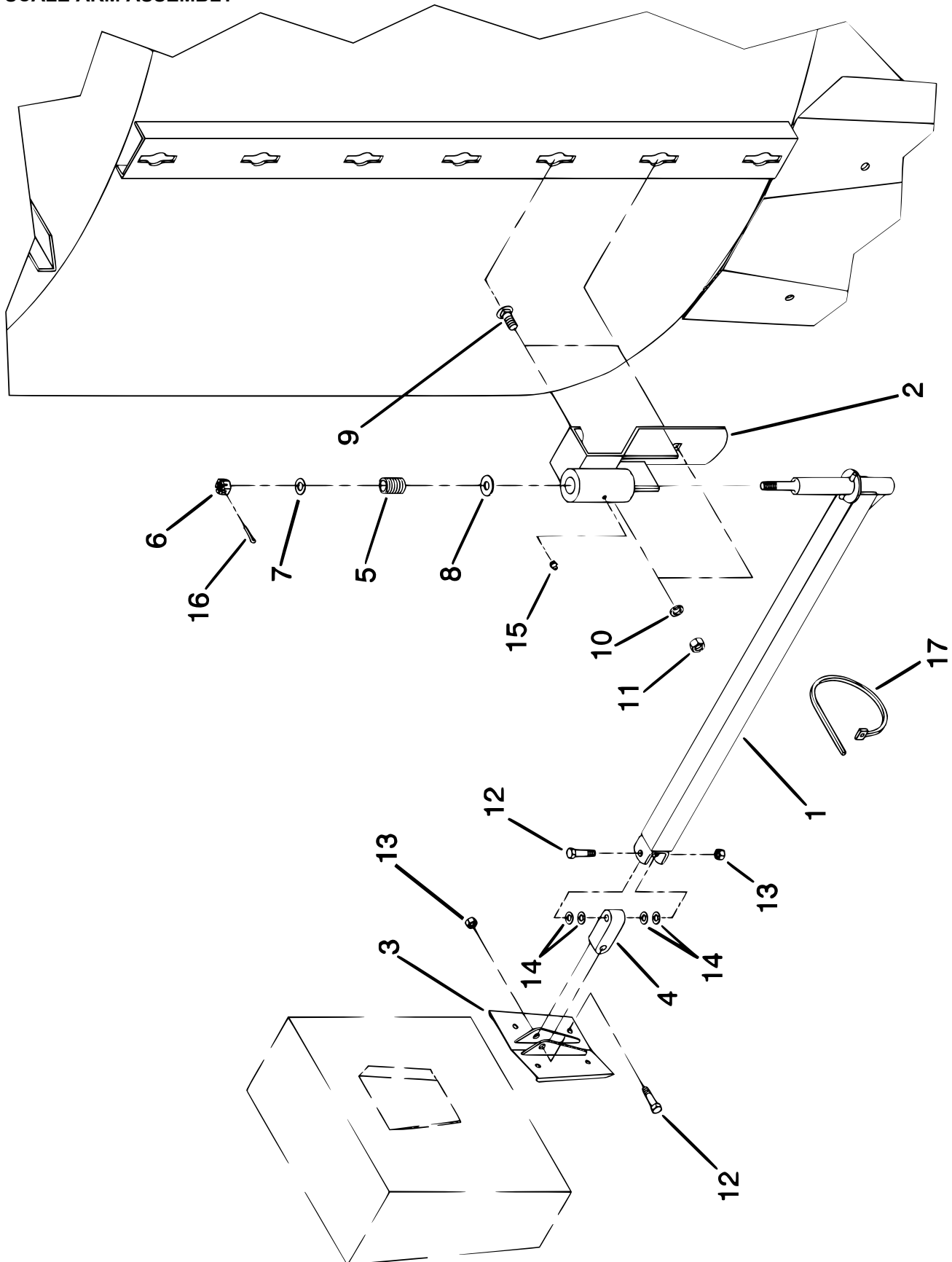
ITEM NO.	PART NUMBER	DESCRIPTION	QTY.
1	560810	BRACKET, LIGHT MTG	2
2	E096046	RHSNBOLT 0.5-13X2.25X1-1/2-N	4
3	005370	WASHER, LOCK 1/2 ZN	4
4	005360	NUT, HEX, 1/2" Z5	4
5	MP16.10742	LIGHT, DUAL LAMP, AMBER/RED - LH	1
6	MP16.10743	LIGHT, DUAL LAMP, AMBER/RED - RH	1
7	206070	BOLT, HHCS 1/4-20 X 1-1/4	8
8	037550	NUT, LOCK 1/4-20 HEX NYLON INSERT	8
9	JPT1296	BRACKET, STORAGE HOLDER 7 POLE	1
10	J37H3	BOLT, HHCS 1/4-20 X 3/4	2
11	027660	NUT, HEX 1/4-20 GR5 ZN	2
12	586360	HARNESS, WISHBONE 288"	1
13	149610	TIE, CABLE 3/16X11	4
14	590680	CLAMP, SMALL 1.135"	10
15	590690	CLAMP, MEDIUM 1.715"	2

ELECTRONIC SCALE ASSEMBLY



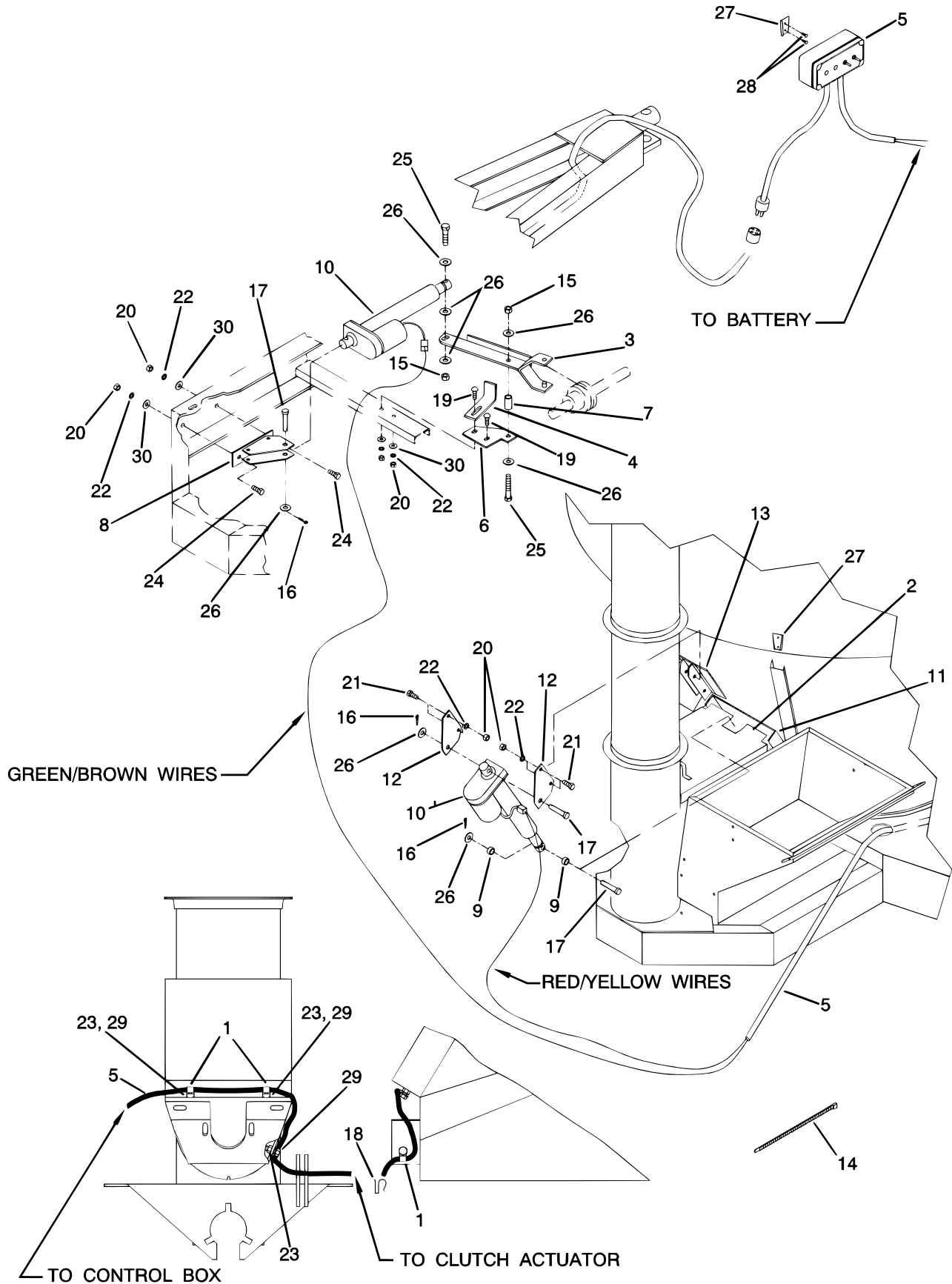
ITEM NO.	PART NUMBER	DESCRIPTION	QTY.
-1A	556670	INDICATOR, MODEL 640 - 3-WEIGHBAR/5-PIN PLUG	1
1B	556680	INDICATOR, MODEL 640XL - 3-WEIGHBAR /5-PIN PLUG	1
-1C	5173101	INDICATOR, MODEL 1040 - 3-WEIGHBAR /5-PIN PLUG	1
-1D	556690	INDICATOR, MODEL 640M - 3-WEIGHBAR /5-PIN PLUG	1
2	040611	SPINDLE, WEIGH BAR 5 PIN	2
3	219870	HITCH, WEIGH BAR 5 PIN	1
4	036740	CLEVIS, HITCH 1-7/8 INCH	1
5	036670	BRACKET, INDICATOR	1
6	023270	NUT, LOCK 1/4 INCH – 20 HEX FLANGE	
7	021240	SCREW, TRUSS HEAD 1/4-20 X 1/2	
8	219880	PLUG, 5 PIN PLUG (FOR 4 CONNECTOR INDICATORS ONLY)	1
9	036890	CLIP, SPRING	3
10	990960	BOLT, HHCS 3/4-10 X 4-1/2	
11	147310	NUT, HEX 1-8 GRADE 2	
12	003350	WASHER, LOCK 1 INCH SPLIT	
13	036800	WASHER, LOCK 3/4 INCH SPLIT	
14	036750	NUT, HEX 3/4-10 GRADE 2	
15	036780	CONNECTOR, POWER CORD (FEMALE)	
16	147060	CORD, 23 INCH DIGITAL POWER	
17	039261	BRACKET	
18	111900	LIGHT, WARNING DIGITAL	
19	111880	HORN, DIGITAL WARNING	
20	149670	TIE, NYLON CABLE 3/16 INCH X 11 INCHES	
21	039690	BOX, BATTERY	
22	135440	CLAMP, POSITIVE BATTERY	
23	135450	CLAMP, NEGATIVE BATTERY	
24	199090	ADAPTER, DUAL	
25	1727206	SPLICE KIT, WEIGH BAR CORD	
26	253210	PIGTAIL, 5 PIN WITH B CONNECTOR WITH 1 FOOT CORD	
26	253211	PIGTAIL, 5 PIN WITH B CONNECTOR WITH 10 FOOT CORD	
30	253212	PIGTAIL, 5 PIN WITH B CONNECTOR WITH 20 FOOT CORD	

SCALE ARM ASSEMBLY



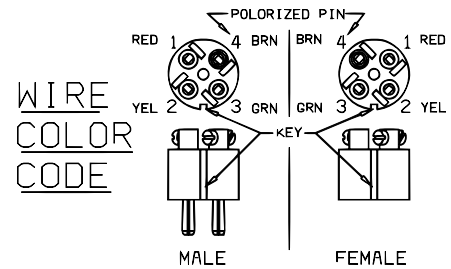
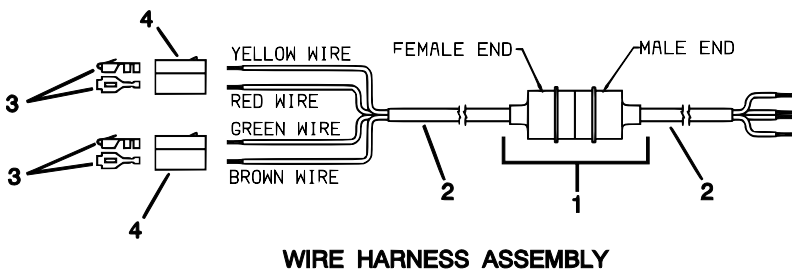
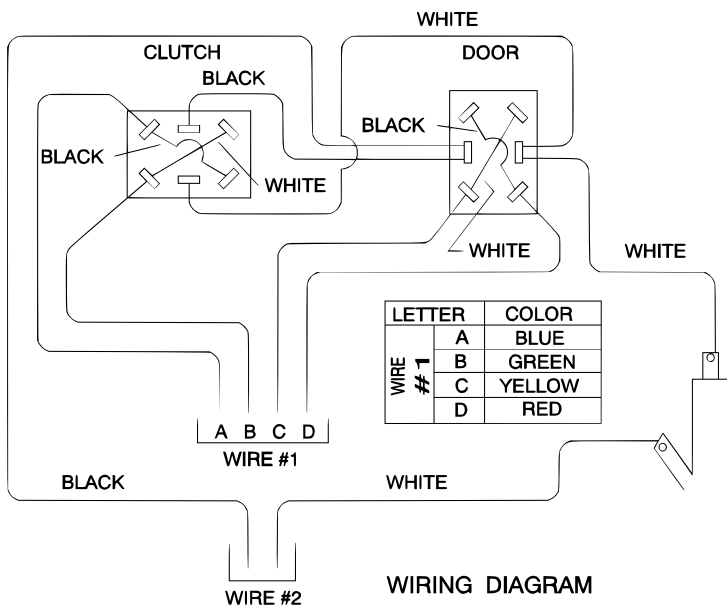
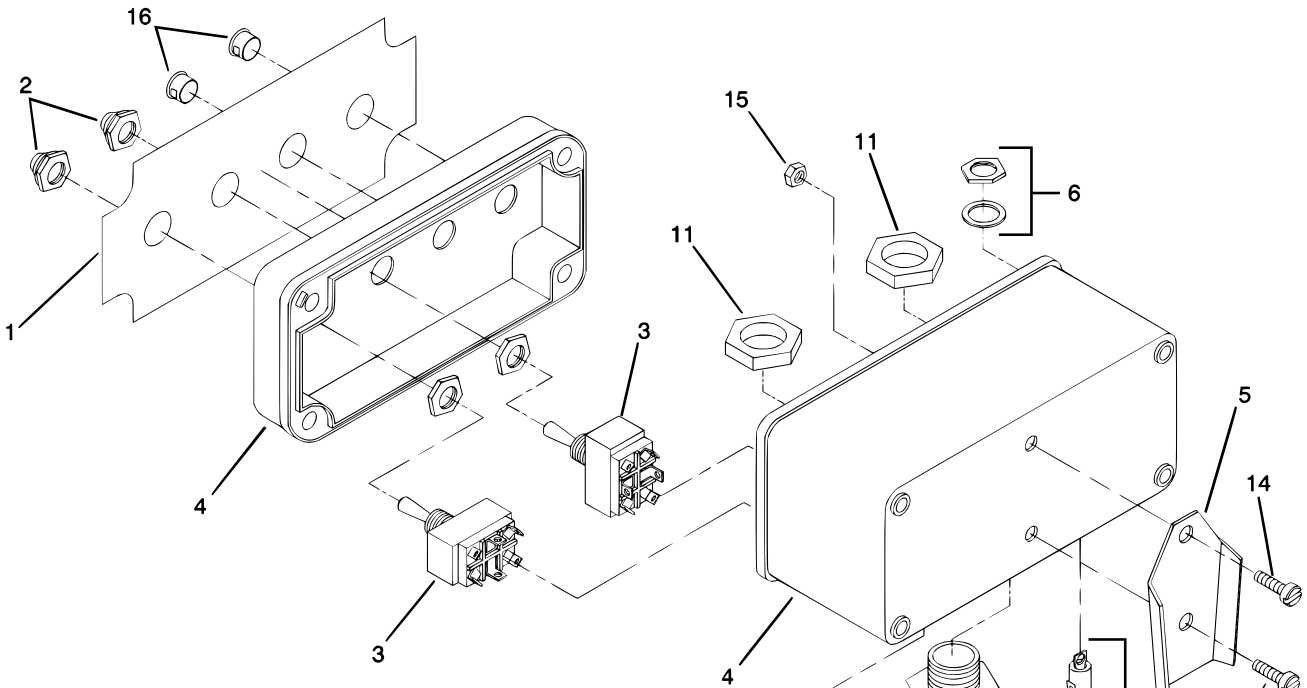
ITEM NO.	PART NUMBER	DESCRIPTION	QTY.
1	529560	ARM WLDT, SCALE PIVOT	1
2	529600	BRACKET, WLDT., SCALE PIVOT MNT	1
3	529630	BRACKET, WLDT., SCALE MTG.	1
4	400800	BLOCK, PIVOT	1
5	342890	SPRING, COMPRESSION 1 X 1.75	1
6	215160	NUT, HEX SLOTTED 1/2-20	1
7	1120396	WASHER, FLAT, 1/2 SAE	1
8	005200	WASHER, FLAT 1/2 STD ZN	1
9	E096046	BOLT, CRG 1/2-13 X 1-1/2	2
10	005370	WASHER, LOCK 1/2	2
11	005360	NUT, HEX 1/2-13	2
12	037790	BOLT, HHCS 3/8-16 X 2 GR5	2
13	023060	NUT, LOCK 3/8 HEX 2-WAY	2
14	1120394	WASHER, FLAT 3/8 SAE	4
15	115590	ZERK, 1/4-28 TAPER DRIVE	1
16	020700	PIN, COTTER 5/32 X 1	1
17	149670	TIE, NYLON CABLE 3/16 X 11	6

ELECTRIC ACTUATOR ASSEMBLY, (FOR NON-SELF CONTAINED HYDRAULIC MIXER)



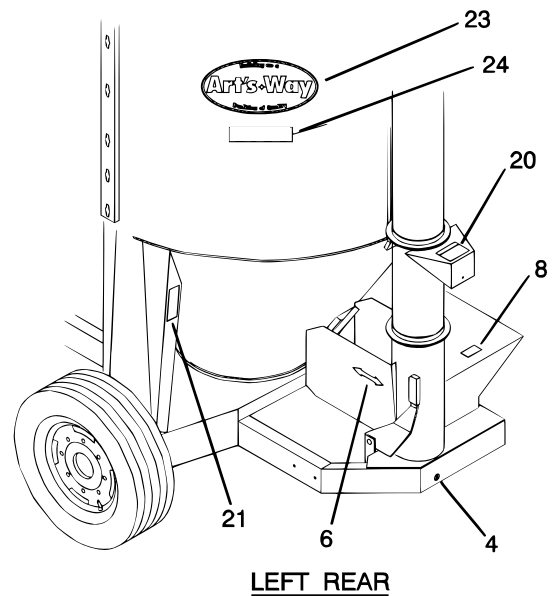
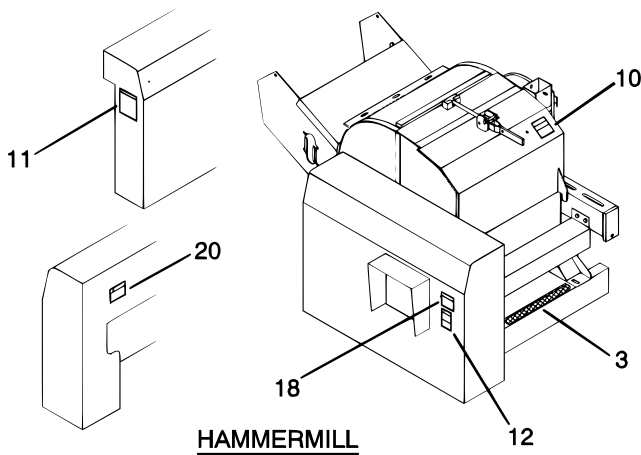
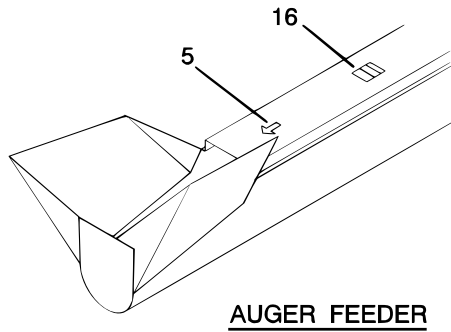
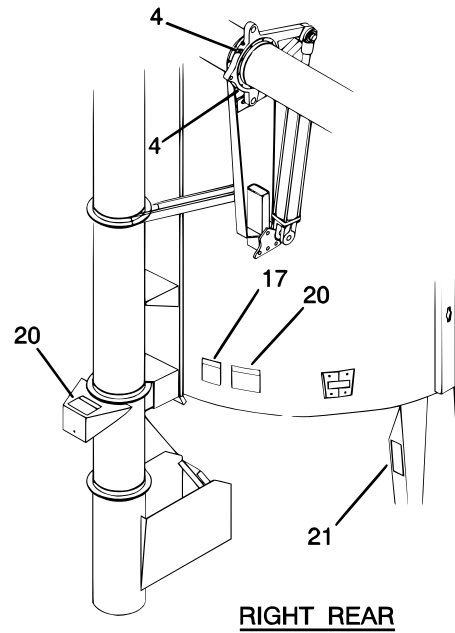
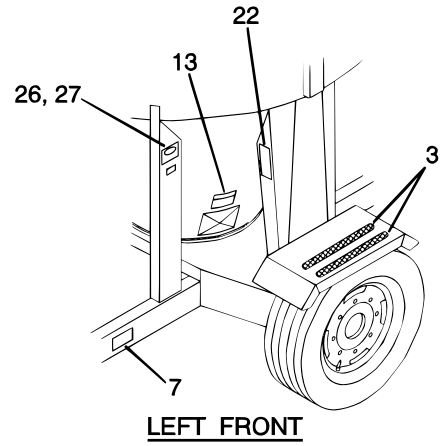
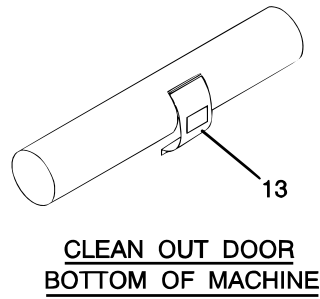
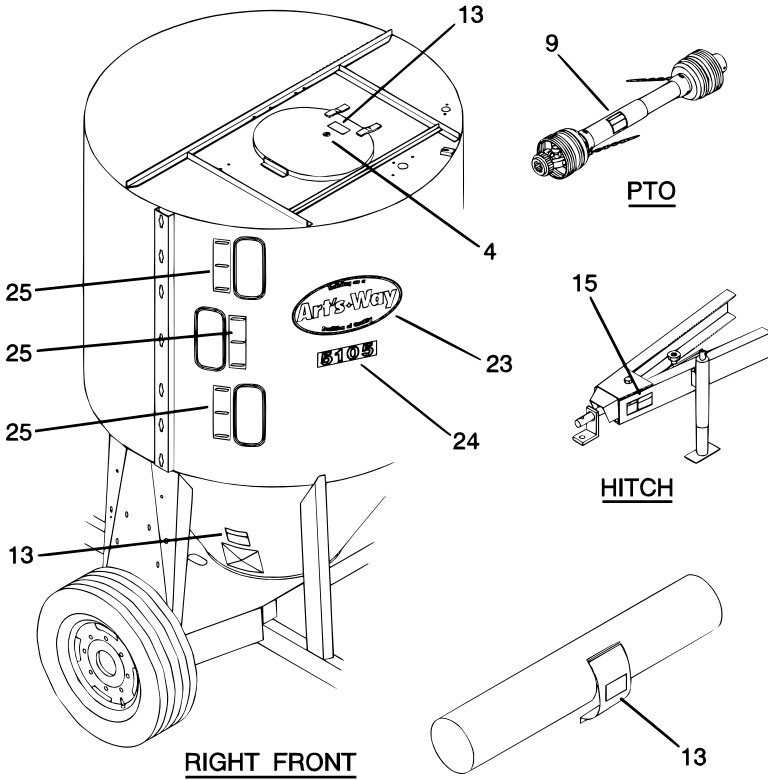
ITEM NO.	PART NUMBER	DESCRIPTION	QTY.
1	E180006	CLAMP, 0.32 GA, 3/8 INCH	3
2	274560	COVER WLDT., BACK HPPR	1
3	274260	CLUTCH ARM ASSEMBLY	1
4	274250	STOP, CLUTCH ACTUATOR	1
5	531160	REMOTE CONTROL	1
6	271270	PLATE, CLUTCH MOUNTING	1
7	271260	SPACER, CLUTCH ARM	1
8	271210	BRACKET, CLUTCH ACT MOUNT	1
9	208560	BUSHING, DISCHARGE DOOR	2
10	208550	ACTUATOR, ELECROME CH	2
11	208530	DOOR WLDT., DISCHARGE	1
12	208520	PLATE	2
13	208490	BRACKET WLDT, ANCHOR	1
14	149670	TIE, NYLON CABLE	10
15	127890	NUT, 1/2-13 HX LCK, DISTHD	2
16	124350	PIN, COTTER 1/8 X 1-1/2	3
17	1030718	PIN, 1/2 X 2-1/2 CLEVIS	3
18	036890	CLIP, SPRING	1
19	035180	BOLT, CRG 3/8-16 X 1-1/4 SSN	2
20	027260	NUT, HEX 3/8	8
21	022420	BOLT, HHCS 3/8-16 X 3/4	4
22	021180	WASHER, LOCK 3/8	8
23	020190	NUT, LOCK 5/16-18 HX FLG	3
24	170530	BOLT, CRG 3/8-16 X 1	2
25	007080	BOLT, HHCS 1/2-13 X 2-1/2	2
26	005200	WASHER, FLAT 0.56 X 1.38 X 0.109	8
27	039261	BRACKET, MOUNTING	2
28	R66468	SCREW, HWHTS 1/4-14 X 1	2
29	JN10212	SCREW, 5/16-18 X 3/4 HX FLG	3
30	I120394	WASHER, FLAT 0.406 X 0.81 X 0.051	4

CONTROL BOX & WIRE HARNESS ASSEMBLY



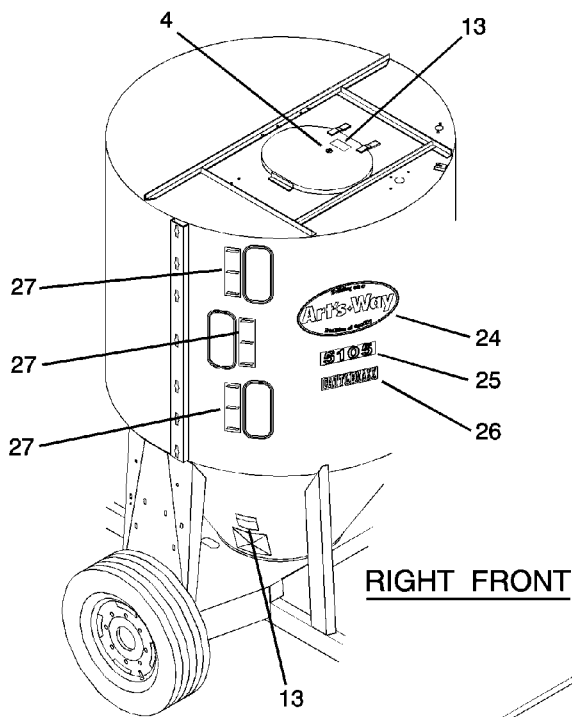
ITEM NO.	PART NUMBER	DESCRIPTION	QTY.
1	274090	DECAL, FACE PLATE	1
2	212470	SWITCH SEAL	2
3	209590	SWITCH, TOGGLE MOMENTARY DPDT	2
4	274080	ENCLOSURE, REMOTE SELF CONT. GM	1
5	346690	MTG BRACKET	1
6	W154550016	FUSE HOLDER	1
7	E292002	FUSE	1
8	346750	CONN. CORD 0.25 TO 0.31	2
9	486680	WIRE, 14/2 GPT /300V NEO B/W	6
10	531170	CORD, CONTROL REMOTE BOX	1
11	209210	LOCKNUT, 1/2 CONDUIT	2
12	962680	WIRE, 16 GA. WHITE	1
13	962690	WIRE, 16 GA. BLACK	1
14	021240	SCREW, 1/4-20 X 1/2 TH HD	2
15	023270	NUT, LOCK 1/4 INCH HEX. FLG.	2
16	343340	PLUG, DOME PLASTIC	2
ITEM NO.	PART NUMBER	DESCRIPTION	QTY.
1	447490	CONNECTOR, 4-WAY	1
2	961800	WIRE, 16/4 TRAILER W/ SAE	30 FT
3	E192016	TERMINAL, MALE 14/16 GA.	4
4	E376001	INSULATOR, CONNECTOR MALE	2

PAINT & DECALS

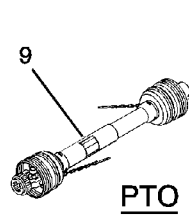


ITEM NO.	PART NUMBER	DESCRIPTION	QTY.
3	117720	TAPE, ANTI-SKID	3
4	146670	DECAL, GREASE SYMBOL	4
5	158520	DECAL, AUGER FEEDER STOP	1
6	158530	DECAL, START-STOP AUGER	1
7	159460	DECAL, VALVE DIRECTION	1
8	212350	DECAL, SUPPLEMENT INSTRUCTIONS	1
9	268860	DECAL, DANGER ROTATING DRIVE LINE	1
10	363000	DECAL, DANGER ROTATING MECHANISM	1
11	368040	DECAL, CAUTION SAFETY INSTRUCTIONS	1
12	368350	DECAL, WARNING MOVING FLYWHEEL HAZARD	1
13	377280	DECAL, CAUTION DO NOT OPEN	4
14	383320	DECAL, ATTENTION FOREIGN MATERIAL	1
15	383970	DECAL, CAUTION HITCH INSTRUCTIONS	1
16	383990	DECAL, DANGER AUGER FEEDER	1
17	384000	DECAL, DANGER ELECTROCUTION HAZARD	1
18	384030	DECAL, DANGER 565 RPM PTO	1
19	417250	DECAL, ROLLERMILL OPERATION	1
20	467450	DECAL, MOVING PART HAZARD	3
21	472450	REFLECTOR, RED	2
22	472460	REFLECTOR, AMBER	1
23	519480	DECAL, ARTSWAY LOGO 11.5 X 20 INCH	2
24A	597160	DECAL, 6105 GRINDER MIXER	2
24B	597280	DECAL, 6105H GRINDER MIXER	2
25	529400	DECAL, TANK WINDOW DASH	4
26	355500	TAG, SERIAL NO. FINISHED	1
27	204510	NAIL, 1/4 INCH GRIP	4

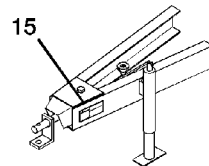
PAINT & DECALS



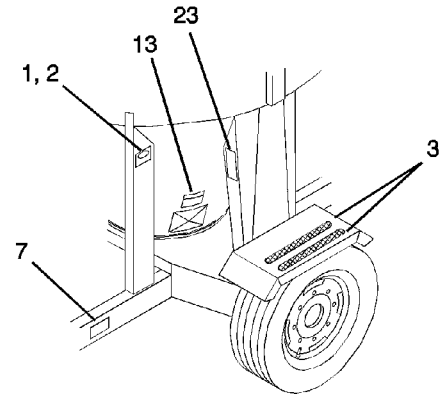
RIGHT FRONT



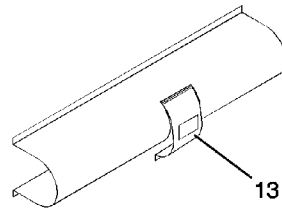
PTO



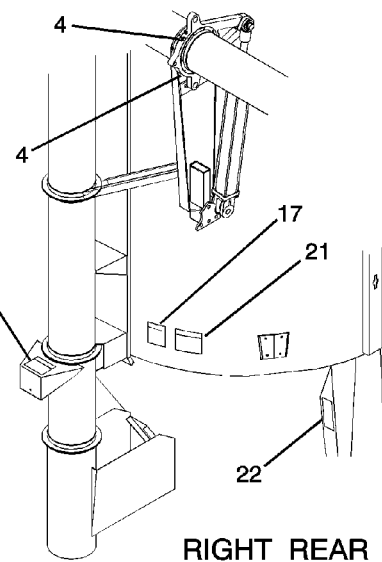
HITCH



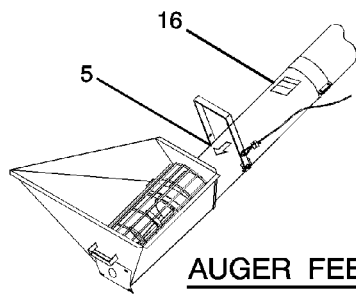
LEFT FRONT



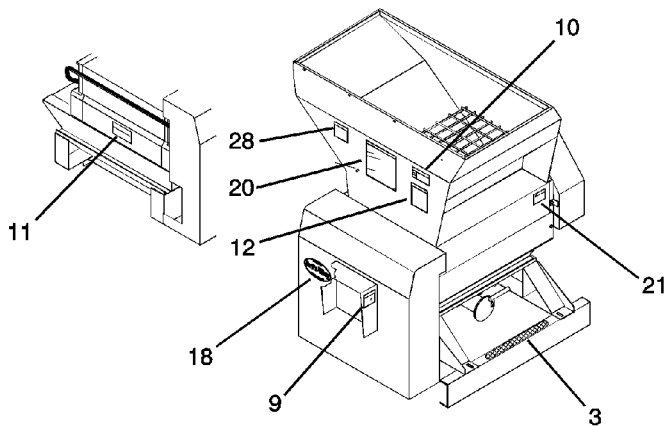
**CLEAN OUT DOOR
BOTTOM OF MACHINE**



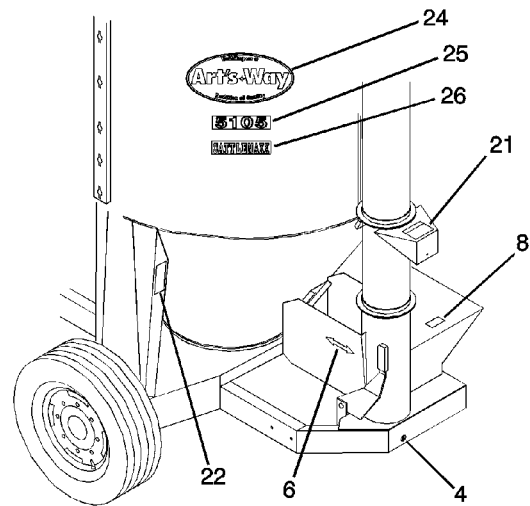
RIGHT REAR



AUGER FEEDER



ROLLERMILL



LEFT REAR

ITEM NO.	PART NUMBER	DESCRIPTION	QTY.
1	355500	TAG, SERIAL NO. FINISHED	1
2	204510	NAIL, 1/4 INCH GRIP	4
3	117720	TAPE, ANTI-SKID	3
4	146670	DECAL, GREASE SYMBOL	4
5	158520	DECAL, AUGER FEEDER STOP	1
6	158530	DECAL, START-STOP AUGER	1
7	159460	DECAL, VALVE DIRECTION	1
8	212350	DECAL, SUPPLEMENT INSTRUCTIONS	1
9	268860	DECAL, DANGER ROTATING DRIVE LINE	1
10	P99897	DECAL, WARNING ROLLS, BELTS	1
11	P99846	DECAL, ADJUSTING FEED FLOW	1
12	368040	DECAL, CAUTION SAFETY INSTRUCTIONS	1
13	377280	DECAL, CAUTION DO NOT OPEN	4
14	383320	DECAL, ATTENTION FOREIGN MATERIAL	1
15	383970	DECAL, CAUTION HITCH INSTRUCTIONS	1
16	383990	DECAL, DANGER AUGER FEEDER	1
17	384000	DECAL, DANGER ELECTROCUTION HAZARD	1
18	519500	DECAL, ART'S-WAY LOGO	1
19	384030	DECAL, DANGER 565 RPM PTO	1
20	417250	DECAL, ROLLERMILL OPERATION	1
21	467450	DECAL, MOVING PART HAZARD	3
22	476450	REFLECTOR, RED	2
23	476460	REFLECTOR, AMBER	1
24	519480	DECAL, ART'S-WAY LOGO 11.5 X 20	2
25	560210	DECAL, 5105 GRINDER MIXER	2
26	529390	DECAL, CATTLEMAXX	2
27	529400	DECAL, TANK WINDOW DASH	3
28	383320	DECAL, ATTENTION FOREIGN MATERIAL	1

NOTES:



NOTES:





Art's-Way Manufacturing Co., Inc. TECHNICAL MANUALS

Manuals are available from your local dealer or Art's-Way Manufacturing Co., Inc. for the operation, service, and repair of your machine. For prompt convenient service, contact your local dealer for assistance in obtaining the manuals for your machine.

Your local dealer can expedite your order for operator manuals, illustrated parts catalogs, service manuals, and maintenance records.

Always give the Machine Name, Model, and Serial Number so your local dealer can provide the correct manuals for your machine.

Art's-Way Manufacturing Co., Inc. reserves the right to make improvements in design or changes in specifications at any time without incurring any obligation to install them on units previously sold.

Except as expressly authorized, no part of this manual may be reproduced, copied, transmitted, disseminated, downloaded or stored in any storage medium, for any purpose without the express prior written consent of Art's-Way Manufacturing Co., Inc.

ART'S-WAY MANUFACTURING CO., INC.

HWY 9 WEST - PO Box 288

Armstrong, IA. 50514 U.S.A

© Copyright 2012

ART'S-WAY MANUFACTURING CO., INC.

All Rights Reserved